



# Florence & Hutcheson

CONSULTING ENGINEERS

Project: WBS 42834.3.1 (B-5232)  
Bridge #118 on SR 1907 over Jacob Fork River  
Burke County

**To:** Meeting Attendees

**Subject:** MINUTES OF MEETING

**Date Prepared:** November 9, 2010

**Prepared by:** Jim Mondolfi

<b>PURPOSE/DESCRIPTION:</b>		Pre-Bid Meeting
<b>DATE &amp; TIME:</b>		Wednesday, October 27, 2010 10:30 AM
<b>LOCATION:</b>		NCDOT Bridge Management Unit Large Conference Room Raleigh, North Carolina
<b>ATTENDEES</b>		
<b>Name</b>	<b>Representing</b>	<b>Telephone Number</b>
	See Meeting Roster	
Jim Mondolfi	Ko/Florence & Hutcheson, Inc.	919-851-6066

The following is my understanding of items discussed:

- 1) On Page 8 of the Proposal under Section H, "Traffic Control", add statement "The Contractor will be responsible for stripping and all pavement markings". Cost of stripping and pavement markings shall be included in the lump sum price bid for Item "Generic Traffic Control".
- 2) Item "Generic Traffic Control" is added to the contract. A revised bid sheet is attached.
- 3) On Page 9 of the Proposal under Section N, Paragraph 1, the Engineer for this project will be Mr. Gary Moore.
- 4) On Page 17 of the Proposal under "Good Faith Effort for Projects with Goals More Than Zero", submit only one copy of the DBE information required to the Bridge Management office.

- 5) The Contractor will remove and salvage the existing steel beams, diaphragms, approach guardrails and guardrail posts, three beam bridge rails and bridge rail posts to the Division. The steel will be delivered to the Burke County maintenance yard located at 3852 Highway 226 South, Marion, NC, 28752. Contact Ken Anderson. Phone #828-652-2939.
- 6) On Plan Sheet 5 of 30, detail "Location of Anchors For Guardrail" the dimension 6'-8 1/4" is revised to 7'-5 3/4". A revised drawing is attached.

JEM/

## Revised 10-29-10

LINE NO.	ITEM NO.	SEC. NO.	DESCRIPTION	QUANTITY	UNIT COST	AMOUNT
14.	2577000000-N	846	CONCRETE EXPRESSWAY GUTTER	155 LIN. FT.	_____	_____
15.	2619000000-E	850	4" CONCRETE PAVED DITCH	4 SY	_____	_____
16.	3030000000-E	862	STEEL BEAM GUARDRAIL	200 LIN. FT.	_____	_____
17.	3150000000-N	862	ADDITIONAL GUARDRAIL POSTS	5 EACH	_____	_____
18.	3270000000-N	SP	GUARDRAIL ANCHOR UNIT, TYPE 350	4 EACH	_____	_____
19.	3317000000-N	862	GUARDRAIL ANCHOR UNIT, TYPE B-77	4 EACH	_____	_____
20.	3656000000-E	876	FILTER FABRIC FOR DRAINAGE	1530 SY.	_____	_____
21.	4589000000-N	1101	GENERIC TRAFFIC CONTROL ITEM	LS	_____ <u>LS</u> _____	_____
22.	6000000000-E	1605	TEMPORARY SILT FENCE	1500 LIN.FT.	_____	_____
23.	6006000000-E	1610	STONE FOR EROSION CONTROL, CLASS A	225 TONS	_____	_____
24.	6009000000-E	1610	STONE FOR EROSION CONTROL, CLASS B	170 TONS	_____	_____
25.	6012000000-E	1610	SEDIMENT CONTROL STONE	250 TONS	_____	_____
26.	6024000000-E	1622	TEMPORARY SLOPE DRAINS	200 LIN.FT.	_____	_____
27.	6027000000-N	1622	INLET PROTECTION FOR TEMPORARY SLOPE DRAINS	4 EACH	_____	_____
28.	6029000000-E	SP	SAFETY FENCE	900 LIN. FT.	_____	_____
29.	6030000000-E	1630	SILT EXCAVATION	230 CY	_____	_____

**Revised 10-29-10**

LINE NO.	ITEM NO.	SEC. NO.	DESCRIPTION	QUANTITY	UNIT COST	AMOUNT
30.	6036000000-E	1631	MATTING FOR EROSION CONTROL	7500 S.Y.	_____	_____
31.	6042000000-E	1630	¼" HARDWARE CLOTH	90 LIN.FT.	_____	_____
32.	6070000000-N	SP	SPECIAL STILLING BASIN	8 EACH	_____	_____
33.	6071030000-E	SP	COIR FIBER BAFFLE	30 LIN.FT.	_____	_____
34.	6133000000-E	800	GENERIC EROSION CONTROL ITEM	LS	<u>LS</u>	_____
35.	8035000000-N	402	REMOVAL OF EXISTING STRUCTURES	LS	<u>LS</u>	_____
36.	8210000000-N	422	BRIDGE APPROACH SLABS	LS	<u>LS</u>	_____
37.	8365000000-E	SP	HP12X53 GALVANIZED STEEL PILES	140 LIN.FT.	_____	_____
38.	8391000000-E	SP	STEEL PILE POINTS FOR HP 12 X 53 STEEL PILES	7 EACH	_____	_____
39.	8594000000-E	876	PLAIN RIP RAP, CLASS B	3 TON	_____	_____
40.	8608000000-E	876	RIP RAP, CLASS II	630 TON	_____	_____
41.	8765000000-N	SP	CONSTR. OF SUBSTRUCTURE	LS	<u>LS</u>	_____
42.	8766000000-N	SP	CONSTR. OF SUPERSTRUCTURE	LS	<u>LS</u>	_____

TOTAL PROJECT BID \_\_\_\_\_

NOTES

THE GUARDRAIL ANCHOR ASSEMBLY SHALL CONSIST OF A 1/4" HOLD DOWN PLATE AND 3/8" Ø BOLTS WITH NUTS AND WASHERS, RUBRAIL, AND ADHESIVELY ANCHORED BOLTS.

THE HOLD-DOWN PLATE SHALL CONFORM TO AASHTO M270 GRADE 36. AFTER FABRICATION, THE HOLD-DOWN PLATE SHALL BE HOT-DIP GALVANIZED IN ACCORDANCE WITH AASHTO M111.

BOLTS SHALL CONFORM TO THE REQUIREMENTS OF ASTM A307 AND NUTS SHALL CONFORM TO THE REQUIREMENTS OF AASHTO M291. BOLTS, NUTS AND WASHERS SHALL BE GALVANIZED. (AT THE CONTRACTOR'S OPTION, STAINLESS STEEL BOLTS, NUTS AND WASHERS MAY BE USED AS AN ALTERNATE FOR THE 3/8" Ø GALVANIZED BOLTS, NUTS AND WASHERS. THEY SHALL CONFORM TO OR EXCEED THE MECHANICAL REQUIREMENTS OF ASTM A307. THE USE OF THIS ALTERNATE SHALL BE APPROVED BY THE ENGINEER.)

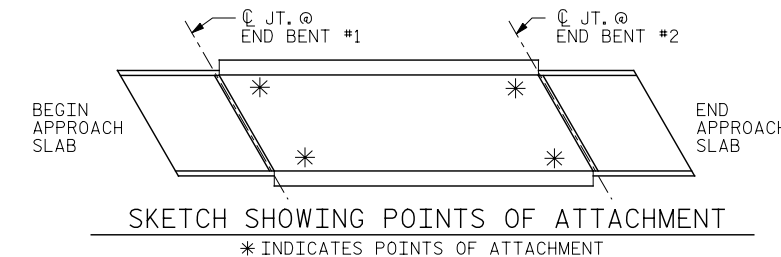
THE GUARDRAIL ANCHOR ASSEMBLY IS REQUIRED AT ALL POINTS WHERE APPROACH GUARDRAIL IS TO BE ATTACHED TO THE END OF CONCRETE BARRIER RAIL OR CONCRETE END POSTS. FOR POINTS OF ATTACHMENT, SEE SKETCH.

AFTER INSTALLATION, THE EXPOSED THREAD OF THE BOLT SHALL BE BURRED WITH A SHARP POINTED TOOL.

THE COST OF THE GUARDRAIL ANCHOR ASSEMBLY SHALL BE INCLUDED IN THE UNIT CONTRACT PRICE BID FOR GUARDRAIL ANCHOR UNIT, TYPE B-77.

THE 1 1/4" Ø HOLES SHALL BE FORMED OR DRILLED WITH A CORE BIT. IMPACT TOOLS WILL NOT BE PERMITTED. ANY CONCRETE DAMAGED BY THIS WORK SHALL BE REPAIRED TO THE SATISFACTION OF THE ENGINEER.

THE C6 X 8.2 RUBRAIL IS TO BE ADHESIVELY ANCHORED TO THE RAIL USING THREE 3/4" Ø X 6" BOLTS WITH WASHERS. LEVEL ONE FIELD TESTING IS REQUIRED, AND THE YIELD LOAD OF THE 3/4" Ø BOLT IS 12 KIPS. FOR ADHESIVELY ANCHORED ANCHOR BOLTS OR DOWELS, SEE SPECIAL PROVISIONS. SEE ROADWAY STANDARD 862.03 FOR DETAILS AND LOCATION OF THE RUBRAIL.



SKETCH SHOWING POINTS OF ATTACHMENT  
\* INDICATES POINTS OF ATTACHMENT

1 DIMENSION REVISED

PROJECT NO. 42834  
COUNTY: BURKE  
STATION: 17+35.00  
REPLACES BRIDGE NO. 118

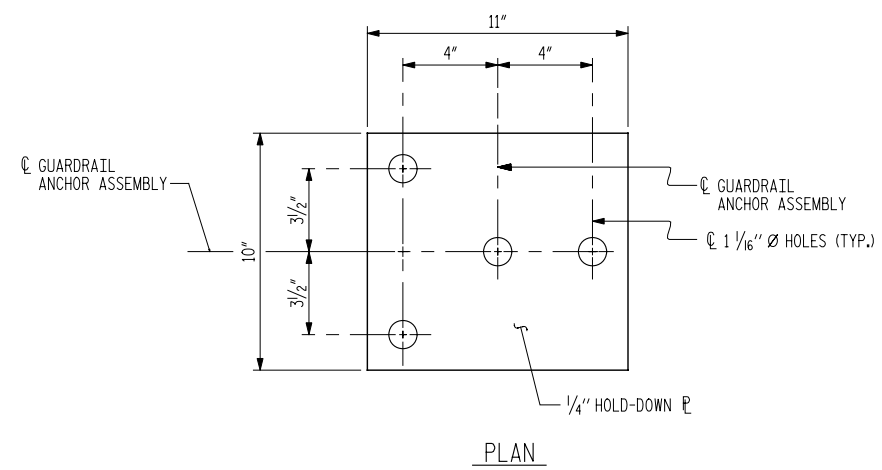
STATE OF NORTH CAROLINA  
DEPARTMENT OF TRANSPORTATION  
RALEIGH  
SUPERSTRUCTURE  
GUARDRAIL ANCHORAGE  
DETAILS

THIS DOCUMENT ORIGINALLY ISSUED AND SEALED BY: JAMES E. MONDOLFI, P.E., (REGISTRATION NO. 20532) ON 02/09/10.

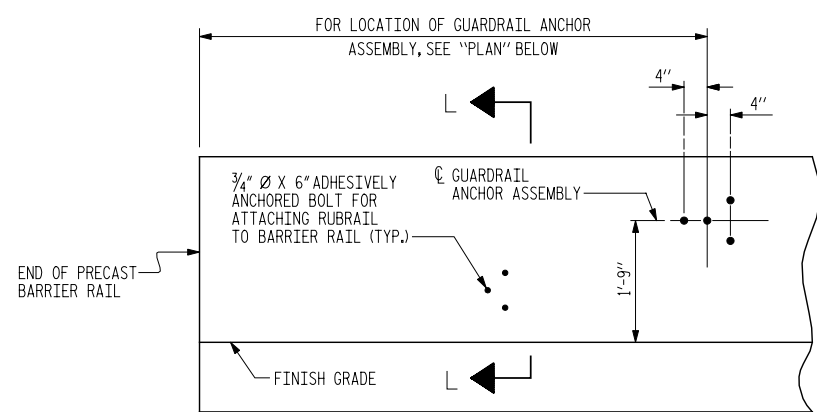
REVISIONS						SHEET NO. 5
NO.	BY	DATE	NO.	BY	DATE	
1	JEM	11/9/10	3			TOTAL SHEETS 30
2			4			

**FH** Florence & Hutcheson  
CONSULTING ENGINEERS  
5121 Kingdom Way, Suite 100 Raleigh, NC 27607  
NC License No: F-0268

NOT TO SCALE

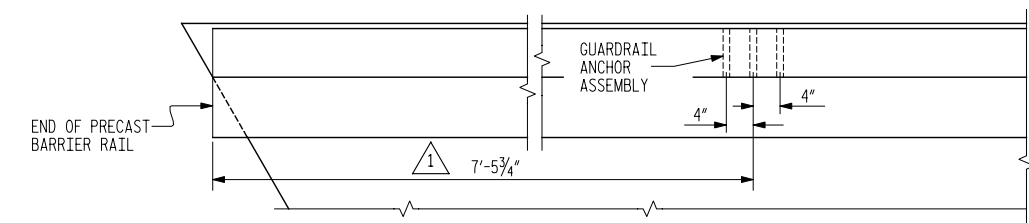


PLAN



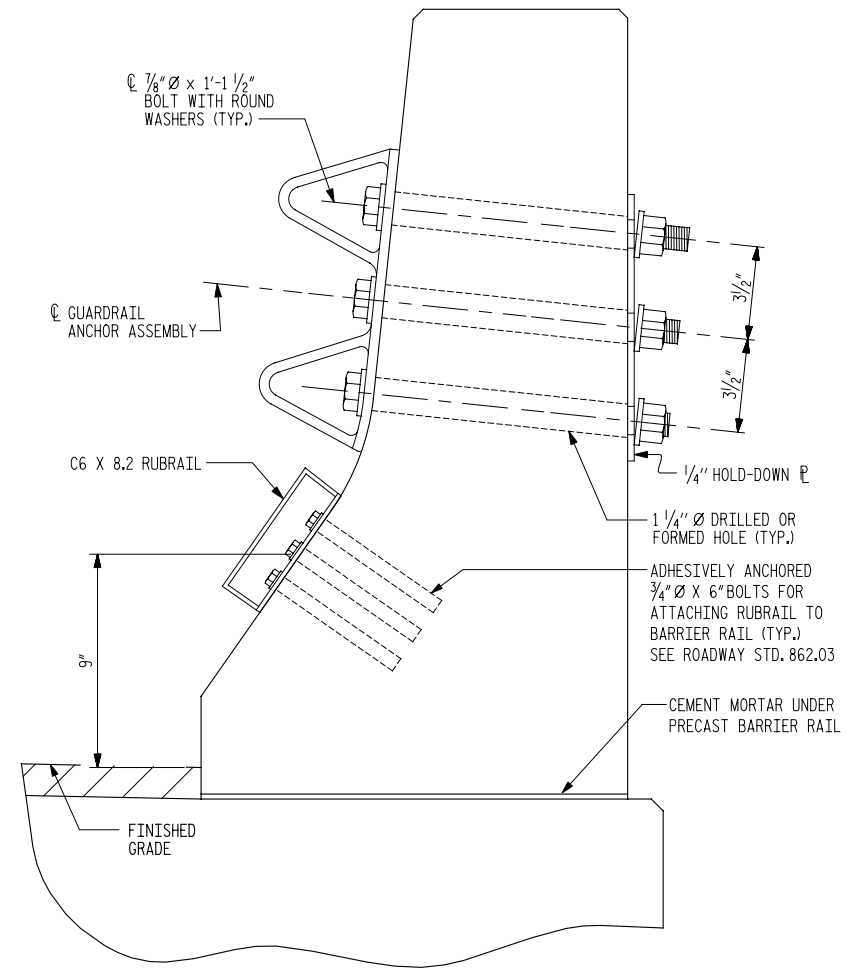
ELEVATION

FOR LOCATION OF RUBRAIL, SEE ROADWAY STD. 862.03



PLAN  
LOCATION OF ANCHORS FOR GUARDRAIL

FOR CONCRETE BARRIER RAIL ONLY  
ABUTMENT #1 SHOWN, ABUTMENT #2 SIMILAR



SECTION L-L

GUARDRAIL ANCHOR ASSEMBLY DETAILS  
FOR CONCRETE BARRIER RAIL ONLY  
(FOR LOCATION OF GUARDRAIL ANCHOR ASSEMBLY, SEE THIS SHEET)

FILE NAME: P:\CHECK\Drawings\Burke-118\1180808\Structures\118-ans.dwg

DRAWN BY: B.L. MARIOTTE DATE: DEC 2009  
CHECKED BY: J.E. MONDOLFI DATE: DEC 2009

PLOT: 11/9/2010

1107148 AM Florence & Hutcheson, Inc.

**OFFICIAL ROSTER OF PRE-BID CONFERENCE ATTENDEES  
NCDOT- BRIDGE MANAGEMENT UNIT -POC**

DATE: Wednesday, Oct. 27, 2010  
TIME: 10:00 a.m.

**BRIDGE REPLACEMENT CONTRACTS:**

- 1. Cumberland Co. Br. # 11, DO00087 (BK-5110)
- 2. Montgomery Co. Br. # 90, DO00088 (BK-5112)
- ③ Burke Co. Br. # 118, DO00055 (BK-5232)
- ④ Rutherford Co. Br. #217, D000080 (B-4262)

\* CIRCLE THE NUMBER CORRESPONDING TO THE PROJECT THAT YOU PLAN TO BID ON.

NAME	*PROJECT	COMPANY REPRESENTED AND ADDRESS	CONTACT INFORMATION
PETE CAMP	<ul style="list-style-type: none"> <li>1</li> <li>2</li> <li>③</li> <li>4</li> <li>5</li> </ul>	Apple Tack Assoc. P.O. 904 Rutherfordton N.C.	Email: _____ Phone: 828-287-3767 Fax: _____
Browder Shelton	<ul style="list-style-type: none"> <li>①</li> <li>2</li> <li>3</li> <li>4</li> <li>5</li> </ul>	TCB BUILDERS LLC P.O. Box 1625 Lexington NC 27293	Email: TCBBuilders@AOL.com Phone: 336-224-2200 Fax: 336-224-2299
Clark Ledbetter	<ul style="list-style-type: none"> <li>1</li> <li>2</li> <li>③</li> <li>4</li> <li>5</li> </ul>	Clark Ledbetter Gradco - Hauling Inc. 1506 Gates Rd S/W/MS	Email: CLedbetter3@Carolina Phone: 704-472-2185 Fax: 704-434-5906
Kenny Brady	<ul style="list-style-type: none"> <li>①</li> <li>2</li> <li>3</li> <li>4</li> <li>5</li> </ul>	Sanford Contractors, Inc. 629 Rocky Fork Church Rd. Sanford, N.C. 27332	Email: kbrady@sanfordcontractors.com Phone: 919-775-7882 Fax: 919-775-3406
ARTHUR HARELL	<ul style="list-style-type: none"> <li>1</li> <li>2</li> <li>③</li> <li>4</li> <li>5</li> </ul>	Country Boy Landscaping PO Box 290 Harmony NC 28034	Email: Seed4u@bellsouth Phone: 704-902-0155 Fax: 704-904-3432
Erick Frazier	<ul style="list-style-type: none"> <li>①</li> <li>2</li> <li>3</li> <li>4</li> <li>5</li> </ul>	S.T. Wooten Corp P.O. Box 2408 Wilson, NC 27894	Email: ERICK@STWCORP.COM Phone: 252-291-5165 Fax: 252-293-0901



**OFFICIAL ROSTER OF PRE-BID CONFERENCE ATTENDEES  
NCDOT- BRIDGE MANAGEMENT UNIT -POC**

DATE: Wednesday, Oct. 27, 2010  
TIME: 10:00 a.m.

**BRIDGE REPLACEMENT CONTRACTS:**

- |   |  |
|---|--|
| 1. Cumberland Co. Br. # 11, DO00087 (BK-5110) | 4. Rutherford Co. Br. #217, D000080 (B-4262) |
| 2. Montgomery Co. Br. # 90, DO00088 (BK-5112) |  |
| 3. Burke Co. Br. # 118, DO00055 (BK-5232)     |  |

**\* CIRCLE THE NUMBER CORRESPONDING TO THE PROJECT THAT YOU PLAN TO BID ON.**

NAME	*PROJECT	COMPANY REPRESENTED AND ADDRESS	CONTACT INFORMATION
PETE WERNER	1 2 3 4 5	DAVE CONST. INC PO Box 800 MOORESVILLE NC 28115	Email: <u>DETECT@DAVECONST.MOORESVILLE.COM</u> Phone: <u>704-664-5042</u> Fax: <u>704-663-2475</u>
Joe Hollis	1 2 3 4 5	United Contractors Inc of Iowa 7562 High Rd Sims NC 27880 P.O. Box 347 Johnston Iowa 50131	Email: <u>joe.hollis@unitedcontractors.net</u> Phone: <u>515-577-4776</u> Fax: <u>515-276-3053</u>
Jim Mondolfi	1 2 3 4 5	FLORENCE & HUTCHESON, INC 5121 KINGDOM WAY, SUITE 100 RALEIGH, NC 27607	Email: <u>Jmondolfi@fhut.com</u> Phone: <u>919-851-6066</u> Fax: <u>919-851-6846</u>
BRANDON SHORE	1 2 3 4 5	DAVIE GRADING INC. 1623 US HWY 158 MOCKSVILLE, NC 27028	Email: <u>DAVIEGRADING@YADTEL.NET</u> Phone: <u>336-751-0022</u> Fax: <u>336-751-1022</u>
Michael Moore	1 2 3 4 5	Palmetto Infrastructure Inc. 10535 Baverille Rd Greer SC 29651	Email: <u>graniff@palmettoii.com</u> Phone: <u>864-879-2166</u> Fax: <u>864-879-2167</u>
DAVID SIMPSON	1 2 3 4 5	SIMPSON ENGINEERS & ASSOCIATES 5520 DILLARD DRIVE SUITE 120 CARY, NC 27518	Email: <u>DSIMPSON@SIMPSONENGR.COM</u> Phone: <u>919-852-0468</u> Fax: <u>919-852-0598</u>



**OFFICIAL ROSTER OF PRE-BID CONFERENCE ATTENDEES  
NCDOT- BRIDGE MANAGEMENT UNIT-POC**

DATE: Wednesday, Oct. 27, 2010  
TIME: 10:00 a.m.

**BRIDGE REPLACEMENT CONTRACTS:**

- |   |  |
|---|--|
| <ol style="list-style-type: none"> <li>1. Cumberland Co. Br. # 11, DO00087 (BK-5110)</li> <li>2. Montgomery Co. Br. # 90, DO00088 (BK-5112)</li> <li>3. Burke Co. Br. # 118, DO00055 (BK-5232)</li> </ol> | <ol style="list-style-type: none"> <li>4. Rutherford Co. Br. #217, D000080 (B-4262)</li> </ol> |
|---|--|

\* CIRCLE THE NUMBER CORRESPONDING TO THE PROJECT THAT YOU PLAN TO BID ON.

NAME	*PROJECT	COMPANY REPRESENTED AND ADDRESS	CONTACT INFORMATION
HORRY PARKER	<input checked="" type="radio"/> 1 <input type="radio"/> 2 <input type="radio"/> 3 <input type="radio"/> 4 <input type="radio"/> 5	Cape Roman Contracting, Inc. 612 Cape Roman Road Wando, SC. 29492	Email: <u>horry@caperomancontracting.com</u> Phone: <u>843-884-5167</u> Fax: <u>843-884-0516</u>
Mike Miller	<input type="radio"/> 1 <input type="radio"/> 2 <input type="radio"/> 3 <input checked="" type="radio"/> 4 <input type="radio"/> 5	Miller Engineering Co. Inc PO Box 1048 Marion, NC 29752	Email: _____ Phone: <u>828-738-8441</u> Fax: <u>828-738-8440</u>
GARRY MOORE	<input type="radio"/> 1 <input type="radio"/> 2 <input checked="" type="radio"/> 3 <input checked="" type="radio"/> 4 <input type="radio"/> 5	NCDOT DIV 13 BRIDGES	Email: <u>GMOORE@NCDOT.GOV</u> Phone: <u>828-298-1128</u> Fax: <u>828-299-0654</u>
Carl Washburn	<input type="radio"/> 1 <input type="radio"/> 2 <input type="radio"/> 3 <input type="radio"/> 4 <input checked="" type="radio"/> 5	Concrete Construction PO Box 550 587 Rock Road Blairsville Ga. 30514	Email: _____ Phone: <u>706 745 6239</u> Fax: <u>706 745 9582</u>
Troy Wilson	<input type="radio"/> 1 <input type="radio"/> 2 <input type="radio"/> 3 <input type="radio"/> 4 <input checked="" type="radio"/> 5	NCDOT DIV 13	Email: <u>tswilson@ncdot.gov</u> Phone: <u>828-298-1128</u> Fax: <u>828-299-0654</u>
L.L. "SONNY" UPDE	<input checked="" type="radio"/> 1 <input type="radio"/> 2 <input type="radio"/> 3 <input type="radio"/> 4 <input type="radio"/> 5	NCDOT DIV 6	Email: <u>LUPDE@NCDOT</u> Phone: <u>910-829-6345</u> Fax: <u>910-829-6349</u>





**OFFICIAL ROSTER OF PRE-BID CONFERENCE ATTENDEES  
NCDOT- BRIDGE MANAGEMENT UNIT -POC**

DATE: Wednesday, Oct. 27, 2010  
TIME: 10:00 a.m.

**BRIDGE REPLACEMENT CONTRACTS:**

- |   |  |
|---|--|
| 1. Cumberland Co. Br. # 11, DO00087 (BK-5110) | 4. Rutherford Co. Br. #217, D000080 (B-4262) |
| 2. Montgomery Co. Br. # 90, DO00088 (BK-5112) |  |
| 3. Burke Co. Br. # 118, DO00055 (BK-5232)     |  |

**\* CIRCLE THE NUMBER CORRESPONDING TO THE PROJECT THAT YOU PLAN TO BID ON.**

NAME	*PROJECT	COMPANY REPRESENTED AND ADDRESS	CONTACT INFORMATION
Kevin Austin	1 2 3 4 5	Mulkey Engineers + Consultants 6750 Tryon Rd Cary, NC	Email: <u>kaustina@mulkeyinc.com</u> Phone: <u>(919) 858-1790</u> Fax: <u>(919) 851-1918</u>
KEVIN BURNS	① ② ③ ④ 5	REBURNS + SONS STATESVILLE NC	Email: <u>kevin@reburns.com</u> Phone: _____ Fax: <u>704 924 8607</u>
Frank Fulp	① ② ③ ④ 5	Smith-Rowe, Inc. 639 Old US 52 South Mount Airy, NC 27030	Email: <u>ffulp@triad.rr.com</u> Phone: <u>336-789-8221</u> Fax: <u>336-789-6807</u>
Gary Eisner	1 2 ③ ④ 5	JK Vannoy & Son's 1608 HW 221 N Jefferson NC 28640	Email: <u>Gary.Eisner@jkvanvogy.com</u> Phone: <u>336-846-2191</u> Fax: <u>336-846-7112</u>
MICHAEL G. PHILLIPS	1 2 3 4 5	NCDOT - Div. 8	Email: <u>mphilips@ncdot.gov</u> Phone: <u>910-944-7554</u> Fax: _____
Philip Creasman	1 2 3 4 5	Taylor + Murphy Construction PO BOX 6215 ASHEVILLE NC 28812	Email: <u>pcreasman@taylorandmurphy.com</u> Phone: <u>828-667-4526</u> Fax: <u>828-667-1770</u>



**OFFICIAL ROSTER OF PRE-BID CONFERENCE ATTENDEES  
NCDOT- BRIDGE MANAGEMENT UNIT -POC**

DATE: Wednesday, Oct. 27, 2010  
TIME: 10:00 a.m.

**BRIDGE REPLACEMENT CONTRACTS:**

- |   |  |
|---|--|
| 1. Cumberland Co. Br. # 11, DO00087 (BK-5110) | 4. Rutherford Co. Br. #217, D000080 (B-4262) |
| 2. Montgomery Co. Br. # 90, DO00088 (BK-5112) |  |
| 3. Burke Co. Br. # 118, DO00055 (BK-5232)     |  |

**\* CIRCLE THE NUMBER CORRESPONDING TO THE PROJECT THAT YOU PLAN TO BID ON.**

NAME	*PROJECT	COMPANY REPRESENTED AND ADDRESS	CONTACT INFORMATION
Mikel Garren	1 2 3 4 5	31 Airport RD Whitville NC	Email: <u>MGarrell@NCDOT.Gov</u> Phone: <u>910 642 4388</u> Fax: _____
Kevin Worley	1 2 3 4 5	31 Airport RD Whitville NC	Email: <u>KSWorley@NCDOT.Gov</u> Phone: <u>910-642-4388</u> Fax: _____
Wesley Wokusch	1 2 3 4 5	3105 Chapel Hill Road Raleigh, NC 27667 Fred Smith Company	Email: <u>Wesley.Wokusch@fredsmith.com</u> Phone: <u>(919) 868-3294</u> Fax: <u>919 582-3563</u>
Tommy Penninger	1 2 3 4 5	Bryant's land & Devl, 157 Depot St Burnesville NC.	Email: <u>AMBRYANT@INDUSTRIAL</u> Phone: <u>(828) 678-9966</u> Fax: <u>(828) 678-9708</u>
—	1 2 3 4 5	—	Email: _____ Phone: _____ Fax: _____
—	1 2 3 4 5	—	Email: _____ Phone: _____ Fax: _____