



STATE OF NORTH CAROLINA
DEPARTMENT OF TRANSPORTATION

ROY COOPER
GOVERNOR

J. ERIC BOYETTE
SECRETARY

June 15, 2023

Addendum No. 2

RE: Contract # C204838

WBS # 39062.3.2

STATE FUNDED

Edgecombe County (U-4424)

NC-111 (WILSON ST) FROM US-64 ALT (WESTERN BLVD) TO NC-122 (MCNAIR RD) IN TARBORO.

June 20, 2023 Letting

To Whom It May Concern:

Reference is made to the proposal and plans furnished to you on this project.

The following revision has been made to the Structures Plans.

Sheet No.	Revision
S-1	Boxed note with double asterisks on the right side of the sheet has been revised to allow for the use of steel sheet piling.

Please void the above listed Sheet in your Plans and staple the revised Sheet thereto.

The contract will be prepared accordingly.

Sincerely,

DocuSigned by:
Ronald Elton Davenport, Jr.
F81B6038A47A442...

Ronald E. Davenport, Jr., PE
State Contract Officer

RED/cms
Attachments

Mailing Address:
NC DEPARTMENT OF TRANSPORTATION
CONTRACT STANDARDS AND DEVELOPMENT
1591 MAIL SERVICE CENTER
RALEIGH, NC 27699-1591

Telephone: (919) 707-6900
Fax: (919) 250-4127
Customer Service: 1-877-368-4968

Location:
1020 BIRCH RIDGE DR.
RALEIGH, NC 27610

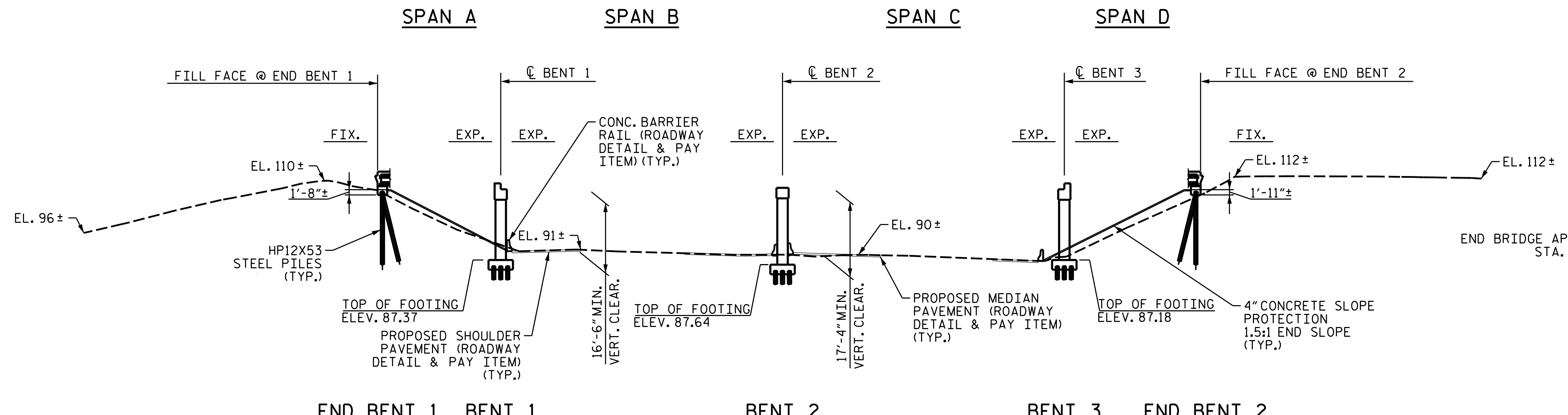
Website: www.ncdot.gov

cc: Mr. Boyd Tharrington, PE
Mr. Keith Eason, PE
Mr. Ken Kennedy, PE
Mr. Mike Gwyn
Project File (2)

Mr. Forrest Dungan, PE
Ms. Jaci Kincaid
Mr. Jon Weathersbee, PE

64+00 +50 65+00 +50 66+00 +50 67+00 +50 68+00 +50

NOTES
FOR GENERAL NOTES, SEE SHEET 3 OF 3.



BEGIN BRIDGE APPROACH SLAB
STA. 64+94.20 -L-
EL. 112.36

(+)4.4349% (-)0.7475%

PI STA = 63+35.00 -L-
EL = 111.16
VC = 310'

(-)0.9968% (-)4.1104%

PI STA = 69+10.00 -L-
EL = 110.86
VC = 300'

GRADE DATA -L-

END BRIDGE APPROACH SLAB
STA. 67+59.79 -L-
EL. 112.36

CL JOINT @ BENT 2

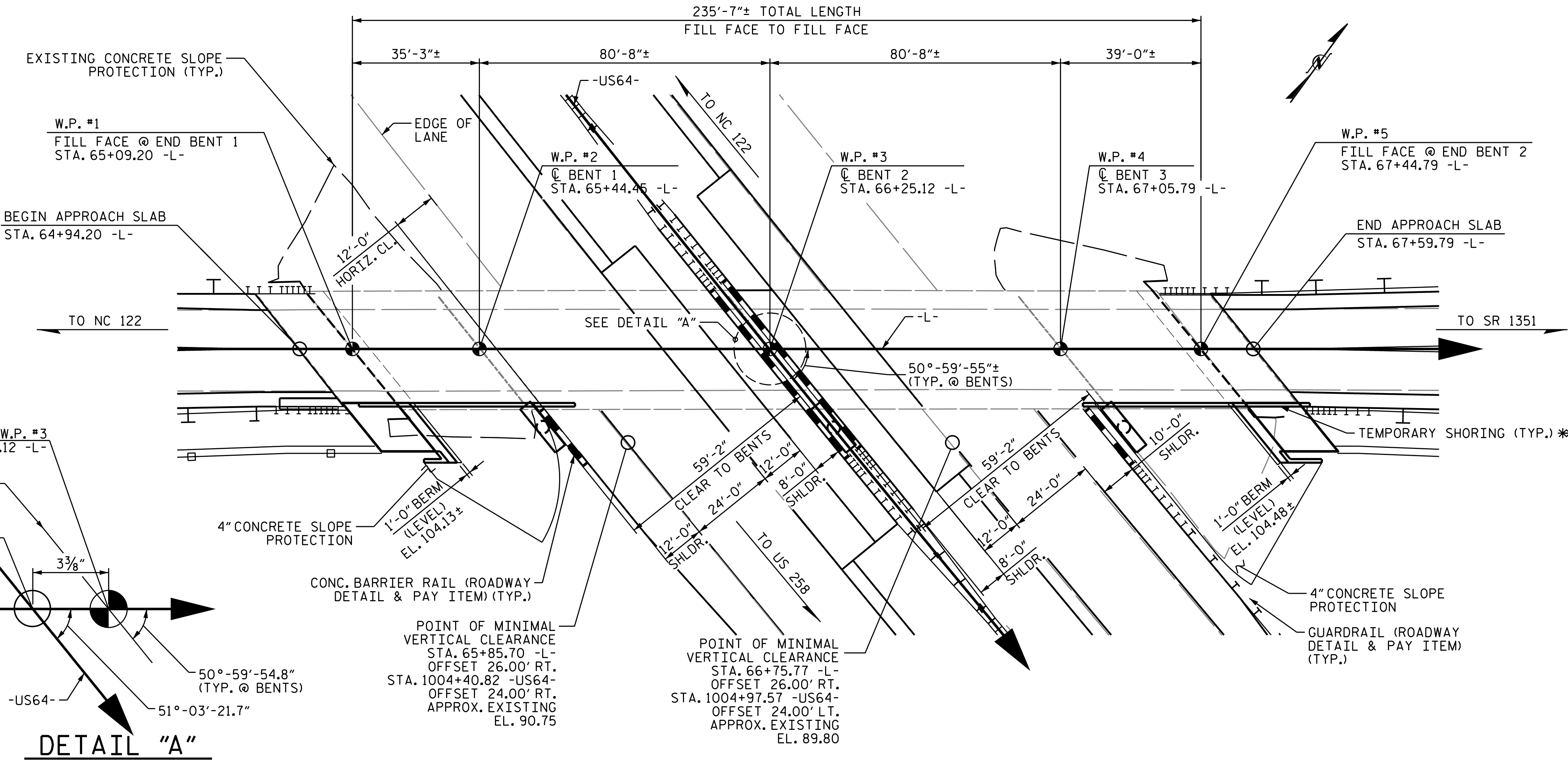
(+)4.000% (-)4.000%

VC = 760'

EXISTING GRADE DATA -L-
(FOR INFORMATION ONLY
FROM EXISTING BRIDGE PLANS)

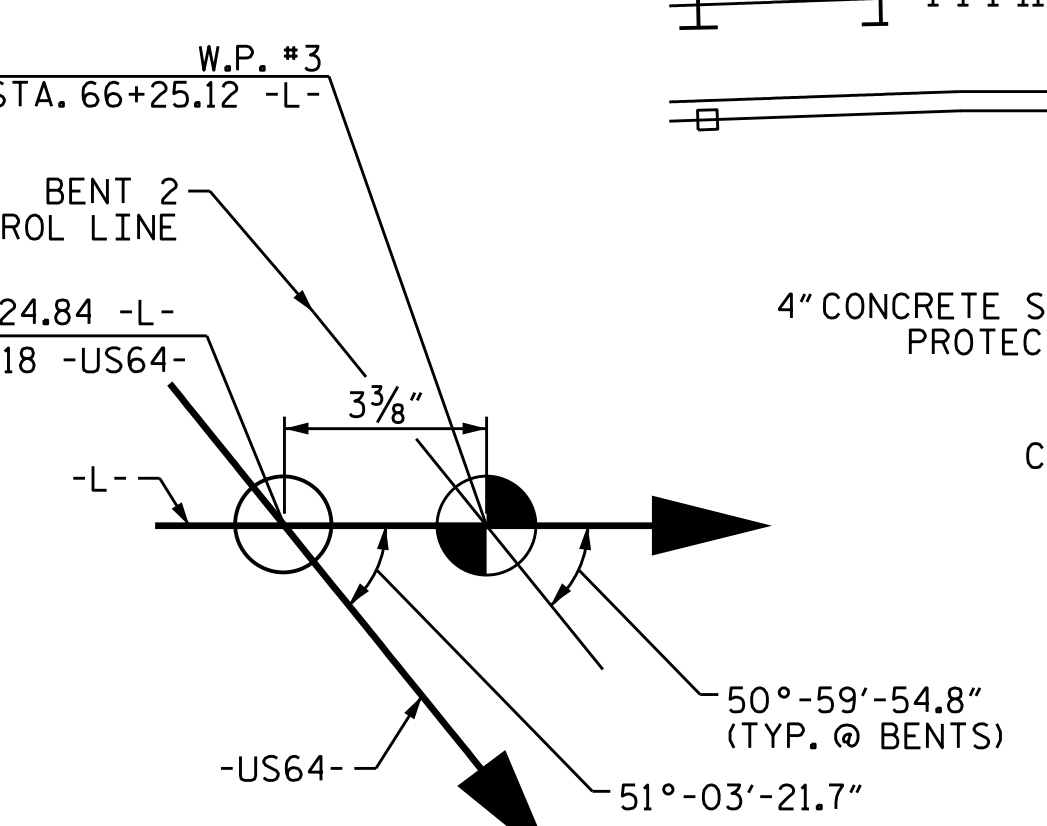
SECTION THROUGH WIDENING

(SECTION 20.00' RIGHT OF -L-)
(SECTION TAKEN AT RIGHT ANGLES TO END BENTS AND BENTS)



* TEMPORARY SHORING WILL BE REQUIRED TO REMAIN IN PLACE AND CUT OFF BELOW THE PAVEMENT STRUCTURE. USE PRECAST CONCRETE, STEEL PLATE LAGGING OR STEEL SHEET PILES FOR TEMPORARY SHORING.

DETAIL "A"



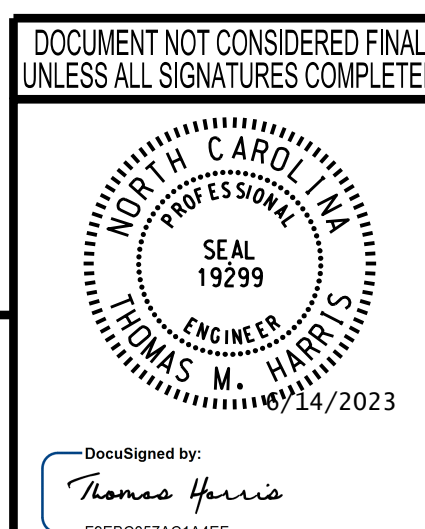
PLAN

(FOR CLARITY, PILES ARE NOT SHOWN IN PLAN VIEW)

PROJECT NO. U-4424
EDGEcombe COUNTY
 STATION: 66+24.84 -L-
 1004+45.18 -US64-
 SHEET 1 OF 3 WIDENING & REHAB. BRIDGE 320152

STATE OF NORTH CAROLINA
 DEPARTMENT OF TRANSPORTATION
 RALEIGH

GENERAL DRAWING
 FOR BRIDGE WIDENING OVER US 64
 (-US64-) ON NC 111 (-L-)
 BETWEEN NC 122 AND SR 1351



REVISIONS						SHEET NO.
NO.	BY:	DATE:	NO.	BY:	DATE:	S-1
1			3			TOTAL SHEETS
2			4			37

6/14/2023 4:18:771-06 NCDOT NC 111U-4424S\structures\Dr-off\ing\DGNS\401_003_U4424_SML_GD1_001.dgn

DESIGNED BY: J. WHEATLEY DATE: MAR 2023
 DRAWN BY: J. WHEATLEY DATE: MAR 2023
 CHECKED BY: T. KIRSCHBAUM DATE: MAR 2023
 DESIGN ENGINEER OF RECORD: T. HARRIS DATE: MAR 2023