

STATE OF NORTH CAROLINA
DEPARTMENT OF TRANSPORTATION
RALEIGH, N.C.

C204339

CONTRACT AND
CONTRACT BONDS
FOR CONTRACT NO. C204339

WBS 46927.3.1 STATE FUNDED

T.I.P NO. P-5715

COUNTY OF WAKE

THIS IS THE ROADWAY & STRUCTURE CONTRACT

ROUTE NUMBER _____ LENGTH 0.387 MILES

LOCATION NEW HOPE CHURCH ROAD GRADE SEPARATION OVER CSX RAIL LINE
(CROSSING #630607N AT MILE POST S 152.32).

CONTRACTOR S T WOOTEN CORPORATION

ADDRESS P.O. BOX 2408

WILSON, NC 278942408

BIDS OPENED OCTOBER 15, 2024

CONTRACT EXECUTION 11/04/2024

STATE OF NORTH CAROLINA
DEPARTMENT OF TRANSPORTATION
RALEIGH, N.C.

PROPOSAL

DATE AND TIME OF BID OPENING: **Oct 15, 2024 AT 02:00 PM**

CONTRACT ID C204339
WBS 46927.3.1

FEDERAL-AID NO. STATE FUNDED
COUNTY WAKE
T.I.P NO. P-5715
MILES 0.387

ROUTE NO.

LOCATION NEW HOPE CHURCH ROAD GRADE SEPARATION OVER CSX RAIL LINE
(CROSSING #630607N AT MILE POST S 152.32).

TYPE OF WORK GRADING, DRAINAGE, PAVING, SIGNALS, AND STRUCTURES.

NOTICE:

ALL BIDDERS SHALL COMPLY WITH ALL APPLICABLE LAWS REGULATING THE PRACTICE OF GENERAL CONTRACTING AS CONTAINED IN CHAPTER 87 OF THE GENERAL STATUTES OF NORTH CAROLINA WHICH REQUIRES THE BIDDER TO BE LICENSED BY THE N.C. LICENSING BOARD FOR CONTRACTORS WHEN BIDDING ON ANY NON-FEDERAL AID PROJECT WHERE THE BID IS \$30,000 OR MORE, EXCEPT FOR CERTAIN SPECIALTY WORK AS DETERMINED BY THE LICENSING BOARD. BIDDERS SHALL ALSO COMPLY WITH ALL OTHER APPLICABLE LAWS REGULATING THE PRACTICES OF ELECTRICAL, PLUMBING, HEATING AND AIR CONDITIONING AND REFRIGERATION CONTRACTING AS CONTAINED IN CHAPTER 87 OF THE GENERAL STATUTES OF NORTH CAROLINA. NOTWITHSTANDING THESE LIMITATIONS ON BIDDING, THE BIDDER WHO IS AWARDED ANY FEDERAL - AID FUNDED PROJECT SHALL COMPLY WITH CHAPTER 87 OF THE GENERAL STATUTES OF NORTH CAROLINA FOR LICENSING REQUIREMENTS WITHIN 60 CALENDAR DAYS OF BID OPENING.

BIDS WILL BE RECEIVED AS SHOWN BELOW:

THIS IS A ROADWAY & STRUCTURE PROPOSAL

5% BID BOND OR BID DEPOSIT REQUIRED

**PROPOSAL FOR THE CONSTRUCTION OF
CONTRACT No. C204339 IN WAKE COUNTY, NORTH CAROLINA
DEPARTMENT OF TRANSPORTATION,
RALEIGH, NORTH CAROLINA**

The Bidder has carefully examined the location of the proposed work to be known as Contract No. **C204339** has carefully examined the plans and specifications, which are acknowledged to be part of the proposal, the special provisions, the proposal, the form of contract, and the forms of contract payment bond and contract performance bond; and thoroughly understands the stipulations, requirements and provisions. The undersigned bidder agrees to bound upon his execution of the bid and subsequent award to him by the Board of Transportation in accordance with this proposal to provide the necessary contract payment bond and contract performance bond within fourteen days after the written notice of award is received by him. The undersigned Bidder further agrees to provide all necessary machinery, tools, labor, and other means of construction; and to do all the work and to furnish all materials, except as otherwise noted, necessary to perform and complete the said contract in accordance with the *2024 Standard Specifications for Roads and Structures* by the dates(s) specified in the Project Special Provisions and in accordance with the requirements of the Engineer, and at the unit or lump sum prices, as the case may be, for the various items given on the sheets contained herein.

The Bidder shall provide and furnish all the materials, machinery, implements, appliances and tools, and perform the work and required labor to construct and complete Contract No. **C204339** in **Wake County**, for the unit or lump sum prices, as the case may be, bid by the Bidder in his bid and according to the proposal, plans, and specifications prepared by said Department, which proposal, plans, and specifications show the details covering this project, and hereby become a part of this contract.

The published volume entitled *North Carolina Department of Transportation, Raleigh, Standard Specifications for Roads and Structures, January 2024* with all amendments and supplements thereto, is by reference incorporated into and made a part of this contract; that, except as herein modified, all the construction and work included in this contract is to be done in accordance with the specifications contained in said volume, and amendments and supplements thereto, under the direction of the Engineer.

If the proposal is accepted and the award is made, the contract is valid only when signed either by the Contract Officer or such other person as may be designated by the Secretary to sign for the Department of Transportation. The conditions and provisions herein cannot be changed except over the signature of the said Contract Officer.

The quantities shown in the itemized proposal for the project are considered to be approximate only and are given as the basis for comparison of bids. The Department of Transportation may increase or decrease the quantity of any item or portion of the work as may be deemed necessary or expedient.

An increase or decrease in the quantity of an item will not be regarded as sufficient ground for an increase or decrease in the unit prices, nor in the time allowed for the completion of the work, except as provided for the contract.

Accompanying this bid is a bid bond secured by a corporate surety, or certified check payable to the order of the Department of Transportation, for five percent of the total bid price, which deposit is to be forfeited as liquidated damages in case this bid is accepted and the Bidder shall fail to provide the required payment and performance bonds with the Department of Transportation, under the condition of this proposal, within 14 calendar days after the written notice of award is received by him, as provided in the *Standard Specifications*; otherwise said deposit will be returned to the Bidder.



State Contract Officer

Signed by:

Ronald Elton Davenport, Jr.

5AE54B6DC24B4A9...

09/13/2024

TABLE OF CONTENTS

**COVER SHEET
PROPOSAL SHEET**

PROJECT SPECIAL PROVISIONS

FEDERAL RAILROAD ADMINISTRATION CONTRACTOR PROVISIONS..... G-1
FY 2023 FEDERAL-STATE PARTNERSHIP FOR STATE OF GOOD REPAIR CLAUSES G-28
HAUL ROADS:..... G-30
PRE-BID CONFERENCE:..... G-31
BUILD AMERICA, BUY AMERICA (BABA): G-31
CONTRACT TIME AND LIQUIDATED DAMAGES: G-32
INTERMEDIATE CONTRACT TIME NUMBER 1 AND LIQUIDATED DAMAGES: G-32
INTERMEDIATE CONTRACT TIME NUMBER 2 AND LIQUIDATED DAMAGES: G-33
INTERMEDIATE CONTRACT TIME NUMBER 3 AND LIQUIDATED DAMAGES: G-34
INTERMEDIATE CONTRACT TIME NUMBER 4 AND LIQUIDATED DAMAGES: G-34
INTERMEDIATE CONTRACT TIME NUMBER 5 AND LIQUIDATED DAMAGES: G-35
INTERMEDIATE CONTRACT TIME NUMBER 6 AND LIQUIDATED DAMAGES: G-35
PERMANENT VEGETATION ESTABLISHMENT:..... G-35
MAJOR CONTRACT ITEMS: G-36
SPECIALTY ITEMS:..... G-36
FUEL PRICE ADJUSTMENT:..... G-36
STEEL PRICE ADJUSTMENT:..... G-38
SCHEDULE OF ESTIMATED COMPLETION PROGRESS:..... G-49
DISADVANTAGED BUSINESS ENTERPRISE: G-49
CERTIFICATION FOR FEDERAL-AID CONTRACTS: G-64
RESTRICTIONS ON ITS EQUIPMENT AND SERVICES:..... G-64
USE OF UNMANNED AIRCRAFT SYSTEM (UAS): G-65
EQUIPMENT IDLING GUIDELINES:..... G-65
U.S. DEPARTMENT OF TRANSPORTATION HOTLINE: G-66
OFCCP MEGA CONSTRUCTION PROJECT PROGRAM: G-66
SUBSURFACE INFORMATION:..... G-66
PORTABLE CONCRETE BARRIER - (Partial Payments for Materials):..... G-67
MAINTENANCE OF THE PROJECT: G-67
COOPERATION BETWEEN CONTRACTORS:..... G-67
TWELVE MONTH GUARANTEE:..... G-68
EROSION AND SEDIMENT CONTROL/STORMWATER CERTIFICATION: G-68
PROCEDURE FOR MONITORING BORROW PIT DISCHARGE:..... G-74
NOTES TO CONTRACTOR: G-75

ROADWAYR-1

STANDARD SPECIAL PROVISIONS

AVAILABILITY OF FUNDS – TERMINATION OF CONTRACTSSSP-1
 NCDOT GENERAL SEED SPECIFICATION FOR SEED QUALITYSSP-2
 ERRATA.....SSP-5
 PLANT AND PEST QUARANTINESSSP-6
 TITLE VI AND NONDISCRIMINATION:SSP-7
 MINORITY AND FEMALE EMPLOYMENT REQUIREMENTSSSP-16
 REQUIRED CONTRACT PROVISIONS FEDERAL-AID CONSTR CONTRACTSSSP-19
 ON-THE-JOB TRAINING.....SSP-33
 MINIMUM WAGESSSP-36

UNIT PROJECT SPECIAL PROVISIONS

GEOTECHNICAL.....GT-1.1
 GEOENVIRONMENTAL.....GV-1
 PAVEMENT MARKINGSPM-1
 TRAFFIC CONTROLTC-1
 UTILITY CONSTRUCTION.....UC-1
 UTILITY BY OTHERS.....UBO-1
 MISCELLANEOUS ROADWAYMR-1
 EROSION CONTROLEC-1
 TRAFFIC SIGNALSTS-1
 STRUCTURE/CULVERTSST-1
 RAILROAD INSURANCE (STRUCTURES).....RR-1

PROPOSAL ITEM SHEET

ITEM SHEET(S)

PROJECT SPECIAL PROVISIONS**GENERAL****FEDERAL RAILROAD ADMINISTRATION CONTRACTOR PROVISIONS***March 2024***1. Introduction**

By entering into this Agreement with the State, the Contractor agrees to comply with these terms and conditions, including applicable federal funding-specific clauses in Section 32 of this Federal Railroad Administration (FRA) Contractor Provisions attachment and all applicable federal and State laws and regulations, including those identified in this FRA Contractor Provision attachment. The Contractor will ensure compliance with all terms of this Agreement and all of its parts for all tiers of subcontracts under this Agreement, as appropriate. Unless otherwise provided, the Department and the Contractor are defined individually as “Party” and collectively as “Parties” in this FRA Contractor Provision attachment.

When the Contractor is required to assist the Department in complying with a regulation, law, or contractual clause, the Department will provide notice of such obligation to the Contractor in writing. Notice of a number of these requirements is set out herein. However, the failure of this Agreement to expressly identify federal law applicable to the Contractor or activities under this Agreement does not make that law inapplicable.

2. Definitions

- A. “Agreement” means this Supplemental Agreement No. 2 to the Durant Road Grade Separation Construction and Maintenance Agreement, including all attachments, exhibits, and amendments.
- B. “Approved Project Budget” means the most recently dated written statement, approved in writing by the Department, of the estimated total cost of the Project.
- C. “Authorized Representative” means the persons able and authorized to communicate on behalf of their respective organization, perform the referenced action, or commit the organization to the referenced action, pursuant to the organization’s internal policies, procedures, or reporting structure.
- D. “Department” means the North Carolina Department of Transportation.
- E. “Contractor” means any Party to this Agreement that is not the Department, including all subcontractors.
- F. “Department Project Manager” means the Department employee responsible for leading the planning, executing, monitoring, controlling, or closing for the

Project referenced in this Agreement.

- G. “Effective Date” means the execution date for this Agreement.
- H. “Federal Railroad Administration” or “FRA” means the operating administration of the U.S. Department of Transportation and the Federal Awarding Agency for the monies that either wholly or partially fund this Agreement.
- I. “Grant” as used in this Agreement means funding awarded to the Department for the Project through the Federal FY2023 Federal-State Partnership for Intercity Passenger Rail Program.
- J. “Project” means the task or set of tasks set forth in the Scope of Work for this Agreement.
- K. “Project Agreement Identification Number” means the Project Number (P-5720).
- L. “State Contribution” means the amount of funds that the Department agrees to provide under this Agreement, including any Grant funds.
- M. “State Funding Period” means the period that the Department will provide funds under this Agreement.
- N. “Scope of Work” means a detailed description of the work the Parties will complete with the funding from this Agreement and will be developed completely within each component of this Agreement.
- O. “Subcontract” means a contract entered into by the Contractor, as a pass-through entity, with a subcontractor for the subcontractor to carry out any part of this Project.
- P. “USDOT” means the United States Department of Transportation, including its operating administrations.
- Q. Additional definitions are found in 2 C.F.R. Part 200, Subpart A, and these Subpart A definitions are incorporated herein by reference and made a part of this Agreement. Subpart A definitions incorporated herein are not capitalized in this Agreement.

3. Agreement

This Agreement constitutes the entire agreement between the Department and the Contractor. All prior discussions and understandings concerning such scope and subject matter are superseded by this Agreement. This Agreement is governed by and subject to 2 C.F.R. Part 200, Uniform Administrative Requirements, Cost Principles and Audit Requirements for Federal Awards, and USDOT’s implementing regulations at 2 C.F.R. Part 1201.

4. Amendments

Other than close-out, modifications to this Agreement may be made only in writing, signed by an Authorized Representative for the Department and the Contractor, and specifically referred to as an amendment to this Agreement.

5. Flow Down Provisions

- A. The Contractor will ensure persons or entities that perform any part of the work under this Agreement, including Subcontractors, as defined in 2 C.F.R. § 200.93, or the Contractors, as defined in 2 C.F.R. § 200.23, will comply with applicable federal requirements and federal guidance and the applicable requirements of this Agreement. The Contractor agrees that flowing down such requirements does not relieve it of any obligation to comply with the requirements itself.
- B. For each of the subcontracts to perform all or part of the work under this Agreement:
- (1) The Contractor shall include applicable regulations in the subcontract and ensure compliance with these provisions, including applicable provisions of 2 C.F.R. Part 200, and USDOT's implementing regulations at 2 C.F.R. Part 1201. *See* 2 C.F.R. § 200.101.
 - (2) The Contractor shall include applicable federal statutory and regulatory requirements in the subcontract and ensure compliance with these requirements, including applicable limitations on use of funds.
 - (3) The Contractor shall include any other applicable requirements of this Agreement in the subcontract and ensure compliance with these requirements.

6. Successors and Assigns

The Contractor is not authorized to assign this Agreement without the Department's express prior written consent.

7. Execution

This Agreement may be executed by the Contractor and Department in separate counterparts; each of which, when so executed and delivered, shall be deemed an original.

8. Changed Conditions of Performance (Including Litigation)

- A. The Contractor agrees to immediately notify the Department, in a written statement to the Department Project Manager, of any change in local law, conditions, or any other event that may affect its ability to perform the Project in accordance with the terms of this Agreement. In addition, the Contractor agrees to immediately notify the Department Project Manager of any decision pertaining to the Contractor's conduct or litigation that may affect the Department's interests

in the Project. Before the Contractor may name the Department as a party to litigation for any reason, the Contractor agrees first to inform the Department Project Manager in writing; this proviso applies to any type of litigation whatsoever, in any forum.

- B. The Contractors shall include this requirement in the subcontract and ensure compliance.

9. Right of Department to Terminate

- A. The Contractor agrees that, upon written notice, the Department may suspend and/or terminate all or part of the State Contribution under any of the following circumstances:
- (1) the Contractor fails to comply with the U.S. Constitution, federal and State law, or the terms, conditions, and obligations specified under this Agreement;
 - (2) the Contractor fails to make reasonable progress on the Project;
 - (3) the Contractor fails to provide the Non-State Contribution, if applicable;
 - (4) the Contractor violates any other provision of this Agreement that significantly endangers substantial performance of the Project;
 - (5) the Department determines that the purposes of the law under which the Project is authorized or funded would not be adequately served by continuation of the State Contribution; or
 - (6) the Department determines that termination of this Agreement is in the public interest.

10. Transparency Act Requirements — Reporting Subcontracts and Executive Compensation

The Contractor will comply with the Department regarding the provisions of the Federal Funding Transparency and Accountability Act of 2006 (Pub. L. 109-282) and 2 C.F.R Part 170, incorporated herein by reference and made a part of this Agreement. For more information, visit <https://www.fsr.gov/>.

11. Financial Management Provisions

- A. Allowable Costs.

The Department will reimburse the Contractor's expenditures as allowable costs, within the State Funding Period, if they meet the following requirements:

- (1) expenditures shall conform to the Project description, the Scope of Work,

the Approved Project Budget, and all other terms of this Agreement;

- (2) expenditures shall be necessary in order to accomplish the Project;
- (3) expenditures shall be reasonable for the goods or services purchased;
- (4) expenditures shall be actual net costs to the Contractor (i.e., the price paid minus any applicable credits, refunds, rebates, or other items of value received by the Contractor that have the effect of reducing the cost actually incurred);
- (5) expenditures shall be incurred and be for work performed within the Scope of Work unless specific authorization is received in writing from the FRA and Department;
- (6) expenditures shall conform to federal guidelines or regulations and federal cost principles, as set forth in 2 C.F.R. §§ 200.400–475, unless otherwise permitted by federal or State statutes or regulation;
- (7) expenditures shall be satisfactorily documented; and
- (8) expenditures shall be uniformly and consistently compliant under accounting principles and procedures approved and prescribed by the FRA and the Department for the Contractor and those approved or prescribed by the Contractor, if applicable.

B. Disallowed Costs.

Disallowed costs include the following:

- (1) any Project costs incurred, activities undertaken, or work performed outside of the Project Description, Scope of Work, Approved Project Budget, or any other term of this Agreement unless specifically authorized by the Department in writing, otherwise permitted under this Agreement, or otherwise permitted by federal or State law or regulation;
- (2) any costs attributable to goods or services received under a contract or other arrangement that are required to be but have not been concurred or approved in writing by the Department.

C. The Contractor agrees that reimbursement of any cost under this section does not constitute a final Department decision about the allowability of that cost and does not constitute a waiver of any violation by the Contractor of the terms of this Agreement. The Contractor understands that the Department will not make a final determination about the allowability of any cost until an audit of the Project has been completed. If the Department determines that the Contractor is not entitled to receive any part of the State Contribution requested, the Department will notify the Contractor and provide an explanation. Project

closeout will not alter the Contractor's obligation to return any funds due to the Department as a result of later audits requiring refunds, corrections, or other transactions. Project closeout will not alter the Department's right to disallow costs and recover funds pursuant to a later audit or other review. Unless prohibited by law, the Department may offset any State Contribution to be made available under this Agreement as needed to satisfy any outstanding monetary claims that the State may have against the Contractor. Exceptions pertaining to disallowed costs will be assessed based on their applicability as set forth in the applicable federal cost principles or other written federal guidance.

D. Financing Costs.

To the extent permitted in writing by the Department and consistent with 2 C.F.R. § 200.449, financing costs are allowable.

12. Accounting Procedures

A. Documentation of Project Costs and Program Income.

All costs charged to the Project, including any approved services contributed by the Contractor or others, will be supported by properly executed payrolls, time records, invoices, contracts, or vouchers describing in detail the nature and propriety of the charges. The Contractor will also maintain accurate records of all program income derived from Project implementation.

B. Checks, Orders, and Vouchers.

The Contractor will ensure that all checks, payrolls, invoices, contracts, vouchers, orders, or other accounting documents pertaining in whole or in part to the Project are clearly identified with a Project Agreement Identification Number, readily accessible, and to the extent feasible kept separate from documents not pertaining to the Project.

13. Program Income

The Contractor is encouraged to credit savings acquired from disposal or salvage of materials to defray Project costs, where appropriate, and should work with the assigned Department Project Manager to determine how this income may be applied to the Project, in accordance with 2 C.F.R. § 200.307 and 2 C.F.R. § 1201.80. Program income not deducted from total allowable costs may be used only for the purposes and under the terms and conditions established in this Agreement. The Contractor must maintain records of all program income in accordance with this Agreement.

14. Environmental Protection

A. Contractor Assistance.

The Contractor must comply with the governing laws and regulations applicable

to the delivery of each project component of this Agreement and may also be required to assist with the Department's compliance with applicable federal and State laws, regulations, executive orders, and policies related to environmental review under the National Environmental Policy Act (NEPA), 42 U.S.C. §§ 4321 *et seq.*, and its implementing regulations (40 C.F.R. Parts 1500 *et seq.*); the FRA's Procedures for Considering Environmental Impacts (45 Fed. Reg. 40854, June 16, 1980), as revised May 26, 1999, 64 Fed. Reg. 28545, and as updated in 78 Fed. Reg. 2713, January 14, 2013) or 23 C.F.R. Part 771, as applicable; Section 106 of the National Historic Preservation Act (NHPA) (54 U.S.C. §§ 300101 *et seq.*) and its implementing regulations (36 C.F.R. Part 800); Executive Order No. 12898, Federal Actions to Address Environmental Justice in Minority Populations and Low-Income Populations; Section 4(f) of the Department of Transportation Act of 1966 (49 U.S.C. § 303(c)), and its implementing regulations (23 C.F.R. Part 774). In providing such assistance, the Department may require that the Contractor conduct environmental and/or historic preservation analyses and submit documentation to the Department.

The Contractor will ensure that all work conducted under this Agreement complies with all applicable laws, regulations, executive orders, and policies related to environmental protection and historic preservation, including, but not limited to: Section 114 of the Clean Air Act (42 U.S.C. § 7414) and Section 308 of the Federal Water Pollution Control Act (33 U.S.C. § 1318).

B. Timing of Contractor Action.

The Contractor may not expend any of the funds provided in this Agreement on construction activities or other activities that represent an irretrievable commitment of resources to a particular course of action affecting the environment until the Department has provided the Contractor with a written notice authorizing the Contractor to proceed. *See* 23 C.F.R. § 771.113(a).

C. Minimization, Avoidance, and Mitigation Measures.

The Contractor must implement all measures to minimize, avoid, or mitigate adverse environmental impacts identified by the Department in the categorical exclusion, Finding of No Significant Impact, or Record of Decision for the Project. The Contractor must also implement any additional measures identified through all other environmental or historic preservation review processes conducted to support Project construction and operation (e.g., any commitments included in a Memorandum of Agreement executed pursuant to Section 106 of the NHPA).

D. Revisions to Minimization, Avoidance, or Mitigation Measures.

The Contractor must provide the Department with written notice if it has not or cannot implement any of the minimization, avoidance, or mitigation measures identified under this Agreement. Upon receiving such notice, the Department will provide the Contractor with directions in writing, which may include substitute

mitigation measures. The Department may also revise its categorical exclusion, Finding of No Significant Impact, or Record of Decision.

E. Categorical Exclusion.

Categorical exclusions (CEs) are actions identified in an agency's NEPA implementing procedures that do not normally have a significant impact on the environment and therefore do not require either an environmental assessment (EA) or environmental impact statement (EIS). *See* 40 C.F.R. § 1508.4.

15. Property, Equipment, and Supplies

Unless otherwise approved by the Department, the following terms and conditions apply to property, equipment, and supplies funded under this Agreement.

A. General Requirements.

The Contractor will comply or assist the Department in their compliance with the property management standards of 2 C.F.R. §§ 200.310–316, including any amendments thereto, and other applicable guidelines or regulations. Exceptions to the requirements must be specifically approved by the Department in writing. The Contractor will use Project real property, as defined by 2 C.F.R. § 200.1, in accordance with the Property Standards of 2 C.F.R. § 200.311. Notwithstanding 2 C.F.R. § 200.313, the Contractor will comply or assist the Department in their compliance with 2 C.F.R. § 1201.313 with respect to the use, management, and disposal of equipment acquired under this Agreement.

B. Use for Originally Authorized Purpose.

The Contractor agrees that property and equipment funded under this Agreement is used for the originally authorized purpose. If necessary to satisfy this obligation, the Contractor agrees to enter appropriate arrangements with the entity or entities using, or with the owner of right-of-way used by, the property and/or equipment funded under this Agreement.

C. Maintenance.

The Contractor agrees to maintain any property, improvements to property, and any equipment funded under this Agreement in good working order and in accordance with FRA regulations, guidelines, and directives.

D. Records.

The Contractor agrees to keep satisfactory records regarding the use of the property, equipment, and supplies, and submit to the Department, upon request, such information as may be required to assure compliance with this section.

E. Transfer of Project Property, Equipment, or Supplies.

The Contractor agrees that the Department may require the Contractor to transfer title to or direct the disposition of any surplus property, equipment, or supplies financed with Department assistance made available by this Agreement, as required by 2 C.F.R. §§ 200.311–.316.

F. Withdrawn Property, Equipment or Supplies.

If any Project property, equipment, or supplies are not used for the Project for the duration of their useful lives as determined by the Department whether by planned withdrawal, misuse, or casualty loss, the Contractor agrees to notify the Department immediately. Disposition of withdrawn property, equipment, or supplies will be in accordance with 2 C.F.R. §§ 200.311–.316.

G. Encumbrance of Project Property or Equipment.

Unless expressly authorized in writing by the Department, the Contractor agrees not to:

- (1) execute any transfer of title, lease, lien, pledge, mortgage, encumbrance, contract, grant anticipation note, alienation, or other obligation that in any way would dispose of or encumber the Contractor's title or other interest in any Project property or equipment; or
- (2) obligate itself in any manner to any third party with respect to Project property or equipment.

H. The Contractor will refrain from taking any action or acting in a manner that would adversely affect the Department's interest or impair the Contractor's continuing control over the use of Project property or equipment.

16. Relocation and Land Acquisition

The Contractor agrees to comply or assist the Department in their compliance with the Uniform Relocation Assistance and Real Property Acquisition Policies Act of 1970, as amended, 42 U.S.C. §§ 4601 *et seq.*, and the USDOT implementing regulations, 49 C.F.R. Part 24.

17. Reserved

18. Procurement

- A. These federal procurement standards are in addition to the State procurement standards as provided for by the construction reimbursement agreements for

each sub-project to this program.

- B. The Contractor may acquire property, goods, or services in connection with the Project. The Contractor shall follow such policies and procedures listed when procuring property and services under this Agreement and consistent with 2 C.F.R. § 1201.317. An entity that is not a state or a subcontractor of a state will comply with 2 C.F.R. §§ 200.318–200.327 and applicable supplementary USDOT or FRA directives and regulations. If determined necessary for proper Project administration, the Department reserves the right to review the Contractor's technical specifications and requirements.
- C. Under Section 25019 of the Infrastructure Investment and Jobs Act, Pub. L. No. 117-58, div. B, tit. V (2021), a Contractor or Subcontractor may implement a local or other geographical or economic hiring preference relating to the use of labor for construction of a project funded by this grant if funded under title 49 or 23 United States Code, including prehire agreements, subject to any applicable State and local laws, policies, and procedures. The use of such a local or other geographical or economic hiring preference in any bid for a contract for the construction of a project funded by this grant shall not be considered to unduly limit competition. Project labor agreements should be consistent with the definition and standards outlined in Executive Order 13502. The Contractor must document its consideration of Local Hiring Preference for Construction Jobs related to the Project and report such to the Department.

For additional information, see:

<https://www.transportation.gov/sites/dot.gov/files/2023-05/Creating-Local-Construction-Workforce.pdf>.

19. E-Verify Compliance.

E-Verify is the federal program operated by the United States Department of Homeland Security (“DHS”) and other federal agencies used to verify the work authorization of newly hired employees pursuant to federal law. The Contractor warrants that it will ensure that any contractor or subcontractor performing the Contractor work (i) uses E-Verify, or any successor or equivalent program that may be adopted by DHS in lieu of E-Verify, if required to do so by North Carolina law and (ii) otherwise complies with the requirements of N.C. Gen. Stat. §§ 64-25 to 64-38. A breach of this warranty by any Party will be considered a breach of this Agreement that entitles the other Parties to terminate this Agreement, without penalty, upon notice to the Contractor.

20. Flagging.

In the event that the railroad determines that flagging services (which may include observer services) will be required for the safety of railroad operations, the Department shall bear the cost of such flagging services, including indirect and overhead costs. Subject to other needs of the railroad, which may in some cases result

in a delay in flagging for the Work, the Contractor will make a commercially reasonable effort to provide flagging or other protective services to accommodate the Work. The Department acknowledges that the railroad must reasonably allocate limited flagging services across the railroad's network. Subject to other needs of the railroad and the Department, the Contractor and the Department agree to cooperate in a commercially reasonable manner as to the timeliness and availability of flagging or other protective services. Notwithstanding the forgoing, a railroad retains the right to provide some or all of such services, at the Department's expense, via one or more qualified contractors. The Department and the Contractor agree to halt any Work that requires entry on the rail corridor, or any other property owned or operated by the railroad if flagging services become temporarily unavailable, without seeking redress or construction-delay claims or other claims.

21. Debarment and Suspension, and Drug-Free Workplace

The Contractor agrees to provide certifications on debarment and suspension for itself, and third-party contractors and subcontractors, and otherwise comply with USDOT regulations, Non-procurement Suspension and Debarment, 2 C.F.R. Part 1200, and Government-Wide Requirements for Drug-Free Workplace (Grant), 49 C.F.R. § 32.650.

22. Small and Disadvantaged Business Requirements

A. The Department must expend all funds received under the Federal FY2023 Federal-State Partnership for Intercity Passenger Rail Program in compliance with the requirements at 2 C.F.R. § 200.321 (Contracting with Small and Minority Businesses, Women's Business Enterprises, and Labor Surplus Area Firms), and to the extent applicable, 49 C.F.R. Part 26 (Participation by Disadvantaged Business Enterprises in Department of Transportation Financial Assistance Programs).

Pursuant to 2 C.F.R. § 200.321(b)(6), the Contractor agrees to take the following affirmative steps:

- (1) provide maximum practicable opportunities for small businesses, including veteran-owned small businesses and service-disabled veteran-owned small businesses;
- (2) implement best practices, consistent with our nation's civil rights and equal opportunity laws, for ensuring that all individuals – regardless of race, gender, age, disability, and national origin – benefit from activities funded through this Agreement; and
- (3) fulfill the affirmative steps, including but not limited to:
 - (a) Placing qualified small and minority businesses and women's business enterprises on solicitation lists;

- (b) Assuring that small and minority businesses and women's business enterprises are solicited whenever they are potential sources;
- (c) Dividing total requirements, when economically feasible, into smaller tasks or quantities to permit maximum participation by small and minority businesses and women's business enterprises;
- (d) Establishing delivery schedules, where the requirement permits, which encourage participation by small and minority businesses and women's business enterprises; and
- (e) Using the services and assistance, as appropriate, of such organizations as the Small Business Administration and the Minority Business Development Agency of the Department of Commerce.

23. Cargo Preference

A. The Contractor will comply or assist the Department in their compliance with the USDOT Maritime Administration regulations, 46 C.F.R. Part 381 as follows:

- (1) Use of United States-flag vessels:

Pursuant to Pub. L. 664 (43 U.S.C. § 1241(b)) at least fifty percent (50%) of any equipment, materials or commodities procured, contracted for, or otherwise obtained with funds granted, guaranteed, loaned, or advanced under this Agreement, and which may be transported by ocean vessel, will be transported on privately owned United States-flag commercial vessels, if available.

Within twenty (20) days following the date of loading for shipments originating within the United States or within thirty (30) working days following the date of loading for shipments originating outside the United States, a legible copy of a rated, 'on-board' commercial ocean bill-of-lading in English for each shipment of cargo described in Section 23.A.(1) of this FRA Contractor Provision attachment will be furnished to both the Contracting Officer (through the prime contractor in the case of subcontractor bills-of-lading) and to the Division of National Cargo, Office of Market Development, Maritime Administration, Washington, DC 20590.

- (2) The Contractor will insert the following clauses in contracts let by the Contractor in which equipment, materials or commodities may be transported by ocean vessel in carrying out the Project.

“Use of United States-flag vessels: The contractor agrees –

- (1) *To utilize privately owned United States-flag commercial vessels to*

ship at least 50% of the gross tonnage (computed separately for dry bulk carriers, dry cargo liners, and tankers) involved, whenever shipping any equipment, materials, or commodities pursuant to this contract to the extent such vessels are available at fair and reasonable rates for United States-flag commercial vessels.

- (2) *To furnish within 20 days following the date of loading for shipments originating within the United States, or within 30 working days following the date of loading for shipment originating outside the United States, a legible copy of a rated, "on-board" commercial ocean bill-of-lading in English for each shipment of cargo described in subsection (1) above to the recipient (through the prime contractor in the case of subcontractor bills-of lading) and to the Division of Cargo Preference and Domestic Trade, Maritime Administration, 1200 New Jersey Avenue, SE, Washington, D.C. 20590, marked with appropriate identification of the Project.*
- (3) *To insert the substance of the provisions of this clause in all subcontracts issued pursuant to this contract."*

24. Rights in Intangible Property

A. Title to Intangible Property.

Intangible property, as defined in 2 C.F.R. § 200.59, acquired in the performance of this Agreement vests upon acquisition in the Contractor. The Contractor must use that property for the originally authorized purpose and must not encumber the property without approval of the FRA and the Department. When no longer needed for the originally authorized purpose, disposition of the intangible property must occur in accordance with the provisions of 2 C.F.R. § 200.313(e).

B. Copyright.

The Contractor may copyright any work that is subject to copyright and was developed or for which ownership was acquired under this Agreement. The FRA and the Department reserve a royalty-free, nonexclusive, and irrevocable right to reproduce, publish, or otherwise use the work, and to authorize others to do so.

C. Patents.

The following provisions will apply to patents under this Agreement:

- (1) The Contractor is subject to applicable regulations governing patents and inventions, including government-wide regulations issued by the Department of Commerce at 37 C.F.R. Part 401, Rights to Inventions Made by Nonprofit Organizations and Small Business Firms Under Government Awards, Contracts and Cooperative Agreements.

- (2) If the Contractor secures a patent with respect to any invention, improvement, or discovery of the Contractor or any of its subcontractors or contractors conceived or first actually reduced to practice in the course of or under this Project, the Contractor agrees to grant to the FRA and the Department a royalty-free, nonexclusive, and irrevocable license to use and to authorize others to use the patented device or process.

D. Research Data.

For any research data (as defined in 2 C.F.R. § 200.315(e)(3)) acquired under a grant or contract, the FRA and Department has the following rights:

- (1) to obtain, reproduce, publish, or otherwise use the research data produced under that grant or contract; and
- (2) authorize others to receive reproduce, publish, or otherwise use such data.

E. Freedom of Information Act (FOIA).

- (1) The FRA and Department are subject to FOIA, 5 U.S.C. § 552, and the Department is subject to the North Carolina Public Records Law, N.C. Gen. Stat. § 132-6. The Contractor should, therefore, be aware that all materials not otherwise exempted by law related to this Agreement will become agency records and thus are subject to FOIA, North Carolina Public Records Law, and public release through individual FOIA or North Carolina Public Records Law requests.
- (2) The Contractor will assist the Department in their compliance with FOIA requests made pursuant to this Agreement and in accordance with the 5 U.S.C. § 552 and 2 C.F.R. § 200.315(e), including any definitional provisions set forth therein.

25. Acknowledgment of Support and Disclaimer

A. Acknowledgement and Disclaimer.

An acknowledgment of the FRA and the Department support and a disclaimer of said support must appear in any Contractor publication developed under this Agreement, or any other product based on or developed under this Agreement as directed by the Department, whether copyrighted or not, in the following terms:

- (1) "This material is based upon work supported by the Federal Railroad Administration under a Federal FY2023 Federal-State Partnership for Intercity Passenger Rail Program Grant." The number of this Agreement

and the date of award shall be included when cited in the requisite acknowledgement.

- (2) "Any opinions, findings, and conclusions or recommendations expressed in this publication are those of the author and do not necessarily reflect the view of the United States Department of Transportation, Federal Railroad Administration, or the North Carolina Department of Transportation. "

B. Bipartisan Infrastructure Law Signage Guidelines.

The Contractor must ensure each of the following signage requirements are met:

- (1) Signage is designed consistent with the guidelines and design specifications available at the following website. Signs should include the official Building A Better America emblem and corresponding logomark and identify the project as "funded by President Biden's Bipartisan Infrastructure Law."

<https://www.whitehouse.gov/wp-content/uploads/2022/08/Building-A-Better-America-Brand-Guide.pdf>.

- (2) Signage displays the FRA logo and the Department logo, if any, along with the official Building A Better America emblem. The FRA logo should not be displayed in a manner that implies the FRA itself is conducting the project.
- (3) Where applicable, the signage includes the project name (e.g., [Name of] Project funded by President Biden's Bipartisan Infrastructure Law.)
- (4) The sign is placed at construction sites where it is clearly visible near the location of work and that the sign is maintained in good condition throughout the construction period.
- (5) Signs on equipment are placed in an easily visible location and maintained in good condition.

26. Reprints of Publications

When any article resulting from work under this Agreement is published in a scientific, technical, or professional journal or publication, two (2) reprints of the publication shall be sent to the Department Project Manager, clearly referenced with the appropriate identifying information.

27. Monitoring, Financial Management, Controls, Data, and Records

A. Contractor Monitoring and Record Retention

- (1) The Contractor will monitor activities under this Agreement, including activities under subcontracts, to ensure that those activities comply with this Agreement and that funds provided under this award are not expended on costs that are not allowable under this award or not allocable to this award.
- (2) If the Contractor enters a subcontract under this Agreement, the Contractor will monitor the activities of the Subcontractor in compliance with 2 C.F.R. §200.332(d).
- (3) The Contractor will retain and provide access to records relevant to the award during the course of the Project and for three (3) years after notification of Project closeout or longer, as required under 2 C.F.R. § 200.334. In cases where litigation, a claim, or an audit is initiated prior to the expiration of the record retention period, records must be retained until completion of the action and resolution of issues or the end of the record retention period, whichever is later. Reporting and record-keeping requirements are set forth in 2 C.F.R. §§ 200.334–.338. Project closeout does not alter these requirements.
- (4) Pursuant to N.C. Gen. Stat. § 121-5(b), the Contractor shall not destroy, sell, loan, or otherwise dispose of any public record without the consent of the Department of Natural and Cultural Resources, except as provided in N.C. Gen. Stat. § 130A-99. As provided under N.C. Gen. Stat. § 121-5(b), whoever unlawfully removes a public record from the office where it is usually kept, or alters, mutilates, or destroys it shall be guilty of a Class 3 misdemeanor and upon conviction only fined at the discretion of the court.

B. Financial Records and Audits.

- (1) The Contractor will keep all Project accounts and records that fully disclose the amount and disposition by the Contractor of the award funds, the total cost of the Project, and the amount or nature of that portion of the cost of the Project supplied by other sources, and any other financial records related to the Project.
- (2) Pursuant to 2 C.F.R. §§ 200.330 and 200.501(f), the Contractor will comply or assist the Department in their compliance with all audit requirements of under 31 U.S.C. §§ 7501-7506, 2 C.F.R. §§ 200.500–.512, or as otherwise required.

C. Inspection by Federal and State Officials.

- (1) Pursuant to and in accordance with 2 C.F.R. § 200.337, the Contractor agrees to permit the USDOT, FRA, Inspectors General, Comptroller General of the United States, Department, or their authorized representatives, to inspect all Project work, materials, payrolls, and other

data, and to audit the books, records, and accounts of the Contractor.

D. Safety and Technology Data

- (1) The Contractor will ensure that the FRA and the Department have access to safety and technology relevant data generated by the Contractor under this Agreement, in a machine-readable format.

E. Site Visits.

- (1) The FRA and the Department, through their Authorized Representatives, have the right, at all reasonable times, to make site visits to review Project activities, accomplishments, and management control systems and to provide such technical assistance as may be required. If any site visit is made by the FRA or the Department under this Agreement on the premises of the Contractor, beneficiary, or subcontractor, the Contractor will provide or ensure the provision of all reasonable facilities and assistance for the safety and convenience of the FRA and Department representatives in the performance of their duties. All site visits and evaluations will be performed in such a manner as will not unduly delay work being conducted by the Contractor or any subcontractor.

28. Fraud, Waste, or Abuse

The Contractor agrees to take all steps, including initiating litigation, if necessary, to recover the State Contribution if the Department determines, after consultation with the Contractor, that all or a portion of such funds have been spent fraudulently, wastefully, or in violation of federal or State laws, or misused in any manner in undertaking the Project.

29. Safety Compliance

To the extent applicable, the Contractor agrees to comply with any federal or State regulations, laws, or policy and other guidance that the USDOT, the FRA, or the Department may issue pertaining to safety in general, and in the performance of this Agreement, including the production of a site safety and security plan if required by the Department.

30. Disclaimer of Federal Liability

FRA will not be responsible or liable for any damage to property or any injury to persons that may arise from, or be incident to, performance of or compliance with this Agreement.

31. Electronic and Information Technology

The Contractor agrees that reports or information it provides to or on behalf of the FRA and the Department will use electronic or information technology that complies with the

accessibility requirements of Section 508 of the Rehabilitation Act of 1973, as amended, 29 U.S.C. § 794d, and Electronic and Information Technology Accessibility Standards, 36 C.F.R. Part 1194.

32. Grant-Specific Clauses

A. The Contractor agrees to comply with the clauses in this section.

Consistent with 49 U.S.C. § 22905(e), subsections (2) through (7) of this section do not apply to: (i) commuter rail passenger transportation (as defined in 49 U.S.C. § 24102(3)) operations of a State or local government authority (as those terms are defined in 49 U.S.C. § 5302) or its contractor performing services in connection with commuter rail passenger operations; (ii) the Alaska Railroad or its contractors; or (iii) Amtrak's access rights to railroad right of way and facilities under current law.

- (1) Federal Share. The Federal Share of total Project costs shall not exceed 80 percent.
- (2) Buy America.
 - (a) For infrastructure projects, steel, iron, and manufactured products used in the Project are subject to 49 U.S.C. § 22905(a), as implemented by FRA. The Contractor acknowledges that this Agreement is neither a waiver of 49 U.S.C. § 22905(a)(1) nor a finding under 49 U.S.C. § 22905(a)(2). For infrastructure projects, construction materials used in the Project are subject to the domestic preference requirement at § 70914 of the Build America, Buy America Act, Pub. L. No. 117-58, div. G, tit. IX, subtit. A, 135 Stat. 429, 1298 (2021) and 2 C.F.R. part 184, as implemented by OMB, USDOT and FRA. The Contractor acknowledges that this Agreement is neither a waiver of § 70914(a) nor a finding under § 70914(b).
 - (b) For non-infrastructure projects, steel, iron, and manufactured products used in the Project are subject to 49 U.S.C. § 22905(a), as implemented by FRA. The Contractor acknowledges that this Agreement is neither a waiver of 49 U.S.C. § 22905(a)(1) nor a finding under 49 U.S.C. § 22905(a)(2).
 - (c) Under this Section, "infrastructure project" has the definition provided in 2 C.F.R. § 184.3.
 - (d) For all projects, as appropriate and to the extent consistent with law, the Contractor should under 2 C.F.R. § 200.322, to the greatest extent practicable under this award, provide a preference for the purchase, acquisition, or use of goods, products, or materials produced in the United States. The Contractor shall

include the requirements of 2 C.F.R. § 200.322 in all subcontracts including all contracts and purchase orders for work or products under this award.

- (3) **Operators Deemed Rail Carriers.** The Contractor recognizes and agrees that 49 U.S.C. § 22905(b) provides that persons conducting rail operations over rail infrastructure constructed or improved in whole or in part with funds provided under chapter 229 of Title 49, United States Code, will be considered a “rail carrier” as defined by 49 U.S.C. § 10102(5), for purposes of Title 49, United States Code, and any other statute that adopts that definition or in which that definition applies, including: the Railroad Retirement Act of 1974 (45 U.S.C. § 231 et seq.); the Railway Labor Act (45 U.S.C. § 151 et seq.); and the Railroad Unemployment Insurance Act (45 U.S.C. § 351 et seq.). The Contractor agrees to reflect this provision in its agreements (if any) with any entity operating rail services over such rail infrastructure.
- (4) **Railroad Agreements.** In accordance with 49 U.S.C. § 22905(c)(1), if the Project funded by this Agreement uses rights-of-way owned by a railroad, then Contractor represents that it has entered into a written agreement with that railroad owner, which includes: compensation for such use; assurances regarding the adequacy of infrastructure capacity to accommodate both existing and future freight and passenger operations; an assurance by the railroad that collective bargaining agreements with railroad’s employees (including terms regulating the contracting of work) will remain in full force and effect according to their terms for work performed by the railroad on the railroad transportation corridor; and an assurance that Contractor complies with liability requirements consistent with 49 U.S.C. § 28103.

By signing this Agreement, Contractor certifies that the written agreement referenced in this Section 32.A.(4) has been executed or is not required.

Additional guidance on compliance with the Railroad Agreements provisions is available on FRA’s website at:

<https://railroads.dot.gov/elibrary/frequently-asked-questions-about-rail-improvement-grant-conditions-under-49-usc-ss-22905c1>.

- (5) **Labor Protective Arrangements.** In accordance with 49 U.S.C. § 22905(c)(2)(B), if the Project funded by this Agreement uses rights-of-way owned by a railroad, then the Contractor will ensure compliance with the protective arrangements that are equivalent to those established under Section 504 of the Railroad Revitalization and Regulatory Reform Act of 1976, 49 U.S.C. § 22404. Such protective arrangements are available from the Department upon request.
- (6) **Davis-Bacon and Related Acts Provisions.** In accordance with 49 U.S.C. §

22905(c)(2)(A), if the Project funded by this Agreement uses rights-of-way owned by a railroad, the Contractor will ensure compliance with the standards of 49 U.S.C. § 24312 with respect to the Project in the same manner that Amtrak is required to comply with those standards for construction work financed under an agreement made under 49 U.S.C. § 24308(a). For these purposes, wages in collective bargaining agreements negotiated under the Railway Labor Act are deemed to comply with Davis-Bacon Act requirements.

- (7) Replacement of Existing Intercity Passenger Rail Service. If an intercity passenger rail transportation provider replaces Amtrak intercity passenger rail service through a Project funded by this Agreement, then such provider must comply with the provisions of 49 U.S.C. § 22905(d).
- (8) Interest and Financing Costs. Pursuant to 49 U.S.C. § 24911(g)(2), interest and other financing costs of efficiently carrying out a part of the Project within a reasonable time are a cost of carrying out the Project under a Phased Funding Agreement, except that eligible costs may not be more than the cost of the most favorable financing terms reasonably available for the Project at the time of borrowing. The Contractor will certify to FRA's satisfaction that the Contractor has shown reasonable diligence in seeking the most favorable financing terms.

33. Ethics

- A. Standards of Conduct. The Contractor will maintain a written code or standards of conduct governing the performance of its officers, employees, board members, or agents engaged in the award and administration of contracts or agreements supported by this Agreement. The code or standards will provide that the Contractor's officers, employees, board members, or agents may neither solicit nor accept gratuities, favors, or anything of monetary value from present or potential subcontractors or contractors. The Contractor may set minimum rules where the financial interest is not substantial, or the gift is an unsolicited item of nominal intrinsic value. As permitted by state or local law or regulations, such code or standards will provide for penalties, sanctions, or other disciplinary actions for violations by the Contractor's officers, employees, board members, or agents, or by subcontractors or their agents.
 - (1) Personal Conflict of Interest. The Contractor's code or standards must provide that no employee, officer, board member, or agent of the Contractor may participate in the selection, award, or administration of a contract supported by this Agreement if a real or apparent conflict of interest would be involved. Such a conflict of interest would arise when the employee, officer, or agent, any member of his or her immediate family, his or her partner, or an organization which employs or is about to employ any of the parties indicated herein, has a financial or other interest in or a tangible personal benefit from a firm considered for a contract.

- (2) Organizational Conflicts of Interest. The Contractor's code or standards of conduct must include procedures for identifying and preventing real and apparent organizational conflicts of interests. An organizational conflict of interest exists when the nature of the work to be performed under a proposed contract, may, without some restrictions on future activities, result in an unfair competitive advantage to the contractor or impair the contractor's objectivity in performing the contract work.
 - (3) Disclosure of Conflicts. The Contractor will disclose in writing any potential conflict of interest to FRA or Department.
- B. The Parties hereby incorporate the following provision into this Agreement and any subsequent agreements:
- “By Executive Order 24, issued by Governor Perdue, and N.C. Gen. Stat. § 133-32, it is unlawful for any vendor or contractor (i.e. architect, bidder, contractor, construction manager, design professional, engineer, landlord, offeror, seller, subcontractor, supplier, or vendor) to make gifts or to give favors to any State employee of the Governor’s Cabinet Agencies (i.e., Administration, Commerce, Cultural Resources, Environment and Natural Resources, Health and Human Services, Public Safety, Revenue, Transportation, and the Office of the Governor).”*
- C. The Contractor represents that they are not aware of any gift that has been offered, accepted, or promised in conjunction with this Agreement in violation of *N.C. Gen. Stat. § 133-32* and Executive Order 24.

34. Civil Rights

A. Federal Compliance.

The Contractor agrees to comply or assist the Department in their compliance with all civil rights laws and regulations, in accordance with applicable federal directives. These include, but are not limited to, the following: (a) Title VI of the Civil Rights Act of 1964 (P.L. 88-352), as amended, 42 U.S.C. §§ 2000d *et seq.*, the USDOT Title VI regulations at 49 C.F.R. Part 21, which prohibits discrimination on the basis of race, color, or national origin; (b) the Americans with Disabilities Act, as amended, 42 U.S.C. §§ 12101 *et seq.*, the USDOT ADA regulations at 49 C.F.R. Parts 37-38, section 504 of the Rehabilitation Act of 1973, as amended (29 U.S.C. § 794), and the USDOT regulations at 49 C.F.R. Part 27, which prohibits discrimination on the basis of disability; (c) the Age Discrimination in Employment Act, as amended (42 U.S.C. §§ 621–634), and the Age Discrimination Act of 1975, as amended (42 U.S.C. §§ 1601–1607), which prohibits discrimination on the basis of age; (d) Title IX of the Education Amendments of 1972, as amended (20 U.S.C. §§ 1681 *et seq.*), which prohibits discrimination on the basis of sex; (e) 49 U.S.C. § 306, which prohibits discrimination on the basis of race, color, national origin, or sex in railroad financial assistance programs; (f) any nondiscrimination regulation

implemented relating to the above stated statutes; (g) any nondiscrimination Executive Order implemented relating to the above stated statutes; (h) any USDOT Order implemented relating to nondiscrimination; and (i) any other applicable federal laws, regulations, requirements, and guidance prohibiting discrimination.

B. State Compliance.

Any sub-agreement entered with another party to perform work associated with the requirements of this Agreement shall contain appropriate provisions regarding the utilization of Minority and Women Owned Businesses as required by the current version of N.C. Gen. Stat. § 136-28.4 and the North Carolina Administrative Code, incorporated into this Agreement by reference. The Contractor shall not advertise nor enter into a contract for services performed as part of this Agreement unless the Department provides written approval of the advertisement or the contents of the contract. If the Contractor fails to comply with these requirements, the Department will withhold funding until these requirements are met.

35. Text Messaging While Driving

Distracted Driving, Including Text Messaging While Driving. The Contractor agrees to comply with the following: (1) Executive Order No. 13513, Federal Leadership on Reducing Text Messaging While Driving, October 1, 2009, 23 U.S.C. § 402 note, (74 Fed. Reg. 51225); (2) USDOT Order 3902.10, Text Messaging While Driving, December 30, 2009; and (3) N.C. Gen. Stat. § 20-137.4A.

36. Trafficking in Persons

A. Provisions applicable to a Contractor that is a private entity.

- (1) You as the Contractor, your employees, subcontractors under this Agreement, and subcontractors' employees may not:
 - a. engage in severe forms of trafficking in persons during the period of time that this Agreement is in effect;
 - b. procure a commercial sex act during the period of time that this Agreement is in effect; or
 - c. use forced labor in the performance of this Agreement or subcontracts entered under this Agreement.

B. The Department may unilaterally terminate this Agreement, without penalty, if the Contractor or a subcontractor that is a private entity:

- (1) is determined to have violated a prohibition in Section 36.A.(1) of this FRA Contractor Provision attachment; or

- (2) has an employee who is determined by the Department official authorized to terminate this Agreement to have violated a prohibition in Section 36.A.(1) of this FRA Contractor Provision attachment through conduct that is either:
 - a. associated with performance under this Agreement; or
 - b. imputed to you or the subcontractor using the standards and due process for imputing the conduct of an individual to an organization that are provided in 2 C.F.R. Part 180, “OMB Guidelines to Agencies on Governmentwide Debarment and Suspension (Nonprocurement),” as implemented by our agency at 2 C.F.R. Part 1200.
- C. Provision applicable to a Contractor other than a private entity. The Department may unilaterally terminate this Agreement, without penalty, if a subcontractor that is a private entity:
- (1) is determined to have violated an applicable prohibition in Section 36.A.(1) of this FRA Contractor Provision attachment; or
 - (2) has an employee who is determined by the agency official authorized to terminate the award to have violated an applicable prohibition in Section 36.A.(1) of this FRA Contractor Provision attachment through conduct that is either:
 - a. associated with performance under this award; or
 - b. imputed to the subcontractor using the standards and due process for imputing the conduct of an individual to an organization that are provided in 2 C.F.R. Part 180, OMB Guidelines to Agencies on Governmentwide Debarment and Suspension (Nonprocurement), as implemented by our agency at 2 C.F.R. Part 1200.
- D. Provisions applicable to any officers, employees, agents, or subcontractors of the Parties to this Agreement.
- (1) Any officer, employee, agent, or subcontractor of the Parties to this Agreement must inform the Department immediately of any information received from any source alleging a violation of a prohibition in Section 38.A.(1) of this FRA Contractor Provision attachment.
 - (2) The Department’s right to unilaterally terminate this Agreement as described in Section 36.A.(1) or 36.B of this FRA Contractor Provision attachment:
 - a. implements Section 106(g) of the Trafficking Victims Protection Act of 2000 (TVPA), as amended (22 U.S.C. § 7104(g)); and

- b. is in addition to all other remedies for noncompliance that are available to us under this award.
- E. The Contractor shall include the requirements of this section of the FRA Contractor Provision attachment in any subcontract.
- F. Definitions. For purposes of this Section:
- (1) “Employee” means either an individual employed by you or a subcontractor who is engaged in the performance of the project or program under this award or another person engaged in the performance of the project or program under this award and not compensated by you including, but not limited to, a volunteer or individual whose services are contributed by a third party as an in-kind contribution toward cost sharing or matching requirements.
 - (2) “Forced labor” means labor obtained by any of the following methods: the recruitment, harboring, transportation, provision, or obtaining of a person for labor or services through the use of force, fraud, or coercion for the purpose of subjection to involuntary servitude, peonage, debt bondage, or slavery.
 - (3) “Private entity” means any entity other than a State, local government, Indian tribe, or foreign public entity, as those terms are defined in 2 C.F.R. § 175.25 and includes:
 - a. a nonprofit organization, including any nonprofit institution of higher education, hospital, or tribal organization other than one included in the definition of Indian tribe at 2 C.F.R. § 175.25(b); and
 - b. a for-profit organization.
 - (4) “Severe forms of trafficking in persons,” “commercial sex act,” and “coercion” have the meanings given at Section 103 of the TVPA, as amended (22 U.S.C. § 7102).
 - (5) “Contractor” and “subcontractor” include for-profit entities for the purpose of this Agreement.

37. Prohibition on Certain Telecommunications and Video Surveillance Services or Equipment

The Contractor and any subcontractor acknowledge that Section 889 of Pub. L. No. 115-232 and 2 C.F.R. § 200.216 prohibit the Contractor and all Subcontractors from procuring or obtaining certain telecommunications and video surveillance services or equipment under this Agreement.

38. Climate Change and Environmental Justice

Consistent with Executive Order 14008, “Tackling the Climate Crisis at Home and Abroad” (Jan. 27, 2021), the Contractor shall document and provide the Department its consideration of climate change and environmental justice impacts of the Project in the format provided in Exhibit A of this Agreement.

39. Racial Equity and Barriers to Opportunity.

Consistent with Executive Order 13985, “Advancing Racial Equity and Support for Underserved Communities Through the Federal Government” (Jan. 20, 2021), the Contractor shall document and provide the Department its activities related to the Project to improve racial equity and reduce barriers to opportunity in the format provided in Exhibit B of this Agreement.

40. Labor and Work.

Consistent with Executive Order 14025, “Worker Organizing and Empowerment” (Apr. 26, 2021), and Executive Order 14052, “Implementation of the Infrastructure Investment and Jobs Act” (Nov. 15, 2021) (IIJA), the Contractor will document its consideration of job quality and labor rights, standards, and protections related to the Project in the format provided in Exhibit C of this Agreement.

41. Critical Infrastructure Security and Resilience.

Consistent with Presidential Policy Directive 21, “Critical Infrastructure Security and Resilience” (Feb. 12, 2013), and the National Security Presidential Memorandum on Improving Cybersecurity for Critical Infrastructure Control Systems (July 28, 2021), the Contractor will consider physical and cyber security and resilience in planning, design, and oversight of the Project.

42. Whistleblower Protection.

- A. (a) The Contractor acknowledges that it is a “Contractor” within the scope of 41 U.S.C. § 4712, which prohibits the Contractor from taking certain actions against an employee for certain disclosures of information that the employee reasonably believes are evidence of gross mismanagement of this Agreement, gross waste of Federal funds, or a violation of Federal law related to this Agreement.
- B. The Contractor will inform its employees in writing of the rights and remedies provided under 41 U.S.C. § 4712, in the predominant native language of the workforce.

43. New Restrictions on Lobbying.

- A. The Contractor must comply with 49 C.F.R. Part 20, “New Restrictions on

Lobbying,” and pursuant to those regulations, the Contractor and any subcontractor may not use the State Contribution to pay any person for influencing or attempting to influence an officer or employee of any agency, a Member of Congress, an officer or employee of Congress, or an employee of a Member of Congress in connection with any of the following covered Federal actions: the awarding of any Federal contract, the making of any Federal grant, the making of any Federal loan, the entering into of any cooperative agreement, and the extension, continuation, renewal, amendment, or modification of any Federal contract, grant, loan, or cooperative agreement.

- B. Pursuant to 49 C.F.R. § 20.110(d), the Contractor certifies the following, to the best of their knowledge and belief, by executing this Agreement:
- (1) No part of the State Contribution have been paid or will be paid, by or on behalf of the undersigned, to any person for influencing or attempting to influence an officer or employee of an agency, a Member of Congress, an officer or employee of Congress, or an employee of a Member of Congress in connection with the awarding of any Federal contract, the making of any Federal grant, the making of any Federal loan, the entering into of any cooperative agreement, and the extension, continuation, renewal, amendment, or modification of any Federal contract, grant, loan, or cooperative agreement.
 - (2) If any funds other than Federal appropriated funds have been paid or will be paid to any person for influencing or attempting to influence an officer or employee of any agency, a Member of Congress, an officer or employee of Congress, or an employee of a Member of Congress in connection with this Federal contract, grant, loan, or cooperative agreement, the undersigned shall complete and submit Standard Form-LLL, “Disclosure Form to Report Lobbying,” in accordance with its instructions.
 - (3) The undersigned shall require that the language of this certification be included in the award documents for all subcontracts at all tiers (including subcontracts, subgrants, and contracts under grants, loans, and cooperative agreements) and that all subcontractors shall certify and disclose accordingly.

This certification is a material representation of fact upon which reliance was placed when this transaction was made or entered into. Submission of this certification is a prerequisite for making or entering into this transaction imposed by section 1352, title 31, U.S. Code. Any person who fails to file the required certification shall be subject to a civil penalty of not less than \$10,000 and not more than \$100,000 for each such failure.

- C. The Contractor shall file with the Department the Appendix B to 49 C.F.R. Part 20—Disclosure Form To Report Lobbying at the end of each calendar quarter in which there occurs any event that requires disclosure or that materially affects the

accuracy of the information contained in any disclosure form previously filed with the Department. Except as provided under Subpart B and Subpart C of 49 C.F.R. Part 20, an event that materially affects the accuracy of the information reported includes any of the following scenarios:

- (1) A cumulative increase of \$25,000 or more in the amount paid or expected to be paid for influencing or attempting to influence a covered Federal action; or
 - (2) A change in the person(s) or individual(s) influencing or attempting to influence a covered Federal action; or,
 - (3) A change in the officer(s), employee(s), or Member(s) contacted to influence or attempt to influence a covered Federal action.
- D. The Contractor shall include and require any subcontractor to include in any subsequent contract entered pursuant to this Agreement the requirements of this section. The Contractor and any subcontractor shall file a certification, and a disclosure form, if required, to the next tier above for any person, as that term is defined by 49 C.F.R. § 20.105(*I*), who requests or receives a subcontract exceeding \$100,000 under this Agreement. Any certification or disclosure form filed will be treated as a material representation of fact upon which all receiving tiers shall rely. All liability arising from an erroneous representation shall be borne solely by the tier filing that representation and shall not be shared by any tier to which the erroneous representation is forwarded. Submitting an erroneous certification or disclosure constitutes a failure to file the required certification or disclosure, respectively. If a person, as that term is defined by 49 C.F.R. § 20.105(*I*), fails to file a required certification or disclosure, the United States may pursue all available remedies, including those authorized by section 1352, title 31, U.S. Code.

44. Governing Laws and Regulations

- A. The Contractor acknowledges and agrees that their performance will be governed by and in compliance with this Agreement, 2 C.F.R. Part 200, including all Appendices, and USDOT's implementing regulations at 2 C.F.R. Part 1201.
- B. Federal Laws and Regulations.

The Contractor understands that federal laws, regulations, policies, and related administrative practices in place on the date this Agreement was executed may be modified from time to time. The Contractor agrees that the most recent of such federal requirements will govern the administration of this Agreement and any flow-down sub-agreement at any particular time, except if there is sufficient evidence in this Agreement of a contrary intent. Likewise, new federal laws, regulations, policies, and administrative practices may be established after the date the Agreement has been executed and may apply to this Agreement. All limits or

standards set forth in this Agreement to be observed in the performance of the Project are minimum requirements.

C. State, Territorial Law, and Local Law.

Except to the extent that a federal statute or regulation preempts state, territorial, or local law, nothing in this Agreement will require the Contractor to observe or enforce compliance with any provision thereof, perform any other act, or do any other thing in contravention of any applicable state, territorial, or local law; however, if any of the provisions of this Agreement violate any applicable state, territorial, or local law, or if compliance with the provisions of this Agreement would require the Contractor to violate any applicable state, territorial, or local law, the Contractor agrees to notify the Department immediately in writing in order that the Department and FRA may make appropriate arrangements to proceed with the Project.

D. General.

The Contractor will ensure that federal funding is expended in full accordance with the U.S. Constitution, Federal Law, and statutory and public policy requirements including but not limited to, those protecting free speech, religious liberty, public welfare, the environment, and prohibiting discrimination. Further, the Contractor will ensure compliance with all regulations, executive orders, policies, guidance, and requirements as they relate to the application, acceptance, and/or use of funds under this Agreement which may include, but are not limited to, those referenced in this Agreement.

FY 2023 FEDERAL-STATE PARTNERSHIP FOR STATE OF GOOD REPAIR CLAUSES

February 2024

The Contractor agrees to comply with the clauses in this Fiscal Year 2023 Federal-State Partnership (FY23 FSP) for State of Good Repair Clauses attachment according to its terms. Consistent with 49 U.S.C. § 22905(e), clauses (c) through (h) of this FY23 FSP for State of Good Repair Clauses attachment do not apply to: (1) commuter rail passenger transportation (as defined in 49 U.S.C. § 24102) operations of a State or local government authority (as those terms are defined in 49 U.S.C. § 5302) or its contractor performing services in connection with commuter rail passenger operations; (2) the Alaska Railroad or its contractors; or (3) Amtrak's access rights to railroad right of way and facilities under current law.

a. Federal Contribution

The Federal share of total Project costs shall not exceed 80 percent.

b. Access to Site and Records

The Contractor agrees to comply with the requirements of 49 U.S.C. 22903(c) and provide the FRA and NCDOT access to the construction site and records when reasonably necessary.

c. Build America, Buy America Act

In lieu of Section 33 of the Federal Railroad Administration Contractor Provision, as attached to this Agreement, the Contractor shall comply with the (1) FRA Buy America provisions at 49 U.S.C. § 22905(a), (2) applicable provisions of the Build America, Buy America Act (Pub. L. 117-58 §§ 70901-70953), and (3) 2 C.F.R. § 200.322 and 2 C.F.R. Part 184.

Steel, iron, and manufactured goods used pursuant to this Agreement are subject to the FRA Buy America provisions at 49 U.S.C. 22905(a). Construction materials used pursuant to this Agreement are subject to the domestic preference requirement at Pub. L. 117-58 § 70914 of the Build America, Buy America Act.

The FRA Buy America provisions at 49 U.S.C. § 22905(a), and the Build America, Buy America Act provisions of Pub. L. 117-58 §§ 70901-70953 shall apply to all portions of this Agreement, including subcontracts, regardless of whether FRA funds are used.

The Recipient shall include the requirements of 2 C.F.R. 200.322 in all subawards including all contracts and purchase orders for work or products under this award.

For more information about FRA Buy America requirements visit the FRA website: <https://railroads.dot.gov/legislation-regulations/buy-america/buy-america>.

d. Operators Deemed Rail Carriers

The Contractor recognizes and agrees that 49 U.S.C. § 22905(b) provides that persons conducting rail operations over rail infrastructure constructed or improved in whole or in part with funds provided under chapter 229 of Title 49, United States Code, will be considered a “rail carrier” as defined by 49 U.S.C. § 10102(5), for purposes of Title 49, United States Code, and any other statute that adopts that definition or in which that definition applies, including: the Railroad Retirement Act of 1974 (45 U.S.C. § 231 *et seq.*); the Railway Labor Act (45 U.S.C. § 151 *et seq.*); and the Railroad Unemployment Insurance Act (45 U.S.C. § 351 *et seq.*). The Contractor agrees to reflect this provision in its agreements, if any, with any entity operating rail services over such rail infrastructure.

e. Railroad Agreements.

In accordance with 49 U.S.C. § 22905(c)(1), if the Project funded by this Agreement uses rights-of-way owned by a railroad, then Contractor represents that it has entered into a written agreement with that railroad owner, which includes compensation for such use; assurances regarding the adequacy of infrastructure capacity to accommodate both existing and future freight and passenger operations; an assurance by the railroad that collective bargaining agreements with railroad’s employees (including terms regulating the contracting of work) will remain in full force and effect according to their terms for work performed by the railroad on the railroad transportation corridor; and an assurance that Contractor complies with liability requirements consistent with 49 U.S.C. § 28103.

By signing this Agreement, Contractor certifies that the written agreement referenced in this clause (e) has been executed or is not required.

Additional guidance on compliance with the Railroad Agreements provisions is available on FRA's website at: <https://railroads.dot.gov/elibrary/frequently-asked-questions-about-rail-improvement-grant-conditions-under-49-usc-ss-22905c1>.

f. Labor Protective Arrangements

In accordance with 49 U.S.C. § 22905(c)(2)(B), if the Project funded by this Agreement uses rights-of-way owned by a railroad, then Contractor will ensure compliance with the protective arrangements that are equivalent to the protective arrangements established under Section 504 of the Railroad Revitalization and Regulatory Reform Act of 1976, 45 U.S.C. § 836, with respect to employees affected by actions taken in connection with the Project financed in whole or in part by this Agreement.

g. Davis-Bacon and Related Acts Provisions

In accordance with 49 U.S.C. § 22905(c)(2)(A), if the Project funded by this Agreement uses rights-of-way owned by a railroad, then, the Contractor will ensure compliance with the standards of 49 U.S.C. § 24312 with respect to the Project in the same manner that Amtrak is required to comply with those standards for construction work financed under an agreement made under 49 U.S.C. § 24308(a). For these purposes, wages in collective bargaining agreements negotiated under the Railway Labor Act are deemed to comply with Davis-Bacon Act requirements.

h. Replacement of Existing Intercity Passenger Rail Service

If an intercity passenger rail transportation provider replaces Amtrak intercity passenger rail service through a Project funded by this Agreement, then such provider must comply with the provisions of 49 U.S.C. § 22905(d).

HAUL ROADS:

(7-16-24)

105

SP1 G04

Revise the *Standard Specifications* as follows:

Page 1-45, Article 105-15 RESTRICTION OF LOAD LIMITS, line 31, add the following after second sentence of the second paragraph:

At least 30 days prior to use, the Contractor shall notify the Engineer of any public road proposed for use as a haul road for the project.

PRE-BID CONFERENCE:

In order for all prospective bidders to have a comprehensive understanding of the project, a pre-bid conference will be held on Thursday, September 26, 2024 at 8:30am. We will be holding the conference via Microsoft Teams.

Virtual Meeting on Microsoft Teams
 Call In Number: +1 984-204-1487, Phone Conference ID: 524957733#
 MS Teams Link:

https://teams.microsoft.com/l/meetup-join/19%3ameeting_ZWI1N2MyYmUtN2MxMC00ZmFmLWIyMmUtYjJmNTQxOGM1Njdm%40thread.v2/0?context=%7b%22Tid%22%3a%227a7681dc-b9d0-449a-85c3-ecc26cd7ed19%22%2c%22Oid%22%3a%226262d273-d215-45de-b296-646dd6a9192e%22%7d

For any questions pertaining to the pre-bid conference please contact Robert Bullock rwbullock1@ncdot.gov at 919-317-4767.

BUILD AMERICA, BUY AMERICA (BABA):

(11-15-22)(Rev. 7-16-24)

106

SP1 G05

Revise the *Standard Specifications* as follows:

Page 1-48, Article 106-1 GENERAL REQUIREMENTS, add the following after line 49:

(C) Build America, Buy America (BABA)

All manufactured products and construction materials permanently incorporated into any project must meet requirements of the Build America, Buy America (BABA) Act of the Infrastructure Investment and Jobs Act (IIJA). Before any material or product shown on the Department's Build America, Buy America (BABA) List is included for payment on a monthly estimate, the Contractor shall furnish the Engineer with a notarized certification certifying that the items conform to the BABA Act. The Department's Build America Buy America (BABA) List can be found on the Department's website below.

<https://connect.ncdot.gov/letting/LetCentral/NCDOT%20BABA%20Materials%20List.pdf>

Each purchase order issued by the Contractor or a subcontractor for items on the BABA List to be permanently incorporated into any project shall contain in bold print a statement advising the supplier that the manufactured products and construction materials must be produced in the United States of America. The Contractor and all affected subcontractors shall maintain a separate file for BABA List items so that verification of the Contractor's efforts to purchase items produced in the United States can readily be verified by an authorized representative of the Department or the Federal Highway Administration (FHWA).

CONTRACT TIME AND LIQUIDATED DAMAGES:

(4-17-12)(Rev. 5-16-23)

108

SP1 G08 C

The date of availability for this contract is **November 25, 2024**.

The completion date for this contract is **February 28, 2028**.

Except where otherwise provided by the contract, observation periods required by the contract will not be a part of the work to be completed by the completion date and/or intermediate contract times stated in the contract. The acceptable completion of the observation periods that extend beyond the final completion date shall be a part of the work covered by the performance and payment bonds.

The liquidated damages for this contract are **Two Hundred Dollars (\$ 200.00)** per calendar day. These liquidated damages will not be cumulative with any liquidated damages which may become chargeable under Intermediate Contract Time Number 1.

INTERMEDIATE CONTRACT TIME NUMBER 1 AND LIQUIDATED DAMAGES:

(7-1-95) (Rev. 2-21-12)

108

SP1 G13 A

Except for that work required under the Project Special Provisions entitled *Planting, Reforestation* and/or *Permanent Vegetation Establishment*, included elsewhere in this proposal, the Contractor will be required to complete all work included in this contract and shall place and maintain traffic on same.

The date of availability for this intermediate contract time is **November 25, 2024**.

The completion date for this intermediate contract time is **September 1, 2027**.

The liquidated damages for this intermediate contract time are **Two Thousand Dollars (\$ 2,000.00)** per calendar day.

Upon apparent completion of all the work required to be completed by this intermediate date, a final inspection will be held in accordance with Article 105-17 and upon acceptance, the Department will assume responsibility for the maintenance of all work except *Planting, Reforestation* and/or *Permanent Vegetation Establishment*. The Contractor will be responsible for and shall make corrections of all damages to the completed roadway caused by his planting operations, whether occurring prior to or after placing traffic through the project.

INTERMEDIATE CONTRACT TIME NUMBER 2 AND LIQUIDATED DAMAGES:

(2-20-07)

108

SP1 G14 A

The Contractor shall complete the required work of installing, maintaining, and removing the traffic control devices for lane closures and restoring traffic to the existing traffic pattern. The Contractor shall not close or narrow a lane of traffic on **-L- (New Hope Church Road) and/or -Y3- (Atlantic Avenue)** during the following time restrictions:

DAY AND TIME RESTRICTIONS

Monday thru Friday, 6:00 AM to 8:00 PM
Saturday and Sunday, 9:00 AM to 7:00 PM

In addition, the Contractor shall **maintain a minimum of a two-lane, two-way traffic pattern on -L- (New Hope Church Road)** on or during holiday weekends, special events, or any other time when traffic is unusually heavy, including the following schedules:

HOLIDAY AND HOLIDAY WEEKEND LANE CLOSURE RESTRICTIONS

1. For **unexpected occurrence** that creates unusually high traffic volumes, as directed by the Engineer.
2. For **New Year's Day**, between the hours of **6:00 AM** December 31st and **8:00 PM** January 2nd. If New Year's Day is on a Friday, Saturday, Sunday or Monday, then until **8:00 PM** the following Tuesday.
3. For **Easter**, between the hours of **6:00 AM** Thursday and **8:00 PM** Monday.
4. For **Memorial Day**, between the hours of **6:00 AM** Friday and **8:00 PM** Tuesday.
5. For **Independence Day**, between the hours of **6:00 AM** the day before Independence Day and **8:00 PM** the day after Independence Day.

If **Independence Day** is on a Friday, Saturday, Sunday or Monday, then between the hours of **6:00 AM** the Thursday before Independence Day and **8:00 PM** the Tuesday after Independence Day.
6. For **Labor Day**, between the hours of **6:00 AM** Friday and **8:00 PM** Tuesday.
7. For **Thanksgiving**, between the hours of **6:00 AM** Tuesday and **8:00 PM** Monday.
8. For **Christmas**, between the hours of **6:00 AM** the Friday before the week of Christmas Day and **8:00 PM** the following Tuesday after the week of Christmas Day.

Holidays and holiday weekends shall include New Year's, Easter, Memorial Day, Independence Day, Labor Day, Thanksgiving, and Christmas. The Contractor shall schedule his work so that lane closures will not be required during these periods, unless otherwise directed by the Engineer.

The time of availability for this intermediate contract work shall be the time the Contractor begins to install all traffic control devices for lane closures according to the time restrictions listed herein.

The completion time for this intermediate contract work shall be the time the Contractor is required to complete the removal of all traffic control devices for lane closures according to the time restrictions stated above and place traffic in the existing traffic pattern.

The Day & Time Restrictions shall not apply to lane closures that are required to achieve the two-lane, two-way traffic pattern required by the Phasing on Sheet TMP-3.

The liquidated damages are **Five Hundred Dollars (\$ 500.00)** per fifteen (15) minute time period.

INTERMEDIATE CONTRACT TIME NUMBER 3 AND LIQUIDATED DAMAGES:

(2-20-07)

108

SP1 G14 D

The Contractor shall complete the required work of installing, maintaining and removing the traffic control devices for road closures and restoring traffic to the existing traffic pattern. The Contractor shall not close **-L- (New Hope Church Road)** during the following time restrictions:

DAY AND TIME RESTRICTIONS

Monday thru Sunday, 5:00 AM to 11:00 PM

The time of availability for this intermediate contract time will be the time the Contractor begins to install traffic control devices required for road closures according to the time restrictions stated herein.

The completion time for this intermediate contract time will be the time the Contractor is required to complete the removal of traffic control devices required for the road closures according to the time restrictions stated herein and restore traffic to the existing traffic pattern

The liquidated damages are **Two Thousand Five Hundred Dollars (\$ 2,500.00)** per fifteen (15) minute time period.

INTERMEDIATE CONTRACT TIME NUMBER 4 AND LIQUIDATED DAMAGES:

(2-20-07) (Rev. 6-18-13)

108

SP1 G14 F

The Contractor shall complete the work required of **Phase I, Step #2B** as shown on Sheet **TMP-3** and shall place and maintain traffic on same.

The time of availability for this intermediate contract time is the **Friday at 11:00 PM** that the Contractor elects to begin the work.

The completion time for this intermediate contract time is the following **Monday at 5:00 AM** after the time of availability.

The liquidated damages are **Two Thousand Five Hundred Dollars (\$ 2,500.00)** per fifteen (15) minute time period.

INTERMEDIATE CONTRACT TIME NUMBER 5 AND LIQUIDATED DAMAGES:

(2-20-07) (Rev. 6-18-13)

108

SPI G14 F

The Contractor shall complete the work required of **Phase I, Step #2C** as shown on Sheet **TMP-3** and shall place and maintain traffic on same.

The time of availability for this intermediate contract time is the **Friday at 11:00 PM** that the Contractor elects to begin the work.

The completion time for this intermediate contract time is the following **Monday at 5:00 AM** after the time of availability.

The liquidated damages are **Two Thousand Five Hundred Dollars (\$ 2,500.00)** per fifteen (15) minute time period.

INTERMEDIATE CONTRACT TIME NUMBER 6 AND LIQUIDATED DAMAGES:

(2-20-07) (Rev. 6-18-13)

108

SPI G14 H

The Contractor shall complete the work required of **Phase II, Steps #2 & #3** as shown on Sheet **TMP-3** and shall place and maintain traffic on same.

The date of availability for this intermediate contract time is the date the Contractor elects to begin the work.

The completion date for this intermediate contract time is the date which is **forty-five (45)** consecutive calendar days after and including the date the Contractor begins this work.

The liquidated damages are **Three Hundred Fifty Dollars (\$ 350.00)** per calendar day.

PERMANENT VEGETATION ESTABLISHMENT:

(2-16-12)(Rev. 1-16-24)

104

SPI G16

Establish a permanent stand of the vegetation mixture shown in the contract. During the period between initial vegetation planting and final project acceptance, perform all work necessary to establish permanent vegetation on all erodible areas within the project limits, as well as, in borrow and waste pits. This work shall include erosion control device maintenance and installation, repair seeding and mulching, supplemental seeding and mulching, mowing, and fertilizer topdressing, as directed. All work shall be performed in accordance with the applicable section of the *Standard Specifications*. All work required for initial vegetation planting shall be performed as a part of the work necessary for the completion and acceptance of the Intermediate Contract Time (ICT). Between the time of ICT and Final Project acceptance, or otherwise referred to as the vegetation establishment period, the Department will be responsible for preparing the required National Pollutant Discharge Elimination System (NPDES) inspection records.

Once the Engineer has determined that the permanent vegetation establishment requirement has been achieved at an 80% vegetation density (the amount of established vegetation per given area

to stabilize the soil) and no erodible areas exist within the project limits, the Contractor will be notified to remove the remaining erosion control devices that are no longer needed. The Contractor will be responsible for, and shall correct any areas disturbed by operations performed in permanent vegetation establishment and the removal of temporary erosion control measures, whether occurring prior to or after placing traffic on the project.

Payment for *Response for Erosion Control, Seeding and Mulching, Repair Seeding, Supplemental Seeding, Mowing, Fertilizer Topdressing, Silt Excavation, and Stone for Erosion Control* will be made at contract unit prices for the affected items. Work required that is not represented by contract line items will be paid in accordance with Articles 104-7 or 104-3 of the *Standard Specifications*. No additional compensation will be made for maintenance and removal of temporary erosion control items.

MAJOR CONTRACT ITEMS:

(2-19-02)(Rev. 1-16-24)

104

SP1 G28

The following listed items are the major contract items for this contract (see Article 104-5 of the *Standard Specifications*):

Line #	Description
7	Borrow Excavation
245	MSE Retaining Wall No W1
246	MSE Retaining Wall No W2

SPECIALTY ITEMS:

(7-1-95)(Rev. 1-16-24)

108-6

SP1 G37

Items listed below will be the specialty items for this contract (see Article 108-6 of the *Standard Specifications*).

Line #	Description
83-90	Guardrail
91-93, 259	Fencing
97-104	Signing
120-125, 133, 136	Long-Life Pavement Markings
126	Removable Tape
137, 238 or 239 or 240 or 241 or 242	Permanent Pavement Markers
138	Lighting
139-176	Utility Construction
177-205	Erosion Control
206-237	Signals/ITS System

FUEL PRICE ADJUSTMENT:

(11-15-05)(Rev. 1-16-24)

109-8

SP1 G43

Page 1-82, Article 109-8, FUEL PRICE ADJUSTMENTS, add the following:

The base index price for DIESEL #2 FUEL is \$ **2.3222** per gallon. Where any of the following are included as pay items in the contract, they will be eligible for fuel price adjustment.

The pay items and the fuel factor used in calculating adjustments to be made will be as follows:

Description	Units	Fuel Usage Factor Diesel
Unclassified Excavation	Gal/CY	0.29
Borrow Excavation	Gal/CY	0.29
Class IV Subgrade Stabilization	Gal/Ton	0.55
Aggregate Base Course	Gal/Ton	0.55
Sub-Ballast	Gal/Ton	0.55
Erosion Control Stone	Gal/Ton	0.55
Rip Rap, Class _____	Gal/Ton	0.55
Asphalt Concrete Base Course, Type _____	Gal/Ton	0.90 or 2.90
Asphalt Concrete Intermediate Course, Type _____	Gal/Ton	0.90 or 2.90
Asphalt Concrete Surface Course, Type _____	Gal/Ton	0.90 or 2.90
Open-Graded Asphalt Friction Course	Gal/Ton	0.90 or 2.90
Permeable Asphalt Drainage Course, Type _____	Gal/Ton	0.90 or 2.90
Sand Asphalt Surface Course, Type _____	Gal/Ton	0.90 or 2.90
Ultra-thin Bonded Wearing Course	Gal/Ton	0.90 or 2.90
Aggregate for Cement Treated Base Course	Gal/Ton	0.55
Portland Cement for Cement Treated Base Course	Gal/Ton	0.55
> 11" Portland Cement Concrete Pavement	Gal/SY	0.327
Concrete Shoulders Adjacent to > 11" Pavement	Gal/SY	0.327
9" to 11" Portland Cement Concrete Pavement	Gal/SY	0.272
Concrete Shoulders Adjacent to 9" to 11" Pavement	Gal/SY	0.272
< 9" Portland Cement Concrete Pavement	Gal/SY	0.245
Concrete Shoulders Adjacent to < 9" Pavement	Gal/SY	0.245

For the asphalt items noted in the chart as eligible for fuel adjustments, the bidder may include the *Fuel Usage Factor Adjustment Form* with their bid submission if they elect to use the fuel usage factor. The *Fuel Usage Factor Adjustment Form* is found at the following link:

<https://connect.ncdot.gov/letting/LetCentral/Fuel%20Usage%20Factor%20Adjustment%20Form%20-%20Starting%20Nov%202022%20Lettings.pdf>

Select either 2.90 Gal/Ton fuel factor or 0.90 Gal/Ton fuel factor for each asphalt line item on the *Fuel Usage Factor Adjustment Form*. The selected fuel factor for each asphalt item will remain in effect for the duration of the contract.

Failure to complete the *Fuel Usage Factor Adjustment Form* will result in using 2.90 gallons per ton as the Fuel Usage Factor for Diesel for the asphalt items noted above. The contractor will not be permitted to change the Fuel Usage Factor after the bids are submitted.

STEEL PRICE ADJUSTMENT:

(4-19-22)(Rev. 12-20-22)

SP1 G47

Description and Purpose

Steel price adjustments will be made to the payments due the Contractor for items as defined herein that are permanently incorporated into the work, when the price of raw steel mill products utilized on the contract have fluctuated. The Department will adjust monthly progress payments up or down as appropriate for cost changes in steel according to this provision.

Eligible Items

The list of eligible bid items for steel price adjustment can be found on the Departments website at the following address:

<https://connect.ncdot.gov/letting/LetCentral/Eligible%20Bid%20Items%20for%20Steel%20Price%20Adjustment.xlsx>

Nuts, bolts, anchor bolts, rebar chairs, connecting bands and other miscellaneous hardware associated with these items shall not be included in the price adjustment.

Adjustments will only be made for fluctuations in the material cost of the steel used in the above products as specified in the Product Relationship Table below. The producing mill is defined as the source of steel product before any fabrication has occurred (e.g., coil, plate, rebar, hot rolled shapes, etc.). No adjustment will be made for changes in the cost of fabrication, coating, shipping, storage, etc.

No steel price adjustments will be made for any products manufactured from steel having an adjustment date, as defined by the Product Relationship Table below, prior to the letting date.

Bid Submittal Requirements

The successful bidder, within 14 calendar days after the notice of award is received by him, shall provide the completed Form SPA-1 to the Department (State Contract Officer or Division Contract Engineer) along with the payment bonds, performance bonds and contract execution signature sheets in a single submittal. If Form SPA-1 is not included in the same submittal as the payment bonds, performance bonds and contract execution signature sheets, the Contractor will not be eligible for any steel price adjustment for any item in the contract for the life of the contract. Form SPA-1 can be found on the Department's website at the following address:

<https://connect.ncdot.gov/letting/LetCentral/Form%20SPA-1.xlsm>

The Contractor shall provide Form SPA-1 listing the Contract Line Number, (with corresponding Item Number, Item Description, and Category) for the steel products they wish to have an adjustment calculated. Only the contract items corresponding to the list of eligible item numbers for steel price adjustment may be entered on Form SPA-1. The Contractor may choose to have steel price adjustment applied to any, all, or none of the eligible items. However, the Contractor's selection of items for steel price adjustment or non-selection (non-participation)

may not be changed once Form SPA-1 has been received by the Department. Items the Bidder chooses for steel price adjustment must be designated by writing the word “Yes” in the column titled “Option” by each Pay Item chosen for adjustment. Should the bidder elect an eligible steel price item, the entire quantity of the line item will be subject to the price adjustment for the duration of the Contract. The Bidder’s designations on Form SPA-1 must be written in ink or typed and signed by the Bidder (Prime Contractor) to be considered complete. Items not properly designated, designated with “No”, or left blank on the Bidder’s Form SPA-1 will automatically be removed from consideration for adjustment. No steel items will be eligible for steel price adjustment on this Project if the Bidder fails to return Form SPA-1 in accordance with this provision.

Establishing the Base Price

The Department will use a blend of monthly average prices as reported from the Fastmarkets platform to calculate the monthly adjustment indices (BI and MI). This data is typically available on the first day of the month for the preceding month. The indices will be calculated by the Department for the different categories found on the Product Relationship Table below. For item numbers that include multiple types of steel products, the category listed for that item number will be used for adjusting each steel component.

The bidding index for Category 1 Steel items is **\$ 37.50** per hundredweight.
 The bidding index for Category 2 Steel items is **\$ 49.34** per hundredweight.
 The bidding index for Category 3 Steel items is **\$ 60.68** per hundredweight.
 The bidding index for Category 4 Steel items is **\$ 37.06** per hundredweight.
 The bidding index for Category 5 Steel items is **\$ 52.19** per hundredweight.
 The bidding index for Category 6 Steel items is **\$ 49.77** per hundredweight.
 The bidding index for Category 7 Steel items is **\$ 39.60** per hundredweight.

The bidding index represents a selling price of steel based on Fastmarkets data for the month of **August 2024**.

- MI = Monthly Index. – in Dollars (\$) per hundredweight (CWT). Use the adjustment indices from the month the steel was shipped from the producing mill, received on the project, or member cast as defined in the Product Relationship Table.
- BI = Bidding Index. - in Dollars (\$) per hundredweight (CWT). Use the adjustment indices as listed in the proposal.

<i>Product Relationship Table</i>			
<i>Steel Product (Title)</i>	BI, MI*	Adjustment Date for MI	Category
Reinforcing Steel, Bridge Deck, and SIP Forms	Based on one or more Fastmarkets indices	Delivery Date from Producing Mill	1
Structural Steel and Encasement Pipe	Based on one or more Fastmarkets indices	Delivery Date from Producing Mill	2
Steel H-Piles, Soldier Pile Walls	Based on one or more Fastmarkets indices	Delivery Date from Producing Mill	3
Guardrail Items and Pipe	Based on one or more	Material Received Date**	4

Piles	Fastmarkets indices		
Fence Items	Based on one or more Fastmarkets indices	Material Received Date**	5
Overhead Sign Assembly, Signal Poles, High Mount Standards	Based on one or more Fastmarkets indices	Material Received Date**	6
Prestressed Concrete Members	Based on one or more Fastmarkets indices	Cast Date of Member	7
* BI and MI are in converted units of Dollars per Hundredweight (\$/CWT)			
** Material Received Date is defined as the date the materials are received on the project site. If a material prepayment is made for a Category 4-6 item, the Adjustment Date to be used will be the date of the prepayment request instead of the Materials Received Date.			

Submit documentation to the Engineer for all items listed in the Contract for which the Contractor is requesting a steel price adjustment.

Submittal Requirements

The items in categories 1,2, and 3, shall be specifically stored, labeled, or tagged, recognizable by color marking, and identifiable by Project for inspection and audit verification immediately upon arrival at the fabricator.

Furnish the following documentation for all steel products to be incorporated into the work and documented on Form SPA-2, found on the Departments website at the following address:

<https://connect.ncdot.gov/projects/construction/Construction%20Forms/Form%20SPA-2.xlsx>

Submit all documentation to the Engineer prior to incorporation of the steel into the completed work. The Department will withhold progress payments for the affected contract line item if the documentation is not provided and at the discretion of the Engineer the work is allowed to proceed. Progress payments will be made upon receipt of the delinquent documentation.

Step 1 (Form SPA -2)

Utilizing Form SPA-2, submit separate documentation packages for each line item from Form SPA-1 for which the Contractor opted for a steel price adjustment. For line items with multiple components of steel, each component should be listed separately. Label each SPA-2 documentation package with a unique number as described below.

- a. Documentation package number: (Insert the contract line-item) - (Insert sequential package number beginning with "1").

Example: 412 - 1,
412 - 2,
424 - 1,
424 - 2,
424 - 3, etc.

- b. The steel product quantity in pounds

- i. The following sources should be used, in declining order of precedence, to determine the weight of steel/iron, based on the Engineers decision:
 1. Department established weights of steel/iron by contract pay item per pay unit;
 2. Approved Shop Drawings;
 3. Verified Shipping Documents;
 4. Contract Plans;
 5. Standard Drawing Sheets;
 6. Industry Standards (i.e., AISC Manual of Steel Construction, AWWA Standards, etc.); and
 7. Manufacture's data.
- ii. Any item requiring approved shop drawings shall have the weights of steel calculated and shown on the shop drawings or submitted and certified separately by the fabricator.
- c. The date the steel product, subject to adjustment, was shipped from the producing mill (Categories 1-3), received on the project (Categories 4-6), or casting date (Category 7).

Step 2 (Monthly Calculator Spreadsheet)

For each month, upon the incorporation of the steel product into the work, provide the Engineer the following:

- 1) Completed NCDOT Steel Price Adjustment Calculator Spreadsheet, summarizing all the steel submittal packages (Form SPA-2) actually incorporated into the completed work in the given month.
 - a. Contract Number
 - b. Bidding Index Reference Month
 - c. Contract Completion Date or Revised Completion Date
 - d. County, Route, and Project TIP information
 - e. Item Number
 - f. Line-Item Description
 - g. Submittal Number from Form SPA-2
 - h. Adjustment date
 - i. Pounds of Steel
- 2) An affidavit signed by the Contractor stating the documentation provided in the NCDOT Steel Price Adjustment Calculator Spreadsheet is true and accurate.

Price Adjustment Conditions

Download the Monthly Steel Adjustment Spreadsheet with the most current reference data from the Department's website each month at the following address:

<https://connect.ncdot.gov/projects/construction/Construction%20Forms/Form%20SPA-3%20NCDOT%20Steel%20Price%20Adjustment%20Calculator.xlsx>

If the monthly Fastmarkets data is not available, the data for the most recent immediately preceding month will be used as the basis for adjustment.

Price Adjustment Calculations

The price adjustment will be determined by comparing the percentage of change in index value listed in the proposal (BI) to the monthly index value (MI). (See included sample examples). Weights and date of shipment must be documented as required herein. The final price adjustment dollar value will be determined by multiplying this percentage increase or decrease in the index by the represented quantity of steel incorporated into the work, and the established bidding index (BI) subject to the limitations herein.

Price increase/decrease will be computed as follows:

$$\text{SPA} = ((\text{MI} / \text{BI}) - 1) * \text{BI} * (\text{Q} / 100)$$

Where;

SPA = Steel price adjustment in dollars

MI = Monthly Shipping Index. – in Dollars (\$) per hundredweight (CWT). Use the adjustment indices from the month the steel was shipped from the producing mill, received on the project, or member cast as defined in the Product Relationship Table.

BI = Bidding Index. - in Dollars (\$) per hundredweight (CWT). Use the adjustment indices as listed in the proposal.

Q = Quantity of steel, product, pounds actually incorporated into the work as documented by the Contractor, or Design Build Team and verified by the Engineer.

Calculations for price adjustment shall be shown separate from the monthly progress estimate and will not be included in the total cost of work for determination of progress or for extension of Contract time in accordance with Subarticle 108-10(B)(1).

Any apparent attempt to unbalance bids in favor of items subject to price adjustment may result in rejection of the bid proposal.

Adjustments will be paid or charged to the Contractor only. Any Contractor receiving an adjustment under this provision shall distribute the proper proportional part of such adjustments to the subcontractor who performed the applicable work.

Delays to the work caused by steel shortages may be justification for a Contract time extension but will not constitute grounds for claims for standby equipment, extended office overhead, or other costs associated with such delays.

If an increase in the steel material price is anticipated to exceed 50% of the original quoted price, the contractor must notify the Department within 7 days prior to purchasing the material. Upon receipt of such notification, the Department will direct the Contractor to either (1) proceed with the work or (2) suspend the work and explore the use of alternate options.

If the decrease in the steel material exceeds 50% of the original quoted price, the contractor may submit to the Department additional market index information specific to the item in question to dispute the decrease. The Department will review this information and determine if the decrease is warranted.

When the steel product adjustment date, as defined in the Product Relationship Table, is after the approved contract completion date, the steel price adjustments will be based on the lesser value of either the MI for the month of the approved contract completion date or the MI for the actual adjustment date.

If the price adjustment is based on estimated material quantities for that time, and a revision to the total material quantity is made in a subsequent or final estimate, an appropriate adjustment will be made to the price adjustment previously calculated. The adjustment will be based on the same indices used to calculate the price adjustment which is being revised. If the adjustment date of the revised material quantity cannot be determined, the adjustment for the quantity in question, will be based on the indices utilized to calculate the steel price adjustment for the last initial documentation package submission, for the steel product subject to adjustment, that was incorporated into the particular item of work, for which quantities are being finalized.

Example: Structural steel for a particular bridge was provided for in three different shipments with each having a different mill shipping date. The quantity of structural steel actually used for the bridge was calculated and a steel price adjustment was made in a progress payment. At the conclusion of the work an error was found in the plans of the final quantity of structural steel used for the bridge. The quantity to be adjusted cannot be directly related to any one of the three mill shipping dates. The steel price adjustment for the quantity in question would be calculated using the indices that were utilized to calculate the steel price adjustment for the quantity of structural steel represented by the last initial structural steel documentation package submission. The package used will be the one with the greatest sequential number.

Extra Work/Force Account:

When steel products, as specified herein, are added to the contract as extra work, in accordance with the provisions of Article 104-7 or 104-3, the Engineer will determine and specify in the supplemental agreement, the need for application of steel price adjustments on a case-by-case basis. No steel price adjustments will be made for any products manufactured from steel having an adjustment date prior to the supplemental agreement execution date. Price adjustments will be made as provided herein, except the Bidding Index will be based on the month in which the supplemental agreement pricing was executed.

For work performed on force account basis, reimbursement of actual material costs, along with the specified overhead and profit markup, will be considered to include full compensation for the current cost of steel and no steel price adjustments will be made.

Examples Form SPA-2

Steel Price Adjustment Submission Form

Contract Number C203394 Bid Reference Month January 2019

Submittal Date 8/31/2019

Contract Line Item 237

Line Item Description APPROX....LBS Structural Steel

Sequential Submittal Number 2

Supplier	Description of material	Location information	Quantity in lbs.	Adjustment Date
XYZ mill	Structural Steel	Structure 3, Spans A-C	1,200,000	May 4, 2020
ABC distributing	Various channel & angle shapes	Structure 3 Spans A-C	35,000	July 14, 2020
		Total Pounds of Steel	1,235,000	

- Note: Attach the following supporting documentation to this form.
- Bill of Lading to support the shipping dates
 - Supporting information for weight documentation (e.g., Pay item reference, Shop drawings, shipping documents, Standards Sheets, industry standards, or manufacturer's data)

By providing this data under my signature, I attest to the accuracy of and validity of the data on this form and certify that no deliberate misrepresentation in any manner has occurred.

Printed Name

Signature

Examples Form SPA-2
Steel Price Adjustment Submission Form

Contract Number C203394 Bid Reference Month January 2019

Submittal Date August 31, 2019

Contract Line Item 237

Line Item Description SUPPORT, OVRHD SIGN STR -DFEB – STA 36+00

Sequential Submittal Number 2

Supplier	Description of material	Location information	Quantity in lbs.	Adjustment Date
XYZ mill	Tubular Steel (Vertical legs)	<u>-DFEB – STA 36+00</u>	12000	December 11, 2021
PDQ Mill	4” Tubular steel (Horizontal legs)	<u>-DFEB – STA 36+00</u>	5900	December 11, 2021
ABC distributing	Various channel & angle shapes (see quote)	<u>-DFEB – STA 36+00</u>	1300	December 11, 2021
	Catwalk assembly	<u>-DFEB – STA 36+00</u>	2000	December 11, 2021
Nucor	Flat plate	<u>-DFEB – STA 36+00</u>	650	December 11, 2021
		Total Pounds of Steel	21,850	

Note: Attach the following supporting documentation to this form.

- Bill of Lading to support the shipping dates
- Supporting information for weight documentation (e.g., Pay item reference, Shop drawings, shipping documents, Standards Sheets, industry standards, or manufacturer's data)

By providing this data under my signature, I attest to the accuracy of and validity of the data on this form and certify that no deliberate misrepresentation in any manner has occurred.

Printed Name

Signature

Price Adjustment Sample Calculation (increase)

Project bid on September 17, 2019

Line Item 635 "Structural Steel" has a plan quantity of 2,717,000 lbs.

Bidding Index for Structural Steel (Category 2) in the proposal was \$36.12/CWT = BI

450,000 lbs. of Structural Steel for Structure 2 at Station 44+08.60 were shipped to fabricator from the producing mill in same month, May 2021.

Monthly Index for Structural Steel (Category 2) for May 2021 was \$64.89/CWT = MI

The Steel Price Adjustment formula is as follows:

$$\text{SPA} = ((\text{MI} / \text{BI}) - 1) * \text{BI} * (\text{Q} / 100)$$

Where; SPA = Steel price adjustment in dollars

BI = Bidding Index – in dollars (\$) per hundredweight (CWT). Use the adjustment indices as listed in the proposal.

MI = Mill Shipping Index – in dollars (\$) per hundredweight (CWT). Use the adjustment indices from the month the steel was shipped from the producing mill, received on the project, or member cast as defined in the Product Relationship Table.

Q = Quantity of steel product, in pounds (lbs.) actually incorporated into the work as documented by the Contractor, or Design Build Team and verified by the Engineer.

$$\text{BI} = \$36.12 / \text{CWT}$$

$$\text{MI} = \$64.89 / \text{CWT}$$

$$\% \text{ change} = ((\text{MI} / \text{BI}) - 1) = (\$64.89 / \$36.12 - 1) = (1.79651 - 1) = 0.79651162791$$

$$\text{Q} = 450,000 \text{ lbs.}$$

$$\text{SPA} = 0.79651162791 \times \$36.12 \times (450,000 / 100)$$

$$\text{SPA} = 0.79651162791 * \$36.12 * 4,500$$

$$\text{SPA} = \$129,465 \text{ pay adjustment to Contractor for Structural Steel (Structure 2 at Station 44+08.60)}$$

Price Adjustment Sample Calculation (decrease)

Project bid on December 18, 2018

Line Item 635 Structural Steel has a plan quantity of 2,717,000 lbs.

Bidding Index for Structural Steel (Category 2) in the proposal was \$46.72/CWT = BI

600,000 lbs. of Structural Steel for Structure 1 at Station 22+57.68 were shipped to fabricator from the producing mill in same month, August 2020.

Monthly Index for Structural Steel (Category 2) for August 2020 was \$27.03/CWT = MI

The Steel Price Adjustment formula is as follows:

$$\text{SPA} = ((\text{MI} / \text{BI}) - 1) * \text{BI} * (\text{Q} / 100)$$

Where; SPA = Steel price adjustment in dollars

BI = Bidding Index – in dollars (\$) per hundredweight (CWT). Use the adjustment indices as listed in the proposal.

MI = Mill Shipping Index – in dollars (\$) per hundredweight (CWT). Use the adjustment indices from the month the steel was shipped from the producing mill, received on the project, or member cast as defined in the Product Relationship Table.

Q = Quantity of steel product, in pounds (lbs.) actually incorporated into the work as documented by the Contractor, or Design Build Team and verified by the Engineer.

$$\text{BI} = \$46.72 / \text{CWT}$$

$$\text{MI} = \$27.03 / \text{CWT}$$

$$\% \text{ change} = ((\text{MI} / \text{BI}) - 1) = (\$27.03 / \$46.72 - 1) = (0.57855 - 1) = -0.421446917808$$

$$\text{Q} = 600,000 \text{ lbs.}$$

$$\text{SPA} = -0.421446917808 * \$46.72 * (600,000 / 100)$$

$$\text{SPA} = -0.421446917808 * \$46.72 * 6,000$$

$$\text{SPA} = \$ 118,140.00 \text{ Credit to the Department for Structural Steel (Structure 1 at Station 22+57.68)}$$

Price Adjustment Sample Calculation (increase)

Project bid on July 16, 2020

Line Item 614 Reinforced Concrete Deck Slab has a plan quantity of 241974 lbs.

Bidding Index Reference Month was May 2020. Bidding Index for Reinforced Concrete Deck Slab (Category 1) in the proposal was \$29.21/CWT = BI

51,621 lbs. of reinforcing steel and 52,311 lbs. of epoxy coated reinforcing steel for Structure 2 at Station 107+45.55 -L- was shipped to fabricator from the producing mill in same month, May 2021.

Monthly Index for Reinforced Concrete Deck Slab (Category 1) for May 2021 was \$43.13/CWT = MI

The Steel Price Adjustment formula is as follows:

$$\text{SPA} = ((\text{MI} / \text{BI}) - 1) * \text{BI} * (\text{Q} / 100)$$

Where; SPA = Steel price adjustment in dollars

BI = Bidding Index – in dollars (\$) per hundredweight (CWT). Use the adjustment indices as listed in the proposal.

MI = Mill Shipping Index – in dollars (\$) per hundredweight (CWT). Use the adjustment indices from the month the steel was shipped from the producing mill, received on the project, or member cast as defined in the Product Relationship Table.

Q = Quantity of steel product, in pounds (lbs.) actually incorporated into the work as documented by the Contractor, or Design Build Team and verified by the Engineer.

$$\text{BI} = \$29.21 / \text{CWT}$$

$$\text{MI} = \$43.13 / \text{CWT}$$

$$\% \text{ change} = ((\text{MI} / \text{BI}) - 1) = (\$43.13 / \$29.21 - 1) = (1.47655 - 1) = 0.47654912701$$

$$\text{Q} = 103932 \text{ lbs.}$$

$$\text{SPA} = 0.47654912701 * \$29.21 * (103,932 / 100)$$

$$\text{SPA} = 0.47654912701 * \$29.21 * 1,039.32$$

SPA = \$14,467.33 Pay Adjustment to Contractor for Reinforced Concrete Deck Slab (Category 1) at Station 107+45.55 -L-

SCHEDULE OF ESTIMATED COMPLETION PROGRESS:

(7-15-08)(Rev. 7-16-24)

108-2

SP1 G58

The Contractor's attention is directed to the Standard Special Provision entitled *Availability of Funds Termination of Contracts* included elsewhere in this proposal. The Department of Transportation's schedule of estimated completion progress for this project as required by that Standard Special Provision is as follows:

	<u>Fiscal Year</u>	<u>Progress (% of Dollar Value)</u>
2025	(7/01/24 - 6/30/25)	28% of Total Amount Bid
2026	(7/01/25 - 6/30/26)	40% of Total Amount Bid
2027	(7/01/26 - 6/30/27)	29% of Total Amount Bid
2028	(7/01/27 - 6/30/28)	3% of Total Amount Bid

The Contractor shall also furnish his own progress schedule in accordance with Article 108-2 of the *Standard Specifications*. Any acceleration of the progress as shown by the Contractor's progress schedule over the progress as shown above shall be subject to the approval of the Engineer.

DISADVANTAGED BUSINESS ENTERPRISE:

(10-16-07)(Rev. 5-9-24)

102-15(J)

SP1 G61

Description

The purpose of this Special Provision is to carry out the U.S. Department of Transportation's policy of ensuring nondiscrimination in the award and administration of contracts financed in whole or in part with Federal funds. This provision is guided by 49 CFR Part 26.

Definitions

Additional DBE Subcontractors - Any DBE submitted at the time of bid that will not be used to meet the DBE goal. No submittal of a Letter of Intent is required.

Committed DBE Subcontractor - Any DBE submitted at the time of bid that is being used to meet the DBE goal by submission of a Letter of Intent. Or any DBE used as a replacement for a previously committed DBE firm.

Contract Goal Requirement - The approved DBE participation at time of award, but not greater than the advertised contract goal.

DBE Goal - A portion of the total contract, expressed as a percentage, that is to be performed by committed DBE subcontractor(s).

Disadvantaged Business Enterprise (DBE) - A firm certified as a Disadvantaged Business Enterprise through the North Carolina Unified Certification Program.

Goal Confirmation Letter - Written documentation from the Department to the bidder confirming the Contractor's approved, committed DBE participation along with a listing of the committed DBE firms.

Manufacturer - A firm that owns (or leases) and operates or maintains a factory or establishment that produces on the premises, the materials or supplies obtained by the Contractor. A firm that makes minor modifications to the materials, supplies, articles, or equipment is not a manufacturer.

Regular Dealer - A firm that owns (or leases), and operates a store, warehouse, or other establishment in which the materials or supplies required for the performance of the contract are bought, kept in sufficient quantities, and regularly sold to the public in the usual course of business. A regular dealer engages in, as its principal business and in its own name, the purchase and sale or lease of the products in question. A regular dealer in such bulk items as steel, concrete or concrete products, gravel, stone, asphalt and petroleum products need not keep such products in stock, if it owns and operates distribution equipment for the products. Any supplement of regular dealers' own distribution equipment shall be by a long-term operating lease and not on an ad hoc or contract-by-contract basis.

Distributor - A firm that engages in the regular sale or lease of the items specified by the contract. A distributor assumes responsibility for the items it purchases once they leave the point of origin (e.g., a manufacturer's facility), making it liable for any loss or damage not covered by the carrier's insurance.

Replacement / Substitution - A full or partial reduction in the amount of work subcontracted to a committed (or an approved substitute) DBE firm.

North Carolina Unified Certification Program (NCUCP) - A program that provides comprehensive services and information to applicants for DBE certification, such that an applicant is required to apply only once for a DBE certification that will be honored by all recipients of USDOT funds in the state and not limited to the Department of Transportation only. The Certification Program is in accordance with 49 CFR Part 26.

United States Department of Transportation (USDOT) - Federal agency responsible for issuing regulations (49 CFR Part 26) and official guidance for the DBE program.

Forms and Websites Referenced in this Provision

DBE Payment Tracking System - On-line system in which the Contractor enters the payments made to DBE subcontractors who have performed work on the project.
<https://apps.dot.state.nc.us/Vendor/PaymentTracking/>

DBE-IS Subcontractor Payment Information - Form for reporting the payments made to all DBE firms working on the project. This form is for paper bid projects only.
<https://connect.ncdot.gov/business/Turnpike/Documents/Form%20DBE-IS%20Subcontractor%20Payment%20Information.pdf>

RF-1 DBE Replacement Request Form - Form for replacing a committed DBE.
<https://connect.ncdot.gov/projects/construction/Construction%20Forms/DBE%20MBE%20WBE%20Replacement%20Form%20and%20Instructions.pdf>

SAF *Subcontract Approval Form* - Form required for approval to sublet the contract.

<https://connect.ncdot.gov/projects/construction/Construction%20Forms/SAF%20Form%20-%20Subcontract%20Approval%20Form%20Revised%2004-19.xlsm>

JC-1 *Joint Check Notification Form* - Form and procedures for joint check notification. The form acts as a written joint check agreement among the parties providing full and prompt disclosure of the expected use of joint checks.

<https://connect.ncdot.gov/projects/construction/Construction%20Forms/Joint%20Check%20Notification%20Form.pdf>

Letter of Intent - Form signed by the Contractor and the DBE subcontractor, manufacturer or regular dealer that affirms that a portion of said contract is going to be performed by the signed DBE for the estimated amount (based on quantities and unit prices) listed at the time of bid.

<http://connect.ncdot.gov/letting/LetCentral/Letter%20of%20Intent%20to%20Perform%20as%20a%20Subcontractor.pdf>

Listing of DBE Subcontractors Form - Form for entering DBE subcontractors on a project that will meet this DBE goal. This form is for paper bids only.

[http://connect.ncdot.gov/municipalities/Bid%20Proposals%20for%20LGA%20Content/08%20DBE%20Subcontractors%20\(Federal\).docx](http://connect.ncdot.gov/municipalities/Bid%20Proposals%20for%20LGA%20Content/08%20DBE%20Subcontractors%20(Federal).docx)

Subcontractor Quote Comparison Sheet - Spreadsheet for showing all subcontractor quotes in the work areas where DBEs quoted on the project. This sheet is submitted with good faith effort packages.

<http://connect.ncdot.gov/business/SmallBusiness/Documents/DBE%20Subcontractor%20Quote%20Comparison%20Example.xls>

DBE Regular Dealer/Distributor Affirmation Form – Form is used to make a preliminary counting determination for each DBE listed as a regular dealer or distributor to assess its eligibility for 60 or 40 percent credit, respectively of the cost of materials or supplies based on its demonstrated capacity and intent to perform as a regular dealer or distributor, as defined in section 49 CFR 26.55 under the contract at issue. A Contractor will submit the completed form with the Letter of Intent.

<https://connect.ncdot.gov/projects/construction/Construction%20Forms/DBE%20Regular%20Dealer-Distributor%20Affirmation%20Form%20-%20USDOT%202024.pdf>

DBE Goal

The following DBE goal for participation by Disadvantaged Business Enterprises is established for this contract:

Disadvantaged Business Enterprises **4.0%**

- (A) *If the DBE goal is more than zero*, the Contractor shall exercise all necessary and reasonable steps to ensure that DBEs participate in at least the percent of the contract as set forth above as the DBE goal.

- (B) *If the DBE goal is zero*, the Contractor shall make an effort to recruit and use DBEs during the performance of the contract. Any DBE participation obtained shall be reported to the Department.

Directory of Transportation Firms (Directory)

Real-time information is available about firms doing business with the Department and firms that are certified through NCUCP in the Directory of Transportation Firms. Only firms identified in the Directory as DBE certified shall be used to meet the DBE goal. The Directory can be found at the following link. [https:// www.ebs.nc.gov/VendorDirectory/default.html](https://www.ebs.nc.gov/VendorDirectory/default.html)

The listing of an individual firm in the directory shall not be construed as an endorsement of the firm's capability to perform certain work.

Listing of DBE Subcontractors

At the time of bid, bidders shall submit all DBE participation that they anticipate to use during the life of the contract. Only those identified to meet the DBE goal will be considered committed, even though the listing shall include both committed DBE subcontractors and additional DBE subcontractors. Additional DBE subcontractor participation submitted at the time of bid will be used toward the Department's overall race-neutral goal. Only those firms with current DBE certification at the time of bid opening will be acceptable for listing in the bidder's submittal of DBE participation. The Contractor shall indicate the following required information:

(A) **Electronic Bids**

Bidders shall submit a listing of DBE participation in the appropriate section of the electronic submittal file.

- (1) Submit the names and addresses of DBE firms identified to participate in the contract. If the bidder uses the updated listing of DBE firms shown in the electronic submittal file, the bidder may use the dropdown menu to access the name and address of the DBE firm.
- (2) Submit the contract line numbers of work to be performed by each DBE firm. When no figures or firms are entered, the bidder will be considered to have no DBE participation.
- (3) The bidder shall be responsible for ensuring that the DBE is certified at the time of bid by checking the Directory of Transportation Firms. If the firm is not certified at the time of the bid-letting, that DBE's participation will not count towards achieving the DBE goal.

(B) Paper Bids

- (1) *If the DBE goal is more than zero,*
 - (a) Bidders, at the time the bid proposal is submitted, shall submit a listing of DBE participation, including the names and addresses on *Listing of DBE Subcontractors* contained elsewhere in the contract documents in order for the bid to be considered responsive. Bidders shall indicate the total dollar value of the DBE participation for the contract.
 - (b) If bidders have no DBE participation, they shall indicate this on the *Listing of DBE Subcontractors* by entering the word “None” or the number “0.” This form shall be completed in its entirety. **Blank forms will not be deemed to represent zero participation.** Bids submitted that do not have DBE participation indicated on the appropriate form will not be read publicly during the opening of bids. The Department will not consider these bids for award and the proposal will be rejected.
 - (c) The bidder shall be responsible for ensuring that the DBE is certified at the time of bid by checking the Directory of Transportation Firms. If the firm is not certified at the time of the bid-letting, that DBE’s participation will not count towards achieving the corresponding goal.
- (2) *If the DBE goal is zero,* entries on the *Listing of DBE Subcontractors* are not required for the zero goal, however any DBE participation that is achieved during the project shall be reported in accordance with requirements contained elsewhere in the special provision.

DBE Prime Contractor

When a certified DBE firm bids on a contract that contains a DBE goal, the DBE firm is responsible for meeting the goal or making good faith efforts to meet the goal, just like any other bidder. In most cases, a DBE bidder on a contract will meet the DBE goal by virtue of the work it performs on the contract with its own forces. However, all the work that is performed by the DBE bidder and any other DBE subcontractors will count toward the DBE goal. The DBE bidder shall list itself along with any DBE subcontractors, if any, in order to receive credit toward the DBE goal.

For example, if the DBE goal is 45% and the DBE bidder will only perform 40% of the contract work, the prime will list itself at 40%, and the additional 5% shall be obtained through additional DBE participation with DBE subcontractors or documented through a good faith effort.

DBE prime contractors shall also follow Sections A and B listed under *Listing of DBE Subcontractor* just as a non-DBE bidder would.

Written Documentation – Letter of Intent

The bidder shall submit written documentation for each DBE that will be used to meet the DBE goal of the contract, indicating the bidder's commitment to use the DBE in the contract. This documentation shall be submitted on the Department's form titled *Letter of Intent*.

The documentation shall be received in the office of the State Contractor Utilization Engineer or at DBE@ncdot.gov no later than 10:00 a.m. of the sixth calendar day following opening of bids, unless the sixth day falls on an official state holiday. In that situation, it is due in the office of the State Contractor Utilization Engineer no later than 10:00 a.m. on the next official state business day.

If the bidder fails to submit the Letter of Intent from each committed DBE to be used toward the DBE goal, or if the form is incomplete (i.e. both signatures are not present), the DBE participation will not count toward meeting the DBE goal. If the lack of this participation drops the commitment below the DBE goal, the Contractor shall submit evidence of good faith efforts, completed in its entirety, to the State Contractor Utilization Engineer or DBE@ncdot.gov no later than 10:00 a.m. on the eighth calendar day following opening of bids, unless the eighth day falls on an official state holiday. In that situation, it is due in the office of the State Contractor Utilization Engineer no later than 10:00 a.m. on the next official state business day.

Submission of Good Faith Effort

If the bidder fails to meet or exceed the DBE goal, the apparent lowest responsive bidder shall submit to the Department documentation of adequate good faith efforts made to reach the DBE goal.

A hard copy and an electronic copy of this information shall be received in the office of the State Contractor Utilization Engineer or at DBE@ncdot.gov no later than 10:00 a.m. on the sixth calendar day following opening of bids unless the sixth day falls on an official state holiday. In that situation, it is due in the office of the State Contractor Utilization Engineer no later than 10:00 a.m. on the next official state business day. If the Contractor cannot send the information electronically, then one complete set and 5 copies of this information shall be received under the same time constraints above.

Note: Where the information submitted includes repetitious solicitation letters, it will be acceptable to submit a representative letter along with a distribution list of the firms that were solicited. Documentation of DBE quotations shall be a part of the good faith effort submittal. This documentation may include written subcontractor quotations, telephone log notations of verbal quotations, or other types of quotation documentation.

Consideration of Good Faith Effort for Projects with DBE Goals More Than Zero

Adequate good faith efforts mean that the bidder took all necessary and reasonable steps to achieve the goal which, by their scope, intensity, and appropriateness, could reasonably be expected to obtain sufficient DBE participation. Adequate good faith efforts also mean that the bidder actively and aggressively sought DBE participation. Mere *pro forma* efforts are not considered good faith efforts.

The Department will consider the quality, quantity, and intensity of the different kinds of efforts a bidder has made. Listed below are examples of the types of actions a bidder will take in making a good faith effort to meet the goal and are not intended to be exclusive or exhaustive, nor is it intended to be a mandatory checklist.

- (A) Soliciting through all reasonable and available means (e.g. attendance at pre-bid meetings, advertising, written notices, use of verifiable electronic means through the use of the NCDOT Directory of Transportation Firms) the interest of all certified DBEs who have the capability to perform the work of the contract. The bidder must solicit this interest within at least 10 days prior to bid opening to allow the DBEs to respond to the solicitation. Solicitation shall provide the opportunity to DBEs within the Division and surrounding Divisions where the project is located. The bidder must determine with certainty if the DBEs are interested by taking appropriate steps to follow up initial solicitations.
- (B) Selecting portions of the work to be performed by DBEs in order to increase the likelihood that the DBE goals will be achieved.
 - (1) Where appropriate, break out contract work items into economically feasible units to facilitate DBE participation, even when the prime contractor might otherwise prefer to perform these work items with its own forces.
 - (2) Negotiate with subcontractors to assume part of the responsibility to meet the contract DBE goal when the work to be sublet includes potential for DBE participation (2nd and 3rd tier subcontractors).
- (C) Providing interested DBEs with adequate information about the plans, specifications, and requirements of the contract in a timely manner to assist them in responding to a solicitation.
- (D) (1) Negotiating in good faith with interested DBEs. It is the bidder's responsibility to make a portion of the work available to DBE subcontractors and suppliers and to select those portions of the work or material needs consistent with the available DBE subcontractors and suppliers, to facilitate DBE participation. Evidence of such negotiation includes the names, addresses, and telephone numbers of DBEs that were considered; a description of the information provided regarding the plans and specifications for the work selected for subcontracting; and evidence as to why additional agreements could not be reached for DBEs to perform the work.

- (2) A bidder using good business judgment would consider a number of factors in negotiating with subcontractors, including DBE subcontractors, and would take a firm's price and capabilities as well as contract goals into consideration. However, the fact that there may be some additional costs involved in finding and using DBEs is not in itself sufficient reason for a bidder's failure to meet the contract DBE goal, as long as such costs are reasonable. Also, the ability or desire of a prime contractor to perform the work of a contract with its own organization does not relieve the bidder of the responsibility to make good faith efforts. Bidding contractors are not, however, required to accept higher quotes from DBEs if the price difference is excessive or unreasonable.
- (E) Not rejecting DBEs as being unqualified without sound reasons based on a thorough investigation of their capabilities. The bidder's standing within its industry, membership in specific groups, organizations, or associates and political or social affiliations (for example, union vs. non-union employee status) are not legitimate causes for the rejection or non-solicitation of bids in the bidder's efforts to meet the project goal.
- (F) Making efforts to assist interested DBEs in obtaining bonding, lines of credit, or insurance as required by the recipient or bidder.
- (G) Making efforts to assist interested DBEs in obtaining necessary equipment, supplies, materials, or related assistance or services.
- (H) Effectively using the services of available minority/women community organizations; minority/women contractors' groups; Federal, State, and local minority/women business assistance offices; and other organizations as allowed on a case-by-case basis to provide assistance in the recruitment and placement of DBEs. Contact within 7 days from the bid opening the Business Opportunity and Work Force Development Unit at BOWD@ncdot.gov to give notification of the bidder's inability to get DBE quotes.
- (I) Any other evidence that the bidder submits which shows that the bidder has made reasonable good faith efforts to meet the DBE goal.

In addition, the Department may take into account the following:

- (1) Whether the bidder's documentation reflects a clear and realistic plan for achieving the DBE goal.
- (2) The bidders' past performance in meeting the DBE goals.
- (3) The performance of other bidders in meeting the DBE goal. For example, when the apparent successful bidder fails to meet the DBE goal, but others meet it, you may reasonably raise the question of whether, with additional reasonable efforts the apparent successful bidder could have met the goal. If the apparent successful bidder fails to meet the DBE goal, but meets or exceeds the average DBE participation obtained by other bidders, the Department may view this, in conjunction with other factors, as evidence of the apparent successful bidder having made a good faith effort.

If the Department does not award the contract to the apparent lowest responsive bidder, the Department reserves the right to award the contract to the next lowest responsive bidder that can satisfy to the Department that the DBE goal can be met or that an adequate good faith effort has been made to meet the DBE goal.

Non-Good Faith Appeal

The State Prequalification Engineer will notify the Contractor verbally and in writing of non-good faith. A Contractor may appeal a determination of non-good faith made by the Goal Compliance Committee. If a Contractor wishes to appeal the determination made by the Committee, they shall provide written notification to the State Prequalification Engineer. The appeal shall be made within 2 business days of notification of the determination of non-good faith.

Counting DBE Participation Toward Meeting DBE Goal

(A) Participation

The total dollar value of the participation by a committed DBE will be counted toward the contract goal requirement. The total dollar value of participation by a committed DBE will be based upon the value of work performed by the DBE and the actual payments to DBE firms by the Contractor.

(B) Joint Checks

Prior notification of joint check use shall be required when counting DBE participation for services or purchases that involves the use of a joint check. Notification shall be through submission of Form JC-1 (*Joint Check Notification Form*) and the use of joint checks shall be in accordance with the Department's Joint Check Procedures.

(C) Subcontracts (Non-Trucking)

A DBE may enter into subcontracts. Work that a DBE subcontracts to another DBE firm may be counted toward the contract goal requirement. Work that a DBE subcontracts to a non-DBE firm does not count toward the contract goal requirement. If a DBE contractor or subcontractor subcontracts a significantly greater portion of the work of the contract than would be expected on the basis of standard industry practices, it shall be presumed that the DBE is not performing a commercially useful function. The DBE may present evidence to rebut this presumption to the Department. The Department's decision on the rebuttal of this presumption is subject to review by the Federal Highway Administration but is not administratively appealable to USDOT.

(D) Joint Venture

When a DBE performs as a participant in a joint venture, the Contractor may count toward its contract goal requirement a portion of the total value of participation with the

DBE in the joint venture, that portion of the total dollar value being a distinct clearly defined portion of work that the DBE performs with its forces.

(E) Manufacturer, Regular Dealer, Distributor

A Contractor may count toward its DBE requirement 40 percent of its expenditures for materials or supplies (including transportation costs) from a DBE distributor, 60 percent of its expenditures for materials or supplies (including transportation costs) from a DBE regular dealer and 100 percent of such expenditures obtained from a DBE manufacturer.

A Contractor may count toward its DBE requirement the following expenditures to DBE firms that are not manufacturers, regular dealers or distributors:

- (1) The fees or commissions charged by a DBE firm for providing a *bona fide* service, such as professional, technical, consultant, or managerial services, or for providing bonds or insurance specifically required for the performance of a DOT-assisted contract, provided the fees or commissions are determined to be reasonable and not excessive as compared with fees and commissions customarily allowed for similar services.
- (2) With respect to materials or supplies purchased from a DBE, which is neither a manufacturer, regular dealer, nor a distributor count the entire amount of fees or commissions charged that the Department deems to be reasonable, including transportation charges for the delivery of materials or supplies. Do not count any portion of the cost of the materials and supplies themselves.

A Contractor will submit a completed *DBE Regular Dealer/Distributor Affirmation Form* with the Letter of Intent to the State Contractor Utilization Engineer or DBE@ncdot.gov. The State Contractor Utilization Engineer will make a preliminary assessment as to whether a DBE supplier has the demonstrated capacity to perform a commercially useful function (CUF) on a contract-by-contract basis *prior* to its participation.

Commercially Useful Function

(A) DBE Utilization

The Contractor may count toward its contract goal requirement only expenditures to DBEs that perform a commercially useful function in the work of a contract. A DBE performs a commercially useful function when it is responsible for execution of the work of the contract and is carrying out its responsibilities by performing, managing, and supervising the work involved. To perform a commercially useful function, the DBE shall also be responsible with respect to materials and supplies used on the contract, for negotiating price, determining quality and quantity, ordering the material and installing (where applicable) and paying for the material itself. To determine whether a DBE is performing a commercially useful function, the Department will evaluate the amount of work subcontracted, industry practices, whether the amount the firm is to be paid under the contract is commensurate with the work it is performing and the DBE credit claimed for its performance of the work, and any other relevant factors.

(B) DBE Utilization in Trucking

The following factors will be used to determine if a DBE trucking firm is performing a commercially useful function:

- (1) The DBE shall be responsible for the management and supervision of the entire trucking operation for which it is responsible on a particular contract, and there shall not be a contrived arrangement for the purpose of meeting DBE goals.
- (2) The DBE shall itself own and operate at least one fully licensed, insured, and operational truck used on the contract.
- (3) The DBE receives credit for the total value of the transportation services it provides on the contract using trucks it owns, insures, and operates using drivers it employs.
- (4) The DBE may subcontract the work to another DBE firm, including an owner-operator who is certified as a DBE. The DBE who subcontracts work to another DBE receives credit for the total value of the transportation services the subcontracted DBE provides on the contract.
- (5) The DBE may also subcontract the work to a non-DBE firm, including from an owner-operator. The DBE who subcontracts the work to a non-DBE is entitled to credit for the total value of transportation services provided by the non-DBE subcontractor not to exceed the value of transportation services provided by DBE-owned trucks on the contract. Additional participation by non-DBE subcontractors receives credit only for the fee or commission it receives as a result of the subcontract arrangement. The value of services performed under subcontract agreements between the DBE and the Contractor will not count towards the DBE contract requirement.
- (6) A DBE may lease truck(s) from an established equipment leasing business open to the general public. The lease must indicate that the DBE has exclusive use of and control over the truck. This requirement does not preclude the leased truck from working for others during the term of the lease with the consent of the DBE, so long as the lease gives the DBE absolute priority for use of the leased truck. This type of lease may count toward the DBE's credit as long as the driver is under the DBE's payroll.
- (7) Subcontracted/leased trucks shall display clearly on the dashboard the name of the DBE that they are subcontracted/leased to and their own company name if it is not identified on the truck itself. Magnetic door signs are not permitted.

DBE Replacement

When a Contractor has relied on a commitment to a DBE subcontractor (or an approved substitute DBE subcontractor) to meet all or part of a contract goal requirement, the contractor shall not terminate the DBE subcontractor or any portion of its work for convenience. This includes, but is not limited to, instances in which the Contractor seeks to perform the work of the terminated subcontractor with another DBE subcontractor, a non-DBE subcontractor, or with the Contractor's own forces or those of an affiliate.

The Contractor must give notice in writing both by certified mail and email to the DBE subcontractor, with a copy to the Engineer of its intent to request to terminate a DBE subcontractor or any portion of its work, and the reason for the request. The Contractor must give the DBE subcontractor five (5) business days to respond to the Contractor's Notice of Intent to Request Termination and/or Substitution. If the DBE subcontractor objects to the intended termination/substitution, the DBE, within five (5) business days must advise the Contractor and the Department of the reasons why the action should not be approved. The five-day notice period shall begin on the next business day after written notice is provided to the DBE subcontractor.

A committed DBE subcontractor may only be terminated or any portion of its work after receiving the Department's written approval based upon a finding of good cause for the proposed termination and/or substitution. Good cause does not exist if the Contractor seeks to terminate a DBE or any portion of its work that it relied upon to obtain the contract so that the Contractor can self-perform the work for which the DBE was engaged, or so that the Contractor can substitute another DBE or non-DBE contractor after contract award. For purposes of this section, good cause shall include the following circumstances:

- (a) The listed DBE subcontractor fails or refuses to execute a written contract;
- (b) The listed DBE subcontractor fails or refuses to perform the work of its subcontract in a way consistent with normal industry standards. Provided, however, that good cause does not exist if the failure or refusal of the DBE subcontractor to perform its work on the subcontract results from the bad faith or discriminatory action of the prime contractor;
- (c) The listed DBE subcontractor fails or refuses to meet the prime contractor's reasonable, nondiscriminatory bond requirements;
- (d) The listed DBE subcontractor becomes bankrupt, insolvent, or exhibits credit unworthiness;
- (e) The listed DBE subcontractor is ineligible to work on public works projects because of suspension and debarment proceedings pursuant to 2 CFR parts 180, 215 and 1200 or applicable State law;
- (f) The listed DBE subcontractor is not a responsible contractor;
- (g) The listed DBE voluntarily withdraws from the project and provides written notice of withdrawal;
- (h) The listed DBE is ineligible to receive DBE credit for the type of work required;
- (i) A DBE owner dies or becomes disabled with the result that the listed DBE contractor is unable to complete its work on the contract; and
- (j) Other documented good cause that compels the termination of the DBE subcontractor.

The Contractor shall comply with the following for replacement of a committed DBE:

(A) Performance Related Replacement

When a committed DBE is terminated for good cause as stated above, an additional DBE that was submitted at the time of bid may be used to fulfill the DBE commitment. A good faith effort will only be required for removing a committed DBE if there were no additional DBEs submitted at the time of bid to cover the same amount of work as the DBE that was terminated.

If a replacement DBE is not found that can perform at least the same amount of work as the terminated DBE, the Contractor shall submit a good faith effort documenting the steps taken. Such documentation shall include, but not be limited to, the following:

- (1) Copies of written notification to DBEs that their interest is solicited in contracting the work defaulted by the previous DBE or in subcontracting other items of work in the contract.
- (2) Efforts to negotiate with DBEs for specific subbids including, at a minimum:
 - (a) The names, addresses, and telephone numbers of DBEs who were contacted.
 - (b) A description of the information provided to DBEs regarding the plans and specifications for portions of the work to be performed.
- (3) A list of reasons why DBE quotes were not accepted.
- (4) Efforts made to assist the DBEs contacted, if needed, in obtaining bonding or insurance required by the Contractor.

(B) Decertification Replacement

- (1) When a committed DBE is decertified by the Department after the SAF (*Subcontract Approval Form*) has been received by the Department, the Department will not require the Contractor to solicit replacement DBE participation equal to the remaining work to be performed by the decertified firm. The participation equal to the remaining work performed by the decertified firm will count toward the contract goal requirement but not the overall goal.
 - (i) If the DBE's ineligibility is caused solely by its having exceeded the size standard during the performance of the contract. The Department may continue to count participation equal to the remaining work performed by the decertified firm which will count toward the contract goal requirement and overall goal.
 - (ii) If the DBE's ineligibility is caused solely by its acquisition by or merger with a non-DBE during the performance of the contract. The Department may not continue to count the portion of the decertified firm's

performance on the contract remaining toward either the contract goal or the overall goal, even if the Contractor has executed a subcontract with the firm or the Department has executed a prime contract with the DBE that was later decertified.

- (2) When a committed DBE is decertified prior to the Department receiving the SAF (*Subcontract Approval Form*) for the named DBE firm, the Contractor shall take all necessary and reasonable steps to replace the DBE subcontractor with another DBE subcontractor to perform at least the same amount of work to meet the DBE goal requirement. If a DBE firm is not found to do the same amount of work, a good faith effort must be submitted to NCDOT (see A herein for required documentation).

All requests for replacement of a committed DBE firm shall be submitted to the Engineer for approval on Form RF-1 (*DBE Replacement Request*). If the Contractor fails to follow this procedure, the Contractor may be disqualified from further bidding for a period of up to 6 months.

Changes in the Work

When the Engineer makes changes that result in the reduction or elimination of work to be performed by a committed DBE, the Contractor will not be required to seek additional participation. When the Engineer makes changes that result in additional work to be performed by a DBE based upon the Contractor's commitment, the DBE shall participate in additional work to the same extent as the DBE participated in the original contract work.

When the Engineer makes changes that result in extra work, which has more than a minimal impact on the contract amount, the Contractor shall seek additional participation by DBEs unless otherwise approved by the Engineer.

When the Engineer makes changes that result in an alteration of plans or details of construction, and a portion or all of the work had been expected to be performed by a committed DBE, the Contractor shall seek participation by DBEs unless otherwise approved by the Engineer.

When the Contractor requests changes in the work that result in the reduction or elimination of work that the Contractor committed to be performed by a DBE, the Contractor shall seek additional participation by DBEs equal to the reduced DBE participation caused by the changes.

Reports and Documentation

A SAF (*Subcontract Approval Form*) shall be submitted for all work which is to be performed by a DBE subcontractor. The Department reserves the right to require copies of actual subcontract agreements involving DBE subcontractors.

When using transportation services to meet the contract commitment, the Contractor shall submit a proposed trucking plan in addition to the SAF. The plan shall be submitted prior to beginning construction on the project. The plan shall include the names of all trucking firms proposed for

use, their certification type(s), the number of trucks owned by the firm, as well as the individual truck identification numbers, and the line item(s) being performed.

Within 30 calendar days of entering into an agreement with a DBE for materials, supplies or services, not otherwise documented by the SAF as specified above, the Contractor shall furnish the Engineer a copy of the agreement. The documentation shall also indicate the percentage (60% or 100%) of expenditures claimed for DBE credit.

Reporting Disadvantaged Business Enterprise Participation

The Contractor shall provide the Engineer with an accounting of payments made to all DBE firms, including material suppliers and contractors at all levels (prime, subcontractor, or second tier subcontractor). This accounting shall be furnished to the Engineer for any given month by the end of the following month. Failure to submit this information accordingly may result in the following action:

- (A) Withholding of money due in the next partial pay estimate; or
- (B) Removal of an approved contractor from the prequalified bidders' list or the removal of other entities from the approved subcontractors list.

While each contractor (prime, subcontractor, 2nd tier subcontractor) is responsible for accurate accounting of payments to DBEs, it shall be the prime contractor's responsibility to report all monthly and final payment information in the correct reporting manner.

Failure on the part of the Contractor to submit the required information in the time frame specified may result in the disqualification of that contractor and any affiliate companies from further bidding until the required information is submitted.

Failure on the part of any subcontractor to submit the required information in the time frame specified may result in the disqualification of that contractor and any affiliate companies from being approved for work on future DOT projects until the required information is submitted.

Contractors reporting transportation services provided by non-DBE lessees shall evaluate the value of services provided during the month of the reporting period only.

At any time, the Engineer can request written verification of subcontractor payments.

The Contractor shall report the accounting of payments through the Department's DBE Payment Tracking System.

Failure to Meet Contract Requirements

Failure to meet contract requirements in accordance with Subarticle 102-15(J) of the *Standard Specifications* may be cause to disqualify the Contractor.

CERTIFICATION FOR FEDERAL-AID CONTRACTS:

(3-21-90)

SP1 G85

The prospective participant certifies, by signing and submitting this bid or proposal, to the best of his or her knowledge and belief, that:

- (A) No Federal appropriated funds have been paid or will be paid, by or on behalf of the undersigned, to any person for influencing or attempting to influence an officer or employee of any Federal agency, a Member of Congress, an officer or employee of Congress, or an employee of a Member of Congress in connection with the awarding of any Federal contract, the making of any Federal grant, the making of any Federal loan, the entering into of any cooperative agreement, and the extension, continuation, renewal, amendment, or modification of any Federal contract, grant, loan, or cooperative agreement.
- (B) If any funds other than Federal appropriated funds have been paid or will be paid to any person for influencing or attempting to influence an officer or employee of any Federal agency, a Member of Congress, an officer or employee of Congress, or an employee of a Member of Congress in connection with this Federal contract, grant, loan, or cooperative agreement, the undersigned shall complete and submit Standard Form-LLL, *Disclosure Form to Report Lobbying*, in accordance with its instructions.

This certification is a material representation of fact upon which reliance was placed when this transaction was made or entered into. Submission of this certification is a prerequisite for making or entering into this transaction imposed by *Section 1352, Title 31, U.S. Code*. Any person who fails to file the required certification shall be subject to a civil penalty of not less than \$10,000 and not more than \$100,000 for each such failure.

The prospective participant also agrees by submitting his or her bid or proposal that he or she shall require that the language of this certification be included in all lower tier subcontracts, which exceed \$100,000 and that all such subrecipients shall certify and disclose accordingly.

RESTRICTIONS ON ITS EQUIPMENT AND SERVICES:

(11-17-20)

SP01 G090

All telecommunications, video or other ITS equipment or services installed or utilized on this project must be in conformance with UNIFORM ADMINISTRATIVE REQUIREMENTS, COST PRINCIPLES, AND AUDIT REQUIREMENTS FOR FEDERAL AWARDS **2 CFR, § 200.216 Prohibition on certain telecommunications and video surveillance services or equipment.**

USE OF UNMANNED AIRCRAFT SYSTEM (UAS):

(8-20-19)

SP1 G092

The Contractor shall adhere to all Federal, State and Local regulations and guidelines for the use of Unmanned Aircraft Systems (UAS). This includes but is not limited to US 14 CFR Part 107 *Small UAS Rule*, NC GS 15A-300.2 *Regulation of launch and recovery sites*, NC GS 63-95 *Training required for the operation of unmanned aircraft systems*, NC GS 63-96 *Permit required for commercial operation of unmanned aircraft system*, and NCDOT UAS Policy. The required operator certifications include possessing a current Federal Aviation Administration (FAA) Remote Pilot Certificate, a NC UAS Operator Permit as well as operating a UAS registered with the FAA.

Prior to beginning operations, the Contractor shall complete the NCDOT UAS – Flight Operation Approval Form and submit it to the Engineer for approval. All UAS operations shall be approved by the Engineer prior to beginning the operations.

All contractors or subcontractors operating UAS shall have UAS specific general liability insurance to cover all operations under this contract.

The use of UAS is at the Contractor's discretion. No measurement or payment will be made for the use of UAS. In the event that the Department directs the Contractor to utilize UAS, payment will be in accordance with Article 104-7 Extra Work.

EQUIPMENT IDLING GUIDELINES:

(1-19-21)

107

SP1 G096

Exercise reduced fuel consumption and reduced equipment emissions during the construction of all work associated with this contract. Employees engaged in the construction of this project should turn off vehicles when stopped for more than thirty (30) minutes and off-highway equipment should idle no longer than fifteen (15) consecutive minutes.

These guidelines for turning off vehicles and equipment when idling do not apply to:

1. Idling when queuing.
2. Idling to verify the vehicle is in safe operating condition.
3. Idling for testing, servicing, repairing or diagnostic purposes.
4. Idling necessary to accomplish work for which the vehicle was designed (such as operating a crane, mixing concrete, etc.).
5. Idling required to bring the machine system to operating temperature.
6. Emergency vehicles, utility company, construction, and maintenance vehicles where the engines must run to perform needed work.
7. Idling to ensure safe operation of the vehicle.
8. Idling when the propulsion engine is providing auxiliary power for other than heating or air conditioning. (such as hydraulic systems for pavers)
9. When specific traffic, safety, or emergency situations arise.
10. If the ambient temperature is less than 32 degrees Fahrenheit. Limited idling to provide for the safety of vehicle occupants (e.g. to run the heater).

11. If the ambient temperature is greater than 90 degrees Fahrenheit. Limited idling to provide for the safety of vehicle occupants of off-highway equipment (e.g. to run the air conditioning) no more than 30 minutes.
12. Diesel powered vehicles may idle for up to 30 minutes to minimize restart problems.

Any vehicle, truck, or equipment in which the primary source of fuel is natural gas or electricity is exempt from the idling limitations set forth in this special provision.

U.S. DEPARTMENT OF TRANSPORTATION HOTLINE:

(11-22-94)

108-5

SP1 G100

To report bid rigging activities call: **1-800-424-9071**

The U.S. Department of Transportation (DOT) operates the above toll-free hotline Monday through Friday, 8:00 a.m. to 5:00 p.m. eastern time. Anyone with knowledge of possible bid rigging, bidder collusion, or other fraudulent activities should use the hotline to report such activities.

The hotline is part of the DOT's continuing effort to identify and investigate highway construction contract fraud and abuse is operated under the direction of the DOT Inspector General. All information will be treated confidentially and caller anonymity will be respected.

OFCCP MEGA CONSTRUCTION PROJECT PROGRAM:

(9-17-24)

107

SP1 G107

Office of Federal Contract Compliance Programs (OFCCP) is part of the U.S. Department of Labor. OFCCP has selected this construction project for participation in its Mega Construction Project Program which shall engage with the project sponsor, the North Carolina Department of Transportation (NCDOT), as early as the design phase to help promote compliance with non-discrimination and affirmative action obligations. OFCCP offers contractors and subcontractors extensive compliance assistance, conducts compliance evaluations, and helps to build partnerships between the project sponsor, prime contractor, subcontractors, and relevant stakeholders. Contractors and all tier-level subcontractors shall be required to participate in OFCCP's Mega Construction Project Program, which includes an Equal Employment Opportunity (EEO) Committee and shall include this provision language in its subcontract agreements. In addition, contractors and all subcontractors shall comply with the nondiscrimination contract provisions as outlined in Form FHWA-1273 and incorporated into all federal-aid construction contracts.

SUBSURFACE INFORMATION:

(7-1-95)

450

SP1 G112 C

Subsurface information is available on the roadway and structure portions of this project.

PORTABLE CONCRETE BARRIER - (Partial Payments for Materials):

(7-1-95)(Rev. 1-16-24)

1170-4

SPI G121

When so authorized by the Engineer, partial materials payments will be made up to 95 percent of the delivered cost of portable concrete barrier, provided that these materials have been delivered on the project and stored in an acceptable manner, and further provided the documents listed in Subarticle 109-5(C) of the *Standard Specifications* have been furnished to the Engineer.

The provisions of Subarticle 109-5(B) of the *Standard Specifications* will apply to the portable concrete barrier.

MAINTENANCE OF THE PROJECT:

(11-20-07)(Rev. 1-16-24)

104-10

SPI G125

Revise the *Standard Specifications* as follows:

Page 1-35, Article 104-10 Maintenance of the Project, line 3, add the following after the first sentence of the first paragraph:

All guardrail/guiderail within the project limits shall be included in this maintenance.

Page 1-35, Article 104-10 MAINTENANCE OF THE PROJECT, line 8, add the following as the last sentence of the first paragraph:

The Contractor shall perform weekly inspections of guardrail and guiderail and shall report damages to the Engineer on the same day of the weekly inspection. *Where damaged guardrail or guiderail is repaired or replaced as a result of maintaining the project in accordance with this article, such repair or replacement shall be performed within 7 consecutive calendar days of such inspection report.*

Page 1-35, Article 104-10 MAINTENANCE OF THE PROJECT, lines 20-22, replace the last sentence of the last paragraph with the following:

The Contractor will not be directly compensated for any maintenance operations necessary, except for maintenance of guardrail/guiderail, as this work will be considered incidental to the work covered by the various contract items. The provisions of Article 104-7, Extra Work, and Article 104-8, Compensation and Record Keeping will apply to authorized maintenance of guardrail/guiderail. Performance of weekly inspections of guardrail/guiderail, and the damage reports required as described above, will be considered to be an incidental part of the work being paid for by the various contract items.

COOPERATION BETWEEN CONTRACTORS:

(7-1-95)

105-7

SPI G133

The Contractor's attention is directed to Article 105-7 of the *2024 Standard Specifications*.

The Atlantic Avenue Widening Project (LAP – City of Raleigh – From Highwoods Boulevard to New Hope Church Road) is located adjacent to this project. The Atlantic Avenue Widening Project is currently under construction and not anticipated to be completed prior to the letting of this project.

The Contractor on this project shall cooperate with the Contractor working within or adjacent to the limits of this project to the extent that the work can be carried out to the best advantage of all concerned.

TWELVE MONTH GUARANTEE:

(7-15-03)

108

SPI G145

- (A) The Contractor shall guarantee materials and workmanship against latent and patent defects arising from faulty materials, faulty workmanship or negligence for a period of twelve months following the date of final acceptance of the work for maintenance and shall replace such defective materials and workmanship without cost to the Department. The Contractor will not be responsible for damage due to faulty design, normal wear and tear, for negligence on the part of the Department, and/or for use in excess of the design.
- (B) Where items of equipment or material carry a manufacturer's guarantee for any period in excess of twelve months, then the manufacturer's guarantee shall apply for that particular piece of equipment or material. The Department's first remedy shall be through the manufacturer although the Contractor is responsible for invoking the warranted repair work with the manufacturer. The Contractor's responsibility shall be limited to the term of the manufacturer's guarantee. NCDOT would be afforded the same warranty as provided by the Manufacturer.

This guarantee provision shall be invoked only for major components of work in which the Contractor would be wholly responsible for under the terms of the contract. Examples would include pavement structures, bridge components, and sign structures. This provision will not be used as a mechanism to force the Contractor to return to the project to make repairs or perform additional work that the Department would normally compensate the Contractor for. In addition, routine maintenance activities (i.e. mowing grass, debris removal, ruts in earth shoulders,) are not parts of this guarantee.

Appropriate provisions of the payment and/or performance bonds shall cover this guarantee for the project.

To ensure uniform application statewide the Division Engineer will forward details regarding the circumstances surrounding any proposed guarantee repairs to the Chief Engineer for review and approval prior to the work being performed.

EROSION AND SEDIMENT CONTROL/STORMWATER CERTIFICATION:

(1-16-07) (Rev. 10-15-24)

105-16, 225-2, 16

SPI G180

General

Schedule and conduct construction activities in a manner that will minimize soil erosion and the resulting sedimentation and turbidity of surface waters. Comply with the requirements herein regardless of whether or not a National Pollution discharge Elimination System (NPDES) permit for the work is required.

Establish a chain of responsibility for operations and subcontractors' operations to ensure that the *Erosion and Sediment Control/Stormwater Pollution Prevention Plan* is implemented and maintained over the life of the contract.

- (A) *Certified Supervisor* - Provide a certified Erosion and Sediment Control/Stormwater Supervisor to manage the Contractor and subcontractor operations, insure compliance with Federal, State and Local ordinances and regulations, and manage the Quality Control Program.
- (B) *Certified Foreman* - Provide a certified, trained foreman for each construction operation that increases the potential for soil erosion or the possible sedimentation and turbidity of surface waters.
- (C) *Certified Installer* - Provide a certified installer to install or direct the installation for erosion or sediment/stormwater control practices.
- (D) *Certified Designer* - Provide a certified designer for the design of the erosion and sediment control/stormwater component of reclamation plans and, if applicable, for the design of the project erosion and sediment control/stormwater plan.

Roles and Responsibilities

- (A) *Certified Erosion and Sediment Control/Stormwater Supervisor* - The Certified Supervisor shall be Level II and responsible for ensuring the erosion and sediment control/stormwater plan is adequately implemented and maintained on the project and for conducting the quality control program. The Certified Supervisor shall be on the project within 24 hours notice from initial exposure of an erodible surface to the project's final acceptance. Perform the following duties:
 - (1) **Manage Operations** - Coordinate and schedule the work of subcontractors so that erosion and sediment control/stormwater measures are fully executed for each operation and in a timely manner over the duration of the contract.
 - (a) Oversee the work of subcontractors so that appropriate erosion and sediment control/stormwater preventive measures are conformed to at each stage of the work.
 - (b) Prepare the required National Pollutant Discharge Elimination System (NPDES) Inspection Record and submit to the Engineer.
 - (c) Attend all weekly or monthly construction meetings to discuss the findings of the NPDES inspection and other related issues.
 - (d) Implement the erosion and sediment control/stormwater site plans requested.
 - (e) Provide any needed erosion and sediment control/stormwater practices for the Contractor's temporary work not shown on the plans, such as, but not limited to work platforms, temporary construction, pumping operations, plant and storage yards, and cofferdams.

- (f) Acquire applicable permits and comply with requirements for borrow pits, dewatering, and any temporary work conducted by the Contractor in jurisdictional areas.
 - (g) Conduct all erosion and sediment control/stormwater work in a timely and workmanlike manner.
 - (h) Fully perform and install erosion and sediment control/stormwater work prior to any suspension of the work.
 - (i) Coordinate with Department, Federal, State and Local Regulatory agencies on resolution of erosion and sediment control/stormwater issues due to the Contractor's operations.
 - (j) Ensure that proper cleanup occurs from vehicle tracking on paved surfaces or any location where sediment leaves the Right-of-Way.
 - (k) Have available a set of erosion and sediment control/stormwater plans that are initialed and include the installation date of Best Management Practices. These practices shall include temporary and permanent groundcover and be properly updated to reflect necessary plan and field changes for use and review by Department personnel as well as regulatory agencies.
- (2) Requirements set forth under the NPDES Permit - The Department's NPDES Stormwater permit (NCS000250) outlines certain objectives and management measures pertaining to construction activities. The permit references *NCG010000, General Permit to Discharge Stormwater* under the NPDES, and states that the Department shall incorporate the applicable requirements into its delegated Erosion and Sediment Control Program for construction activities disturbing one or more acres of land. The Department further incorporates these requirements on all contracted bridge and culvert work at jurisdictional waters, regardless of size. Some of the requirements are, but are not limited to:
- (a) Control project site waste to prevent contamination of surface or ground waters of the state, i.e. from equipment operation/maintenance, construction materials, concrete washout, chemicals, litter, fuels, lubricants, coolants, hydraulic fluids, any other petroleum products, and sanitary waste.
 - (b) Inspect erosion and sediment control/stormwater devices and stormwater discharge outfalls at least once every 7 calendar days and within 24 hours after a rainfall event equal to or greater than 1.0 inch that occurs within a 24 hour period. Additional monitoring may be required at the discretion of Division of Water Resources personnel if the receiving stream is 303(d) listed for turbidity and the project has had documented problems managing turbidity.
 - (c) Maintain an onsite rain gauge or use the Department's Multi-Sensor Precipitation Estimate website to maintain a daily record of rainfall amounts and dates.
 - (d) Maintain erosion and sediment control/stormwater inspection records for review by Department and Regulatory personnel upon request.
 - (e) Implement approved reclamation plans on all borrow pits, waste sites and staging areas.

- (f) Maintain a log of turbidity test results as outlined in the Department's Procedure for Monitoring Borrow Pit Discharge.
 - (g) Provide secondary containment for bulk storage of liquid materials.
 - (h) Provide training for employees concerning general erosion and sediment control/stormwater awareness, the Department's NPDES Stormwater Permit NCS000250 requirements, and the applicable requirements of the *General Permit, NCG010000*.
 - (i) Report violations of the NPDES permit to the Engineer immediately who will notify the Division of Water Quality Regional Office within 24 hours of becoming aware of the violation.
- (3) Quality Control Program - Maintain a quality control program to control erosion, prevent sedimentation and follow provisions/conditions of permits. The quality control program shall:
- (a) Follow permit requirements related to the Contractor and subcontractors' construction activities.
 - (b) Ensure that all operators and subcontractors on site have the proper erosion and sediment control/stormwater certification.
 - (c) Notify the Engineer when the required certified erosion and sediment control/stormwater personnel are not available on the job site when needed.
 - (d) Conduct the inspections required by the NPDES permit.
 - (e) Take corrective actions in the proper timeframe as required by the NPDES permit for problem areas identified during the NPDES inspections.
 - (f) Incorporate erosion control into the work in a timely manner and stabilize disturbed areas with mulch/seed or vegetative cover on a section-by-section basis.
 - (g) Use flocculants approved by state regulatory authorities where appropriate and where required for turbidity and sedimentation reduction.
 - (h) Ensure proper installation and maintenance of temporary erosion and sediment control devices.
 - (i) Remove temporary erosion or sediment control devices when they are no longer necessary as agreed upon by the Engineer.
 - (j) The Contractor's quality control and inspection procedures shall be subject to review by the Engineer. Maintain NPDES inspection records and make records available at all times for verification by the Engineer.
- (B) *Certified Foreman* - At least one Certified Foreman shall be onsite for each type of work listed herein during the respective construction activities to control erosion, prevent sedimentation and follow permit provisions:
- (1) Foreman in charge of grading activities
 - (2) Foreman in charge of bridge or culvert construction over jurisdictional areas
 - (3) Foreman in charge of utility activities

The Contractor may request to use the same person as the Level II Supervisor and Level II Foreman. This person shall be onsite whenever construction activities as

described above are taking place. This request shall be approved by the Engineer prior to work beginning.

The Contractor may request to name a single Level II Foreman to oversee multiple construction activities on small bridge or culvert replacement projects. This request shall be approved by the Engineer prior to work beginning.

(C) *Certified Installers* - Provide at least one onsite, Level I Certified Installer for each of the following erosion and sediment control/stormwater crew:

- (1) Seeding and Mulching
- (2) Temporary Seeding
- (3) Temporary Mulching
- (4) Sodding
- (5) Silt fence or other perimeter erosion/sediment control device installations
- (6) Erosion control blanket installation
- (7) Hydraulic tackifier installation
- (8) Turbidity curtain installation
- (9) Rock ditch check/sediment dam installation
- (10) Ditch liner/matting installation
- (11) Inlet protection
- (12) Riprap placement
- (13) Stormwater BMP installations (such as but not limited to level spreaders, retention/detention devices)
- (14) Pipe installations within jurisdictional areas

If a Level I *Certified Installer* is not onsite, the Contractor may substitute a Level II Foreman for a Level I Installer, provided the Level II Foreman is not tasked to another crew requiring Level II Foreman oversight.

(D) *Certified Designer* - Include the certification number of the Level III Certified Designer on the erosion and sediment control/stormwater component of all reclamation plans and if applicable, the certification number of the Level III Certified Designer on the design of the project erosion and sediment control/stormwater plan.

Preconstruction Meeting

Furnish the names of the *Certified Erosion and Sediment Control/Stormwater Supervisor*, *Certified Foremen*, *Certified Installers* and *Certified Designer* and notify the Engineer of changes in certified personnel over the life of the contract within 2 days of change.

Ethical Responsibility

Any company performing work for the North Carolina Department of Transportation has the ethical responsibility to fully disclose any reprimand or dismissal of an employee resulting from improper testing or falsification of records.

Revocation or Suspension of Certification

Upon recommendation of the Chief Engineer to the certification entity, certification for *Supervisor, Certified Foremen, Certified Installers* and *Certified Designer* may be revoked or suspended with the issuance of an *Immediate Corrective Action (ICA), Notice of Violation (NOV)*, or *Cease and Desist Order* for erosion and sediment control/stormwater related issues.

The Chief Engineer may recommend suspension or permanent revocation of certification due to the following:

- (A) Failure to adequately perform the duties as defined within this certification provision.
- (B) Issuance of an ICA, NOV, or Cease and Desist Order.
- (C) Failure to fully perform environmental commitments as detailed within the permit conditions and specifications.
- (D) Demonstration of erroneous documentation or reporting techniques.
- (E) Cheating or copying another candidate's work on an examination.
- (F) Intentional falsification of records.
- (G) Directing a subordinate under direct or indirect supervision to perform any of the above actions.
- (H) Dismissal from a company for any of the above reasons.
- (I) Suspension or revocation of one's certification by another entity.

Suspension or revocation of a certification will be sent by certified mail to the certificant and the Corporate Head of the company that employs the certificant.

A certificant has the right to appeal any adverse action which results in suspension or permanent revocation of certification by responding, in writing, to the Chief Engineer within 10 calendar days after receiving notice of the proposed adverse action.

Chief Engineer
1536 Mail Service Center
Raleigh, NC 27699-1536

Failure to appeal within 10 calendar days will result in the proposed adverse action becoming effective on the date specified on the certified notice. Failure to appeal within the time specified will result in a waiver of all future appeal rights regarding the adverse action taken. The certificant will not be allowed to perform duties associated with the certification during the appeal process.

The Chief Engineer will hear the appeal and make a decision within 7 days of hearing the appeal. Decision of the Chief Engineer will be final and will be made in writing to the certificant.

If a certification is temporarily suspended, the certificant shall pass any applicable written examination and any proficiency examination, at the conclusion of the specified suspension period, prior to having the certification reinstated.

Measurement and Payment

All work described within this provision and the role of Certified Erosion and Sediment Control/Stormwater Supervisor, Certified Foremen, Certified Installers and Certified Designer will be incidental to the project for which no direct compensation will be made.

PROCEDURE FOR MONITORING BORROW PIT DISCHARGE:

(2-20-07) (Rev. 1-16-24)

105-16, 230, 801

SP1 G181

Water discharge from borrow pit sites shall not cause surface waters to exceed 50 NTUs (nephelometric turbidity unit) in streams not designated as trout waters and 10 NTUs in streams, lakes or reservoirs designated as trout waters. For lakes and reservoirs not designated as trout waters, the turbidity shall not exceed 25 NTUs. If the turbidity exceeds these levels due to natural background conditions, the existing turbidity level shall not be increased.

If during any operating day, the downstream water quality exceeds the standard, the Contractor shall do all of the following:

- (A) Either cease discharge or modify the discharge volume or turbidity levels to bring the downstream turbidity levels into compliance, or
- (B) Evaluate the upstream conditions to determine if the exceedance of the standard is due to natural background conditions. If the background turbidity measurements exceed the standard, operation of the pit and discharge can continue as long as the stream turbidity levels are not increased due to the discharge.
- (C) Measure and record the turbidity test results (time, date and sampler) at all defined sampling locations 30 minutes after startup and at a minimum, one additional sampling of all sampling locations during that 24-hour period in which the borrow pit is discharging.
- (D) Notify DWQ within 24 hours of any stream turbidity standard exceedances that are not brought into compliance.

During the Environmental Assessment required by Article 230-4 of the *Standard Specifications*, the Contractor shall define the point at which the discharge enters into the State's surface waters and the appropriate sampling locations. Sampling locations shall include points upstream and downstream from the point at which the discharge enters these waters. Upstream sampling location shall be located so that it is not influenced by backwater conditions and represents natural background conditions. Downstream sampling location shall be located at the point where complete mixing of the discharge and receiving water has occurred.

The discharge shall be closely monitored when water from the dewatering activities is introduced into jurisdictional wetlands. Any time visible sedimentation (deposition of sediment) on the wetland surface is observed, the dewatering activity will be suspended until turbidity levels in the stilling basin can be reduced to a level where sediment deposition does not occur. Staining of wetland surfaces from suspended clay particles, occurring after evaporation or infiltration, does not constitute sedimentation. No activities shall occur in wetlands that adversely affect the functioning of a wetland. Visible sedimentation will be considered an indication of possible adverse impacts on wetland use.

The Engineer will perform independent turbidity tests on a random basis. These results will be maintained in a log within the project records. Records will include, at a minimum, turbidity test results, time, date and name of sampler. Should the Department's test results exceed those of the Contractor's test results, an immediate test shall be performed jointly with the results superseding the previous test results of both the Department and the Contractor.

The Contractor shall use the *NCDOT Turbidity Reduction Options for Borrow Pits Matrix*, available at <https://connect.ncdot.gov/resources/roadside/FieldOperationsDocuments/TurbidityReductionOptionSheet.pdf> to plan, design, construct, and maintain BMPs to address water quality standards. Tier I Methods include stilling basins which are standard compensatory BMPs. Other Tier I methods are noncompensatory and shall be used when needed to meet the stream turbidity standards. Tier II Methods are also noncompensatory and are options that may be needed for protection of rare or unique resources or where special environmental conditions exist at the site which have led to additional requirements being placed in the DWQ's 401 Certifications and approval letters, Isolated Wetland Permits, Riparian Buffer Authorization or a DOT Reclamation Plan's Environmental Assessment for the specific site. Should the Contractor exhaust all Tier I Methods on a site exclusive of rare or unique resources or special environmental conditions, Tier II Methods may be required by regulators on a case by case basis per supplemental agreement.

The Contractor may use cation exchange capacity (CEC) values from proposed site borings to plan and develop the bid for the project. CEC values exceeding 15 milliequivalents per 100 grams of soil may indicate a high potential for turbidity and should be avoided when dewatering into surface water is proposed.

No additional compensation for monitoring borrow pit discharge will be paid.

NOTES TO CONTRACTOR:

The Contractor shall be aware that the **FRA BUY AMERICA CERTIFICATE OF COMPLIANCE FORM** shall be filled out and submitted by the **awarded** Contractor. This document is available as a supplemental document on the letting page.

The Contractor shall be aware that the **FEDERAL RAILROAD ADMINISTRATION EXHIBITS A-C** shall be filled out and submitted by the **awarded** Contractor. This document is available as a supplemental document on the letting page.

PROJECT SPECIAL PROVISIONS**ROADWAY****CLEARING AND GRUBBING - METHOD III:**

(4-6-06)(Rev. 3-19-24)

200

SP2 R02B

Perform clearing on this project to the limits established by Method - III shown on Standard Drawing No. 200.03 of the *Roadway Standard Drawings*. Conventional clearing methods may be used except where permit drawings or conditions have been included in the proposal which require certain areas to be cleared by hand methods.

BURNING RESTRICTIONS:

(7-1-95)

200, 210, 215

SP2 R05

Open burning is not permitted on any portion of the right-of-way limits established for this project. Do not burn the clearing, grubbing or demolition debris designated for disposal and generated from the project at locations within the project limits, off the project limits or at any waste or borrow sites in this county. Dispose of the clearing, grubbing and demolition debris by means other than burning, according to state or local rules and regulations.

BUILDING REMOVAL:

(1-1-02)(Rev. 1-16-24)

215

SP2 R15 A

Remove the buildings, underground storage tanks and appurtenances listed below in accordance with Section 215 of the *Standard Specifications*:

Parcel 9, 1 SBLK BUS, Sign, Canopy, Det. Storage, Light Poles- LT of SS 29+00 to SS 24+90, SL -L-

TEMPORARY DETOURS:

(7-1-95) (Rev. 11-19-13)

1101

SP2 R30B

Construct temporary detours required on this project in accordance with the typical sections in the plans or as directed.

After the detours have served their purpose, remove the portions deemed unsuitable for use as a permanent part of the project as directed by the Engineer. Salvage and stockpile the aggregate base course removed from the detours at locations within the right of way, as directed by the Engineer, for removal by State Forces. Place pavement and earth material removed from the detour in embankments or dispose of in waste areas furnished by the Contractor.

Aggregate base course and earth material that is removed will be measured and will be paid at the contract unit price per cubic yard for *Unclassified Excavation*. Pavement that is removed will be measured and will be paid at the contract unit price per square yard for *Removal of Existing _____ Pavement*. Pipe culverts removed from the detours remain the property of the Contractor. Pipe culverts that are removed will be measured and will be paid at the contract unit price per linear foot for *Pipe Removal*. Payment for the construction of the detours will be made at the contract unit prices for the various items involved.

Such prices and payments will be full compensation for constructing the detours and for the work of removing, salvaging, and stockpiling aggregate base course; removing pipe culverts; and for placing earth material and pavement in embankments or disposing of earth material and pavement in waste areas.

SHOULDER AND FILL SLOPE MATERIAL:

(5-21-02)(Rev. 1-16-24)

235, 560

SP2 R45 B

Description

Perform the required shoulder and slope construction for this project in accordance with the applicable requirements of Section 560 and Section 235 of the *Standard Specifications*.

Measurement and Payment

When the Contractor elects to obtain material from an area located beneath a proposed fill sections which does not require excavation for any reason other than to generate acceptable shoulder and fill slope material, the work of performing the excavation will be considered incidental to the item of *Borrow Excavation* or *Shoulder Borrow*. If there is no pay item for *Borrow* or *Shoulder Borrow* in the contract, this work will be considered incidental to *Unclassified Excavation*. Stockpile the excavated material in a manner to facilitate measurement by the Engineer. Fill the void created by the excavation of the shoulder and fill slope material with suitable material. Payment for material used from the stockpile will be made at the contract unit price for *Borrow Excavation* or *Shoulder Borrow*. If there is no pay item for *Borrow Excavation* or *Shoulder Borrow*, then the material will be paid for at the contract unit price for *Unclassified Excavation*. The material used to fill the void created by the excavation of the shoulder and fill slope material will be made at the contract unit price for *Unclassified Excavation*, *Borrow Excavation*, or *Shoulder Borrow*, depending on the source of the material.

Material generated from undercut excavation, unclassified excavation or clearing and grubbing operations that is placed directly on shoulders or slope areas, will not be measured separately for payment, as payment for the work requiring the excavation will be considered adequate compensation for depositing and grading the material on the shoulders or slopes.

When undercut excavation is performed at the direction of the Engineer and the material excavated is found to be suitable for use as shoulder and fill slope material, and there is no area on the project currently prepared to receive the material generated by the undercut operation, the Contractor may construct a stockpile for use as borrow at a later date. Payment for the material used from the stockpile will be made at the contract unit price for *Borrow Excavation* or *Shoulder Borrow*.

When shoulder material is obtained from borrow sources or from stockpiled material, payment for the work of shoulder construction will be made at the contract unit price per cubic yard for *Borrow Excavation* or *Shoulder Borrow* in accordance with the applicable provisions of Section 230 or Section 560 of the *Standard Specifications*.

MANUFACTURED QUARRY FINES IN EMBANKMENTS:

(01-17-17)(Rev. 4-16-24)

235

SP02 R72

Description

This specification addresses the use of manufactured quarry fines that are not classified as select materials. The specification allows the Contractor an option, with the approval of the Engineer, to use manufactured quarry fines (MQFs) in embankments as a substitute for conventional borrow material. Furnish and place geotextile for subgrade stabilization in accordance with the contract. Geotextile for subgrade stabilization is required to prevent pavement cracking and provide separation between the subgrade and pavement section at embankment locations where manufactured quarry fines are utilized and as directed by the Engineer.

Materials

Manufactured Quarry Fines.

Site specific approval of MQFs material will be required prior to beginning construction as detailed in the preconstruction requirements of this provision.

The following MQFs are unacceptable:

- (A) Frozen material,
- (B) Material with a maximum dry unit weight of less than 90 pounds per cubic foot when tested in accordance with AASHTO T 99 Method A or C.
- (C) Material with greater than 80% by weight Passing the #200 sieve

Collect and transport MQFs in a manner that will prevent nuisances and hazards to public health and safety. Moisture condition the MQFs as needed and transport in covered trucks to prevent dusting. If MQFs are blended with natural earth material, follow Borrow Criteria in Section 1018 of the *Standard Specifications*.

Preconstruction Requirements

When MQFs are to be used as a substitute for earth borrow material, request written approval from the Engineer at least ninety (90) days in advance of the intent to use MQFs and include the following details:

- (A) Description, purpose and location of project.
- (B) Estimated start and completion dates of project.
- (C) Estimated volume of MQFs to be used on project with specific locations and construction details of the placement.
- (D) The names, address, and contact information for the generator of the MQFs.
- (E) Physical location of the site at which the MQFs were generated.

The Engineer will forward this information to the State Materials Engineer for review and material approval.

Construction Methods

Place MQFs in the core of the embankment section with at least 4 feet of earth cover to the outside limits of the embankments or subgrade.

Construct embankments by placing MQFs in level uniform lifts with no more than a lift of 10 inches and compacted to at least a density of 95 percent as determined by test methods in AASHTO T 99, Determination of Maximum Dry Density and Optimum Moisture Content, Method A or C depending upon particle size of the product. Provide a moisture content at the time of compaction of within 4 percent of optimum but not greater than one percent above optimum as determined by AASHTO T 99, Method A or C.

In embankments where MQFs are incorporated, geotextile for subgrade stabilization shall be used. Refer to Article 505-2 of the *Standard Specifications* for geotextile type and Article 505-3 of the *Standard Specifications* for the geotextile construction methods.

Measurement and Payment

Borrow Excavation will be measured by truck volume and paid in cubic yards in accordance with Article 230-5 of the *Standard Specifications*. As an alternate weigh tickets can be provided and payment made by converting weight to cubic yards based on the verifiable unit weight. Where the pay item for *Borrow Excavation* is not included in the original contract then no separate payment will be made for this item and payment will be included in the lump sum price bid for *Grading*.

Geotextile for Subgrade Stabilization will be measured and paid in accordance with Article 505-4 of the *Standard Specifications*. When the pay item for *Geotextile for Subgrade Stabilization* is not included in the original contract then no payment will be made for this item and will be considered incidental to the use of MQFs in embankment.

ABC(M) CONSTRUCTION PER TON:

Description

The Contractor shall place ABC(M) as shown on the typical sections and/or as directed by the Engineer. The area shall be backfilled and compacted to the satisfaction of the Engineer.

Materials

The ABC(M) shall meet the requirements of Section 1005 in the NCDOT Standard Specifications for Roads and Structures.

Construction Methods

Perform the ABC(M) construction in the following order: scarify the existing to provide the proper bond if directed by the Engineer; add a 3 inches layer of ABC(M); and compact to the satisfaction of the Engineer.

Measurement and Payment

ABC(M) Construction will be measured and paid at the contract unit price per ton for the actual number of tons of aggregate which have been incorporated into the completed and accepted work. The aggregate will be measured by being weighed in trucks on certified platform scales or other certified weighing devices. Such price will be full compensation for furnishing, hauling, placing, compacting ABC(M) and for all labor, tools, equipment, and incidentals necessary to complete the work.

Payment will be made under:

Pay Item	Pay Unit
ABC(M) Construction	Ton

HAULING OF EXISTING PAVEMENT:**Description**

The Contractor shall coordinate with the Engineer on hauling away any asphalt pavement left by the Railroad's contractor or by others. The contractor will be responsible for satisfactorily disposing of the asphalt pavement components. The material may be used on the project at the discretion of the Engineer.

Hauling of Existing Pavement will be measured and paid in cubic yards of pavement actually hauled away and removed from its stockpiled location on the project.

Payment will be made under:

Pay Item	Pay Unit
Hauling of Existing Pavement	Cubic Yard

FLOWABLE FILL:

(9-17-02) (Rev. 1-16-24)

300, 340, 1000, 1530, 1540, 1550

SP3 R30

Description

This work consists of all work necessary to place flowable fill in accordance with these provisions, the plans, and as directed.

Materials

Refer to Division 10 of the *Standard Specifications*.

Item	Section
Flowable Fill	1000-7

Construction Methods

Discharge flowable fill material directly from the truck into the space to be filled, or by other approved methods. The mix may be placed full depth or in lifts as site conditions dictate. The Contractor shall provide a method to plug the ends of the existing pipe in order to contain the flowable fill.

Measurement and Payment

At locations where flowable fill is called for on the plans and a pay item for flowable fill is included in the contract, *Flowable Fill* will be measured in cubic yards and paid as the actual number of cubic yards that have been satisfactorily placed and accepted. Such price and payment will be full compensation for all work covered by this provision including, but not limited to, the mix design, furnishing, hauling, placing and containing the flowable fill.

Payment will be made under:

Pay Item Flowable Fill	Pay Unit Cubic Yard
----------------------------------	-------------------------------

CORRUGATED ALUMINUM ALLOY CULVERT PIPE:

(9-21-21)(Rev. 1-16-24)

305, 310

SP3 R34

Revise the *Standard Specifications* as follows:

Page 3-5, Article 305-2, MATERIALS, add the following after line 16:

Item	Section
Waterborne Paint	1080-9
Hot Bitumen	1081-3

Page 3-5, Article 305-3, CONSTRUCTION METHODS, add the following after line 26:

Coating must be applied to the aluminum when in contact with concrete. Immediately prior to coating, aluminum surfaces to be coated shall be cleaned by a method that will remove all dirt, oil, grease, chips, and other foreign substances. Aluminum to be coated shall be given one coat of suitable quality coating such as:

- Approved waterborne paint (Section 1080-9)
- Approved Hot Bitumen (Section 1081-3)

Other coating materials may be submitted to the Engineer for approval.

Page 3-7, Article 310-6, MEASUREMENT AND PAYMENT, lines 10-11, delete the fourth sentence and replace with the following:

Select bedding and backfill material and coating will be included in the cost of the installed pipe.

BRIDGE APPROACH FILLS:

(10-19-10)(Rev. 1-16-24)

422

SP4 R02

Description

Bridge approach fills consist of backfilling behind bridge end bents with select material or aggregate to support all or part of bridge approach slabs. Install outlets and grade bridge approach fills to drain water through and away from approach fills. Install geotextiles to allow for possible future slab jacking and separate approach fills from embankment fills, natural ground and pavement sections as required. For bridge approach fills behind end bents with mechanically stabilized earth (MSE) abutment walls, reinforce bridge approach fills with MSE wall reinforcement connected to end bent caps as required. Construct bridge approach fills in accordance with the contract, accepted submittals and bridge approach fill *Roadway Standard Drawings*.

Define bridge approach fill types as follows:

Type 1 Approach Fill – Approach fill for bridge abutment in accordance with *Roadway Standard Drawing No. 423.01*;

Type 1A Approach Fill – Alternate approach fill for integral bridge abutment in accordance with *Roadway Standard Drawing No. 423.02*;

Type 2 Approach Fill – Approach fill for bridge abutment with MSE wall in accordance with *Roadway Standard Drawing No. 423.03* and

Type 2A Approach Fill – Alternate approach fill for integral bridge abutment with MSE wall in accordance with *Roadway Standard Drawing No. 423.04*.

At the Contractors option, use Type 1A or 2A approach fills instead of Type 1 or 2 approach fills, respectively, for integral bridge abutments. Type 1A and 2A approach fills consists of constructing an approach fill with a temporary geotextile wall before placing all or a portion of the concrete for the backwall and wing walls of the integral end bent cap. The temporary geotextile wall is designed for a construction surcharge, remains in place and is aligned so the wall face functions as a form for the integral end bent cap backwall and wing walls.

Materials

Refer to Division 10 of the *Standard Specifications*.

Item	Section
Geotextiles	1056
Portland Cement Concrete	1000
Select Materials	1016
Subsurface Drainage Materials	1044
Welded Wire Reinforcement	1070-3

Provide Type 1 geotextile for separation geotextiles, Type 4a geotextile for under bridge approach slabs and Class B concrete for outlet pads. Use Class V or Class VI select material for

Type 1 and 1A approach fills and the same aggregate type approved for the reinforced zone in the accepted MSE wall submittal for Type 2 and 2A approach fills. For MSE wall aggregate, reinforcement and connector materials, see the *Mechanically Stabilized Earth Retaining Walls* provision. Provide outlet pipes and fittings for subsurface drainage materials. Provide 1/4" hardware cloth with 1/4 inch openings constructed from 24 gauge wire.

For temporary geotextile walls, use welded wire reinforcement for welded wire facing and Type 5a geotextile for reinforcement geotextiles. Use Type 5a geotextile with lengths as shown in *Roadway Standard Drawing* No. 423.02 or 423.04.

Construction Methods

Excavate as necessary for approach fills and, if applicable, temporary geotextile walls in accordance with the contract. Ensure limits of approach fills are graded to drain as shown in the bridge approach fill *Roadway Standard Drawings*. For Type 1 and 1A approach fills in embankment fills, place and compact a temporary 1.5:1 (H:V) fill slope in accordance with *Roadway Standard Drawing* No. 423.01 or 423.02 and in accordance with Subarticle 235-3(B) and 235-3(C) of the *Standard Specifications*. Density testing is required within the temporary fill slope and additional more frequent density testing is also required for bridge approach embankments. Wait 3 days before cutting the slope back to complete the approach fill excavation. Use excavated material elsewhere on the project to form embankments, subgrades, or shoulders. If a slope for an approach fill is excavated to flatter than what is required for access or any other reason, that same slope is required for the entire approach fill excavation. Do not backfill overexcavations that extend outside the approach fill limits shown on the *Roadway Standard Drawings* with embankment soils. Instead, expand approach fill limits to include overexcavations.

Notify the Engineer when embankment fill placement and approach fill excavation is complete. Do not place separation geotextiles or aggregate until approach fill dimensions and embankment materials below and outside approach fills are approved.

For Type 2 approach fills, cast MSE wall reinforcement or connectors into end bent cap backwalls within 3 inches of locations shown in the accepted MSE wall submittals. Install MSE wall reinforcement with the orientation, dimensions and number of layers shown in the accepted MSE wall submittals. If a Type 2 approach fill is designed with geogrid reinforcement embedded in an end bent cap, cut geogrids to the required lengths and after securing ends of geogrids in place, reroll and rewrap portions of geogrids not embedded in the cap to protect geogrids from damage. Before placing aggregate over any MSE wall geosynthetic reinforcement, pull reinforcement taut so that it is in tension and free of kinks, folds, wrinkles or creases.

For Type 1 and 1A approach fills, place pipe sleeves in wing walls so water drains towards outlets. Use sleeves that can withstand wing wall loads. Insert outlet pipes into pipe sleeves to direct water towards outlets. Attach hardware cloth in front of the outlet pipe at the wing. Connect outlet pipes and fittings with solvent cement in accordance with Article 815-3 of the *Standard Specifications* and place outlet pads in accordance with *Roadway Standard Drawing* No. 815.03.

Attach separation geotextiles to end bent cap backwalls and wing walls with adhesives, tapes or other approved methods. Overlap adjacent geotextiles of the same type at least 18 inches. Cover select material or aggregate with Type 4a geotextile at an elevation 6 inches below the bridge approach slab. Hold geotextiles in place with wire staples or anchor pins as needed. Contact the Engineer when existing or future obstructions such as foundations, pavements, pipes, inlets or utilities will interfere with geotextiles or MSE wall reinforcement.

For Type 1A and 2A approach fills, install temporary geotextile walls as shown in *Roadway Standard Drawing* No. 423.02 or 423.04. At the Contractor's option, construct the bottom portion of integral end bents before temporary geotextile walls as shown in the plans. Erect and set welded wire facing for temporary geotextile walls so facing functions as a form for the integral end bent cap backwall. Place welded wire facing adjacent to each other in the horizontal and vertical directions to completely cover the temporary geotextile wall face. Stagger welded wire facing to create a running bond by centering facing over joints in the row below. Wrap reinforcement geotextiles at the wall face in accordance with *Roadway Standard Drawing* No. 423.02 or 423.04 and cover geotextiles with at least 3 inches of select material or aggregate. Place layers of reinforcement geotextiles within 3 inches of locations shown in *Roadway Standard Drawing* No. 423.02 or 423.04. Install reinforcement geotextiles with the direction shown in *Roadway Standard Drawing* No. 423.02 or 423.04. Orient overlapping seams in reinforcement geotextiles perpendicular to the integral end bent cap backwall. Do not overlap reinforcement geotextiles so seams are parallel to the wall face. Before placing select material or aggregate over reinforcement geotextiles, pull geotextiles taut so they are in tension and free of kinks, folds, wrinkles or creases. Temporary geotextile walls are designed for a surcharge pressure in accordance with *Roadway Standard Drawing* No. 423.02 or 423.04. If loads from construction equipment will be more than what the wall is designed for, contact the Engineer before positioning equipment on top of temporary geotextile walls.

Place select material or aggregate in 6 inch to 8 inch thick lifts. Compact fine aggregate for Type 2 and 2A approach fills in accordance with Subarticle 235-3(C) of the *Standard Specifications* except compact fine aggregate to a density of at least 98%. Compact select material for Type 1 and 1A approach fills and coarse aggregate for Type 2 and 2A approach fills with at least 4 passes of a trench roller in a direction parallel to the end bent cap backwall. Do not displace or damage geosynthetics or MSE wall reinforcement when placing and compacting select material or aggregate. End dumping directly on geosynthetics is not permitted. Do not operate heavy equipment on geosynthetics until they are covered with at least 8 inches of select material or aggregate. Replace any damaged geosynthetics to the satisfaction of the Engineer. When approach fills extend beyond bridge approach slabs, wrap Type 4a geotextiles over select material or aggregate and back under approach slabs as shown in *Roadway Standard Drawing* No. 423.03 or 423.04.

Measurement and Payment

Type 1 and 1A approach fills will be paid for at the contract lump sum price for *Type 1 Bridge Approach Fill, Station _____* and Type 2 and 2A approach fills will be paid for at the contract lump sum price for *Type 2 Bridge Approach Fill, Station _____*. The lump sum price for each approach fill will be full compensation for providing labor, tools, equipment and approach fill materials, excavating, backfilling, hauling and removing excavated materials, installing wall facing, geotextiles and outlets, compacting backfill and supplying select material, aggregate, geotextiles, pipe sleeves, outlet pipes and pads and any incidentals necessary to construct approach fills behind bridge end bents.

Compensation for the material placed within the temporary 1.5:1 (H:V) fill slopes will be made in accordance with Section 225, 226, or 230 of the *Standard Specifications*. The cost of removal, including excavating, hauling, placement, and compaction of the material elsewhere on or off the project will be included in the contract lump sum price for *Type 1 Bridge Approach Fill, Station _____*.

The contract lump sum price for *Type 2 Bridge Approach Fill, Station _____* will also be full compensation for supplying and connecting MSE wall reinforcement to end bent caps but not designing MSE wall reinforcement and connectors. The cost of designing reinforcement and connectors for Type 2 approach fills behind bridge end bents with MSE abutment walls will be incidental to the contract unit price for *MSE Retaining Wall No. _____*.

Payment will be made under:

Pay Item	Pay Unit
Type 1 Bridge Approach Fill, Station _____	Lump Sum
Type 2 Bridge Approach Fill, Station _____	Lump Sum

PRICE ADJUSTMENT - ASPHALT BINDER FOR PLANT MIX:

(11-21-00)(Rev. 1-16-24)

620

SP6 R25

Price adjustments for asphalt binder for plant mix will be made in accordance with Section 620 of the *Standard Specifications*.

The base price index for asphalt binder for plant mix is **\$ 591.63** per ton.

This base price index represents an average of F.O.B. selling prices of asphalt binder at supplier's terminals on **September 1, 2024**.

FINAL SURFACE TESTING NOT REQUIRED:

(5-18-04) (Rev. 2-16-16)

610

SP6 R45

Final surface testing is not required on this project in accordance with Section 610-13, *Final Surface Testing and Acceptance*.

MODIFIED CONCRETE FLUME WITH CONCRETE OUTLET:

(3-19-96)(Rev. 1-16-24)

825

SP8 R10

At locations shown in the plans, construct concrete flumes, concrete curb, and apron in accordance with the details in the plans. Use materials meeting the requirements of Section 825 of the *Standard Specifications* except that the concrete must be Class B or of higher compressive strength.

Each concrete flume, concrete curb, and apron completed and accepted will be paid at the contract unit price per each for *Modified Concrete Flume*. Such price and payment will be full compensation for all materials, labor, equipment, tools, removing and disposing of the temporary slope drains, and any other incidentals necessary to complete the work satisfactorily.

The concrete curb and ditch outside the pay limits of the apron will be measured and paid in accordance with Section 846 and 850 of the *Standard Specifications*.

Payment will be made under:

Pay Item	Pay Unit
Modified Concrete Flume	Each

REINFORCED CONCRETE BUS PAD:**Description**

Construct Reinforced Bus Pad in accordance with Section 848 of the *Standard Specifications* as modified by the typical section and detail in the plans and this provision.

Materials

Concrete shall be Class A Concrete meeting the requirements of Section 1000 of the *Standard Specifications*. Wire mesh reinforcement shall be 6x6xW2.9xW2.9 woven wire sheets meeting the requirements of Section 1070 of the *Standard Specifications*.

Measurement and Payment

Reinforced Concrete Bus Pad will be measured and paid for in square yards of Reinforced Concrete Bus Pad that have been completed and accepted. Such price and payment will be full compensation for all work of constructing the bus pad, including but not limited to excavating and backfilling, furnishing and placing concrete, and constructing joints.

Aggregate Base Course will be measured and paid at the contract unit price per ton for the actual number of tons of aggregate which has been incorporated into the completed and accepted work as described in section 520.

Payment will be made under:

Pay Item	Pay Unit
Reinforced Concrete Bus Pad	Square Yards

PEDESTRIAN SAFETY RAIL:

(8-28-09)(Rev. 10-15-24)

SPI 8-51

Furnish and install steel pipe handrail at locations as shown in the plans, in accordance with the detail in the plans and as directed by the Engineer.

Measurement and Payment

Pedestrian Safety Rail will be measured and paid as the actual number of linear feet of steel pipe handrail measured along the top of the handrail to the nearest 0.1 of a foot. Such price and payment shall be full compensation for fabricating, furnishing, installing, painting, anchoring and all incidentals necessary to satisfactorily install the handrail.

Payment will be made under:

Pay Item

Pedestrian Safety Rail

Pay Unit

Linear Foot

BLACK VINYL COATED CHAIN LINK FENCE:

(1-1-02) (Rev.6-27-18)

SPI 8-37 Rev.

Description

The work covered by this provision consists of furnishing and erecting vinyl coated steel chain link fence mounted on vinyl coated posts that complies with the plans and Articles 866 and 1050 of the *Standard Specifications*.

Materials

Provide materials that meet the requirements of Article 866-2 of the *Standard Specifications*.

Construction Methods

Construct the vinyl coated chain link fence in accordance with Article 866-3 of the *Standard Specifications*.

Measurement and Payment

Black Vinyl Coated Chain Link Fence, 48" Fabric will be measured and paid in linear feet of fence measured in place from center of each post or gate post to center of end post or gate post exclusive of gate sections, that has been completed and accepted.

Black Vinyl Coated Metal Line Posts, 48" Chain Link Fence will be measured and paid in units of each for the several sizes and kinds of posts actually installed on the project. For extra length metal posts, the actual length of post in place in excess of the standard pay length for each post shall be measured in linear feet, and half of such length shall be converted to an equivalent number of standard length posts of the same size for which a pay item has been established. In converting to equivalent numbers of standard length posts, any fractional portion of a post

remaining from the division of a total number of linear feet by a standard post length shall be considered as equal to one post.

Black Vinyl Coated Metal Terminal Posts, 48" Chain Link Fence will be measured and paid in units of each for all end, corner and brace posts installed on the project.

Payment will be made under:

Pay Item	Pay Unit
Black Vinyl Coated Chain Link Fence, 48" Fabric	Linear Foot
Black Vinyl Coated Metal Line Posts, 48" Chain Link Fence	Each
Black Vinyl Coated Metal Terminal Posts, 48" Chain Link Fence	Each

ELECTRONIC TICKETING SYSTEM:

(7-16-24)

1020

SP10 R20

Description

At the contractor’s option, the use of an electronic ticketing system for reporting individual and cumulative asphalt material deliveries may be utilized on this project. At the preconstruction conference, the contractor shall notify the Engineer if they intend to utilize an electronic ticketing system for reporting individual and cumulative asphalt material deliveries to the project.

Electronic Ticketing Requirements

- a. The electronic ticketing system must be fully integrated with the load read-out system at the plant. The system shall be designed so data inputs from scales cannot be altered by either the Contractor or the Department.
- b. Material supplier must test to confirm that ticketing data can be shared from the originating system no less than 30 days prior to project start.
- c. After each truck is loaded, ticket data must be electronically captured, and ticket information uploaded via Application Programming Interface (API) to the Department.
- d. Obtain security token from NCDOT for access to E-Ticketing portal (to send tickets). To request a Security Key, fill out the below E-Ticketing Security Request Form: <https://forms.office.com/g/XnT7QeRtgt>
- e. Obtain API from NCDOT containing the required e-ticketing data fields and format. Download the API from the NCDOT E-ticketing Webpage: <https://connect.ncdot.gov/projects/construction/E-Ticketing/Pages/default.aspx>
- f. Provide all ticket information in real time and daily summaries to the Department’s designated web portal. If the project contains locations with limited cellular service, an alternative course of action must be agreed upon.

- g. Electronic ticketing submissions must be sent between the Material Supplier and the Department.
- h. The electronic ticket shall contain the following information:

- Date
- Time
- Contract Number
- Supplier Name
- Contractor Name
- Material
- JMF
- Gross Weight
- Tare Weight
- Net Weight
- Load Number
- Cumulative Weight
- Truck Number
- Weighmaster Certification
- Weighmaster Expiration
- Weighmaster Name
- Facility Name
- Plant Type
- Plant Number
- Ticket Number
- Voided Ticket Number (if necessary)
- Original Ticket Number (if necessary)
- Supplier Revision (If necessary)

The Contractor/supplier can use the electronic ticketing system of their choice to meet the requirements of this provision.

Measurement and Payment

No measurement or payment will be made for utilizing an electronic ticketing system as the cost of such shall be included in the contract price bid for the material being provided.

GLASS BEAD GRADATION FOR PAVEMENT MARKINGS:

(9-17-24)

1087

SP10 R87

Revise the *Standard Specifications* as follows:

Page 10-187, Subarticle 1087-4(C), Gradation & Roundness, after line 6, delete and replace Table 1087-2 with the following:

TABLE 1087-2		
GLASS BEAD GRADATION REQUIREMENTS		
Sieve Size	Gradation Requirements	
	Minimum	Maximum
Passing #20	100%	--
Retained on #30	5%	15%
Retained on #50	40%	80%
Retained on #80	15%	40%
Passing #80	0%	10%
Retained on #200	0%	5%

TEMPORARY SHORING:

(2-20-07)(Rev. 1-16-24)

SP11 R02

Description

Temporary shoring includes cantilever, braced and anchored shoring and temporary mechanically stabilized earth (MSE) walls. Temporary shoring does not include trench boxes. At the Contractor's option, use any type of temporary shoring unless noted otherwise in the plans or as directed. Design and construct temporary shoring based on actual elevations and shoring dimensions in accordance with the contract and accepted submittals. Construct temporary shoring at locations shown in the plans and as directed. Temporary shoring is required to maintain traffic when a 2:1 (H:V) slope from the top of an embankment or bottom of an excavation will intersect the existing ground line less than 5 feet from the edge of pavement of an open travelway. This provision does not apply to pipe, inlet or utility installation unless noted otherwise in the plans.

Positive protection includes concrete barrier and temporary guardrail. Provide positive protection for temporary shoring at locations shown in the plans and as directed. Positive protection is required if temporary shoring is located in the clear zone in accordance with the *AASHTO Roadside Design Guide*.

(A) Cantilever and Braced Shoring

Cantilever shoring consists of steel sheet piles or H-piles with timber lagging. Braced shoring consists of sheet piles or H-piles with timber lagging and bracing such as beams, plates, walers, struts, rakers, etc. Define "piles" as sheet piles or H-piles.

(B) Anchored Shoring

Anchored shoring consists of sheet piles with walers or H-piles with timber lagging anchored with ground or helical anchors. Driven anchors may be accepted at the

discretion of the Engineer. A ground anchor consists of a grouted steel bar or multi-strand tendon with an anchorage. A helical anchor consists of a lead section with a central steel shaft and at least one helix steel plate followed by extensions with only central shafts (no helixes) and an anchorage. Anchorages consist of steel bearing plates with washers and hex nuts for bars or steel wedge plates and wedges for strands. Use a prequalified Anchored Wall Contractor to install ground anchors. Define “anchors” as ground, helical or driven anchors.

(C) Temporary MSE Walls

Temporary MSE walls include temporary geosynthetic and wire walls. Define “temporary wall” as a temporary MSE wall and “Temporary Wall Vendor” as the vendor supplying the temporary MSE wall. Define “reinforcement” as geotextile, geogrid, geostrip, welded wire grid or metallic strip reinforcement.

Temporary geosynthetic walls consist of geotextiles or geogrids wrapped behind welded wire facing or geostrips connected to welded wire facing. Define “temporary geotextile wall” as a temporary geosynthetic wall with geotextile reinforcement, “temporary geogrid wall” as a temporary geosynthetic wall with geogrid reinforcement and “temporary geostrip wall” as a temporary geosynthetic wall with geostrip reinforcement.

Temporary wire walls consist of welded wire grid or metallic strip reinforcement connected to welded wire facing. Define “Wire Wall Vendor” as the vendor supplying the temporary wire wall.

(D) Embedment

Define “embedment” for cantilever, braced and anchored shoring as the pile depth below the grade in front of shoring. Define “embedment” for temporary walls as the wall embedment below the grade at the wall face.

(E) Positive Protection

Define “unanchored or anchored portable concrete barrier” as portable concrete barrier (PCB) that meets *Roadway Standard Drawing* No. 1170.01. Define “concrete barrier” as unanchored or anchored PCB or an approved equal. Define “temporary guardrail” as temporary steel beam guardrail that meets *Roadway Standard Drawing* No. 862.02.

Materials

Refer to the *Standard Specifications*.

Item	Section
Concrete Barrier Materials	1170-2
Flowable Fill, Excavatable	1000-7
Geosynthetics	1056
Grout, Type 1	1003
Portland Cement	1024-1
Portland Cement Concrete	1000
Select Materials	1016
Steel Beam Guardrail Materials	862-2
Steel Plates	1072-2
Steel Sheet Piles and H-Piles	1084
Untreated Timber	1082-2
Water	1024-4
Welded Wire Reinforcement	1070-3

Provide Type 6 material certifications for shoring materials in accordance with Article 106-3 of the *Standard Specifications*. Use Class IV select material for temporary guardrail and Class A concrete that meets Article 450-2 of the *Standard Specifications* or Type 1 grout for drilled-in piles. Provide untreated timber with a thickness of at least 3 inches and a bending stress of at least 1,000 pounds per square inch for timber lagging. Provide steel bracing that meets ASTM A36.

(A) Shoring Backfill

Use Class II, Type 1, Class III, Class V or Class VI select material or material that meets AASHTO M 145 for soil classification A-2-4 with a maximum PI of 6 for shoring backfill except do not use A-2-4 soil for backfill around culverts.

(B) Anchors

Store anchor materials on blocking a minimum of 12 inches above the ground and protect it at all times from damage; and when placing in the work make sure it is free from dirt, dust, loose mill scale, loose rust, paint, oil or other foreign materials. Load, transport, unload and store anchor materials so materials are kept clean and free of damage. Bent, damaged or defective materials will be rejected.

(1) Ground Anchors

Use high-strength deformed steel bars that meet AASHTO M 275 or seven-wire strands that meet ASTM A886 or Article 1070-5 of the *Standard Specifications*. Splice bars in accordance with Article 1070-9 of the *Standard Specifications*. Do not splice strands. Use bondbreakers, spacers and centralizers that meet Article 6.3.5 of the *AASHTO LRFD Bridge Construction Specifications*.

Use neat cement grout that only contains cement and water with a water cement ratio of 0.4 to 0.5 which is approximately 5.5 gallons of water per 94 pounds of Portland cement. Provide grout with a compressive strength at 3 and 28 days of at least 1,500 and 4,000 psi, respectively.

(2) Helical Anchors

Use helical anchors with an ICC Evaluation Service, Inc. (ICC-ES) report. Provide couplers, thread bar adapters and bolts recommended by the Anchor Manufacturer to connect helical anchors together and to piles.

(3) Anchorages

Provide steel plates for bearing plates and steel washers, hex nuts, wedge plates and wedges recommended by the Anchor Manufacturer.

(C) Temporary Walls

(1) Welded Wire Facing

Use welded wire reinforcement for welded wire facing, struts and wires. For temporary wire walls, provide welded wire facing supplied by the Wire Wall Vendor or a manufacturer approved or licensed by the vendor. For temporary wire walls with separate reinforcement and facing components, provide connectors (e.g., bars, clamps, plates, etc.) and fasteners (e.g., bolts, nuts, washers, etc.) required by the Wire Wall Vendor.

(2) Geotextiles

Provide Type 2 geotextile for separation and retention geotextiles. Provide Type 5 geotextile for geotextile reinforcement with ultimate tensile strengths in accordance with the accepted submittals.

(3) Geogrid and Geostrip Reinforcement

Use geogrids with a roll width of at least 4 feet. Use geogrids for geogrid reinforcement and geostrips for geostrip reinforcement with an “approved” status code in accordance with the NCDOT Geosynthetic Reinforcement Evaluation Program. The list of approved geogrids and geostrips is available from: connect.ncdot.gov/resources/Geological/Pages/Products.aspx

Provide geogrids and geostrips with design strengths in accordance with the accepted submittals. Geogrids and geostrips are approved for short-term design strengths (3-year design life) in the machine direction (MD) and cross-machine direction (CD) based on material type. Define material type from the website above for shoring backfill as follows:

Material Type	Shoring Backfill
Borrow	A-2-4 Soil
Fine Aggregate	Class II, Type 1 or Class III Select Material
Coarse Aggregate	Class V or VI Select Material

(4) Welded Wire Grid and Metallic Strip Reinforcement

Provide welded wire grid and metallic strip reinforcement supplied by the Wire Wall Vendor or a manufacturer approved or licensed by the vendor. Use welded wire grid reinforcement (“mesh”, “mats” and “ladders”) that meet Article 1070-3 of the *Standard Specifications* and metallic strip reinforcement (“straps”) that meet ASTM A572 or A1011.

Preconstruction Requirements

(A) Concrete Barrier

Define “clear distance” behind concrete barrier as the horizontal distance between the barrier and edge of pavement. The minimum required clear distance for concrete barrier is shown in the plans. At the Contractor’s option or if the minimum required clear distance is not available, set concrete barrier next to and up against traffic side of temporary shoring except for barrier above temporary walls. Concrete barrier with the minimum required clear distance is required above temporary walls.

(B) Temporary Guardrail

Define “clear distance” behind temporary guardrail as the horizontal distance between guardrail posts and temporary shoring. At the Contractor’s option or if clear distance for cantilever, braced and anchored shoring is less than 4 feet, attach guardrail to traffic side of shoring as shown in the plans. Place ABC in clear distance and around guardrail posts instead of pavement. Do not use temporary guardrail above temporary walls.

(C) Temporary Shoring Designs

Before beginning temporary shoring design, survey existing ground elevations in the vicinity of shoring locations to determine actual design heights (H). Submit PDF files of working drawings and design calculations for temporary shoring designs in accordance with Article 105-2 of the *Standard Specifications*. Submit working drawings showing plan views, shoring profiles, typical sections and details of temporary shoring design and construction sequence. Do not begin shoring construction until a design submittal is accepted.

Have cantilever and braced shoring designed, detailed and sealed by an engineer licensed in the state of North Carolina. Use a prequalified Anchored Wall Design Consultant to design anchored shoring. Provide anchored shoring designs sealed by a Design Engineer approved as a Geotechnical Engineer (key person) for an Anchored Wall Design Consultant. Include details in anchored shoring working drawings of anchor locations and lock-off loads, unit grout/ground bond strengths for ground anchors or minimum installation torque and torsional strength rating for helical anchors and if necessary, obstructions extending through shoring or interfering with anchors. Include details in the anchored shoring construction sequence of pile and anchor installation, excavation and anchor testing.

Provide temporary wall designs sealed by a Design Engineer licensed in the state of North Carolina and employed or contracted by the Temporary Wall Vendor. Include details in temporary wall working drawings of geotextile and reinforcement types, locations and directions and obstructions extending through walls or interfering with reinforcement.

(1) Soil Parameters

Design temporary shoring for the assumed soil parameters and groundwater or flood elevations shown in the plans. Assume the following soil parameters for shoring backfill:

(a) Unit weight (γ) = 120 pcf,

Friction Angle (ϕ)	Shoring Backfill
30°	A-2-4 Soil
34°	Class II, Type 1 or Class III Select Material
38°	Class V or VI Select Material

(c) Cohesion (c) = 0 psf.

(2) Traffic Surcharge

Design temporary shoring for a traffic surcharge of 250 pounds per square foot if traffic will be above and within H of shoring. This traffic surcharge does not apply to construction traffic. Design temporary shoring for any construction surcharge if construction traffic will be above and within H of shoring. Design temporary shoring for a traffic (live load) surcharge in accordance with Article 11.5.6 of the *AASHTO LRFD Bridge Design Specifications*.

(3) Cantilever, Braced and Anchored Shoring Designs

Use shoring backfill for fill sections and voids between cantilever, braced and anchored shoring and the critical failure surface. Use concrete or Type 1 grout for embedded portions of drilled-in H-piles. Do not use drilled-in sheet piles.

Define “top of shoring” for cantilever, braced and anchored shoring as where the grade intersects the back of sheet piles or H-piles and timber lagging. Design cantilever, braced and anchored shoring for a traffic impact load of 2,000 pounds per foot applied 18 inches above top of shoring if concrete barrier is above and next to shoring or temporary guardrail is above and attached to shoring. Extend cantilever, braced and anchored shoring at least 32 inches above top of shoring if shoring is designed for traffic impact. Otherwise, extend shoring at least 6 inches above top of shoring.

Design cantilever, braced and anchored shoring for a maximum deflection of 3 inches if the horizontal distance to the closest edge of pavement or structure is less than H. Otherwise, design shoring for a maximum deflection of 6 inches.

Design cantilever and braced shoring in accordance with the plans and *AASHTO Guide Design Specifications for Bridge Temporary Works*.

Design anchored shoring in accordance with the plans and Article 11.9 of the *AASHTO LRFD Bridge Design Specifications*. Use a resistance factor of 0.80 for tensile resistance of anchors with bars, strands or shafts. Extend the unbonded length for ground anchors and the shallowest helix for helical anchors at least 5 feet behind the critical failure surface. Do not extend anchors beyond right-of-way or easement limits. If existing or future obstructions such as foundations, guardrail posts, pavements, pipes, inlets or utilities will interfere with anchors, maintain a clearance of at least 6 inches between obstructions and anchors.

(4) Temporary Wall Designs

Use shoring backfill in the reinforced zone of temporary walls. Separation geotextiles are required between shoring backfill and backfill, natural ground or culverts along the sides of the reinforced zone perpendicular to the wall face. For Class V or VI select material in the reinforced zone, separation geotextiles are also required between shoring backfill and backfill or natural ground on top of and at the back of the reinforced zone.

Design temporary walls in accordance with the plans and Article 11.10 of the *AASHTO LRFD Bridge Design Specifications*. Embed temporary walls at least 18 inches except for walls on structures or rock as determined by the Engineer. Use a uniform reinforcement length throughout the wall height of at least 0.7H or 6 feet, whichever is longer. Extend the reinforced zone at least 6 inches beyond end of reinforcement. Do not locate the reinforced zone outside right-of-way or easement limits.

Use the simplified method for determining maximum reinforcement loads in accordance with the AASHTO LRFD specifications. For geotextile reinforcement, use geotextile properties approved by the Department or default values in accordance with the AASHTO LRFD specifications. For geogrid and geostrip reinforcement, use approved geosynthetic reinforcement properties available from the website shown elsewhere in this provision. Use geosynthetic properties for the direction reinforcement will be installed, a 3-year design life and shoring backfill to be used in the reinforced zone.

Do not use more than 4 different reinforcement strengths for each temporary geosynthetic wall. Design temporary geotextile walls for a reinforcement coverage ratio (R_c) of 1.0. For temporary geogrid walls with an R_c of less than 1.0, use a maximum horizontal clearance between geogrids of 3 feet and stagger reinforcement so geogrids are centered over gaps in the reinforcement layer below.

For temporary geosynthetic walls, use “L” shaped welded wire facing with 18 to 24 inch long legs. Locate geosynthetic reinforcement so reinforcement layers are at the same level as the horizontal legs of welded wire facing. Use vertical

reinforcement spacing equal to facing height. Wrap geotextile or geogrid reinforcement behind welded wire facing and extend reinforcement at least 3 feet back behind facing into shoring backfill. Attach geostrip reinforcement to welded wire facing with a connection approved by the Department.

For temporary wire walls with separate reinforcement and facing components, attach welded wire grid or metallic strip reinforcement to welded wire facing with a connection approved by the Department. For temporary geogrid, geostrip and wire walls, retain shoring backfill at welded wire facing with retention geotextiles and extend geotextiles at least 3 feet back behind facing into backfill.

(D) Preconstruction Meeting

The Engineer may require a shoring preconstruction meeting to discuss the construction, inspection and testing of the temporary shoring. If required and if this meeting occurs before all shoring submittals have been accepted, additional preconstruction meetings may be required before beginning construction of temporary shoring without accepted submittals. The Resident, District or Bridge Maintenance Engineer, Area Construction Engineer, Geotechnical Operations Engineer, Contractor and Shoring Contractor Superintendent will attend preconstruction meetings.

Construction Methods

Control drainage during construction in the vicinity of shoring. Direct run off away from shoring and shoring backfill. Contain and maintain backfill and protect material from erosion.

Install positive protection in accordance with the contract and accepted submittals. Use PCB in accordance with Section 1170 of the *Standard Specifications* and *Roadway Standard Drawing* No. 1170.01. Use temporary guardrail in accordance with Section 862 of the *Standard Specifications* and *Roadway Standard Drawing* Nos. 862.01, 862.02 and 862.03.

(A) Tolerances

Construct shoring with the following tolerances:

- (1) Horizontal wires of welded wire facing are level in all directions,
- (2) Shoring location is within 6 inches of horizontal and vertical alignment shown in the accepted submittals, and
- (3) Shoring plumbness (batter) is not negative and within 2 degrees of vertical.

(B) Cantilever, Braced and Anchored Shoring Installation

If overexcavation behind cantilever, braced or anchored shoring is shown in the accepted submittals, excavate before installing piles. Otherwise, install piles before excavating for shoring. Install cantilever, braced or anchored shoring in accordance with the construction sequence shown in the accepted submittals. Remove piles and if applicable,

timber lagging when shoring is no longer needed.

(1) Pile Installation

Install piles with the minimum required embedment and extension in accordance with Subarticles 450-3(D) and 450-3(E) of the *Standard Specifications* except that a pile driving equipment data form is not required. Piles may be installed with a vibratory hammer as approved by the Engineer.

Do not splice sheet piles. Use pile excavation to install drilled-in H-piles. After filling holes with concrete or Type 1 grout to the elevations shown in the accepted submittals, remove any fluids and fill remaining portions of holes with flowable fill. Cure concrete or grout at least 7 days before excavating.

Notify the Engineer if refusal is reached before pile excavation or driven piles attain the minimum required embedment. When this occurs, a revised design submittal may be required.

(2) Excavation

Excavate in front of piles from the top down in accordance with the accepted submittals. For H-piles with timber lagging and braced and anchored shoring, excavate in staged horizontal lifts with a maximum height of 5 feet. Remove flowable fill and material in between H-piles as needed to install timber lagging. Position lagging with at least 3 inches of contact in the horizontal direction between the lagging and pile flanges. Do not excavate the next lift until timber lagging for the current lift is installed and if applicable, bracing and anchors for the current lift are accepted. Backfill behind cantilever, braced or anchored shoring with shoring backfill.

(3) Anchor Installation

If applicable, install foundations located behind anchored shoring before installing anchors. Fabricate and install ground anchors in accordance with the accepted submittals, Articles 6.4 and 6.5 of the *AASHTO LRFD Bridge Construction Specifications* and the following unless otherwise approved:

- (a) Materials in accordance with this provision are required instead of materials conforming to Articles 6.4 and 6.5.3 of the AASHTO LRFD Specifications,
- (b) Encapsulation-protected ground anchors in accordance with Article 6.4.1.2 of the AASHTO LRFD specifications are not required, and
- (c) Corrosion protection for unbonded lengths of ground anchors and anchorage covers are not required.
- (d) Mix and place neat cement grout in accordance with Subarticles 1003-5,

1003-6 and 1003-7 of the *Standard Specifications*. Measure grout temperature, density and flow during grouting with at least the same frequency grout cubes are made for compressive strength. Perform density and flow field tests in the presence of the Engineer in accordance with American National Standards Institute/American Petroleum Institute Recommended Practice 13B-1 (Section 4, Mud Balance) and ASTM C939 (Flow Cone), respectively.

Install helical anchors in accordance with the accepted submittals and Anchor Manufacturer's instructions. Measure torque during installation and do not exceed the torsional strength rating of the helical anchor. Attain the minimum required installation torque and penetration before terminating anchor installation. When replacing a helical anchor, embed last helix of the replacement anchor at least 3 helix plate diameters past the location of the first helix of the previous anchor.

(4) Anchor Testing

Proof test and lock-off anchors in accordance with the accepted submittals and Article 6.5.5 of the *AASHTO LRFD Bridge Construction Specifications* except for the acceptance criteria in Article 6.5.5.5. For the AASHTO LRFD specifications, "ground anchor" refers to a ground or helical anchor and "tendon" refers to a bar, strand or shaft.

(a) Anchor Acceptance

Anchor acceptance is based in part on the following criteria.

- (i) For ground and helical anchors, total movement is less than 0.04 inches between the 1 and 10 minute readings or less than 0.08 inches between the 6 and 60 minute readings.
- (ii) For ground anchors, total movement at maximum test load exceeds 80% of the theoretical elastic elongation of the unbonded length.

(b) Anchor Test Results

Submit PDF files of anchor test records including movement versus load plots for each load increment within 24 hours of completing each row of anchors. The Engineer will review the test records to determine if the anchors are acceptable.

If the Engineer determines an anchor is unacceptable, revise the anchor design or installation methods. Submit a revised anchored shoring design for acceptance and provide an acceptable anchor with the revised design or installation methods. If required, replace the anchor or provide additional anchors with the revised design or installation methods.

(C) Temporary Wall Installation

Excavate as necessary for temporary walls in accordance with the plans and accepted submittals. If applicable, install foundations located in the reinforced zone before placing shoring backfill or reinforcement unless otherwise approved. Notify the Engineer when foundation excavation is complete. Do not place shoring backfill or reinforcement until excavation dimensions and foundation material are approved.

Erect welded wire facing so the wall position is as shown in the plans and accepted submittals. Set welded wire facing adjacent to each other in the horizontal and vertical direction to completely cover the wall face with facing. Stagger welded wire facing to create a running bond by centering facing over joints in the row below.

Attach geostrip reinforcement to welded wire facing and wrap geotextile reinforcement and retention geotextiles behind welded wire facing as shown in the plans and accepted submittals. Cover geotextiles with at least 3" of shoring backfill. Overlap adjacent geotextile reinforcement and retention and separation geotextiles at least 18 inches with seams oriented perpendicular to the wall face. Hold geotextiles in place with wire staples or anchor pins as needed.

Place reinforcement within 3 inches of locations shown in the plans and accepted submittals. Before placing shoring backfill, pull geosynthetic reinforcement taut so it is in tension and free of kinks, folds, wrinkles or creases. Install reinforcement with the direction shown in the plans and accepted submittals. For temporary wire walls with separate reinforcement and facing components, attach welded wire grid or metallic strip reinforcement to welded wire facing as shown in the accepted submittals. Do not splice or overlap reinforcement so seams are parallel to the wall face. Contact the Engineer when unanticipated existing or future obstructions such as foundations, pavements, pipes, inlets or utilities will interfere with reinforcement.

Place shoring backfill in the reinforced zone in 8 to 10 inch thick lifts. Compact A-2-4 soil and Class II, Type 1 and Class III select material in accordance with Subarticle 235-3(C) of the *Standard Specifications*. Use only hand operated compaction equipment to compact backfill within 3 feet of welded wire facing. At a distance greater than 3 feet, compact shoring backfill with at least 4 passes of an 8 to 10 ton vibratory roller in a direction parallel to the wall face. Smooth wheeled or rubber tired rollers are also acceptable for compacting backfill. Do not use sheepsfoot, grid rollers or other types of compaction equipment with feet. Do not displace or damage reinforcement when placing and compacting shoring backfill. End dumping directly on geosynthetics is not permitted. Do not operate heavy equipment on reinforcement until it is covered with at least 8 inches of shoring backfill. Replace any damaged reinforcement to the satisfaction of the Engineer.

Backfill for temporary walls outside the reinforced zone in accordance with Article 410-8 of the *Standard Specifications*. Bench temporary walls into the sides of excavations where applicable. For temporary geosynthetic walls with top of wall within 5 feet of finished grade, remove top facing and incorporate top reinforcement layer into fill when placing fill in front of wall. Temporary walls remain in place permanently unless otherwise required.

Measurement and Payment

Temporary Shoring will be measured and paid in square feet. Temporary walls will be measured as the square feet of exposed wall face area. Cantilever, braced or anchored shoring will be measured as the square feet of exposed shoring face area with the shoring height equal to the difference between the top and bottom of shoring elevations. Define “top of shoring” as where the grade intersects the back of sheet piles or H-piles and timber lagging. Define “bottom of shoring” as where the grade intersects front of sheet piles or H-piles and timber lagging. No measurement will be made for any embedment, shoring extension above top of shoring or pavement thickness above temporary walls.

The contract unit price for *Temporary Shoring* will be full compensation for providing shoring designs, submittals and materials, excavating, backfilling, hauling and removing excavated materials and supplying all labor, tools, equipment and incidentals necessary to construct temporary shoring.

No payment will be made for temporary shoring not shown in the plans or required by the Engineer including shoring for OSHA reasons or the Contractor’s convenience. No value engineering proposals will be accepted based solely on revising or eliminating shoring locations shown in the plans or estimated quantities shown in the bid item sheets as a result of actual field measurements or site conditions.

PCB will be measured and paid in accordance with Article 1170-4 of the *Standard Specifications*. No additional payment will be made for anchoring PCB for temporary shoring. Costs for anchoring PCB will be incidental to temporary shoring.

Temporary guardrail will be measured and paid for in accordance with Article 862-6 of the *Standard Specifications*.

Payment will be made under:

Pay Item	Pay Unit
Temporary Shoring	Square Foot

SNOWPLOWABLE DELINEATION:

(10-15-24)

1253

SP12 R53

Description

Furnish, install and maintain snowplowable delineation.

There are five snowplowable delineation alternate options approved for use in North Carolina. They include the following markers and markings options:

- (1) Polycarbonate H-shaped Markers
- (2) Inlaid Raised Pavement Markers
- (3) 10' Rumble Skips
- (4) Inlaid Cradle Markers

(5) 10' Inlaid Pavement Markings

Only one type of snowplowable delineation will be allowed on a single project.

Materials

Refer to Division 10 of the *Standard Specifications*.

Item	Section
Epoxy	1081
Pavement Markings	1087
Snowplowable Pavement Markers	1086-3

Any snowplowable pavement delineation shall conform to the applicable requirements of Sections 1086, 1087, and 1081 of the *Standards and Specifications*. Use snowplowable delineation markers and markings listed on the NCDOT APL. Any treatment that requires pavement cutting or milling shall be installed within 7 calendar days of the pavement cutting or milling operation.

Construction Methods**(A) General**

For any snowplowable delineation, prior to installation, by brushing, blow cleaning, vacuuming or other suitable means, ensure that all materials and the pavement surface are free of dirt, grease, dust, oil, moisture, mud, grass, or any other material that would prevent adhesion to the pavement by brushing blow cleaning, or vacuuming. If required, apply a primer per manufactures recommendations to pavement surfaces before applying pavement marking material.

Install snowplowable delineation per manufacturers specifications every 80 feet. Make sure pavement markers are oriented to traffic correctly and pavement markings are applied in a uniform thickness. Do not apply markings over longitudinal joints. Protect the pavement markings until they are tack free. Apply applicable Sections 1205 and 1250 of the *Standards Specifications*.

If damage occurs during installation the effected treatments shall be corrected or replaced. This work shall be considered incidental to the installation of the marking or marker.

(B) Polycarbonate H-shaped Markers and Inlaid Cradle Markers

Bond marker housings to the pavement with epoxy adhesive. Mechanically mix and dispense epoxy adhesives as required by the manufacturer's specifications. Place the markers immediately after the adhesive has been mixed and dispensed.

Install polycarbonate H-shaped markers and inlaid cradle markers castings into slots sawcut into the pavement. Make slots in the pavement to exactly duplicate the shape of the casting of the polycarbonate H-shaped markers and inlaid cradle markers.

If saw cutting, milling, or grooving operations are used, promptly remove all resulting debris from the pavement surface. Install the marker housings within 7 calendar days after saw cutting, milling, or grooving the pavement. Remove and dispose of loose material from the slots by brushing, blow cleaning or vacuuming. Dry the slots before applying the epoxy adhesive. Install polycarbonate H-shaped markers and inlaid cradle markers according to the manufacturer's recommendations.

Protect the polycarbonate H-shaped markers or inlaid cradle markers until the epoxy has initially cured and is track free.

Construct inlaid cradle markers in accordance with the details in the plans and as directed by the Engineer.

(C) Reflector Replacement

The following requirements only apply to polycarbonate H-shaped markers and inlaid cradle markers.

In the event that a reflector is damaged, replace the damaged reflector by using adhesives and methods recommended by the manufacturer of the markers and approved by the Engineer. This work is considered incidental if damage occurs during the initial installation of the marker housings and maintenance of initial polycarbonate H-shaped markers or inlaid cradle markers specified in this section.

If during reflector replacement it is discovered that the housing is missing or broken this will be paid as *Polycarbonate H-shaped Markers* or *Inlaid Cradle Markers*. Missing housings shall be replaced. Broken housings shall be removed and replaced. In both cases the slot for the housings shall be properly prepared prior to installing the new housing; patch the existing marker slots as directed by the Engineer and install the new marker approximately one foot before or after the patch. Removal of broken housings and preparation of slots will be considered incidental to the work of replacing housings.

(D) Inlaid Raised Pavement Markers

Cut groove in accordance with the details in the plans and as directed by the Engineer.

Use adhesive recommended by the manufacturer to install markers into the groove in accordance with Section 1251. The raised pavement markers are incidental to inlaid raised pavement markers.

(E) 10' Rumble Skips

Construct 10' rumble skips on asphalt concrete in accordance with Section 665 for all centerline and shoulder rumble skips, details in the plans and as directed by the Engineer. Construct 10' rumble skips on Portland cement concrete in accordance with Section 730 for all centerline and shoulder rumble skips, details in the plans and as directed by the Engineer. The milled rumble strips are incidental to the rumble skips. Using polyurea or extruded 90 mil thermoplastic construct pavement markings in accordance with Section 1205.

(F) 10' Inlaid Pavement Markings

The groove in which the marking is to be placed shall be one inch wider than the marking to be placed and 10 mils deeper than the thickness of the marking.

When using this method, use enhanced reflective media. The following retroreflectivity values shall be met.

MINIMUM INITIAL REFLECTOMETER READINGS		
Item	Color	Reflectivity
Enhanced Reflectivity Media	White	450 mcd/lux/m ²
	Yellow	350 mcd/lux/m ²

Using polyurea, extruded 90 mil thermoplastic or cold applied plastic construct pavement markings in accordance with Section 1205.

Maintenance

Maintain all installed snowplowable delineation before acceptance by the Engineer.

Measurement and Payment

Polycarbonate H-shaped Markers will be measured and paid as the actual number of polycarbonate H-shaped markers satisfactorily placed and accepted by the Engineer.

Inlaid Raised Pavement Markers will be measured and paid as the actual number of inlaid raised pavement markers satisfactorily placed and accepted by the Engineer.

10' Rumble Skips will be measured and paid as the actual number of rumble skips satisfactorily placed and accepted by the Engineer.

Inlaid Cradle Markers will be measured and paid as the actual number of pavement markers satisfactorily placed and accepted by the Engineer.

10' Inlaid Pavement Markings will be measured and paid as the actual number of 10' inlaid pavement markings satisfactorily placed and accepted by the Engineer.

Replace Snowplowable Pavement Marker Reflector will be measured and paid in accordance with Article 1253-5.

Payment will be made under:

Pay Item	Pay Unit
Polycarbonate H-shaped Markers	Each
Inlaid Raised Pavement Markers	Each
10' Rumble Skips	Each
Inlaid Cradle Markers	Each
10' Inlaid Pavement Markings	Each

WATTLE DEVICES:

(1-1-24)

1642

SP16 R01

Page 16-23, Subarticle 1642-2(B) Wattle, lines 10-12, delete and replace with the following:

(B) Wattle and Wattle Barrier

Wattles shall meet Table 1642-1.

TABLE 1642-1	
100% CURLED WOOD (EXCELSIOR) FIBERS - WATTLE	
Property	Property Value
Minimum Diameter	12 inches
Minimum Density	2.5 pcf +/- 10%
Net Material	Synthetic
Net Openings	1 inch x 1 inch
Net Configuration	Totally Encased
Minimum Weight	20 lb +/- 10% per 10 foot length

Coir Fiber Wattles shall meet Table 1642-2.

TABLE 1642-2	
100% COIR (COCONUT) FIBERS WATTLE	
Property	Property Value
Minimum Diameter	12 inches
Minimum Density	3.5 pcf +/- 10%
Net Material	Coir Fiber
Net Openings	2 inch x 2 inch
Net Strength	90 lb
Minimum Weight	2.6 pcf +/- 10%

Wattle Barriers shall meet Table 1642-3.

TABLE 1642-3 100% CURLED WOOD (EXCELSIOR) FIBERS – WATTLE BARRIER	
Property	Property Value
Minimum Diameter	18 inches
Minimum Density	2.9 pcf +/- 10%
Net Material	Synthetic
Net Openings	1 inch x 1 inch
Net Configuration	Totally Encased
Minimum Weight	5 pcf +/- 10%

Coir Fiber Wattle Barriers shall meet Table 1642-4.

TABLE 1642-4 100% COIR (COCONUT) FIBERS WATTLE BARRIER	
Property	Property Value
Minimum Diameter	18 inches
Minimum Density	5 pcf +/- 10%
Net Material	Coir Fiber
Net Openings	2 inch x 2 inch
Net Strength	90 lb
Minimum Weight	10 pcf +/- 10%

Pages 16-24 & 16-25, Article 1642-5 MEASUREMENT AND PAYMENT, lines 42-47 & lines 1-2, delete and replace with the following:

Wattle will be measured and paid for by the actual number of linear feet of wattles which are installed and accepted. Such price and payment will be full compensation for all work covered by this section, including, but not limited to, furnishing all materials, labor, equipment and incidentals necessary to install the *Wattle*.

Coir Fiber Wattles will be measured and paid for by the actual number of linear feet of coir fiber wattles which are installed and accepted. Such price and payment will be full compensation for all work covered by this section, including, but not limited to, furnishing all materials, labor, equipment and incidentals necessary to install the *Coir Fiber Wattles*.

Wattle Barrier will be measured and paid as the actual number of linear feet of wattle barrier installed and accepted. Such price and payment will be full compensation for all work covered by this provision, including, but not limited to, furnishing all materials, labor, equipment and incidentals necessary to install the *Wattle Barrier*.

Coir Fiber Wattle Barrier will be measured and paid as the actual number of linear feet of coir fiber wattle barrier installed and accepted. Such price and payment will be full compensation for all work covered by this provision, including, but not limited to, furnishing all materials, labor, equipment and incidentals necessary to install the *Coir Fiber Wattle Barrier*.

Page 16-25, Article 1642-5 MEASUREMENT AND PAYMENT, after line 9, delete and replace “ ___ Wattle Check” with “Wattle”.

Page 16-25, Article 1642-5 MEASUREMENT AND PAYMENT, after line 9, delete and replace “ ___ Wattle Barrier” with “Wattle Barrier”.

Page 16-25, Article 1642-5 MEASUREMENT AND PAYMENT, after line 9, add the following:

Pay Item	Pay Unit
Coir Fiber Wattle	Linear Foot
Coir Fiber Wattle Barrier	Linear Foot

PERMANENT SEEDING AND MULCHING:

(7-1-95)(Rev. 1-16-24)

1660

SP16 R02

The Department desires that permanent seeding and mulching be established on this project as soon as practical after slopes or portions of slopes have been graded. As an incentive to obtain an early stand of vegetation on this project, the Contractor's attention is called to the following:

For all permanent seeding and mulching that is satisfactorily completed in accordance with the requirements of Section 1660 in the *Standard Specifications* and within the following percentages of elapsed contract times, an additional payment will be made to the Contractor as an incentive additive. The incentive additive will be determined by multiplying the number of acres of seeding and mulching satisfactorily completed times the contract unit bid price per acre for Seeding and Mulching times the appropriate percentage additive.

Percentage of Elapsed Contract Time	Percentage Additive
0% - 30%	30%
30.01% - 50%	15%

Percentage of elapsed contract time is defined as the number of calendar days from the date of availability of the contract to the date the permanent seeding and mulching is acceptably completed divided by the total original contract time.

STANDARD SPECIAL PROVISION
AVAILABILITY OF FUNDS – TERMINATION OF CONTRACTS

(5-20-08)(Rev. 1-16-24)

Z-2

General Statute 143C-6-11. (h) Highway Appropriation is hereby incorporated verbatim in this contract as follows:

(h) Amounts Encumbered. – Transportation project appropriations may be encumbered in the amount of allotments made to the Department of Transportation by the Director for the estimated payments for transportation project contract work to be performed in the appropriation fiscal year. The allotments shall be multiyear allotments and shall be based on estimated revenues and shall be subject to the maximum contract authority contained in *General Statute 143C-6-11(c)*. Payment for transportation project work performed pursuant to contract in any fiscal year other than the current fiscal year is subject to appropriations by the General Assembly. Transportation project contracts shall contain a schedule of estimated completion progress, and any acceleration of this progress shall be subject to the approval of the Department of Transportation provided funds are available. The State reserves the right to terminate or suspend any transportation project contract, and any transportation project contract shall be so terminated or suspended if funds will not be available for payment of the work to be performed during that fiscal year pursuant to the contract. In the event of termination of any contract, the contractor shall be given a written notice of termination at least 60 days before completion of scheduled work for which funds are available. In the event of termination, the contractor shall be paid for the work already performed in accordance with the contract specifications.

Payment will be made on any contract terminated pursuant to the special provision in accordance with Subarticle 108-13(D) of the *Standard Specifications*.

STANDARD SPECIAL PROVISION
NCDOT GENERAL SEED SPECIFICATION FOR SEED QUALITY

(5-17-11)

Z-3

Seed shall be sampled and tested by the North Carolina Department of Agriculture and Consumer Services, Seed Testing Laboratory. When said samples are collected, the vendor shall supply an independent laboratory report for each lot to be tested. Results from seed so sampled shall be final. Seed not meeting the specifications shall be rejected by the Department of Transportation and shall not be delivered to North Carolina Department of Transportation warehouses. If seed has been delivered it shall be available for pickup and replacement at the supplier's expense.

Any re-labeling required by the North Carolina Department of Agriculture and Consumer Services, Seed Testing Laboratory, that would cause the label to reflect as otherwise specified herein shall be rejected by the North Carolina Department of Transportation.

Seed shall be free from seeds of the noxious weeds Johnsongrass, Balloonvine, Jimsonweed, Witchweed, Itchgrass, Serrated Tussock, Showy Crotalaria, Smooth Crotalaria, Sicklepod, Sandbur, Wild Onion, and Wild Garlic. Seed shall not be labeled with the above weed species on the seed analysis label. Tolerances as applied by the Association of Official Seed Analysts will NOT be allowed for the above noxious weeds except for Wild Onion and Wild Garlic.

Tolerances established by the Association of Official Seed Analysts will generally be recognized. However, for the purpose of figuring pure live seed, the found pure seed and found germination percentages as reported by the North Carolina Department of Agriculture and Consumer Services, Seed Testing Laboratory will be used. Allowances, as established by the NCDOT, will be recognized for minimum pure live seed as listed on the following pages.

The specifications for restricted noxious weed seed refers to the number per pound as follows:

<u>Restricted Noxious Weed</u>	<u>Limitations per Lb. Of Seed</u>	<u>Restricted Noxious Weed</u>	<u>Limitations per Lb. of Seed</u>
Blessed Thistle	4 seeds	Cornflower (Ragged Robin)	27 seeds
Cocklebur	4 seeds	Texas Panicum	27 seeds
Spurred Anoda	4 seeds	Bracted Plantain	54 seeds
Velvetleaf	4 seeds	Buckhorn Plantain	54 seeds
Morning-glory	8 seeds	Broadleaf Dock	54 seeds
Corn Cockle	10 seeds	Curly Dock	54 seeds
Wild Radish	12 seeds	Dodder	54 seeds
Purple Nutsedge	27 seeds	Giant Foxtail	54 seeds
Yellow Nutsedge	27 seeds	Horsenettle	54 seeds
Canada Thistle	27 seeds	Quackgrass	54 seeds
Field Bindweed	27 seeds	Wild Mustard	54 seeds
Hedge Bindweed	27 seeds		

Seed of Pensacola Bahiagrass shall not contain more than 7% inert matter, Kentucky Bluegrass, Centipede and Fine or Hard Fescue shall not contain more than 5% inert matter whereas a maximum of 2% inert matter will be allowed on all other kinds of seed. In addition, all seed

shall not contain more than 2% other crop seed nor more than 1% total weed seed. The germination rate as tested by the North Carolina Department of Agriculture shall not fall below 70%, which includes both dormant and hard seed. Seed shall be labeled with not more than 7%, 5% or 2% inert matter (according to above specifications), 2% other crop seed and 1% total weed seed.

Exceptions may be made for minimum pure live seed allowances when cases of seed variety shortages are verified. Pure live seed percentages will be applied in a verified shortage situation. Those purchase orders of deficient seed lots will be credited with the percentage that the seed is deficient.

FURTHER SPECIFICATIONS FOR EACH SEED GROUP ARE GIVEN BELOW:

Minimum 85% pure live seed; maximum 1% total weed seed; maximum 2% total other crop seed; maximum 144 restricted noxious weed seed per pound. Seed less than 83% pure live seed will not be approved.

Sericea Lespedeza
Oats (seeds)

Minimum 80% pure live seed; maximum 1% total weed seed; maximum 2% total other crop; maximum 144 restricted noxious weed seed per pound. Seed less than 78% pure live seed will not be approved.

Tall Fescue (all approved varieties)	Bermudagrass
Kobe Lespedeza	Browntop Millet
Korean Lespedeza	German Millet – Strain R
Weeping Lovegrass	Clover – Red/White/Crimson
Carpetgrass	

Minimum 78% pure live seed; maximum 1% total weed seed; maximum 2% total other crop seed; maximum 144 restricted noxious weed seed per pound. Seed less than 76% pure live seed will not be approved.

Common or Sweet Sundangrass

Minimum 76% pure live seed; maximum 1% total weed seed; maximum 2% total other crop seed; maximum 144 restricted noxious weed seed per pound. Seed less than 74% pure live seed will not be approved.

Rye (grain; all varieties)
Kentucky Bluegrass (all approved varieties)
Hard Fescue (all approved varieties)
Shrub (bicolor) Lespedeza

Minimum 70% pure live seed; maximum 1% total weed seed; maximum 2% total other crop seed; maximum 144 noxious weed seed per pound. Seed less than 70% pure live seed will not be approved.

Centipedegrass	Japanese Millet
Crownvetch	Reed Canary Grass
Pensacola Bahiagrass	Zoysia

Creeping Red Fescue

Minimum 70% pure live seed; maximum 1% total weed seed; maximum 2% total other crop seed; maximum 5% inert matter; maximum 144 restricted noxious weed seed per pound.

Barnyard Grass
Big Bluestem
Little Bluestem
Bristly Locust
Birdsfoot Trefoil
Indiangrass
Orchardgrass
Switchgrass
Yellow Blossom Sweet Clover

STANDARD SPECIAL PROVISION
ERRATA

(1-16-24)

Z-4

Revise the *2024 Standard Specifications* as follows:

Division 3

Page 3-5, Article 305-2 MATERIALS, after line 16, replace " 1032-3(A)(7)" with "1032-3" and add the item "Galvanized Corrugated Steel Pipe" with Section "1032-3".

Page 3-6, Article 310-2 MATERIALS, after line 9, add the item "Galvanized Corrugated Steel Pipe" with Section "1032-3".

Division 9

Page 9-17, Article 904-4 MEASUREMENT AND PAYMENT, prior to line 1, replace " Sign Erection, Relocate Type (Ground Mounted)" with "Sign Erection, Relocate Type ___ (Ground Mounted)".

Division 10

Page 10-51, Article 1024-4 WATER, prior to line 1, delete the "unpopulated blank row" in Table 1024-2 between "Time of set, deviation from control" and "Chloride Ion Content, Max.".

Page 10-170, Subarticle 1081-1(C) Requirements, line 4, replace "maximum" with "minimum".

Division 11

Page 11-15, Article 1160-4 MEASUREMENT AND PAYMENT, line 24, replace "Where barrier units are moved more than one" with "Where barrier units are moved more than once".

Division 15

Page 15-10, Article 1515-4 MEASUREMENT AND PAYMENT, lines 11, replace " All piping" with "All labor, the manhole, other materials, excavation, backfilling, piping".

Division 16

Page 16-14, Article 1633-5 MEASUREMENT AND PAYMENT, line 20-24 and prior to line 25, delete and replace with the following " *Flocculant* will be measured and paid in accordance with Article 1642-5 applied to the temporary rock silt checks."

Page 16-3, Article 1609-2 MATERIALS, after line 26, replace "Type 4" with "Type 4a".

Page 16-25, Article 1644-2 MATERIALS, after line 22, replace "Type 4" with "Type 4a".

STANDARD SPECIAL PROVISION**PLANT AND PEST QUARANTINES****(Imported Fire Ant, Gypsy Moth, Witchweed, Emerald Ash Borer, Guava Root Knot Nematode, And Other Noxious Weeds)**

(3-18-03) (Rev. 5-21-19)

Z-04a

Within Quarantined Area

This project may be within a county regulated for plant and/or pests. If the project or any part of the Contractor's operations is located within a quarantined area, thoroughly clean all equipment prior to moving out of the quarantined area. Comply with federal/state regulations by obtaining a certificate or limited permit for any regulated article moving from the quarantined area.

Originating in a Quarantined County

Obtain a certificate or limited permit issued by the N.C. Department of Agriculture/United States Department of Agriculture. Have the certificate or limited permit accompany the article when it arrives at the project site.

Contact

Contact the N.C. Department of Agriculture/United States Department of Agriculture at 1-800-206-9333, 919-707-3730, or <https://www.ncagr.gov/plantindustry/Plant/quaran/table2.htm> to determine those specific project sites located in the quarantined area or for any regulated article used on this project originating in a quarantined county.

Regulated Articles Include

1. Soil, sand, gravel, compost, peat, humus, muck, and decomposed manure, separately or with other articles. This includes movement of articles listed above that may be associated with cut/waste, ditch pulling, and shoulder cutting.
2. Plants with roots including grass sod.
3. Plant crowns and roots.
4. Bulbs, corms, rhizomes, and tubers of ornamental plants.
5. Hay, straw, fodder, and plant litter of any kind.
6. Clearing and grubbing debris.
7. Used agricultural cultivating and harvesting equipment.
8. Used earth-moving equipment.
9. Any other products, articles, or means of conveyance, of any character, if determined by an inspector to present a hazard of spreading imported fire ant, gypsy moth, witchweed, emerald ash borer, guava root knot nematode, or other noxious weeds.

STANDARD SPECIAL PROVISION**TITLE VI AND NONDISCRIMINATION:**

(6-28-77)(Rev 1/16/2024)

Z-6

The North Carolina Department of Transportation is committed to carrying out the U.S. Department of Transportation's policy of ensuring nondiscrimination in the award and administration of contracts.

The provisions of this section related to United States Department of Transportation (US DOT) Order 1050.2A, Title 49 Code of Federal Regulations (CFR) part 21, 23 United States Code (U.S.C.) 140 and 23 CFR part 200 (or 49 CFR 303, 49 U.S.C. 5332 or 49 U.S.C. 47123) are applicable to all North Carolina Department of Transportation (NCDOT) contracts and to all related subcontracts, material supply, engineering, architectural and other service contracts, regardless of dollar amount. Any Federal provision that is specifically required not specifically set forth is hereby incorporated by reference.

(1) Title VI Assurances (USDOT Order 1050.2A, Appendix A)

During the performance of this contract, the contractor, for itself, its assignees, and successors in interest (hereinafter referred to as the "contractor") agrees as follows:

(a) Compliance with Regulations

The contractor (hereinafter includes consultants) shall comply with the Acts and the Regulations relative to Nondiscrimination in Federally-assisted programs of the U.S. Department of Transportation, Federal Highway Administration (FHWA), as they may be amended from time to time, which are herein incorporated by reference and made a part of this contract.

(b) Nondiscrimination

The contractor, with regard to the work performed by it during the contract, shall not discriminate on the grounds of race, color, or national origin in the selection and retention of subcontractors, including procurements of materials and leases of equipment. The contractor shall not participate directly or indirectly in the discrimination prohibited by the Acts and the Regulations, including employment practices when the contract covers any activity, project, or program set forth in Appendix B of 49 CFR Part 21.

(c) Solicitations for Subcontractors, Including Procurements of Materials and Equipment

In all solicitations, either by competitive bidding, or negotiation made by the contractor for work to be performed under a subcontract, including procurements of materials, or leases of equipment, each potential subcontractor or supplier shall be notified by the contractor of the contractor's obligations under this contract and the Acts and the Regulations relative to Nondiscrimination on the grounds of race, color, or national origin.

(d) Information and Reports

The contractor shall provide all information and reports required by the Acts, the Regulations, and directives issued pursuant thereto and shall permit access to its books, records, accounts, other sources of information, and its facilities as may be

determined by the Recipient or the FHWA to be pertinent to ascertain compliance with such Acts, Regulations, and instructions. Where any information required of a contractor is in the exclusive possession of another who fails or refuses to furnish the information, the contractor shall so certify to the Recipient or the FHWA, as appropriate, and shall set forth what efforts it has made to obtain the information.

(e) Sanctions for Noncompliance:

In the event of a contractor's noncompliance with the Non-discrimination provisions of this contract, the Recipient will impose such contract sanctions as it and/or the FHWA may determine to be appropriate, including, but not limited to:

- (i) Withholding payments to the contractor under the contract until the contractor complies; and/or
- (ii) Cancelling, terminating, or suspending a contract, in whole or in part.

(f) Incorporation of Provisions

The contractor shall include the provisions of paragraphs (a) through (f) in every subcontract, including procurements of materials and leases of equipment, unless exempt by the Acts, the Regulations and directives issued pursuant thereto. The contractor shall take action with respect to any subcontract or procurement as the Recipient or the FHWA may direct as a means of enforcing such provisions including sanctions for noncompliance. Provided, that if the contractor becomes involved in, or is threatened with litigation by a subcontractor, or supplier because of such direction, the contractor may request the Recipient to enter into any litigation to protect the interests of the Recipient. In addition, the contractor may request the United States to enter into the litigation to protect the interests of the United States.

(2) Title VI Nondiscrimination Program (23 CFR 200.5(p))

The North Carolina Department of Transportation (NCDOT) has assured the USDOT that, as a condition to receiving federal financial assistance, NCDOT will comply with Title VI of the Civil Rights Act of 1964 and all requirements imposed by Title 49 CFR part 21 and related nondiscrimination authorities to ensure that no person shall, on the ground of race, color, national origin, limited English proficiency, sex, age, or disability (including religion/creed or income-level, where applicable), be excluded from participation in, be denied the benefits of, or be subjected to discrimination under any programs, activities, or services conducted or funded by NCDOT. Contractors and other organizations under contract or agreement with NCDOT must also comply with Title VI and related authorities, therefore:

- (a) During the performance of this contract or agreement, contractors (e.g., subcontractors, consultants, vendors, prime contractors) are responsible for complying with NCDOT's Title VI Program. Contractors are not required to prepare or submit Title VI Programs. To comply with this section, the prime contractor shall:
 1. Post NCDOT's Notice of Nondiscrimination and the Contractor's own Equal Employment Opportunity (EEO) Policy in conspicuous locations accessible to all employees, applicants and subcontractors on the jobsite.

2. Physically incorporate the required Title VI clauses into all subcontracts on federally-assisted and state-funded NCDOT projects, and ensure inclusion by subcontractors into all lower-tier subcontracts.
 3. Required Solicitation Language. The Contractor shall include the following notification in all solicitations for bids and requests for work or material, regardless of funding source:

“The North Carolina Department of Transportation, in accordance with the provisions of Title VI of the Civil Rights Act of 1964 (78 Stat. 252, 42 U.S.C. §§ 2000d to 2000d-4) and the Regulations, hereby notifies all bidders that it will affirmatively ensure that any contract entered into pursuant to this advertisement, disadvantaged business enterprises will be afforded full and fair opportunity to submit bids in response to this invitation and will not be discriminated against on the grounds of race, color, or national origin in consideration for an award. In accordance with other related nondiscrimination authorities, bidders and contractors will also not be discriminated against on the grounds of sex, age, disability, low-income level, creed/religion, or limited English proficiency in consideration for an award.”
 4. Physically incorporate the FHWA-1273, in its entirety, into all subcontracts and subsequent lower tier subcontracts on Federal-aid highway construction contracts only.
 5. Provide language assistance services (i.e., written translation and oral interpretation), free of charge, to LEP employees and applicants. Contact NCDOT OCR for further assistance, if needed.
 6. For assistance with these Title VI requirements, contact the NCDOT Title VI Nondiscrimination Program at 1-800-522-0453.
- (b) Subrecipients (e.g. cities, counties, LGAs, planning organizations) may be required to prepare and submit a Title VI Plan to NCDOT, including Title VI Assurances and/or agreements. Subrecipients must also ensure compliance by their contractors and subrecipients with Title VI. (23 CFR 200.9(b)(7))
- (c) If reviewed or investigated by NCDOT, the contractor or subrecipient agrees to take affirmative action to correct any deficiencies found within a reasonable time period, not to exceed 90 calendar days, unless additional time is granted by NCDOT. (23 CFR 200.9(b)(15))
- (d) The Contractor is responsible for notifying subcontractors of NCDOT’s External Discrimination Complaints Process.
1. Applicability

Title VI and related laws protect participants and beneficiaries (e.g., members of the public and contractors) from discrimination by NCDOT employees, subrecipients and contractors, regardless of funding source.

2. Eligibility

Any person—or class of persons—who believes he/she has been subjected to discrimination based on race, color, national origin, Limited English Proficiency (LEP), sex, age, or disability (and religion in the context of employment, aviation, or transit) may file a written complaint. The law also prohibits intimidation or retaliation of any sort.

3. Time Limits and Filing Options

Complaints may be filed by the affected individual(s) or a representative and must be filed no later than 180 calendar days after the following:

- (i) The date of the alleged act of discrimination; or
- (ii) The date when the person(s) became aware of the alleged discrimination; or
- (iii) Where there has been a continuing course of conduct, the date on which that conduct was discontinued or the latest instance of the conduct.

Title VI and related discrimination complaints may be submitted to the following entities:

- North Carolina Department of Transportation, Office of Civil Rights, Title VI Program, 1511 Mail Service Center, Raleigh, NC 27699-1511; toll free 1-800-522-0453
- Federal Highway Administration, North Carolina Division Office, 310 New Bern Avenue, Suite 410, Raleigh, NC 27601, 919-747-7010
- US Department of Transportation, Departmental Office of Civil Rights, External Civil Rights Programs Division, 1200 New Jersey Avenue, SE, Washington, DC 20590; 202-366-4070

4. Format for Complaints

Complaints must be in writing and signed by the complainant(s) or a representative, and include the complainant's name, address, and telephone number. Complaints received by fax or e-mail will be acknowledged and processed. Allegations received by telephone will be reduced to writing and provided to the complainant for confirmation or revision before processing. Complaints will be accepted in other languages, including Braille.

5. Discrimination Complaint Form

Contact NCDOT Civil Rights to receive a full copy of the Discrimination Complaint Form and procedures.

6. Complaint Basis

Allegations must be based on issues involving race, color, national origin (LEP), sex, age, disability, or religion (in the context of employment, aviation or transit). "Basis" refers to the complainant's membership in a protected group category.

**TABLE 103-1
COMPLAINT BASIS**

Protected Categories	Definition	Examples	Applicable Nondiscrimination Authorities
Race and Ethnicity	An individual belonging to one of the accepted racial groups; or the perception, based usually on physical characteristics that a person is a member of a racial group	Black/African American, Hispanic/Latino, Asian, American Indian/Alaska Native, Native Hawaiian/Pacific Islander, White	Title VI of the Civil Rights Act of 1964; 49 CFR Part 21; 23 CFR 200; 49 U.S.C. 5332(b); 49 U.S.C. 47123. (<i>Executive Order 13166</i>)
Color	Color of skin, including shade of skin within a racial group	Black, White, brown, yellow, etc.	
National Origin (<i>Limited English Proficiency</i>)	Place of birth. Citizenship is not a factor. (<i>Discrimination based on language or a person's accent is also covered</i>)	Mexican, Cuban, Japanese, Vietnamese, Chinese	
Sex	Gender. The sex of an individual. <i>Note: Sex under this program does not include sexual orientation.</i>	Women and Men	1973 Federal-Aid Highway Act; 49 U.S.C. 5332(b); 49 U.S.C. 47123.
Age	Persons of any age	21-year-old person	Age Discrimination Act of 1975 49 U.S.C. 5332(b); 49 U.S.C. 47123.
Disability	Physical or mental impairment, permanent or temporary, or perceived.	Blind, alcoholic, para-amputee, epileptic, diabetic, arthritic	Section 504 of the Rehabilitation Act of 1973; Americans with Disabilities Act of 1990
Religion (in the context of employment) (<i>Religion/ Creed in all aspects of any aviation or transit-related construction</i>)	An individual belonging to a religious group; or the perception, based on distinguishable characteristics that a person is a member of a religious group. In practice, actions taken as a result of the moral and ethical beliefs as to what is right and wrong, which are sincerely held with the strength of traditional religious views. <i>Note: Does not have to be associated with a recognized religious group or church; if an individual sincerely holds to the belief, it is a protected religious practice.</i>	Muslim, Christian, Sikh, Hindu, etc.	Title VII of the Civil Rights Act of 1964; 23 CFR 230; FHWA-1273 Required Contract Provisions. (<i>49 U.S.C. 5332(b)</i>); <i>49 U.S.C. 47123</i>)

(3) Pertinent Nondiscrimination Authorities

During the performance of this contract, the contractor, for itself, its assignees, and successors in interest agrees to comply with the following non-discrimination statutes and authorities, including, but not limited to:

- (a) Title VI of the Civil Rights Act of 1964 (42 U.S.C. § 2000d et seq., 78 stat. 252), (prohibits discrimination on the basis of race, color, national origin); and 49 CFR Part 21.

- (b) The Uniform Relocation Assistance and Real Property Acquisition Policies Act of 1970, (42 U.S.C. § 4601), (prohibits unfair treatment of persons displaced or whose property has been acquired because of Federal or Federal-aid programs and projects);
- (c) Federal-Aid Highway Act of 1973, (23 U.S.C. § 324 et seq.), (prohibits discrimination on the basis of sex);
- (d) Section 504 of the Rehabilitation Act of 1973, (29 U.S.C. § 794 et seq.), as amended, (prohibits discrimination on the basis of disability) and 49 CFR Part 27;
- (e) The Age Discrimination Act of 1975, as amended, (42 U.S.C. § 6101 et seq.), (prohibits discrimination on the basis of age);
- (f) Airport and Airway Improvement Act of 1982, (49 USC § 471, Section 47123), as amended, (prohibits discrimination based on race, creed, color, national origin, or sex);
- (g) The Civil Rights Restoration Act of 1987, (PL 100-209), (Broadened the scope, coverage and applicability of Title VI of the Civil Rights Act of 1964, The Age Discrimination Act of 1975 and Section 504 of the Rehabilitation Act of 1973, by expanding the definition of the terms "programs or activities" to include all of the programs or activities of the Federal-aid recipients, sub-recipients and contractors, whether such programs or activities are Federally funded or not);
- (h) Titles II and III of the Americans with Disabilities Act, which prohibit discrimination on the basis of disability in the operation of public entities, public and private transportation systems, places of public accommodation, and certain testing entities (42 U.S.C. §§ 12131-12189) as implemented by Department of Transportation regulations at 49 C.F.R. parts 37 and 38;
- (i) The Federal Aviation Administration's Nondiscrimination statute (49 U.S.C. § 47123) (prohibits discrimination on the basis of race, color, national origin, and sex);
- (j) Executive Order 12898, Federal Actions to Address Environmental Justice in Minority Populations and Low-Income Populations, which ensures Nondiscrimination against minority populations by discouraging programs, policies, and activities with disproportionately high and adverse human health or environmental effects on minority and low-income populations;
- (k) Executive Order 13166, Improving Access to Services for Persons with Limited English Proficiency, and resulting agency guidance, national origin discrimination includes discrimination because of Limited English proficiency (LEP). To ensure compliance with Title VI, you must take reasonable steps to ensure that LEP persons have meaningful access to your programs (70 Fed. Reg. at 74087 to 74100);
- (l) Title IX of the Education Amendments of 1972, as amended, which prohibits you from discriminating because of sex in education programs or activities (20 U.S.C. 1681 et seq).
- (m) Title VII of the Civil Rights Act of 1964 (42 U.S.C. § 2000e et seq., Pub. L. 88-352), (prohibits employment discrimination on the basis of race, color, religion, sex, or national origin).

(4) Additional Title VI Assurances

***The following Title VI Assurances (Appendices B, C and D) shall apply, as applicable*

- (a) Clauses for Deeds Transferring United States Property (1050.2A, Appendix B)

The following clauses will be included in deeds effecting or recording the transfer of real property, structures, or improvements thereon, or granting interest therein from the United States pursuant to the provisions of Assurance 4.

NOW, THEREFORE, the U.S. Department of Transportation as authorized by law and upon the condition that the North Carolina Department of Transportation (NCDOT) will accept title to the lands and maintain the project constructed thereon in accordance with the North Carolina General Assembly, the Regulations for the Administration of the Federal-Aid Highway Program, and the policies and procedures prescribed by the Federal Highway Administration of the U.S. Department of Transportation in accordance and in compliance with all requirements imposed by Title 49, Code of Federal Regulations, U.S. Department of Transportation, Subtitle A, Office of the Secretary, Part 21, Nondiscrimination in Federally-assisted programs of the U.S. Department of Transportation pertaining to and effectuating the provisions of Title VI of the Civil Rights Act of 1964 (78 Stat. 252; 42 U.S.C. § 2000d to 2000d-4), does hereby remise, release, quitclaim and convey unto the NCDOT all the right, title and interest of the U.S. Department of Transportation in and to said lands described in Exhibit A attached hereto and made a part hereof.

(HABENDUM CLAUSE)

TO HAVE AND TO HOLD said lands and interests therein unto the North Carolina Department of Transportation (NCDOT) and its successors forever, subject, however, to the covenants, conditions, restrictions and reservations herein contained as follows, which will remain in effect for the period during which the real property or structures are used for a purpose for which Federal financial assistance is extended or for another purpose involving the provision of similar services or benefits and will be binding on the NCDOT, its successors and assigns.

The NCDOT, in consideration of the conveyance of said lands and interests in lands, does hereby covenant and agree as a covenant running with the land for itself, its successors and assigns, that (1) no person will on the grounds of race, color, or national origin, be excluded from participation in, be denied the benefits of, or be otherwise subjected to discrimination with regard to any facility located wholly or in part on, over, or under such lands hereby conveyed [,] [and]* (2) that the NCDOT will use the lands and interests in lands and interests in lands so conveyed, in compliance with all requirements imposed by or pursuant to Title 49, Code of Federal Regulations, U.S. Department of Transportation, Subtitle A, Office of the Secretary, Part 21, Non-discrimination in Federally-assisted programs of the U.S. Department of Transportation, Effectuation of Title VI of the Civil Rights Act of 1964, and as said Regulations and Acts may be amended [, and (3) that in the event of breach of any of the above-mentioned nondiscrimination conditions, the Department will have a right to enter or re-enter said lands and facilities on said land, and that above described land and facilities will thereon revert to and vest in and become the absolute property of the U.S. Department of Transportation and its assigns as such interest existed prior to this instruction].*

(*Reverter clause and related language to be used only when it is determined that such a clause is necessary in order to make clear the purpose of Title VI.)

(b) Clauses for Transfer of Real Property Acquired or Improved Under the Activity, Facility, or Program (1050.2A, Appendix C)

The following clauses will be included in deeds, licenses, leases, permits, or similar instruments entered into by the North Carolina Department of Transportation (NCDOT) pursuant to the provisions of Assurance 7(a):

1. The (grantee, lessee, permittee, etc. as appropriate) for himself/herself, his/her heirs, personal representatives, successors in interest, and assigns, as a part of the consideration hereof, does hereby covenant and agree [in the case of deeds and leases add "as a covenant running with the land"] that:
 - (i.) In the event facilities are constructed, maintained, or otherwise operated on the property described in this (deed, license, lease, permit, etc.) for a purpose for which a U.S. Department of Transportation activity, facility, or program is extended or for another purpose involving the provision of similar services or benefits, the (grantee, licensee, lessee, permittee, etc.) will maintain and operate such facilities and services in compliance with all requirements imposed by the Acts and Regulations (as may be amended) such that no person on the grounds of race, color, or national origin, will be excluded from participation in, denied the benefits of, or be otherwise subjected to discrimination in the use of said facilities.
2. With respect to licenses, leases, permits, etc., in the event of breach of any of the above Nondiscrimination covenants, the NCDOT will have the right to terminate the (lease, license, permit, etc.) and to enter, re-enter, and repossess said lands and facilities thereon, and hold the same as if the (lease, license, permit, etc.) had never been made or issued. *
3. With respect to a deed, in the event of breach of any of the above Nondiscrimination covenants, the NCDOT will have the right to enter or re-enter the lands and facilities thereon, and the above described lands and facilities will there upon revert to and vest in and become the absolute property of the NCDOT and its assigns. *

(*Reverter clause and related language to be used only when it is determined that such a clause is necessary to make clear the purpose of Title VI.)

(c) Clauses for Construction/Use/Access to Real Property Acquired Under the Activity, Facility or Program (1050.2A, Appendix D)

The following clauses will be included in deeds, licenses, permits, or similar instruments/ agreements entered into by the North Carolina Department of Transportation (NCDOT) pursuant to the provisions of Assurance 7(b):

1. The (grantee, licensee, permittee, etc., as appropriate) for himself/herself, his/her heirs, personal representatives, successors in interest, and assigns, as a part of the consideration hereof, does hereby covenant and agree (in the case of deeds and leases add, "as a covenant running with the land") that (1) no person on the ground of race, color, or national origin, will be excluded from participation in, denied the benefits of, or be otherwise subjected to discrimination in the use of said facilities, (2) that in the construction of any improvements on, over, or under such land, and the furnishing of services thereon, no person on the ground of race, color, or national origin, will be excluded from participation in, denied the benefits of, or otherwise be subjected to discrimination, (3) that the (grantee, licensee, lessee, permittee, etc.) will use the premises in compliance with all other requirements imposed by or pursuant to the Acts and Regulations, as amended, set forth in this Assurance.
2. With respect to (licenses, leases, permits, etc.), in the event of breach of any of the above Non-discrimination covenants, the NCDOT will have the right to terminate the (license, permit, etc., as appropriate) and to enter or re-enter and repossess said land and the facilities thereon, and hold the same as if said (license, permit, etc., as appropriate) had never been made or issued. *
3. With respect to deeds, in the event of breach of any of the above Nondiscrimination covenants, the NCDOT will there upon revert to and vest in and become the absolute property of the NCDOT and its assigns. *

(*Reverter clause and related language to be used only when it is determined that such a clause is necessary to make clear the purpose of Title VI.)

STANDARD SPECIAL PROVISION**MINORITY AND FEMALE EMPLOYMENT REQUIREMENTS**

Z-7

NOTICE OF REQUIREMENTS FOR AFFIRMATIVE ACTION TO ENSURE EQUAL EMPLOYMENT OPPORTUNITY (*EXECUTIVE NUMBER 11246*)

1. The goals and timetables for minority and female participation, expressed in percentage terms for the Contractor's aggregate workforce in each trade on all construction work in the covered area, see as shown on the attached sheet entitled "Employment Goals for Minority and Female participation".

These goals are applicable to all the Contractor's construction work (whether or not it is Federal or federally assisted) performed in the covered area. If the Contractor performs construction work in a geographical area located outside of the covered area, it shall apply the goals established for such geographical area where the work is actually performed. With regard to this second area, the Contractor also is subject to the goals for both its federally involved and nonfederally involved construction.

The Contractor's compliance with the Executive Order and the regulations in *41 CFR Part 60-4* shall be based on its implementation of the Equal Opportunity Clause, specific affirmative action obligations required by the specifications set forth in *41 CFR 60-4.3(a)*, and its effort to meet the goals. The hours of minority and female employment and training must be substantially uniform throughout the length of the contract, and in each trade and the Contractor shall make a good faith effort to employ minorities and women evenly on each of its projects. The transfer of minority or female employees or trainees from Contractor to Contractor or from project to project for the sole purpose of meeting the Contractor's goals shall be a violation of the contract, the executive Order and the regulations in *41 CFR Part 60-4*. Compliance with the goals will be measured against the total work hours performed.

2. As used in this Notice and in the contract resulting from this solicitation, the "covered area" is the county or counties shown on the cover sheet of the proposal form and contract.

**EMPLOYMENT GOALS FOR MINORITY
AND FEMALE PARTICIPATION**

Economic Areas

Area 023 29.7%

Bertie County
Camden County
Chowan County
Gates County
Hertford County
Pasquotank County
Perquimans County

Area 024 31.7%

Beaufort County
Carteret County
Craven County
Dare County
Edgecombe County
Green County
Halifax County
Hyde County
Jones County
Lenoir County
Martin County
Nash County
Northampton County
Pamlico County
Pitt County
Tyrrell County
Washington County
Wayne County
Wilson County

Area 025 23.5%

Columbus County
Duplin County
Onslow County
Pender County

Area 026 33.5%

Bladen County
Hoke County
Richmond County
Robeson County
Sampson County
Scotland County

Area 027 24.7%

Chatham County
Franklin County
Granville County
Harnett County
Johnston County
Lee County
Person County
Vance County
Warren County

Area 028 15.5%

Alleghany County
Ashe County
Caswell County
Davie County
Montgomery County
Moore County
Rockingham County
Surry County
Watauga County
Wilkes County

Area 029 15.7%

Alexander County
Anson County
Burke County
Cabarrus County
Caldwell County
Catawba County
Cleveland County
Iredell County
Lincoln County
Polk County
Rowan County
Rutherford County
Stanly County

Area 0480 8.5%

Buncombe County
Madison County

Area 030 6.3%

Avery County
Cherokee County
Clay County
Graham County
Haywood County
Henderson County
Jackson County
McDowell County
Macon County
Mitchell County
Swain County
Transylvania County
Yancey County

SMSA Areas

Area 5720 26.6%

Currituck County

Area 9200 20.7%

Brunswick County

New Hanover County

Area 2560 24.2%

Cumberland County

Area 6640 22.8%

Durham County

Orange County

Wake County

Area 1300 16.2%

Alamance County

Area 3120 16.4%

Davidson County

Forsyth County

Guilford County

Randolph County

Stokes County

Yadkin County

Area 1520 18.3%

Gaston County

Mecklenburg County

Union County

Goals for Female

Participation in Each Trade

(Statewide) 6.9%

FHWA-1273 -- Revised October 23, 2023

REQUIRED CONTRACT PROVISIONS FEDERAL-AID CONSTRUCTION CONTRACTS

- I. General
- II. Nondiscrimination
- III. Non-segregated Facilities
- IV. Davis-Bacon and Related Act Provisions
- V. Contract Work Hours and Safety Standards Act Provisions
- VI. Subletting or Assigning the Contract
- VII. Safety: Accident Prevention
- VIII. False Statements Concerning Highway Projects
- IX. Implementation of Clean Air Act and Federal Water Pollution Control Act
- X. Certification Regarding Debarment, Suspension, Ineligibility and Voluntary Exclusion
- XI. Certification Regarding Use of Contract Funds for Lobbying
- XII. Use of United States-Flag Vessels:

ATTACHMENTS

A. Employment and Materials Preference for Appalachian Development Highway System or Appalachian Local Access Road Contracts (included in Appalachian contracts only)

I. GENERAL

1. Form FHWA-1273 must be physically incorporated in each construction contract funded under title 23, United States Code, as required in 23 CFR 633.102(b) (excluding emergency contracts solely intended for debris removal). The contractor (or subcontractor) must insert this form in each subcontract and further require its inclusion in all lower tier subcontracts (excluding purchase orders, rental agreements and other agreements for supplies or services). 23 CFR 633.102(e).

The applicable requirements of Form FHWA-1273 are incorporated by reference for work done under any purchase order, rental agreement or agreement for other services. The prime contractor shall be responsible for compliance by any subcontractor, lower-tier subcontractor or service provider. 23 CFR 633.102(e).

Form FHWA-1273 must be included in all Federal-aid design-build contracts, in all subcontracts and in lower tier subcontracts (excluding subcontracts for design services, purchase orders, rental agreements and other agreements for supplies or services) in accordance with 23 CFR 633.102. The design-builder shall be responsible for compliance by any subcontractor, lower-tier subcontractor or service provider.

Contracting agencies may reference Form FHWA-1273 in solicitation-for-bids or request-for-proposals documents, however, the Form FHWA-1273 must be physically incorporated (not referenced) in all contracts, subcontracts and lower-tier subcontracts (excluding purchase orders, rental agreements and other agreements for supplies or services related to a construction contract). 23 CFR 633.102(b).

2. Subject to the applicability criteria noted in the following sections, these contract provisions shall apply to all work

performed on the contract by the contractor's own organization and with the assistance of workers under the contractor's immediate superintendence and to all work performed on the contract by piecework, station work, or by subcontract. 23 CFR 633.102(d).

3. A breach of any of the stipulations contained in these Required Contract Provisions may be sufficient grounds for withholding of progress payments, withholding of final payment, termination of the contract, suspension / debarment or any other action determined to be appropriate by the contracting agency and FHWA.

4. Selection of Labor: During the performance of this contract, the contractor shall not use convict labor for any purpose within the limits of a construction project on a Federal-aid highway unless it is labor performed by convicts who are on parole, supervised release, or probation. 23 U.S.C. 114(b). The term Federal-aid highway does not include roadways functionally classified as local roads or rural minor collectors. 23 U.S.C. 101(a).

II. NONDISCRIMINATION (23 CFR 230.107(a); 23 CFR Part 230, Subpart A, Appendix A; EO 11246)

The provisions of this section related to 23 CFR Part 230, Subpart A, Appendix A are applicable to all Federal-aid construction contracts and to all related construction subcontracts of \$10,000 or more. The provisions of 23 CFR Part 230 are not applicable to material supply, engineering, or architectural service contracts.

In addition, the contractor and all subcontractors must comply with the following policies: Executive Order 11246, 41 CFR Part 60, 29 CFR Parts 1625-1627, 23 U.S.C. 140, Section 504 of the Rehabilitation Act of 1973, as amended (29 U.S.C. 794), Title VI of the Civil Rights Act of 1964, as amended (42 U.S.C. 2000d et seq.), and related regulations including 49 CFR Parts 21, 26, and 27; and 23 CFR Parts 200, 230, and 633.

The contractor and all subcontractors must comply with: the requirements of the Equal Opportunity Clause in 41 CFR 60-1.4(b) and, for all construction contracts exceeding \$10,000, the Standard Federal Equal Employment Opportunity Construction Contract Specifications in 41 CFR 60-4.3.

Note: The U.S. Department of Labor has exclusive authority to determine compliance with Executive Order 11246 and the policies of the Secretary of Labor including 41 CFR Part 60, and 29 CFR Parts 1625-1627. The contracting agency and the FHWA have the authority and the responsibility to ensure compliance with 23 U.S.C. 140, Section 504 of the Rehabilitation Act of 1973, as amended (29 U.S.C. 794), and Title VI of the Civil Rights Act of 1964, as amended (42 U.S.C. 2000d et seq.), and related regulations including 49 CFR Parts 21, 26, and 27; and 23 CFR Parts 200, 230, and 633.

The following provision is adopted from 23 CFR Part 230, Subpart A, Appendix A, with appropriate revisions to conform to the U.S. Department of Labor (US DOL) and FHWA requirements.

1. Equal Employment Opportunity: Equal Employment Opportunity (EEO) requirements not to discriminate and to take affirmative action to assure equal opportunity as set forth under laws, executive orders, rules, regulations (see 28 CFR Part 35, 29 CFR Part 1630, 29 CFR Parts 1625-1627, 41 CFR Part 60 and 49 CFR Part 27) and orders of the Secretary of Labor as modified by the provisions prescribed herein, and imposed pursuant to 23 U.S.C. 140, shall constitute the EEO and specific affirmative action standards for the contractor's project activities under this contract. The provisions of the Americans with Disabilities Act of 1990 (42 U.S.C. 12101 et seq.) set forth under 28 CFR Part 35 and 29 CFR Part 1630 are incorporated by reference in this contract. In the execution of this contract, the contractor agrees to comply with the following minimum specific requirement activities of EEO:

a. The contractor will work with the contracting agency and the Federal Government to ensure that it has made every good faith effort to provide equal opportunity with respect to all of its terms and conditions of employment and in their review of activities under the contract. 23 CFR 230.409 (g)(4) & (5).

b. The contractor will accept as its operating policy the following statement:

"It is the policy of this Company to assure that applicants are employed, and that employees are treated during employment, without regard to their race, religion, sex, sexual orientation, gender identity, color, national origin, age or disability. Such action shall include: employment, upgrading, demotion, or transfer; recruitment or recruitment advertising; layoff or termination; rates of pay or other forms of compensation; and selection for training, including apprenticeship, pre-apprenticeship, and/or on-the-job training."

2. EEO Officer: The contractor will designate and make known to the contracting officers an EEO Officer who will have the responsibility for and must be capable of effectively administering and promoting an active EEO program and who must be assigned adequate authority and responsibility to do so.

3. Dissemination of Policy: All members of the contractor's staff who are authorized to hire, supervise, promote, and discharge employees, or who recommend such action or are substantially involved in such action, will be made fully cognizant of and will implement the contractor's EEO policy and contractual responsibilities to provide EEO in each grade and classification of employment. To ensure that the above agreement will be met, the following actions will be taken as a minimum:

a. Periodic meetings of supervisory and personnel office employees will be conducted before the start of work and then not less often than once every six months, at which time the contractor's EEO policy and its implementation will be reviewed and explained. The meetings will be conducted by the EEO Officer or other knowledgeable company official.

b. All new supervisory or personnel office employees will be given a thorough indoctrination by the EEO Officer, covering all major aspects of the contractor's EEO obligations within thirty days following their reporting for duty with the contractor.

c. All personnel who are engaged in direct recruitment for the project will be instructed by the EEO Officer in the contractor's procedures for locating and hiring minorities and women.

d. Notices and posters setting forth the contractor's EEO policy will be placed in areas readily accessible to employees, applicants for employment and potential employees.

e. The contractor's EEO policy and the procedures to implement such policy will be brought to the attention of employees by means of meetings, employee handbooks, or other appropriate means.

4. Recruitment: When advertising for employees, the contractor will include in all advertisements for employees the notation: "An Equal Opportunity Employer." All such advertisements will be placed in publications having a large circulation among minorities and women in the area from which the project work force would normally be derived.

a. The contractor will, unless precluded by a valid bargaining agreement, conduct systematic and direct recruitment through public and private employee referral sources likely to yield qualified minorities and women. To meet this requirement, the contractor will identify sources of potential minority group employees and establish with such identified sources procedures whereby minority and women applicants may be referred to the contractor for employment consideration.

b. In the event the contractor has a valid bargaining agreement providing for exclusive hiring hall referrals, the contractor is expected to observe the provisions of that agreement to the extent that the system meets the contractor's compliance with EEO contract provisions. Where implementation of such an agreement has the effect of discriminating against minorities or women, or obligates the contractor to do the same, such implementation violates Federal nondiscrimination provisions.

c. The contractor will encourage its present employees to refer minorities and women as applicants for employment. Information and procedures with regard to referring such applicants will be discussed with employees.

5. Personnel Actions: Wages, working conditions, and employee benefits shall be established and administered, and personnel actions of every type, including hiring, upgrading, promotion, transfer, demotion, layoff, and termination, shall be taken without regard to race, color, religion, sex, sexual orientation, gender identity, national origin, age or disability. The following procedures shall be followed:

a. The contractor will conduct periodic inspections of project sites to ensure that working conditions and employee facilities do not indicate discriminatory treatment of project site personnel.

b. The contractor will periodically evaluate the spread of wages paid within each classification to determine any evidence of discriminatory wage practices.

c. The contractor will periodically review selected personnel actions in depth to determine whether there is evidence of discrimination. Where evidence is found, the contractor will promptly take corrective action. If the review indicates that the discrimination may extend beyond the actions reviewed, such corrective action shall include all affected persons.

d. The contractor will promptly investigate all complaints of alleged discrimination made to the contractor in connection with its obligations under this contract, will attempt to resolve such complaints, and will take appropriate corrective action

within a reasonable time. If the investigation indicates that the discrimination may affect persons other than the complainant, such corrective action shall include such other persons. Upon completion of each investigation, the contractor will inform every complainant of all of their avenues of appeal.

6. Training and Promotion:

a. The contractor will assist in locating, qualifying, and increasing the skills of minorities and women who are applicants for employment or current employees. Such efforts should be aimed at developing full journey level status employees in the type of trade or job classification involved.

b. Consistent with the contractor's work force requirements and as permissible under Federal and State regulations, the contractor shall make full use of training programs (i.e., apprenticeship and on-the-job training programs for the geographical area of contract performance). In the event a special provision for training is provided under this contract, this subparagraph will be superseded as indicated in the special provision. The contracting agency may reserve training positions for persons who receive welfare assistance in accordance with 23 U.S.C. 140(a).

c. The contractor will advise employees and applicants for employment of available training programs and entrance requirements for each.

d. The contractor will periodically review the training and promotion potential of employees who are minorities and women and will encourage eligible employees to apply for such training and promotion.

7. Unions: If the contractor relies in whole or in part upon unions as a source of employees, the contractor will use good faith efforts to obtain the cooperation of such unions to increase opportunities for minorities and women. 23 CFR 230.409. Actions by the contractor, either directly or through a contractor's association acting as agent, will include the procedures set forth below:

a. The contractor will use good faith efforts to develop, in cooperation with the unions, joint training programs aimed toward qualifying more minorities and women for membership in the unions and increasing the skills of minorities and women so that they may qualify for higher paying employment.

b. The contractor will use good faith efforts to incorporate an EEO clause into each union agreement to the end that such union will be contractually bound to refer applicants without regard to their race, color, religion, sex, sexual orientation, gender identity, national origin, age, or disability.

c. The contractor is to obtain information as to the referral practices and policies of the labor union except that to the extent such information is within the exclusive possession of the labor union and such labor union refuses to furnish such information to the contractor, the contractor shall so certify to the contracting agency and shall set forth what efforts have been made to obtain such information.

d. In the event the union is unable to provide the contractor with a reasonable flow of referrals within the time limit set forth in the collective bargaining agreement, the contractor will, through independent recruitment efforts, fill the employment vacancies without regard to race, color, religion, sex, sexual orientation, gender identity, national origin, age, or disability; making full efforts to obtain qualified and/or qualifiable minorities and women. The failure of a union to provide

sufficient referrals (even though it is obligated to provide exclusive referrals under the terms of a collective bargaining agreement) does not relieve the contractor from the requirements of this paragraph. In the event the union referral practice prevents the contractor from meeting the obligations pursuant to Executive Order 11246, as amended, and these special provisions, such contractor shall immediately notify the contracting agency.

8. Reasonable Accommodation for Applicants / Employees with Disabilities: The contractor must be familiar with the requirements for and comply with the Americans with Disabilities Act and all rules and regulations established thereunder. Employers must provide reasonable accommodation in all employment activities unless to do so would cause an undue hardship.

9. Selection of Subcontractors, Procurement of Materials and Leasing of Equipment: The contractor shall not discriminate on the grounds of race, color, religion, sex, sexual orientation, gender identity, national origin, age, or disability in the selection and retention of subcontractors, including procurement of materials and leases of equipment. The contractor shall take all necessary and reasonable steps to ensure nondiscrimination in the administration of this contract.

a. The contractor shall notify all potential subcontractors, suppliers, and lessors of their EEO obligations under this contract.

b. The contractor will use good faith efforts to ensure subcontractor compliance with their EEO obligations.

10. Assurances Required:

a. The requirements of 49 CFR Part 26 and the State DOT's FHWA-approved Disadvantaged Business Enterprise (DBE) program are incorporated by reference.

b. The contractor, subrecipient or subcontractor shall not discriminate on the basis of race, color, national origin, or sex in the performance of this contract. The contractor shall carry out applicable requirements of 49 CFR part 26 in the award and administration of DOT-assisted contracts. Failure by the contractor to carry out these requirements is a material breach of this contract, which may result in the termination of this contract or such other remedy as the recipient deems appropriate, which may include, but is not limited to:

- (1) Withholding monthly progress payments;
- (2) Assessing sanctions;
- (3) Liquidated damages; and/or
- (4) Disqualifying the contractor from future bidding as non-responsible.

c. The Title VI and nondiscrimination provisions of U.S. DOT Order 1050.2A at Appendixes A and E are incorporated by reference. 49 CFR Part 21.

11. Records and Reports: The contractor shall keep such records as necessary to document compliance with the EEO requirements. Such records shall be retained for a period of three years following the date of the final payment to the contractor for all contract work and shall be available at reasonable times and places for inspection by authorized representatives of the contracting agency and the FHWA.

a. The records kept by the contractor shall document the following:

(1) The number and work hours of minority and non-minority group members and women employed in each work classification on the project;

(2) The progress and efforts being made in cooperation with unions, when applicable, to increase employment opportunities for minorities and women; and

(3) The progress and efforts being made in locating, hiring, training, qualifying, and upgrading minorities and women.

b. The contractors and subcontractors will submit an annual report to the contracting agency each July for the duration of the project indicating the number of minority, women, and non-minority group employees currently engaged in each work classification required by the contract work. This information is to be reported on [Form FHWA-1391](#). The staffing data should represent the project work force on board in all or any part of the last payroll period preceding the end of July. If on-the-job training is being required by special provision, the contractor will be required to collect and report training data. The employment data should reflect the work force on board during all or any part of the last payroll period preceding the end of July.

III. NONSEGREGATED FACILITIES

This provision is applicable to all Federal-aid construction contracts and to all related construction subcontracts of more than \$10,000. 41 CFR 60-1.5.

As prescribed by 41 CFR 60-1.8, the contractor must ensure that facilities provided for employees are provided in such a manner that segregation on the basis of race, color, religion, sex, sexual orientation, gender identity, or national origin cannot result. The contractor may neither require such segregated use by written or oral policies nor tolerate such use by employee custom. The contractor's obligation extends further to ensure that its employees are not assigned to perform their services at any location under the contractor's control where the facilities are segregated. The term "facilities" includes waiting rooms, work areas, restaurants and other eating areas, time clocks, restrooms, washrooms, locker rooms and other storage or dressing areas, parking lots, drinking fountains, recreation or entertainment areas, transportation, and housing provided for employees. The contractor shall provide separate or single-user restrooms and necessary dressing or sleeping areas to assure privacy between sexes.

IV. DAVIS-BACON AND RELATED ACT PROVISIONS

This section is applicable to all Federal-aid construction projects exceeding \$2,000 and to all related subcontracts and lower-tier subcontracts (regardless of subcontract size), in accordance with 29 CFR 5.5. The requirements apply to all projects located within the right-of-way of a roadway that is functionally classified as Federal-aid highway. 23 U.S.C. 113. This excludes roadways functionally classified as local roads or rural minor collectors, which are exempt. 23 U.S.C. 101. Where applicable law requires that projects be treated as a project on a Federal-aid highway, the provisions of this subpart will apply regardless of the location of the project. Examples include: Surface Transportation Block Grant Program projects funded under 23 U.S.C. 133 [excluding recreational trails projects], the Nationally Significant Freight and Highway

Projects funded under 23 U.S.C. 117, and National Highway Freight Program projects funded under 23 U.S.C. 167.

The following provisions are from the U.S. Department of Labor regulations in 29 CFR 5.5 "Contract provisions and related matters" with minor revisions to conform to the FHWA-1273 format and FHWA program requirements.

1. Minimum wages (29 CFR 5.5)

a. *Wage rates and fringe benefits.* All laborers and mechanics employed or working upon the site of the work (or otherwise working in construction or development of the project under a development statute), will be paid unconditionally and not less often than once a week, and without subsequent deduction or rebate on any account (except such payroll deductions as are permitted by regulations issued by the Secretary of Labor under the Copeland Act ([29 CFR part 3](#))), the full amount of basic hourly wages and bona fide fringe benefits (or cash equivalents thereof) due at time of payment computed at rates not less than those contained in the wage determination of the Secretary of Labor which is attached hereto and made a part hereof, regardless of any contractual relationship which may be alleged to exist between the contractor and such laborers and mechanics. As provided in paragraphs (d) and (e) of 29 CFR 5.5, the appropriate wage determinations are effective by operation of law even if they have not been attached to the contract. Contributions made or costs reasonably anticipated for bona fide fringe benefits under the Davis-Bacon Act ([40 U.S.C. 3141\(2\)\(B\)](#)) on behalf of laborers or mechanics are considered wages paid to such laborers or mechanics, subject to the provisions of paragraph 1.e. of this section; also, regular contributions made or costs incurred for more than a weekly period (but not less often than quarterly) under plans, funds, or programs which cover the particular weekly period, are deemed to be constructively made or incurred during such weekly period. Such laborers and mechanics must be paid the appropriate wage rate and fringe benefits on the wage determination for the classification(s) of work actually performed, without regard to skill, except as provided in paragraph 4. of this section. Laborers or mechanics performing work in more than one classification may be compensated at the rate specified for each classification for the time actually worked therein: *Provided*, That the employer's payroll records accurately set forth the time spent in each classification in which work is performed. The wage determination (including any additional classifications and wage rates conformed under paragraph 1.c. of this section) and the Davis-Bacon poster (WH-1321) must be posted at all times by the contractor and its subcontractors at the site of the work in a prominent and accessible place where it can be easily seen by the workers.

b. *Frequently recurring classifications.* (1) In addition to wage and fringe benefit rates that have been determined to be prevailing under the procedures set forth in [29 CFR part 1](#), a wage determination may contain, pursuant to § 1.3(f), wage and fringe benefit rates for classifications of laborers and mechanics for which conformance requests are regularly submitted pursuant to paragraph 1.c. of this section, provided that:

(i) The work performed by the classification is not performed by a classification in the wage determination for which a prevailing wage rate has been determined;

(ii) The classification is used in the area by the construction industry; and

(iii) The wage rate for the classification bears a reasonable relationship to the prevailing wage rates contained in the wage determination.

(2) The Administrator will establish wage rates for such classifications in accordance with paragraph 1.c.(1)(iii) of this section. Work performed in such a classification must be paid at no less than the wage and fringe benefit rate listed on the wage determination for such classification.

c. *Conformance.* (1) The contracting officer must require that any class of laborers or mechanics, including helpers, which is not listed in the wage determination and which is to be employed under the contract be classified in conformance with the wage determination. Conformance of an additional classification and wage rate and fringe benefits is appropriate only when the following criteria have been met:

(i) The work to be performed by the classification requested is not performed by a classification in the wage determination; and

(ii) The classification is used in the area by the construction industry; and

(iii) The proposed wage rate, including any bona fide fringe benefits, bears a reasonable relationship to the wage rates contained in the wage determination.

(2) The conformance process may not be used to split, subdivide, or otherwise avoid application of classifications listed in the wage determination.

(3) If the contractor and the laborers and mechanics to be employed in the classification (if known), or their representatives, and the contracting officer agree on the classification and wage rate (including the amount designated for fringe benefits where appropriate), a report of the action taken will be sent by the contracting officer by email to DBAconformance@dol.gov. The Administrator, or an authorized representative, will approve, modify, or disapprove every additional classification action within 30 days of receipt and so advise the contracting officer or will notify the contracting officer within the 30-day period that additional time is necessary.

(4) In the event the contractor, the laborers or mechanics to be employed in the classification or their representatives, and the contracting officer do not agree on the proposed classification and wage rate (including the amount designated for fringe benefits, where appropriate), the contracting officer will, by email to DBAconformance@dol.gov, refer the questions, including the views of all interested parties and the recommendation of the contracting officer, to the Administrator for determination. The Administrator, or an authorized representative, will issue a determination within 30 days of receipt and so advise the contracting officer or will notify the contracting officer within the 30-day period that additional time is necessary.

(5) The contracting officer must promptly notify the contractor of the action taken by the Wage and Hour Division

under paragraphs 1.c.(3) and (4) of this section. The contractor must furnish a written copy of such determination to each affected worker or it must be posted as a part of the wage determination. The wage rate (including fringe benefits where appropriate) determined pursuant to paragraph 1.c.(3) or (4) of this section must be paid to all workers performing work in the classification under this contract from the first day on which work is performed in the classification.

d. *Fringe benefits not expressed as an hourly rate.*

Whenever the minimum wage rate prescribed in the contract for a class of laborers or mechanics includes a fringe benefit which is not expressed as an hourly rate, the contractor may either pay the benefit as stated in the wage determination or may pay another bona fide fringe benefit or an hourly cash equivalent thereof.

e. *Unfunded plans.* If the contractor does not make payments to a trustee or other third person, the contractor may consider as part of the wages of any laborer or mechanic the amount of any costs reasonably anticipated in providing bona fide fringe benefits under a plan or program, *Provided*, That the Secretary of Labor has found, upon the written request of the contractor, in accordance with the criteria set forth in § 5.28, that the applicable standards of the Davis-Bacon Act have been met. The Secretary of Labor may require the contractor to set aside in a separate account assets for the meeting of obligations under the plan or program.

f. *Interest.* In the event of a failure to pay all or part of the wages required by the contract, the contractor will be required to pay interest on any underpayment of wages.

2. Withholding (29 CFR 5.5)

a. *Withholding requirements.* The contracting agency may, upon its own action, or must, upon written request of an authorized representative of the Department of Labor, withhold or cause to be withheld from the contractor so much of the accrued payments or advances as may be considered necessary to satisfy the liabilities of the prime contractor or any subcontractor for the full amount of wages and monetary relief, including interest, required by the clauses set forth in this section for violations of this contract, or to satisfy any such liabilities required by any other Federal contract, or federally assisted contract subject to Davis-Bacon labor standards, that is held by the same prime contractor (as defined in § 5.2). The necessary funds may be withheld from the contractor under this contract, any other Federal contract with the same prime contractor, or any other federally assisted contract that is subject to Davis-Bacon labor standards requirements and is held by the same prime contractor, regardless of whether the other contract was awarded or assisted by the same agency, and such funds may be used to satisfy the contractor liability for which the funds were withheld. In the event of a contractor's failure to pay any laborer or mechanic, including any apprentice or helper working on the site of the work all or part of the wages required by the contract, or upon the contractor's failure to submit the required records as discussed in paragraph 3.d. of this section, the contracting agency may on its own initiative and after written notice to the contractor, take such action as may be necessary to cause the suspension of any further payment, advance, or guarantee of funds until such violations have ceased.

b. *Priority to withheld funds.* The Department has priority to funds withheld or to be withheld in accordance with paragraph

2.a. of this section or Section V, paragraph 3.a., or both, over claims to those funds by:

- (1) A contractor's surety(ies), including without limitation performance bond sureties and payment bond sureties;
- (2) A contracting agency for its reprocurement costs;
- (3) A trustee(s) (either a court-appointed trustee or a U.S. trustee, or both) in bankruptcy of a contractor, or a contractor's bankruptcy estate;
- (4) A contractor's assignee(s);
- (5) A contractor's successor(s); or
- (6) A claim asserted under the Prompt Payment Act, 31 U.S.C. 3901–3907.

3. Records and certified payrolls (29 CFR 5.5)

a. Basic record requirements (1) Length of record retention. All regular payrolls and other basic records must be maintained by the contractor and any subcontractor during the course of the work and preserved for all laborers and mechanics working at the site of the work (or otherwise working in construction or development of the project under a development statute) for a period of at least 3 years after all the work on the prime contract is completed.

(2) Information required. Such records must contain the name; Social Security number; last known address, telephone number, and email address of each such worker; each worker's correct classification(s) of work actually performed; hourly rates of wages paid (including rates of contributions or costs anticipated for bona fide fringe benefits or cash equivalents thereof of the types described in 40 U.S.C. 3141(2)(B) of the Davis-Bacon Act); daily and weekly number of hours actually worked in total and on each covered contract; deductions made; and actual wages paid.

(3) Additional records relating to fringe benefits. Whenever the Secretary of Labor has found under paragraph 1.e. of this section that the wages of any laborer or mechanic include the amount of any costs reasonably anticipated in providing benefits under a plan or program described in 40 U.S.C. 3141(2)(B) of the Davis-Bacon Act, the contractor must maintain records which show that the commitment to provide such benefits is enforceable, that the plan or program is financially responsible, and that the plan or program has been communicated in writing to the laborers or mechanics affected, and records which show the costs anticipated or the actual cost incurred in providing such benefits.

(4) Additional records relating to apprenticeship. Contractors with apprentices working under approved programs must maintain written evidence of the registration of apprenticeship programs, the registration of the apprentices, and the ratios and wage rates prescribed in the applicable programs.

b. Certified payroll requirements (1) Frequency and method of submission. The contractor or subcontractor must submit weekly, for each week in which any DBA- or Related Acts-covered work is performed, certified payrolls to the contracting

agency. The prime contractor is responsible for the submission of all certified payrolls by all subcontractors. A contracting agency or prime contractor may permit or require contractors to submit certified payrolls through an electronic system, as long as the electronic system requires a legally valid electronic signature; the system allows the contractor, the contracting agency, and the Department of Labor to access the certified payrolls upon request for at least 3 years after the work on the prime contract has been completed; and the contracting agency or prime contractor permits other methods of submission in situations where the contractor is unable or limited in its ability to use or access the electronic system.

(2) Information required. The certified payrolls submitted must set out accurately and completely all of the information required to be maintained under paragraph 3.a.(2) of this section, except that full Social Security numbers and last known addresses, telephone numbers, and email addresses must not be included on weekly transmittals. Instead, the certified payrolls need only include an individually identifying number for each worker (e.g., the last four digits of the worker's Social Security number). The required weekly certified payroll information may be submitted using Optional Form WH-347 or in any other format desired. Optional Form WH-347 is available for this purpose from the Wage and Hour Division website at <https://www.dol.gov/sites/dolgov/files/WHD/legacy/files/wh347.pdf> or its successor website. It is not a violation of this section for a prime contractor to require a subcontractor to provide full Social Security numbers and last known addresses, telephone numbers, and email addresses to the prime contractor for its own records, without weekly submission by the subcontractor to the contracting agency.

(3) Statement of Compliance. Each certified payroll submitted must be accompanied by a "Statement of Compliance," signed by the contractor or subcontractor, or the contractor's or subcontractor's agent who pays or supervises the payment of the persons working on the contract, and must certify the following:

(i) That the certified payroll for the payroll period contains the information required to be provided under paragraph 3.b. of this section, the appropriate information and basic records are being maintained under paragraph 3.a. of this section, and such information and records are correct and complete;

(ii) That each laborer or mechanic (including each helper and apprentice) working on the contract during the payroll period has been paid the full weekly wages earned, without rebate, either directly or indirectly, and that no deductions have been made either directly or indirectly from the full wages earned, other than permissible deductions as set forth in 29 CFR part 3; and

(iii) That each laborer or mechanic has been paid not less than the applicable wage rates and fringe benefits or cash equivalents for the classification(s) of work actually performed, as specified in the applicable wage determination incorporated into the contract.

(4) Use of Optional Form WH-347. The weekly submission of a properly executed certification set forth on the reverse side of Optional Form WH-347 will satisfy the requirement for submission of the "Statement of Compliance" required by paragraph 3.b.(3) of this section.

(5) *Signature.* The signature by the contractor, subcontractor, or the contractor's or subcontractor's agent must be an original handwritten signature or a legally valid electronic signature.

(6) *Falsification.* The falsification of any of the above certifications may subject the contractor or subcontractor to civil or criminal prosecution under [18 U.S.C. 1001](#) and [31 U.S.C. 3729](#).

(7) *Length of certified payroll retention.* The contractor or subcontractor must preserve all certified payrolls during the course of the work and for a period of 3 years after all the work on the prime contract is completed.

c. *Contracts, subcontracts, and related documents.* The contractor or subcontractor must maintain this contract or subcontract and related documents including, without limitation, bids, proposals, amendments, modifications, and extensions. The contractor or subcontractor must preserve these contracts, subcontracts, and related documents during the course of the work and for a period of 3 years after all the work on the prime contract is completed.

d. *Required disclosures and access (1) Required record disclosures and access to workers.* The contractor or subcontractor must make the records required under paragraphs 3.a. through 3.c. of this section, and any other documents that the contracting agency, the State DOT, the FHWA, or the Department of Labor deems necessary to determine compliance with the labor standards provisions of any of the applicable statutes referenced by § 5.1, available for inspection, copying, or transcription by authorized representatives of the contracting agency, the State DOT, the FHWA, or the Department of Labor, and must permit such representatives to interview workers during working hours on the job.

(2) *Sanctions for non-compliance with records and worker access requirements.* If the contractor or subcontractor fails to submit the required records or to make them available, or refuses to permit worker interviews during working hours on the job, the Federal agency may, after written notice to the contractor, sponsor, applicant, owner, or other entity, as the case may be, that maintains such records or that employs such workers, take such action as may be necessary to cause the suspension of any further payment, advance, or guarantee of funds. Furthermore, failure to submit the required records upon request or to make such records available, or to permit worker interviews during working hours on the job, may be grounds for debarment action pursuant to § 5.12. In addition, any contractor or other person that fails to submit the required records or make those records available to WHD within the time WHD requests that the records be produced will be precluded from introducing as evidence in an administrative proceeding under [29 CFR part 6](#) any of the required records that were not provided or made available to WHD. WHD will take into consideration a reasonable request from the contractor or person for an extension of the time for submission of records. WHD will determine the reasonableness of the request and may consider, among other things, the location of the records and the volume of production.

(3) *Required information disclosures.* Contractors and subcontractors must maintain the full Social Security number and last known address, telephone number, and email address

of each covered worker, and must provide them upon request to the contracting agency, the State DOT, the FHWA, the contractor, or the Wage and Hour Division of the Department of Labor for purposes of an investigation or other compliance action.

4. Apprentices and equal employment opportunity (29 CFR 5.5)

a. *Apprentices (1) Rate of pay.* Apprentices will be permitted to work at less than the predetermined rate for the work they perform when they are employed pursuant to and individually registered in a bona fide apprenticeship program registered with the U.S. Department of Labor, Employment and Training Administration, Office of Apprenticeship (OA), or with a State Apprenticeship Agency recognized by the OA. A person who is not individually registered in the program, but who has been certified by the OA or a State Apprenticeship Agency (where appropriate) to be eligible for probationary employment as an apprentice, will be permitted to work at less than the predetermined rate for the work they perform in the first 90 days of probationary employment as an apprentice in such a program. In the event the OA or a State Apprenticeship Agency recognized by the OA withdraws approval of an apprenticeship program, the contractor will no longer be permitted to use apprentices at less than the applicable predetermined rate for the work performed until an acceptable program is approved.

(2) *Fringe benefits.* Apprentices must be paid fringe benefits in accordance with the provisions of the apprenticeship program. If the apprenticeship program does not specify fringe benefits, apprentices must be paid the full amount of fringe benefits listed on the wage determination for the applicable classification. If the Administrator determines that a different practice prevails for the applicable apprentice classification, fringe benefits must be paid in accordance with that determination.

(3) *Apprenticeship ratio.* The allowable ratio of apprentices to journeyworkers on the job site in any craft classification must not be greater than the ratio permitted to the contractor as to the entire work force under the registered program or the ratio applicable to the locality of the project pursuant to paragraph 4.a.(4) of this section. Any worker listed on a payroll at an apprentice wage rate, who is not registered or otherwise employed as stated in paragraph 4.a.(1) of this section, must be paid not less than the applicable wage rate on the wage determination for the classification of work actually performed. In addition, any apprentice performing work on the job site in excess of the ratio permitted under this section must be paid not less than the applicable wage rate on the wage determination for the work actually performed.

(4) *Reciprocity of ratios and wage rates.* Where a contractor is performing construction on a project in a locality other than the locality in which its program is registered, the ratios and wage rates (expressed in percentages of the journeyworker's hourly rate) applicable within the locality in which the construction is being performed must be observed. If there is no applicable ratio or wage rate for the locality of the project, the ratio and wage rate specified in the contractor's registered program must be observed.

b. *Equal employment opportunity.* The use of apprentices and journeyworkers under this part must be in conformity with

the equal employment opportunity requirements of Executive Order 11246, as amended, and [29 CFR part 30](#).

c. Apprentices and Trainees (programs of the U.S. DOT).

Apprentices and trainees working under apprenticeship and skill training programs which have been certified by the Secretary of Transportation as promoting EEO in connection with Federal-aid highway construction programs are not subject to the requirements of paragraph 4 of this Section IV. 23 CFR 230.111(e)(2). The straight time hourly wage rates for apprentices and trainees under such programs will be established by the particular programs. The ratio of apprentices and trainees to journeyworkers shall not be greater than permitted by the terms of the particular program.

5. Compliance with Copeland Act requirements. The contractor shall comply with the requirements of 29 CFR part 3, which are incorporated by reference in this contract as provided in 29 CFR 5.5.

6. Subcontracts. The contractor or subcontractor must insert FHWA-1273 in any subcontracts, along with the applicable wage determination(s) and such other clauses or contract modifications as the contracting agency may by appropriate instructions require, and a clause requiring the subcontractors to include these clauses and wage determination(s) in any lower tier subcontracts. The prime contractor is responsible for the compliance by any subcontractor or lower tier subcontractor with all the contract clauses in this section. In the event of any violations of these clauses, the prime contractor and any subcontractor(s) responsible will be liable for any unpaid wages and monetary relief, including interest from the date of the underpayment or loss, due to any workers of lower-tier subcontractors, and may be subject to debarment, as appropriate. 29 CFR 5.5.

7. Contract termination: debarment. A breach of the contract clauses in 29 CFR 5.5 may be grounds for termination of the contract, and for debarment as a contractor and a subcontractor as provided in 29 CFR 5.12.

8. Compliance with Davis-Bacon and Related Act requirements. All rulings and interpretations of the Davis-Bacon and Related Acts contained in 29 CFR parts 1, 3, and 5 are herein incorporated by reference in this contract as provided in 29 CFR 5.5.

9. Disputes concerning labor standards. As provided in 29 CFR 5.5, disputes arising out of the labor standards provisions of this contract shall not be subject to the general disputes clause of this contract. Such disputes shall be resolved in accordance with the procedures of the Department of Labor set forth in 29 CFR parts 5, 6, and 7. Disputes within the meaning of this clause include disputes between the contractor (or any of its subcontractors) and the contracting agency, the U.S. Department of Labor, or the employees or their representatives.

10. Certification of eligibility. a. By entering into this contract, the contractor certifies that neither it nor any person or firm who has an interest in the contractor's firm is a person or firm ineligible to be awarded Government contracts by virtue of [40 U.S.C. 3144\(b\)](#) or § 5.12(a).

b. No part of this contract shall be subcontracted to any person or firm ineligible for award of a Government contract by virtue of [40 U.S.C. 3144\(b\)](#) or § 5.12(a).

c. The penalty for making false statements is prescribed in the U.S. Code, Title 18 Crimes and Criminal Procedure, [18 U.S.C. 1001](#).

11. Anti-retaliation. It is unlawful for any person to discharge, demote, intimidate, threaten, restrain, coerce, blacklist, harass, or in any other manner discriminate against, or to cause any person to discharge, demote, intimidate, threaten, restrain, coerce, blacklist, harass, or in any other manner discriminate against, any worker or job applicant for:

a. Notifying any contractor of any conduct which the worker reasonably believes constitutes a violation of the DBA, Related Acts, this part, or [29 CFR part 1](#) or [3](#);

b. Filing any complaint, initiating or causing to be initiated any proceeding, or otherwise asserting or seeking to assert on behalf of themselves or others any right or protection under the DBA, Related Acts, this part, or [29 CFR part 1](#) or [3](#);

c. Cooperating in any investigation or other compliance action, or testifying in any proceeding under the DBA, Related Acts, this part, or [29 CFR part 1](#) or [3](#); or

d. Informing any other person about their rights under the DBA, Related Acts, this part, or [29 CFR part 1](#) or [3](#).

V. CONTRACT WORK HOURS AND SAFETY STANDARDS ACT

Pursuant to 29 CFR 5.5(b), the following clauses apply to any Federal-aid construction contract in an amount in excess of \$100,000 and subject to the overtime provisions of the Contract Work Hours and Safety Standards Act. These clauses shall be inserted in addition to the clauses required by 29 CFR 5.5(a) or 29 CFR 4.6. As used in this paragraph, the terms laborers and mechanics include watchpersons and guards.

1. Overtime requirements. No contractor or subcontractor contracting for any part of the contract work which may require or involve the employment of laborers or mechanics shall require or permit any such laborer or mechanic in any workweek in which he or she is employed on such work to work in excess of forty hours in such workweek unless such laborer or mechanic receives compensation at a rate not less than one and one-half times the basic rate of pay for all hours worked in excess of forty hours in such workweek. 29 CFR 5.5.

2. Violation; liability for unpaid wages; liquidated damages. In the event of any violation of the clause set forth in paragraph 1. of this section the contractor and any subcontractor responsible therefor shall be liable for the unpaid wages and interest from the date of the underpayment. In addition, such contractor and subcontractor shall be liable to the United States (in the case of work done under contract for the District of Columbia or a territory, to such District or to such territory), for liquidated damages. Such liquidated damages shall be computed with respect to each individual laborer or

mechanic, including watchpersons and guards, employed in violation of the clause set forth in paragraph 1. of this section, in the sum currently provided in 29 CFR 5.5(b)(2)* for each calendar day on which such individual was required or permitted to work in excess of the standard workweek of forty hours without payment of the overtime wages required by the clause set forth in paragraph 1. of this section.

* \$31 as of January 15, 2023 (See 88 FR 88 FR 2210) as may be adjusted annually by the Department of Labor, pursuant to the Federal Civil Penalties Inflation Adjustment Act of 1990.

3. Withholding for unpaid wages and liquidated damages

a. *Withholding process.* The FHWA or the contracting agency may, upon its own action, or must, upon written request of an authorized representative of the Department of Labor, withhold or cause to be withheld from the contractor so much of the accrued payments or advances as may be considered necessary to satisfy the liabilities of the prime contractor or any subcontractor for any unpaid wages; monetary relief, including interest; and liquidated damages required by the clauses set forth in this section on this contract, any other Federal contract with the same prime contractor, or any other federally assisted contract subject to the Contract Work Hours and Safety Standards Act that is held by the same prime contractor (as defined in § 5.2). The necessary funds may be withheld from the contractor under this contract, any other Federal contract with the same prime contractor, or any other federally assisted contract that is subject to the Contract Work Hours and Safety Standards Act and is held by the same prime contractor, regardless of whether the other contract was awarded or assisted by the same agency, and such funds may be used to satisfy the contractor liability for which the funds were withheld.

b. *Priority to withheld funds.* The Department has priority to funds withheld or to be withheld in accordance with Section IV paragraph 2.a. or paragraph 3.a. of this section, or both, over claims to those funds by:

- (1) A contractor's surety(ies), including without limitation performance bond sureties and payment bond sureties;
- (2) A contracting agency for its reprocurement costs;
- (3) A trustee(s) (either a court-appointed trustee or a U.S. trustee, or both) in bankruptcy of a contractor, or a contractor's bankruptcy estate;
- (4) A contractor's assignee(s);
- (5) A contractor's successor(s); or
- (6) A claim asserted under the Prompt Payment Act, [31 U.S.C. 3901–3907](#).

4. Subcontracts. The contractor or subcontractor must insert in any subcontracts the clauses set forth in paragraphs 1. through 5. of this section and a clause requiring the subcontractors to include these clauses in any lower tier subcontracts. The prime contractor is responsible for compliance by any subcontractor or lower tier subcontractor with the clauses set forth in paragraphs 1. through 5. In the

event of any violations of these clauses, the prime contractor and any subcontractor(s) responsible will be liable for any unpaid wages and monetary relief, including interest from the date of the underpayment or loss, due to any workers of lower-tier subcontractors, and associated liquidated damages and may be subject to debarment, as appropriate.

5. Anti-retaliation. It is unlawful for any person to discharge, demote, intimidate, threaten, restrain, coerce, blacklist, harass, or in any other manner discriminate against, or to cause any person to discharge, demote, intimidate, threaten, restrain, coerce, blacklist, harass, or in any other manner discriminate against, any worker or job applicant for:

a. Notifying any contractor of any conduct which the worker reasonably believes constitutes a violation of the Contract Work Hours and Safety Standards Act (CWHSSA) or its implementing regulations in this part;

b. Filing any complaint, initiating or causing to be initiated any proceeding, or otherwise asserting or seeking to assert on behalf of themselves or others any right or protection under CWHSSA or this part;

c. Cooperating in any investigation or other compliance action, or testifying in any proceeding under CWHSSA or this part; or

d. Informing any other person about their rights under CWHSSA or this part.

VI. SUBLETTING OR ASSIGNING THE CONTRACT

This provision is applicable to all Federal-aid construction contracts on the National Highway System pursuant to 23 CFR 635.116.

1. The contractor shall perform with its own organization contract work amounting to not less than 30 percent (or a greater percentage if specified elsewhere in the contract) of the total original contract price, excluding any specialty items designated by the contracting agency. Specialty items may be performed by subcontract and the amount of any such specialty items performed may be deducted from the total original contract price before computing the amount of work required to be performed by the contractor's own organization (23 CFR 635.116).

a. The term "perform work with its own organization" in paragraph 1 of Section VI refers to workers employed or leased by the prime contractor, and equipment owned or rented by the prime contractor, with or without operators. Such term does not include employees or equipment of a subcontractor or lower tier subcontractor, agents of the prime contractor, or any other assignees. The term may include payments for the costs of hiring leased employees from an employee leasing firm meeting all relevant Federal and State regulatory requirements. Leased employees may only be included in this term if the prime contractor meets all of the following conditions: (based on longstanding interpretation)

(1) the prime contractor maintains control over the supervision of the day-to-day activities of the leased employees;

(2) the prime contractor remains responsible for the quality of the work of the leased employees;

- (3) the prime contractor retains all power to accept or exclude individual employees from work on the project; and
- (4) the prime contractor remains ultimately responsible for the payment of predetermined minimum wages, the submission of payrolls, statements of compliance and all other Federal regulatory requirements.

b. "Specialty Items" shall be construed to be limited to work that requires highly specialized knowledge, abilities, or equipment not ordinarily available in the type of contracting organizations qualified and expected to bid or propose on the contract as a whole and in general are to be limited to minor components of the overall contract. 23 CFR 635.102.

2. Pursuant to 23 CFR 635.116(a), the contract amount upon which the requirements set forth in paragraph (1) of Section VI is computed includes the cost of material and manufactured products which are to be purchased or produced by the contractor under the contract provisions.

3. Pursuant to 23 CFR 635.116(c), the contractor shall furnish (a) a competent superintendent or supervisor who is employed by the firm, has full authority to direct performance of the work in accordance with the contract requirements, and is in charge of all construction operations (regardless of who performs the work) and (b) such other of its own organizational resources (supervision, management, and engineering services) as the contracting officer determines is necessary to assure the performance of the contract.

4. No portion of the contract shall be sublet, assigned or otherwise disposed of except with the written consent of the contracting officer, or authorized representative, and such consent when given shall not be construed to relieve the contractor of any responsibility for the fulfillment of the contract. Written consent will be given only after the contracting agency has assured that each subcontract is evidenced in writing and that it contains all pertinent provisions and requirements of the prime contract. (based on long-standing interpretation of 23 CFR 635.116).

5. The 30-percent self-performance requirement of paragraph (1) is not applicable to design-build contracts; however, contracting agencies may establish their own self-performance requirements. 23 CFR 635.116(d).

VII. SAFETY: ACCIDENT PREVENTION

This provision is applicable to all Federal-aid construction contracts and to all related subcontracts.

1. In the performance of this contract the contractor shall comply with all applicable Federal, State, and local laws governing safety, health, and sanitation (23 CFR Part 635). The contractor shall provide all safeguards, safety devices and protective equipment and take any other needed actions as it determines, or as the contracting officer may determine, to be reasonably necessary to protect the life and health of employees on the job and the safety of the public and to protect property in connection with the performance of the work covered by the contract. 23 CFR 635.108.

2. It is a condition of this contract, and shall be made a condition of each subcontract, which the contractor enters into pursuant to this contract, that the contractor and any subcontractor shall not permit any employee, in performance of the contract, to work in surroundings or under conditions which are unsanitary, hazardous or dangerous to his/her health or safety, as determined under construction safety and

health standards (29 CFR Part 1926) promulgated by the Secretary of Labor, in accordance with Section 107 of the Contract Work Hours and Safety Standards Act (40 U.S.C. 3704). 29 CFR 1926.10.

3. Pursuant to 29 CFR 1926.3, it is a condition of this contract that the Secretary of Labor or authorized representative thereof, shall have right of entry to any site of contract performance to inspect or investigate the matter of compliance with the construction safety and health standards and to carry out the duties of the Secretary under Section 107 of the Contract Work Hours and Safety Standards Act (40 U.S.C. 3704).

VIII. FALSE STATEMENTS CONCERNING HIGHWAY PROJECTS

This provision is applicable to all Federal-aid construction contracts and to all related subcontracts.

In order to assure high quality and durable construction in conformity with approved plans and specifications and a high degree of reliability on statements and representations made by engineers, contractors, suppliers, and workers on Federal-aid highway projects, it is essential that all persons concerned with the project perform their functions as carefully, thoroughly, and honestly as possible. Willful falsification, distortion, or misrepresentation with respect to any facts related to the project is a violation of Federal law. To prevent any misunderstanding regarding the seriousness of these and similar acts, Form FHWA-1022 shall be posted on each Federal-aid highway project (23 CFR Part 635) in one or more places where it is readily available to all persons concerned with the project:

18 U.S.C. 1020 reads as follows:

"Whoever, being an officer, agent, or employee of the United States, or of any State or Territory, or whoever, whether a person, association, firm, or corporation, knowingly makes any false statement, false representation, or false report as to the character, quality, quantity, or cost of the material used or to be used, or the quantity or quality of the work performed or to be performed, or the cost thereof in connection with the submission of plans, maps, specifications, contracts, or costs of construction on any highway or related project submitted for approval to the Secretary of Transportation; or

Whoever knowingly makes any false statement, false representation, false report or false claim with respect to the character, quality, quantity, or cost of any work performed or to be performed, or materials furnished or to be furnished, in connection with the construction of any highway or related project approved by the Secretary of Transportation; or

Whoever knowingly makes any false statement or false representation as to material fact in any statement, certificate, or report submitted pursuant to provisions of the Federal-aid Roads Act approved July 11, 1916, (39 Stat. 355), as amended and supplemented;

Shall be fined under this title or imprisoned not more than 5 years or both."

IX. IMPLEMENTATION OF CLEAN AIR ACT AND FEDERAL WATER POLLUTION CONTROL ACT (42 U.S.C. 7606; 2 CFR 200.88; EO 11738)

This provision is applicable to all Federal-aid construction contracts in excess of \$150,000 and to all related subcontracts. 48 CFR 2.101; 2 CFR 200.327.

By submission of this bid/proposal or the execution of this contract or subcontract, as appropriate, the bidder, proposer, Federal-aid construction contractor, subcontractor, supplier, or vendor agrees to comply with all applicable standards, orders or regulations issued pursuant to the Clean Air Act (42 U.S.C. 7401-7671q) and the Federal Water Pollution Control Act, as amended (33 U.S.C. 1251-1387). Violations must be reported to the Federal Highway Administration and the Regional Office of the Environmental Protection Agency. 2 CFR Part 200, Appendix II.

The contractor agrees to include or cause to be included the requirements of this Section in every subcontract, and further agrees to take such action as the contracting agency may direct as a means of enforcing such requirements. 2 CFR 200.327.

X. CERTIFICATION REGARDING DEBARMENT, SUSPENSION, INELIGIBILITY AND VOLUNTARY EXCLUSION

This provision is applicable to all Federal-aid construction contracts, design-build contracts, subcontracts, lower-tier subcontracts, purchase orders, lease agreements, consultant contracts or any other covered transaction requiring FHWA approval or that is estimated to cost \$25,000 or more – as defined in 2 CFR Parts 180 and 1200. 2 CFR 180.220 and 1200.220.

1. Instructions for Certification – First Tier Participants:

a. By signing and submitting this proposal, the prospective first tier participant is providing the certification set out below.

b. The inability of a person to provide the certification set out below will not necessarily result in denial of participation in this covered transaction. The prospective first tier participant shall submit an explanation of why it cannot provide the certification set out below. The certification or explanation will be considered in connection with the department or agency's determination whether to enter into this transaction. However, failure of the prospective first tier participant to furnish a certification or an explanation shall disqualify such a person from participation in this transaction. 2 CFR 180.320.

c. The certification in this clause is a material representation of fact upon which reliance was placed when the contracting agency determined to enter into this transaction. If it is later determined that the prospective participant knowingly rendered an erroneous certification, in addition to other remedies available to the Federal Government, the contracting agency may terminate this transaction for cause of default. 2 CFR 180.325.

d. The prospective first tier participant shall provide immediate written notice to the contracting agency to whom this proposal is submitted if any time the prospective first tier participant learns that its certification was erroneous when submitted or has become erroneous by reason of changed circumstances. 2 CFR 180.345 and 180.350.

e. The terms "covered transaction," "debarred," "suspended," "ineligible," "participant," "person," "principal," and "voluntarily excluded," as used in this clause, are defined in 2 CFR Parts 180, Subpart I, 180.900-180.1020, and 1200. "First Tier Covered Transactions" refers to any covered transaction between a recipient or subrecipient of Federal funds and a participant (such as the prime or general contract). "Lower Tier Covered Transactions" refers to any covered transaction under a First Tier Covered Transaction (such as subcontracts). "First Tier Participant" refers to the participant who has entered into a covered transaction with a recipient or subrecipient of Federal funds (such as the prime or general contractor). "Lower Tier Participant" refers any participant who has entered into a covered transaction with a First Tier Participant or other Lower Tier Participants (such as subcontractors and suppliers).

f. The prospective first tier participant agrees by submitting this proposal that, should the proposed covered transaction be entered into, it shall not knowingly enter into any lower tier covered transaction with a person who is debarred, suspended, declared ineligible, or voluntarily excluded from participation in this covered transaction, unless authorized by the department or agency entering into this transaction. 2 CFR 180.330.

g. The prospective first tier participant further agrees by submitting this proposal that it will include the clause titled "Certification Regarding Debarment, Suspension, Ineligibility and Voluntary Exclusion-Lower Tier Covered Transactions," provided by the department or contracting agency, entering into this covered transaction, without modification, in all lower tier covered transactions and in all solicitations for lower tier covered transactions exceeding the \$25,000 threshold. 2 CFR 180.220 and 180.300.

h. A participant in a covered transaction may rely upon a certification of a prospective participant in a lower tier covered transaction that is not debarred, suspended, ineligible, or voluntarily excluded from the covered transaction, unless it knows that the certification is erroneous. 2 CFR 180.300; 180.320, and 180.325. A participant is responsible for ensuring that its principals are not suspended, debarred, or otherwise ineligible to participate in covered transactions. 2 CFR 180.335. To verify the eligibility of its principals, as well as the eligibility of any lower tier prospective participants, each participant may, but is not required to, check the System for Award Management website (<https://www.sam.gov/>). 2 CFR 180.300, 180.320, and 180.325.

i. Nothing contained in the foregoing shall be construed to require the establishment of a system of records in order to render in good faith the certification required by this clause. The knowledge and information of the prospective participant is not required to exceed that which is normally possessed by a prudent person in the ordinary course of business dealings.

j. Except for transactions authorized under paragraph (f) of these instructions, if a participant in a covered transaction knowingly enters into a lower tier covered transaction with a person who is suspended, debarred, ineligible, or voluntarily excluded from participation in this transaction, in addition to other remedies available to the Federal Government, the department or agency may terminate this transaction for cause or default. 2 CFR 180.325.

* * * * *

2. Certification Regarding Debarment, Suspension, Ineligibility and Voluntary Exclusion – First Tier Participants:

a. The prospective first tier participant certifies to the best of its knowledge and belief, that it and its principals:

(1) Are not presently debarred, suspended, proposed for debarment, declared ineligible, or voluntarily excluded from participating in covered transactions by any Federal department or agency, 2 CFR 180.335;.

(2) Have not within a three-year period preceding this proposal been convicted of or had a civil judgment rendered against them for commission of fraud or a criminal offense in connection with obtaining, attempting to obtain, or performing a public (Federal, State, or local) transaction or contract under a public transaction; violation of Federal or State antitrust statutes or commission of embezzlement, theft, forgery, bribery, falsification or destruction of records, making false statements, or receiving stolen property, 2 CFR 180.800;

(3) Are not presently indicted for or otherwise criminally or civilly charged by a governmental entity (Federal, State or local) with commission of any of the offenses enumerated in paragraph (a)(2) of this certification, 2 CFR 180.700 and 180.800; and

(4) Have not within a three-year period preceding this application/proposal had one or more public transactions (Federal, State or local) terminated for cause or default. 2 CFR 180.335(d).

(5) Are not a corporation that has been convicted of a felony violation under any Federal law within the two-year period preceding this proposal (USDOT Order 4200.6 implementing appropriations act requirements); and

(6) Are not a corporation with any unpaid Federal tax liability that has been assessed, for which all judicial and administrative remedies have been exhausted, or have lapsed, and that is not being paid in a timely manner pursuant to an agreement with the authority responsible for collecting the tax liability (USDOT Order 4200.6 implementing appropriations act requirements).

b. Where the prospective participant is unable to certify to any of the statements in this certification, such prospective participant should attach an explanation to this proposal. 2 CFR 180.335 and 180.340.

* * * * *

3. Instructions for Certification - Lower Tier Participants:

(Applicable to all subcontracts, purchase orders, and other lower tier transactions requiring prior FHWA approval or estimated to cost \$25,000 or more - 2 CFR Parts 180 and 1200). 2 CFR 180.220 and 1200.220.

a. By signing and submitting this proposal, the prospective lower tier participant is providing the certification set out below.

b. The certification in this clause is a material representation of fact upon which reliance was placed when this transaction was entered into. If it is later determined that the prospective lower tier participant knowingly rendered an erroneous certification, in addition to other remedies available to the Federal Government, the department, or agency with which

this transaction originated may pursue available remedies, including suspension and/or debarment.

c. The prospective lower tier participant shall provide immediate written notice to the person to which this proposal is submitted if at any time the prospective lower tier participant learns that its certification was erroneous by reason of changed circumstances. 2 CFR 180.365.

d. The terms "covered transaction," "debarred," "suspended," "ineligible," "participant," "person," "principal," and "voluntarily excluded," as used in this clause, are defined in 2 CFR Parts 180, Subpart I, 180.900 – 180.1020, and 1200. You may contact the person to which this proposal is submitted for assistance in obtaining a copy of those regulations. "First Tier Covered Transactions" refers to any covered transaction between a recipient or subrecipient of Federal funds and a participant (such as the prime or general contract). "Lower Tier Covered Transactions" refers to any covered transaction under a First Tier Covered Transaction (such as subcontracts). "First Tier Participant" refers to the participant who has entered into a covered transaction with a recipient or subrecipient of Federal funds (such as the prime or general contractor). "Lower Tier Participant" refers any participant who has entered into a covered transaction with a First Tier Participant or other Lower Tier Participants (such as subcontractors and suppliers).

e. The prospective lower tier participant agrees by submitting this proposal that, should the proposed covered transaction be entered into, it shall not knowingly enter into any lower tier covered transaction with a person who is debarred, suspended, declared ineligible, or voluntarily excluded from participation in this covered transaction, unless authorized by the department or agency with which this transaction originated. 2 CFR 1200.220 and 1200.332.

f. The prospective lower tier participant further agrees by submitting this proposal that it will include this clause titled "Certification Regarding Debarment, Suspension, Ineligibility and Voluntary Exclusion-Lower Tier Covered Transaction," without modification, in all lower tier covered transactions and in all solicitations for lower tier covered transactions exceeding the \$25,000 threshold. 2 CFR 180.220 and 1200.220.

g. A participant in a covered transaction may rely upon a certification of a prospective participant in a lower tier covered transaction that is not debarred, suspended, ineligible, or voluntarily excluded from the covered transaction, unless it knows that the certification is erroneous. A participant is responsible for ensuring that its principals are not suspended, debarred, or otherwise ineligible to participate in covered transactions. To verify the eligibility of its principals, as well as the eligibility of any lower tier prospective participants, each participant may, but is not required to, check the System for Award Management website (<https://www.sam.gov/>), which is compiled by the General Services Administration. 2 CFR 180.300, 180.320, 180.330, and 180.335.

h. Nothing contained in the foregoing shall be construed to require establishment of a system of records in order to render in good faith the certification required by this clause. The knowledge and information of participant is not required to exceed that which is normally possessed by a prudent person in the ordinary course of business dealings.

i. Except for transactions authorized under paragraph e of these instructions, if a participant in a covered transaction knowingly enters into a lower tier covered transaction with a person who is suspended, debarred, ineligible, or voluntarily

excluded from participation in this transaction, in addition to other remedies available to the Federal Government, the department or agency with which this transaction originated may pursue available remedies, including suspension and/or debarment. 2 CFR 180.325.

* * * * *

4. Certification Regarding Debarment, Suspension, Ineligibility and Voluntary Exclusion--Lower Tier Participants:

a. The prospective lower tier participant certifies, by submission of this proposal, that neither it nor its principals:

(1) is presently debarred, suspended, proposed for debarment, declared ineligible, or voluntarily excluded from participating in covered transactions by any Federal department or agency, 2 CFR 180.355;

(2) is a corporation that has been convicted of a felony violation under any Federal law within the two-year period preceding this proposal (USDOT Order 4200.6 implementing appropriations act requirements); and

(3) is a corporation with any unpaid Federal tax liability that has been assessed, for which all judicial and administrative remedies have been exhausted, or have lapsed, and that is not being paid in a timely manner pursuant to an agreement with the authority responsible for collecting the tax liability. (USDOT Order 4200.6 implementing appropriations act requirements)

b. Where the prospective lower tier participant is unable to certify to any of the statements in this certification, such prospective participant should attach an explanation to this proposal.

* * * * *

XI. CERTIFICATION REGARDING USE OF CONTRACT FUNDS FOR LOBBYING

This provision is applicable to all Federal-aid construction contracts and to all related subcontracts which exceed \$100,000. 49 CFR Part 20, App. A.

1. The prospective participant certifies, by signing and submitting this bid or proposal, to the best of his or her knowledge and belief, that:

a. No Federal appropriated funds have been paid or will be paid, by or on behalf of the undersigned, to any person for influencing or attempting to influence an officer or employee of any Federal agency, a Member of Congress, an officer or employee of Congress, or an employee of a Member of Congress in connection with the awarding of any Federal contract, the making of any Federal grant, the making of any Federal loan, the entering into of any cooperative agreement, and the extension, continuation, renewal, amendment, or modification of any Federal contract, grant, loan, or cooperative agreement.

b. If any funds other than Federal appropriated funds have been paid or will be paid to any person for influencing or attempting to influence an officer or employee of any Federal agency, a Member of Congress, an officer or employee of Congress, or an employee of a Member of Congress in connection with this Federal contract, grant, loan, or

cooperative agreement, the undersigned shall complete and submit Standard Form-LLL, "Disclosure Form to Report Lobbying," in accordance with its instructions.

2. This certification is a material representation of fact upon which reliance was placed when this transaction was made or entered into. Submission of this certification is a prerequisite for making or entering into this transaction imposed by 31 U.S.C. 1352. Any person who fails to file the required certification shall be subject to a civil penalty of not less than \$10,000 and not more than \$100,000 for each such failure.

3. The prospective participant also agrees by submitting its bid or proposal that the participant shall require that the language of this certification be included in all lower tier subcontracts, which exceed \$100,000 and that all such recipients shall certify and disclose accordingly.

XII. USE OF UNITED STATES-FLAG VESSELS:

This provision is applicable to all Federal-aid construction contracts, design-build contracts, subcontracts, lower-tier subcontracts, purchase orders, lease agreements, or any other covered transaction. 46 CFR Part 381.

This requirement applies to material or equipment that is acquired for a specific Federal-aid highway project. 46 CFR 381.7. It is not applicable to goods or materials that come into inventories independent of an FHWA funded-contract.

When oceanic shipments (or shipments across the Great Lakes) are necessary for materials or equipment acquired for a specific Federal-aid construction project, the bidder, proposer, contractor, subcontractor, or vendor agrees:

1. To utilize privately owned United States-flag commercial vessels to ship at least 50 percent of the gross tonnage (computed separately for dry bulk carriers, dry cargo liners, and tankers) involved, whenever shipping any equipment, material, or commodities pursuant to this contract, to the extent such vessels are available at fair and reasonable rates for United States-flag commercial vessels. 46 CFR 381.7.

2. To furnish within 20 days following the date of loading for shipments originating within the United States or within 30 working days following the date of loading for shipments originating outside the United States, a legible copy of a rated, 'on-board' commercial ocean bill-of-lading in English for each shipment of cargo described in paragraph (b)(1) of this section to both the Contracting Officer (through the prime contractor in the case of subcontractor bills-of-lading) and to the Office of Cargo and Commercial Sealift (MAR-620), Maritime Administration, Washington, DC 20590. (MARAD requires copies of the ocean carrier's (master) bills of lading, certified onboard, dated, with rates and charges. These bills of lading may contain business sensitive information and therefore may be submitted directly to MARAD by the Ocean Transportation Intermediary on behalf of the contractor). 46 CFR 381.7.

**ATTACHMENT A - EMPLOYMENT AND MATERIALS
PREFERENCE FOR APPALACHIAN DEVELOPMENT
HIGHWAY SYSTEM OR APPALACHIAN LOCAL ACCESS
ROAD CONTRACTS (23 CFR 633, Subpart B, Appendix B)**

This provision is applicable to all Federal-aid projects funded under the Appalachian Regional Development Act of 1965.

1. During the performance of this contract, the contractor undertaking to do work which is, or reasonably may be, done as on-site work, shall give preference to qualified persons who regularly reside in the labor area as designated by the DOL wherein the contract work is situated, or the subregion, or the Appalachian counties of the State wherein the contract work is situated, except:

a. To the extent that qualified persons regularly residing in the area are not available.

b. For the reasonable needs of the contractor to employ supervisory or specially experienced personnel necessary to assure an efficient execution of the contract work.

c. For the obligation of the contractor to offer employment to present or former employees as the result of a lawful collective bargaining contract, provided that the number of nonresident persons employed under this subparagraph (1c) shall not exceed 20 percent of the total number of employees employed by the contractor on the contract work, except as provided in subparagraph (4) below.

2. The contractor shall place a job order with the State Employment Service indicating (a) the classifications of the laborers, mechanics and other employees required to perform the contract work, (b) the number of employees required in each classification, (c) the date on which the participant estimates such employees will be required, and (d) any other pertinent information required by the State Employment Service to complete the job order form. The job order may be placed with the State Employment Service in writing or by telephone. If during the course of the contract work, the information submitted by the contractor in the original job order is substantially modified, the participant shall promptly notify the State Employment Service.

3. The contractor shall give full consideration to all qualified job applicants referred to him by the State Employment Service. The contractor is not required to grant employment to any job applicants who, in his opinion, are not qualified to perform the classification of work required.

4. If, within one week following the placing of a job order by the contractor with the State Employment Service, the State Employment Service is unable to refer any qualified job applicants to the contractor, or less than the number requested, the State Employment Service will forward a certificate to the contractor indicating the unavailability of applicants. Such certificate shall be made a part of the contractor's permanent project records. Upon receipt of this certificate, the contractor may employ persons who do not normally reside in the labor area to fill positions covered by the certificate, notwithstanding the provisions of subparagraph (1c) above.

5. The provisions of 23 CFR 633.207(e) allow the contracting agency to provide a contractual preference for the use of mineral resource materials native to the Appalachian region.

6. The contractor shall include the provisions of Sections 1 through 4 of this Attachment A in every subcontract for work which is, or reasonably may be, done as on-site work.

STANDARD SPECIAL PROVISION**ON-THE-JOB TRAINING**

(10-16-07) (Rev. 4-21-15)

Z-10

Description

The North Carolina Department of Transportation will administer a custom version of the Federal On-the-Job Training (OJT) Program, commonly referred to as the Alternate OJT Program. All contractors (existing and newcomers) will be automatically placed in the Alternate Program. Standard OJT requirements typically associated with individual projects will no longer be applied at the project level. Instead, these requirements will be applicable on an annual basis for each contractor administered by the OJT Program Manager.

On the Job Training shall meet the requirements of 23 CFR 230.107 (b), 23 USC – Section 140, this provision and the On-the-Job Training Program Manual.

The Alternate OJT Program will allow a contractor to train employees on Federal, State and privately funded projects located in North Carolina. However, priority shall be given to training employees on NCDOT Federal-Aid funded projects.

Minorities and Women

Developing, training and upgrading of minorities and women toward journeyman level status is a primary objective of this special training provision. Accordingly, the Contractor shall make every effort to enroll minority and women as trainees to the extent that such persons are available within a reasonable area of recruitment. This training commitment is not intended, and shall not be used, to discriminate against any applicant for training, whether a member of a minority group or not.

Assigning Training Goals

The Department, through the OJT Program Manager, will assign training goals for a calendar year based on the contractors' past three years' activity and the contractors' anticipated upcoming year's activity with the Department. At the beginning of each year, all contractors eligible will be contacted by the Department to determine the number of trainees that will be assigned for the upcoming calendar year. At that time the Contractor shall enter into an agreement with the Department to provide a self-imposed on-the-job training program for the calendar year. This agreement will include a specific number of annual training goals agreed to by both parties. The number of training assignments may range from 1 to 15 per contractor per calendar year. The Contractor shall sign an agreement to fulfill their annual goal for the year.\

Training Classifications

The Contractor shall provide on-the-job training aimed at developing full journeyman level workers in the construction craft/operator positions. Preference shall be given to providing training in the following skilled work classifications:

Equipment Operators	Office Engineers
Truck Drivers	Estimators
Carpenters	Iron / Reinforcing Steel Workers
Concrete Finishers	Mechanics
Pipe Layers	Welders

The Department has established common training classifications and their respective training requirements that may be used by the contractors. However, the classifications established are not all-inclusive. Where the training is oriented toward construction applications, training will be allowed in lower-level management positions such as office engineers and estimators. Contractors shall submit new classifications for specific job functions that their employees are performing. The Department will review and recommend for acceptance to FHWA the new classifications proposed by contractors, if applicable. New classifications shall meet the following requirements:

Proposed training classifications are reasonable and realistic based on the job skill classification needs, and

The number of training hours specified in the training classification is consistent with common practices and provides enough time for the trainee to obtain journeyman level status.

The Contractor may allow trainees to be trained by a subcontractor provided that the Contractor retains primary responsibility for meeting the training and this provision is made applicable to the subcontract. However, only the Contractor will receive credit towards the annual goal for the trainee.

Where feasible, 25 percent of apprentices or trainees in each occupation shall be in their first year of apprenticeship or training. The number of trainees shall be distributed among the work classifications on the basis of the contractor's needs and the availability of journeymen in the various classifications within a reasonable area of recruitment.

No employee shall be employed as a trainee in any classification in which they have successfully completed a training course leading to journeyman level status or in which they have been employed as a journeyman.

Records and Reports

The Contractor shall maintain enrollment, monthly and completion reports documenting company compliance under these contract documents. These documents and any other information as requested shall be submitted to the OJT Program Manager.

Upon completion and graduation of the program, the Contractor shall provide each trainee with a certification Certificate showing the type and length of training satisfactorily completed.

Trainee Interviews

All trainees enrolled in the program will receive an initial and Trainee/Post graduate interview conducted by the OJT program staff.

Trainee Wages

Contractors shall compensate trainees on a graduating pay scale based upon a percentage of the prevailing minimum journeyman wages (Davis-Bacon Act). Minimum pay shall be as follows:

60 percent	of the journeyman wage for the first half of the training period
75 percent	of the journeyman wage for the third quarter of the training period
90 percent	of the journeyman wage for the last quarter of the training period

In no instance shall a trainee be paid less than the local minimum wage. The Contractor shall adhere to the minimum hourly wage rate that will satisfy both the NC Department of Labor (NCDOL) and the Department.

Achieving or Failing to Meet Training Goals

The Contractor will be credited for each trainee employed by him on the contract work who is currently enrolled or becomes enrolled in an approved program and who receives training for at least 50 percent of the specific program requirement. Trainees will be allowed to be transferred between projects if required by the Contractor's scheduled workload to meet training goals.

If a contractor fails to attain their training assignments for the calendar year, they may be taken off the NCDOT's Bidders List.

Measurement and Payment

No compensation will be made for providing required training in accordance with these contract documents.

STANDARD SPECIAL PROVISION
MINIMUM WAGES
GENERAL DECISION NC20240090 01/05/2024 NC90

Z-090

Date: January 5, 2024

General Decision Number: NC20240090 01/05/2024 NC90

Superseded General Decision Numbers: NC20230090

State: North Carolina

Construction Type: HIGHWAY

COUNTIES:

Brunswick	Greene	Onslow
Cumberland	Hoke	Pender
Currituck	Johnston	Pitt
Edgecombe	Nash	Wake
Franklin	New Hanover	Wayne

HIGHWAY CONSTRUCTION PROJECTS (excluding tunnels, building structures in rest area projects & railroad construction; bascule, suspension & spandrel arch bridges designed for commercial navigation, bridges involving marine construction; and other major bridges).

Note: Contracts subject to the Davis-Bacon Act are generally required to pay at least the applicable minimum wage rate required under Executive Order 14026 or Executive Order 13658. Please note that these Executive Orders apply to covered contracts entered into by the federal government that are subject to the Davis-Bacon Act itself, but do not apply to contracts subject only to the Davis-Bacon Related Acts, including those set forth at 29 CFR 5.1(a)(1).

<p>If the contract is entered into on or after January 30, 2022, or the contract is renewed or extended (e.g., an option is exercised) on or after January 30, 2022:</p>	<p>Executive Order 14026 generally applies to the contract.</p> <p>The contractor must pay all covered workers at least \$17.20 per hour (or the applicable wage rate listed on this wage determination, if it is higher) for all hours spent performing on that contract in 2024.</p>
<p>If the contract was awarded on or between January 1, 2015 and January 29, 2022, and the contract is not renewed or extended on or after January 30, 2022:</p>	<p>Executive Order 13658 generally applies to the contract.</p> <p>The contractor must pay all covered workers at least \$12.90 per hour (or the applicable wage rate listed on this wage determination, if it is higher) for all hours spent performing on that contract in 2024.</p>

The applicable Executive Order minimum wage rate will be adjusted annually. If this contract is covered by one of the Executive Orders and a classification considered necessary for performance of work on the contract does not appear on this wage determination, the contractor must still submit a conformance request.

Additional information on contractor requirements and worker protections under the Executive Orders is available at <http://www.dol.gov/whd/govcontracts>.

Modification Number
0

Publication Date
01/05/2024

SUNC2014-005 11/17/2014

	Rates	Fringes
BLASTER	21.04	
CARPENTER	13.72 **	
CEMENT MASON/CONCRETE FINISHER	14.48 **	
ELECTRICIAN		
Electrician	17.97	
Telecommunications Technician	16.79	.63
IRONWORKER	16.02 **	
LABORER		
Asphalt Raker and Spreader	12.46 **	
Asphalt Screed/Jackman	14.33 **	
Carpenter Tender	12.88 **	
Cement Mason/Concrete Finisher Tender	12.54 **	
Common or General	10.20 **	
Guardrail/Fence Installer	12.87 **	
Pipelayer	12.17 **	
Traffic Signal/Lighting Installer	14.89 **	
PAINTER		
Bridge	24.57	
POWER EQUIPMENT OPERATORS		
Asphalt Broom Tractor	11.85 **	
Bulldozer Fine	17.04 **	
Bulldozer Rough	14.34 **	
Concrete Grinder/Groover	20.34	2.30
Crane Boom Trucks	20.54	
Crane Other	20.08	
Crane Rough/All-Terrain	20.67	
Drill Operator Rock	14.38 **	
Drill Operator Structure	21.14	
Excavator Fine	16.60	
Excavator Rough	14.00 **	
Grader/Blade Fine	18.47	
Grader/Blade Rough	14.62 **	
Loader 2 Cubic Yards or Less	13.76 **	
Loader Greater Than 2 Cubic Yards	14.14 **	
Material Transfer Vehicle (Shuttle Buggy)	15.18 **	
Mechanic	17.55	
Milling Machine	15.36 **	
Off-Road Hauler/Water Tanker	11.36 **	
Oiler/Greaser	13.55 **	
Pavement Marking Equipment	12.11 **	
Paver Asphalt	15.59 **	
Paver Concrete	18.20	
Roller Asphalt Breakdown	12.45 **	
Roller Asphalt Finish	13.85 **	

	Rates	Fringes
Roller Other	11.36 **	
Scraper Finish	12.71 **	
Scraper Rough	11.35 **	
Slip Form Machine	16.50	
Tack Truck/Distributor Operator	14.52 **	
TRUCK DRIVER		
GVWR of 26,000 Lbs or Less	11.12 **	
GVWR of 26,001 Lbs or Greater	12.37 **	

Welders – Receive rate prescribed for craft performing operation to which welding is incidental.

** Workers in this classification may be entitled to a higher minimum wage under Executive Order 14026 (\$17.20) or 13658 (\$12.90). Please see the Note at the top of the wage determination for more information. Please also note that the minimum wage requirements of Executive Order 14026 are not currently being enforced as to any contract or subcontract to which the states of Texas, Louisiana, or Mississippi, including their agencies, are a party.

Note: Executive Order (EO) 13706, Establishing Paid Sick Leave for Federal Contractors applies to all contracts subject to the Davis-Bacon Act for which the contract is awarded (and any solicitation was issued) on or after January 1, 2017. If this contract is covered by the EO, the contractor must provide employees with 1 hour of paid sick leave for every 30 hours they work, up to 56 hours of paid sick leave each year. Employees must be permitted to use paid sick leave for their own illness, injury or other health-related needs, including preventive care; to assist a family member (or person who is like family to the employee) who is ill, injured, or has other health-related needs, including preventive care; or for reasons resulting from, or to assist a family member (or person who is like family to the employee) who is a victim of, domestic violence, sexual assault, or stalking. Additional information on contractor requirements and worker protections under the EO is available at <https://www.dol.gov/agencies/whd/government-contracts>.

Unlisted classifications needed for work not included within the scope of the classifications listed may be added after award only as provided in the labor standards contract clauses (29 CFR 5.5(a)(1)(iii)).

The body of each wage determination lists the classification and wage rates that have been found to be prevailing for the cited type(s) of construction in the area covered by the wage determination. The classifications are listed in alphabetical order of "identifiers" that indicate whether the particular rate is a union rate (current union negotiated rate for local), a survey rate (weighted average rate) or a union average rate (weighted union average rate).

Union Rate Identifiers

A four letter classification abbreviation identifier enclosed in dotted lines beginning with characters other than "SU" or "UAVG" denotes that the union classification and rate were prevailing for that classification in the survey. Example: PLUM0198-005 07/01/2014. PLUM is an abbreviation identifier of the union which prevailed in the survey for this classification, which in this example would be Plumbers. 0198 indicates the local union number or district council number where applicable, i.e., Plumbers Local 0198. The next number, 005 in the example, is an

internal number used in processing the wage determination. 07/01/2014 is the effective date of the most current negotiated rate, which in this example is July 1, 2014.

Union prevailing wage rates are updated to reflect all rate changes in the collective bargaining agreement (CBA) governing this classification and rate.

Survey Rate Identifiers

Classifications listed under the "SU" identifier indicate that no one rate prevailed for this classification in the survey and the published rate is derived by computing a weighted average rate based on all the rates reported in the survey for that classification. As this weighted average rate includes all rates reported in the survey, it may include both union and non-union rates. Example: SULA2012-007 5/13/2014. SU indicates the rates are survey rates based on a weighted average calculation of rates and are not majority rates. LA indicates the State of Louisiana. 2012 is the year of survey on which these classifications and rates are based. The next number, 007 in the example, is an internal number used in producing the wage determination. 5/13/2014 indicates the survey completion date for the classifications and rates under that identifier.

Survey wage rates are not updated and remain in effect until a new survey is conducted.

Union Average Rate Identifiers

Classification(s) listed under the UAVG identifier indicate that no single majority rate prevailed for those classifications; however, 100% of the data reported for the classifications was union data. EXAMPLE: UAVG-OH-0010 08/29/2014. UAVG indicates that the rate is a weighted union average rate. OH indicates the state. The next number, 0010 in the example, is an internal number used in producing the wage determination. 08/29/2014 indicates the survey completion date for the classifications and rates under that identifier.

A UAVG rate will be updated once a year, usually in January of each year, to reflect a weighted average of the current negotiated/CBA rate of the union locals from which the rate is based.

WAGE DETERMINATION APPEALS PROCESS

1.) Has there been an initial decision in the matter? This can be:

- * an existing published wage determination
- * a survey underlying a wage determination
- * a Wage and Hour Division letter setting forth a position on a wage determination matter
- * a conformance (additional classification and rate) ruling

On survey related matters, initial contact, including requests for summaries of surveys, should be with the Wage and Hour National Office because National Office has responsibility for the David-Bacon survey program. If the response from this initial contact is not satisfactory, then the process described in 2.) and 3.) should be followed.

With regard to any other matter not yet ripe for the formal process described here, initial contact should be with the Branch of Construction Wage Determinations. Write to:

Branch of Construction Wage Determinations
Wage and Hour Division

U. S. Department of Labor
200 Constitution Avenue, N.W.
Washington, D.C. 20210

- 2.) If the answer to the question in 1.) is yes, then an interested party (those affected by the action) can request review and reconsideration from the Wage and Hour Administrator (See 29 CFR Part 1.8 and 29 CFR Part 7). Write to:

Wage and Hour Administrator
U.S. Department of Labor
200 Constitution Avenue, N.W.
Washington, D.C. 20210

The request should be accompanied by a full statement of the interested party's position and by any information (wage payment data, project description, area practice material, etc.) that the requestor considers relevant to the issue.

- 3.) If the decision of the Administrator is not favorable, an interested party may appeal directly to the Administrative Review Board (formerly the Wage Appeals Board). Write to:

Administrative Review Board
U.S. Department of Labor
200 Constitution Avenue, N.W.
Washington, D.C. 20210

- 4.) All decisions by the Administrative Review Board are final.

END OF GENERAL DECISION

P-5715

GT-1.1

Wake County

MECHANICALLY STABILIZED EARTH RETAINING WALLS**(SPECIAL)****1.0 GENERAL**

Construct mechanically stabilized earth (MSE) retaining walls consisting of steel or geosynthetic reinforcement in the reinforced zone connected to vertical facing elements. Use precast concrete panels for vertical facing elements and coarse aggregate in the reinforced zone unless noted otherwise in the plans. Provide reinforced concrete coping and pile sleeves as required. Design and construct MSE retaining walls based on actual elevations and wall dimensions in accordance with the contract and accepted submittals. Use a prequalified MSE Wall Installer to construct MSE retaining walls.

Define MSE wall terms as follows:

Geosynthetic Reinforcement – Polyester Type (PET), HDPE or Polypropylene (PP) geosynthetic grids, i.e., geogrid reinforcement or polymer straps, i.e., geostrip reinforcement,

Geogrid – PET, HDPE or PP geogrid,

Reinforcement – Steel or geosynthetic reinforcement,

Aggregate – Coarse or fine aggregate,

Panel – Precast concrete panel,

Coping – Precast or CIP concrete coping,

Design Height (H) – Wall height + wall embedment as shown in the plans,

MSE Wall – Mechanically stabilized earth retaining wall,

MSE Wall Vendor – Vendor supplying the chosen MSE wall system,

MSE Panel Wall – MSE wall with panels,

MSE Segmental Wall – MSE wall with segmental retaining wall (SRW) units and

Abutment Wall – MSE wall with bridge foundations in any portion of the reinforced zone or an MSE wall connected to an abutment wall (even if bridge foundations only penetrate a small part of the reinforced zone, the entire MSE wall is considered an abutment wall).

For bridge approach fills behind end bents with MSE abutment walls, design reinforcement connected to end bent caps in accordance with the plans and this provision.

Use an approved MSE wall system in accordance with the plans and any NCDOT restrictions or exceptions for the chosen system. Value engineering proposals for other MSE wall systems will not be considered. Do not use MSE wall systems with an “approved for provisional use” status for MSE walls with design heights greater than 35 ft or walls supporting or adjacent to railroads or interstate highways. The list of approved MSE wall systems with approval status is available from:

connect.ncdot.gov/resources/Geological/Pages/Products.aspx

2.0 MATERIALS

Refer to the *Standard Specifications*.

Item	Section
Aggregate	1014
Asphalt Concrete Base Course, Type B25.0C	620
Corrugated Steel Pipe	1032-3

P-5715

GT-1.2

Wake County

Epoxy, Type 3A	1081
Geosynthetics	1056
Grout, Type 3	1003
Joint Materials	1028
Portland Cement Concrete, Class A	1000
Precast Retaining Wall Coping	1077
Reinforcing Steel	1070
Retaining Wall Panels	1077
Segmental Retaining Wall Units	1040-4
Select Material, Class V	1016
Shoulder Drain Materials	816-2
Steel Pipe	1036-4(A)

Use galvanized corrugated steel pipe with a zinc coating weight of 2 oz/sf (G200) for pile sleeves. Provide Type 2 geotextile for filtration and separation geotextiles. Use Class A concrete for CIP coping, leveling concrete and pads. Use galvanized steel pipe, threaded rods and nuts for the PET geogrid reinforcement vertical obstruction detail. Provide galvanized Grade 36 anchor rods and Grade A hex nuts that meet AASHTO M 314 for threaded rods and nuts.

Use panels and SRW units from producers approved by the Department and licensed by the MSE Wall Vendor. Provide steel strip connectors embedded in panels fabricated from structural steel that meets the requirements for steel strip reinforcement. Unless required otherwise in the contract, produce panels with a smooth flat final finish that meets Article 1077-11 of the *Standard Specifications*. Accurately locate and secure reinforcement connectors in panels and maintain required concrete cover. Produce panels within 1/4" of the panel dimensions shown in the accepted submittals.

Damaged panels or SRW units with excessive discoloration, chips or cracks as determined by the Engineer will be rejected. Do not damage reinforcement connection devices or mechanisms in handling or storing panels and SRW units.

Store steel materials on blocking at least 12" above the ground and protect it at all times from damage; and when placing in the work make sure it is free from dirt, dust, loose mill scale, loose rust, paint, oil or other foreign materials. Handle and store geosynthetics in accordance with Article 1056-2 of the *Standard Specifications*. Load, transport, unload and store MSE wall materials so materials are kept clean and free of damage. Bent, damaged or defective materials will be rejected.

A. Aggregate

Use standard size No. 57, 57M, 67 or 78M that meets Table 1005-1 of the *Standard Specifications* for coarse aggregate and the following for fine aggregate:

1. Standard size No. 1S, 2S, 2MS or 4S that meets Table 1005-2 of the *Standard Specifications* or
2. Gradation that meets Class III, Type 3 select material in accordance with Article

1016-3 of the *Standard Specifications*.

Fine aggregate is exempt from mortar strength in Subarticle 1014-1(E) of the *Standard Specifications*. Use fine aggregate with a maximum organic content of 1.0%. Provide aggregate with chemical properties that meet the following requirements:

AGGREGATE pH REQUIREMENTS		
Aggregate Type (in reinforced zone)	Reinforcement or Connector Material	pH
Coarse or Fine	Steel	5 – 10
Coarse or Fine	Geosynthetic	4.5 – 9

AGGREGATE ELECTROCHEMICAL REQUIREMENTS (Steel Reinforcement/Connector Materials Only)			
Aggregate Type (in reinforced zone)	Resistivity	Chlorides	Sulfates
Coarse	$\geq 5,000 \Omega \cdot \text{cm}$	$\leq 100 \text{ ppm}$	$\leq 200 \text{ ppm}$
Fine	$\geq 3,000 \Omega \cdot \text{cm}$		

Use aggregate from sources participating in the Department's Aggregate QC/QA Program as described in Section 1006 of the *Standard Specifications*. Sample and test aggregate in accordance with the *Mechanically Stabilized Earth Wall Aggregate Sampling and Testing Procedures*.

B. Reinforcement

Provide steel or geosynthetic reinforcement supplied by the MSE Wall Vendor or a manufacturer approved or licensed by the vendor. Use reinforcement approved for the chosen MSE wall system. The list of approved reinforcement for each MSE wall system is available from the website shown elsewhere in this provision.

1. Steel Reinforcement

Provide Type 1 material certifications in accordance with Article 106-3 of the *Standard Specifications* for steel reinforcement. Use welded wire grid reinforcement ("mesh", "mats" and "ladders") that meet Article 1070-3 of the *Standard Specifications* and steel strip reinforcement ("straps") that meet ASTM A572, A1011 or A463. Use 10 gauge or heavier structural steel Grade 50 or higher for steel strip reinforcement. Galvanize steel reinforcement in accordance with Section 1076 of the *Standard Specifications* or provide aluminized steel strip reinforcement that meet ASTM A463, Type 2-100.

2. Geosynthetic Reinforcement

Provide Type 1 material certifications and identify geosynthetic reinforcement in accordance with Article 1056-3 of the *Standard Specifications*. Define machine

direction (MD) and cross-machine direction (CD) for geogrids per Article 1056-3 of the *Standard Specifications*.

Use HDPE or PP geogrid for geogrid reinforcement cast into backwalls of end bent caps. Use PET or HDPE geogrid for geogrid reinforcement connected directly to SRW units and only HDPE geogrid for geogrid reinforcement cast into panels.

Provide extruded geogrids produced in the United States and manufactured from punched and drawn polypropylene sheets for PP geogrids that meet the following:

PP GEOGRID REQUIREMENTS		
Property	Requirement¹	Test Method
Aperture Dimensions ²	1" x 1.2"	N/A
Minimum Rib Thickness ²	0.07" x 0.07"	N/A
Tensile Strength @ 2% Strain ²	580 lb/ft x 690 lb/ft	ASTM D6637, Method B
Tensile Strength @ 5% Strain ²	1,200 lb/ft x 1,370 lb/ft	
Ultimate Tensile Strength ²	1,850 lb/ft x 2,050 lb/ft	
Junction Efficiency ³ (MD)	93%	ASTM D7737
Flexural Rigidity ⁴	2,000,000 mg-cm	ASTM D7748
Aperture Stability Modulus ⁵	0.55 lb-ft/degrees	ASTM D7864
UV Stability (Retained Strength)	100% (after 500 hr of exposure)	ASTM D4355

- MARV per Article 1056-3 of the *Standard Specifications* except dimensions and thickness are nominal.
- Requirement for MD x CD.
- Junction Efficiency (%) = (Average Junction Strength ($X_{j\text{ave}}$) / Ultimate Tensile Strength in the MD from ASTM D6637, Method A) \times 100.
- Test specimens two ribs wide, with transverse ribs cut flush with exterior edges of longitudinal ribs, and sufficiently long to enable measurement of the overhang dimension.
- Applied moment of 17.7 lb-inch (torque increment).

C. Bearing Pads

For MSE panel walls, use preformed ethylene propylene diene monomer rubber bearing pads that meet ASTM D2000 Grade 2, Type A, Class A with a durometer hardness of 60 or 80 ± 5 . Provide bearing pads with thicknesses that meet the following:

BEARING PAD THICKNESS	
Facing Area per Panel (A)	Minimum Pad Thickness After Compression (based on 2 times panel weight above pads)
$A \leq 30$ sf	1/2"
$30 \text{ sf} < A \leq 75$ sf	3/4"

D. Miscellaneous Components

Miscellaneous components may include connectors (e.g., anchors, bars, clamps, pins,

plates, ties, etc.), fasteners (e.g., bolts, nuts, washers, etc.) and any other MSE wall components not included above. Use 10 gauge or heavier structural steel Grade 50 or higher for steel strip panel anchors and connectors. Galvanize steel components in accordance with Section 1076 of the *Standard Specifications*. Provide miscellaneous components approved for the chosen MSE wall system. The list of approved miscellaneous components for each MSE wall system is available from the website shown elsewhere in this provision.

3.0 PRECONSTRUCTION REQUIREMENTS

A. MSE Wall Surveys

The Retaining Wall Plans show a plan view, typical sections, details, notes and an elevation or profile view (wall envelope) for each MSE wall. Before beginning MSE wall design, survey existing ground elevations shown in the plans and other elevations in the vicinity of MSE wall locations as needed. For proposed slopes above or below MSE walls, survey existing ground elevations to at least 10 ft beyond slope stake points. Based on these elevations, finished grades and actual MSE wall dimensions and details, submit revised wall envelopes for acceptance. Use accepted wall envelopes for design.

B. MSE Wall Designs

For MSE wall designs, submit PDF files of working drawings and design calculations at least 30 days before the preconstruction meeting. Note name and NCDOT ID number of the panel or SRW unit production facility on working drawings. Do not begin MSE wall construction until a design submittal is accepted.

Use a prequalified MSE Segmental Wall Design Consultant to design MSE segmental walls. Provide MSE segmental wall designs sealed by a Design Engineer approved as a Geotechnical Engineer (key person) for the MSE Segmental Wall Design Consultant. Provide MSE panel wall designs sealed by a Design Engineer licensed in the state of North Carolina and employed or contracted by the MSE Wall Vendor.

Design MSE walls in accordance with the plans, *AASHTO LRFD Bridge Design Specifications* and any NCDOT restrictions for the chosen MSE wall system unless otherwise required. For abutment walls only, design MSE walls for seismic if wall sites meet either or both of the following:

- Wall site is in seismic zone 2 based on Figure 2-1 of the *Structure Design Manual*,
- Wall site is classified as AASHTO Site Class E, as noted in the plans, and is in or west of Pender, Duplin, Wayne, Johnston, Wake, Durham or Person County.

Connect reinforcement to panels or SRW units with methods or devices approved for the chosen system. Use a uniform reinforcement length throughout the height of the wall of at least $0.7H$ or 6 ft, whichever is longer, unless noted otherwise in the plans. Extend the reinforced zone at least 6" beyond end of reinforcement. Do not locate drains, the reinforced zone or leveling pads outside right-of-way or easement limits.

Use the simplified method for determining maximum reinforcement loads and design parameters approved for the chosen MSE wall system or default values in accordance with the AASHTO LRFD specifications. Design steel components including reinforcement and connectors for the design life noted in the plans and aggregate type in the reinforced zone. If an MSE wall system with geosynthetic reinforcement includes any steel parts for obstructions, bin walls, connections or other components, design steel exposed to aggregate for the design life noted in the plans and aggregate type in the reinforced zone. Use “loss of galvanizing” metal loss rates for nonaggressive backfill in accordance with the AASHTO LRFD specifications for galvanized and aluminized steel and metal loss rates for carbon steel in accordance with the following:

CARBON STEEL CORROSION RATES	
Aggregate Type (in reinforced zone)	Carbon Steel Loss Rate (after coating depletion)
Coarse	0.47 mil/year
Fine (except abutment walls)	0.58 mil/year
Fine (abutment walls)	0.70 mil/year

For PET or HDPE geogrid and geostrip reinforcement and geosynthetic connectors, use approved geosynthetic properties for the design life noted in the plans and aggregate type in the reinforced zone. For geogrid reinforcement connected to end bent caps, embed reinforcement or connectors in caps as shown in the plans. For PP geogrid reinforcement connected to end bent caps, use the following design parameters for the aggregate type in the reinforced approach fill.

PP GEOGRID REINFORCEMENT DESIGN PARAMETERS				
Aggregate Type (in reinforced zone)	T_{al} (MD)	F*	α	ρ
Coarse	400 lb/ft	0.70	0.8	32.0°
Fine	428 lb/ft	0.54	0.8	28.35°

Where,

- T_{al} = long-term design strength (LTDS),
 F* = pullout resistance factor,
 α = scale effect correction factor and
 ρ = soil-geogrid friction angle.

When noted in the plans, design MSE walls for a live load (traffic) surcharge of 250 psf in accordance with Figure C11.5.6-3(b) of the AASHTO LRFD specifications. For steel beam guardrail with 8 ft posts or concrete barrier rail above MSE walls, analyze top 2 reinforcement layers for traffic impact loads in accordance with Section 7.2 of *FHWA Design and Construction of Mechanically Stabilized Earth Walls and Reinforced Soil Slopes – Volume I* (Publication No. FHWA-NHI-10-024) except use the following for geosynthetic reinforcement rupture:

$$\phi T_{al} R_c \geq T_{max} + (T_I / RF_{CR})$$

Where,

P-5715

GT-1.7

Wake County

- ϕ = resistance factor for tensile resistance in accordance with Section 7.2.1 of the FHWA MSE wall manual,
- T_{al} = long-term geosynthetic design strength approved for chosen MSE wall system,
- R_c = reinforcement coverage ratio = 1 for continuous geosynthetic reinforcement,
- T_{max} = factored static load in accordance with Section 7.2 of the FHWA MSE wall manual,
- T_I = factored impact load in accordance with Section 7.2 of the FHWA MSE wall manual and
- RF_{CR} = creep reduction factor approved for chosen MSE wall system.

When shown in the plans for abutment walls, use pile sleeves to segregate piles from aggregate in the reinforced zone. If existing or future obstructions such as foundations, guardrail, fence or handrail posts, moment slabs, pavements, pipes, inlets or utilities will interfere with reinforcement, maintain a clearance of at least 3" between obstructions and reinforcement unless otherwise approved. Design reinforcement for obstructions and locate reinforcement layers so all of reinforcement length is within 3" of corresponding connection elevations. Modify PET geogrid reinforcement for obstructions as shown in the plans.

Use 6" thick CIP unreinforced concrete leveling pads beneath panels and SRW units that are continuous at steps and extend at least 6" in front of and behind bottom row of panels or SRW units. Unless required otherwise in the plans, embed top of leveling pads in accordance with the following requirements:

WALL EMBEDMENT REQUIREMENTS		
Front Slope¹ (H:V)	Minimum Embedment Depth² (whichever is greater)	
6:1 or flatter (except abutment walls)	H/20	1 ft for H ≤ 10 ft 2 ft for H > 10 ft
6:1 or flatter (abutment walls)	H/10	2 ft
> 6:1 to < 3:1	H/10	2 ft
3:1 to 2:1	H/7	2 ft

1. Front slope is as shown in the plans.
2. H is the maximum design height per wall.

When noted in the plans, locate a continuous aggregate shoulder drain along the base of the reinforced zone behind the aggregate. Provide wall drainage systems consisting of drains and outlet components in accordance with Roadway Standard Drawing No. 816.02.

For MSE panel walls, cover joints at back of panels with filtration geotextiles at least 12" wide. If the approval of the chosen MSE wall system does not require a minimum number of bearing pads, provide the number of pads in accordance with the following:

NUMBER OF BEARING PADS

Facing Area per Panel (A)	Maximum Height of Wall Above Horizontal Panel Joint	Minimum Number of Pads per Horizontal Panel Joint
$A \leq 30$ sf	25 ft	2
	35 ft ¹	3
$30 \text{ sf} < A \leq 75$ sf	25 ft	3
	35 ft ¹	4

1. Additional bearing pads per horizontal panel joint may be required for wall heights above joints greater than 35 ft.

For MSE segmental walls, coarse aggregate is required in any SRW unit core spaces and between and behind SRW units for a horizontal distance of at least 18".

Separation geotextiles are required between the aggregate and overlying fill sections. When noted in the plans, separation geotextiles are also required at the back of the reinforced zone between the aggregate and backfill or natural ground. When placing pavement sections directly on the reinforced zone, cap aggregate with 4" of asphalt concrete base course. Unless required otherwise in the plans, use reinforced concrete coping at top of walls that meets the following requirements:

1. Coping dimensions as shown in the plans,
2. At the Contractor's option, coping that is precast or CIP concrete for MSE panel walls unless CIP coping is required as shown in the plans,
3. CIP concrete coping for MSE segmental walls and
4. At the Contractor's option and when shown in the plans, CIP concrete coping that extends down back of panels or SRW units or connects to panels or SRW units with dowels.

For MSE segmental walls with dowels, attach dowels to top courses of SRW units in accordance with the following:

1. Set dowels in core spaces of SRW units filled with grout instead of coarse aggregate or
2. Embed adhesively anchored dowels in holes of solid SRW units with epoxy.

For MSE panel walls with coping, connect CIP concrete coping or leveling concrete for precast concrete coping to top row of panels with dowels cast into panels. When concrete barrier rail is required above MSE walls, use concrete barrier rail with moment slab as shown in the plans.

Submit working drawings and design calculations for acceptance in accordance with Article 105-2 of the *Standard Specifications*. Submit working drawings showing plan views, wall profiles with foundation pressures, typical sections with reinforcement and connection details, aggregate locations and types, geotextile locations and details of leveling pads, panels or SRW units, coping, bin walls, slip joints, pile sleeves, etc. If

necessary, include details on working drawings for concrete barrier rail with moment slab, reinforcement splices if allowed for the chosen MSE wall system, reinforcement connected to end bent caps, curved MSE walls with tight (short) radii and obstructions extending through walls or interfering with reinforcement, leveling pads, barriers or moment slabs. Submit design calculations for each wall section with different surcharge loads, geometry or material parameters. At least one analysis is required for each wall section with different reinforcement lengths. When designing MSE walls with computer software other than MSEW, use MSEW manufactured by ADAMA Engineering, Inc. to verify the design. At least one MSEW analysis is required per 100 ft of wall length with at least one analysis for the wall section with the longest reinforcement. Submit electronic MSEW input files and PDF output files with design calculations.

C. Preconstruction Meeting

Before starting MSE wall construction, hold a preconstruction meeting to discuss the construction and inspection of the MSE walls. If this meeting occurs before all MSE wall submittals have been accepted, additional preconstruction meetings may be required before beginning construction of MSE walls without accepted submittals. The Resident or Bridge Maintenance Engineer, Area Construction Engineer, Geotechnical Operations Engineer, Contractor and MSE Wall Installer Superintendent will attend preconstruction meetings.

4.0 CORROSION MONITORING

Corrosion monitoring is required for MSE walls with steel reinforcement. The Engineer will determine the number of monitoring locations and where to install the instrumentation. Contact M&T before beginning wall construction. M&T will provide the corrosion monitoring instrumentation kits and if necessary, assistance with installation.

5.0 SITE ASSISTANCE

Unless otherwise approved, an MSE Wall Vendor representative is required to assist and guide the MSE Wall Installer on-site for at least 8 hours when the first panels or SRW units and reinforcement layer are placed. If problems are encountered during construction, the Engineer may require the vendor representative to return to the site for a time period determined by the Engineer.

6.0 CONSTRUCTION METHODS

Control drainage during construction in the vicinity of MSE walls. Direct run off away from MSE walls, aggregate and backfill. Contain and maintain aggregate and backfill and protect material from erosion.

Excavate as necessary for MSE walls in accordance with the accepted submittals. If applicable and at the Contractor's option, use temporary shoring for wall construction instead of temporary slopes to construct MSE walls. Define "temporary shoring for wall construction" as temporary shoring not shown in the plans or required by the Engineer including shoring for OSHA reasons or the Contractor's convenience.

P-5715

GT-1.10

Wake County

Unless required otherwise in the plans, install foundations and if required, pile sleeves located in the reinforced zone before placing aggregate or reinforcement. Brace piles in the reinforced zone to maintain alignment when placing and compacting aggregate. Secure piles together with steel members near top of piles. Clamp members to piles instead of welding if bracing is at or below pile cut-off elevations.

Notify the Engineer when foundation excavation is complete. Do not place leveling pad concrete, aggregate or reinforcement until excavation dimensions and foundation material are approved.

Construct CIP concrete leveling pads at elevations and with dimensions shown in the accepted submittals and in accordance with Section 420 of the *Standard Specifications*. Cure leveling pads at least 24 hours before placing panels or SRW units.

Erect and support panels and stack SRW units so the final wall position is as shown in the accepted submittals. Stagger SRW units to create a running bond by centering SRW units over joints in the row below as shown in the accepted submittals. Space bearing pads in horizontal panel joints as shown in the accepted submittals and cover all panel joints with filtration geotextiles as shown in the accepted submittals. Attach filtration geotextiles to back of panels with adhesives, tapes or other approved methods.

Construct MSE walls with the following tolerances:

- A. SRW units are level from front to back and between units when checked with a 4 ft long level,
- B. Vertical joint widths are 1/4" maximum for SRW units and 3/4", $\pm 1/4$ " for panels,
- C. Final wall face is within 3/4" of horizontal and vertical alignment shown in the accepted submittals when measured along a 10 ft straightedge and
- D. Final wall plumbness (batter) is not negative (wall face leaning forward) and within 0.5° of vertical unless otherwise approved.

Place reinforcement at locations and elevations shown in the accepted submittals and within 3" of corresponding connection elevations. Install reinforcement with the direction shown in the accepted submittals. Before placing aggregate, pull geosynthetic reinforcement taut so it is in tension and free of kinks, folds, wrinkles or creases. Reinforcement may be spliced once per reinforcement length if shown in the accepted submittals. Use reinforcement pieces at least 6 ft long. Contact the Engineer when unanticipated existing or future obstructions such as foundations, guardrail, fence or handrail posts, pavements, pipes, inlets or utilities will interfere with reinforcement. To avoid obstructions, deflect, skew or modify reinforcement as shown in the accepted submittals.

Place aggregate in the reinforced zone in 8" to 10" thick lifts. Compact fine aggregate in accordance with Subarticle 235-3(C) of the *Standard Specifications*. Use only hand operated compaction equipment to compact aggregate within 3 ft of panels or SRW units. At a distance greater than 3 ft, compact aggregate with at least 4 passes of an 8 ton to 10 ton vibratory roller in a direction parallel to the wall face. Smooth wheeled or rubber tired rollers are also acceptable for compacting aggregate. Do not use sheepsfoot, grid rollers or other

P-5715

GT-1.11

Wake County

types of compaction equipment with feet. Do not displace or damage reinforcement when placing and compacting aggregate. End dumping directly on geosynthetics is not permitted. Do not operate heavy equipment on reinforcement until it is covered with at least 8" of aggregate. Replace any damaged reinforcement to the satisfaction of the Engineer.

Backfill for MSE walls outside the reinforced zone in accordance with Article 410-8 of the *Standard Specifications*. If a drain is required, install wall drainage systems as shown in the accepted submittals and in accordance with Section 816 of the *Standard Specifications*. If pile sleeves are required, fill sleeves with loose uncompacted sand before constructing end bent caps.

Install dowels as necessary for SRW units and place and construct coping and leveling concrete as shown in the accepted submittals. Construct leveling concrete in accordance with Section 420 of the *Standard Specifications*. Construct CIP concrete coping in accordance with Subarticle 452-4(B) of the *Standard Specifications*. When single faced precast concrete barrier is required in front of and against MSE walls, stop coping just above barrier so coping does not interfere with placing barrier up against wall faces. If the gap between a single faced barrier and wall face is wider than 2", fill gap with Class V select material (standard size No. 78M stone). Otherwise, fill gap with backer rod and seal joint between barrier and MSE wall with silicone sealant.

When separation geotextiles are required, overlap adjacent geotextiles at least 18" and hold geotextiles in place with wire staples or anchor pins as needed. Seal joints above and behind MSE walls between coping and concrete slope protection with silicone sealant.

7.0 MEASUREMENT AND PAYMENT

MSE Retaining Wall No. ___ will be measured and paid in square feet. MSE walls will be measured as the square feet of wall face area with the pay height equal to the difference between top of wall and top of leveling pad elevations. Define "top of wall" as top of coping or top of panels or SRW units for MSE walls without coping.

The contract unit price for *MSE Retaining Wall No. ___* will be full compensation for providing designs, submittals, labor, tools, equipment and MSE wall materials, excavating, hauling and removing excavated materials, placing and compacting aggregate and backfill material and supplying site assistance, leveling pads, panels, SRW units, reinforcement, aggregate, wall drainage systems, geotextiles, aggregate concrete base course, bearing pads, coping, miscellaneous components and any incidentals necessary to construct MSE walls. The contract unit price for *MSE Retaining Wall No. ___* will also be full compensation for reinforcement and connector design for reinforcement connected to end bent caps, wall modifications for obstructions, pile sleeves filled with sand, joints sealed with silicone sealant and gaps between barriers and MSE walls filled with backer rod or No. 78M stone, if required.

No separate payment will be made for temporary shoring for wall construction. Temporary shoring for wall construction will be incidental to the contract unit price for *MSE Retaining Wall No. ___*.

P-5715

GT-1.12

Wake County

The contract unit price for *MSE Retaining Wall No.* ___ does not include the cost for ditches, fences, handrails, barrier or guardrail associated with MSE walls as these items will be paid for elsewhere in the contract. The contract unit price for *MSE Retaining Wall No.* ___ also does not include the cost for constructing bridge approach fills behind end bents with MSE abutment walls. See *Bridge Approach Fills* provision for measurement and payment of Type 2A Bridge Approach Fills.

Where it is necessary to provide backfill material behind the reinforced zone from sources other than excavated areas or borrow sources used in connection with other work in the contract, payment for furnishing and hauling such backfill material will be paid as extra work in accordance with Article 104-7 of the *Standard Specifications*. Placing and compacting such backfill material is not considered extra work but is incidental to the work being performed.

Payment will be made under:

Pay Item

MSE Retaining Wall No. ___

Pay Unit

Square Foot



DocuSigned by:

Jeremy Hamm

462202304BBC46A...
5/14/2024

**PROJECT SPECIAL PROVISIONS
GEOENVIRONMENTAL**

CONTAMINATED SOIL (3/21/2024)

The Contractor’s attention is directed to the fact that soil contaminated with petroleum hydrocarbon compounds may exist within the project area. The suspected areas of contamination are indicated on corresponding plans sheets. Information relating to these potentially contaminated areas, sample locations, and investigation reports will be available at the following web address by navigating to the correct letting year and month then selecting, “Plans and Proposals”, “P-5715”, “Individual Sheets/520 GeoEnvironmental”:

<http://dotw-xfer01.dot.state.nc.us/dsplan/>

Petroleum contaminated soil may be encountered during any earthwork activities on the project. The Contractor shall only excavate those soils that the Engineer designates necessary to complete a particular task. The Engineer shall determine if soil is contaminated based on areas shown on the plans, petroleum odors, and unusual soil staining. Contaminated soil not required to be excavated is to remain in place and undisturbed. Undisturbed soil shall remain in place, whether contaminated or not. The Contractor shall transport all contaminated soil excavated from the project to a facility licensed to accept contaminated soil.

In the event that a stockpile is needed, the stockpile shall be created within the property boundaries of the source material and in accordance with the Diagram for Temporary Containment and Treatment of Petroleum-Contaminated Soil per North Carolina Department of Environmental Quality’s (NCDEQ) Division of Waste Management UST Section GUIDELINES FOR EX SITU PETROLEUM CONTAMINATED SOIL REMEDIATION. If the volume of contaminated material exceeds available space on site, the Contractor shall obtain a permit from the NCDEQ UST Section’s Regional Office for off-site temporary storage. The Contractor shall provide copies of disposal manifests completed per the disposal facilities requirements and weigh tickets to the Engineer.

Measurement and Payment:

The quantity of contaminated soil hauled and disposed of shall be the actual number of tons of material, which has been acceptably transported and weighed with certified scales as documented by disposal manifests and weigh tickets. The quantity of contaminated soil, measured as provided above, shall be paid for at the contract unit price per ton for “Hauling and Disposal of Petroleum Contaminated Soil”.

The above price and payment shall be full compensation for all work covered by this section, including, but not limited to stockpiling, loading, transportation, weighing, laboratory testing, disposal, equipment, decontamination of equipment, labor, and personal protective equipment.

Payment shall be made under:

Pay Item

Hauling and Disposal of Petroleum Contaminated Soil

Pay Unit

Ton

DocuSigned by
Ethan J. Caldwell
E9A1CFAC49A24
03/21/2024





DocuSigned by:
Renee B. Roach, PE
 3EB4360BD316431
 9-17-24

YIELD LINES PAVEMENT MARKING:

(1-15-24)(Rev. 9-17-24)

Description

Install yield lines in accordance with this special provision, Section 1205 of the *Standard Specifications* and as directed by the Engineer.

Materials

Refer to Division 10 of the *Standard Specifications*.

Item

Pavement Markings

Section

1087

The material for yield line pavement markings shall be thermoplastic, polyurea, type III cold applied plastic, or heated-in-place thermoplastic. Paint may be used for temporary yield line pavement markings.

Application

Refer to Section 1205 of the *Standard Specifications* and refer to Division 12 of the *Roadway Standard Drawings* on application of products used for yield lines. Yield lines shall be a row of solid white isosceles triangles with 3 to 12 inches between each one, 12 to 24 inches in width, with a height 1.5 times the width. Yield lines shall point towards traffic, and they shall be placed at least 4 feet before the nearest controlled crosswalk. For unsignalized midblock crosswalks, yield lines shall be placed with the Yield Here to Pedestrians sign located 20 to 50 feet in advance of the crosswalk. Yield lines are not symbols or characters.

Measurement and Payment

Yield Line _____ Pavement Marking, __", *__mils* (for thermoplastic, polyurea and heated-in-place thermoplastic material), *Yield Line Pavement Marking, Type III (__"*) (for Type 3 cold applied plastic material), or *Yield Line Pavement Marking, __"* (for paint material) will be measured and paid as the actual number of linear feet of pavement marking lines satisfactorily

placed and accepted by the Engineer. The quantity of lines will be the summation of the linear feet of solid line measured end-to-end of the line.

Payment will be made under:

Pay Item	Pay Unit
Yield Line _____ Pavement Marking, __", __mils	Linear Feet
Yield Line Cold Applied Plastic Pavement Marking, Type III (__")	Linear Feet
Yield Line Paint Pavement Marking, __"	Linear Feet

TC-1

P-5715

Wake County

WORK ZONE TRAFFIC CONTROL Project Special Provisions Table of Contents

Special Provision	Page
ADA Compliant Pedestrian Traffic Control Devices	TC-2



8/15/2024

TC-2

P-5715

Wake County

ADA COMPLIANT PEDESTRIAN TRAFFIC CONTROL DEVICES:

(10/31/2017) (Rev. 6/3/2022)

Description

Furnish, install, and maintain all ADA compliant pedestrian traffic control devices for existing pedestrian facilities that are disrupted, closed, or relocated by planned work activities.

The ADA compliant pedestrian traffic control devices used to either close, redirect, divert or detour pedestrian traffic are Pedestrian Channelizing Devices.

Construction Methods

The ADA compliant pedestrian traffic control devices involved in the closing or redirecting of pedestrians as designated on the Transportation Management Plan (TMP) shall be manufactured and assembled in accordance with the requirements of the Americans with Disabilities Act (ADA) and be on the NCDOT approved products list.

Pedestrian Channelizing Devices shall be manufactured and assembled to be connected as to eliminate any gaps that allow pedestrians to stray from the channelizing path. Any Pedestrian Channelizing Devices used to close or block a pedestrian facility shall have a “SIDEWALK CLOSED” sign affixed to it and any audible warning devices, if designated on the TMP.

Measurement and Payment

Pedestrian Channelizing Devices will be measured and paid as the maximum number of linear feet of *Pedestrian Channelizing Devices* furnished, acceptably placed, and in use at any one time during the life of the project.

No direct payment will be made for any sign affixed to a pedestrian channelizing device. Signs mounted to pedestrian channelizing devices will be considered incidental to the device.

Relocation, replacement, repair, maintenance, or disposal of *Pedestrian Channelizing Devices* will be incidental to the pay item.

Payment will be made under:

Pay Item	Pay Unit
Pedestrian Channelizing Devices	Linear Foot

Project: P-5715

UC-1

County: Wake

PROJECT SPECIAL PROVISIONS
Utility Construction



320 S. Academy Street, Cary, NC 27511
(919) 890-3876 / www.cjsconveyance.com
License No.: P-1611



DocuSigned by:
Chris Windley 9/11/2024
53EB9FF683754F4...

Where brand names and model numbers are specified in these Special Provisions or in the plans, the cited examples are used only to denote the quality standard of product desired and do not restrict bidders to a specific brand, make, or manufacturer. They are provided to set forth the general style, type, character, and quality of the product desired. Equivalent products will be acceptable.

The utility owner is the City of Raleigh. The contact person is Todd Toler and he can be reached by phone at 919-996-3476.

The provisions contained within these Utilities Construction Project Special Provisions modify the *Standard Specifications* only for materials used and work performed constructing water or sewer facilities owned by the City of Raleigh.

SUBMITTALS AND RECORDS
(9-5-23)

Revise the 2024 *Standard Specifications* as follows:

Page 15-2, Article 1500-7 SUBMITTALS AND RECORDS, lines 29-30, replace the last sentence of the third paragraph with the following:

Provide as-built plans of the installed wet utilities in accordance with the City of Raleigh’s requirements. Final acceptance for service of wet utilities by the City of Raleigh is contingent upon the contractor’s submission of satisfactory as-built plans.

As-built plans must include the following data:

1. Horizontal and vertical coordinates (NC State Plane NAD83 northing, easting, and NAVD88 elevation) of the installed location for the following:
 - o All fittings – Including but not limited to vertical and horizontal bends, tees, reducers, sleeves. Include size(s) and angle.

Project: P-5715

UC-2

County: Wake

- All utility controls – Including but not limited to valves, meters, fire hydrants, sampling stations, vaults, manholes, line stops installed as part of the project (whether abandoned or remaining active), and blow offs. Include size, type, and other descriptor(s) as applicable to specifically identify the control.
- All cleanouts. Include size and material.
- All piping – With survey points taken at intervals no greater than 100-feet along straight sections, and 50-feet along curved sections.
- Start and end points of restrained joint piping.
- Start and end points of encasement pipes. Include size and material of encasement.
- Start and end points trenchless installations, including but not limited to pipe installed by horizontal directional drill.
- Sanitary sewer manholes and cleanouts. Include rim and each invert.

Note: The elevation coordinate for buried facilities must be the elevation of the buried facility and not the surface elevation.

2. Size, material, and class of all piping, including identification of any special coatings or linings.
3. Identify new and existing facilities and connection point(s) to existing facilities

Verify accuracy and completeness of as-built plans in the field with the City of Raleigh inspections staff prior to submittal. Submit as-built drawings in PDF format as well as Microstation or AutoCAD format, sealed by a surveyor licensed in the state of North Carolina, to the City of Raleigh for review and approval.

GENERAL

Owner Coordination and Inspections

The existing potable water, reclaimed water, and sanitary sewer utilities within the project area (hereinafter “wet utilities”) belong to the City of Raleigh (hereinafter “Owner”). The Contractor shall provide access for the Owner's representatives to all phases of construction. Testing, inspection, and acceptance shall be in accordance with the Owner’s requirements. Contractor shall coordinate with the Owner to ensure all testing, inspection, and documentation requirements are met at 919-996-4540.

Owner Specifications

The proposed utility construction shall meet the applicable requirements of the NC Department of Transportation’s “Standard Specifications for Roads and Structures” (hereinafter “NCDOT Standard Specifications”) dated January 2024, the Owner’s “City of Raleigh Public Utilities Department Handbook” (hereinafter “CORPUD Handbook”) current edition, the City of Raleigh’s standard utility details, the Utility Construction plans, and the following Special Provisions.

Measurement and payment for proposed Utility Construction shall conform to the applicable requirements of the 2024 NCDOT Standard Specifications, as appended by these Special Provisions. If a discrepancy arises between the NCDOT Standard Specifications and the

Project: P-5715

UC-3

County: Wake

CORPUD Handbook that is not related to measurement and payment, the more stringent requirements shall prevail.

Material Requirements

Materials for pipe and appurtenances shall be as specified herein or as shown on the plans.

All metallic components that are subject to exposure to wastewater or wastewater gases shall be stainless steel or lined with Ceramic Epoxy.

Service Outages

Any wet utility service outages shall take place at a time and date acceptable to the Owner, including nights and weekends, shall be limited to no more than 8 hours per service interruption, unless otherwise specified on the plans or by the Owner. The Contractor shall coordinate all shutdowns with the Owner and shall provide notice as required by the Owner to all affected users. The Contractor shall not be entitled to any additional compensation or delay claims associated with these requirements.

WET UTILITY INSTALLATION PLAN**Description**

For each wet utility relocation, the Contractor shall submit a plan, detailing the intended wet utility construction to the Owner for approval prior to installing any component of the proposed wet utility or interrupting wet utility service. The Plan shall include at minimum:

1. Schedule and Sequence
 - a. Proposed installation schedule and sequence including all connections to active pressure pipes (line stops, tapping sleeves, or cut-in work), connections to manholes, or other connections to the Owner's system, installation phasing, pressure testing, disinfection, flushing, water quality testing, service connection switchovers, and abandonment or removal of lines to be abandoned.
2. Shutdowns
 - a. For each phase of wet utility construction requiring a service outage (defined as the closure of one or more valves, resulting in depressurization of any portion of the existing system, including services), the Contractor shall provide the following:
 - i. Location of proposed work and justification for shutdown
 - ii. Schedule (date and time) and duration
 - iii. Affected customers
3. Bypasses
 - a. For any work requiring bypass of portions of the existing wet utility system or other temporary piping, the Contractor shall provide the following:
 - a. Bypass piping layout, showing at minimum:
 - i. Position of all components of the bypass system, including but not limited to pumps (if applicable), piping, valves, connection points to the existing system, aerial crossing(s), and supports.

Project: P-5715

UC-4

County: Wake

- ii. Size, type, and material of all piping, control valves, and air release valve(s).
- iii. Details of traffic or stream crossings
- b. If the bypass will require pumps, the Contractor shall submit a bypass plan in accordance with the CORPUD Handbook, sealed by a Professional Engineer, licensed in North Carolina.
- c. Any plan which requires the use of elevated structures or other special supports, e.g. aerial crossings and other bridges, shall require certification by a Professional Engineer licensed in North Carolina. The Contractor shall provide the certification(s) at no additional cost to the Owner.

Implementation of foregoing installation plans shall not commence until approval of the submittals required under this Section. The Owner's may, at its sole discretion, require an on-site preconstruction meeting prior to certain utility construction activities.

The Contractor shall allow sufficient time for review and approval of each submitted installation plan, including any test shutdowns required by Owner, and shall not be entitled to any delay claims related to review, rejection, resubmittal, modifications, or any other actions necessary to obtain approved installation plans.

Measurement and Payment

Wet Utility Installation Plan is considered incidental to the utility line to which each plan applied. No measurement nor payment will be made.

CONNECTIONS TO EXISTING PIPE

Materials

Materials for connections to existing piping shall be in accordance with NCDOT Standard Specifications and CORPUD Handbook.

- (A) Mechanical Joint (MJ) Sleeves
MJ sleeves shall be long body, ductile iron, conforming to the requirements of ANSI A21.10 (AWWA C110).
- (B) MJ Restraints
MJ Restraints consist of follower glands, meeting the applicable requirements of ANSI/AWWA C110/A21.10, incorporating multiple gripping wedges, actuated by torque-limiting bolts. Gland body, wedges and wedge actuating components shall be cast from grade 65-45-12 ductile iron material in accordance with ASTM A536. Ductile iron gripping wedges shall be heat treated within a range of 370 to 470 BHN.
- (C) Transition Couplings
Transition Couplings shall be steel or ductile iron body with fusion bonded epoxy coating, EPDM rubber gaskets, and bolt-actuated metallic seal rings with stainless steel hardware and shall be suitable for a wide range of host pipe outside diameters and material types. Transition couplings shall be NSF 61 rated for use in potable or reclaimed water systems or

Project: P-5715

UC-5

County: Wake

rated for wastewater exposure for use in wastewater systems.

Construction Methods**(A) Mechanical Joint (MJ) Sleeves**

Use MJ Sleeve fittings to connect proposed ductile iron piping to existing ductile iron piping where indicated on the plans.

Restrain MJ Sleeves with MJ Restraints whose working pressure rating is equal to or greater than the host pipe.

(B) Transition Couplings

Use Transition Couplings to connect proposed ductile iron piping to existing piping that is not ductile iron.

Restrain connections made with Transition Couplings using thrust collars on the proposed piping, or with threaded rods connecting to the nearest MJ fitting on the proposed piping.

Measurement and Payment

Connections to Existing Piping are incidental to the project and no specific measurement nor payment shall be made.

CERAMIC EPOXY LINING**Materials**

All ferrous materials that are subject to exposure to wastewater and are not stainless steel shall be factory lined with ceramic epoxy.

Ceramic epoxy shall be an amine cured novalac epoxy containing at least 20 percent by volume of ceramic quartz pigment, shall have a permeability rating of 0.00 when tested in accordance with Procedure A Method A of ASTM E-96, and shall have an abrasion resistance of no more than 3 mils loss after one million cycles using European Standard EN 598: Section 7.8 Abrasion Resistance.

Construction Methods

Repair any damage to lining including coating the exposed ends of field cuts with ceramic epoxy joint/repair compound of the same manufacturer as the lining to be repaired and in accordance with manufacturer recommendations.

Measurement and Payment

Ceramic Epoxy Lining is considered incidental to the applicable sewer pipeline pay item(s) and no specific measurement nor payment will be made.

Project: P-5715

UC-6

County: Wake

THRUST RESTRAINT**Materials**

Materials for connections to existing piping shall be in accordance with NCDOT Standard Specifications and CORPUD Handbook.

(A) MJ Restraints

MJ Restraints consist of follower glands, meeting the applicable requirements of ANSI/AWWA C110/A21.10, incorporating multiple gripping wedges, actuated by torque-limiting bolts. Gland body, wedges and wedge actuating components shall be cast from grade 65-45-12 ductile iron material in accordance with ASTM A536. Ductile iron gripping wedges shall be heat treated within a range of 370 to 470 BHN. MJ Restraints shall be rated for a working pressure equal to or greater than that of the host pipe.

(B) Concrete Thrust Collars

All reinforcing steel for thrust collars shall be Grade 60 in accordance with Article 1070-2. All concrete shall be Class B in accordance with Article 1000-4.

(C) Thrust Blocking

Concrete for reaction blocking shall be Class B in accordance with Article 1000-4.

(D) Rodding

Rodding for thrust restraint shall be 3/4-inch diameter threaded rods, hot dipped galvanized steel or stainless steel.

Construction Methods

Restrain all bend fittings, valves, caps, reducers, and other components of pressurized pipeline systems that are subject to hydrostatic thrust. Use both MJ Restraints and Reaction Blocking or Concrete Thrust Collars. Use Rodding in addition to other methods of restraint as shown on the detail drawings.

Concrete used for thrust restraint shall cure a minimum of 72-hours prior to operating valves being restrained or pressurizing pipelines being restrained.

(E) MJ Restraints

Install MJ Restraints on all MJ connections. Do not use MJ Restraints on existing piping, unless that piping is ductile iron.

(F) Concrete Thrust Collars

Install concrete thrust collars as indicated on the plans and detail drawings, as necessary to restrain existing piping or appurtenances, and as necessary to facilitate phased construction.

Excavation for Concrete Thrust Collars shall be made in a manner which minimizes disturbance to adjacent soils.

Dual opposing MJ Restraints may be used in lieu of welded-on rings as directed by the

Project: P-5715

UC-7

County: Wake

Owner. Do not use MJ Restraints on existing piping, unless that piping is ductile iron.

Where Concrete Thrust Collars cannot be connected to the host pipe with welded-on rings or MJ Restraints, use cast-in rodding to connect Concrete Thrust Collars to the fitting or valve being restrained.

(G) Thrust Blocking

Install Thrust Blocking in accordance with the detail drawings. Use polyethylene sheeting to prevent contact between fittings and concrete. Concrete must not obstruct access to nor operation of connecting or MJ Restraint hardware.

(H) Rodding

Use the number of 3/4-inch rods specified in the table below. For sizes not listed, use the next larger size to determine number of rods.

Pipe/Fitting Size	Number of 3/4-inch Rods Required
4-inch	2
6-inch	2
8-inch	4
12-inch	4
16-inch	6
24-inch	6
30-inch	8
36-inch	8

Measurement and Payment

Thrust Restraint is incidental to the project and no specific measurement nor payment shall be made.

INSERTION VALVES

Materials

Insertion Valves 12” size and smaller shall be Housing-Seated Insertion Valves in accordance with Article 1036-7, except that the working pressure rating shall be 250 psi, and the valve shall be designed to allow removal of the host pipe from the valve body after installation.

Insertion Valves larger than 12” size shall be Pipe-Seated Insertion Valves in accordance with Article 1036-7.

Construction Methods

Install split MJ Restraints on both sides of insertion valves where the host pipe is ductile iron.

Install one Concrete Thrust Collar on the “live” side of the insertion valve, between five (5) and ten (10) linear feet from the valve and rodded to the insertion valve. Pour a concrete valve support beneath the insertion valve.

Measurement and Payment

Insertion Valves will be measured and paid in accordance with Article 1515-4.

ENCASEMENT AND CARRIER PIPES:

Materials

Steel encasement pipes shall be Grade 2 high strength steel with a minimum yield strength of 35,000 psi, welded or smooth-wall seamless construction, manufactured in accordance with ASTM A252.

Steel encasement pipes shall be of the size and minimum wall thickness as specified in the table below. For carrier pipe sizes not listed, use the next larger size shown in the table.

Carrier Pipe Nominal Diameter (inches)	Encasement Pipe Minimum Inside Diameter (inches)	Encasement Pipe Minimum Wall Thickness (inches)
6	14	0.375
8	16	0.375
10	18	0.375
12	20	0.375
14	24	0.375
16	26	0.500
18	60	0.500
20	62	0.500
24	36	0.625
30	42	0.625
36	48	0.750
42	56	0.875

All materials must be approved by the authority having jurisdiction over the location of installation (i.e. NCDOT, railroad, etc.). Thicker wall pipe may be required by the authority having jurisdiction over the location of installation.

Carrier pipe shall be restrained joint ductile iron through encasements, extending a minimum of 10-feet beyond the ends of the encasement pipe. Carrier pipes conveying wastewater shall be lined with ceramic epoxy interior lining.

Steel pipe supports shall be of the dimensions and materials shown in the Owner’s standard detail drawings.

Construction Methods

Install encasement pipes using the method specified on the Drawings (trenchless or open cut). Encasement pipe segments shall have “v-groove” type ends, joined by cleaning and welding continuously along the joint in accordance with applicable requirements of American Welding Society D1.1.

Project: P-5715

UC-9

County: Wake

Install a minimum of two (2) steel pipe supports per carrier pipe joint within the encasement. Install supports at one fourth the carrier pipe joint length away from both the bell and spigot ends of the carrier pipe, and one support a maximum of 1-foot from each end of the encasement pipe.

Install the carrier pipe into the encasement pipe in accordance with carrier pipe manufacturer's instructions. After installation, pull carrier pipe back to lock all joint restraints.

Isolate carrier pipe from encasement pipe end seals by wrapping carrier pipe with polyethylene sheeting or roofing felt. Seal ends of encasement pipes between carrier and encasement with brick and mortar and parge coat exterior surface with mortar or hydraulic cement.

Do not grout fill annular space between encasement pipe and carrier pipe.

Measurement and Payment

Encasement and carrier pipes will be measured and paid in accordance with Articles 1510, 1520, and 1540. No separate payment will be made for the work specified under this special provision.

ADJUST VALVE BOX AND ADJUST WATER METER**Description**

Raise or lower existing valve boxes and water meter box assemblies encountered within the limits of the project to match the adjacent finished work.

Materials

Materials shall be in accordance with the detail drawings and the CORPUD Handbook.

Cast iron or steel extension fittings will not be permitted for the adjustment of meter boxes and valve boxes owned by the City of Raleigh.

Construction Methods

Construction Methods shall be in accordance with Article 858-3.

The Contractor shall be responsible for the removal, maintenance, and reinstallation of valve boxes and water meter boxes to be adjusted. Upon removal of the above-mentioned items, the Owner or its representative shall inspect them for defects or damage. The Contractor shall replace valve boxes, meter boxes, and/or covers damaged during adjustment at no additional cost to the Owner or Department.

The final elevation of adjusted valve boxes shall be flush with the surrounding grade. Concrete collar shall be installed on all adjusted valves as shown in the detail drawings.

Measurement and Payment

Measurement and Payment shall be in accordance with Article 858-4.

Project: P-5715

UC-10

County: Wake

NITRILE GASKETS

Materials

The gasket shall consist of a single wedge-shaped rubber element. The rubber compound used shall consist of synthetic nitrile butadiene rubber polymer and shall conform with the sealing and oil resistance requirements of ASTM C1619, Class D, ASTM C 443-04 for Oil-Resistant Gaskets, and CSA 257.3-03 for Oil-Resistant Gaskets. Selection of the proper size gasket for the pipe requirement, and installation thereof, shall be in strict conformance with the recommendations of the gasket manufacturer. Any testing also shall be conducted in strict conformance with the requirements of the gasket manufacturer.

Construction Methods

Gaskets shall be installed on both water and sewer pipe if contaminated soil and/or groundwater are detected during excavation, or as directed by the Engineer. The use of nitrile gaskets shall extend at least forty (40) feet beyond the limit of petroleum contamination, or the total length as indicated on the Drawings, whichever extends further past the contamination.

Measurement and Payment

__” Nitrile Gaskets will be measured and paid per each gasket installed.

Payment will be made under:

Pay Item	Pay Unit
_” Nitrile Gaskets	Each

SANITARY SEWER MAIN POINT REPAIR

Materials

The point repair shall consist of raising the existing pipe in place using flowable fill per the Standard Utility Note 15 on Drawing UC-3 to remove the existing sag. Materials used in the work shall be in accordance with NCDOT 2024 Standard Specifications.

Construction Methods

Construction shall be conducted in accordance with the Standards Utility Note 15 on Drawing UC-3 and in the presence of a City of Raleigh Inspector. All construction methods shall be in accordance with NCDOT 2024 Standard Specifications.

Measurement and Payment

8” Sanitary Sewer Main Point Repair will be measured and paid per each for the appropriate size.

Payment will be made under:

Pay Item	Pay Unit
8” Sanitary Sewer Main Point Repair	Each

Project: P-5715

UC-11

County: Wake

4' DIA. UTILITY MANHOLE WITH EXTENDED BASE

Description

Manholes of certain depth require an extended base as indicated on the drawings and shown in the details.

Materials

Materials used in the work shall be in accordance with NCDOT 2024 Standard Specifications Article 1525.

Construction Methods

All construction methods shall be in accordance with NCDOT 2024 Standard Specifications Article 1525. Extended bases can be provided as part of the precast concrete manhole base structure or cast-in-place per the details in the drawings.

Measurement and Payment

4' Dia Utility Manhole with Extended Base will be measured and paid by appropriate diameter per each for manholes of 0 to 6 feet height and per linear foot of height over 6 feet.

Payment will be made under:

Pay Item

Pay Unit

4' Dia. Utility Manhole with Extended Base

Each

PROJECT SPECIAL PROVISIONS

Utilities by Others

General:

The following utility companies have facilities that will be in conflict with the construction of this project:

- A) Duke Energy – Power (Distribution)
- B) PSNC-Gas (Distribution)
- C) Spectrum-Communications
- D) AT&T-Communications
- E) Crown Castle-Communications
- F) Google Fiber-Communications
- G) CenturyLink-Communications
- H) Segra-Communications
- I) Spirit-Communications
- J) Teleport-Communications
- K) Verizon-Communications
- L) Windstream-Communications

The conflicting facilities of these concerns will be adjusted prior to the date of availability, unless otherwise noted and are therefore listed in these special provisions for the benefit of the Contractor. All utility work listed herein will be done by the utility owners. All utilities are shown on the plans from the best available information.

The Contractor's attention is directed to Article 105-8 of the 2024 Standard Specifications.

Utilities Requiring Adjustment:

Utility relocations are shown on the Utilities by Others Plans.

A) Duke Energy - Distribution

- 1) Duke Energy will install new utility poles and aerial lines within the project limits by the Date of Availability.
- 2) Contact person for Duke Energy is Mr. Donnie Williams, 336-222-5564

B) PSNC-Distribution

- 1) PSNC's relocation will be complete prior to LET date.
- 2) Contact person for PSNC Frances Grimsley, 919-819-9932

PROJECT SPECIAL PROVISIONS

Utilities by Others

C) Spectrum-Communications

- 1) Spectrum's relocation will be complete prior to LET date.
- 2) Contact person for Spectrum is Thomas Roberts, 919-920-7409

D) AT&T-Communications

- 1) The NCDOT will open cut road to place new storm pipes. The NCDOT requests that AT&T be present at all these locations where these open cuts cross AT&T's existing duct run.
- 2) AT&T would like a two week notice to schedule staff to be on site for these cuts.
- 2) Contact person for AT&T is Adrian Wimberly, 919-601-6136

E) Crown Castle-Communications

- 1) Crown Castle's relocation will be complete prior to LET date.
- 2) Contact person for Crown Castle is Mitchell Lewis, 980-938-7152

F) Google Fiber-Communications

- 1) Google Fiber's relocation will be complete prior to LET date.
- 2) Contact person for Google Fiber is Angela Jewett, 803-802-7578

G) CenturyLink-Communications

- 1) CenturyLink's relocation will be complete prior to LET date.
- 2) Contact person for CenturyLink is Brian Walker, 919-710-8893

H) Segra-Communications

- 1) Segra's relocation will be complete prior to LET date.
- 2) Contact person for Segra is Bruce Sheldon, 252-732-6003

I) Spirit-Communications

- 1) Spirit's relocation will be complete prior to LET date.
- 2) Contact person for Spirit is John Thibodoux, 919-901-5205

PROJECT SPECIAL PROVISIONS

Utilities by Others

J) Teleport-Communications

- 1) Teleport's relocation will be complete prior to LET date.
- 2) Contact person for Teleport is Ralph Thiedke, 984-220-3335

K) Verizon-Communications

- 1) Verizon's relocation will be complete prior to LET date.
- 2) Contact person for Verizon is Eric Crane is 919-326-5604

L) Windstream-Communications

- 1) Windstream's relocation will be complete prior to LET date.
- 2) Contact person for Windstream is Donald Fradel, 919-863-7081

C204339 P-5715

MR-1

Wake County

SPECIAL SEALED DRAINAGE SYSTEM FOR BACKFILL WALLED ROADWAY**SECTIONS:**

(9/5/2024)

Description

Construct watertight joints and connections between pipe sections and between pipes and drainage structures; and shall meet the requirements of this special provision. The special sealed drainage system shall be constructed as shown on the plans, drainage summary sheets, this special provision or as directed by the Engineer. Special sealed drainage system within a backfilled walled roadway section has been designated on the plans as “Sealed” and on the Drainage Summary Sheets as “Sealed Pipe System”.

Materials

Refer to Division 10 of the *Standard Specifications*.

Item	Section
Epoxy	1081
Flowable Fill, Excavatable	1000-7
Grout, Type 2	1003
Geotextiles, Type 4a	1056
Joint Materials	1032-6(F)
Polypropylene Pipe	1032-4
Select Materials	1016
Welded Steel Pipe	1032-5

Welded steel pipe shall be Grade B.

Polypropylene pipe shall conform to Article 1032-4 of the *Standard Specifications* and have watertight connections in accordance with ASTM D3212.

Drainage structures shall be precast concrete in accordance with ASTM C913 for rectangular boxes and AASHTO M199 for round manholes. Joints between sections shall meet or exceed ASTM C443.

Submit catalog cuts and/or shop drawings to the Engineer at least 40 days prior to use for materials proposed to be used on the project. Materials which have not been approved by the Engineer shall not be delivered to the project. Submit to the Engineer an electronic (.pdf) copy and eight (8) copies of each catalog cut and/or shop drawing, and each shall show the material description, brand name, stock number, size, rating, manufacturing specification and the use for which it is intended.

The Engineer shall approve all backfill material.

Construction Methods

Install the sealed drainage system pipe and drainage structures in accordance with Section 300, Section 840 and Section 1505 of the *Standard Specifications*. Install welded steel pipe in a trench using trenchless methods in accordance with Section 300 and Section 330 of the *Standard Specifications*.

Connect pipe to drainage structure with a flexible, resilient connector meeting ASTM C923 or a reinforced concrete pipe to drainage structure collar, doveled into the drainage structure, as detailed in plans.

Carefully examine and replace all defective materials prior to installation. As the work progresses, clear the interior of the pipe of all foreign materials. Any pipeline or drainage structure that contains silt, sedimentation, or other foreign material shall be flushed or cleaned out of the line and drainage structures after obtaining approval by the Engineer.

Keep trenches free from water until backfilled. Do not lay pipe when the weather is unsuitable for such work.

If significant settlement, install all proposed storm drainage pipe within the wall zone after predetermined settlement waiting period as approved by the Engineer is achieved.

Sealed Drainage System Inspection

An independent contractor, not affiliated with the Contractor or subcontractor, approved by the Engineer shall perform a post-construction inspection of all pipes and storm drain networks immediately upon completion of installation. Inspections shall be performed by NASSCO certified personnel using a closed-circuit television video (CCTV) steerable pipe crawler/rover that is tethered to a cable reel. Other types of equipment should only be used if approved by the Engineer. Equipment must be capable of capturing 360-degree views from within the pipe or storm drain system and all required data and measurements. Documentation of each inspection shall be provided to the Engineer for review and acceptance. At a minimum, the documentation provided to the Engineer shall include a video inspection and a corresponding inspection report as described below. The camera must be centered in the pipe during video inspections and shall show the entire circumference of the pipe. Video inspections shall provide accurate distance measurements of features in the pipe or network and footage measurements shall be displayed and documented in the video. Video should be continuously metered. A maximum video size of 1.5GB is required. Acceptable file formats are .avi, .mkv, mp4, mpeg, .mpg, or .wmv with .mp4 being the preferred format.

The inspection report shall include the following:

- (A) Structural integrity of each pipe joint connector, including welded steel pipe joints, and each pipe connection to a drainage structure including, but not limited to, joint or connector damage, failure, separation, and offsets.

C204339 P-5715

MR-3

Wake County

- (B) Length between the end of the pipe and the internal wall of the drainage structure at each pipe connection to a drainage structure.
- (C) Longitudinal, transverse, circumferential, and multidirectional cracking or deflection.
- (D) Seepage and infiltration into the pipe.
- (E) Pipe or connection failures including, but not limited to, differential settlement, material deformation, and puncture holes.
- (F) The location of each item noted as measured from the outlet of the pipe.

Prior to inspection, clean pipes to ensure all defects, features and observations are seen and documented during inspection. Any pipe cleanout required prior to inspections shall be considered incidental and will not be paid for as extra work. The Contractor shall clean pipes as directed by the Engineer and obtain approval from the Engineer prior to performing any cleanout.

Measurement and Payment

 " *Welded Steel Pipe (Contractor Designed)* and " *Polypropylene Pipe (Contractor Designed)* for the sealed drainage system will be measured and paid as the actual number of linear feet of pipe that has been incorporated into the completed and accepted work. The quantity of sealed drainage system lines of the various sizes, which has been incorporated into the completed and accepted work, will be measured from end to end by the linear foot in place with no deduction for length through drainage structures. Where two different sizes enter or exit a drainage structure, each size will be measured to the center of the drainage structure. Unless otherwise shown on the plans, branch connections, elbows, or other fixtures will be included in the length measurement.

Masonry Drainage Structures (Contractor Designed) will be measured in accordance with Article 840-4 of the *Standard Specifications* with the exception of being paid for as *Masonry Drainage Structures (Contractor Designed)*.

Foundation Conditioning Material, Minor Structures and Foundation Conditioning Geotextile will be measured and paid in accordance with Article 300-9 of the *Standard Specifications*.

Resilient Connector will be measured and paid for in units of each that has been incorporated into the completed work.

Pipe Collars will be measured and paid in accordance with Article 840-4 of the *Standard Specifications*. All #6 dowels, drilling, epoxy, and installation are incidental to the construction of the *Pipe Collars*.

Sealed System Inspection will be measured and paid for as the actual number of linear feet of pipe inspected, including mobilization of equipment, and production of records. Linear footage is not increased for multiple passes of inspection equipment through a length of pipe.

C204339 P-5715

MR-4

Wake County

Such price and payment includes, but is not limited to, trenching, excavation to include shoring, sheeting and dewatering; materials, labor, equipment, backfilling, compaction, testing, pumping, pipe connectors, gaskets, non-shrink cement grout, and any other incidentals necessary to complete the work. No separate measurement or payment will be made for sealed drainage system inspection and any cleanout required prior to inspection as described in this special provision as the cost of such work shall be included in contract price bid per linear foot for the various pipe in the sealed drainage system.

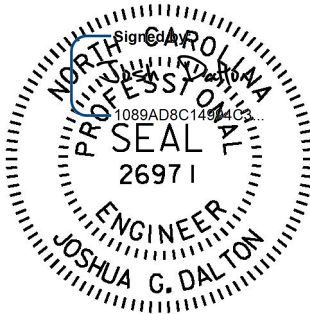
Payment will be made under:

Pay Item

- __" Welded Steel Pipe (Contractor Designed)
- __" Polypropylene Pipe (Contractor Designed)
- Masonry Drainage Structure (Contractor Designed)
- Masonry Drainage Structure (Contractor Designed)
- Masonry Drainage Structure (Contractor Designed)
- Resilient Connector
- Sealed System Inspection

Pay Unit

- Linear Foot
- Linear Foot
- Each
- Linear Foot
- Cubic Yard
- Each
- Linear Foot



9/11/2024

**Project Special Provisions
Erosion Control**

STABILIZATION REQUIREMENTS:

(4-30-2019)

Stabilization for this project shall comply with the time frame guidelines as specified by the NCG-010000 general construction permit effective April 1, 2019 issued by the North Carolina Department of Environmental Quality Division of Water Resources. Temporary or permanent ground cover stabilization shall occur within 7 calendar days from the last land-disturbing activity, with the following exceptions in which temporary or permanent ground cover shall be provided in 14 calendar days from the last land-disturbing activity:

- Slopes between 2:1 and 3:1, with a slope length of 10 ft. or less
- Slopes 3:1 or flatter, with a slope of length of 50 ft. or less
- Slopes 4:1 or flatter

The stabilization timeframe for High Quality Water (HQW) Zones shall be 7 calendar days with no exceptions for slope grades or lengths. High Quality Water Zones (HQW) Zones are defined by North Carolina Administrative Code 15A NCAC 04A.0105 (25). Temporary and permanent ground cover stabilization shall be achieved in accordance with the provisions in this contract and as directed.

SEEDING AND MULCHING:

(East)

The kinds of seed and fertilizer, and the rates of application of seed, fertilizer, and limestone, shall be as stated below. During periods of overlapping dates, the kind of seed to be used shall be determined. All rates are in pounds per acre.

All Roadway Areas

March 1 - August 31

50#	Tall Fescue
10#	Centipede
25#	Bermudagrass (hulled)
500#	Fertilizer
4000#	Limestone

September 1 - February 28

50#	Tall Fescue
10#	Centipede
35#	Bermudagrass (unhulled)
500#	Fertilizer
4000#	Limestone

Waste and Borrow Locations

March 1 – August 31

75#	Tall Fescue
25#	Bermudagrass (hulled)
500#	Fertilizer
4000#	Limestone

September 1 - February 28

75#	Tall Fescue
35#	Bermudagrass (unhulled)
500#	Fertilizer
4000#	Limestone

Note: 50# of Bahiagrass may be substituted for either Centipede or Bermudagrass only upon Engineer’s request.

Approved Tall Fescue Cultivars

06 Dust	Escalade	Justice	Serengeti
2 nd Millennium	Essential	Kalahari	Shelby
3 rd Millennium	Evergreen 2	Kitty Hawk 2000	Sheridan
Apache III	Falcon IV	Legitimate	Signia
Avenger	Falcon NG	Lexington	Silver Hawk
Barlexas	Falcon V	LSD	Sliverstar
Barlexas II	Faith	Magellan	Shenandoah Elite
Bar Fa	Fat Cat	Matador	Sidewinder
Barrera	Festnova	Millennium SRP	Skyline
Barrington	Fidelity	Monet	Solara
Barrobusto	Finelawn Elite	Mustang 4	Southern Choice II
Barvado	Finelawn Xpress	Ninja 2	Speedway
Biltmore	Finesse II	Ol' Glory	Spyder LS
Bingo	Firebird	Olympic Gold	Sunset Gold
Bizem	Firecracker LS	Padre	Taccoa
Blackwatch	Firenza	Patagonia	Tanzania
Blade Runner II	Five Point	Pedigree	Trio
Bonsai	Focus	Picasso	Tahoe II
Braveheart	Forte	Piedmont	Talladega
Bravo	Garrison	Plantation	Tarheel
Bullseye	Gazelle II	Proseeds 5301	Terrano
Cannavaro	Gold Medallion	Prospect	Titan ltd
Catalyst	Grande 3	Pure Gold	Titanium LS
Cayenne	Greenbrooks	Quest	Tracer
Cessane Rz	Greenkeeper	Raptor II	Traverse SRP
Chipper	Gremlin	Rebel Exeda	Tulsa Time
Cochise IV	Greystone	Rebel Sentry	Turbo
Constitution	Guardian 21	Rebel IV	Turbo RZ
Corgi	Guardian 41	Regiment II	Tuxedo RZ
Corona	Hemi	Regenerate	Ultimate
Coyote	Honky Tonk	Rendition	Venture
Darlington	Hot Rod	Rhambler 2 SRP	Umbrella
Davinci	Hunter	Rembrandt	Van Gogh
Desire	Inferno	Reunion	Watchdog
Dominion	Innovator	Riverside	Wolfpack II
Dynamic	Integrity	RNP	Xtremegreen
Dynasty	Jaguar 3	Rocket	
Endeavor	Jamboree	Scorpion	

On cut and fill slopes 2:1 or steeper Centipede shall be applied at the rate of 5 pounds per acre and add 20# of Sericea Lespedeza from January 1 - December 31.

Fertilizer shall be 10-20-20 analysis. A different analysis of fertilizer may be used provided the 1-2-2 ratio is maintained and the rate of application adjusted to provide the same amount of plant food as a 10-20-20 analysis and as directed.

TEMPORARY SEEDING:

Fertilizer shall be the same analysis as specified for *Seeding and Mulching* and applied at the rate of 400 pounds and seeded at the rate of 50 pounds per acre. Sweet Sudan Grass, German Millet or Browntop Millet shall be used in summer months and Rye Grain during the remainder of the year. The Engineer will determine the exact dates for using each kind of seed.

FERTILIZER TOPDRESSING:

Fertilizer used for topdressing on all roadway areas except slopes 2:1 and steeper shall be 10-20-20 grade and shall be applied at the rate of 500 pounds per acre. A different analysis of fertilizer may be used provided the 1-2-2 ratio is maintained and the rate of application adjusted to provide the same amount of plant food as 10-20-20 analysis and as directed.

Fertilizer used for topdressing on slopes 2:1 and steeper and waste and borrow areas shall be 16-8-8 grade and shall be applied at the rate of 500 pounds per acre. A different analysis of fertilizer may be used provided the 2-1-1 ratio is maintained and the rate of application adjusted to provide the same amount of plant food as 16-8-8 analysis and as directed.

SUPPLEMENTAL SEEDING:

The kinds of seed and proportions shall be the same as specified for *Seeding and Mulching*, with the exception that no centipede seed will be used in the seed mix for supplemental seeding. The rate of application for supplemental seeding may vary from 25# to 75# per acre. The actual rate per acre will be determined prior to the time of topdressing and the Contractor will be notified in writing of the rate per acre, total quantity needed, and areas on which to apply the supplemental seed. Minimum tillage equipment, consisting of a sod seeder shall be used for incorporating seed into the soil as to prevent disturbance of existing vegetation. A clodbuster (ball and chain) may be used where degree of slope prevents the use of a sod seeder.

MOWING:

The minimum mowing height on this project shall be 4 inches.

LAWN TYPE APPEARANCE:

All areas adjacent to lawns must be hand finished as directed to give a lawn type appearance. Remove all trash, debris, and stones $\frac{3}{4}$ " and larger in diameter or other obstructions that could interfere with providing a smooth lawn type appearance. These areas shall be reseeded to match their original vegetative conditions, unless directed otherwise by the Field Operations Engineer.

MINIMIZE REMOVAL OF VEGETATION:

The Contractor shall minimize removal of vegetation within project limits to the maximum extent practicable. Vegetation along stream banks and adjacent to other jurisdictional resources outside the construction limits shall only be removed upon approval of Engineer. No additional payment will be made for this minimization work.

CONSTRUCTION MATERIALS MANAGEMENT

(3-19-19) (rev. 04-27-20)

Description

The requirements set forth shall be adhered to in order to meet the applicable materials handling requirements of the NCG010000 permit. Structural controls installed to manage construction materials stored or used on site shall be shown on the E&SC Plan. Requirements for handling materials on construction sites shall be as follows:

Polyacrylamides (PAMS) and Flocculants

Polyacrylamides (PAMS) and flocculants shall be stored in leak-proof containers that are kept under storm-resistant cover or surrounded by secondary containment structures designed to protect adjacent surface waters. PAMS or other flocculants used shall be selected from the NC DWR List of Approved PAMS/Flocculants. The concentration of PAMS and other flocculants used shall not exceed those specified in the NC DWR List of Approved PAMS/Flocculants and in accordance with the manufacturer's instructions. The NC DWR List of Approved PAMS/Flocculants is available at:

https://files.nc.gov/ncdeq/Water+Quality/Environmental+Sciences/ATU/PAM8_30_18.pdf

Equipment Fluids

Fuels, lubricants, coolants, and hydraulic fluids, and other petroleum products shall be handled and disposed of in a manner so as not to enter surface or ground waters and in accordance with applicable state and federal regulations. Equipment used on the site must be operated and maintained properly to prevent discharge of fluids. Equipment, vehicle, and other wash waters shall not be discharged into E&SC basins or other E&SC devices. Alternative controls should be provided such that there is no discharge of soaps, solvents, or detergents.

Waste Materials

Construction materials and land clearing waste shall be disposed of in accordance with North Carolina General Statutes, Chapter 130A, Article 9 - Solid Waste Management, and rules governing the disposal of solid waste (15A NCAC 13B). Areas dedicated for managing construction material and land clearing waste shall be at least 50 feet away from storm drain inlets and surface waters unless it can be shown that no other alternatives are reasonably available. Paint and other liquid construction material waste shall not be dumped into storm drains. Paint and other liquid construction waste washouts should be located at least 50 feet away from storm drain inlets unless there is no alternative. Other options are to install lined washouts or use portable, removable bags or bins. Hazardous or

toxic waste shall be managed in accordance with the federal Resource Conservation and Recovery Act (RCRA) and NC Hazardous Waste Rules at 15A NCAC, Subchapter 13A. Litter and sanitary waste shall be managed in a manner to prevent it from entering jurisdictional waters and shall be disposed of offsite.

Herbicide, Pesticide, and Rodenticides

Herbicide, pesticide, and rodenticides shall be stored and applied in accordance with the Federal Insecticide, Fungicide, and Rodenticide Act, North Carolina Pesticide Law of 1971 and labeling restrictions.

Concrete Materials

Concrete materials onsite, including excess concrete, must be controlled and managed to avoid contact with surface waters, wetlands or buffers. No concrete or cement slurry shall be discharged from the site. (Note that discharges from onsite concrete plants require coverage under a separate NPDES permit – NCG140000.) Concrete wash water shall be managed in accordance with the *Concrete Washout Structure* provision. Concrete slurry shall be managed and disposed of in accordance with *NCDOT DGS and HOS DCAR Distribution of Class A Residuals Statewide* (Permit No. WQ0035749). Any hardened concrete residue will be disposed of, or recycled on site, in accordance with state solid waste regulations.

Earthen Material Stock Piles

Earthen material stock piles shall be located at least 50 feet away from storm drain inlets and surface waters unless it can be shown that no other alternatives are reasonably available.

Measurement and Payment

Conditions set within the *Construction Materials Management* provision are incidental to the project for which no direct compensation will be made.

WASTE AND BORROW SOURCES:

(2-16-11) (Rev. 3-17-22)

Payment for temporary erosion control measures, except those made necessary by the Contractor's own negligence or for his own convenience, will be paid for at the appropriate contract unit price for the devices or measures utilized in borrow sources and waste areas.

No additional payment will be made for erosion control devices or permanent seeding and mulching in any commercial borrow or waste pit. All erosion and sediment control practices that may be required on a commercial borrow or waste site will be done at the Contractor's expense.

All offsite Staging Areas, Borrow and Waste sites shall be in accordance with "Borrow and Waste Site Reclamation Procedures for Contracted Projects" located at:

<https://connect.ncdot.gov/resources/roadside/FieldOperationsDocuments/Contract%20Reclamation%20Procedures.pdf>

All forms and documents referenced in the “Borrow and Waste Site Reclamation Procedures for Contracted Projects” shall be included with the reclamation plans for offsite staging areas, and borrow and waste sites.

TEMPORARY DIVERSION:

This work consists of installation, maintenance, and cleanout of *Temporary Diversions* in accordance with Section 1630 of the *Standard Specifications*. The quantity of excavation for installation and cleanout will be measured and paid for as *Silt Excavation* in accordance with Article 1630-3 of the *Standard Specifications*.

SAFETY FENCE AND JURISDICTIONAL FLAGGING:

Description

Safety Fence shall consist of furnishing materials, installing and maintaining polyethylene or polypropylene fence along the outside riparian buffer, wetland, or water boundary, or other boundaries located within the construction corridor to mark the areas that have been approved to infringe within the buffer, wetland, endangered vegetation, culturally sensitive areas or water. The fence shall be installed prior to any land disturbing activities.

Interior boundaries for jurisdictional areas noted above shall be delineated by stakes and highly visible flagging.

Jurisdictional boundaries at staging areas, waste sites, or borrow pits, whether considered outside or interior boundaries shall be delineated by stakes and highly visible flagging.

Materials

(A) Safety Fencing

Polyethylene or polypropylene fence shall be a highly visible preconstructed safety fence approved by the Engineer. The fence material shall have an ultraviolet coating.

Either wood posts or steel posts may be used. Wood posts shall be hardwood with a wedge or pencil tip at one end, and shall be at least 5 ft. in length with a minimum nominal 2" x 2" cross section. Steel posts shall be at least 5 ft. in length, and have a minimum weight of 0.85 lb/ft of length.

(B) Boundary Flagging

Wooden stakes shall be 4 feet in length with a minimum nominal 3/4" x 1-3/4" cross section. The flagging shall be at least 1" in width. The flagging material shall be vinyl and shall be orange in color and highly visible.

Construction Methods

No additional clearing and grubbing is anticipated for the installation of this fence. The fence shall be

erected to conform to the general contour of the ground.

(A) Safety Fencing

Posts shall be set at a maximum spacing of 10 ft., maintained in a vertical position and hand set or set with a post driver. Posts shall be installed a minimum of 2 ft. into the ground. If hand set, all backfill material shall be thoroughly tamped. Wood posts may be sharpened to a dull point if power driven. Posts damaged by power driving shall be removed and replaced prior to final acceptance. The tops of all wood posts shall be cut at a 30-degree angle. The wood posts may, at the option of the Contractor, be cut at this angle either before or after the posts are erected.

The fence geotextile shall be attached to the wood posts with one 2" galvanized wire staple across each cable or to the steel posts with wire or other acceptable means.

Place construction stakes to establish the location of the safety fence in accordance with Article 105-9 or Article 801-1 of the *Standard Specifications*. No direct pay will be made for the staking of the safety fence. All stakeouts for safety fence shall be considered incidental to the work being paid for as "Construction Surveying", except that where there is no pay item for construction surveying, all safety fence stakeout will be performed by state forces.

The Contractor shall be required to maintain the safety fence in a satisfactory condition for the duration of the project as determined by the Engineer.

(B) Boundary Flagging

Boundary flagging delineation of interior boundaries shall consist of wooden stakes on 25 feet maximum intervals with highly visible orange flagging attached. Stakes shall be installed a minimum of 6" into the ground. Interior boundaries may be staked on a tangent that runs parallel to buffer but must not encroach on the buffer at any location. Interior boundaries of hand clearing shall be identified with a different colored flagging to distinguish it from mechanized clearing.

Boundary flagging delineation of interior boundaries will be placed in accordance with Article 105-9 or Article 801-1 of the *Standard Specifications*. No direct pay will be made for delineation of the interior boundaries. This delineation will be considered incidental to the work being paid for as *Construction Surveying*, except that where there is no pay item or construction surveying the cost of boundary flagging delineation shall be included in the unit prices bid for the various items in the contract. Installation for delineation of all jurisdictional boundaries at staging areas, waste sites, or borrow pits shall consist of wooden stakes on 25 feet maximum intervals with highly visible orange flagging attached. Stakes shall be installed a minimum of 6" into the ground. Additional flagging may be placed on overhanging vegetation to enhance visibility but does not substitute for installation of stakes.

Installation of boundary flagging for delineation of all jurisdictional boundaries at staging areas, waste sites, or borrow pits shall be performed in accordance with Subarticle 230-4(B)(5) or Subarticle 802-2(F) of the *Standard Specifications*. No direct pay will be made for this delineation, as the cost of same shall be included in the unit prices bid for the various items in the contract.

The Contractor shall be required to maintain alternative stakes and highly visible flagging in a

satisfactory condition for the duration of the project as determined by the Engineer.

Measurement and Payment

Safety Fence will be measured and paid as the actual number of linear feet of polyethylene or polypropylene fence installed in place and accepted. Such payment will be full compensation including but not limited to furnishing and installing fence geotextile with necessary posts and post bracing, staples, tie wires, tools, equipment and incidentals necessary to complete this work.

Payment will be made under:

Pay Item	Pay Unit
Safety Fence	Linear Foot

PERMANENT SOIL REINFORCEMENT MAT:

Description

This work consists of furnishing and placing *Permanent Soil Reinforcement Mat*, of the type specified, over previously prepared areas as directed.

Materials

The product shall be a permanent erosion control reinforcement mat and shall be constructed of synthetic or a combination of coconut and synthetic fibers evenly distributed throughout the mat between a bottom UV stabilized netting and a heavy duty UV stabilized top net. The matting shall be stitched together with UV stabilized polypropylene thread to form a permanent three-dimensional structure. The mat shall have the following minimum physical properties:

Property	Test Method	Value	Unit
Light Penetration	ASTM D6567	9	%
Thickness	ASTM D6525	0.40	in
Mass Per Unit Area	ASTM D6566	0.55	lb/sy
Tensile Strength	ASTM D6818	385	lb/ft
Elongation (Maximum)	ASTM D6818	49	%
Resiliency	ASTM D1777	>70	%
UV Stability *	ASTM D4355	≥80	%
Porosity (Permanent Net)	ECTC Guidelines	≥85	%
Maximum Permissible Shear	Performance Bench	≥8.0	lb/ft ²
Stress (Vegetated)	Test		
Maximum Allowable Velocity (Vegetated)	Performance Bench	≥16.0	ft/s
	Test		

*ASTM D1682 Tensile Strength and % strength retention of material after 1000 hours of exposure.

Submit a certification (Type 1, 2, or 3) from the manufacturer showing:

- (A) the chemical and physical properties of the mat used, and
- (B) conformance of the mat with this specification.

Construction Methods

Matting shall be installed in accordance with Subarticle 1631-3(B) of the *Standard Specifications*.

All areas to be protected with the mat shall be brought to final grade and seeded in accordance with Section 1660 of the *Standard Specifications*. The surface of the soil shall be smooth, firm, stable and free of rocks, clods, roots or other obstructions that would prevent the mat from lying in direct contact with the soil surface. Areas where the mat is to be placed will not need to be mulched.

Measurement and Payment

Permanent Soil Reinforcement Mat will be measured and paid for as the actual number of square yards measured along the surface of the ground over which Permanent Soil Reinforcement Mat is installed and accepted. Overlaps will not be included in the measurement, and will be considered as incidental to the work. Such payment shall be full compensation for furnishing and installing the mat, including overlaps, and for all required maintenance.

Payment will be made under:

Pay Item	Pay Unit
Permanent Soil Reinforcement Mat	Square Yard

CONCRETE WASHOUT STRUCTURE:

(8-17-23)

Description

Concrete washout structures are enclosures above or below grade to contain concrete waste water and associated concrete mix from washing out ready-mix trucks, drums, pumps, or other equipment. Concrete washouts must collect and retain all the concrete washout water and solids, so that this material does not migrate to surface waters or into the ground water. These enclosures are not intended for concrete waste not associated with wash out operations.

The concrete washout structure may include constructed devices above or below ground and or commercially available devices designed specifically to capture concrete wash water.

Materials

Item	Section
Temporary Silt Fence	1605

Safety Fence shall meet the specifications as provided elsewhere in this contract.

Geomembrane basin liner shall meet the following minimum physical properties for low permeability; it shall consist of a polypropylene or polyethylene 10 mil think geomembrane. If the minimum setback dimensions can be achieved the liner is not required. (5 feet above groundwater, 50 feet from top of

bank of perennial stream, other surface water body, or wetland.)

Construction Methods

Build an enclosed earthen berm or excavate to form an enclosure in accordance with the details and as directed.

Install temporary silt fence around the perimeter of the enclosure in accordance with the details and as directed if structure is not located in an area where existing erosion and sedimentation control devices are capable to containing any loss of sediment.

Post a sign with the words “Concrete Washout” in close proximity of the concrete washout area, so it is clearly visible to site personnel. Install safety fence as directed for visibility to construction traffic.

[Alternate details for accommodating concrete washout may be submitted for review and approval.](#)

[The alternate details shall include the method used to retain and dispose of the concrete waste water within the project limits and in accordance with the minimum setback requirements.](#) (5 feet above groundwater, 50 feet from top of bank of perennial stream, other surface water body, or wetland.)

Maintenance and Removal

Maintain the concrete washout structure(s) to provide adequate holding capacity plus a minimum freeboard of 12 inches. Remove and dispose of hardened concrete and return the structure to a functional condition after reaching 75% capacity.

Inspect concrete washout structures for damage and maintain for effectiveness.

Remove the concrete washout structures and sign upon project completion. Grade the earth material to match the existing contours and permanently seed and mulch area.

Measurement and Payment

Concrete Washout Structure will be paid for per each enclosure installed in accordance with the details. If alternate details or commercially available devices are approved, then those devices will also be paid for per each approved and installed device.

Temporary Silt Fence will be measured and paid for in accordance with Article 1605-5 of the *Standard Specifications*.

Safety Fence shall be measured and paid for as provided elsewhere in this contract.

No measurement will be made for other items or for over excavation or stockpiling.

Payment will be made under:

Pay Item

Concrete Washout Structure

Pay Unit

Each

FABRIC INSERT INLET PROTECTION

(1-1-24)

Description

Install, maintain, and remove Fabric Insert Inlet Protection, of the type specified, in inlet structures (catch basins, drop inlets, etc.) in areas where asphalt or concrete may prevent the proper installation of a Rock Inlet Sediment Traps Type C, or as directed by the Engineer.

Materials

Provide a fabric inlet protection device composed of a fitted woven polypropylene geotextile double sewn with nylon thread suspended sack. The Fabric Insert Inlet Protection shall be manufactured to fit the opening of the catch basin or drop inlet or shall have a deflector to direct runoff from the curb opening into the fabric sack. The Fabric Insert Inlet Protection shall have a rigid frame or support system to support the loaded weight of the product. The product shall have lifting loops for removing the device from the basin and will have dump straps attached at the bottom to facilitate the emptying of the device. The Fabric Insert Inlet Protection shall have an overflow system to allow stormwater to enter the inlet structure and avoid ponding on the roadway when the device reaches capacity.

The fitted filter assembly shall have the following physical properties:

Type 1 (High Flow):

Physical	Test Method	English
Grab Tensile	ASTM D-4632	255 x 275 lbs
Minimum Puncture Strength	ASTM D-4833	125 lbs
Mullen Burst	ASTM D-3786	420 PSI
Minimum UV Resistance	ASTM D-4355	70 %.
Flow Rate	ASTM D-4491	200 gal/min/ft ²
Apparent Opening	ASTM D-4751	20 US Sieve
Permittivity	ASTM D-4491	1.5 sec ⁻¹

Type 2 (Low Flow):

Physical	Test Method	English
Grab Tensile	ASTM D-4632	315 x 300 lbs
Grab Elongation	ASTM D-4632	15 x 15 %
Minimum Puncture Strength	ASTM D-4833	125 lbs
Mullen Burst	ASTM D-3786	650 PSI
Minimum UV Resistance	ASTM D-4355	70 %.
Flow Rate	ASTM D-4491	40 gal/min/ft ²
Apparent Opening	ASTM D-4751	40 US Sieve
Permittivity	ASTM D-4491	0.55 sec ⁻¹

Construction Methods

Strictly adhere to the manufacturer’s installation instructions and recommendations. Maintenance shall include regular daily inspections and after each qualifying rain event. The Fabric Insert Inlet Protection shall be emptied, cleaned and placed back into the basin when it reaches 50% capacity or as directed by the Engineer.

Measurement and Payment

Fabric Insert Inlet Protection, Type 1 will be measured and paid in units of each of the type specified, complete in place and accepted. Such payment shall be full compensation for furnishing and installing the *Fabric Insert Inlet Protection, Type 1* in accordance with this specification and for all required maintenance.

Fabric Insert Inlet Protection Cleanout will be measured and paid in units of each for the maintenance of the device, cleanout and disposal of accumulated sediments.

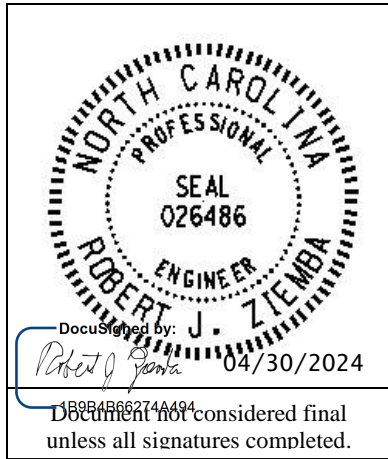
Payment will be made under:

Pay Item	Pay Unit
Fabric Insert Inlet Protection, Type 1	Each
Fabric Insert Inlet Protection Cleanout	Each

P-5715

Signals and Intelligent Transportation Systems
Project Special Provisions
(Version 24.0)

Prepared By: JA Lohr
30-Apr-24



Contents

1. SIGNAL HEADS.....2

1.1. MATERIALS2

A. General:2

B. Vehicle Signal Heads:.....3

C. Pedestrian Signal Heads:5

2. LED BLANKOUT SIGN.....7

2.1. MATERIALS7

3. CONTROLLERS WITH CABINETS8

3.1. MATERIALS – TYPE 2070LX CONTROLLERS8

3.2. MATERIALS – GENERAL CABINETS8

3.3. MATERIALS – TYPE 170E CABINETS9

A. Type 170 E Cabinets General:9

B. Type 170 E Cabinet Electrical Requirements:9

C. Type 170 E Cabinet Physical Requirements:.....16

D. Model 2018 Enhanced Conflict Monitor:17

E. Preemption and Sign Control Box26

3.4. MATERIALS – TYPE 170 DETECTOR SENSOR UNITS29

4. PUSH BUTTON INTEGRATED ACCESSIBLE PEDESTRIAN SIGNAL (APS)29

4.1. DESCRIPTION29

4.2. MATERIALS29

4.3. CONSTRUCTION METHODS30

4.4. MEASUREMENT AND PAYMENT30

**5. VIDEO IMAGING LOOP EMULATOR DETECTOR SYSTEMS FOR TEMPORARY INSTALLATION
31**

5.1. DESCRIPTION31

5.2. MATERIALS31

A. General:31

B. Loop Emulator System:32

C. Video Imaging Loop Emulator System Support:.....33

5.3. CONSTRUCTION METHODS34

5.4. MEASUREMENT AND PAYMENT34

1. SIGNAL HEADS

1.1. MATERIALS

A. General:

Fabricate vehicle signal head housings and end caps from die-cast aluminum. Fabricate 16-inch pedestrian signal head housings and end caps from die-cast aluminum. Provide visor mounting screws, door latches, and hinge pins fabricated from stainless steel. Provide interior screws, fasteners, and metal parts fabricated from stainless steel.

Fabricate tunnel and traditional visors from sheet aluminum.

Paint all surfaces inside and outside of signal housings and doors. Paint outside surfaces of tunnel and traditional visors, wire outlet bodies, wire entrance fitting brackets and end caps when supplied as components of messenger cable mounting assemblies, pole and pedestal mounting assemblies, and pedestrian pushbutton housings. Have electrostatically-applied, fused-polyester paint in highway yellow (Federal Standard 595C, Color Chip Number 13538) a minimum of 2.5 to 3.5 mils thick. Do not apply paint to the latching hardware, rigid vehicle signal head mounting brackets for mast-arm attachments, messenger cable hanger components or balance adjuster components.

Have the interior surfaces of tunnel and traditional visors painted an alkyd urea black synthetic baking enamel with a minimum gloss reflectance and meeting the requirements of MIL-E-10169, “Enamel Heat Resisting, Instrument Black.”

Where required, provide polycarbonate signal heads and visors that comply with the provisions pertaining to the aluminum signal heads listed on the QPL with the following exceptions:

Fabricate signal head housings, end caps, and visors from virgin polycarbonate material. Provide UV stabilized polycarbonate plastic with a minimum thickness of 0.1 ± 0.01 inches that is highway yellow (Federal Standard 595C, Color Chip 13538). Ensure the color is incorporated into the plastic material before molding the signal head housings and end caps. Ensure the plastic formulation provides the following physical properties in the assembly (tests may be performed on separately molded specimens):

Test	Required	Method
Specific Gravity	1.17 minimum	ASTM D 792
Flammability	Self-extinguishing	ASTM D 635
Tensile Strength, yield, PSI	8500 minimum	ASTM D 638
Izod impact strength, ft-lb/in [notched, 1/8 inch]	12 minimum	ASTM D 256

For pole mounting, provide side of pole mounting assemblies with framework and all other hardware necessary to make complete, watertight connections of the signal heads to the poles and pedestals. Fabricate the mounting assemblies and frames from aluminum with all necessary hardware, screws, washers, etc. to be stainless steel. Provide mounting fittings that match the positive locking device on the signal head with the serrations integrally cast into the brackets. Provide upper and lower pole plates that have a 1 ¼-inch vertical conduit entrance hubs with the hubs capped on the lower plate and 1 ½-inch horizontal hubs. Ensure that the assemblies provide rigid attachments to poles and pedestals so as to allow no twisting or swaying of the signal heads. Ensure that all raceways are free of sharp edges and protrusions, and can accommodate a minimum of ten Number 14 AWG conductors.

For pedestal mounting, provide a post-top slipfitter mounting assembly that matches the positive locking device on the signal head with serrations integrally cast into the slipfitter. Provide stainless steel hardware, screws, washers, etc. Provide a minimum of six 3/8 X 3/4-inch long square head bolts for attachment to pedestal. Provide a center post for multi-way slipfitters.

For light emitting diode (LED) traffic signal modules, provide the following requirements for inclusion on the Department's Qualified Products List for traffic signal equipment.

1. Sample submittal,
2. Third-party independent laboratory testing results for each submitted module with evidence of testing and conformance with all of the Design Qualification Testing specified in section 6.4 of each of the following Institute of Transportation Engineers (ITE) specifications:
 - Vehicle Traffic Control Signal Heads – Light Emitting Diode (LED) Circular Signal Supplement
 - Vehicle Traffic Control Signal Heads – Light Emitting Diode (LED) Vehicle Arrow Traffic Signal Supplement
 - Pedestrian Traffic Control Signal Indications –Light Emitting Diode (LED) Signal Modules.

(Note: The Department currently recognizes two approved independent testing laboratories. They are Intertek ETL Semko and Light Metrics, Incorporated with Garwood Laboratories. Independent laboratory tests from other laboratories may be considered as part of the QPL submittal at the discretion of the Department,

3. Evidence of conformance with the requirements of these specifications,
4. A manufacturer's warranty statement in accordance with the required warranty, and
5. Submittal of manufacturer's design and production documentation for the model, including but not limited to, electrical schematics, electronic component values, proprietary part numbers, bill of materials, and production electrical and photometric test parameters.
6. Evidence of approval of the product to bear the Intertek ETL Verified product label for LED traffic signal modules.

Ensure LED traffic signal modules meet the performance requirements for the minimum period of 15 years, provide a written warranty against defects in materials and workmanship for the modules for a period of 15 years after installation of the modules. During the warranty period, the manufacturer must provide new replacement modules within 45 days of receipt of modules that have failed at no cost to the State. Repaired or refurbished modules may not be used to fulfill the manufacturer's warranty obligations. Provide manufacturer's warranty documentation to the Department during evaluation of product for inclusion on Qualified Products List (QPL).

B. Vehicle Signal Heads:

Comply with the ITE standard "Vehicle Traffic Control Signal Heads". Provide housings with provisions for attaching backplates.

Provide visors that are 10 inches in length for 12-inch vehicle signal heads.

Provide a termination block with one empty terminal for field wiring for each indication plus one empty terminal for the neutral conductor. Have all signal sections wired to the termination block. Provide barriers between the terminals that have terminal screws with a minimum Number 8 thread size and that will accommodate and secure spade lugs sized for a Number 10 terminal screw.

Mount termination blocks in the yellow signal head sections on all in-line vehicle signal heads. Mount the termination block in the red section on five-section vehicle signal heads.

Furnish vehicle signal head interconnecting brackets. Provide one-piece aluminum brackets less than 4.5 inches in height and with no threaded pipe connections. Provide hand holes on the bottom of the brackets to aid in installing wires to the signal heads. Lower brackets that carry no wires and are used only for connecting the bottom signal sections together may be flat in construction.

For messenger cable mounting, provide messenger cable hangers, wire outlet bodies, balance adjusters, bottom caps, wire entrance fitting brackets, and all other hardware necessary to make complete, watertight connections of the vehicle signal heads to the messenger cable. Fabricate messenger cable hanger components, wire outlet bodies and balance adjuster components from stainless steel or malleable iron galvanized in accordance with ASTM A153 (Class A) or ASTM A123. Provide serrated rings made of aluminum. Provide messenger cable hangers with U-bolt clamps. Fabricate washers, screws, hex-head bolts and associated nuts, clevis pins, cotter pins, U-bolt clamps and nuts from stainless steel.

Provide LED vehicular traffic signal modules (hereafter referred to as modules) that consist of an assembly that uses LEDs as the light source in lieu of an incandescent lamp for use in traffic signal sections. Use LEDs that are aluminum indium gallium phosphorus (AlInGaP) technology for red and yellow indications and indium gallium nitride (InGaN) for green indications. Install the ultra bright type LEDs that are rated for 100,000 hours of continuous operation from -40°F to +165°F. Design modules to have a minimum useful life of 15 years and to meet all parameters of this specification during this period of useful life.

For the modules, provide spade terminals crimped to the lead wires and sized for a #10 screw connection to the existing terminal block in a standard signal head. Do not provide other types of crimped terminals with a spade adapter.

Ensure the power supply is integral to the module assembly. On the back of the module, permanently mark the date of manufacture (month & year) or some other method of identifying date of manufacture.

Tint the red, yellow and green lenses to correspond with the wavelength (chromaticity) of the LED. Transparent tinting films are unacceptable. Provide a lens that is integral to the unit with a smooth outer surface.

1. LED Circular Signal Modules:

Provide modules in the following configurations: 12-inch circular sections. All makes and models of LED modules purchased for use on the State Highway System shall appear on the current NCDOT Traffic Signal Qualified Products List (QPL).

Provide the manufacturer's model number and the product number (assigned by the Department) for each module that appears on the 2024 or most recent Qualified Products List. In addition, provide manufacturer's certification in accordance with Article 106-3 of the *Standard Specifications*, that each module meets or exceeds the ITE "Vehicle Traffic Control Signal Heads – Light Emitting Diode (LED) Circular Signal Supplement" dated June 27, 2005 (hereafter referred to as VTCSH Circular Supplement) and other requirements stated in this specification.

Provide modules that meet the following requirements when tested under the procedures outlined in the VTCSH Circular Supplement:

Module Type	Max. Wattage at 165° F	Nominal Wattage at 77° F
12-inch red circular	17	11
12-inch green circular	15	15

For yellow circular signal modules, provide modules tested under the procedures outlined in the VTCSH Circular Supplement to insure power required at 77° F is 22 Watts or less for the 12-inch circular module.

Note: Use a wattmeter having an accuracy of ±1% to measure the nominal wattage and maximum wattage of a circular traffic signal module. Power may also be derived from voltage, current and power factor measurements.

2. LED Arrow Signal Modules

Provide 12-inch omnidirectional arrow signal modules. All makes and models of LED modules purchased for use on the State Highway System shall appear on the current NCDOT Traffic Signal Qualified Products List (QPL).

Provide the manufacturer’s model number and the product number (assigned by the Department) for each module that appears on the 2024 or most recent Qualified Products List. In addition, provide manufacturer’s certification in accordance with Article 106-3 of the *Standard Specifications*, that each module meets or exceeds the requirements for 12-inch omnidirectional modules specified in the ITE “Vehicle Traffic Control Signal Heads – Light Emitting Diode (LED) Vehicle Arrow Traffic Signal Supplement” dated July 1, 2007 (hereafter referred to as VTCSH Arrow Supplement) and other requirements stated in this specification.

Provide modules that meet the following requirements when tested under the procedures outlined in the VTCSH Arrow Supplement:

Module Type	Max. Wattage at 165° F	Nominal Wattage at 77° F
12-inch red arrow	12	9
12-inch green arrow	11	11

For yellow arrow signal modules, provide modules tested under the procedures outlined in the VTCSH Arrow Supplement to insure power required at 77° F is 12 Watts or less.

Note: Use a wattmeter having an accuracy of ±1% to measure the nominal wattage and maximum wattage of an arrow traffic signal module. Power may also be derived from voltage, current and power factor measurements.

C. Pedestrian Signal Heads:

Provide pedestrian signal heads with international symbols that meet the MUTCD. Do not provide letter indications.

Comply with the ITE standard for “Pedestrian Traffic Control Signal Indications” and the following sections of the ITE standard for “Vehicle Traffic Control Signal Heads” in effect on the date of advertisement:

- Section 3.00 - “Physical and Mechanical Requirements”
- Section 4.01 - “Housing, Door, and Visor: General”
- Section 4.04 - “Housing, Door, and Visor: Materials and Fabrication”
- Section 7.00 - “Exterior Finish”

Provide a double-row termination block with three empty terminals and number 10 screws for field wiring. Provide barriers between the terminals that accommodate a spade lug sized for number

10 terminal screws. Mount the termination block in the hand section. Wire all signal sections to the terminal block.

Where required by the plans, provide 16-inch pedestrian signal heads with traditional three-sided, rectangular visors, 6 inches long.

Provide 2-inch diameter pedestrian push-buttons with weather-tight housings fabricated from die-cast aluminum and threading in compliance with the NEC for rigid metal conduit. Provide a weep hole in the housing bottom and ensure that the unit is vandal resistant.

Provide push-button housings that are suitable for mounting on flat or curved surfaces and that will accept 1/2-inch conduit installed in the top. Provide units that have a heavy duty push-button assembly with a sturdy, momentary, normally-open switch. Have contacts that are electrically insulated from the housing and push-button. Ensure that the push-buttons are rated for a minimum of 5 mA at 24 volts DC and 250 mA at 12 volts AC.

Provide standard R10-3 signs with mounting hardware that comply with the MUTCD in effect on the date of advertisement. Provide R10-3E signs for countdown pedestrian heads and R10-3B for non-countdown pedestrian heads.

Design the LED pedestrian traffic signal modules (hereafter referred to as modules) for installation into standard pedestrian traffic signal sections that do not contain the incandescent signal section reflector, lens, eggcrate visor, gasket, or socket. Provide modules that consist of an assembly that uses LEDs as the light source in lieu of an incandescent lamp. Use LEDs that are of the latest aluminum indium gallium phosphorus (AlInGaP) technology for the Portland Orange hand and countdown displays. Use LEDs that are of the latest indium gallium nitride (InGaN) technology for the Lunar White walking man displays. Install the ultra-bright type LEDs that are rated for 100,000 hours of continuous operation from -40°F to +165°F. Design modules to have a minimum useful life of 60 months and to meet all parameters of this specification during this period of useful life.

Design all modules to operate using a standard 3 - wire field installation. Provide spade terminals crimped to the lead wires and sized for a #10 screw connection to the existing terminal block in a standard pedestrian signal housing. Do not provide other types of crimped terminals with a spade adapter.

Ensure the power supply is integral to the module assembly. On the back of the module, permanently mark the date of manufacture (month & year) or some other method of identifying date of manufacture.

Provide modules in the following configuration: 16-inch displays which have the solid hand/walking man overlay on the left and the countdown on the right, and 12-inch displays which have the solid hand/walking man module as an overlay. All makes and models of LED modules purchased for use on the State Highway System shall appear on the current NCDOT Traffic Signal Qualified Products List (QPL).

Provide the manufacturer's model number and the product number (assigned by the Department) for each module that appears on the 2024 or most recent Qualified Products List. In addition, provide manufacturer's certification in accordance with Article 106-3 of the *Standard Specifications*, that each module meets or exceeds the ITE "Pedestrian Traffic Control Signal Indicators - Light Emitting Diode (LED) Signal Modules" dated August 04, 2010 (hereafter referred to as PTCSI Pedestrian Standard) and other requirements stated in this specification.

Provide modules that meet the following requirements when tested under the procedures outlined in the PTCSI Pedestrian Standard:

Module Type	Max. Wattage at 165° F	Nominal Wattage at 77° F
Hand Indication	16	13
Walking Man Indication	12	9
Countdown Indication	16	13

Note: Use a wattmeter having an accuracy of $\pm 1\%$ to measure the nominal wattage and maximum wattage of a circular traffic signal module. Power may also be derived from voltage, current and power factor measurements.

Provide module lens that is hard coated or otherwise made to comply with the material exposure and weathering effects requirements of the Society of Automotive Engineers (SAE) J576. Ensure all exposed components of the module are suitable for prolonged exposure to the environment, without appreciable degradation that would interfere with function or appearance.

Ensure the countdown display continuously monitors the traffic controller to automatically learn the pedestrian phase time and update for subsequent changes to the pedestrian phase time.

Ensure the countdown display begins normal operation upon the completion of the preemption sequence and no more than one pedestrian clearance cycle.

2. LED BLANKOUT SIGN

2.1. MATERIALS

Provide a message display that is a PCB matrix with a matte black solder mask with minimum thickness of 0.093 inches and a silk-screened component identifier. Mount LEDs on front of the PCB matrix. Mount all other components on the back of the black matrix. Ensure that a person with 20/20 vision can read a fully intensified, legible message from 500 feet in front of the sign under any light conditions. Ensure the message is not legible when the sign is off, even if in direct sunlight.

Use white LEDs that are the latest InGaN technology or better with a minimum luminous intensity of 6,000 mcd at 20 mA. Distribute the LEDs evenly. Connect the individual LED light sources so that failure of a single LED will result in a loss of no more than 5 LEDs. Ensure the sign is still legible.

Protect and seal the rear side of the PCB with a molded polymeric back cover. Mount the display PCB with back cover into the front door, which consists of an aluminum frame and face lens. Provide a clear 0.25-inch, non-glare, matte finish polycarbonate lens with a UV resistant surface treatment. Ensure that the lens has light transmission properties equal to or greater than 80%.

Fabricate the weatherproof housing out of 0.125 inch aluminum with all corner seams welded their full length. Weld the full length of all corner seams using tungsten inert gas method. Install a terminal block that accommodates a spade lug sized for a number 10 terminal screw. Provide 4 terminals with each having 2 terminal screws that have a shorting bar between them. Fabricate an entrance for wires on top-center of the housing that is compatible to connect a standard traffic signal mounting gooseneck (wire entrance).

Provide a standard sun visor made of 1/16-inch aluminum. Paint the inside of the visor with 2 coats of dull black paint. Paint the exterior and interior of the sign case and the outside of the visor Federal Standard 595C yellow by the dry powder method. Apply the yellow finish by electrostatic spray and heat cure. Ensure the thickness of the finish is a minimum of 2.5 mils thick. Do not apply paint to the latching hardware.

Ensure that the LED current does not exceed the manufacturer's maximum current rating. Provide voltage surge protection to withstand high repetition noise transients and low repetition high energy transients as stated in section 2.1.6 of the NEMA Standard TS-2, 2021.

Ensure compatibility and proper triggering and operation with load switches and conflict monitors in signal controllers currently used by the Department. Ensure the on-board circuitry meets FCC title 47, sub-part B, section 15 regulations on the emission of electronic noise.

Design and certify the LED blank out sign to operate over a temperature range of -35°F to 165°F with an operating voltage range of 105 to 130 volts. Ensure that all electronic components are standard industry items that are available from wholesale electronics distributors. Provide components that are “solid state” type. Do not use electro-mechanical components.

3. CONTROLLERS WITH CABINETS

3.1. MATERIALS – TYPE 2070LX CONTROLLERS

Furnish model 2070LX controller units that conform to CALTRANS *Transportation Electrical Equipment Specifications* (TEES) (dated March 12, 2009, plus Errata 1 dated January 21, 2010 and Errata 2 dated December 5, 2014) except as required herein.

The Department will provide software at the beginning of the burning-in period. Contractor shall give 5 working days notice before needing software. Program software provided by the Department.

Provide model 2070LX controllers with Linux kernel 2.6.18 or higher and device drivers, composed of the unit chassis and at a minimum the following modules and assemblies:

- MODEL 2070-1C, CPU Module, Single Board, with 8Mb Datakey (blue in color)
- MODEL 2070-2E+, Field I/O Module (FI/O)
 - Note: Configure the Field I/O Module to disable both the External WDT Shunt/Toggle Switch and SP3 (SP3 active indicator is “off”)
- MODEL 2070-3B, Front Panel Module (FP), Display B (8x40)
- MODEL 2070-4A, Power Supply Module, 10 AMP

Provide a Board Support Package (BSP) to the state and to any specified applications software manufacturer when requested by the state to facilitate the porting of application software.

3.2. MATERIALS – GENERAL CABINETS

Provide a moisture resistant coating on all circuit boards.

Provide one 20 mm diameter radial lead UL-recognized metal oxide varistor (MOV) between each load switch field terminal and equipment ground. Electrical performance is outlined below.

PROPERTIES OF MOV SURGE PROTECTOR	
Maximum Continuous Applied Voltage at 185° F	150 VAC (RMS) 200 VDC
Maximum Peak 8x20µs Current at 185° F	6500 A
Maximum Energy Rating at 185° F	80 J
Voltage Range 1 mA DC Test at 77° F	212-268 V
Max. Clamping Voltage 8x20µs, 100A at 77° F	395 V
Typical Capacitance (1 MHz) at 77° F	1600 pF

Provide a power line surge protector that is a two-stage device that will allow connection of the radio frequency interference filter between the stages of the device. Ensure that a maximum

continuous current is at least 10A at 120V. Ensure that the device can withstand a minimum of 20 peak surge current occurrences at 20,000A for an 8x20 microsecond waveform. Provide a maximum clamp voltage of 395V at 20,000A with a nominal series inductance of 200µh. Ensure that the voltage does not exceed 395V. Provide devices that comply with the following:

Frequency (Hz)	Minimum Insertion Loss (dB)
60	0
10,000	30
50,000	55
100,000	50
500,000	50
2,000,000	60
5,000,000	40
10,000,000	20
20,000,000	25

3.3. MATERIALS – TYPE 170E CABINETS

A. Type 170 E Cabinets General:

Conform to the city of Los Angeles’ Specification No. 54-053-08, *Traffic Signal Cabinet Assembly Specification* (dated July 2008), except as required herein.

Furnish model 332 base mounted cabinets configured for 8 vehicle phases, 4 pedestrian phases, and 6 overlaps. When overlaps are required, provide auxiliary output files for the overlaps. Do not reassign load switches to accommodate overlaps unless shown on electrical details.

Provide model 200 load switches, model 222 loop detector sensors, model 252 AC isolators, and model 242 DC isolators according to the electrical details. As a minimum, provide one (1) model 2018 conflict monitor, one (1) model 206L power supply unit, two (2) model 204 flashers, one (1) DC isolator (located in slot I14), and four (4) model 430 flash transfer relays (provide seven (7) model 430 flash transfer relays if auxiliary output file is installed) with each cabinet.

B. Type 170 E Cabinet Electrical Requirements:

Provide a cabinet assembly designed to ensure that upon leaving any cabinet switch or conflict monitor initiated flashing operation, the controller starts up in the programmed start up phases and start up interval.

Furnish two sets of non-fading cabinet wiring diagrams and schematics in a paper envelope or container and placed in the cabinet drawer.

All AC+ power is subject to radio frequency signal suppression.

Provide surge suppression in the cabinet for each type of cabinet device. Provide surge protection for the full capacity of the cabinet input file. Provide surge suppression devices that operate properly over a temperature range of -40° F to +185° F. Ensure the surge suppression devices provide both common and differential modes of protection.

Provide a pluggable power line surge protector that is installed on the back of the PDA (power distribution assembly) chassis to filter and absorb power line noise and switching transients. Ensure

the device incorporates LEDs for failure indication and provides a dry relay contact closure for the purpose of remote sensing. Ensure the device meets the following specifications:

- Peak Surge Current (Single pulse, 8x20µs).....20,000A
- Occurrences (8x20µs waveform).....10 minimum @ 20,000A
- Maximum Clamp Voltage.....395VAC
- Operating Current.....15 amps
- Response Time.....< 5 nanoseconds

Provide a loop surge suppressor for each set of loop terminals in the cabinet. Ensure the device meets the following specifications:

- Peak Surge Current (6 times, 8x20µs)
 - (Differential Mode).....400A
 - (Common Mode).....1,000A
- Occurrences (8x20µs waveform).....500 min @ 200A
- Maximum Clamp Voltage
 - (Differential Mode @400A).....35V
 - (Common Mode @1,000A).....35V
- Response Time.....< 5 nanoseconds
- Maximum Capacitance.....35 pF

Provide a data communications surge suppressor for each communications line entering or leaving the cabinet. Ensure the device meets the following specifications:

- Peak Surge Current (Single pulse, 8x20µs).....10,000A
- Occurrences (8x20µs waveform).....100 min @ 2,000A
- Maximum Clamp Voltage.....Rated for equipment protected
- Response Time.....< 1 nanosecond
- Maximum Capacitance.....1,500 pF
- Maximum Series Resistance.....15Ω

Provide a DC signal surge suppressor for each DC input channel in the cabinet. Ensure the device meets the following specifications:

- Peak Surge Current (Single pulse, 8x20µs).....10,000A
- Occurrences (8x20µs waveform).....100 @ 2,000A
- Maximum Clamp Voltage.....30V
- Response Time.....< 1 nanosecond

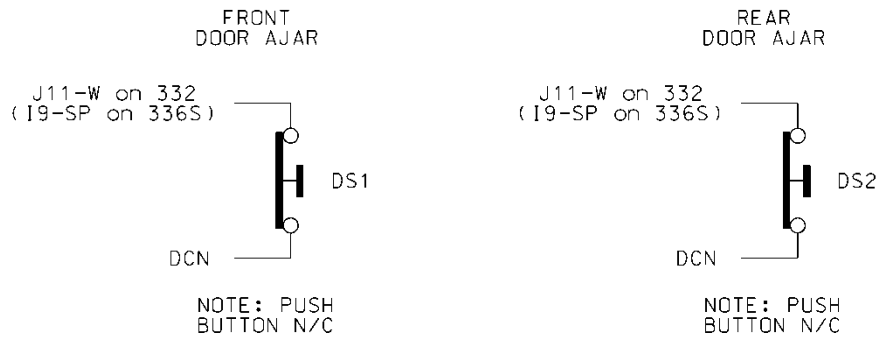
Provide a 120 VAC signal surge suppressor for each AC+ interconnect signal input. Ensure the device meets the following specifications:

- Peak Surge Current (Single pulse, 8x20µs).....20,000A
- Maximum Clamp Voltage.....350VAC
- Response Time.....< 200 nanoseconds
- Discharge Voltage.....<200 Volts @ 1,000A
- Insulation Resistance.....≥100 MΩ

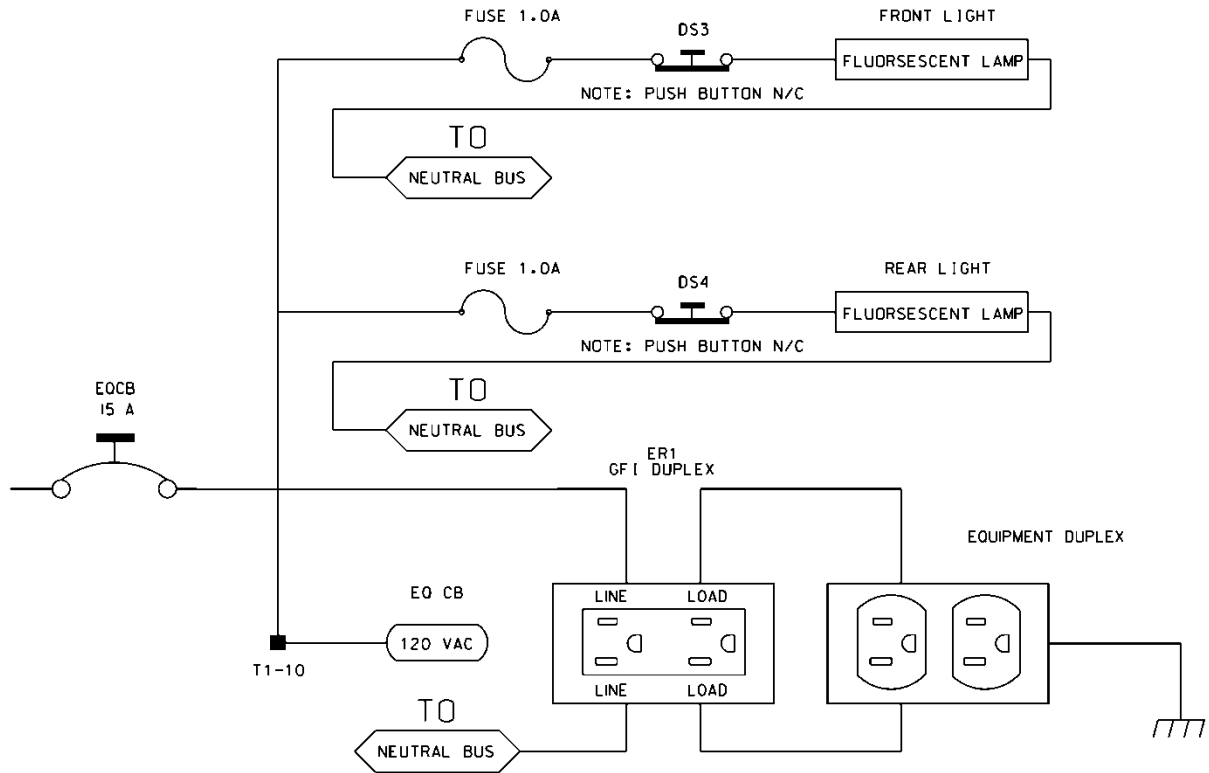
Provide conductors for surge protection wiring that are of sufficient size (ampacity) to withstand maximum overcurrents which could occur before protective device thresholds are attained and current flow is interrupted.

If additional surge protected power outlets are needed to accommodate fiber transceivers, modems, etc., install a UL listed, industrial, heavy-duty type power outlet strip with a minimum rating of 15 A / 125 VAC, 60 Hz. Provide a strip that has a minimum of 3 grounded outlets. Ensure the power outlet strip plugs into one of the controller unit receptacles located on the rear of the PDA. Ensure power outlet strip is mounted securely; provide strain relief if necessary.

Provide a door switch in the front and a door switch in the rear of the cabinet that will provide the controller unit with a Door Ajar alarm when either the front or the rear door is open. Ensure the door switches apply DC ground to the Input File when either the front door or the rear door is open.



Furnish a fluorescent fixture in the rear across the top of the cabinet and another fluorescent fixture in the front across the top of the cabinet at a minimum. Ensure that the fixtures provide sufficient light to illuminate all terminals, labels, switches, and devices in the cabinet. Conveniently locate the fixtures so as not to interfere with a technician’s ability to perform work on any devices or terminals in the cabinet. Provide a protective diffuser to cover exposed bulbs. Install 16 watt T-4 lamps in the fluorescent fixtures. Provide a door switch to provide power to each fixture when the respective door is open. Wire the fluorescent fixtures to the 15 amp ECB (equipment circuit breaker).



Furnish a police panel with a police panel door. Ensure that the police panel door permits access to the police panel when the main door is closed. Ensure that no rainwater can enter the cabinet even with the police panel door open. Provide a police panel door hinged on the right side as viewed from the front. Provide a police panel door lock that is keyed to a standard police/fire call box key. In addition to the requirements of LA Specification No. 54-053-08, provide the police panel with a toggle switch connected to switch the intersection operation between normal stop-and-go operation (AUTO) and manual operation (MANUAL). Ensure that manual control can be implemented using inputs and software such that the controller provides full programmed clearance times for the yellow clearance and red clearance for each phase while under manual control.

Provide a 1/4-inch locking phone jack in the police panel for a hand control to manually control the intersection. Provide sufficient room in the police panel for storage of a hand control and cord.

For model 332 base mounted cabinets, ensure terminals J14-E and J14-K are wired together on the rear of the Input File. Connect TB9-12 (J14 Common) on the Input Panel to T1-2 (AC-) on the rear of the PDA.

Provide detector test switches mounted at the top of the cabinet rack or other convenient location which may be used to place a call on each of eight phases based on the chart below. Provide three positions for each switch: On (place call), Off (normal detector operation), and Momentary On (place momentary call and return to normal detector operation after switch is released). Ensure that the switches are located such that the technician can read the controller display and observe the intersection.

Connect detector test switches for cabinets as follows:

332 Cabinet	
Detector Call Switches	Terminals
Phase 1	I1-W
Phase 2	I4-W
Phase 3	I5-W
Phase 4	I8-W
Phase 5	J1-W
Phase 6	J4-W
Phase 7	J5-W
Phase 8	J8-W

Provide the PCB 28/56 connector for the conflict monitor unit (CMU) with 28 independent contacts per side, dual-sided with 0.156 inch contact centers. Provide the PCB 28/56 connector contacts with solder eyelet terminations. Ensure all connections to the PCB 28/56 connector are soldered to the solder eyelet terminations.

Ensure that all cabinets have the CMU connector wired according to the 332 cabinet connector pin assignments (include all wires for auxiliary output file connection). Wire pins 13, 16, R, and U of the CMU connector to a separate 4 pin plug, P1, as shown below. Provide a second plug, P2, which will mate with P1 and is wired to the auxiliary output file as shown below. Provide an additional plug, P3, which will mate with P1 and is wired to the pedestrian yellow circuits as shown below. When no auxiliary output file is installed in the cabinet, provide wires for the green and yellow inputs for channels 11, 12, 17, and 18, the red inputs for channels 17 and 18, and the wires for the P2 plug. Terminate the two-foot wires with ring type lugs, insulated, and bundled for optional use.

PIN	P1		P2		P3	
	FUNCTION	CONN TO	FUNCTION	CONN TO	FUNCTION	CONN TO
1	CH-9G	CMU-13	OLA-GRN	A123	2P-YEL	114
2	CH-9Y	CMU-16	OLA-YEL	A122	4P-YEL	105
3	CH-10G	CMU-R	OLB-GRN	A126	6P-YEL	120
4	CH-10Y	CMU-U	OLB-YEL	A125	8P-YEL	111

Do not provide the P20 terminal assembly (red monitor board) or red interface ribbon cable as specified in LA Specification No. 54-053-08.

Provide a P20 connector that mates with and is compatible with the red interface connector mounted on the front of the conflict monitor. Ensure that the P20 connector and the red interface connector on the conflict monitor are center polarized to ensure proper connection. Ensure that removal of the P20 connector will cause the conflict monitor to recognize a latching fault condition and place the cabinet into flashing operation.

Wire the P20 connector to the output file and auxiliary output file using 22 AWG stranded wires. Ensure the length of these wires is a minimum of 42 inches in length. Provide a durable braided sleeve around the wires to organize and protect the wires.

Wire the P20 connector to the traffic signal red displays to provide inputs to the conflict monitor as shown below. Ensure the pedestrian Don't Walk circuits are wired to channels 13 through 16 of the P20 connector. When no auxiliary output file is installed in the cabinet, provide wires for channels 9 through 12 reds. Provide a wire for special function 1. Terminate the unused wires with ring type lugs, insulated, and bundled for optional use.

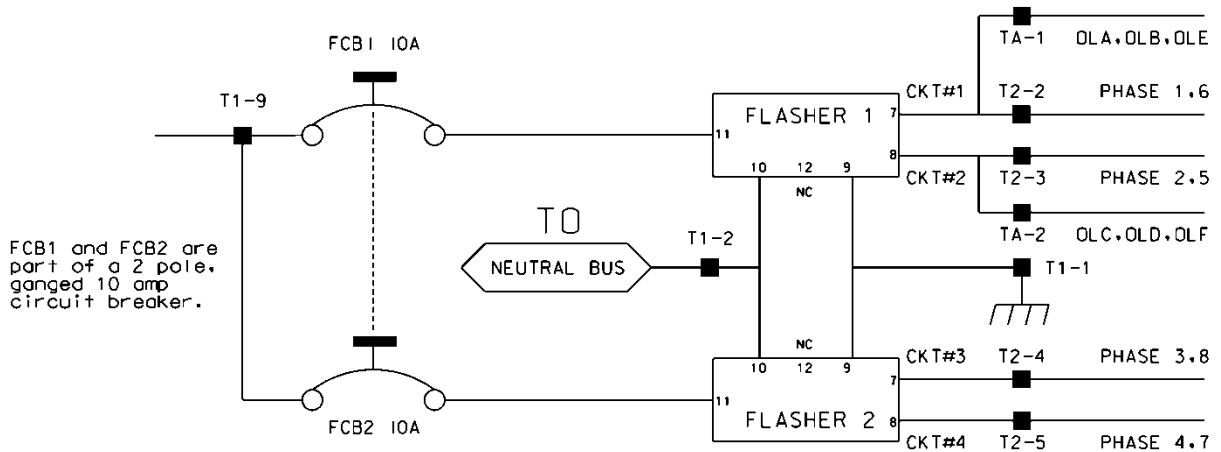
P20 Connector					
PIN	FUNCTION	CONN TO	PIN	FUNCTION	CONN TO
1	Channel 15 Red	119	2	Channel 16 Red	110
3	Channel 14 Red	104	4	Chassis GND	01-9
5	Channel 13 Red	113	6	N/C	
7	Channel 12 Red	AUX 101	8	Spec Function 1	
9	Channel 10 Red	AUX 124	10	Channel 11 Red	AUX 114
11	Channel 9 Red	AUX 121	12	Channel 8 Red	107
13	Channel 7 Red	122	14	Channel 6 Red	134
15	Channel 5 Red	131	16	Channel 4 Red	101
17	Channel 3 Red	116	18	Channel 2 Red	128
19	Channel 1 Red	125	20	Red Enable	01-14

Ensure the controller unit outputs to the auxiliary output file are pre-wired to the C5 connector. When no auxiliary output file is installed in the cabinet, connect the C5 connector to a storage socket located on the Input Panel or on the rear of the PDA.

Do not wire pin 12 of the load switch sockets.

In addition to the requirements of LA Specification No. 54-053-08, ensure relay K1 on the Power Distribution Assembly (PDA) is a four pole relay and K2 on the PDA is a two pole relay.

Provide a two pole, ganged circuit breaker for the flash bus circuit. Ensure the flash bus circuit breaker is an inverse time circuit breaker rated for 10 amps at 120 VAC with a minimum of 10,000 RMS symmetrical amperes short circuit current rating. Do not provide the auxiliary switch feature on the flash bus circuit breaker. Ensure the ganged flash bus circuit breaker is certified by the circuit breaker manufacturer to provide gang tripping operation.



Ensure auxiliary output files are wired as follows:

AUXILIARY OUTPUT FILE TERMINAL BLOCK TA ASSIGNMENTS	
POSITION	FUNCTION
1	Flasher Unit #1, Circuit 1/FTR1 (OLA, OLB)/FTR3 (OLE)
2	Flasher Unit #1, Circuit 2/FTR2 (OLC, OLD)/FTR3 (OLF)
3	Flash Transfer Relay Coils
4	AC -
5	Power Circuit 5
6	Power Circuit 5
7	Equipment Ground Bus
8	NC

Provide four spare load resistors mounted in each cabinet. Ensure each load resistor is rated as shown in the table below. Wire one side of each load resistor to AC-. Connect the other side of each resistor to a separate terminal on a four (4) position terminal block. Mount the load resistors and terminal block either inside the back of Output File No. 1 or on the upper area of the Service Panel.

ACCEPTABLE LOAD RESISTOR VALUES	
VALUE (ohms)	WATTAGE
1.5K – 1.9 K	25W (min)
2.0K – 3.0K	10W (min)

Provide Model 200 load switches, Model 204 flashers, Model 242 DC isolators, Model 252 AC isolators, and Model 206L power supply units that conform to CALTRANS' *Transportation Electrical Equipment Specifications* dated March 12, 2009 with Erratum 1.

C. Type 170 E Cabinet Physical Requirements:

Do not mold, cast, or scribe the name "City of Los Angeles" on the outside of the cabinet door as specified in LA Specification No. 54-053-08. Do not provide a Communications Terminal Panel as specified in LA Specification No. 54-053-08. Do not provide terminal block TBB on the Service Panel. Do not provide Cabinet Verification Test Program software or associated test jigs as specified in LA Specification No. 54-053-08.

Furnish unpainted, natural, aluminum cabinet shells. Ensure that all non-aluminum hardware on the cabinet is stainless steel or a Department approved non-corrosive alternate.

Ensure the lifting eyes, gasket channels, police panel, and all supports welded to the enclosure and doors are fabricated from 0.125 inch minimum thickness aluminum sheet and meet the same standards as the cabinet and doors.

Provide front and rear doors with latching handles that allow padlocking in the closed position. Furnish 0.75 inch minimum diameter stainless steel handles with a minimum 0.5 inch shank. Place the padlocking attachment at 4.0 inches from the handle shank center to clear the lock and key. Provide an additional 4.0 inches minimum gripping length.

Provide Corbin #2 locks on the front and rear doors. Provide one (1) Corbin #2 and one (1) police master key with each cabinet. Ensure main door locks allow removal of keys in the locked position only.

Provide a surge protection panel with 16 loop surge protection devices and designed to allow sufficient free space for wire connection/disconnection and surge protection device replacement. For model 332 cabinets, provide an additional 20 loop surge protection devices. Provide an additional two AC+ interconnect surge devices to protect one slot and eight DC surge protection devices to protect four slots. Provide no protection devices on slot I14.

For base mounted cabinets, mount surge protection panels on the left side of the cabinet as viewed from the rear. Attach each panel to the cabinet rack assembly using bolts and make it easily removable. Mount the surge protection devices in vertical rows on each panel and connect the devices to one side of 12 position, double row terminal blocks with #8 screws. For each surge protection panel, terminate all grounds from the surge protection devices on a copper equipment ground bus attached to the surge protection panel. Wire the terminals to the rear of a standard input file using spade lugs for input file protection.

Provide permanent labels that indicate the slot and the pins connected to each terminal that may be viewed from the rear cabinet door. Label and orient terminals so that each pair of inputs is next to each other. Indicate on the labeling the input file (I or J), the slot number (1-14) and the terminal pins of the input slots (either D & E for upper or J & K for lower).

Provide a minimum 14 x 16 inch pull out, hinged top shelf located immediately below controller mounting section of the cabinet. Ensure the shelf is designed to fully expose the table surface outside the controller at a height approximately even with the bottom of the controller. Ensure the shelf has a storage bin interior which is a minimum of 1 inch deep and approximately the same dimensions as the shelf. Provide an access to the storage area by lifting the hinged top of the shelf. Fabricate the shelf and slide from aluminum or stainless steel and ensure the assembly can support the 2070L controller plus 15 pounds of additional weight. Ensure shelf has a locking mechanism to secure it in the fully extended position and does not inhibit the removal of the 2070L controller or removal of

cards inside the controller when fully extended. Provide a locking mechanism that is easily released when the shelf is to be returned to its non-use position directly under the controller.

D. Model 2018 Enhanced Conflict Monitor:

Furnish Model 2018 Enhanced Conflict Monitors that provide monitoring of 18 channels. Ensure each channel consists of a green, yellow, and red field signal input. Ensure that the conflict monitor meets or exceeds CALTRANS' Transportation Electrical Equipment Specifications dated March 12, 2009, with Erratum 1 (hereafter referred to as CALTRANS' 2009 TEES) for a model 210 monitor unit and other requirements stated in this specification.

Ensure the conflict monitor is provided with an 18 channel conflict programming card. Pin EE and Pin T of the conflict programming card shall be connected together. Pin 16 of the conflict programming card shall be floating. Ensure that the absence of the conflict programming card will cause the conflict monitor to trigger (enter into fault mode), and remain in the triggered state until the programming card is properly inserted and the conflict monitor is reset.

Provide a conflict monitor that incorporates LED indicators into the front panel to dynamically display the status of the monitor under normal conditions and to provide a comprehensive review of field inputs with monitor status under fault conditions. Ensure that the monitor indicates the channels that were active during a conflict condition and the channels that experienced a failure for all other per channel fault conditions detected. Ensure that these indications and the status of each channel are retained until the Conflict Monitor is reset. Furnish LED indicators for the following:

- AC Power (Green LED indicator)
- VDC Failed (Red LED indicator)
- WDT Error (Red LED indicator)
- Conflict (Red LED indicator)
- Red Fail (Red LED indicator)
- Dual Indication (Red LED indicator)
- Yellow/Clearance Failure (Red LED indicator)
- PCA/PC Ajar (Red LED indicator)
- Monitor Fail/Diagnostic Failure (Red LED indicator)
- 54 Channel Status Indicators (1 Red, 1 Yellow, and 1 Green LED indicator for each of the 18 channels)

Provide a switch to set the Red Fail fault timing. Ensure that when the switch is in the ON position the Red Fail fault timing value is set to 1350 +/- 150 ms (2018 mode). Ensure that when the switch is in the OFF position the Red Fail fault timing value is set to 850 +/- 150 ms (210 mode).

Provide a switch to set the Watchdog fault timing. Ensure that when the switch is in the ON position the Watchdog fault timing value is set to 1.0 +/- 0.1 s (2018 mode). Ensure that when the switch is in the OFF position the Watchdog fault timing value is set to 1.5 +/- 0.1 s (210 mode).

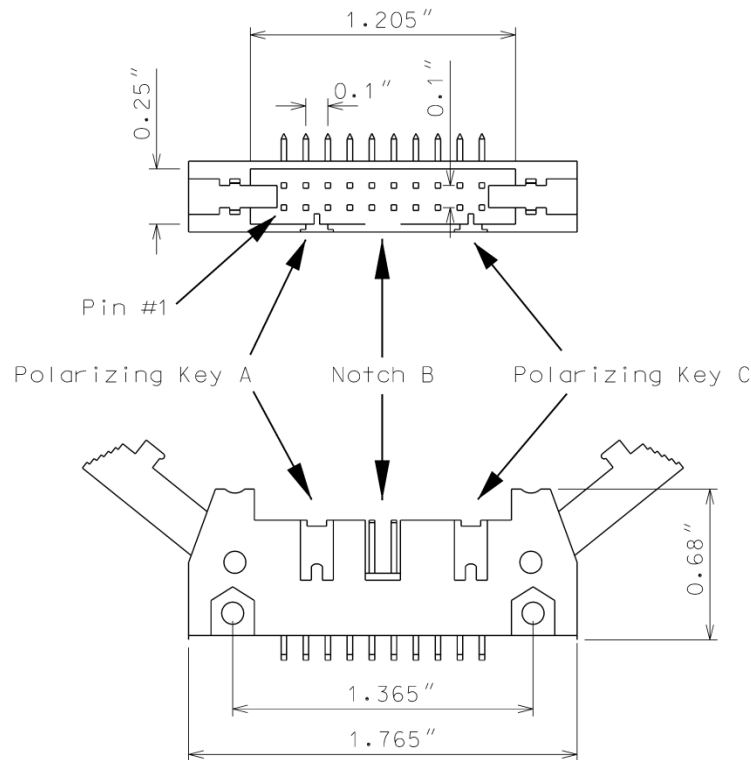
Provide a jumper or switch to set the AC line brown-out levels. Ensure that when the jumper is present or the switch is in the ON position the AC line dropout voltage threshold is 98 +/- 2 Vrms, the AC line restore voltage threshold is 103 +/- 2 Vrms, and the AC line brown-out timing value is set to 400 +/- 50ms (2018 mode). Ensure that when the jumper is not present or the switch is in the OFF position the AC line dropout voltage threshold is 92 +/- 2 Vrms, the AC line restore voltage

threshold is 98 +/- 2 Vrms, and the AC line brown-out timing value is set to 80 +/- 17 ms (210 mode).

Provide a jumper or switch that will enable and disable the Watchdog Latch function. Ensure that when the jumper is not present or the switch is in the OFF position the Watchdog Latch function is disabled. In this mode of operation, a Watchdog fault will be reset following a power loss, brownout, or power interruption. Ensure that when the jumper is present or the switch is in the ON position the Watchdog Latch function is enabled. In this mode of operation, a Watchdog fault will be retained until a Reset command is issued.

Provide a jumper that will reverse the active polarity for pin #EE (output relay common). Ensure that when the jumper is not present pin #EE (output relay common) will be considered 'Active' at a voltage greater than 70 Vrms and 'Not Active' at a voltage less than 50 Vrms (Caltrans mode). Ensure that when the jumper is present pin #EE (output relay common) will be considered 'Active' at a voltage less than 50 Vrms and 'Not Active' at a voltage greater than 70 Vrms (Failsafe mode).

In addition to the connectors required by CALTRANS' 2009 TEES, provide the conflict monitor with a red interface connector mounted on the front of the monitor. Ensure the connector is a 20 pin, right angle, center polarized, male connector with latching clip locks and polarizing keys. Ensure the right angle solder tails are designed for a 0.062" thick printed circuit board. Keying of the connector shall be between pins 3 and 5, and between 17 and 19. Ensure the connector has two rows of pins with the odd numbered pins on one row and the even pins on the other row. Ensure the connector pin row spacing is 0.10" and pitch is 0.10". Ensure the mating length of the connector pins is 0.24". Ensure the pins are finished with gold plating 30µ" thick.



Ensure the red interface connector pins on the monitor have the following functions:

Pin #	Function	Pin #	Function
1	Channel 15 Red	2	Channel 16 Red
3	Channel 14 Red	4	Chassis Ground
5	Channel 13 Red	6	Special Function 2
7	Channel 12 Red	8	Special Function 1
9	Channel 10 Red	10	Channel 11 Red
11	Channel 9 Red	12	Channel 8 Red
13	Channel 7 Red	14	Channel 6 Red
15	Channel 5 Red	16	Channel 4 Red
17	Channel 3 Red	18	Channel 2 Red
19	Channel 1 Red	20	Red Enable

Ensure that removal of the P20 cable connector will cause the conflict monitor to recognize a latching fault condition and place the cabinet into flashing operation.

Provide Special Function 1 and Special Function 2 inputs to the unit which shall disable only Red Fail Monitoring when either input is sensed active. A Special Function input shall be sensed active when the input voltage exceeds 70 Vrms with a minimum duration of 550 ms. A Special Function input shall be sensed not active when the input voltage is less than 50 Vrms or the duration is less than 250 ms. A Special Function input is undefined by these specifications and may or may not be sensed active when the input voltage is between 50 Vrms and 70 Vrms or the duration is between 250 ms and 550 ms.

Ensure the conflict monitor recognizes field signal inputs for each channel that meet the following requirements:

- consider a Red input greater than 70 Vrms and with a duration of at least 500 ms as an “on” condition;
- consider a Red input less than 50 Vrms or with a duration of less than 200 ms as an “off” condition (no valid signal);
- consider a Red input between 50 Vrms and 70 Vrms or with a duration between 200 ms and 500 ms to be undefined by these specifications;
- consider a Green or Yellow input greater than 25 Vrms and with a duration of at least 500 ms as an “on” condition;
- consider a Green or Yellow input less than 15 Vrms or with a duration of less than 200 ms as an “off” condition; and
- consider a Green or Yellow input between 15 Vrms and 25 Vrms or with a duration between 200 ms and 500 ms to be undefined by these specifications.

Provide a conflict monitor that recognizes the faults specified by CALTRANS’ 2009 TEES and the following additional faults. Ensure the conflict monitor will trigger upon detection of a fault and will remain in the triggered (in fault mode) state until the unit is reset at the front panel or through the external remote reset input for the following failures:

1. **Red Monitoring or Absence of Any Indication (Red Failure):** A condition in which no “on” voltage signal is detected on any of the green, yellow, or red inputs to a given monitor channel. If a signal is not detected on at least one input (R, Y, or G) of a conflict monitor

channel for a period greater than 1000 ms when used with a 170 controller and 1500 ms when used with a 2070 controller, ensure monitor will trigger and put the intersection into flash. If the absence of any indication condition lasts less than 700 ms when used with a 170 controller and 1200 ms when used with a 2070 controller, ensure conflict monitor will not trigger. Red fail monitoring shall be enabled on a per channel basis by the use of switches located on the conflict monitor. Have red monitoring occur when all of the following input conditions are in effect:

- a) Red Enable input to monitor is active (Red Enable voltages are “on” at greater than 70 Vrms, off at less than 50 Vrms, undefined between 50 and 70 Vrms), and
 - b) Neither Special Function 1 nor Special Function 2 inputs are active.
 - c) Pin #EE (output relay common) is not active
2. **Short/Missing Yellow Indication Fault (Clearance Error):** Yellow indication following a green is missing or shorter than 2.7 seconds (with ± 0.1 -second accuracy). If a channel fails to detect an “on” signal at the Yellow input for a minimum of 2.7 seconds (± 0.1 second) following the detection of an “on” signal at a Green input for that channel, ensure that the monitor triggers and generates a clearance/short yellow error fault indication. Short/missing yellow (clearance) monitoring shall be enabled on a per channel basis by the use of switches located on the conflict monitor. This fault shall not occur when the channel is programmed for Yellow Inhibit, when the Red Enable signal is inactive or pin #EE (output relay common) is active.
 3. **Dual Indications on the Same Channel:** In this condition, more than one indication (R,Y,G) is detected as “on” at the same time on the same channel. If dual indications are detected for a period greater than 500 ms, ensure that the conflict monitor triggers and displays the proper failure indication (Dual Ind fault). If this condition is detected for less than 200 ms, ensure that the monitor does not trigger. G-Y-R dual indication monitoring shall be enabled on a per channel basis by the use of switches located on the conflict monitor. G-Y dual indication monitoring shall be enabled for all channels by use of a switch located on the conflict monitor. This fault shall not occur when the Red Enable signal is inactive or pin #EE (output relay common) is active.
 4. **Configuration Settings Change:** The configuration settings are comprised of (as a minimum) the permissive diode matrix, dual indication switches, yellow disable jumpers, any option switches, any option jumpers, and the Watchdog Enable switch. Ensure the conflict monitor compares the current configuration settings with the previous stored configuration settings on power-up, on reset, and periodically during operation. If any of the configuration settings are changed, ensure that the conflict monitor triggers and causes the program card indicator to flash. Ensure that configuration change faults are only reset by depressing and holding the front panel reset button for a minimum of three seconds. Ensure the external remote reset input does not reset configuration change faults.

Ensure the conflict monitor will trigger and the AC Power indicator will flash at a rate of 2 Hz \pm 20% with a 50% duty cycle when the AC Line voltage falls below the “drop-out” level. Ensure the conflict monitor will resume normal operation when the AC Line voltage returns above the “restore” level. Ensure the AC Power indicator will remain illuminated when the AC voltage returns above the “restore” level. Should an AC Line power interruption occur while the monitor is in the fault mode, then upon restoration of AC Line power, the monitor will remain in the fault mode and the correct fault and channel indicators will be displayed.

Provide a flash interval of at least 6 seconds and at most 16 seconds in duration following a power-up, an AC Line interruption, or a brownout restore. Ensure the conflict monitor will suspend all fault monitoring functions, close the Output relay contacts, and flash the AC indicator at a rate of 4 Hz ± 20% with a 50% duty cycle during this interval. Ensure the termination of the flash interval after at least 6 seconds if the Watchdog input has made 5 transitions between the True and False state and the AC Line voltage is greater than the “restore” level. If the watchdog input has not made 5 transitions between the True and False state within 10 ± 0.5 seconds, the monitor shall enter a WDT error fault condition.

Ensure the conflict monitor will monitor an intersection with a minimum of four approaches using the four-section Flashing Yellow Arrow (FYA) vehicle traffic signal as outlined by the NCHRP 3-54 research project for protected-permissive left turn signal displays. Ensure the conflict monitor will operate in the FYA mode and FYAc (Compact) mode as specified below to monitor each channel pair for the following fault conditions: Conflict, Flash Rate Detection, Red Fail, Dual Indication, and Clearance. Provide a switch to select between the FYA mode and FYAc mode. Provide a switch to select each FYA phase movement for monitoring.

FYA mode

FYA Signal Head	Phase 1	Phase 3	Phase 5	Phase 7
Red Arrow	Channel 9 Red	Channel 10 Red	Channel 11 Red	Channel 12 Red
Yellow Arrow	Channel 9 Yellow	Channel 10 Yellow	Channel 11 Yellow	Channel 12 Yellow
Flashing Yellow Arrow	Channel 9 Green	Channel 10 Green	Channel 11 Green	Channel 12 Green
Green Arrow	Channel 1 Green	Channel 3 Green	Channel 5 Green	Channel 7 Green

If a FYA channel pair is enabled for FYA operation, the conflict monitor will monitor the FYA logical channel pair for the additional following conditions:

1. **Conflict:** Channel conflicts are detected based on the permissive programming jumpers on the program card. This operation remains unchanged from normal operation except for the solid Yellow arrow (FYA clearance) signal.
2. **Yellow Change Interval Conflict:** During the Yellow change interval of the Permissive Turn channel (flashing Yellow arrow) the conflict monitor shall verify that no conflicting channels to the solid Yellow arrow channel (clearance) are active. These conflicting channels shall be determined by the program card compatibility programming of the Permissive Turn channel (flashing Yellow arrow). During the Yellow change interval of the Protected Turn channel (solid Green arrow) the conflict monitor shall verify that no conflicting channels to the solid Yellow arrow channel (clearance) are active as determined by the program card compatibility programming of the Protected Turn channel (solid Green arrow).

3. **Flash Rate Detection:** The conflict monitor unit shall monitor for the absence of a valid flash rate for the Permissive turn channel (flashing Yellow arrow). If the Permissive turn channel (flashing Yellow arrow) is active for a period greater than 1600 milliseconds, ensure the conflict monitor triggers and puts the intersection into flash. If the Permissive turn channel (flashing Yellow arrow) is active for a period less than 1400 milliseconds, ensure the conflict monitor does not trigger. Ensure the conflict monitor will remain in the triggered (in fault mode) state until the unit is reset at the front panel or through the external remote reset input. Provide a jumper or switch that will enable and disable the Flash Rate Detection function. Ensure that when the jumper is not present or the switch is in the OFF position the Flash Rate Detection function is enabled. Ensure that when the jumper is present or the switch is in the ON position the Flash Rate Detection function is disabled.
4. **Red Monitoring or Absence of Any Indication (Red Failure):** The conflict monitor unit shall detect a red failure if there is an absence of voltage on all four of the inputs of a FYA channel pair (RA, YA, FYA, GA).
5. **Dual Indications on the Same Channel:** The conflict monitor unit shall detect a dual indication if two or more inputs of a FYA channel pair (RA, YA, FYA, GA) are “on” at the same time.
6. **Short/Missing Yellow Indication Fault (Clearance Error):** The conflict monitor unit shall monitor the solid Yellow arrow for a clearance fault when terminating both the Protected Turn channel (solid Green arrow) interval and the Permissive Turn channel (flashing Yellow arrow) interval.

Ensure that the conflict monitor will log at least nine of the most recent events detected by the monitor in non-volatile EEPROM memory (or equivalent). For each event, record at a minimum the time, date, type of event, status of each field signal indication with RMS voltage, and specific channels involved with the event. Ensure the conflict monitor will log the following events: monitor reset, configuration, previous fault, and AC line. Furnish the signal sequence log that shows all channel states (Greens, Yellows, and Reds) and the Red Enable State for a minimum of 2 seconds prior to the current fault trigger point. Ensure the display resolution of the inputs for the signal sequence log is not greater than 50 ms.

For conflict monitors used within an Ethernet communications system, provide a conflict monitor with an Ethernet 10/100 Mbps, RJ-45 port for data communication access to the monitor by a local notebook computer and remotely via a workstation or notebook computer device connected to the signal system local area network. The Ethernet port shall be electrically isolated from the conflict monitor’s electronics and shall provide a minimum of 1500 Vrms isolation. Integrate monitor with Ethernet network in cabinet. Provide software to retrieve the time and date from a network server in order to synchronize the on-board times between the conflict monitor and the controller. Furnish and install the following Windows based, graphic user interface software on workstations and notebook computers where the signal system client software is installed: 1) software to view and retrieve all event log information, 2) software that will search and display a list of conflict monitor IP addresses and IDs on the network, and 3) software to change the conflict monitor’s network parameters such as IP address and subnet mask.

For non-Ethernet connected monitors, provide a RS-232C/D compliant port (DB-9 female connector) on the front panel of the conflict monitor in order to provide communications from the conflict monitor to the 170/2070 controller or to a Department-furnished laptop computer. Electrically isolate the port interface electronics from all monitor electronics, excluding Chassis Ground. Ensure that the controller can receive all event log information through a controller

Asynchronous Communications Interface Adapter (Type 170E) or Async Serial Comm Module (2070). Furnish and connect a serial cable from the conflict monitor's DB-9 connector to Comm Port 1 of the 2070 controller. Ensure conflict monitor communicates with the controller. Provide a Windows based graphic user interface software to communicate directly through the same monitor RS-232C/D compliant port to retrieve and view all event log information to a Department-furnished laptop computer. The RS-232C/D compliant port on the monitor shall allow the monitor to function as a DCE device with pin connections as follows:

Conflict Monitor RS-232C/D (DB-9 Female) Pinout		
Pin Number	Function	I/O
1	DCD	O
2	TX Data	O
3	RX Data	I
4	DTR	I
5	Ground	-
6	DSR	O
7	CTS	I
8	RTS	O
9	NC	-

MONITOR BOARD EDGE CONNECTOR

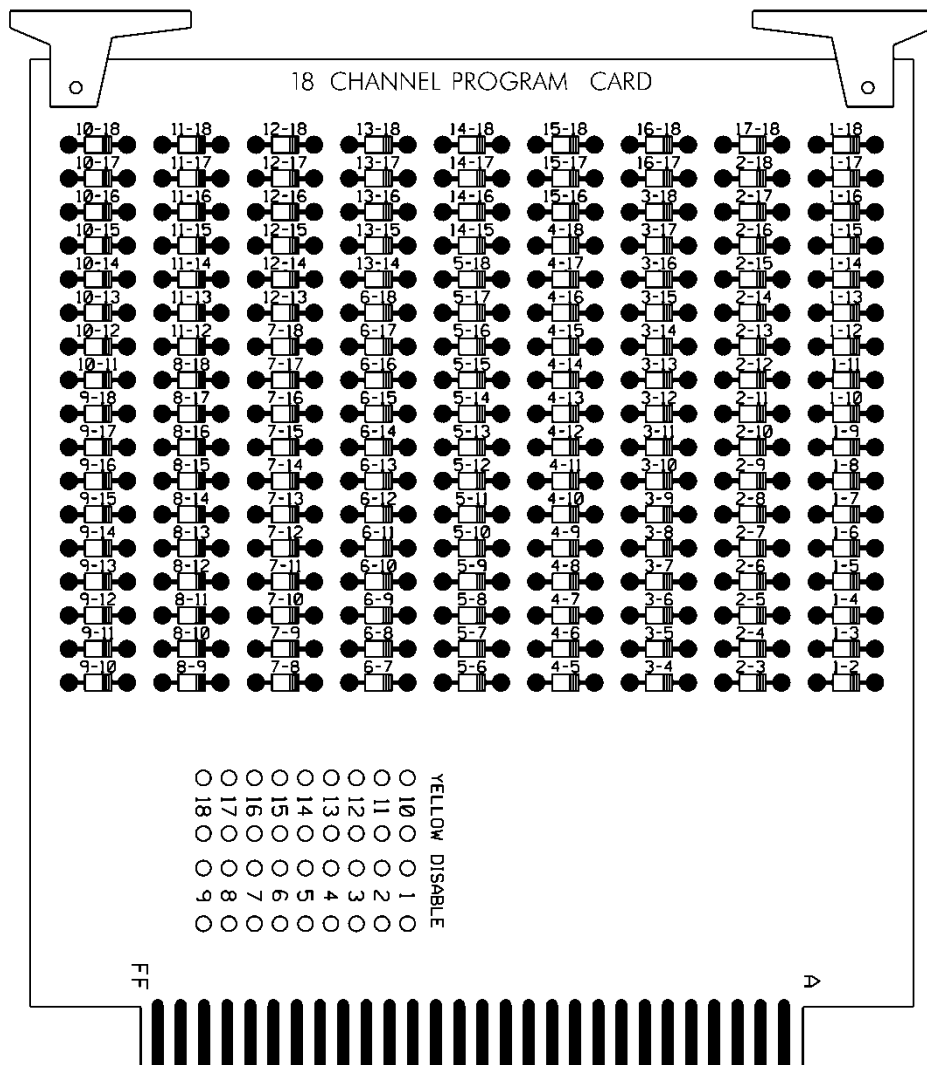
Pin #	Function (Back Side)	Pin #	Function (Component Side)
1	Channel 2 Green	A	Channel 2 Yellow
2	Channel 13 Green	B	Channel 6 Green
3	Channel 6 Yellow	C	Channel 15 Green
4	Channel 4 Green	D	Channel 4 Yellow
5	Channel 14 Green	E	Channel 8 Green
6	Channel 8 Yellow	F	Channel 16 Green
7	Channel 5 Green	H	Channel 5 Yellow
8	Channel 13 Yellow	J	Channel 1 Green
9	Channel 1 Yellow	K	Channel 15 Yellow
10	Channel 7 Green	L	Channel 7 Yellow
11	Channel 14 Yellow	M	Channel 3 Green
12	Channel 3 Yellow	N	Channel 16 Yellow
13	Channel 9 Green	P	Channel 17 Yellow
14	Channel 17 Green	R	Channel 10 Green
15	Channel 11 Yellow	S	Channel 11 Green
16	Channel 9 Yellow	T	Channel 18 Yellow
17	Channel 18 Green	U	Channel 10 Yellow
--		--	
18	Channel 12 Yellow	V	Channel 12 Green
19	Channel 17 Red	W	Channel 18 Red
20	Chassis Ground	X	Not Assigned
21	AC-	Y	DC Common
22	Watchdog Timer	Z	External Test Reset
23	+24VDC	AA	+24VDC
24	Tied to Pin 25	BB	Stop Time (Output)
25	Tied to Pin 24	CC	Not Assigned
26	Not Assigned	DD	Not Assigned
27	Relay Output, Side #3, N.O.	EE	Relay Output, Side #2, Common
28	Relay Output, Side #1, N.C.	FF	AC+

-- Slotted for keying between Pins 17/U and 18/V

CONFLICT PROGRAM CARD PIN ASSIGNMENTS

Pin #	Function (Back Side)	Pin #	Function (Component Side)
1	Channel 2 Green	A	Channel 1 Green
2	Channel 3 Green	B	Channel 2 Green
3	Channel 4 Green	C	Channel 3 Green
4	Channel 5 Green	D	Channel 4 Green
5	Channel 6 Green	E	Channel 5 Green
6	Channel 7 Green	F	Channel 6 Green
7	Channel 8 Green	H	Channel 7 Green
8	Channel 9 Green	J	Channel 8 Green
9	Channel 10 Green	K	Channel 9 Green
10	Channel 11 Green	L	Channel 10 Green
11	Channel 12 Green	M	Channel 11 Green
12	Channel 13 Green	N	Channel 12 Green
13	Channel 14 Green	P	Channel 13 Green
14	Channel 15 Green	R	Channel 14 Green
15	Channel 16 Green	S	Channel 15 Green
16	N/C	T	PC AJAR
17	Channel 1 Yellow	U	Channel 9 Yellow
18	Channel 2 Yellow	V	Channel 10 Yellow
19	Channel 3 Yellow	W	Channel 11 Yellow
20	Channel 4 Yellow	X	Channel 12 Yellow
21	Channel 5 Yellow	Y	Channel 13 Yellow
22	Channel 6 Yellow	Z	Channel 14 Yellow
23	Channel 7 Yellow	AA	Channel 15 Yellow
24	Channel 8 Yellow	BB	Channel 16 Yellow
--		--	
25	Channel 17 Green	CC	Channel 17 Yellow
26	Channel 18 Green	DD	Channel 18 Yellow
27	Channel 16 Green	EE	PC AJAR (Program Card)
28	Yellow Inhibit Common	FF	Channel 17 Green

-- Slotted for keying between Pins 24/BB and 25/CC



E. Preemption and Sign Control Box

Provide preemption and sign control box to operate in a Model 332 and Model 336S cabinet. Provide hardware to mount the box to the cage of the cabinet to ensure the front side is facing the opposite side of the cabinet. Furnish the material of the box from a durable finished metallic or thermoplastic case. Ensure the size of the box is not greater than 7(l) x 5(w) x 5(d) inches. Ensure that no modification is necessary to mount the box on the cabinet cage.

Provide the following components in the preemption and sign control box: relays, fuses, terminal blocks, MOVs, resistor, RC network, lamp, and push button switch.

Provide UL Listed or Recognized relay K1 as a DPDT enclosed relay (120 VAC, 60 Hz coil) with an 8-pin octal-style plug and associated octal base. Provide contact material made of AgCdO with a 10 amp, 240 VAC rating. Ensure the relay has a specified pickup voltage of 102 VAC.

Provide relay SSR1 as a Triac SPST normally open solid state relay that is rated for 120 VAC input and zero-crossing (resistive load) 25 amp @ 120 VAC output. Ensure the relay turns on at 90 Vrms within 10 ms and turns off at 10 Vrms within 40 ms. Ensure the relay has physical

characteristics as shown in the wiring detail in Figure 1. Provide 4 terminal screws with saddle clamps.

Provide fuses F1 and F2 as a UL Listed ¼" x 1-1/4" glass tube rated at 250 volts with a 10kA interrupting rating. Ensure F1 non-delay (fast-acting) and F2 slow-blow (time-delay) fuses have a maximum opening times of 60 minutes and 120 seconds for currents of 135 and 200 percent of the ampere rating, respectively. Ensure F2 slow-blow (time-delay) fuses have a minimum opening times of 12 seconds at 200 percent of the ampere rating. Provide fuse holders that are UL Recognized panel-mounted holders rated 250V, 15 ampere minimum with bayonet-type knobs which accept ¼" x 1-1/4" glass tube fuses.

Provide terminal blocks that are rated for 300V and are made of electrical grade thermoplastic or thermosetting plastic. Ensure each terminal block is of closed back design and has recessed-screw terminals with molded barriers between terminals. Ensure each terminal block is labeled with a block designation. Ensure each terminal is labeled with the function and a number.

Provide 3/4-inch diameter radial lead UL-recognized metal oxide varistors (MOVs) that have electrical performance as outlined below.

PROPERTIES OF MOV SURGE PROTECTOR	
Maximum Continuous Applied Voltage at 185° F	150 VAC (RMS) 200 VDC
Maximum Peak 8x20µs Current at 185° F	6500 A
Maximum Energy Rating at 185° F	80 J
Voltage Range 1 mA DC Test at 77° F	212-268 V
Max. Clamping Voltage 8x20µs, 100A at 77° F	395 V
Typical Capacitance (1 MHz) at 77° F	1600 pF

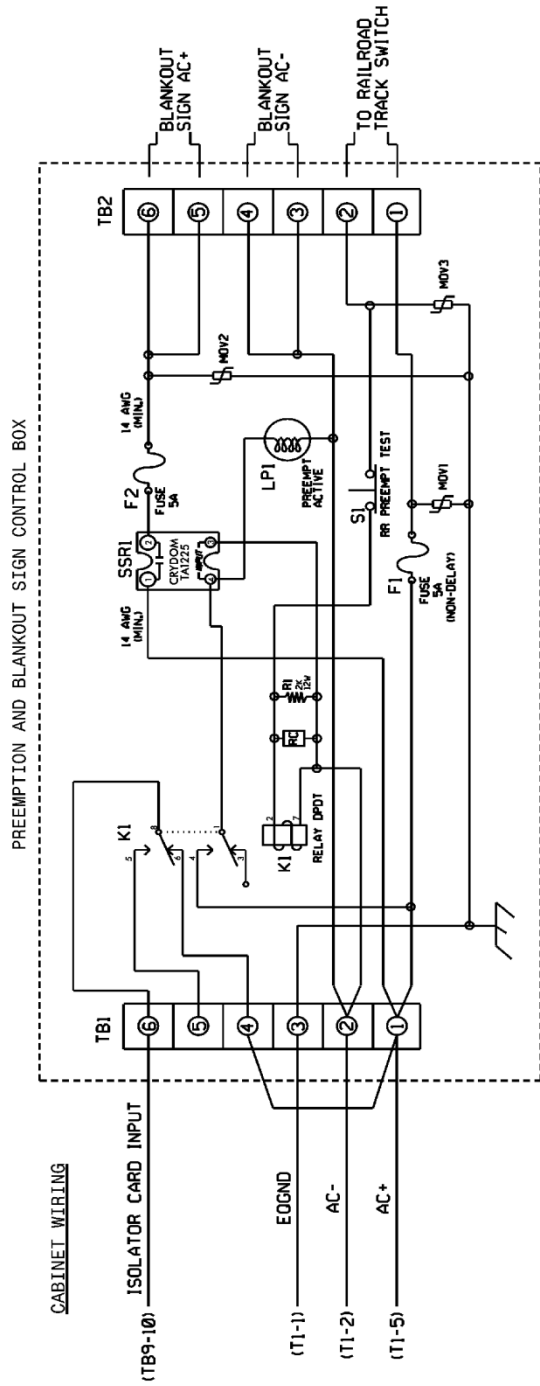
Provide resistor R1 as a 2K ohm, 12 watt, wirewound resistor with tinned terminals and attaching leads. Ensure the resistor is spaced apart from surrounding wires.

Provide a LED or incandescent lamp that has a voltage rating of 120 VAC with a minimum life rating at 50,000 hours.

Wire the preemption and sign control box as shown in Figure 1.

RAILROAD PREEMPTION WIRING DETAIL

(wire as shown below)



NOTES

1. RELAY K1 IS SHOWN IN THE ENERGIZED (PREEMPT NO1 ACTIVE) NORMAL OPERATION STATE.
2. AC ISOLATOR CARD SHALL ACTIVATE PREEMPTION UPON REMOVAL OF AC+ FROM INPUT (AS SHOWN ABOVE). THIS IS ACCOMPLISHED BY SETTING TYPE 252 AC ISOLATOR CARD TO INVERTED OPERATION.

FRONT VIEW

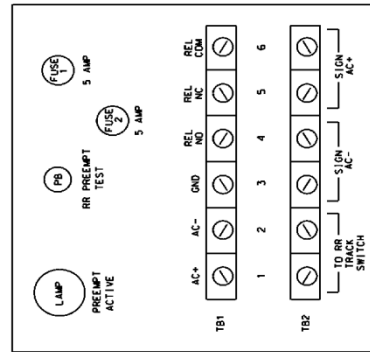


Figure 1

3.4. MATERIALS – TYPE 170 DETECTOR SENSOR UNITS

Furnish detector sensor units that comply with Chapter 5 Section 1, “General Requirements,” and Chapter 5 Section 2, “Model 222 & 224 Loop Detector Sensor Unit Requirements,” of the CALTRANS “Transportation Electrical Equipment Specifications” dated March 12, 2009 with Erratum 1.

4. PUSH BUTTON INTEGRATED ACCESSIBLE PEDESTRIAN SIGNAL (APS)

4.1. DESCRIPTION

Furnish and install push button integrated accessible pedestrian signals that include pedestrian pushbutton, pushbutton locator tone, raised tactile arrow, audio and vibro-tactile walk indications, automatic volume adjustment, pedestrian information sign, and all necessary hardware. Furnish the R10-3e with appropriate arrow direction for the pedestrian information sign.

4.2. MATERIALS

Furnish material, equipment, and hardware under this section that is pre-approved on the ITS and Signals QPL.

Provide the accessible pedestrian signals with a 2-inch diameter pedestrian push button that contains a tactile arrow whose direction can be easily adjusted in the field. Ensure each push button actuates a sturdy, momentary, normally-open switch with a minimum rating of 20 million actuations. Include on the button, a raised tactile arrow having a high visual contrast with the remainder of the button face. Ensure the housing is weather-tight and fabricated from aluminum. Ensure the housing is suitable for mounting on wood and metal poles. Paint surfaces of the pedestrian push button housing in highway yellow, unless otherwise specified, with an electrostatically-applied, fused-polyester paint method. Ensure the thickness of the paint is a minimum of 2.5 mils. Provide the pedestrian information sign that is integral to the housing.

Ensure the accessible pedestrian signals can provide tones, sounds, and speech messages that are synchronized at an intersection. Provide a means for adjusting the base sound level for the tones, sounds, and speech messages. Ensure the tones, sounds, and speech messages will adjust automatically to the ambient noise level up to a maximum of 100 dBA. Provide the custom speech messages in both English and Spanish languages. Ensure you can program the accessible pedestrian signal by a means not readily accessible by unauthorized persons.

Ensure each push button provides a standard locator tone that is deactivated when the traffic signal is operating in the flash mode. Provide a user-programmable audible beaconing feature that is initiated by an extended push button press of one second or more. Ensure the audible beaconing feature increases the volume of the push button locator tone during the pedestrian change interval of the called pedestrian phase and operates in one of the following ways:

- A. The louder audible walk indication and louder locator tone comes from the far end of the crosswalk, as pedestrians cross the street,
- B. The louder locator tone comes from both ends of the crosswalk, or
- C. The louder locator tone comes from an additional speaker that is aimed at the center of the crosswalk and that is mounted on a pedestrian signal head.

Provide confirmation of the push button activation by an LED pilot light. Ensure the pilot light remains illuminated until the pedestrian’s green or WALKING PERSON (symbolizing WALK) signal indication is displayed. Ensure each press of the pushbutton initiates a “wait” speech message during all intervals except the Walk interval.

Ensure you can select a percussive tone and custom speech message to sound during the “Walk” interval. Provide a push button that vibrates during the “Walk” interval. Ensure the “Walk” indications have the same duration as the illuminated pedestrian signals except when the signal is programmed to rest in the walk interval. When the pedestrian signal is programmed to rest in walk, ensure the “Walk” indication is limited to the first 7 seconds of the walk interval. The “Walk” indication shall be recalled by a button press during the walk interval provided that the crossing time remaining is greater than the pedestrian change interval. Ensure the “Walk” indications are deactivated when the traffic control signal is operating in a flashing mode. When audible “Walk” indications are selected as a percussive tone, ensure the tone repeats at 8 to 10 ticks per second and consists of multiple frequencies with a dominant component at 880 Hz.

Ensure the accessible pedestrian signals are weatherproof and suitable for operation in wet locations. Ensure proper operation over a temperature range of -30°F (-34°C) to 165°F (+74°C). Ensure all circuit boards have a moisture resistant coating. Ensure the equipment interfaces and operates properly in a Type-170E cabinet.

If the accessible pedestrian signal is required by the Engineer to have a touchless feature, then ensure a pedestrian call is placed when a hand is waved from 1 to 6 inches across the front of the Push Button.

4.3. CONSTRUCTION METHODS

Comply with the requirements of Section 1705 of the *Standard Specifications*. Install in accordance with the manufacturer’s recommendations.

Mount push button integrated accessible pedestrian signals in a tamperproof manner on wood and metal poles, signal pedestals, or pushbutton posts as indicated in the signal plans.

Install each pushbutton so that the tactile arrow is pointed in the direction of travel and is aligned parallel to the direction of travel on the associated crosswalk.

Ensure pushbuttons are separated by a distance of at least 10 feet such that they clearly indicate which crosswalk has the WALK indication. Where there are constraints on a particular corner that make it impractical to provide the 10 feet of separation between the two pushbuttons, the pushbuttons may be placed closer together or on the same pole, with approval by the Engineer. If two pushbuttons are placed on the same pole or with less than 10 feet separation, provide a speech walk message for the WALK indication and a speech pushbutton information message.

Adjust the intensity of the pushbutton locator tones so they are audible 6 feet to 12 feet from the pushbutton, or to the building line, whichever is less. Ensure the pushbutton locator tones are no more than 5 dBA louder than ambient sound. Configure audible “Walk” indication to be audible at the nearest end of the associated crosswalk.

If speech messages are used, have each recorded custom speech message approved by the Engineer in advance.

4.4. MEASUREMENT AND PAYMENT

Actual number of push button integrated accessible pedestrian signal detector stations furnished, installed, and accepted.

Actual number of central control units for APS detector stations furnished, installed, and accepted.

No measurement will be made of cables or hardware, as these will be considered incidental to furnishing and installing push button integrated accessible pedestrian signals.

Payment will be made under:

APS Detector Stations.....Each

Central Control Units For APS Detector StationsEach

5. VIDEO IMAGING LOOP EMULATOR DETECTOR SYSTEMS FOR TEMPORARY INSTALLATION

5.1. DESCRIPTION

Design, furnish, provide training, and install video imaging loop emulator detection systems with all necessary hardware for temporary traffic signals in accordance with the plans and specifications.

Unless otherwise specified in the contract, all loop emulator detection equipment will remain the property of the contractor.

5.2. MATERIALS

A. General:

Material and equipment furnished under this section must be pre-approved on the Department’s QPL by the date of installation except miscellaneous hardware such as cables and mounting hardware do not need to be pre-approved.

Used equipment will be acceptable provided the following conditions have been met:

- Equipment is listed on the current QPL.
- Equipment is in good working condition.
- Equipment is to remain the property of the contractor.

Ensure that software is licensed for use by the Department and by any other agency responsible for maintaining or operating the loop emulation system. Provide the Department with a license to duplicate and distribute the software as necessary for design and maintenance support.

Design and furnish video imaging loop emulator detection systems that detect vehicles at signalized intersections by processing video images and providing detection outputs to the signal controller in real time (within 112 milliseconds of vehicle arrival).

Furnish all required camera sensor units, loop emulator processor units, hardware and software packages, cabling, poles, mast arms, harnesses, camera mounting assemblies, surge protection panels, grounding systems, messenger cable and all necessary hardware. Furnish systems that allow the display of detection zones superimposed on an image of the roadway on a Department-furnished monitor or laptop computer screen. Ensure detection zones can be defined and data entered using a simple keyboard or mouse and monitor, or using a laptop PC with software.

Provide design drawings showing design details and camera sensor unit locations for review and acceptance before installation. Provide mounting height and location requirements for camera sensor units on the design based on site survey. Design video imaging loop emulator detection systems with all necessary hardware. Indicate all necessary poles, spans, mast arms, luminaire arms, cables, camera mounting assemblies and hardware to achieve the required detection zones where Department owned poles are not adequate to locate the camera sensor units. Do not design for the installation of poles in medians.

Obtain the Engineer’s approval before furnishing video imaging loop emulator detection systems. The contractor is responsible for the final design of video imaging loop emulator detection systems. Review and acceptance of the designs by the Department does not relieve the contractor from the responsibility to provide fully functional systems and to ensure that the required detection zones can be provided.

Provide the ability to program each detection call (input to the controller) with the following functions:

- Full Time Delay – Delay timer is active continuously,
- Normal Delay – Delay timer is inhibited when assigned phase is green (except when used with TS 2 and 170/2070L controllers),
- Extend – Call is extended for this amount of time after vehicle leaves detection area,
- Delay Call/Extend Call – This feature uses a combination of full time delay and extend time on the same detection call. Ensure operation is as follows: Vehicle calls are received after the delay timer times out. When a call is detected, it is held until the detection area is empty and the programmed extend time expires. If another vehicle enters the detection area before the extend timer times out, the call is held and the extend time is reset. When the extend timer times out, the delay timer has to expire before another vehicle call can be received.

Provide the ability to program each detection zone as one of the following functions:

- Presence detector,
- Directional presence detector,
- Pulse detector,
- Directional pulse detector.

Ensure previously defined detector zones and configurations can be edited.

Provide each individual system with all the necessary equipment to focus and zoom the camera lenses without the need to enter the camera enclosure.

Provide systems that allow for the placement of at least 8 detection zones within the combined field of view of a single camera sensor unit. Provide a minimum of 8 detection outputs per camera.

Provide detection zones that can be overlapped. Ensure systems reliably detect vehicles when the horizontal distance from the camera sensor unit to the detection zone area is less than ten times the mounting height of the sensor. Ensure systems detect vehicles in multiple travel lanes.

Ensure systems can detect vehicle presence within a 98 to 102 percent accuracy (up to 2 percent of the vehicles missed and up to 2 percent of false detection) for clear, dry, daylight conditions, a 96 to 105 percent accuracy (up to 4 percent of the vehicles missed and up to 5 percent false detection) for dawn and dusk conditions, and a 96 percent accuracy (up to 4 percent of the vehicles missed) for night and adverse conditions (fog, snow, rain, etc.) using standard sensor optics and in the absence of occlusion.

Repair and replace all failed components within 72 hours.

The Department may conduct field-testing to ensure the accuracy of completed video imaging loop emulator detection systems.

B. Loop Emulator System:

Furnish loop emulator systems that receive and simultaneously process information from camera sensor units, and provides detector outputs to signal controllers.

Ensure systems provide the following:

- Operate in a typical roadside environment and meet the environmental specifications and are fully compatible with NEMA TS 1, NEMA TS 2, or Type 170/2070L controllers and cabinets,

- provide a “fail-safe” mode whereby failure of one or more of the camera sensor units or power failure of the loop emulator system will cause constant calls to be placed on the affected vehicle detection outputs to the signal controller,
- provide compensation for minor camera movement of up to 2 percent of the field of view at 400 feet without falsely detecting vehicles,
- process the video at a minimum rate of 30 times per second,
- provide separate wired connectors inside the controller cabinet for video recording each camera,
- provide remote video monitoring with a minimum refresh rate at 1 frame per second over a standard dial-up telephone line,
- provide remote video detection monitoring.

Furnish camera sensor units that comply with the following:

- have an output signal conforming to EIA RS-170 standard,
- have a nominal output impedance of 75 ohms,
- be immune to bright light sources, or have built in circuitry or protective devices to prevent damage to the sensor when pointed directly at strong light sources,
- be housed in a light colored environmental enclosure that is water proof and dust tight, and that conforms to NEMA-4 specifications or better,
- simultaneously monitor at least five travel lanes when placed at the proper mounting location with a zoom lens,
- have a sunshield attached to the environmental enclosure to minimize solar heating,
- meet FCC class B requirements for electromagnetic interference emissions,
- have a heater attached to the viewing window of the environmental enclosure to prevent ice and condensation in cold weather.

Where coaxial video cables and other cables are required between the camera sensor and other components located in the controller cabinet, furnish surge protection in the controller cabinet.

If furnishing coaxial communications cable comply with the following, as recommended by the approved loop emulator manufacturer:

- Number 20 AWG, solid bare copper conductor terminated with crimped-on BNC connectors (do not use BNC adapters) from the camera sensor to the signal controller cabinet.
- Number 22 AWG, stranded bare copper conductor terminated with crimped-on BNC connectors (do not use BNC adapters) from the camera sensor unit to the junction box, and within the signal controller cabinet.

Furnish power cable appropriately sized to meet the power requirements of the sensors. At a minimum, provide three conductor 120 VAC field power cable.

As determined during the site survey, furnish sensor junction boxes with nominal 6 x 10 x 6 inches dimensions at each sensor location. Provide terminal blocks and tie points for coaxial cable.

C. Video Imaging Loop Emulator System Support:

Furnish video imaging loop emulator systems with either a simple keyboard or a mouse with monitor and appropriate software, or with system software for use on department-owned laptop PCs. Ensure the system is Windows 2000 and Windows XP compatible.

Provide Windows 2000 and Windows XP compatible personal computer software, if needed, to provide remote video and video detection monitoring.

Ensure systems allow the user to edit previously defined detector configurations. When a vehicle is within a detection zone, provide for a change in color or intensity of the detection zone perimeter or other appropriate display changes on the Department-furnished monitor or laptop computer screen.

Provide cabling and interconnection hardware with 6-foot minimum length interconnection cable to interface with the system.

Provide all associated equipment manuals and documentation.

5.3. CONSTRUCTION METHODS

Arrange and conduct site surveys with the system manufacturer's representative and Department personnel to determine proper camera sensor unit selection and placement. Provide the Department at least 3 working days notice before conducting site surveys. Upon completion of the site surveys the Department will provide revised plans reflecting the findings of the site survey.

Before beginning work at locations requiring video imaging loop emulator detection systems, furnish system software. Upon activation of detection zones, provide detector configuration files. Ensure that up-to-date detection configuration files are furnished for various detection zone configurations that may be required for construction phasing.

Place into operation loop emulator detection systems. Configure loop emulator detection systems to achieve required detection in designated zones. Have a certified manufacturer's representative on site to supervise and assist with installation, set up, and testing of the system.

Install the necessary processing and communications equipment in the signal controller cabinet. Make all necessary modifications to install equipment, cabling harnesses, and camera sensor interface panels with surge suppression.

Perform modifications to camera sensor unit gain, sensitivity, and iris limits necessary to complete the installation.

Do not install camera sensor units on signal poles unless approved by the Engineer.

Install the necessary cables from each sensor to the signal controller cabinet along signal cabling routes. Install surge protection and terminate all cable conductors.

Relocate camera sensor units and reconfigure detection zones as necessary according to the plans for construction phases.

Provide at least 8 hours of training on the set up, operation, troubleshooting, and maintenance of the loop emulator detection system to a maximum of ten Department personnel. Arrange for training to be conducted by the manufacturer's representative at an approved site within the Division responsible for administration of the project. Thirty days before conducting training submit a detailed course curriculum, draft manuals and materials, and resumes. Obtain approval of the submittal before conducting the training. At least one week before beginning training, provide three sets of complete documentation necessary to maintain and operate the system. Do not perform training until installation of loop emulator detection systems is complete.

5.4. MEASUREMENT AND PAYMENT

Actual number of site surveys, arranged, conducted, and accepted.

Actual number of luminaire arms for temporary video systems furnished, installed, and accepted.

Actual number of cameras without internal loop emulator processing units furnished, installed, and accepted.

Actual number of external loop emulator processing units furnished, installed, and accepted.

Actual number of temporary camera sensor units relocated with detection zones reconfigured installed, and accepted.

No measurement will be made of video imaging loop emulator system support or training, power and video cables, and trenching as these items will be considered incidental to furnishing and installing video imaging loop emulator detection systems.

Payment will be made under:

Site Survey	Each
Luminaire Arm for Temporary Video System.....	Each
Camera without Internal Loop Emulator Processing Unit.....	Each
External Loop Emulator Processing Unit	Each

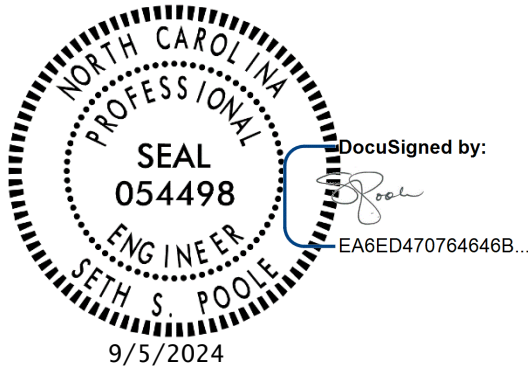
6.

Project Special Provisions

Structures

Table of Contents

		Page No.
1. Falsework and Formwork	(11-30-23)	ST-2
2. Submittal of Working Drawings	(11-30-23)	ST-8
3. Crane Safety	(6-20-19)	ST-14
4. Grout for Structures	(12-1-17)	ST-15
5. Maintenance and Protection of Traffic Beneath Proposed Structure at Station 20+97.25 -L- / 20+97.25 -E-RR-	(08-13-04)	ST-16
6. Thermal Sprayed Coatings (Metallization)	(12-1-2017)	ST-17
7. Bridge Mounted Black Vinyl Coated Chain Link Fence	(SPECIAL)	ST-19
8. Modified 54” Prestressed Concrete Girders	(SPECIAL)	ST-20



Project P-5715

ST-2

Wake County

FALSEWORK AND FORMWORK**(11-30-23)****GENERAL**

Use this Special Provision as a guide to develop temporary works submittals required by the *Standard Specifications* or other provisions; no additional submittals are required herein. Such temporary works include, but are not limited to, falsework and formwork.

Falsework is any temporary construction used to support the permanent structure until it becomes self-supporting. Formwork is the temporary structure or mold used to retain plastic or fluid concrete in its designated shape until it hardens. Access scaffolding is a temporary structure that functions as a work platform that supports construction personnel, materials, and tools, but is not intended to support the structure. Scaffolding systems that are used to temporarily support permanent structures (as opposed to functioning as work platforms) are considered to be falsework under the definitions given. Shoring is a component of falsework such as horizontal, vertical, or inclined support members. Where the term “temporary works” is used, it includes all of the temporary facilities used in bridge construction that do not become part of the permanent structure.

Design and construct safe and adequate temporary works that will support all loads imposed and provide the necessary rigidity to achieve the lines and grades shown on the plans in the final structure.

MATERIALS

Select materials suitable for temporary works; however, select materials that also ensure the safety and quality required by the design assumptions. The Engineer has authority to reject material on the basis of its condition, inappropriate use, safety, or nonconformance with the plans. Clearly identify allowable loads or stresses for all materials or manufactured devices on the plans. Revise the plan and notify the Engineer if any change to materials or material strengths is required.

DESIGN REQUIREMENTS**(A) Working Drawings**

Provide working drawings for items as specified in the contract, or as required by the Engineer, with design calculations and supporting data in sufficient detail to permit a structural and safety review of the proposed design of the temporary work.

On the drawings, show all information necessary to allow the design of any component to be checked independently as determined by the Engineer.

When concrete placement is involved, include data such as the drawings of proposed sequence, rate of placement, direction of placement, and location of all construction joints.

When required, have the drawings and calculations prepared under the guidance of, and sealed by, a North Carolina Registered Professional Engineer who is knowledgeable in temporary works design.

If requested by the Engineer, submit with the working drawings manufacturer's catalog data listing the weight of all construction equipment that will be supported on the temporary work. Show anticipated total settlements and/or deflections of falsework and forms on the working drawings. Include falsework footing settlements, joint take-up, and deflection of beams or girders.

As an option for the Contractor, overhang falsework hangers may be uniformly spaced, at a maximum of 36 inches, provided the following conditions are met:

Member Type (PCG)	Member Depth, (inches)	Max. Overhang Width, (inches)	Max. Slab Edge Thickness, (inches)	Max. Screenshot Wheel Weight, (lbs.)	Bracket Min. Vertical Leg Extension, (inches)
II	36	39	14	2000	26
III	45	42	14	2000	35
IV	54	45	14	2000	44
MBT	63	51	12	2000	50
MBT	72	55	12	1700	48

Overhang width is measured from the centerline of the girder to the edge of the deck slab. For Type II, III & IV prestressed concrete girders (PCG), 45-degree cast-in-place half hangers and rods must have a minimum safe working load of 6,000 lbs.

For MBT prestressed concrete girders, 45-degree angle holes for falsework hanger rods shall be cast through the girder top flange and located, measuring along the top of the member, 1'-2 1/2" from the edge of the top flange. Hanger hardware and rods must have a minimum safe working load of 6,000 lbs.

For link slabs, the top of girders directly beneath the link slab shall be free of overhang falsework attachments or other hardware. Submit calculations and working drawings for overhang falsework in the link slab region.

The overhang bracket provided for the diagonal leg shall have a minimum safe working load of 3,750 lbs. The vertical leg of the bracket shall extend to the point that the heel bears on the girder bottom flange, no closer than 4 inches from the bottom of the member. However, for 72-inch members, the heel of the bracket shall bear on the web, near the bottom flange transition.

Provide adequate overhang falsework and determine the appropriate adjustments for deck geometry, equipment, casting procedures and casting conditions.

If the optional overhang falsework spacing is used, indicate this on the falsework submittal and advise the girder producer of the proposed details. Failure to notify the Engineer of hanger type and hanger spacing on prestressed concrete girder casting drawings may delay the approval of those drawings.

Falsework hangers that support concentrated loads and are installed at the edge of thin top flange concrete girders (such as bulb tee girders) shall be spaced so as not to exceed 75% of the manufacturer’s stated safe working load. Use of dual leg hangers (such as Meadow Burke HF-42 and HF-43) are not allowed on concrete girders with thin top flanges. Design the falsework and forms supporting deck slabs and overhangs on girder bridges so that there will be no differential settlement between the girders and the deck forms during placement of deck concrete.

When staged construction of the bridge deck is required, detail falsework and forms for screed and fluid concrete loads to be independent of any previous deck pour components when the mid-span girder deflection due to deck weight is greater than 3/4”.

Note on the working drawings any anchorages, connectors, inserts, steel sleeves or other such devices used as part of the falsework or formwork that remains in the permanent structure. If the plan notes indicate that the structure contains the necessary corrosion protection required for a Corrosive Site, epoxy coat, galvanize or metalize these devices. Electroplating will not be allowed. Any coating required by the Engineer will be considered incidental to the various pay items requiring temporary works.

Design falsework and formwork requiring submittals in accordance with the current edition of *AASHTO Guide Design Specifications for Bridge Temporary Works* except as noted herein.

(1) Wind Loads

Table 2.2 of Article 2.2.5.1 is modified to include wind velocities up to 110 mph. In addition, Table 2.2A is included to provide the maximum wind speeds by county in North Carolina.

Table 2.2 - Wind Pressure Values

Height Zone feet above ground	Pressure, lb/ft ² for Indicated Wind Velocity, mph				
	70	80	90	100	110
0 to 30	15	20	25	30	35
30 to 50	20	25	30	35	40
50 to 100	25	30	35	40	45
over 100	30	35	40	45	50

(2) Time of Removal

The following requirements replace those of Article 3.4.8.2.

Do not remove forms until the concrete has attained strengths required in Article 420-16 of the *Standard Specifications* and these Special Provisions.

Do not remove forms until the concrete has sufficient strength to prevent surface damage.

Table 2.2A - Steady State Maximum Wind Speeds by Counties in North Carolina

COUNTY	25 YR (mph)	COUNTY	25 YR (mph)	COUNTY	25 YR (mph)
Alamance	70	Franklin	70	Pamlico	100
Alexander	70	Gaston	70	Pasquotank	100
Alleghany	70	Gates	90	Pender	100
Anson	70	Graham	80	Perquimans	100
Ashe	70	Granville	70	Person	70
Avery	70	Greene	80	Pitt	90
Beaufort	100	Guilford	70	Polk	80
Bertie	90	Halifax	80	Randolph	70
Bladen	90	Harnett	70	Richmond	70
Brunswick	100	Haywood	80	Robeson	80
Buncombe	80	Henderson	80	Rockingham	70
Burke	70	Hertford	90	Rowan	70
Cabarrus	70	Hoke	70	Rutherford	70
Caldwell	70	Hyde	110	Sampson	90
Camden	100	Iredell	70	Scotland	70
Carteret	110	Jackson	80	Stanley	70
Caswell	70	Johnston	80	Stokes	70
Catawba	70	Jones	100	Surry	70
Cherokee	80	Lee	70	Swain	80
Chatham	70	Lenoir	90	Transylvania	80
Chowan	90	Lincoln	70	Tyrell	100
Clay	80	Macon	80	Union	70
Cleveland	70	Madison	80	Vance	70
Columbus	90	Martin	90	Wake	70
Craven	100	McDowell	70	Warren	70
Cumberland	80	Mecklenburg	70	Washington	100
Currituck	100	Mitchell	70	Watauga	70
Dare	110	Montgomery	70	Wayne	80
Davidson	70	Moore	70	Wilkes	70
Davie	70	Nash	80	Wilson	80
Duplin	90	New Hanover	100	Yadkin	70
Durham	70	Northampton	80	Yancey	70
Edgecombe	80	Onslow	100		
Forsyth	70	Orange	70		

Project P-5715

ST-6

Wake County

(B) Review and Approval

The Engineer is responsible for the review and approval of temporary works' drawings.

Submit the working drawings sufficiently in advance of proposed use to allow for their review, revision (if needed), and approval without delay to the work.

The time period for review of the working drawings does not begin until complete drawings and design calculations, when required, are received by the Engineer.

Do not start construction of any temporary work for which working drawings are required until the drawings have been approved. Such approval does not relieve the Contractor of the responsibility for the accuracy and adequacy of the working drawings.

CONSTRUCTION REQUIREMENTS

All requirements of Section 420 of the *Standard Specifications* apply.

Construct temporary works in conformance with the approved working drawings. Ensure that the quality of materials and workmanship employed is consistent with that assumed in the design of the temporary works. Do not weld falsework members to any portion of the permanent structure unless approved. Show any welding to the permanent structure on the approved construction drawings.

Provide tell-tales attached to the forms and extending to the ground, or other means, for accurate measurement of falsework settlement. Make sure that the anticipated compressive settlement and/or deflection of falsework does not exceed 1 inch. For cast-in-place concrete structures, make sure that the calculated deflection of falsework flexural members does not exceed 1/240 of their span regardless of whether or not the deflection is compensated by camber strips.

(A) Maintenance and Inspection

Inspect and maintain the temporary work in an acceptable condition throughout the period of its use. Certify that the manufactured devices have been maintained in a condition to allow them to safely carry their rated loads. Clearly mark each piece so that its capacity can be readily determined at the job site.

Perform an in-depth inspection of an applicable portion(s) of the temporary works, in the presence of the Engineer, not more than 24 hours prior to the beginning of each concrete placement. Inspect other temporary works at least once a month to ensure that they are functioning properly. Have a North Carolina Registered Professional Engineer inspect the cofferdams, shoring, sheathing, support of excavation structures, and support systems for load tests prior to loading.

Project P-5715

ST-7

Wake County

(B) Foundations

Determine the safe bearing capacity of the foundation material on which the supports for temporary works rest. If required by the Engineer, conduct load tests to verify proposed bearing capacity values that are marginal or in other high-risk situations.

The use of the foundation support values shown on the contract plans of the permanent structure is permitted if the foundations are on the same level and on the same soil as those of the permanent structure.

Allow for adequate site drainage or soil protection to prevent soil saturation and washout of the soil supporting the temporary works supports.

If piles are used, the estimation of capacities and later confirmation during construction using standard procedures based on the driving characteristics of the pile is permitted. If preferred, use load tests to confirm the estimated capacities; or, if required by the Engineer conduct load tests to verify bearing capacity values that are marginal or in other high risk situations.

The Engineer reviews and approves the proposed pile and soil bearing capacities.

REMOVAL

Unless otherwise permitted, remove and keep all temporary works upon completion of the work. Do not disturb or otherwise damage the finished work.

Remove temporary works in conformance with the contract documents. Remove them in such a manner as to permit the structure to uniformly and gradually take the stresses due to its own weight.

MEASUREMENT AND PAYMENT

Unless otherwise specified, *Falsework and Formwork* will not be directly measured.

Payment at the contract unit prices for the various pay items requiring temporary works will be full compensation for the above falsework and formwork.

Project P-5715

ST-8

Wake County

SUBMITTAL OF WORKING DRAWINGS**(11-30-23)****GENERAL**

Submit working drawings in accordance with Article 105-2 of the *Standard Specifications* and this Special Provision. For this Special Provision, “submittals” refers to only those listed in this Special Provision. The list of submittals contained herein does not represent a list of required submittals for the project. Submittals are only necessary for those items as required by the contract. Make submittals that are not specifically noted in this provision directly to the Engineer. Either the Structures Management Unit or the Geotechnical Engineering Unit or both units will jointly review submittals.

If a submittal contains variations from plan details or specifications or significantly affects project cost, field construction or operations, discuss the submittal with and submit all copies to the Engineer. State the reason for the proposed variation in the submittal. To minimize review time, make sure all submittals are complete when initially submitted. Provide a contact name and information with each submittal. Direct any questions regarding submittal requirements to the Engineer, Structures Management Unit contacts or the Geotechnical Engineering Unit contacts noted below.

To facilitate in-plant inspection by NCDOT and approval of working drawings, provide the name, address and telephone number of the facility where fabrication will actually be done if different than shown on the title block of the submitted working drawings. This includes, but is not limited to, precast concrete items, prestressed concrete items and fabricated steel or aluminum items.

ADDRESSES AND CONTACTS

For submittals to the Structures Management Unit, use the following addresses:

Via Email: SMU-wdr@ncdot.gov (do not cc SMU Working Drawings staff)

Via US mail:

Mr. B. C. Hanks, P. E.
State Structures Engineer
North Carolina Department
of Transportation
Structures Management Unit
1581 Mail Service Center
Raleigh, NC 27699-1581

Attention: Mr. J. L. Bolden, P. E.

Via other delivery service:

Mr. B. C. Hanks, P. E.
State Structures Engineer
North Carolina Department
of Transportation
Structures Management Unit
1000 Birch Ridge Drive
Raleigh, NC 27610

Attention: Mr. J. L. Bolden, P. E.

For submittals to the Geotechnical Engineering Unit, use the following addresses:

For projects in Divisions 1-7, use the following Eastern Regional Office addresses:

Via Email: EastGeotechnicalSubmittal@ncdot.gov

Project P-5715

ST-9

Wake County

Via US mail:

Mr. Thomas Santee, P. E.
Assistant State Geotechnical
Engineer – Eastern Region
North Carolina Department
of Transportation
Geotechnical Engineering Unit
Eastern Regional Office
1570 Mail Service Center
Raleigh, NC 27699-1570

Via other delivery service:

Mr. Thomas Santee, P. E.
Assistant State Geotechnical
Engineer – Eastern Region
North Carolina Department
of Transportation
Geotechnical Engineering Unit
Eastern Regional Office
3301 Jones Sausage Road, Suite 100
Garner, NC 27529

For projects in Divisions 8-14, use the following Western Regional Office addresses:

Via Email: WestGeotechnicalSubmittal@ncdot.gov

Via US mail or other delivery service:

Mr. Eric Williams, P. E.
Assistant State Geotechnical
Engineer – Western Region
North Carolina Department
of Transportation
Geotechnical Engineering Unit
Western Regional Office
5253 Z Max Boulevard
Harrisburg, NC 28075

The status of the review of structure-related submittals sent to the Structures Management Unit can be viewed from the Unit’s website, via the “[Drawing Submittal Status](#)” link. The status of the review of geotechnical-related submittals sent to the Geotechnical Engineering Unit can be viewed from the Unit’s website, via the “[Geotechnical Construction Submittals](#)” link.

Direct any questions concerning submittal review status, review comments or drawing markups to the following contacts:

Primary Structures Contact: James Bolden (919) 707 – 6408
jlbolden@ncdot.gov

Secondary Structures Contacts: Emmanuel Omile (919) 707 – 6451
eomile@ncdot.gov

Madonna Rorie (919) 707 – 6508
mrorie@ncdot.gov

Project P-5715

ST-10

Wake County

Eastern Regional Geotechnical Contact (Divisions 1-7):

Thomas Santee (919) 920-8901

tgsantee@ncdot.gov

Western Regional Geotechnical Contact (Divisions 8-14):

Eric Williams (704) 455 – 8902

ewilliams3@ncdot.gov

SUBMITTAL COPIES

Furnish one complete copy of each submittal, including all attachments, to the Engineer. At the same time, submit a copy of the same complete submittal directly to the Structures Management Unit and/or the Geotechnical Engineering Unit as specified in the tables below.

The first table below covers “Structure Submittals.” The Engineer will receive review comments and drawing markups for these submittals from the Structures Management Unit. The second table in this section covers “Geotechnical Submittals.” The Engineer will receive review comments and drawing markups for these submittals from the Geotechnical Engineering Unit.

Unless otherwise required, submit one set of supporting calculations to either the Structures Management Unit or the Geotechnical Engineering Unit unless both units require submittal copies in which case submit a set of supporting calculations to each unit. Provide additional copies of any submittal as directed.

STRUCTURE SUBMITTALS

Submittal	Submittal Required by Structures Management Unit?	Submittal Required by Geotechnical Engineering Unit?	Contract Reference Requiring Submittal ¹
Arch Culvert Falsework	Y	N	Plan Note, SN Sheet & “Falsework and Formwork”
Box Culvert Falsework ⁷	Y	N	Plan Note, SN Sheet & “Falsework and Formwork”
Cofferdams	Y	Y	Article 410-4
Foam Joint Seals ⁶	Y	N	“Foam Joint Seals”

Project P-5715

ST-11

Wake County

Expansion Joint Seals (hold down plate type with base angle)	Y	N	“Expansion Joint Seals”
Expansion Joint Seals (modular)	Y	N	“Modular Expansion Joint Seals”
Expansion Joint Seals (strip seals)	Y	N	“Strip Seal Expansion Joints”
Falsework & Forms ² (substructure)	Y	N	Article 420-3 & “Falsework and Formwork”
Falsework & Forms (superstructure)	Y	N	Article 420-3 & “Falsework and Formwork”
Girder Erection over Railroad	Y	N	Railroad Provisions
Maintenance and Protection of Traffic Beneath Proposed Structure	Y	N	“Maintenance and Protection of Traffic Beneath Proposed Structure at Station ____”
Metal Bridge Railing	Y	N	Plan Note
Metal Stay-in-Place Forms	Y	N	Article 420-3
Metalwork for Elastomeric Bearings ^{4,5}	Y	N	Article 1072-8
Miscellaneous Metalwork ^{4,5}	Y	N	Article 1072-8
Disc Bearings ⁴	Y	N	“Disc Bearings”
Overhead and Digital Message Signs (DMS) (metalwork and foundations)	Y	N	Applicable Provisions
Placement of Equipment on Structures (cranes, etc.)	Y	N	Article 420-20
Prestressed Concrete Box Beam (detensioning sequences) ³	Y	N	Article 1078-11
Precast Concrete Box Culverts	Y	N	“Optional Precast Reinforced Concrete Box Culvert at Station ____”
Prestressed Concrete Cored Slab (detensioning sequences) ³	Y	N	Article 1078-11

Project P-5715

ST-12

Wake County

Prestressed Concrete Deck Panels	Y	N	Article 420-3
Prestressed Concrete Girder (strand elongation and detensioning sequences)	Y	N	Articles 1078-8 and 1078- 11
Removal of Existing Structure over Railroad	Y	N	Railroad Provisions
Revised Bridge Deck Plans (adaptation to prestressed deck panels)	Y	N	Article 420-3
Revised Bridge Deck Plans (adaptation to modular expansion joint seals)	Y	N	“Modular Expansion Joint Seals”
Sound Barrier Wall (precast items)	Y	N	Article 1077-2 & “Sound Barrier Wall”
Sound Barrier Wall Steel Fabrication Plans ⁵	Y	N	Article 1072-8 & “Sound Barrier Wall”
Structural Steel ⁴	Y	N	Article 1072-8
Temporary Detour Structures	Y	Y	Article 400-3 & “Construction, Maintenance and Removal of Temporary Structure at Station _____”
TFE Expansion Bearings ⁴	Y	N	Article 1072-8

FOOTNOTES

- References are provided to help locate the part of the contract where the submittals are required. References in quotes refer to the provision by that name. Articles refer to the *Standard Specifications*.
- Submittals for these items are necessary only when required by a note on plans.
- Submittals for these items may not be required. A list of pre-approved sequences is available from the producer or the Materials & Tests Unit.
- The fabricator may submit these items directly to the Structures Management Unit.
- The two sets of preliminary submittals required by Article 1072-8 of the *Standard Specifications* are not required for these items.
- Submittals for Fabrication Drawings are not required. Submittals for Catalogue Cuts of Proposed Material are required. See Section 5.A of the referenced provision.

Project P-5715

ST-13

Wake County

7. Submittals are necessary only when the top slab thickness is 18” or greater.

GEOTECHNICAL SUBMITTALS

Submittal	Submittals Required by Geotechnical Engineering Unit	Submittals Required by Structures Management Unit	Contract Reference Requiring Submittal ¹
Drilled Pier Construction Plans ²	Y	N	Subarticle 411-3(A)
Crosshole Sonic Logging (CSL) Reports ²	Y	N	Subarticle 411-5(A)(2)
Pile Driving Equipment Data Forms ^{2,3}	Y	N	Subarticle 450-3(D)(2)
Pile Driving Analyzer (PDA) Reports ²	Y	N	Subarticle 450-3(F)(3)
Retaining Walls ⁴	Y; drawings and calculations	Y; drawings	Applicable Provisions
Temporary Shoring ⁴	Y; drawings and calculations	Y; drawings	“Temporary Shoring” & “Temporary Soil Nail Walls”

FOOTNOTES

- References are provided to help locate the part of the contract where the submittals are required. References in quotes refer to the provision by that name. Subarticles refer to the *Standard Specifications*.
- Submit one hard copy of submittal to the Engineer. Submit a second copy of submittal electronically (PDF via email), US mail or other delivery service to the appropriate Geotechnical Engineering Unit regional office. Electronic submission is preferred.
- The Pile Driving Equipment Data Form is available from:
<https://connect.ncdot.gov/projects/construction/ConstManRefDocs/PILE%20DRIVING%20EQUIPMENT%20DATA%20FORM.pdf>
See second page of form for submittal instructions.
- Electronic copy of submittal is required. See referenced provision.

Project P-5715

ST-14

Wake County

CRANE SAFETY**(6-20-19)****GENERAL**

Comply with the manufacturer specifications and limitations applicable to the operation of any and all cranes and derricks. Prime contractors, sub-contractors, and fully operated rental companies shall comply with the current Occupational Safety and Health Administration (OSHA) regulations.

Submit all items listed below to the Engineer prior to beginning crane operations. Changes in personnel or equipment must be reported to the Engineer and all applicable items listed below must be updated and submitted prior to continuing with crane operations.

CRANE SAFETY SUBMITTAL LIST

- (A) Competent Person:** Provide the name and qualifications of the “Competent Person” responsible for crane safety and lifting operations. The named competent person will have the responsibility and authority to stop any work activity due to safety concerns.
- (B) Riggers:** Provide the qualifications and experience of the persons responsible for rigging operations. Qualifications and experience should include, but not be limited to, weight calculations, center of gravity determinations, selection and inspection of sling and rigging equipment, and safe rigging practices.
- (C) Crane Inspections:** Inspection records for all cranes shall be current and readily accessible for review upon request.
- (D) Certifications:** Crane operators shall be certified by the National Commission for the Certification of Crane Operators (NCCCO) or the National Center for Construction Education and Research (NCCER). Other approved nationally accredited programs will be considered upon request. In addition, crane operators shall have a current CDL medical card. Submit a list of crane operator(s) and include current certification for each type of crane operated (small hydraulic, large hydraulic, small lattice, large lattice) and medical evaluations for each operator.

MEASUREMENT AND PAYMENT

No direct payment will be made for *Crane Safety*. All costs shall be considered incidental to items for which direct payment is made.

Project P-5715

ST-15

Wake County

GROUT FOR STRUCTURES**(12-1-17)****GENERAL**

This Special Provision addresses grout for use in pile blockouts, grout pockets, shear keys, dowel holes and recesses for structures. This Special Provision does not apply to grout placed in post-tensioning ducts for bridge beams, girders, decks, end bent caps, or bent caps. Mix and place grout in accordance with the manufacturer's recommendations, the applicable sections of the *Standard Specifications* and this Special Provision.

MATERIAL REQUIREMENT

Unless otherwise noted on the plans, use a Type 3 Grout in accordance with Section 1003 of the *Standard Specifications*.

Initial setting time shall not be less than 10 minutes when tested in accordance with ASTM C266.

Construction loading and traffic loading shall not be allowed until the 3-day compressive strength is achieved.

SAMPLING AND PLACEMENT

Place and maintain components in final position until grout placement is complete and accepted. Concrete surfaces to receive grout shall be free of defective concrete, laitance, oil, grease, and other foreign matter. Saturate concrete surfaces with clean water and remove excess water prior to placing grout.

MEASUREMENT AND PAYMENT

No separate payment will be made for *Grout for Structures*. The cost of the material, equipment, labor, placement, and any incidentals necessary to complete the work shall be considered incidental to the structure item requiring grout.

Project P-5715

ST-16

Wake County

MAINTENANCE AND PROTECTION OF TRAFFIC (08-13-04)
BENEATH PROPOSED STRUCTURE AT STATION 20+75.25 -L- / 12+39.83 -E-RR-

GENERAL

Maintain traffic on CSX as shown in Traffic Control Plans and as directed by the Engineer.

Provide a minimum temporary vertical clearance of 25'-4" at all times during construction.

Submit plans and calculations for review and approval for protecting traffic and bracing girders, as described herein, at the above station before beginning work at this location. Have the drawings and design calculations prepared, signed, and sealed by a North Carolina Registered Professional Engineer. The approval of the Engineer will not relieve the Contractor of the responsibility for the safety of the method or equipment.

PROTECTION OF TRAFFIC

Protect traffic from any operation that affords the opportunity for construction materials, equipment, tools, etc. to be dropped into the path of traffic beneath the structure. Based on Contractor means and methods determine and clearly define all dead and live loads for this system, which, at a minimum, shall be installed between beams or girders over any travelway or shoulder area where traffic is maintained. Install the protective system before beginning any construction operations over traffic. In addition, for these same areas, keep the overhang falsework in place until after the rails have been poured.

BRACING GIRDERS

Brace girders to resist wind forces, weight of forms and other temporary loads, especially those eccentric to the vertical axis of the member during all stages of erection and construction. Before casting of intermediate diaphragms, decks, or connecting steel diaphragms do not allow the horizontal movement of girders to exceed ½ inch.

MEASUREMENT AND PAYMENT

Payment at the contract unit prices for the various pay items will be full compensation for the above work.

Project P-5715

ST-17

Wake County

THERMAL SPRAYED COATINGS (METALLIZATION)**(12-1-2017)****DESCRIPTION**

Apply a thermal sprayed coating (TSC) and sealer to metal surfaces in accordance with the *Thermal Sprayed Coatings (Metallization) Program* and as specified herein when called for on the plans or by other Special Provisions. Use only Arc Sprayed application methods to apply TSC. The Engineer must approve other methods of application.

The *Thermal Sprayed Coatings (Metallization) Program* is available on the Materials and Tests Unit website.

QUALIFICATIONS

Only use NCDOT approved TSC Contractors meeting the requirements outlined in the *Thermal Sprayed Coatings (Metallization) Program*.

MATERIALS

Use only materials meeting the requirements of Section 7 of the *Thermal Sprayed Coatings (Metallization) Program*.

SURFACE PREPARATION AND TSC APPLICATION

Surface preparation of TSC surfaces shall meet the requirements of Section 8 of the *Thermal Sprayed Coatings (Metallization) Program*. Apply TSC with the alloy to the thickness specified on the plans or as required by *Thermal Sprayed Coatings (Metallization) Program*.

INSPECTION AND TESTING

The TSC Contractor must conduct inspections and tests listed in the *Thermal Sprayed Coatings (Metallization) Program*.

REPAIRS

Perform all shop repairs in accordance with the procedures outlined in the *Thermal Sprayed Coatings (Metallization) Program*.

Repairs associated with field welding shall be made by removing the existing metallizing by blast or power tool cleaning. Affected areas shall be addressed as follows:

- For Marine Environments, incorporate a minimum surface preparation in accordance with SSPC SP-11 (Power Tool Cleaning to Bare Metal) and require an approved epoxy mastic coating applied in accordance with the manufacturer's recommendation. Apply a minimum of two (2) coats at a rate of 5-7 (WFT) per coat to the affected area.

Project P-5715

ST-18

Wake County

- For Non-Marine Environments, incorporate a minimum surface preparation in accordance with SSPC SP-11 (Power Tool Cleaning to Bare Metal) and require an approved organic zinc-rich coating applied in accordance with the manufacturer's recommendation. Apply a minimum of two (2) coats at a rate of 5-7 (WFT) per coat to the affected area.
 - (1) Minor localized areas less than or equal to 0.1 ft² with exposed substrate shall be repaired as outlined above for marine and non-marine environments.
 - (2) Large localized areas greater than 0.1 ft² with exposed substrate shall require the Contractor to submit a detailed repair procedure to the Engineer for review and approval.
 - (3) Repair methods for areas where the substrate has not been exposed shall be mutually agreed upon between the Contractor and TSC Contractor as approved by the Engineer.

TWELVE MONTH OBSERVATION PERIOD

All TSC materials applied under the *Thermal Sprayed Coatings (Metallization) Program* shall be evaluated twelve (12) months after project acceptance for defective materials and workmanship.

MEASUREMENT AND PAYMENT

The contract price bid for the metal component to which the TSC is applied will be full compensation for the thermal sprayed coating.

Project P-5715

ST-19

Wake County

BRIDGE MOUNTED BLACK VINYL COATED CHAIN LINK FENCE (SPECIAL)

Description

The work covered by this provision consists of furnishing and erecting bridge mounted black vinyl coated steel chain link fence mounted on black vinyl coated posts that complies with the plans and Articles 866 and 1050 of the Standard Specifications.

Materials

Provide materials that meet the requirements of Article 866-2 of the *Standard Specifications*.

Construction Methods

Construct the bridge mounted black vinyl coated chain link fence in accordance with Article 866-3 of the *Standard Specifications*. Work will include labor, materials, and equipment to satisfactorily complete installation of the fencing shown on the plans.

Measurement and Payment

Bridge Mounted Black Vinyl Coated Chain Link Fence, will be measured and paid in linear feet of fence measured in place from center of each post to center of end post, including fence fabric, posts, rails, fittings hardware, and accessories, that has been completed and accepted. Such price includes, but is not limited to, providing all necessary labor, tools, equipment, and materials necessary to acceptably install all fence elements.

Payment will be made under:

Pay Item

Bridge Mounted Black Vinyl Coated Chain Link Fence

Pay Unit

Linear Foot

Project P-5715

ST-20

Wake County

MODIFIED 54" PRESTRESSED CONCRETE GIRDERS

(SPECIAL)

Material requirements, fabrication, and tolerance requirements shall be in accordance with section 1078 of the Standard Specifications.

Girder erection and handling, installation, measurement, and payment shall be in accordance with section 430 of the Standard Specifications.

Payment will be made under:

Pay Item

Modified 54" Prestressed Concrete Girders

Pay Unit

Linear Foot

CSX OP No. NC0889

SPECIAL PROVISIONS FOR PROTECTION OF RAILROAD INTEREST

Under the terms of these provisions, the North Carolina Department of Transportation shall hereinafter be called “Department”, and the CSX Transportation, Inc. shall hereinafter be called “Railroad”.

The CSXT Special Provisions, CSXT Criteria for Undergrade Railroad Bridges, CSXT Construction Submission Criteria, CSXT Soil and Water Management Policy, and CSXT Insurance Requirements, as found in the CSX Transportation Public Projects Manual, which can be found at, <https://www.csx.com/index.cfm/library/files/about-us/property/public-project-manual/>, as well as the current version of the CSXT Design and Construction Standard Specifications available at the time of execution of the agreement, which shall be obtained from CSXT or its authorized representative upon request from the Department or its Contractor, all of the aforementioned shall be considered to be included by reference only, and the attached project-specific CSXT Temporary Right of Entry Agreement shall serve as the basis for the railroad provisions of this contract. CSXT further reserves the right to revise, update and enforce any and all safety related Design and Construction Standards and Specifications as may be necessary throughout the course of the project. The following additional statements are to be included as addendums to the referenced provisions:

- Requirements throughout these provisions placed on “Agency or its Contractor” shall be the sole responsibility of the Contractor unless specifically stated otherwise elsewhere within these provisions. All contractor costs for railroad coordination shall be considered incidental to the other pay items.
- Unless noted elsewhere in these provisions, all contact with Railroad should be addressed to the below individual who shall be considered the CSXT Representative.

Mr. G. Douglas Barber
CE&I Lead
AECOM
(704) 295-2431 (Direct)
(919) 791-9777 (Mobile)
Doug.barber@aecom.com

- The Engineer shall be considered the Department Representative.
- All required work plan submittals shall be forwarded to and approved in writing by the Railroad prior to proceeding with the work of each applicable phase. Up to thirty (30) days will be required to review each submittal. Up to an additional thirty (30) days will be required to review each subsequent submission returned not marked “Conforms As Noted”. The Contractor shall be responsible for submitting these to the Railroad and

providing a copy to the Engineer.

- At project completion, a complete set of “As Built” plans for the proposed construction shall be submitted to CSXT Bridge Maintenance and Design Group via AECOM. CSXT will keep these plans on file in Jacksonville for future reference. Please address these plans to:

Mr. G. Douglas Barber
CE&I Lead
AECOM
(704) 295-2431 (Direct)
(919) 791-9777 (Mobile)
Doug.barber@aecom.com

- CSXT Special Provisions Section VI.A - The following paragraph shall be added as the second paragraph

The Department will bear all railroad costs incidental to such crossings including flagging and services performed by Railroad personnel. Written approval from the Engineer is required prior to use of the crossings. The Contractor shall sequence construction to minimize the duration the crossing(s) remain in-place. The Contractor shall reimburse the Department for any costs of the flagging for the crossing outside of the duration approved by the Engineer. Cost of the installation, maintenance and removal of the temporary crossing(s) incurred by the Contractor will be considered incidental to the other pay items.

- CSXT Special Provisions Section XII.C – Flagging requests should be made to FLAGGING@aecom.com. Termination or cancellation of flagger requires ten (10) days’ notice to avoid incurring costs.
- CSXT Special Provisions Section XII.D - The following paragraph shall be added as the second paragraph

Should violations of Railroad policy or unscheduled, unauthorized work by the Contractor result in additional full time flagging being required by the Railroad, the additional cost of such flagging above normal flagging cost shall be deducted from the final payment to the Contractor as provided in Article 109-9 of the Standard Specifications. Neither Department nor Railroad will be liable for damages resulting from unscheduled or unauthorized work.

- CSXT Special Provisions Section XII.E - Include the following sentence at the end of the paragraph

The Contractor shall reimburse the Department for any costs of the flagging which is required for work for the benefit of the Contractor.

- Insurance Requirements Section I.4.d - The Project Description and Designation on the Declarations shall read:

Raleigh, Wake County, North Carolina, Grade Separation New Hope Church Road over CSXT at Milepost S 152.32, Carolinas Zone, Norlina Subdivision, DOT No. #630607N; CSXT OP# NC0889, State# P-5715

- Insurance Requirements Section II.1 - Insurance documents shall be submitted to the Department at the following address:

NCDOT Rail Division
Engineering & Safety Branch
C/O State Railroad Agent
1556 Mail Service Center
Raleigh, NC 27699-1556

- The Contractor shall not commence any work on railroad rights-of-way until a fully executed copy of the attached CSX Transportation Inc. Temporary Right of Entry Agreement has been received and all other requirements of these provisions for commencement of work have been completed. It should be noted that the provisions included in the CSXT Temporary Right of Entry Agreement materially duplicate those included in the CSXT Special Provisions and are not intended to be standalone requirements. It shall be noted that obtaining the Temporary Right of Entry Agreement will take between four (4) and six (6) months to obtain barring there are no changes requested to the language shown below.

Raleigh, Wake County, North Carolina
Grade Separation over CSXT S-Line at Milepost S-152.32
Carolinas Zone, Norlina Subdivision
DOT# 46927.3.1; OP# NC0889; State# P-5715

**CSX Transportation, Inc.
Temporary Right of Entry Agreement**

THIS AGREEMENT, made as of _____, 20____, by and between CSX TRANSPORTATION, INC., a Virginia corporation, whose mailing address is 500 Water Street, Jacksonville, Florida 32202, (hereinafter "**CSXT**") and named Contractor, (*****), whose mailing address is (*****), (*****), (hereinafter "**Licensee**").

W I T N E S S E T H:

WHEREAS, Licensee has submitted a written application to CSXT requesting permission to enter CSXT’s property located within the Carolinas Zone, Norlina Subdivision, at DOT#: 46927.1.1, MP S-152.32, New Hope Church Road in Raleigh, Wake County, North Carolina (hereinafter the "**Property**"), for the Grade Separation over the CSXT S-Line on behalf of the North Carolina Department of Transportation ("**Department**"), located at MP S-152.32 from approximately Sta. 20 + 56.95 to Sta. 21 + 30.15 on the right of way owned by the Department (hereinafter the "**Project**").

WHEREAS, CSXT is willing to grant to Licensee the limited right and permission to enter upon the Property for the limited purpose of performing the Project.

NOW THEREFORE, CSXT hereby grants to Licensee the right and permission to enter upon the Property for the purpose of performing said Project, subject to the terms and conditions set forth below:

1. **PROJECT:** The Project shall be performed at the entire cost and expense of the Department per the fully executed Construction Agreement between the Department and CSXT for this project, dated _____, 20__ in accordance with good and sound engineering practices, to the satisfaction of CSXT’s Division Engineer or his or her duly authorized representative (hereinafter “Division Engineer”) and in a manner to avoid accidents, damages, unnecessary delays to, or interference with train traffic of CSXT. Prior to entry, Licensee shall notify the Division Engineer’s representative and arrange for flagging protection in accordance to Sections 5 and 6 of this Agreement. Licensee shall not dig in the ballast line or within the tracks loading influence area, or otherwise disturb the track structure. Licensee and Licensee’s employees, agents, contractors (hereinafter “Contractors”) and other representatives (hereinafter collectively, “Agents”) shall maintain in their possession a copy of this Agreement at all times during their occupation of the Property. Licensee and Agents also further agree to abide by the Special Provisions included as Attachment B to this Agreement.

2. **INDEMNITY:**

2.1 Licensee and its Contractors hereby assume risk of and shall indemnify, defend, protect, and save CSXT and CSXT’s Affiliates harmless with respect to any and all attorneys' fees, liability, claims, demands, payments, suits, actions, recoveries, penalties, costs, legal expenses, judgments, settlements, and damages of every nature, degree, and kind (including direct, indirect, consequential, incidental, and punitive damages) for:

2.1.1 Personal injury, including, but not limited to bodily injury to or death of any person or persons whomsoever, including the agents, servants, Affiliates or employees of the parties, or the Contractors;

- 2.1.2 The loss or damage to any property whatsoever, including property owned or in the care, custody, or control of the parties hereto or their respective Affiliates;
 - 2.1.3 Any environmental damage and any related remediation brought or recovered against CSXT or any of its Affiliates; and
 - 2.1.4 Any and all other losses or damages; arising directly or indirectly from the presence of Licensee or its Agents on or about the Property, whether or not attributable in whole or part to the negligence, gross negligence, or intentional misconduct of CSXT or its Affiliates.
- 2.2 The parties waive any and all right or opportunity to contest the enforceability of this Section and agree that, in the event this Section, or any part of this Section, is found unenforceable by the final, unappealable judgment of a court of competent jurisdiction, this Section shall be construed so as to be enforceable to the maximum extent permitted by applicable law. In the event that such court of competent jurisdiction finds that Florida statutory construction contract indemnity monetary limits apply to this Agreement with respect to Licensee's/Contractors' indemnification of CSXT and its Affiliates for liability caused in whole or in part by any act, omission, or default by CSXT or its Affiliates, the parties hereto agree that such limit shall be equal to the limits (exclusive of deductibles) of the applicable insurance required by Sections 3 and 4 of this Agreement. The parties acknowledge and agree that this monetary limit, if required, bears a commercially reasonable relationship to this Agreement, in so far as, among other factors, the parties have taken into account the availability and cost of insurance and other risk transference devices, the scope of the Project, the risks associated with the Project, and the compensation and any other benefits exchanged between the parties in connection with this Agreement.
- 2.2.1 Licensee shall comply, and shall require its Contractors to comply, with any federal, State, or local laws, statutes, codes, ordinances, rules, and regulations applicable to its presence or performance of any activity on the Property. Licensee and its Contractors shall indemnify, defend, and hold CSXT and its Affiliates harmless with respect to any fines, penalties, liabilities, or other consequences for its failure to so comply.
 - 2.2.2 For the purpose of this Agreement, the term "Affiliates" includes all entities, directly or indirectly owned or controlled by or under common control of a party or its respective officers, directors, employees, and agents, and in the case of CSXT, includes CSX Corporation, CSXT, and their Affiliates and their respective officers, directors, employees, and agents.
 - 2.2.3 The provisions of this Section shall survive the termination or expiration of this Agreement.
3. **GENERAL LIABILITY INSURANCE:** Licensee shall or shall require its Contractor to procure and maintain insurance in compliance with CSXT's insurance requirements attached to this Agreement as Attachment A. Neither the Department nor its Contractor shall commence work on the Project until such policy or policies have been submitted to and approved by CSXT's Risk Management Department.

4. **RAILROAD PROTECTIVE LIABILITY INSURANCE:** Licensee shall or shall require its Contractor to procure and maintain Railroad Protective Liability insurance in compliance with CSXT's requirements attached to this Agreement as Attachment A.
5. **PRIOR NOTIFICATION:** Licensee or Licensee's Agents shall notify CSXT's General Engineering Consultant (GEC) Representative at least ten (10) days prior to requiring entry on the Property and shall abide by the instructions of the Division Engineer, or his or her authorized representative. CSXT's GEC Representative, AECOM, can be contacted at FLAGGING@aecom.com to schedule flagging services.
6. **CLEARANCES:** Neither Licensee nor Agents shall perform any Project or place or operate any equipment of Licensee or Agents at a distance closer than fifty (50) feet from the center of any track, without the prior approval of the Division Engineer. The Division Engineer may require protective services or such other services as deemed necessary or appropriate. Equipment shall be moved across CSXT's track(s) only at a public crossing unless prior arrangements have been made with the Division Engineer and a Private Crossing Agreement is fully executed and in place. Licensee and Agents shall take all precautions necessary to avoid interference with or damage to CSXT's property and signal and communication facilities during their performance of the Project.
7. **PROTECTIVE SERVICES:** If protective services, such as flagging protection, are required by CSXT, Licensee shall make arrangements with CSXT's GEC Representative to furnish such personnel, flagman, or watchman, that in CSXT's opinion may be necessary to protect the facilities and traffic of CSXT during the performance of the Project.
8. **PAYMENT FOR PROTECTIVE SERVICES:** Payment shall be made by the Department in accordance with the fully executed Construction Agreement between the Department and CSXT for this project.
9. **ENVIRONMENTAL:** This Agreement does not include and expressly excludes the performance of any site investigation activities designed to determine environmental conditions on, about, or beneath the Property. Precluded activities include performing soil borings for purposes other than geotechnical investigation; obtaining soil, sediment, groundwater, and surface water samples; and conducting field or laboratory analyses of any soil, sediment, groundwater, or surface water samples obtained from CSXT property to identify chemical composition or environmental condition. *If any type of environmental investigation is desired, a separate right of entry agreement issued through CSXT's Environmental Department must be secured.*
10. **CLAIMS:** Licensee shall, or shall require Agents, to promptly notify the Division Engineer of any loss, damage, injury, or death arising out of or in connection with the Project.
11. **REMEDIATION:** It is understood and agreed that, upon completion of the Project, the Property shall be left in a condition satisfactory to the Division Engineer or his or her duly authorized representative.
12. **SAFETY:**
 - 12.1 All personnel entering the Property must comply with CSXT safety rules and requirements to include, without exception, the wearing of hard hats and approved safety shoes and

safety glasses with side shields. Anyone not in compliance with these rules and regulations will be asked to leave the Property.

- 12.2 Before performing any work authorized by this Agreement, Licensee, at its sole cost and expense, shall obtain all necessary permit(s) (including but not limited to zoning, building, construction, health, safety, or environmental matters), letter(s), or certificate(s) of approval. Licensee expressly agrees and warrants that it shall conform and limit its activities to the terms of such permit(s), approval(s), and authorization(s) and shall comply with all applicable ordinances, rules, regulations, requirements, and laws of any governmental authority (State, federal or local) having jurisdiction over Licensee's activities, including the location, contact, excavation, and protection regulations of the Occupational Safety and Health Act (OSHA) (29 C.F.R. § 1926.651(b), et al.), and State "One Call"- "Call Before You Dig" requirements.
13. **TERM:** This Right-of-Entry Agreement and the permission conferred and the license granted by it does not constitute a grant of permanent easement and shall terminate upon completion of the Project or at midnight, _____, whichever occurs first, unless extended in writing by CSXT. In the event Licensee fails to comply with the terms and provisions of this Agreement, Licensee agrees to pay and agrees that CSXT shall be entitled to recover the costs and expenses incurred by CSXT, including legal fees and expenses, to enforce the terms of this Agreement.
14. **SEVERABILITY:** The parties agree that if any part, term, or provision of this Agreement is held to be illegal, unenforceable, or in conflict with any applicable federal, State, or local law or regulation, such part, term, or provision shall be severable, with the remainder of this Agreement remaining valid and enforceable. If any provision or any part of a provision of this Agreement shall be finally determined to be superseded, invalid, illegal, or otherwise unenforceable pursuant to any applicable law, ordinance, rule, or regulation, such determination shall not impair or otherwise affect the validity, legality, or enforceability of the remaining provision or parts of the provision of this Agreement, which shall remain in full force and effect as if the unenforceable provision or part were deleted.
15. **ENTIRE AGREEMENT:** This Agreement embodies the entire understanding of the parties, may not be waived or modified except in a writing signed by authorized representatives of both parties, and supersedes all prior or contemporaneous written or oral understandings, agreements, or negotiations regarding its subject matter.
16. **NOTICES:** All notices, consents, and approvals required or permitted by this Agreement shall be in writing and shall be deemed delivered; upon personal delivery, upon the expiration of three (3) business days following mailing by U.S. first class mail, or upon the next business day following mailing by a nationally recognized overnight carrier, to the Licensee at the address above, and to CSXT at the address shown on Page 1, or at such other addresses as either party may designate by delivery of prior notice to the other party.
17. **TERMINATION:** CSXT shall have the right at any time and at its sole discretion to terminate this Agreement upon notice to Licensee.
18. **WAIVER:** If either party fails to enforce its respective rights under this Agreement or fails to insist upon the performance of the other party's obligations hereunder, such failure shall not be construed as a permanent waiver of any rights or obligations in this Agreement.

19. **GOVERNING LAW; VENUE:** This Agreement shall be governed by and construed under the laws of the State of North Carolina, without regard to the choice of law provisions thereof. Venue for any action arising from, or brought to enforce, this Agreement, shall vest exclusively in the state or federal courts located in Duval County, Florida, and the parties agree to submit to the personal jurisdiction of any state or federal court located in Duval County, Florida.
20. **NO ASSIGNMENT:** Notwithstanding anything to the contrary contained in this Agreement, Licensee shall not permit the Agents to enter the Property without first requiring the Agents to agree in writing to comply with all of the terms of this Agreement. Notwithstanding the foregoing, Licensee shall continue to be responsible for ensuring that the Agents comply with all of the terms and conditions of this Agreement and shall indemnify and hold CSXT harmless for any damages described in Section 2 above caused in whole or in part by such subcontractor. Assignment of this Agreement to any party other than the Agents in accordance with this Section shall not be permitted except upon the prior written consent of CSXT, which consent may be granted or withheld at CSXT's sole discretion. This Agreement shall be binding upon the parties and their respective successors and assigns.

[Signatures appear on following page]

Raleigh, Wake County, North Carolina
Grade Separation over CSXT S-Line at Milepost S-152.32
Carolinas Zone, Norlina Subdivision
DOT# 46927.3.1; OP# NC0889; State# P-5715

BY SIGNING THIS AGREEMENT, I certify that there have been no changes made to the content of this Agreement since its approval by the CSXT Legal Department on _____, 20__.

IN WITNESS WHEREOF, the parties hereto have caused this Agreement to be executed as of the day and year first above written.

CSX TRANSPORTATION, INC.

BY: _____

NAME: Michael Liebelt

TITLE: Project Manager II

DATE: _____

(*****):

BY: _____

NAME: _____

TITLE: _____

Who, by the execution hereof, affirms that he/she has the authority to do so and to bind (*****) to the terms and conditions of this Agreement.

Attachment AINSURANCE REQUIREMENTSI. Insurance Policies:

The Department and its Contractor, if and to the extent that either is performing work on or about CSXT's property, shall procure and maintain the following insurance policies:

1. Commercial General Liability coverage at their sole cost and expense with limits of not less than Five Million Dollars (\$5,000,000) in combined single limits for bodily injury and/or property damage per occurrence, and such policies shall name CSXT as an additional named insured. The policy shall include endorsement ISO CG 24 17 evidencing that coverage is provided for work within fifty (50) feet of a railroad. If such endorsement is not included, railroad protective liability insurance must be provided as described in Item 4 below.
2. Statutory Worker's Compensation and Employers Liability Insurance with limits of not less than One Million Dollars (\$1,000,000), which insurance must contain a waiver of subrogation against CSXT and its affiliates (if permitted by state law).
3. Commercial automobile liability insurance with limits of not less than One Million Dollars (\$1,000,000) combined single limit for bodily injury and/or property damage per occurrence, and such policies shall name CSXT as an additional named insured. The policy shall include endorsement ISO CA 20 70 evidencing that coverage is provided for work within fifty (50) feet of a railroad. If such endorsement is not included, railroad protective liability insurance must be provided as described in Item 4 below.
4. Railroad protective liability insurance with limits of not less than Five Million Dollars (\$5,000,000) combined single limit for bodily injury and/or property damage per occurrence and an aggregate annual limit of Ten Million Dollars (\$10,000,000), which insurance shall satisfy the following additional requirements:
 - a. The Railroad Protective Insurance Policy must be on the ISO/RIMA Form of Railroad Protective Insurance - Insurance Services Office (ISO) Form CG 00 35.
 - b. CSX Transportation must be the named insured on the Railroad Protective Insurance Policy.
 - c. Name and Address of Contractor and the Department must appear on the Declarations page.
 - d. Description of operations must appear on the Declarations page and must match the Project description.
 - e. Authorized endorsements must include the Pollution Exclusion Amendment - CG 28 31, unless using form CG 00 35 version 96 and later.
 - f. Authorized endorsements may include:

- (i). Broad Form Nuclear Exclusion - IL 00 21
- (ii) 30-day Advance Notice of Non-renewal or cancellation
- (iii) Required State Cancellation Endorsement
- (iv) Quick Reference or Index - CL/IL 240

g. Authorized endorsements may not include:

- (i) A Pollution Exclusion Endorsement except CG 28 31
- (ii) A Punitive or Exemplary Damages Exclusion
- (iii) A "Common Policy Conditions" Endorsement
- (iv) Any endorsement that is not named in Section 4 (e) or (f) above.
- (v) Policies that contain any type of deductible

- 5. All insurance companies must be A.M. Best rated A- and Class VII or better.
- 6. The CSX OP number or CSX contract number, as applicable, must appear on each Declarations page and/or certificates of insurance.
- 7. Such additional or different insurance as CSXT may require.

II. Additional Terms

- 1. Contractor must submit the original Railroad Protective Liability policy, Certificates of Insurance, and all notices and correspondence regarding the insurance policies to:

Insurance Department
 CSX Transportation, Inc.
 500 Water Street, 14th Floor
 Jacksonville, FL 32202

OR

insurancedocuments@csx.com and [CMR email address]

- 2. Neither the Department nor its Contractor may begin work on the Project until it has received CSXT's written approval of the required insurance.

Attachment B

SPECIAL PROVISIONS

DEFINITIONS:

As used in these Special Provisions, all capitalized terms shall have the meanings ascribed to them by the Agreement, and the following terms shall have the meanings ascribed to them below:

“CSXT” shall mean CSX Transportation, Inc., its successors and assigns.

“CSXT Representative” shall mean the authorized representative of CSX Transportation, Inc.

“Agreement” shall mean the Agreement between CSXT and the Department dated as of _____, 20__ amended from time to time.

“Department” shall mean the North Carolina Department of Transportation.

“Department Representative” shall mean the authorized representative of the North Carolina Department of Transportation.

“Contractor” shall mean the Licensee identified in the CSX Transportation, Inc. Temporary Right of Entry Agreement to which these provisions are attached.

“Work” shall mean the Project as described in the Agreement.

I. AUTHORITY OF CSXT ENGINEER

The CSXT Representative shall have final authority in all matters affecting the safe maintenance of CSXT operations and CSXT property, and his or her approval shall be obtained by the Department or its Contractor for methods of construction to avoid interference with CSXT operations and CSXT property and all other matters contemplated by the Agreement and these Special Provisions.

II. INTERFERENCE WITH CSXT OPERATIONS

A. The Department or its Contractor shall arrange and conduct its work so that there will be no interference with CSXT operations, including, but not limited to train, signal, telephone, and telegraphic services, or damage to CSXT’s property, or to poles, wires, and other facilities of tenants on CSXT’s Property or right-of-way. The Department or its Contractor shall store materials so as to prevent trespassers from causing damage to trains, or CSXT Property. Whenever Work is likely to affect the operations or safety of trains, the method of doing such Work shall first be submitted to the CSXT Representative for approval, but such approval shall not relieve the Department or its Contractor from liability in connection with such Work.

B. If conditions arising from or in connection with the Project require that immediate and unusual provisions be made to protect train operation or CSXT’s property, the Department or its Contractor shall make such provision. If the CSXT Representative determines that

such provision is insufficient, CSXT may, at the expense of the Department or its Contractor, require or provide such provision as may be deemed necessary, or cause the Work to cease immediately.

- C. Should work activities be required within CSXT property or right-of-way, the Contractor shall request CSXT to locate any buried utilities or facilities (air lines, wells, etc.). A written request shall be delivered to the CSXT Representative at least five (5) days in advance. The traditional "One Call" utility locate services are not responsible for locating any CSXT undergrade utilities or facilities.

III. INSURANCE

The Contractor shall not be permitted to work on, or have potential to foul, CSXT property or right-of-way until CSXT has acknowledged written acceptance of the insurance coverages for the proposed project. See CSXT INSURANCE REQUIREMENTS following these CSXT SPECIAL PROVISIONS.

IV. NOTICE OF STARTING WORK

The Department or its Contractor shall not commence any work on CSXT Property or rights-of-way until it has complied with the following conditions:

- A. Notify CSXT in writing of the date that it intends to commence Work on the Project. Such notice must be received by CSXT at least ten (10) business days in advance of the date the Department or its Contractor proposes to begin Work on CSXT property. The notice must refer to this Agreement by date. If flagging service is required, such notice shall be submitted at least thirty (30) business days in advance of the date scheduled to commence the Work.
- B. Obtain authorization, through the Notice to Proceed, from the CSXT Representative to begin Work on CSXT property. Once authorization is given, the Department or its Contractor shall provide a detailed schedule to include means and methods for review, comment and/or approval prior to commencement of work. CSXT will in turn provide direction regarding specific conditions with which it must comply.
- C. Obtain from CSXT the names, addresses, and telephone numbers of CSXT's personnel who must receive notice under provisions in the Agreement. Where more than one individual is designated, the area of responsibility of each shall be specified.

V. WORK FOR THE BENEFIT OF THE CONTRACTOR

- A. No temporary or permanent changes to wire lines or other facilities (other than third party fiber optic cable transmission systems) on CSXT property that are considered necessary to the Work are anticipated or shown on the Plans. If any such changes are, or become, necessary in the opinion of CSXT or Department, such changes will be covered by appropriate revisions to the Plans and by preparation of a force account estimate. Such force account estimate may be initiated by either CSXT or the Department but must be approved by both CSXT and the Department. The Department or its Contractor shall be

responsible for arranging for the relocation of the third-party fiber optic cable transmission systems, at no cost or expense to CSXT.

- B. Should the Department or its Contractor desire any changes in addition to the above, then it shall make separate arrangements with CSXT for such changes to be accomplished at the Department or its Contractor's expense.

VI. HAUL ACROSS RAILROAD

- A. If the Department or its Contractor desires access across CSXT property or tracks at other than an existing and open public road crossing in or incident to construction of the Project, the Department or its Contractor must first obtain the permission of CSXT and shall execute a license agreement or right of entry satisfactory to CSXT, wherein the Department or its Contractor agrees to bear all costs and liabilities related to such access.
 - 1. Temporary construction haul roads across CSXT tracks will require a separate application and payment to CSXT Property Services. Agreement extensions require additional payment. Actual cost is variable and project specific. Additional information can be found at this URL: <https://www.csx.com/index.cfm/customers/value-added-services/property-real-estate/permitting-utility-installations-and-rights-of-entry/>.
- B. The Department and its Contractor shall not cross CSXT's property and tracks with vehicles or equipment of any kind or character, except at such crossing or crossings as may be permitted pursuant to this section.

VII. COOPERATION AND DELAYS

- A. The Department or its Contractor shall arrange a schedule with CSXT for accomplishing stage construction involving work by CSXT. In arranging its schedule, the Department or its Contractor shall ascertain, from CSXT, the lead time required for assembling crews and materials and shall make due allowance therefor.
- B. The Department or its Contractor may not charge any costs or submit any claims against CSXT for hindrance or delay caused by railroad traffic; work done by CSXT or other delay incident to or necessary for safe maintenance of railroad traffic; or for any delays due to compliance with these Special Provisions.
- C. The Department and its Contractor shall cooperate with others participating in the construction of the Project to the end that all work may be carried on to the best advantage.
- D. The Department and its Contractor understand and agree that CSXT does not assume any responsibility for work performed by others in connection with the Project. The Department and its Contractor further understand and agree that they shall have no claim whatsoever against CSXT for any inconvenience, delay or additional cost incurred by the Department or its Contractor on account of operations by others.

VIII. STORAGE OF MATERIALS AND EQUIPMENT

The Department and its Contractor shall not store their materials or equipment on CSXT's property or where they may potentially interfere with CSXT's operations, unless the Department or its Contractor has received CSXT Representative's prior written permission. The Department and its Contractor understand and agree that CSXT will not be liable for any damage to such materials and equipment from any cause and that CSXT may move, or require the Department or its Contractor to move, such material and equipment at the Department's or its Contractor's sole expense. To minimize the possibility of damage to the railroad tracks resulting from the unauthorized use of equipment, all grading or other construction equipment that is left parked near the tracks unattended by watchmen shall be immobilized to the extent feasible so that it cannot be moved by unauthorized persons.

IX. CONSTRUCTION PROCEDURES

A. General

1. Construction work on CSXT property shall be subject to CSXT's inspection and approval.
2. Construction work on CSXT property shall be in accord with CSXT's Construction Submission Criteria, latest edition and CSXT's written outline of specific conditions and with these Special Provisions.
3. Contractor shall observe the terms and rules of the CSXT Safe Way manual, which the Department and its Contractor shall be required to obtain from CSXT, and in accord with any other instructions furnished by CSXT or CSXT's Representative. Failure to comply with the terms of the agreement and CSXT rules can result in mandatory railroad worker protective training for the Department, Contractor, and its subcontractors.

B. Blasting

1. The Department or its Contractor shall obtain CSXT Representative's and the Department Representative's prior written approval for use of explosives on or adjacent to CSXT property. If permission for use of explosives is granted, the Department or its Contractor must comply with the following:
 - a. Blasting shall be done with light charges under the direct supervision of a responsible officer or employee of the Department or its Contractor.
 - b. Electric detonating fuses shall not be used because of the possibility of premature explosions resulting from operation of two-way train radios.
 - c. No blasting shall be done without the presence of an authorized representative of CSXT. At least thirty (30) days' advance written notice to CSXT Representative is required to arrange for the presence of an authorized CSXT representative and any flagging that CSXT may require.

- d. The Department or its Contractor must have at the Project site adequate equipment, labor, and materials, and allow sufficient time, to (i) clean up (at the Department's expense) debris resulting from the blasting without any delay to trains; and (ii) correct (at the Department's expense) any track misalignment or other damage to CSXT's property resulting from the blasting, as directed by CSXT Representative, without delay to trains. If the Department's or its Contractor's actions result in delay of any trains, including Amtrak passenger trains, the Department shall bear the entire cost thereof.
- e. The Department and its Contractor shall not store explosives on CSXT property.

2. CSXT Representative will:

- a. Determine the approximate location of trains and advise the Department or its Contractor of the approximate amount of time available for the blasting operation and clean-up.
- b. Have the authority to order discontinuance of blasting if, in his or her opinion, blasting is too hazardous or is not in accord with these Special Provisions.

X. ENVIRONMENTAL

- A. Should soil excavation within CSXT property be anticipated and said soils cannot remain on CSXT property during and after construction, then CSXT Environmental must be contacted at least thirty (30) days in advance of the work in order to schedule sampling, classification, and disposition of material. Excavated material is prohibited from being removed from CSXT property, or rights-of-way, without expressed written direction from CSXT. Should final disposition require disposal of excavated material, CSXT shall have sole discretion of means and location of said disposal. The project sponsor or the Department will bear all costs associated with sampling, staging, and subsequent disposal if deemed necessary. Contractor will be required to obtain all disposal tickets / documentation and provide the information to the CSXT Representative. CSXT will not bear any costs associated with this work.
- B. Any waste materials generated by the Project, including but not limited to washing with cleaning solvents, blasting, scraping, brushing, and painting operations, shall be the responsibility of the Department or its Contractor and shall be contained, collected, and properly disposed of by the Department or its Contractor. The Department and its Contractor agree to fully comply with all federal, State, and local environmental laws, regulations, statutes, and ordinances at all times.

XI. MAINTENANCE OF DITCHES ADJACENT TO CSXT TRACKS

The Department or its Contractor shall maintain all ditches and drainage structures free of silt or other obstructions that may result from their operations. In addition, the Department or its Contractor shall maintain all CSXT property or right-of-way impacted by project operations

including but not limited to; access or haul roads, staging areas, parking lots in a manner that provides CSXT free and clear access to facilities, and materials while providing acceptable driving surfaces free of drainage impacts or reduced CSXT capacity. The Department or its Contractor shall provide erosion control measures during construction and use methods that accord with applicable state standard specifications for road and bridge construction, including either (1) silt fence; (2) hay or straw barrier; (3) berm or temporary ditches; (4) sediment basin; (5) aggregate checks; and (6) channel lining. All such maintenance and repair of damages due to the Department's or its Contractor's operations shall be performed at the Department's expense.

XII. TRACK PROTECTION / INSPECTION SERVICE

- A. CSXT has sole authority to determine the need for track protection required to protect its operations and property. In general, track protection will be required whenever the Department or its Contractor or their equipment are, or are likely to be, working within fifty (50) feet of live track or other track clearances specified by CSXT, or over tracks.
- B. The Department shall reimburse CSXT directly for all costs of track protection that is required on account of construction within CSXT property shown in the Plans, or that is covered by an approved plan revision, supplemental agreement, or change order.
- C. The Department or its Contractor shall give a minimum of thirty (30) days' advance written notice to CSXT Representative for anticipated need for track protection. No work shall be undertaken until the flag person(s) is/are at the job site. If it is necessary for CSXT to advertise a flagging job for bid, it may take up to ninety (90) days to obtain this service; CSXT shall not be liable for the cost of delays attributable to obtaining such service.
- D. CSXT shall have the right to assign an individual to the site of the Project to perform inspection service whenever, in the opinion of CSXT Representative, such inspection may be necessary. The Department shall reimburse CSXT for the costs incurred by CSXT for such inspection service. Inspection service shall not relieve the Department or its Contractor from liability.
- E. CSXT shall render invoices for, and the Department shall pay for, the actual pay rate of the flagpersons and inspectors used, plus standard additives, whether that amount is above or below the rate provided in the Estimate. If the rate of pay that is to be used for inspector or flagging service is changed before the work is started or during the progress of the work, whether by law or agreement between CSXT and its employees, or if the tax rates on labor are changed, bills will be rendered by CSXT and paid by the Department using the new rates. The Department and its Contractor shall perform their operations that require track protection or inspection service in such a manner and sequence that the cost of such will be as economical as possible.

XIII. UTILITY FACILITIES ON CSXT PROPERTY

The Department shall arrange, upon approval from CSXT, to have any utility facilities on or over CSXT Property changed as may be necessary to provide clearances for the proposed trackage.

XIV. CLEAN-UP

The Department or its Contractor, upon completion of the Project, shall remove and dispose from CSXT's Property any temporary construction work, any temporary erosion control measures used to control drainage, all machinery, equipment, surplus materials, falsework, rubbish, or temporary buildings belonging to the Department or its Contractor. The Department or its Contractor, upon completion of the Project, shall leave CSXT Property in neat condition, satisfactory to the CSXT Representative.

XV. FAILURE TO COMPLY

If the Department or its Contractor violate or fail to comply with any of the requirements of these Special Provisions, (a) CSXT may require the Department and/or its Contractor to vacate CSXT Property; and (b) CSXT may withhold monies due the Department and/or its Contractor; (c) CSXT may require the Department to withhold monies due its Contractor; and (d) CSXT may cure such failure and the Department shall reimburse CSXT for the cost of curing such failure.

County: WAKE

Line #	Item Number	Sec #	Description	Quantity	Unit Cost	Amount
ROADWAY ITEMS						
0001	0000100000-N	800	MOBILIZATION	Lump Sum	L.S.	
0002	0000400000-N	801	CONSTRUCTION SURVEYING	Lump Sum	L.S.	
0003	0001000000-E	200	CLEARING & GRUBBING .. ACRE(S)	Lump Sum	L.S.	
0004	0008000000-E	200	SUPPLEMENTARY CLEARING & GRUBBING	1 ACR		
0005	0022000000-E	225	UNCLASSIFIED EXCAVATION	1,400 CY		
0006	0036000000-E	225	UNDERCUT EXCAVATION	1,450 CY		
0007	0106000000-E	230	BORROW EXCAVATION	175,000 CY		
0008	0134000000-E	240	DRAINAGE DITCH EXCAVATION	1,474 CY		
0009	0156000000-E	250	REMOVAL OF EXISTING ASPHALT PAVEMENT	1,280 SY		
0010	0177000000-E	250	BREAKING OF EXISTING ASPHALT PAVEMENT	9,500 SY		
0011	0195000000-E	265	SELECT GRANULAR MATERIAL	950 CY		
0012	0196000000-E	270	GEOTEXTILE FOR SOIL STABILIZATION	1,250 SY		
0013	0199000000-E	SP	TEMPORARY SHORING	18,478 SF		
0014	0234000000-E	SP	GENERIC GRADING ITEM HAULING OF EXISTING PAVEMENT	75 CY		
0015	0248000000-N	SP	GENERIC GRADING ITEM TYPE 1 BRIDGE APPROACH FILL, STA 21+77.88 -L- END BENT 2	Lump Sum	L.S.	
0016	0248000000-N	SP	GENERIC GRADING ITEM TYPE 2 BRIDGE APPROACH FILL, STA 20+48.87 -L- END BENT 1	Lump Sum	L.S.	
0017	0255000000-E	SP	GENERIC GRADING ITEM HAULING AND DISPOSAL OF PETROLEUM CONTAMINATED SOIL	50 TON		

County: WAKE

Line #	Item Number	Sec #	Description	Quantity	Unit Cost	Amount
0018	0318000000-E	300	FOUNDATION CONDITIONING MATERIAL, MINOR STRUCTURES	580 TON		
0019	0321000000-E	300	FOUNDATION CONDITIONING GEOTEXTILE	2,830 SY		
0020	0335200000-E	305	15" DRAINAGE PIPE	464 LF		
0021	0335300000-E	305	18" DRAINAGE PIPE	248 LF		
0022	0335400000-E	305	24" DRAINAGE PIPE	72 LF		
0023	0335850000-E	305	*** DRAINAGE PIPE ELBOWS (15")	8 EA		
0024	0335850000-E	305	*** DRAINAGE PIPE ELBOWS (18")	4 EA		
0025	0372000000-E	310	18" RC PIPE CULVERTS, CLASS III	248 LF		
0026	0448200000-E	310	15" RC PIPE CULVERTS, CLASS IV	1,068 LF		
0027	0448300000-E	310	18" RC PIPE CULVERTS, CLASS IV	264 LF		
0028	0448400000-E	310	24" RC PIPE CULVERTS, CLASS IV	428 LF		
0029	0448600000-E	310	36" RC PIPE CULVERTS, CLASS IV	68 LF		
0030	0539000000-E	310	*** POLYPROPYLENE PIPE CULVERTS (15")	460 LF		
0031	0539000000-E	310	*** POLYPROPYLENE PIPE CULVERTS (18")	308 LF		
0032	0973100000-E	330	*** WELDED STEEL PIPE, ***** THICK, GRADE B IN SOIL (36", 0.500")	66 LF		
0033	0973300000-E	330	*** WELDED STEEL PIPE, ***** THICK, GRADE B NOT IN SOIL (36", 0.500")	66 LF		
0034	0986000000-E	SP	GENERIC PIPE ITEM 15" WELDED STEEL PIPE (CONTRACTOR DESIGNED)	148 LF		

County: WAKE

Line #	Item Number	Sec #	Description	Quantity	Unit Cost	Amount
0035	0986000000-E	SP	GENERIC PIPE ITEM 18" WELDED STEEL PIPE (CONTRACTOR DESIGNED)	36 LF		
0036	0986000000-E	SP	GENERIC PIPE ITEM 36" WELDED STEEL PIPE (CONTRACTOR DESIGNED)	168 LF		
0037	0986000000-E	SP	GENERIC PIPE ITEM MASONRY DRAINAGE STRUCTURE (CONTRACTOR DESIGNED)	28.7 LF		
0038	0986000000-E	SP	GENERIC PIPE ITEM SEALED SYSTEM INSPECTION	1,252 LF		
0039	0992000000-E	SP	GENERIC PIPE ITEM MASONRY DRAINAGE STRUCTURE (CONTRACTOR DESIGNED)	12 EA		
0040	0995000000-E	340	PIPE REMOVAL	1,642 LF		
0041	0996000000-N	350	PIPE CLEAN OUT	1 EA		
0042	1011000000-N	500	FINE GRADING	Lump Sum	L.S.	
0043	1099500000-E	505	SHALLOW UNDERCUT	100 CY		
0044	1099700000-E	505	CLASS IV SUBGRADE STABILIZATION	3,360 TON		
0045	1112000000-E	505	GEOTEXTILE FOR SUBGRADE STABILIZATION	7,290 SY		
0046	1121000000-E	520	AGGREGATE BASE COURSE	80 TON		
0047	1220000000-E	545	INCIDENTAL STONE BASE	100 TON		
0048	1275000000-E	600	PRIME COAT	98 GAL		
0049	1297000000-E	607	MILLING ASPHALT PAVEMENT, **** DEPTH (1-1/2")	1,480 SY		
0050	1330000000-E	607	INCIDENTAL MILLING	1,620 SY		

County: WAKE

Line #	Item Number	Sec #	Description	Quantity	Unit Cost	Amount
0051	1491000000-E	610	ASPHALT CONC BASE COURSE, TYPE B25.0C	4,525 TON		
0052	1503000000-E	610	ASPHALT CONC INTERMEDIATE COURSE, TYPE I19.0C	3,525 TON		
0053	1519000000-E	610	ASPHALT CONC SURFACE COURSE, TYPE S9.5B	4,000 TON		
0054	1575000000-E	620	ASPHALT BINDER FOR PLANT MIX	635 TON		
0055	1693000000-E	654	ASPHALT PLANT MIX, PAVEMENT REPAIR	100 TON		
0056	1880000000-E	SP	GENERIC PAVING ITEM ABC(M) CONSTRUCTION	677 TON		
0057	2000000000-N	806	RIGHT-OF-WAY MARKERS	47 EA		
0058	2209000000-E	838	ENDWALLS	6.8 CY		
0059	2275000000-E	SP	FLOWABLE FILL	83 CY		
0060	2286000000-N	840	MASONRY DRAINAGE STRUCTURES	28 EA		
0061	2308000000-E	840	MASONRY DRAINAGE STRUCTURES	11.7 LF		
0062	2364000000-N	840	FRAME WITH TWO GRATES, STD 840.16	9 EA		
0063	2365000000-N	840	FRAME WITH TWO GRATES, STD 840.22	2 EA		
0064	2366000000-N	840	FRAME WITH TWO GRATES, STD 840.24	2 EA		
0065	2374000000-N	840	FRAME WITH GRATE & HOOD, STD 840.03, TYPE ** (E)	2 EA		
0066	2374000000-N	840	FRAME WITH GRATE & HOOD, STD 840.03, TYPE ** (F)	10 EA		
0067	2374000000-N	840	FRAME WITH GRATE & HOOD, STD 840.03, TYPE ** (G)	10 EA		

County: WAKE

Line #	Item Number	Sec #	Description	Quantity	Unit Cost	Amount
0068	2396000000-N	840	FRAME WITH COVER, STD 840.54	5 EA		
0069	2451000000-N	852	CONCRETE TRANSITIONAL SECTION FOR DROP INLET	2 EA		
0070	2549000000-E	846	2'-6" CONCRETE CURB & GUTTER	5,420 LF		
0071	2570000000-N	SP	MODIFIED CONCRETE FLUME	1 EA		
0072	2591000000-E	848	4" CONCRETE SIDEWALK	2,625 SY		
0073	2605000000-N	848	CONCRETE CURB RAMPS	19 EA		
0074	2612000000-E	848	6" CONCRETE DRIVEWAY	65 SY		
0075	2655000000-E	852	5" MONOLITHIC CONCRETE ISLANDS (KEYED IN)	180 SY		
0076	2738000000-E	SP	GENERIC PAVING ITEM REINFORCED CONCRETE BUS PAD	30 SY		
0077	2752000000-E	SP	GENERIC PAVING ITEM PEDESTRIAN SAFETY RAIL	100 LF		
0078	2800000000-N	858	ADJUSTMENT OF CATCH BASINS	2 EA		
0079	2830000000-N	858	ADJUSTMENT OF MANHOLES	2 EA		
0080	2845000000-N	858	ADJUSTMENT OF METER BOXES OR VALVE BOXES	3 EA		
0081	2860000000-N	859	CONVERT EXISTING CATCH BASIN TO JUNCTION BOX	1 EA		
0082	2950000000-N	859	CONVERT EXISTING JUNCTION BOX TO DROP INLET	1 EA		
0083	3030000000-E	862	STEEL BEAM GUARDRAIL	2,625 LF		
0084	3045000000-E	862	STEEL BEAM GUARDRAIL, SHOP CURVED	625 LF		

County: WAKE

Line #	Item Number	Sec #	Description	Quantity	Unit Cost	Amount
0085	3145000000-E	862	EXTRA LENGTH GUARDRAIL POST (** STEEL) (8')	8 EA		
0086	3150000000-N	862	ADDITIONAL GUARDRAIL POSTS	10 EA		
0087	3195000000-N	862	GUARDRAIL END UNITS, TYPE AT-1	1 EA		
0088	3210000000-N	862	GUARDRAIL END UNITS, TYPE CAT-1	3 EA		
0089	3215000000-N	862	GUARDRAIL ANCHOR UNITS, TYPE III	4 EA		
0090	3288000000-N	862	GUARDRAIL END UNITS, TYPE TL-2	8 EA		
0091	3575000000-E	SP	GENERIC FENCING ITEM BLACK VINYL COATED CHAIN LINK FENCE, 48" FABRIC	1,360 LF		
0092	3578000000-N	SP	GENERIC FENCING ITEM BLACK VINYL COATED METAL LINE POSTS, 48" CHAIN LINK FENCE	114 EA		
0093	3578000000-N	SP	GENERIC FENCING ITEM BLACK VINYL COATED METAL TERMINAL POSTS, 48" CHAIN LINK FENCE	14 EA		
0094	3628000000-E	876	RIP RAP, CLASS I	776 TON		
0095	3649000000-E	876	RIP RAP, CLASS B	120 TON		
0096	3656000000-E	876	GEOTEXTILE FOR DRAINAGE	2,529 SY		
0097	4025000000-E	901	CONTRACTOR FURNISHED, TYPE *** SIGN (D)	3.5 SF		
0098	4025000000-E	901	CONTRACTOR FURNISHED, TYPE *** SIGN (E)	130.84 SF		
0099	4072000000-E	903	SUPPORTS, 3-LB STEEL U-CHANNEL	300 LF		
0100	4096000000-N	904	SIGN ERECTION, TYPE D	1 EA		

County: WAKE

Line #	Item Number	Sec #	Description	Quantity	Unit Cost	Amount
0101	4102000000-N	904	SIGN ERECTION, TYPE E	26 EA		
0102	4116100000-N	904	SIGN ERECTION, RELOCATE TYPE **** (GROUND MOUNTED) (E)	2 EA		
0103	4155000000-N	907	DISPOSAL OF SIGN SYSTEM, U- CHANNEL	15 EA		
0104	4192000000-N	907	DISPOSAL OF SUPPORT, U-CHANNEL	2 EA		
0105	4400000000-E	1110	WORK ZONE SIGNS (STATIONARY)	712 SF		
0106	4405000000-E	1110	WORK ZONE SIGNS (PORTABLE)	207 SF		
0107	4410000000-E	1110	WORK ZONE SIGNS (BARRICADE MOUNTED)	271 SF		
0108	4415000000-N	1115	FLASHING ARROW BOARD	2 EA		
0109	4420000000-N	1120	PORTABLE CHANGEABLE MESSAGE SIGN	4 EA		
0110	4430000000-N	1130	DRUMS	110 EA		
0111	4445000000-E	1145	BARRICADES (TYPE III)	344 LF		
0112	4447000000-E	SP	PEDESTRIAN CHANNELIZING DEVICES	32 LF		
0113	4455000000-N	1150	FLAGGER	40 DAY		
0114	4465000000-N	1160	TEMPORARY CRASH CUSHIONS	6 EA		
0115	4480000000-N	1165	TMA	2 EA		
0116	4485000000-E	1170	PORTABLE CONCRETE BARRIER	3,255 LF		
0117	4490000000-E	1170	PORTABLE CONCRETE BARRIER (ANCHORED)	225 LF		

County: WAKE

Line #	Item Number	Sec #	Description	Quantity	Unit Cost	Amount
0118	4510000000-N	1190	LAW ENFORCEMENT	40 HR		
0119	4650000000-N	1251	TEMPORARY RAISED PAVEMENT MARKERS	146 EA		
0120	4685000000-E	1205	THERMOPLASTIC PAVEMENT MARKING LINES (4", 90 MILS)	15,625 LF		
0121	4695000000-E	1205	THERMOPLASTIC PAVEMENT MARKING LINES (8", 90 MILS)	1,050 LF		
0122	4709000000-E	1205	THERMOPLASTIC PAVEMENT MARKING LINES (24", 90 MILS)	550 LF		
0123	4725000000-E	1205	THERMOPLASTIC PAVEMENT MARKING SYMBOL (90 MILS)	39 EA		
0124	4726100000-E	1205	HEATED-IN-PLACE THERMOPLASTIC PAVEMENT MARKING CHARACTER (120 MILS)	6 EA		
0125	4726110000-E	1205	HEATED-IN-PLACE THERMOPLASTIC PAVEMENT MARKING SYMBOL (90 MILS)	33 EA		
0126	4770000000-E	1205	COLD APPLIED PLASTIC PAVEMENT MARKING LINES, TYPE ** (4") (IV)	720 LF		
0127	4810000000-E	1205	PAINT PAVEMENT MARKING LINES (4")	36,991 LF		
0128	4820000000-E	1205	PAINT PAVEMENT MARKING LINES (8")	2,228 LF		
0129	4830000000-E	1205	PAINT PAVEMENT MARKING LINES (16")	84 LF		
0130	4835000000-E	1205	PAINT PAVEMENT MARKING LINES (24")	114 LF		
0131	4840000000-N	1205	PAINT PAVEMENT MARKING CHARACTER	12 EA		
0132	4845000000-N	1205	PAINT PAVEMENT MARKING SYMBOL	16 EA		
0133	4846000000-E	1205	POLYUREA PAVEMENT MARKING LINES (***, *** MILS) (4", 30 MILS)	1,150 LF		

County: WAKE

Line #	Item Number	Sec #	Description	Quantity	Unit Cost	Amount
0134	4850000000-E	1205	REMOVAL OF PAVEMENT MARKING LINES (4")	3,220 LF		
0135	4860000000-E	1205	REMOVAL OF PAVEMENT MARKING LINES (8")	260 LF		
0136	4890000000-E	SP	GENERIC PAVEMENT MARKING ITEM YIELD LINE THERMOPLASTIC PAVEMENT MARKING, 24", 90 MILS	25 LF		
0137	4900000000-N	1251	PERMANENT RAISED PAVEMENT MARKERS	13 EA		
0138	5155000000-E	1409	ELECTRICAL DUCT, TYPE BD, SIZE ***** (2")	2,600 LF		
0139	5326200000-E	1510	12" WATER LINE	843 LF		
0140	5326600000-E	1510	16" WATER LINE	2,146 LF		
0141	5329000000-E	1510	DUCTILE IRON WATER PIPE FITTINGS	16,580 LB		
0142	5540000000-E	1515	6" VALVE	4 EA		
0143	5558000000-E	1515	12" VALVE	5 EA		
0144	5558600000-E	1515	16" VALVE	4 EA		
0145	5562000000-E	1515	*** INSERTION VALVE (12")	1 EA		
0146	5562000000-E	1515	*** INSERTION VALVE (16")	1 EA		
0147	5574000000-E	1515	30" TAPPING SLEEVE & VALVE	1 EA		
0148	5589300000-E	1515	3" AIR RELEASE VALVE	1 EA		
0149	5589400000-E	1515	4" AIR RELEASE VALVE	1 EA		
0150	5643150000-E	1515	1-1/2" WATER METER	1 EA		

County: WAKE

Line #	Item Number	Sec #	Description	Quantity	Unit Cost	Amount
0151	5648000000-N	1515	RELOCATE WATER METER	2 EA		
0152	5649000000-N	1515	RECONNECT WATER METER	3 EA		
0153	5656100000-E	1515	RELOCATE *** RPZ BACKFLOW PREVENTION ASSEMBLY (1-1/2")	1 EA		
0154	5666000000-N	1515	FIRE HYDRANT	4 EA		
0155	5672000000-N	1515	RELOCATE FIRE HYDRANT	1 EA		
0156	5673000000-E	1515	FIRE HYDRANT LEG	45 LF		
0157	5686000000-E	1515	*** WATER SERVICE LINE (1-1/2")	129 LF		
0158	5691300000-E	1520	8" SANITARY GRAVITY SEWER	1,325.91 LF		
0159	5768000000-N	1520	SANITARY SEWER CLEAN-OUT	8 EA		
0160	5768500000-E	1520	SEWER SERVICE LINE	488 LF		
0161	5775000000-E	1525	4' DIA UTILITY MANHOLE	5 EA		
0162	5781000000-E	1525	UTILITY MANHOLE WALL 4' DIA	42.3 LF		
0163	5801000000-E	1530	ABANDON 8" UTILITY PIPE	1,425 LF		
0164	5804000000-E	1530	ABANDON 12" UTILITY PIPE	1,021 LF		
0165	5810000000-E	1530	ABANDON 16" UTILITY PIPE	1,835 LF		
0166	5815000000-N	1530	REMOVE WATER METER	2 EA		
0167	5815500000-N	1530	REMOVE FIRE HYDRANT	5 EA		

County: WAKE

Line #	Item Number	Sec #	Description	Quantity	Unit Cost	Amount
0168	5816000000-N	1530	ABANDON UTILITY MANHOLE	6 EA		
0169	5828000000-N	1530	REMOVE UTILITY MANHOLE	2 EA		
0170	5835700000-E	1540	16" ENCASEMENT PIPE	150 LF		
0171	5836200000-E	1540	30" ENCASEMENT PIPE	437 LF		
0172	5872500000-E	1550	BORE AND JACK OF *** (16")	150 LF		
0173	5872500000-E	1550	BORE AND JACK OF *** (30")	150 LF		
0174	5882000000-N	SP	GENERIC UTILITY ITEM 16" NITRILE GASKETS	14 EA		
0175	5882000000-N	SP	GENERIC UTILITY ITEM 4' DIA UTILITY MANHOLE WITH EXTENDED BASE	3 EA		
0176	5882000000-N	SP	GENERIC UTILITY ITEM 8" SANITARY SEWER MAIN POINT REPAIR	1 EA		
0177	6000000000-E	1605	TEMPORARY SILT FENCE	14,020 LF		
0178	6006000000-E	1610	STONE FOR EROSION CONTROL, CLASS A	300 TON		
0179	6009000000-E	1610	STONE FOR EROSION CONTROL, CLASS B	2,010 TON		
0180	6012000000-E	1610	SEDIMENT CONTROL STONE	1,405 TON		
0181	6015000000-E	1615	TEMPORARY MULCHING	11 ACR		
0182	6018000000-E	1620	SEED FOR TEMPORARY SEEDING	600 LB		
0183	6021000000-E	1620	FERTILIZER FOR TEMPORARY SEEDING	3.5 TON		
0184	6024000000-E	1622	TEMPORARY SLOPE DRAINS	1,110 LF		

County: WAKE

Line #	Item Number	Sec #	Description	Quantity	Unit Cost	Amount
0185	6029000000-E	SP	SAFETY FENCE	240 LF		
0186	6030000000-E	1630	SILT EXCAVATION	5,460 CY		
0187	6036000000-E	1631	MATTING FOR EROSION CONTROL	12,000 SY		
0188	6037000000-E	1629	COIR FIBER MAT	100 SY		
0189	6038000000-E	SP	PERMANENT SOIL REINFORCEMENT MAT	280 SY		
0190	6042000000-E	1632	1/4" HARDWARE CLOTH	3,945 LF		
0191	6043000000-E	1644	LOW PERMEABILITY GEOTEXTILE	300 SY		
0192	6071002000-E	1642	FLOCCULANT	205 LB		
0193	6071012000-E	1642	COIR FIBER WATTLE	1,240 LF		
0194	6071050000-E	1644	*** SKIMMER (1-1/2")	8 EA		
0195	6084000000-E	1660	SEEDING & MULCHING	18 ACR		
0196	6087000000-E	1660	MOWING	15 ACR		
0197	6090000000-E	1661	SEED FOR REPAIR SEEDING	150 LB		
0198	6093000000-E	1661	FERTILIZER FOR REPAIR SEEDING	1.5 TON		
0199	6096000000-E	1662	SEED FOR SUPPLEMENTAL SEEDING	400 LB		
0200	6108000000-E	1665	FERTILIZER TOPDRESSING	11.5 TON		
0201	6114500000-N	1667	SPECIALIZED HAND MOWING	10 MHR		

County: WAKE

Line #	Item Number	Sec #	Description	Quantity	Unit Cost	Amount
0202	6117000000-N	1675	RESPONSE FOR EROSION CONTROL	100 EA		
0203	6117500000-N	SP	CONCRETE WASHOUT STRUCTURE	4 EA		
0204	6132000000-N	SP	GENERIC EROSION CONTROL ITEM FABRIC INSERT INLET PROTECTION CLEANOUT	120 EA		
0205	6132000000-N	SP	GENERIC EROSION CONTROL ITEM FABRIC INSERT INLET PROTECTION, TYPE 1	40 EA		
0206	7048500000-E	1705	PEDESTRIAN SIGNAL HEAD (16", 1 SECTION W/COUNTDOWN)	5 EA		
0207	7060000000-E	1705	SIGNAL CABLE	2,650 LF		
0208	7120000000-E	1705	VEHICLE SIGNAL HEAD (12", 3 SECTION)	1 EA		
0209	7144000000-E	1705	VEHICLE SIGNAL HEAD (12", 5 SECTION)	2 EA		
0210	7229000000-N	SP	APS DETECTOR STATION	10 EA		
0211	7230000000-N	SP	CENTRAL CONTROL UNIT APS DETECTOR STATION	1 EA		
0212	7252000000-E	1710	MESSENGER CABLE (1/4")	2,250 LF		
0213	7279000000-E	1715	TRACER WIRE	25 LF		
0214	7288000000-E	1715	PAVED TRENCHING (***** (1, 2")	100 LF		
0215	7300000000-E	1715	UNPAVED TRENCHING (***** (1, 1")	100 LF		
0216	7300000000-E	1715	UNPAVED TRENCHING (***** (1, 2")	50 LF		
0217	7301000000-E	1715	DIRECTIONAL DRILL (***** (1, 2")	50 LF		
0218	7324000000-N	1716	JUNCTION BOX (STANDARD SIZE)	3 EA		

County: WAKE

Line #	Item Number	Sec #	Description	Quantity	Unit Cost	Amount
0219	7372000000-N	1721	GUY ASSEMBLY	8 EA		
0220	7396000000-E	1722	1/2" RISER WITH WEATHERHEAD	1 EA		
0221	7420000000-E	1722	2" RISER WITH WEATHERHEAD	1 EA		
0222	7444000000-E	1725	INDUCTIVE LOOP SAWCUT	675 LF		
0223	7456100000-E	1726	LEAD-IN CABLE (14-2)	3,375 LF		
0224	7481000000-N	SP	SITE SURVEY	1 EA		
0225	7481240000-N	SP	CAMERA WITHOUT INTERNAL LOOP EMULATOR PROCESSING UNIT	1 EA		
0226	7481260000-N	SP	EXTERNAL LOOP EMULATOR PROCESSING UNIT	1 EA		
0227	7516000000-E	1730	COMMUNICATIONS CABLE (** FIBER) (12)	2,550 LF		
0228	7528000000-E	1730	DROP CABLE	350 LF		
0229	7540000000-N	1731	SPLICE ENCLOSURE	1 EA		
0230	7541000000-N	1731	MODIFY SPLICE ENCLOSURE	1 EA		
0231	7575160000-E	1734	REMOVE EXISTING COMMUNICATIONS CABLE	2,925 LF		
0232	7636000000-N	1745	SIGN FOR SIGNALS	8 EA		
0233	7642200000-N	1743	TYPE II PEDESTAL WITH FOUNDATION	4 EA		
0234	7696000000-N	1751	CONTROLLERS WITH CABINET (*****) (TYPE 2070LX, BASE MOUNTED)	1 EA		
0235	7744000000-N	1751	DETECTOR CARD (TYPE 170)	12 EA		

County: WAKE

Line #	Item Number	Sec #	Description	Quantity	Unit Cost	Amount
0236	7901000000-N	1753	CABINET BASE EXTENDER	1 EA		
0237	7980000000-N	SP	GENERIC SIGNAL ITEM LUMINAIRE ARM FOR TEMPORARY VIDEO SYSTEM	1 EA		
***** BEGIN SCHEDULE AA ***** ***** (5 ALTERNATES) *****						
0238 AA1	4894900000-E	SP	GENERIC PAVEMENT MARKING ITEM 10' INLAID PAVEMENT MARKINGS	214 EA		
*** OR ***						
0239 AA2	4894900000-E	SP	GENERIC PAVEMENT MARKING ITEM 10' RUMBLE SKIPS	214 EA		
*** OR ***						
0240 AA3	4895000000-N	SP	GENERIC PAVEMENT MARKING ITEM INLAID CRADLE MARKERS	214 EA		
*** OR ***						
0241 AA4	4895000000-N	SP	GENERIC PAVEMENT MARKING ITEM INLAID RAISED PAVEMENT MARKERS	214 EA		
*** OR ***						
0242 AA5	4895000000-N	SP	GENERIC PAVEMENT MARKING ITEM POLYCARBONATE H-SHAPED MARKERS	214 EA		
***** END SCHEDULE AA *****						
***** BEGIN SCHEDULE BB ***** ***** (2 ALTERNATES) *****						
0243 BB1	2473000000-N	SP	GENERIC DRAINAGE ITEM RESILENT CONNECTOR	25 EA		
*** OR ***						
0244 BB2	2253000000-E	840	PIPE COLLARS	11 CY		
***** END SCHEDULE BB *****						
WALL ITEMS						
0245	8801000000-E	SP	MSE RETAINING WALL NO **** (W1)	20,070 SF		
0246	8801000000-E	SP	MSE RETAINING WALL NO **** (W2)	21,200 SF		
STRUCTURE ITEMS						
0247	8147000000-E	420	REINFORCED CONCRETE DECK SLAB	10,220 SF		

County: WAKE

Line #	Item Number	Sec #	Description	Quantity	Unit Cost	Amount
0248	8161000000-E	420	GROOVING BRIDGE FLOORS	11,318 SF		
0249	8182000000-E	420	CLASS A CONCRETE (BRIDGE)	147.9 CY		
0250	8210000000-N	422	BRIDGE APPROACH SLABS, STATION ***** (20+97.25 -L-)	Lump Sum	L.S.	
0251	8217000000-E	425	REINFORCING STEEL (BRIDGE)	25,729 LB		
0252	8328200000-E	450	PILE DRIVING EQUIPMENT SETUP FOR *** STEEL PILES (HP 14 X 73)	20 EA		
0253	8384000000-E	450	HP 14 X 73 STEEL PILES	1,700 LF		
0254	8393000000-N	450	PILE REDRIVES	10 EA		
0255	8394000000-N	450	DYNAMIC PILE TESTING	2 EA		
0256	8482000000-E	460	THREE BAR METAL RAIL	229 LF		
0257	8531000000-E	462	4" SLOPE PROTECTION	1,397 SY		
0258	8657000000-N	430	ELASTOMERIC BEARINGS	Lump Sum	L.S.	
0259	8867000000-E	SP	GENERIC STRUCTURE ITEM BRIDGE MOUNTED BLACK VINYL COATED CHAIN LINK FENCE	228.14 LF		
0260	8867000000-E	SP	GENERIC STRUCTURE ITEM MODIFIED 54" PRESTRESSED CONCRETE GIRDERS	1,453 LF		

Vendor 1 of 7: S T WOOTEN CORPORATION (3760)
Call Order 004 (Proposal: C204339)

Bid Information

Proposal County: WAKE	Bid Checksum: E65D752CE3
Vendor Address: P.O. Box 2408 WILSON , NC , 278942408	Bid Total: \$19,633,990.17
Signature Check: Jonathan Karl Bivens	Items Total: \$19,633,990.17
Time Bid Received: October 15, 2024 11:54 AM	Time Total: \$0.00
Amendment Count: 1	

Bidding Errors:
None.

DBE GOAL SET: 4%
DBE GOAL OBT: 10.76%

Vendor 1 of 7: S T WOOTEN CORPORATION (3760)
Call Order 004 (Proposal: C204339)

Bid Bond Information

Projects:	Bond Maximum:
Counties:	State of Incorporation: IL
Bond ID: 1063-3F39-AE34-2F3C	Agency Execution Date: 2024-10-15T00:00:00
Paid by Check: No	Surety Name: Tinubu Surety
Bond Percent: 5%	Bond Agency Name: Fidelity and Deposit Company of Maryland

DBE Load Information

Letting ID: L241015
Letting Date: 10/15/2024
Call Order: 004
Contract ID: C204339

DBE GOAL SET: 4%
DBE GOAL OBT: 10.76%

Project: STATE FUNDEDSTATE FUNDEDSTATE FUNDEDSTATE FUNDED
Bid Total: \$19,633,990.17
DBE Goal: 4.00% (\$785,359.61)

Vendor ID: 3760
Vendor Name: S T Wooten Corp
DBE Entered: 10.76% (\$2,111,785.90)

Vendor ID	DBE Name	Is Supplier?	City/State	Goods/Service	Amount
4880	TRICOR CONSTRUCTION INC	False	1983 CHESNEE HWY SPARTANBURG, SC 29303	SubContractor Committed	2,111,785.90

BondID: 1063-3F39-AE34-2F3C

Surety Registry Agency: Tinubu Surety

Verified?: 1

Surety Agency: Fidelity and Deposit Company of Maryland

Bond Execution Date: 2024-10-15T00:00:00

Line Number	Item Number	Quantity	Unit	Unit Price	Extension Price
Section 0001 ROADWAY ITEMS					
0001	0000100000-N MOBILIZATION	1.000	LS	\$975,000.0000	\$975,000.00
0002	0000400000-N CONSTRUCTION SURVEYING	1.000	LS	\$200,000.0000	\$200,000.00
0003	0001000000-E CLEARING & GRUBBING .. ACRE(S)	1	LS	\$500,000.0000	\$500,000.00
0004	0008000000-E SUPPLEMENTARY CLEARING & GRUBBING	1.000	ACR	\$5,100.0000	\$5,100.00
0005	0022000000-E UNCLASSIFIED EXCAVATION	1400.000	CY	\$40.0000	\$56,000.00
0006	0036000000-E UNDERCUT EXCAVATION	1450.000	CY	\$27.0000	\$39,150.00
0007	0106000000-E BORROW EXCAVATION	175000.000	CY	\$1.0000	\$175,000.00
0008	0134000000-E DRAINAGE DITCH EXCAVATION	1474.000	CY	\$20.0000	\$29,480.00
0009	0156000000-E REMOVAL OF EXISTING ASPHALT PAVEMENT	1280.000	SY	\$4.5000	\$5,760.00
0010	0177000000-E BREAKING OF EXISTING ASPHALT PAVEMENT	9500.000	SY	\$2.2500	\$21,375.00
0011	0195000000-E SELECT GRANULAR MATERIAL	950.000	CY	\$50.0000	\$47,500.00
0012	0196000000-E GEOTEXTILE FOR SOIL STABILIZATION	1250.000	SY	\$3.0000	\$3,750.00
0013	0199000000-E TEMPORARY SHORING	18478.000	SF	\$27.5000	\$508,145.00
0014	0234000000-E GENERIC GRADING ITEM HAULING OF EXISTING PAVEMENT	75.000	CY	\$10.5000	\$787.50
0015	0248000000-N GENERIC GRADING ITEM TYPE 1 BRIDGE APPROACH FILL, STA 21+77.88 -L- END BENT 2	1.000	LS	\$85,000.0000	\$85,000.00
0016	0248000000-N GENERIC GRADING ITEM TYPE 2 BRIDGE APPROACH FILL, STA 20+48.87 -L- END BENT 1	1.000	LS	\$25,000.0000	\$25,000.00
0017	0255000000-E GENERIC GRADING ITEM HAULING AND DISPOSAL OF PETROLEUM CONTAMINATED SOIL	50.000	TON	\$200.0000	\$10,000.00
0018	0318000000-E FOUNDATION CONDITIONING MATERIAL, MINOR STRUCTURES	580.000	TON	\$36.0000	\$20,880.00
0019	0321000000-E FOUNDATION CONDITIONING GEOTEXTILE	2830.000	SY	\$3.0000	\$8,490.00
0020	0335200000-E 15" DRAINAGE PIPE	464.000	LF	\$77.0000	\$35,728.00
0021	0335300000-E 18" DRAINAGE PIPE	248.000	LF	\$89.0000	\$22,072.00
0022	0335400000-E 24" DRAINAGE PIPE	72.000	LF	\$133.0000	\$9,576.00
0023	0335850000-E **" DRAINAGE PIPE ELBOWS (15")	8.000	EA	\$725.0000	\$5,800.00

0024	0335850000-E	4.000 EA	\$595.0000	\$2,380.00
	*** DRAINAGE PIPE ELBOWS (18")			
0025	0372000000-E	248.000 LF	\$86.0000	\$21,328.00
	18" RC PIPE CULVERTS, CLASS III			
0026	0448200000-E	1068.000 LF	\$79.0000	\$84,372.00
	15" RC PIPE CULVERTS, CLASS IV			
0027	0448300000-E	264.000 LF	\$95.0000	\$25,080.00
	18" RC PIPE CULVERTS, CLASS IV			
0028	0448400000-E	428.000 LF	\$135.0000	\$57,780.00
	24" RC PIPE CULVERTS, CLASS IV			
0029	0448600000-E	68.000 LF	\$211.0000	\$14,348.00
	36" RC PIPE CULVERTS, CLASS IV			
0030	0539000000-E	460.000 LF	\$78.0000	\$35,880.00
	*** POLYPROPYLENE PIPE CULVERTS (15")			
0031	0539000000-E	308.000 LF	\$100.0000	\$30,800.00
	*** POLYPROPYLENE PIPE CULVERTS (18")			
0032	0973100000-E	66.000 LF	\$1,040.0000	\$68,640.00
	*** WELDED STEEL PIPE, ***** THICK, GRADE B IN SOIL (36", 0.500")			
0033	0973300000-E	66.000 LF	\$1,880.0000	\$124,080.00
	*** WELDED STEEL PIPE, ***** THICK, GRADE B NOT IN SOIL (36", 0.500")			
0034	0986000000-E	148.000 LF	\$203.0000	\$30,044.00
	GENERIC PIPE ITEM 15" WELDED STEEL PIPE (CONTRACTOR DESIGNED)			
0035	0986000000-E	36.000 LF	\$250.0000	\$9,000.00
	GENERIC PIPE ITEM 18" WELDED STEEL PIPE (CONTRACTOR DESIGNED)			
0036	0986000000-E	168.000 LF	\$450.0000	\$75,600.00
	GENERIC PIPE ITEM 36" WELDED STEEL PIPE (CONTRACTOR DESIGNED)			
0037	0986000000-E	28.700 LF	\$900.0000	\$25,830.00
	GENERIC PIPE ITEM MASONRY DRAINAGE STRUCTURE (CONTRACTOR DESIGNED)			
0038	0986000000-E	1252.000 LF	\$5.0000	\$6,260.00
	GENERIC PIPE ITEM SEALED SYSTEM INSPECTION			
0039	0992000000-E	12.000 EA	\$4,850.0000	\$58,200.00
	GENERIC PIPE ITEM MASONRY DRAINAGE STRUCTURE (CONTRACTOR DESIGNED)			
0040	0995000000-E	1642.000 LF	\$19.0000	\$31,198.00
	PIPE REMOVAL			
0041	0996000000-N	1.000 EA	\$3,750.0000	\$3,750.00
	PIPE CLEAN OUT			
0042	1011000000-N	1.000 LS	\$3,130,000.0000	\$3,130,000.00
	FINE GRADING			
0043	1099500000-E	100.000 CY	\$37.0000	\$3,700.00
	SHALLOW UNDERCUT			
0044	1099700000-E	3360.000 TON	\$30.0000	\$100,800.00
	CLASS IV SUBGRADE STABILIZATION			
0045	1112000000-E	7290.000 SY	\$3.0000	\$21,870.00
	GEOTEXTILE FOR SUBGRADE STABILIZATION			
0046	1121000000-E	80.000 TON	\$60.0000	\$4,800.00
	AGGREGATE BASE COURSE			
0047	1220000000-E	100.000 TON	\$60.0000	\$6,000.00
	INCIDENTAL STONE BASE			
0048	1275000000-E	98.000 GAL	\$5.5000	\$539.00

PRIME COAT

0049	1297000000-E	2040.000 SY	\$6.0000	\$12,240.00
	MILLING ASPHALT PAVEMENT, ***" DEPTH (1-1/2")			
0050	1330000000-E	1060.000 SY	\$6.0000	\$6,360.00
	INCIDENTAL MILLING			
0051	1491000000-E	4525.000 TON	\$135.0000	\$610,875.00
	ASPHALT CONC BASE COURSE, TYPE B25.0C			
0052	1503000000-E	3525.000 TON	\$135.0000	\$475,875.00
	ASPHALT CONC INTERMEDIATE COURSE, TYPE I19.0C			
0053	1519000000-E	4000.000 TON	\$160.0000	\$640,000.00
	ASPHALT CONC SURFACE COURSE, TYPE S9.5B			
0054	1575000000-E	635.000 TON	\$600.0000	\$381,000.00
	ASPHALT BINDER FOR PLANT MIX			
0055	1693000000-E	100.000 TON	\$220.0000	\$22,000.00
	ASPHALT PLANT MIX, PAVEMENT REPAIR			
0056	1880000000-E	208.000 TON	\$35.0000	\$7,280.00
	GENERIC PAVING ITEM ABC(M) CONSTRUCTION			
0057	2000000000-N	47.000 EA	\$400.0000	\$18,800.00
	RIGHT-OF-WAY MARKERS			
0058	2209000000-E	6.800 CY	\$2,850.0000	\$19,380.00
	ENDWALLS			
0059	2275000000-E	83.000 CY	\$340.0000	\$28,220.00
	FLOWABLE FILL			
0060	2286000000-N	28.000 EA	\$2,355.0000	\$65,940.00
	MASONRY DRAINAGE STRUCTURES			
0061	2308000000-E	11.700 LF	\$716.0000	\$8,377.20
	MASONRY DRAINAGE STRUCTURES			
0062	2364000000-N	9.000 EA	\$922.0000	\$8,298.00
	FRAME WITH TWO GRATES, STD 840.16			
0063	2365000000-N	2.000 EA	\$810.0000	\$1,620.00
	FRAME WITH TWO GRATES, STD 840.22			
0064	2366000000-N	2.000 EA	\$800.0000	\$1,600.00
	FRAME WITH TWO GRATES, STD 840.24			
0065	2374000000-N	2.000 EA	\$1,290.0000	\$2,580.00
	FRAME WITH GRATE & HOOD, STD 840.03, TYPE ** (E)			
0066	2374000000-N	10.000 EA	\$1,330.0000	\$13,300.00
	FRAME WITH GRATE & HOOD, STD 840.03, TYPE ** (F)			
0067	2374000000-N	10.000 EA	\$1,330.0000	\$13,300.00
	FRAME WITH GRATE & HOOD, STD 840.03, TYPE ** (G)			
0068	2396000000-N	5.000 EA	\$700.0000	\$3,500.00
	FRAME WITH COVER, STD 840.54			
0069	2451000000-N	2.000 EA	\$920.0000	\$1,840.00
	CONCRETE TRANSITIONAL SECTION FOR DROP INLET			
0070	2549000000-E	5420.000 LF	\$27.0000	\$146,340.00
	2'-6" CONCRETE CURB & GUTTER			
0071	2570000000-N	1.000 EA	\$4,100.0000	\$4,100.00
	MODIFIED CONCRETE FLUME			
0072	2591000000-E	2625.000 SY	\$44.0000	\$115,500.00
	4" CONCRETE SIDEWALK			

0073	2605000000-N	19.000 EA	\$2,775.0000	\$52,725.00
	CONCRETE CURB RAMPS			
0074	2612000000-E	65.000 SY	\$94.0000	\$6,110.00
	6" CONCRETE DRIVEWAY			
0075	2655000000-E	180.000 SY	\$85.0000	\$15,300.00
	5" MONOLITHIC CONCRETE ISLANDS (KEYED IN)			
0076	2738000000-E	30.000 SY	\$181.0000	\$5,430.00
	GENERIC PAVING ITEM REINFORCED CONCRETE BUS PAD			
0077	2752000000-E	100.000 LF	\$259.0000	\$25,900.00
	GENERIC PAVING ITEM PEDESTRIAN SAFETY RAIL			
0078	2800000000-N	2.000 EA	\$1,780.0000	\$3,560.00
	ADJUSTMENT OF CATCH BASINS			
0079	2830000000-N	2.000 EA	\$1,780.0000	\$3,560.00
	ADJUSTMENT OF MANHOLES			
0080	2845000000-N	3.000 EA	\$1,780.0000	\$5,340.00
	ADJUSTMENT OF METER BOXES OR VALVE BOXES			
0081	2860000000-N	1.000 EA	\$1,780.0000	\$1,780.00
	CONVERT EXISTING CATCH BASIN TO JUNCTION BOX			
0082	2950000000-N	1.000 EA	\$1,780.0000	\$1,780.00
	CONVERT EXISTING JUNCTION BOX TO DROP INLET			
0083	3030000000-E	2625.000 LF	\$22.0000	\$57,750.00
	STEEL BEAM GUARDRAIL			
0084	3045000000-E	625.000 LF	\$23.0000	\$14,375.00
	STEEL BEAM GUARDRAIL, SHOP CURVED			
0085	3145000000-E	8.000 EA	\$80.0000	\$640.00
	EXTRA LENGTH GUARDRAIL POST (**' STEEL) (8')			
0086	3150000000-N	10.000 EA	\$40.0000	\$400.00
	ADDITIONAL GUARDRAIL POSTS			
0087	3195000000-N	1.000 EA	\$850.0000	\$850.00
	GUARDRAIL END UNITS, TYPE AT-1			
0088	3210000000-N	3.000 EA	\$950.0000	\$2,850.00
	GUARDRAIL END UNITS, TYPE CAT-1			
0089	3215000000-N	4.000 EA	\$2,400.0000	\$9,600.00
	GUARDRAIL ANCHOR UNITS, TYPE III			
0090	3288000000-N	8.000 EA	\$3,300.0000	\$26,400.00
	GUARDRAIL END UNITS, TYPE TL-2			
0091	3575000000-E	1360.000 LF	\$22.5000	\$30,600.00
	GENERIC FENCING ITEM BLACK VINYL COATED CHAIN LINK FENCE, 48" FABRIC			
0092	3578000000-N	114.000 EA	\$88.0000	\$10,032.00
	GENERIC FENCING ITEM BLACK VINYL COATED METAL LINE POSTS, 48" CHAIN LINK FENCE			
0093	3578000000-N	14.000 EA	\$200.0000	\$2,800.00
	GENERIC FENCING ITEM BLACK VINYL COATED METAL TERMINAL POSTS, 48" CHAIN LINK FENCE			
0094	3628000000-E	776.000 TON	\$72.0000	\$55,872.00
	RIP RAP, CLASS I			
0095	3649000000-E	120.000 TON	\$69.0000	\$8,280.00
	RIP RAP, CLASS B			
0096	3656000000-E	2529.000 SY	\$3.0000	\$7,587.00
	GEOTEXTILE FOR DRAINAGE			

0097	4025000000-E	3.500 SF	\$20.5000	\$71.75
	CONTRACTOR FURNISHED, TYPE *** SIGN (D)			
0098	4025000000-E	130.840 SF	\$20.0000	\$2,616.80
	CONTRACTOR FURNISHED, TYPE *** SIGN (E)			
0099	4072000000-E	300.000 LF	\$6.6000	\$1,980.00
	SUPPORTS, 3-LB STEEL U-CHANNEL			
0100	4096000000-N	1.000 EA	\$317.0000	\$317.00
	SIGN ERECTION, TYPE D			
0101	4102000000-N	26.000 EA	\$220.0000	\$5,720.00
	SIGN ERECTION, TYPE E			
0102	4116100000-N	2.000 EA	\$220.0000	\$440.00
	SIGN ERECTION, RELOCATE TYPE **** (GROUND MOUNTED) (E)			
0103	4155000000-N	15.000 EA	\$11.0000	\$165.00
	DISPOSAL OF SIGN SYSTEM, U-CHANNEL			
0104	4192000000-N	2.000 EA	\$11.0000	\$22.00
	DISPOSAL OF SUPPORT, U-CHANNEL			
0105	4400000000-E	712.000 SF	\$7.0000	\$4,984.00
	WORK ZONE SIGNS (STATIONARY)			
0106	4405000000-E	207.000 SF	\$63.0000	\$13,041.00
	WORK ZONE SIGNS (PORTABLE)			
0107	4410000000-E	271.000 SF	\$10.0000	\$2,710.00
	WORK ZONE SIGNS (BARRICADE MOUNTED)			
0108	4415000000-N	2.000 EA	\$3,680.0000	\$7,360.00
	FLASHING ARROW BOARD			
0109	4420000000-N	4.000 EA	\$7,900.0000	\$31,600.00
	PORTABLE CHANGEABLE MESSAGE SIGN			
0110	4430000000-N	110.000 EA	\$98.0000	\$10,780.00
	DRUMS			
0111	4445000000-E	344.000 LF	\$21.0000	\$7,224.00
	BARRICADES (TYPE III)			
0112	4447000000-E	32.000 LF	\$39.2500	\$1,256.00
	PEDESTRIAN CHANNELIZING DEVICES			
0113	4455000000-N	40.000 DAY	\$464.0000	\$18,560.00
	FLAGGER			
0114	4465000000-N	6.000 EA	\$12,500.0000	\$75,000.00
	TEMPORARY CRASH CUSHIONS			
0115	4480000000-N	2.000 EA	\$9,520.0000	\$19,040.00
	TMA			
0116	4485000000-E	3255.000 LF	\$45.0000	\$146,475.00
	PORTABLE CONCRETE BARRIER			
0117	4490000000-E	225.000 LF	\$184.0000	\$41,400.00
	PORTABLE CONCRETE BARRIER (ANCHORED)			
0118	4510000000-N	40.000 HR	\$113.0000	\$4,520.00
	LAW ENFORCEMENT			
0119	4650000000-N	146.000 EA	\$10.0000	\$1,460.00
	TEMPORARY RAISED PAVEMENT MARKERS			
0120	4685000000-E	15625.000 LF	\$0.9900	\$15,468.75
	THERMOPLASTIC PAVEMENT MARKING LINES (4", 90 MILS)			
0121	4695000000-E	1050.000 LF	\$2.5000	\$2,625.00

THERMOPLASTIC PAVEMENT MARKING LINES (8", 90 MILS)				
0122	4709000000-E	550.000	LF	\$12.0000 \$6,600.00
THERMOPLASTIC PAVEMENT MARKING LINES (24", 90 MILS)				
0123	4725000000-E	39.000	EA	\$150.0000 \$5,850.00
THERMOPLASTIC PAVEMENT MARKING SYMBOL (90 MILS)				
0124	4726100000-E	6.000	EA	\$170.0000 \$1,020.00
HEATED-IN-PLACE THERMOPLASTIC PAVEMENT MARKING CHARACTER (120 MILS)				
0125	4726110000-E	33.000	EA	\$285.0000 \$9,405.00
HEATED-IN-PLACE THERMOPLASTIC PAVEMENT MARKING SYMBOL (90 MILS)				
0126	4770000000-E	720.000	LF	\$2.5000 \$1,800.00
COLD APPLIED PLASTIC PAVEMENT MARKING LINES, TYPE ** (4") (IV)				
0127	4810000000-E	36991.000	LF	\$0.2500 \$9,247.75
PAINT PAVEMENT MARKING LINES (4")				
0128	4820000000-E	2228.000	LF	\$0.7500 \$1,671.00
PAINT PAVEMENT MARKING LINES (8")				
0129	4830000000-E	84.000	LF	\$6.0000 \$504.00
PAINT PAVEMENT MARKING LINES (16")				
0130	4835000000-E	114.000	LF	\$6.0000 \$684.00
PAINT PAVEMENT MARKING LINES (24")				
0131	4840000000-N	12.000	EA	\$50.0000 \$600.00
PAINT PAVEMENT MARKING CHARACTER				
0132	4845000000-N	16.000	EA	\$50.0000 \$800.00
PAINT PAVEMENT MARKING SYMBOL				
0133	4846000000-E	1150.000	LF	\$3.0000 \$3,450.00
POLYUREA PAVEMENT MARKING LINES (**", *** MILS) (4", 30 MILS)				
0134	4850000000-E	3220.000	LF	\$1.7500 \$5,635.00
REMOVAL OF PAVEMENT MARKING LINES (4")				
0135	4860000000-E	260.000	LF	\$3.5000 \$910.00
REMOVAL OF PAVEMENT MARKING LINES (8")				
0136	4890000000-E	25.000	LF	\$20.0000 \$500.00
GENERIC PAVEMENT MARKING ITEM YIELD LINE THERMOPLASTIC PAVEMENT MARKING, 24", 90 MILS				
0137	4900000000-N	13.000	EA	\$10.0000 \$130.00
PERMANENT RAISED PAVEMENT MARKERS				
0138	5155000000-E	2600.000	LF	\$7.7500 \$20,150.00
ELECTRICAL DUCT, TYPE BD, SIZE ***** (2")				
0139	5326200000-E	843.000	LF	\$128.0000 \$107,904.00
12" WATER LINE				
0140	5326600000-E	2146.000	LF	\$162.0000 \$347,652.00
16" WATER LINE				
0141	5329000000-E	16580.000	LB	\$12.0000 \$198,960.00
DUCTILE IRON WATER PIPE FITTINGS				
0142	5540000000-E	4.000	EA	\$1,950.0000 \$7,800.00
6" VALVE				
0143	5558000000-E	5.000	EA	\$5,550.0000 \$27,750.00
12" VALVE				
0144	5558600000-E	4.000	EA	\$20,100.0000 \$80,400.00
16" VALVE				
0145	5562000000-E	1.000	EA	\$38,000.0000 \$38,000.00

*** INSERTION VALVE (12")					
0146	5562000000-E	1.000	EA	\$54,300.0000	\$54,300.00
*** INSERTION VALVE (16")					
0147	5574000000-E	1.000	EA	\$28,750.0000	\$28,750.00
30" TAPPING SLEEVE & VALVE					
0148	5589300000-E	1.000	EA	\$22,675.0000	\$22,675.00
3" AIR RELEASE VALVE					
0149	5589400000-E	1.000	EA	\$25,500.0000	\$25,500.00
4" AIR RELEASE VALVE					
0150	5643150000-E	1.000	EA	\$15,250.0000	\$15,250.00
1-1/2" WATER METER					
0151	5648000000-N	2.000	EA	\$900.0000	\$1,800.00
RELOCATE WATER METER					
0152	5649000000-N	3.000	EA	\$1,730.0000	\$5,190.00
RECONNECT WATER METER					
0153	5656100000-E	1.000	EA	\$7,360.0000	\$7,360.00
RELOCATE *** RPZ BACKFLOW PREVENTION ASSEMBLY (1-1/2")					
0154	5666000000-N	4.000	EA	\$5,955.0000	\$23,820.00
FIRE HYDRANT					
0155	5672000000-N	1.000	EA	\$1,525.0000	\$1,525.00
RELOCATE FIRE HYDRANT					
0156	5673000000-E	45.000	LF	\$189.0000	\$8,505.00
FIRE HYDRANT LEG					
0157	5686000000-E	129.000	LF	\$71.0000	\$9,159.00
*** WATER SERVICE LINE (1-1/2")					
0158	5691300000-E	1325.910	LF	\$184.0000	\$243,967.44
8" SANITARY GRAVITY SEWER					
0159	5768000000-N	8.000	EA	\$1,142.0000	\$9,136.00
SANITARY SEWER CLEAN-OUT					
0160	5768500000-E	488.000	LF	\$54.0000	\$26,352.00
SEWER SERVICE LINE					
0161	5775000000-E	5.000	EA	\$5,350.0000	\$26,750.00
4' DIA UTILITY MANHOLE					
0162	5781000000-E	42.300	LF	\$500.0000	\$21,150.00
UTILITY MANHOLE WALL 4' DIA					
0163	5801000000-E	1425.000	LF	\$10.0000	\$14,250.00
ABANDON 8" UTILITY PIPE					
0164	5804000000-E	1021.000	LF	\$13.5000	\$13,783.50
ABANDON 12" UTILITY PIPE					
0165	5810000000-E	1835.000	LF	\$14.7500	\$27,066.25
ABANDON 16" UTILITY PIPE					
0166	5815000000-N	2.000	EA	\$600.0000	\$1,200.00
REMOVE WATER METER					
0167	5815500000-N	5.000	EA	\$900.0000	\$4,500.00
REMOVE FIRE HYDRANT					
0168	5816000000-N	6.000	EA	\$1,065.0000	\$6,390.00
ABANDON UTILITY MANHOLE					
0169	5828000000-N	2.000	EA	\$600.0000	\$1,200.00
REMOVE UTILITY MANHOLE					

0170	5835700000-E	150.000	LF	\$161.0000	\$24,150.00
	16" ENCASEMENT PIPE				
0171	5836200000-E	437.000	LF	\$371.0000	\$162,127.00
	30" ENCASEMENT PIPE				
0172	5872500000-E	150.000	LF	\$845.5000	\$126,825.00
	BORE AND JACK OF *** (16")				
0173	5872500000-E	150.000	LF	\$632.5000	\$94,875.00
	BORE AND JACK OF *** (30")				
0174	5882000000-N	14.000	EA	\$1,560.0000	\$21,840.00
	GENERIC UTILITY ITEM 16" NITRILE GASKETS				
0175	5882000000-N	3.000	EA	\$6,155.0000	\$18,465.00
	GENERIC UTILITY ITEM 4' DIA UTILITY MANHOLE WITH EXTENDED BASE				
0176	5882000000-N	1.000	EA	\$18,275.0000	\$18,275.00
	GENERIC UTILITY ITEM 8" SANITARY SEWER MAIN POINT REPAIR				
0177	6000000000-E	14020.000	LF	\$2.8000	\$39,256.00
	TEMPORARY SILT FENCE				
0178	6006000000-E	300.000	TON	\$30.0000	\$9,000.00
	STONE FOR EROSION CONTROL, CLASS A				
0179	6009000000-E	2010.000	TON	\$31.0000	\$62,310.00
	STONE FOR EROSION CONTROL, CLASS B				
0180	6012000000-E	1405.000	TON	\$25.0000	\$35,125.00
	SEDIMENT CONTROL STONE				
0181	6015000000-E	11.000	ACR	\$1,800.0000	\$19,800.00
	TEMPORARY MULCHING				
0182	6018000000-E	600.000	LB	\$1.0000	\$600.00
	SEED FOR TEMPORARY SEEDING				
0183	6021000000-E	3.500	TON	\$800.0000	\$2,800.00
	FERTILIZER FOR TEMPORARY SEEDING				
0184	6024000000-E	1110.000	LF	\$10.0000	\$11,100.00
	TEMPORARY SLOPE DRAINS				
0185	6029000000-E	240.000	LF	\$4.0000	\$960.00
	SAFETY FENCE				
0186	6030000000-E	5460.000	CY	\$5.0000	\$27,300.00
	SILT EXCAVATION				
0187	6036000000-E	12000.000	SY	\$1.5500	\$18,600.00
	MATTING FOR EROSION CONTROL				
0188	6037000000-E	100.000	SY	\$8.0000	\$800.00
	COIR FIBER MAT				
0189	6038000000-E	280.000	SY	\$8.0000	\$2,240.00
	PERMANENT SOIL REINFORCEMENT MAT				
0190	6042000000-E	3945.000	LF	\$4.0000	\$15,780.00
	1/4" HARDWARE CLOTH				
0191	6043000000-E	300.000	SY	\$5.6700	\$1,701.00
	LOW PERMEABILITY GEOTEXTILE				
0192	6071002000-E	205.000	LB	\$1.0000	\$205.00
	FLOCCULANT				
0193	6071012000-E	1240.000	LF	\$4.5000	\$5,580.00
	COIR FIBER WATTLE				
0194	6071050000-E	8.000	EA	\$3,800.0000	\$30,400.00

**" SKIMMER (1-1/2")

0195	6084000000-E	18.000	ACR	\$500.0000	\$9,000.00
	SEEDING & MULCHING				
0196	6087000000-E	15.000	ACR	\$240.0000	\$3,600.00
	MOWING				
0197	6090000000-E	150.000	LB	\$4.0000	\$600.00
	SEED FOR REPAIR SEEDING				
0198	6093000000-E	1.500	TON	\$1,200.0000	\$1,800.00
	FERTILIZER FOR REPAIR SEEDING				
0199	6096000000-E	400.000	LB	\$4.0000	\$1,600.00
	SEED FOR SUPPLEMENTAL SEEDING				
0200	6108000000-E	11.500	TON	\$950.0000	\$10,925.00
	FERTILIZER TOPDRESSING				
0201	6114500000-N	10.000	MHR	\$180.0000	\$1,800.00
	SPECIALIZED HAND MOWING				
0202	6117000000-N	100.000	EA	\$10.0000	\$1,000.00
	RESPONSE FOR EROSION CONTROL				
0203	6117500000-N	4.000	EA	\$1,500.0000	\$6,000.00
	CONCRETE WASHOUT STRUCTURE				
0204	6132000000-N	120.000	EA	\$100.0000	\$12,000.00
	GENERIC EROSION CONTROL ITEM FABRIC INSERT INLET PROTECTION CLEANOUT				
0205	6132000000-N	40.000	EA	\$210.0000	\$8,400.00
	GENERIC EROSION CONTROL ITEM FABRIC INSERT INLET PROTECTION, TYPE 1				
0206	7048500000-E	5.000	EA	\$1,700.0000	\$8,500.00
	PEDESTRIAN SIGNAL HEAD (16", 1 SECTION W/COUNTDOWN)				
0207	7060000000-E	2650.000	LF	\$6.5000	\$17,225.00
	SIGNAL CABLE				
0208	7120000000-E	1.000	EA	\$1,750.0000	\$1,750.00
	VEHICLE SIGNAL HEAD (12", 3 SECTION)				
0209	7144000000-E	2.000	EA	\$1,900.0000	\$3,800.00
	VEHICLE SIGNAL HEAD (12", 5 SECTION)				
0210	7229000000-N	10.000	EA	\$1,850.0000	\$18,500.00
	APS DETECTOR STATION				
0211	7230000000-N	1.000	EA	\$4,500.0000	\$4,500.00
	CENTRAL CONTROL UNIT APS DETECTOR STATION				
0212	7252000000-E	2250.000	LF	\$4.0000	\$9,000.00
	MESSENGER CABLE (1/4")				
0213	7279000000-E	25.000	LF	\$2.5000	\$62.50
	TRACER WIRE				
0214	7288000000-E	100.000	LF	\$35.0000	\$3,500.00
	PAVED TRENCHING (***** (1, 2"))				
0215	7300000000-E	100.000	LF	\$25.0000	\$2,500.00
	UNPAVED TRENCHING (***** (1, 1"))				
0216	7300000000-E	50.000	LF	\$75.0000	\$3,750.00
	UNPAVED TRENCHING (***** (1, 2"))				
0217	7301000000-E	50.000	LF	\$175.0000	\$8,750.00
	DIRECTIONAL DRILL (***** (1, 2"))				
0218	7324000000-N	3.000	EA	\$925.0000	\$2,775.00
	JUNCTION BOX (STANDARD SIZE)				

0219	7372000000-N	8.000	EA	\$1,250.0000	\$10,000.00
	GUY ASSEMBLY				
0220	7396000000-E	1.000	EA	\$710.0000	\$710.00
	1/2" RISER WITH WEATHERHEAD				
0221	7420000000-E	1.000	EA	\$1,125.0000	\$1,125.00
	2" RISER WITH WEATHERHEAD				
0222	7444000000-E	675.000	LF	\$14.5000	\$9,787.50
	INDUCTIVE LOOP SAWCUT				
0223	7456100000-E	3375.000	LF	\$3.5000	\$11,812.50
	LEAD-IN CABLE (14-2)				
0224	7481000000-N	1.000	EA	\$5,000.0000	\$5,000.00
	SITE SURVEY				
0225	7481240000-N	1.000	EA	\$7,500.0000	\$7,500.00
	CAMERA WITHOUT INTERNAL LOOP EMULATOR PROCESSING UNIT				
0226	7481260000-N	1.000	EA	\$7,500.0000	\$7,500.00
	EXTERNAL LOOP EMULATOR PROCESSING UNIT				
0227	7516000000-E	2550.000	LF	\$5.2500	\$13,387.50
	COMMUNICATIONS CABLE (** FIBER) (12)				
0228	7528000000-E	350.000	LF	\$5.2500	\$1,837.50
	DROP CABLE				
0229	7540000000-N	1.000	EA	\$4,525.0000	\$4,525.00
	SPLICE ENCLOSURE				
0230	7541000000-N	1.000	EA	\$3,225.0000	\$3,225.00
	MODIFY SPLICE ENCLOSURE				
0231	7575160000-E	2925.000	LF	\$3.0000	\$8,775.00
	REMOVE EXISTING COMMUNICATIONS CABLE				
0232	7636000000-N	8.000	EA	\$875.0000	\$7,000.00
	SIGN FOR SIGNALS				
0233	7642200000-N	4.000	EA	\$6,000.0000	\$24,000.00
	TYPE II PEDESTAL WITH FOUNDATION				
0234	7696000000-N	1.000	EA	\$27,500.0000	\$27,500.00
	CONTROLLERS WITH CABINET (*****)(TYPE 2070LX, BASE MOUNTED)				
0235	7744000000-N	12.000	EA	\$350.0000	\$4,200.00
	DETECTOR CARD (TYPE 170)				
0236	7901000000-N	1.000	EA	\$800.0000	\$800.00
	CABINET BASE EXTENDER				
0237	7980000000-N	1.000	EA	\$1,200.0000	\$1,200.00
	GENERIC SIGNAL ITEM LUMINAIRE ARM FOR TEMPORARY VIDEO SYSTEM				
0238	4894900000-E	214.000	EA		
AA1	GENERIC PAVEMENT MARKING ITEM 10' INLAID PAVEMENT MARKINGS				
0239	4894900000-E	214.000	EA		
AA2	GENERIC PAVEMENT MARKING ITEM 10' RUMBLE SKIPS				
0240	4895000000-N	214.000	EA		
AA3	GENERIC PAVEMENT MARKING ITEM INLAID CRADLE MARKERS				
0241	4895000000-N	214.000	EA		
AA4	GENERIC PAVEMENT MARKING ITEM INLAID RAISED PAVEMENT MARKERS				
0242	4895000000-N	214.000	EA	\$59.0000	\$12,626.00
AA5	GENERIC PAVEMENT MARKING ITEM POLYCARBONATE H-SHAPED MARKERS				
0243	2473000000-N	25.000	EA	\$771.1200	\$19,278.00

BB1	GENERIC DRAINAGE ITEM RESILENT CONNECTOR			
0244	2253000000-E	11.000	CY	
BB2	PIPE COLLARS			
0261	2847000000-N	1.000	EA	\$3,561.4900
	RECONSTRUCT MANHOLE STRUCTURES			
0262	5882000000-N	24.000	EA	\$444.7000
	GENERIC UTILITY ITEM 8" NITRILE GASKETS			
0263	5882000000-N	8.000	EA	\$678.9000
	GENERIC UTILITY ITEM NITRILE MANHOLE TO PIPE CONNECTORS			
Section 0001 Total				\$12,704,462.93
Section 0003				
WALL ITEMS				
0245	8801000000-E	20070.000	SF	\$120.0000
	MSE RETAINING WALL NO **** (W1)			
0246	8801000000-E	21200.000	SF	\$108.0000
	MSE RETAINING WALL NO **** (W2)			
Section 0003 Total				\$4,698,000.00
Section 0004				
STRUCTURE ITEMS				
0247	8147000000-E	10220.000	SF	\$72.0000
	REINFORCED CONCRETE DECK SLAB			
0248	8161000000-E	11318.000	SF	\$1.1000
	GROOVING BRIDGE FLOORS			
0249	8182000000-E	147.900	CY	\$1,200.0000
	CLASS A CONCRETE (BRIDGE)			
0250	8210000000-N	1.000	LS	\$150,000.0000
	BRIDGE APPROACH SLABS, STATION ***** (20+97.25 -L-)			
0251	8217000000-E	25729.000	LB	\$2.0000
	REINFORCING STEEL (BRIDGE)			
0252	8328200000-E	20.000	EA	\$2,500.0000
	PILE DRIVING EQUIPMENT SETUP FOR *** STEEL PILES (HP 14 X 73)			
0253	8384000000-E	1700.000	LF	\$70.0000
	HP 14 X 73 STEEL PILES			
0254	8393000000-N	10.000	EA	\$140.0000
	PILE REDRIVES			
0255	8394000000-N	2.000	EA	\$5,000.0000
	DYNAMIC PILE TESTING			
0256	8482000000-E	229.000	LF	\$360.0000
	THREE BAR METAL RAIL			
0257	8531000000-E	1397.000	SY	\$110.0000
	4" SLOPE PROTECTION			
0258	8657000000-N	1.000	LS	\$10,000.0000
	ELASTOMERIC BEARINGS			
0259	8867000000-E	228.140	LF	\$296.0000

GENERIC STRUCTURE ITEM BRIDGE MOUNTED BLACK VINYL COATED CHAIN LINK FENCE

0260	8867000000-E	1453.000 LF	\$420.0000	\$610,260.00
------	--------------	-------------	------------	--------------

GENERIC STRUCTURE ITEM MODIFIED 54" PRESTRESSED CONCRETE GIRDERS

Section 0004 Total \$2,231,527.24

Item Total \$19,633,990.17

ELECTRONIC BID SUBMISSION

By submitting this bid electronically, I hereby acknowledge that all requirements included in the hard copy proposal, addendum, amendments, plans, standard specifications, supplemental specifications and special provisions are part of the bid and contract. Further, I acknowledge that I have read, understand, accept, acknowledge and agree to comply with all statements in this electronic bid.

=====

NON-COLLUSION, DEBARMENT AND GIFT BAN CERTIFICATION

The prequalified bidder declares (or certifies, verifies, or states) under penalty of perjury under the laws of the United States that neither he, nor any official, agent or employee has entered into any agreement, participated in any collusion, or otherwise taken any action which is in restraint of free competitive bidding in connection with any bid or contract, that the prequalified bidder has not been convicted of violating N.C.G.S. §133-24 within the last three years, and that the prequalified bidder intends to do the work with his own bonafide employees or subcontractors and will not bid for the benefit of another contractor.

By submitting this non-collusion, debarment and gift ban certification, the Contractor is attesting his status under penalty of perjury under the laws of the United States in accordance with the Debarment Certification attached, provided that the Debarment Certification also includes any required statements concerning exceptions that are applicable.

N.C.G.S. §133-32 and Executive Order 24 prohibit the offer to, or acceptance by, any State Employee of any gift from anyone with a contract with the State, or from any person seeking to do business with the State. By execution of any response in this procurement, you attest, for your entire organization and its employees or agents, that you are not aware that any such gift has been offered, accepted, or promised by any employees of your organization.

DEBARMENT CERTIFICATION OF PREQUALIFIED BIDDER

Conditions for certification:

1. The prequalified bidder shall provide immediate written notice to the Department if at any time the bidder learns that his certification was erroneous when he submitted his debarment certification or explanation that is file with the Department, or has become erroneous because of changed circumstances.
2. The terms covered transaction, debarred, suspended, ineligible, lower tier

covered transaction, participant, person, primary covered transaction, principal, proposal, and voluntarily excluded, as used in this provision, have the meanings set out in the Definitions and Coverage sections of the rules implementing Executive Order 12549. A copy of the Federal Rules requiring this certification and detailing the definitions and coverages may be obtained from the Contract Officer of the Department.

3. The prequalified bidder agrees by submitting this form, that he will not knowingly enter into any lower tier covered transaction with a person who is debarred, suspended, declared ineligible, or voluntarily excluded from participation in NCDOT contracts, unless authorized by the Department.

4. For Federal Aid projects, the prequalified bidder further agrees that by submitting this form he will include the Federal- Aid Provision titled Required Contract Provisions Federal-Aid Construction Contract (Form FHWA PR 1273) provided by the Department, without subsequent modification, in all lower tier covered transactions.

5. The prequalified bidder may rely upon a certification of a participant in a lower tier covered transaction that he is not debarred, suspended, ineligible, or voluntarily excluded from the covered transaction, unless he knows that the certification is erroneous. The bidder may decide the method and frequency by which he will determine the eligibility of his subcontractors.

6. Nothing contained in the foregoing shall be construed to require establishment of a system of records in order to render in good faith the certification required by this provision. The knowledge and information of a participant is not required to exceed that which is normally possessed by a prudent person in the ordinary course of business dealings.

7. Except as authorized in paragraph 6 herein, the Department may terminate any contract if the bidder knowingly enters into a lower tier covered transaction with a person who is suspended, debarred, ineligible, or voluntarily excluded from participation in this transaction, in addition to other remedies available by the Federal Government.

DEBARMENT CERTIFICATION

The prequalified bidder certifies to the best of his knowledge and belief, that he and his principals:

a. Are not presently debarred, suspended, proposed for debarment, declared ineligible, or voluntarily excluded from covered transactions by any Federal department or agency;

b. Have not within a three-year period preceding this proposal been convicted of or had a civil judgment rendered against them for commission of fraud or a criminal offense in connection with obtaining, attempting to obtain, or performing a public (Federal, State or local) transaction or contract under a public transaction; violation of Federal or State antitrust statutes or

commission of embezzlement, theft, forgery, bribery, falsification or destruction of records; making false statements; or receiving stolen property;

c. Are not presently indicted for or otherwise criminally or civilly charged by a governmental entity (Federal, State or local) with commission of any of the offenses enumerated in paragraph b. of this certification; and

d. Have not within a three-year period preceding this proposal had one or more public transactions (Federal, State or local) terminated for cause or default.

e. Will submit a revised Debarment Certification immediately if his status changes and will show in his bid proposal an explanation for the change in status.

If the prequalified bidder cannot certify that he is not debarred, he shall provide an explanation with this submittal. An explanation will not necessarily result in denial of participation in a contract.

Failure to submit a non-collusion and debarment certification will result in the prequalified bidder's bid being considered non-responsive.

EXPLANATION:

=====

Award Limits on Multiple Projects

By answering YES to this statement, the bidder acknowledges that they are using the award limits on multiple projects? **Yes** **No**

A bidder who desires to bid on more than one project on which bids are to be opened on the same date, and who also desires to avoid receiving an award of more projects than he is equipped to handle, may bid on any number of projects but may limit the total amount of work awarded to him on selected projects by completing the AWARD LIMITS ON MULTIPLE PROJECTS.

The Award Limits on Multiple Projects must be filled in on each project bid for which the Bidder desires protection.

It is the desire of the Bidder to be awarded contracts, the value of which will not exceed a total of for those projects indicated herein, for which bids will be opened on (MM/DD/YY)

The Award Limits shall apply to the following projects:

Contract Number
County

Contract Number
County

Contract Number
County

Contract Number
County

Contract Number
County

Contract Number
County

It is agreed that if I am (we are) the low Bidder(s) on indicated projects, the total value of which is more than the above stipulated award limits, the Board of Transportation will award me (us) projects from among those indicated

that have a total value not to exceed the award limit and will result in the lowest total bids to the Department of Transportation.

DBE List Summary

Project: STATE FUNDED
Bid Total: 19,633,990.17
Goal: 4.00% (785,359.61)
Total Entered: 10.76% (2,111,785.90)

Bidder ID: 3760
Business Name: S T Wooten Corp

<u>ID</u>	<u>Name</u>	<u>Supp?/Dist?</u>	<u>Item Count</u>	<u>Amount</u>	<u>Is Complete?</u>
4880	TRICOR CONSTRUCTION INC	No	2	2,111,785.90	True

Name: TRICOR CONSTRUCTION INC ID: 4880

Address: 1983 CHESNEE HWY SPARTANBURG, SC 29303

Used As: SubContractor DBE Items Total:\$2,111,785.90

Items for TRICOR CONSTRUCTION INC

0003				
WALL ITEMS				
0245	8801000000-E	20070.000 SF	\$51.1700	\$1,026,981.90
	MSE RETAINING WALL NO **** (W1)			
0246	8801000000-E	21200.000 SF	\$51.1700	\$1,084,804.00
	MSE RETAINING WALL NO **** (W2)			
Section 0003 Total				\$2,111,785.90
Item Total				\$2,111,785.90

THIS PROPOSAL CONTAINS THE FOLLOWING ERRORS/WARNINGS (IF ANY)

This Bid contains 1 amendment files

1 10/08/2024 ADD & MODIFY ITEMS

Electronic Bid Submission

By submitting this bid electronically, I hereby acknowledge that all requirements included in the hard copy proposal, addendum, amendments, plans, standard specifications, supplemental specifications and special provisions are part of the bid and contract. Further, I acknowledge that I have read, understand, accept, acknowledge and agree to comply with all statements in this electronic bid.

I hereby certify that I have the authority to submit this bid.

Signature _____

Agency _____

Date _____

Signature _____

Agency _____

Date _____

Signature _____

Agency _____

Date _____

Attachments

Failure to complete and attach the Fuel Usage Factor Adjustment Form will result in using 2.90 gallons per ton as the Fuel Usage Factor for Diesel for the asphalt items included on the form. The contractor will not be permitted to change the option after the bids are submitted.

NOTE: The maximum upload limit is 5 MB.

Verify

Line #	ItemNumber	Sec #	Description	Quantity Unit	Unit Bid Price	Amount Bid
ROADWAY ITEMS						
0001	0000100000-N	800	MOBILIZATION	LUMP SUM	975,000.00	975,000.00
0002	0000400000-N	801	CONSTRUCTION SURVEYING	LUMP SUM	200,000.00	200,000.00
0003	0001000000-E	200	CLEARING & GRUBBING .. ACRE(S)	LUMP SUM LS	500,000.00	500,000.00
0004	0008000000-E	200	SUPPLEMENTARY CLEARING & GRUBBING	1 ACR	5,100.00	5,100.00
0005	0022000000-E	225	UNCLASSIFIED EXCAVATION	1,400 CY	40.00	56,000.00
0006	0036000000-E	225	UNDERCUT EXCAVATION	1,450 CY	27.00	39,150.00
0007	0106000000-E	230	BORROW EXCAVATION	175,000 CY	1.00	175,000.00
0008	0134000000-E	240	DRAINAGE DITCH EXCAVATION	1,474 CY	20.00	29,480.00
0009	0156000000-E	250	REMOVAL OF EXISTING ASPHALT PAVEMENT	1,280 SY	4.50	5,760.00
0010	0177000000-E	250	BREAKING OF EXISTING ASPHALT PAVEMENT	9,500 SY	2.25	21,375.00
0011	0195000000-E	265	SELECT GRANULAR MATERIAL	950 CY	50.00	47,500.00
0012	0196000000-E	270	GEOTEXTILE FOR SOIL STABILIZATION	1,250 SY	3.00	3,750.00
0013	0199000000-E	SP	TEMPORARY SHORING	18,478 SF	27.50	508,145.00
0014	0234000000-E	SP	GENERIC GRADING ITEM HAULING OF EXISTING PAVEMENT	75 CY	10.50	787.50
0015	0248000000-N	SP	GENERIC GRADING ITEM TYPE 1 BRIDGE APPROACH FILL, STA 21+77.88 -L- END BENT 2	LUMP SUM	85,000.00	85,000.00
0016	0248000000-N	SP	GENERIC GRADING ITEM TYPE 2 BRIDGE APPROACH FILL, STA 20+48.87 -L- END BENT 1	LUMP SUM	25,000.00	25,000.00
0017	0255000000-E	SP	GENERIC GRADING ITEM HAULING AND DISPOSAL OF PETROLEUM CONTAMINATED SOIL	50 TON	200.00	10,000.00
0018	0318000000-E	300	FOUNDATION CONDITIONING MATERIAL, MINOR STRUCTURES	580 TON	36.00	20,880.00
0019	0321000000-E	300	FOUNDATION CONDITIONING GEOTEXTILE	2,830 SY	3.00	8,490.00
0020	0335200000-E	305	15" DRAINAGE PIPE	464 LF	77.00	35,728.00
0021	0335300000-E	305	18" DRAINAGE PIPE	248 LF	89.00	22,072.00

Line #	ItemNumber	Sec #	Description	Quantity Unit	Unit Bid Price	Amount Bid
0022	0335400000-E	305	24" DRAINAGE PIPE	72 LF	133.00	9,576.00
0023	0335850000-E	305	*** DRAINAGE PIPE ELBOWS (15")	8 EA	725.00	5,800.00
0024	0335850000-E	305	*** DRAINAGE PIPE ELBOWS (18")	4 EA	595.00	2,380.00
0025	0372000000-E	310	18" RC PIPE CULVERTS, CLASS III	248 LF	86.00	21,328.00
0026	0448200000-E	310	15" RC PIPE CULVERTS, CLASS IV	1,068 LF	79.00	84,372.00
0027	0448300000-E	310	18" RC PIPE CULVERTS, CLASS IV	264 LF	95.00	25,080.00
0028	0448400000-E	310	24" RC PIPE CULVERTS, CLASS IV	428 LF	135.00	57,780.00
0029	0448600000-E	310	36" RC PIPE CULVERTS, CLASS IV	68 LF	211.00	14,348.00
0030	0539000000-E	310	*** POLYPROPYLENE PIPE CULVERTS (15")	460 LF	78.00	35,880.00
0031	0539000000-E	310	*** POLYPROPYLENE PIPE CULVERTS (18")	308 LF	100.00	30,800.00
0032	0973100000-E	330	*** WELDED STEEL PIPE, ***** THICK, GRADE B IN SOIL (36", 0.500")	66 LF	1,040.00	68,640.00
0033	0973300000-E	330	*** WELDED STEEL PIPE, ***** THICK, GRADE B NOT IN SOIL (36", 0.500")	66 LF	1,880.00	124,080.00
0034	0986000000-E	SP	GENERIC PIPE ITEM 15" WELDED STEEL PIPE (CONTRACTOR DESIGNED)	148 LF	203.00	30,044.00
0035	0986000000-E	SP	GENERIC PIPE ITEM 18" WELDED STEEL PIPE (CONTRACTOR DESIGNED)	36 LF	250.00	9,000.00
0036	0986000000-E	SP	GENERIC PIPE ITEM 36" WELDED STEEL PIPE (CONTRACTOR DESIGNED)	168 LF	450.00	75,600.00
0037	0986000000-E	SP	GENERIC PIPE ITEM MASONRY DRAINAGE STRUCTURE (CONTRACTOR DESIGNED)	28.7 LF	900.00	25,830.00
0038	0986000000-E	SP	GENERIC PIPE ITEM SEALED SYSTEM INSPECTION	1,252 LF	5.00	6,260.00
0039	0992000000-E	SP	GENERIC PIPE ITEM MASONRY DRAINAGE STRUCTURE (CONTRACTOR DESIGNED)	12 EA	4,850.00	58,200.00
0040	0995000000-E	340	PIPE REMOVAL	1,642 LF	19.00	31,198.00

Line #	ItemNumber	Sec #	Description	Quantity Unit	Unit Bid Price	Amount Bid
0041	0996000000-N	350	PIPE CLEAN OUT	1 EA	3,750.00	3,750.00
0042	1011000000-N	500	FINE GRADING	LUMP SUM	3,130,000.00	3,130,000.00
0043	1099500000-E	505	SHALLOW UNDERCUT	100 CY	37.00	3,700.00
0044	1099700000-E	505	CLASS IV SUBGRADE STABILIZATION	3,360 TON	30.00	100,800.00
0045	1112000000-E	505	GEOTEXTILE FOR SUBGRADE STABILIZATION	7,290 SY	3.00	21,870.00
0046	1121000000-E	520	AGGREGATE BASE COURSE	80 TON	60.00	4,800.00
0047	1220000000-E	545	INCIDENTAL STONE BASE	100 TON	60.00	6,000.00
0048	1275000000-E	600	PRIME COAT	98 GAL	5.50	539.00
0049	1297000000-E	607	MILLING ASPHALT PAVEMENT, **** DEPTH (1-1/2")	2,040 SY	6.00	12,240.00
0050	1330000000-E	607	INCIDENTAL MILLING	1,060 SY	6.00	6,360.00
0051	1491000000-E	610	ASPHALT CONC BASE COURSE, TYPE B25.0C	4,525 TON	135.00	610,875.00
0052	1503000000-E	610	ASPHALT CONC INTERMEDIATE COURSE, TYPE I19.0C	3,525 TON	135.00	475,875.00
0053	1519000000-E	610	ASPHALT CONC SURFACE COURSE, TYPE S9.5B	4,000 TON	160.00	640,000.00
0054	1575000000-E	620	ASPHALT BINDER FOR PLANT MIX	635 TON	600.00	381,000.00
0055	1693000000-E	654	ASPHALT PLANT MIX, PAVEMENT REPAIR	100 TON	220.00	22,000.00
0056	1880000000-E	SP	GENERIC PAVING ITEM ABC(M) CONSTRUCTION	208 TON	35.00	7,280.00
0057	2000000000-N	806	RIGHT-OF-WAY MARKERS	47 EA	400.00	18,800.00
0058	2209000000-E	838	ENDWALLS	6.8 CY	2,850.00	19,380.00
0059	2275000000-E	SP	FLOWABLE FILL	83 CY	340.00	28,220.00
0060	2286000000-N	840	MASONRY DRAINAGE STRUCTURES	28 EA	2,355.00	65,940.00
0061	2308000000-E	840	MASONRY DRAINAGE STRUCTURES	11.7 LF	716.00	8,377.20
0062	2364000000-N	840	FRAME WITH TWO GRATES, STD 840.16	9 EA	922.00	8,298.00

Line #	ItemNumber	Sec #	Description	Quantity Unit	Unit Bid Price	Amount Bid
0063	2365000000-N	840	FRAME WITH TWO GRATES, STD 840.22	2 EA	810.00	1,620.00
0064	2366000000-N	840	FRAME WITH TWO GRATES, STD 840.24	2 EA	800.00	1,600.00
0065	2374000000-N	840	FRAME WITH GRATE & HOOD, STD 840.03, TYPE ** (E)	2 EA	1,290.00	2,580.00
0066	2374000000-N	840	FRAME WITH GRATE & HOOD, STD 840.03, TYPE ** (F)	10 EA	1,330.00	13,300.00
0067	2374000000-N	840	FRAME WITH GRATE & HOOD, STD 840.03, TYPE ** (G)	10 EA	1,330.00	13,300.00
0068	2396000000-N	840	FRAME WITH COVER, STD 840.54	5 EA	700.00	3,500.00
0069	2451000000-N	852	CONCRETE TRANSITIONAL SECTION FOR DROP INLET	2 EA	920.00	1,840.00
0070	2549000000-E	846	2'-6" CONCRETE CURB & GUTTER	5,420 LF	27.00	146,340.00
0071	2570000000-N	SP	MODIFIED CONCRETE FLUME	1 EA	4,100.00	4,100.00
0072	2591000000-E	848	4" CONCRETE SIDEWALK	2,625 SY	44.00	115,500.00
0073	2605000000-N	848	CONCRETE CURB RAMPS	19 EA	2,775.00	52,725.00
0074	2612000000-E	848	6" CONCRETE DRIVEWAY	65 SY	94.00	6,110.00
0075	2655000000-E	852	5" MONOLITHIC CONCRETE ISLANDS (KEYED IN)	180 SY	85.00	15,300.00
0076	2738000000-E	SP	GENERIC PAVING ITEM REINFORCED CONCRETE BUS PAD	30 SY	181.00	5,430.00
0077	2752000000-E	SP	GENERIC PAVING ITEM PEDESTRIAN SAFETY RAIL	100 LF	259.00	25,900.00
0078	2800000000-N	858	ADJUSTMENT OF CATCH BASINS	2 EA	1,780.00	3,560.00
0079	2830000000-N	858	ADJUSTMENT OF MANHOLES	2 EA	1,780.00	3,560.00
0080	2845000000-N	858	ADJUSTMENT OF METER BOXES OR VALVE BOXES	3 EA	1,780.00	5,340.00
0081	2860000000-N	859	CONVERT EXISTING CATCH BASIN TO JUNCTION BOX	1 EA	1,780.00	1,780.00
0082	2950000000-N	859	CONVERT EXISTING JUNCTION BOX TO DROP INLET	1 EA	1,780.00	1,780.00
0083	3030000000-E	862	STEEL BEAM GUARDRAIL	2,625 LF	22.00	57,750.00

Line #	ItemNumber	Sec #	Description	Quantity Unit	Unit Bid Price	Amount Bid
0084	3045000000-E	862	STEEL BEAM GUARDRAIL, SHOP CURVED	625 LF	23.00	14,375.00
0085	3145000000-E	862	EXTRA LENGTH GUARDRAIL POST (** STEEL) (8')	8 EA	80.00	640.00
0086	3150000000-N	862	ADDITIONAL GUARDRAIL POSTS	10 EA	40.00	400.00
0087	3195000000-N	862	GUARDRAIL END UNITS, TYPE AT-1	1 EA	850.00	850.00
0088	3210000000-N	862	GUARDRAIL END UNITS, TYPE CAT-1	3 EA	950.00	2,850.00
0089	3215000000-N	862	GUARDRAIL ANCHOR UNITS, TYPE III	4 EA	2,400.00	9,600.00
0090	3288000000-N	862	GUARDRAIL END UNITS, TYPE TL-2	8 EA	3,300.00	26,400.00
0091	3575000000-E	SP	GENERIC FENCING ITEM BLACK VINYL COATED CHAIN LINK FENCE, 48" FABRIC	1,360 LF	22.50	30,600.00
0092	3578000000-N	SP	GENERIC FENCING ITEM BLACK VINYL COATED METAL LINE POSTS, 48" CHAIN LINK FENCE	114 EA	88.00	10,032.00
0093	3578000000-N	SP	GENERIC FENCING ITEM BLACK VINYL COATED METAL TERMINAL POSTS, 48" CHAIN LINK FENCE	14 EA	200.00	2,800.00
0094	3628000000-E	876	RIP RAP, CLASS I	776 TON	72.00	55,872.00
0095	3649000000-E	876	RIP RAP, CLASS B	120 TON	69.00	8,280.00
0096	3656000000-E	876	GEOTEXTILE FOR DRAINAGE	2,529 SY	3.00	7,587.00
0097	4025000000-E	901	CONTRACTOR FURNISHED, TYPE *** SIGN (D)	3.5 SF	20.50	71.75
0098	4025000000-E	901	CONTRACTOR FURNISHED, TYPE *** SIGN (E)	130.84 SF	20.00	2,616.80
0099	4072000000-E	903	SUPPORTS, 3-LB STEEL U-CHANNEL	300 LF	6.60	1,980.00
0100	4096000000-N	904	SIGN ERECTION, TYPE D	1 EA	317.00	317.00
0101	4102000000-N	904	SIGN ERECTION, TYPE E	26 EA	220.00	5,720.00
0102	4116100000-N	904	SIGN ERECTION, RELOCATE TYPE **** (GROUND MOUNTED) (E)	2 EA	220.00	440.00

Line #	ItemNumber	Sec #	Description	Quantity Unit	Unit Bid Price	Amount Bid
0103	4155000000-N	907	DISPOSAL OF SIGN SYSTEM, U-CHANNEL	15 EA	11.00	165.00
0104	4192000000-N	907	DISPOSAL OF SUPPORT, U-CHANNEL	2 EA	11.00	22.00
0105	4400000000-E	1110	WORK ZONE SIGNS (STATIONARY)	712 SF	7.00	4,984.00
0106	4405000000-E	1110	WORK ZONE SIGNS (PORTABLE)	207 SF	63.00	13,041.00
0107	4410000000-E	1110	WORK ZONE SIGNS (BARRICADE MOUNTED)	271 SF	10.00	2,710.00
0108	4415000000-N	1115	FLASHING ARROW BOARD	2 EA	3,680.00	7,360.00
0109	4420000000-N	1120	PORTABLE CHANGEABLE MESSAGE SIGN	4 EA	7,900.00	31,600.00
0110	4430000000-N	1130	DRUMS	110 EA	98.00	10,780.00
0111	4445000000-E	1145	BARRICADES (TYPE III)	344 LF	21.00	7,224.00
0112	4447000000-E	SP	PEDESTRIAN CHANNELIZING DEVICES	32 LF	39.25	1,256.00
0113	4455000000-N	1150	FLAGGER	40 DAY	464.00	18,560.00
0114	4465000000-N	1160	TEMPORARY CRASH CUSHIONS	6 EA	12,500.00	75,000.00
0115	4480000000-N	1165	TMA	2 EA	9,520.00	19,040.00
0116	4485000000-E	1170	PORTABLE CONCRETE BARRIER	3,255 LF	45.00	146,475.00
0117	4490000000-E	1170	PORTABLE CONCRETE BARRIER (ANCHORED)	225 LF	184.00	41,400.00
0118	4510000000-N	1190	LAW ENFORCEMENT	40 HR	113.00	4,520.00
0119	4650000000-N	1251	TEMPORARY RAISED PAVEMENT MARKERS	146 EA	10.00	1,460.00
0120	4685000000-E	1205	THERMOPLASTIC PAVEMENT MARKING LINES (4", 90 MILS)	15,625 LF	0.99	15,468.75
0121	4695000000-E	1205	THERMOPLASTIC PAVEMENT MARKING LINES (8", 90 MILS)	1,050 LF	2.50	2,625.00
0122	4709000000-E	1205	THERMOPLASTIC PAVEMENT MARKING LINES (24", 90 MILS)	550 LF	12.00	6,600.00
0123	4725000000-E	1205	THERMOPLASTIC PAVEMENT MARKING SYMBOL (90 MILS)	39 EA	150.00	5,850.00
0124	4726100000-E	1205	HEATED-IN-PLACE THERMOPLASTIC PAVEMENT MARKING CHARACTER (120 MILS)	6 EA	170.00	1,020.00

Line #	ItemNumber	Sec #	Description	Quantity Unit	Unit Bid Price	Amount Bid
0125	4726110000-E	1205	HEATED-IN-PLACE THERMOPLASTIC PAVEMENT MARKING SYMBOL (90 MILS)	33 EA	285.00	9,405.00
0126	4770000000-E	1205	COLD APPLIED PLASTIC PAVEMENT MARKING LINES, TYPE ** (4") (IV)	720 LF	2.50	1,800.00
0127	4810000000-E	1205	PAINT PAVEMENT MARKING LINES (4")	36,991 LF	0.25	9,247.75
0128	4820000000-E	1205	PAINT PAVEMENT MARKING LINES (8")	2,228 LF	0.75	1,671.00
0129	4830000000-E	1205	PAINT PAVEMENT MARKING LINES (16")	84 LF	6.00	504.00
0130	4835000000-E	1205	PAINT PAVEMENT MARKING LINES (24")	114 LF	6.00	684.00
0131	4840000000-N	1205	PAINT PAVEMENT MARKING CHARACTER	12 EA	50.00	600.00
0132	4845000000-N	1205	PAINT PAVEMENT MARKING SYMBOL	16 EA	50.00	800.00
0133	4846000000-E	1205	POLYUREA PAVEMENT MARKING LINES (***, *** MILS) (4", 30 MILS)	1,150 LF	3.00	3,450.00
0134	4850000000-E	1205	REMOVAL OF PAVEMENT MARKING LINES (4")	3,220 LF	1.75	5,635.00
0135	4860000000-E	1205	REMOVAL OF PAVEMENT MARKING LINES (8")	260 LF	3.50	910.00
0136	4890000000-E	SP	GENERIC PAVEMENT MARKING ITEM YIELD LINE THERMOPLASTIC PAVEMENT MARKING, 24", 90 MILS	25 LF	20.00	500.00
0137	4900000000-N	1251	PERMANENT RAISED PAVEMENT MARKERS	13 EA	10.00	130.00
0138	5155000000-E	1409	ELECTRICAL DUCT, TYPE BD, SIZE ***** (2")	2,600 LF	7.75	20,150.00
0139	5326200000-E	1510	12" WATER LINE	843 LF	128.00	107,904.00
0140	5326600000-E	1510	16" WATER LINE	2,146 LF	162.00	347,652.00
0141	5329000000-E	1510	DUCTILE IRON WATER PIPE FITTINGS	16,580 LB	12.00	198,960.00
0142	5540000000-E	1515	6" VALVE	4 EA	1,950.00	7,800.00
0143	5558000000-E	1515	12" VALVE	5 EA	5,550.00	27,750.00
0144	5558600000-E	1515	16" VALVE	4 EA	20,100.00	80,400.00

Line #	ItemNumber	Sec #	Description	Quantity Unit	Unit Bid Price	Amount Bid
0145	5562000000-E	1515	*** INSERTION VALVE (12")	1 EA	38,000.00	38,000.00
0146	5562000000-E	1515	*** INSERTION VALVE (16")	1 EA	54,300.00	54,300.00
0147	5574000000-E	1515	30" TAPPING SLEEVE & VALVE	1 EA	28,750.00	28,750.00
0148	5589300000-E	1515	3" AIR RELEASE VALVE	1 EA	22,675.00	22,675.00
0149	5589400000-E	1515	4" AIR RELEASE VALVE	1 EA	25,500.00	25,500.00
0150	5643150000-E	1515	1-1/2" WATER METER	1 EA	15,250.00	15,250.00
0151	5648000000-N	1515	RELOCATE WATER METER	2 EA	900.00	1,800.00
0152	5649000000-N	1515	RECONNECT WATER METER	3 EA	1,730.00	5,190.00
0153	5656100000-E	1515	RELOCATE *** RPZ BACKFLOW PREVENTION ASSEMBLY (1-1/2")	1 EA	7,360.00	7,360.00
0154	5666000000-N	1515	FIRE HYDRANT	4 EA	5,955.00	23,820.00
0155	5672000000-N	1515	RELOCATE FIRE HYDRANT	1 EA	1,525.00	1,525.00
0156	5673000000-E	1515	FIRE HYDRANT LEG	45 LF	189.00	8,505.00
0157	5686000000-E	1515	*** WATER SERVICE LINE (1-1/2")	129 LF	71.00	9,159.00
0158	5691300000-E	1520	8" SANITARY GRAVITY SEWER	1,325.91 LF	184.00	243,967.44
0159	5768000000-N	1520	SANITARY SEWER CLEAN-OUT	8 EA	1,142.00	9,136.00
0160	5768500000-E	1520	SEWER SERVICE LINE	488 LF	54.00	26,352.00
0161	5775000000-E	1525	4' DIA UTILITY MANHOLE	5 EA	5,350.00	26,750.00
0162	5781000000-E	1525	UTILITY MANHOLE WALL 4' DIA	42.3 LF	500.00	21,150.00
0163	5801000000-E	1530	ABANDON 8" UTILITY PIPE	1,425 LF	10.00	14,250.00
0164	5804000000-E	1530	ABANDON 12" UTILITY PIPE	1,021 LF	13.50	13,783.50
0165	5810000000-E	1530	ABANDON 16" UTILITY PIPE	1,835 LF	14.75	27,066.25
0166	5815000000-N	1530	REMOVE WATER METER	2 EA	600.00	1,200.00

Line #	ItemNumber	Sec #	Description	Quantity Unit	Unit Bid Price	Amount Bid
0167	5815500000-N	1530	REMOVE FIRE HYDRANT	5 EA	900.00	4,500.00
0168	5816000000-N	1530	ABANDON UTILITY MANHOLE	6 EA	1,065.00	6,390.00
0169	5828000000-N	1530	REMOVE UTILITY MANHOLE	2 EA	600.00	1,200.00
0170	5835700000-E	1540	16" ENCASEMENT PIPE	150 LF	161.00	24,150.00
0171	5836200000-E	1540	30" ENCASEMENT PIPE	437 LF	371.00	162,127.00
0172	5872500000-E	1550	BORE AND JACK OF *** (16")	150 LF	845.50	126,825.00
0173	5872500000-E	1550	BORE AND JACK OF *** (30")	150 LF	632.50	94,875.00
0174	5882000000-N	SP	GENERIC UTILITY ITEM 16" NITRILE GASKETS	14 EA	1,560.00	21,840.00
0175	5882000000-N	SP	GENERIC UTILITY ITEM 4' DIA UTILITY MANHOLE WITH EXTENDED BASE	3 EA	6,155.00	18,465.00
0176	5882000000-N	SP	GENERIC UTILITY ITEM 8" SANITARY SEWER MAIN POINT REPAIR	1 EA	18,275.00	18,275.00
0177	6000000000-E	1605	TEMPORARY SILT FENCE	14,020 LF	2.80	39,256.00
0178	6006000000-E	1610	STONE FOR EROSION CONTROL, CLASS A	300 TON	30.00	9,000.00
0179	6009000000-E	1610	STONE FOR EROSION CONTROL, CLASS B	2,010 TON	31.00	62,310.00
0180	6012000000-E	1610	SEDIMENT CONTROL STONE	1,405 TON	25.00	35,125.00
0181	6015000000-E	1615	TEMPORARY MULCHING	11 ACR	1,800.00	19,800.00
0182	6018000000-E	1620	SEED FOR TEMPORARY SEEDING	600 LB	1.00	600.00
0183	6021000000-E	1620	FERTILIZER FOR TEMPORARY SEEDING	3.5 TON	800.00	2,800.00
0184	6024000000-E	1622	TEMPORARY SLOPE DRAINS	1,110 LF	10.00	11,100.00
0185	6029000000-E	SP	SAFETY FENCE	240 LF	4.00	960.00
0186	6030000000-E	1630	SILT EXCAVATION	5,460 CY	5.00	27,300.00
0187	6036000000-E	1631	MATTING FOR EROSION CONTROL	12,000 SY	1.55	18,600.00
0188	6037000000-E	1629	COIR FIBER MAT	100 SY	8.00	800.00

Line #	ItemNumber	Sec #	Description	Quantity Unit	Unit Bid Price	Amount Bid
0189	6038000000-E	SP	PERMANENT SOIL REINFORCEMENT MAT	280 SY	8.00	2,240.00
0190	6042000000-E	1632	1/4" HARDWARE CLOTH	3,945 LF	4.00	15,780.00
0191	6043000000-E	1644	LOW PERMEABILITY GEOTEXTILE	300 SY	5.67	1,701.00
0192	6071002000-E	1642	FLOCCULANT	205 LB	1.00	205.00
0193	6071012000-E	1642	COIR FIBER WATTLE	1,240 LF	4.50	5,580.00
0194	6071050000-E	1644	*** SKIMMER (1-1/2")	8 EA	3,800.00	30,400.00
0195	6084000000-E	1660	SEEDING & MULCHING	18 ACR	500.00	9,000.00
0196	6087000000-E	1660	MOWING	15 ACR	240.00	3,600.00
0197	6090000000-E	1661	SEED FOR REPAIR SEEDING	150 LB	4.00	600.00
0198	6093000000-E	1661	FERTILIZER FOR REPAIR SEEDING	1.5 TON	1,200.00	1,800.00
0199	6096000000-E	1662	SEED FOR SUPPLEMENTAL SEEDING	400 LB	4.00	1,600.00
0200	6108000000-E	1665	FERTILIZER TOPDRESSING	11.5 TON	950.00	10,925.00
0201	6114500000-N	1667	SPECIALIZED HAND MOWING	10 MHR	180.00	1,800.00
0202	6117000000-N	1675	RESPONSE FOR EROSION CONTROL	100 EA	10.00	1,000.00
0203	6117500000-N	SP	CONCRETE WASHOUT STRUCTURE	4 EA	1,500.00	6,000.00
0204	6132000000-N	SP	GENERIC EROSION CONTROL ITEM FABRIC INSERT INLET PROTECTION CLEANOUT	120 EA	100.00	12,000.00
0205	6132000000-N	SP	GENERIC EROSION CONTROL ITEM FABRIC INSERT INLET PROTECTION, TYPE 1	40 EA	210.00	8,400.00
0206	7048500000-E	1705	PEDESTRIAN SIGNAL HEAD (16", 1 SECTION W/COUNTDOWN)	5 EA	1,700.00	8,500.00
0207	7060000000-E	1705	SIGNAL CABLE	2,650 LF	6.50	17,225.00
0208	7120000000-E	1705	VEHICLE SIGNAL HEAD (12", 3 SECTION)	1 EA	1,750.00	1,750.00
0209	7144000000-E	1705	VEHICLE SIGNAL HEAD (12", 5 SECTION)	2 EA	1,900.00	3,800.00
0210	7229000000-N	SP	APS DETECTOR STATION	10 EA	1,850.00	18,500.00

Line #	ItemNumber	Sec #	Description	Quantity Unit	Unit Bid Price	Amount Bid
0211	7230000000-N	SP	CENTRAL CONTROL UNIT APS DETECTOR STATION	1 EA	4,500.00	4,500.00
0212	7252000000-E	1710	MESSENGER CABLE (1/4")	2,250 LF	4.00	9,000.00
0213	7279000000-E	1715	TRACER WIRE	25 LF	2.50	62.50
0214	7288000000-E	1715	PAVED TRENCHING (***** (1, 2")	100 LF	35.00	3,500.00
0215	7300000000-E	1715	UNPAVED TRENCHING (***** (1, 1")	100 LF	25.00	2,500.00
0216	7300000000-E	1715	UNPAVED TRENCHING (***** (1, 2")	50 LF	75.00	3,750.00
0217	7301000000-E	1715	DIRECTIONAL DRILL (***** (1, 2")	50 LF	175.00	8,750.00
0218	7324000000-N	1716	JUNCTION BOX (STANDARD SIZE)	3 EA	925.00	2,775.00
0219	7372000000-N	1721	GUY ASSEMBLY	8 EA	1,250.00	10,000.00
0220	7396000000-E	1722	1/2" RISER WITH WEATHERHEAD	1 EA	710.00	710.00
0221	7420000000-E	1722	2" RISER WITH WEATHERHEAD	1 EA	1,125.00	1,125.00
0222	7444000000-E	1725	INDUCTIVE LOOP SAWCUT	675 LF	14.50	9,787.50
0223	7456100000-E	1726	LEAD-IN CABLE (14-2)	3,375 LF	3.50	11,812.50
0224	7481000000-N	SP	SITE SURVEY	1 EA	5,000.00	5,000.00
0225	7481240000-N	SP	CAMERA WITHOUT INTERNAL LOOP EMULATOR PROCESSING UNIT	1 EA	7,500.00	7,500.00
0226	7481260000-N	SP	EXTERNAL LOOP EMULATOR PROCESSING UNIT	1 EA	7,500.00	7,500.00
0227	7516000000-E	1730	COMMUNICATIONS CABLE (** FIBER) (12)	2,550 LF	5.25	13,387.50
0228	7528000000-E	1730	DROP CABLE	350 LF	5.25	1,837.50
0229	7540000000-N	1731	SPLICE ENCLOSURE	1 EA	4,525.00	4,525.00
0230	7541000000-N	1731	MODIFY SPLICE ENCLOSURE	1 EA	3,225.00	3,225.00
0231	7575160000-E	1734	REMOVE EXISTING COMMUNICATIONS CABLE	2,925 LF	3.00	8,775.00
0232	7636000000-N	1745	SIGN FOR SIGNALS	8 EA	875.00	7,000.00
0233	7642200000-N	1743	TYPE II PEDESTAL WITH FOUNDATION	4 EA	6,000.00	24,000.00

Line #	ItemNumber	Sec #	Description	Quantity Unit	Unit Bid Price	Amount Bid
0234	7696000000-N	1751	CONTROLLERS WITH CABINET (***** (TYPE 2070LX, BASE MOUNTED)	1 EA	27,500.00	27,500.00
0235	7744000000-N	1751	DETECTOR CARD (TYPE 170)	12 EA	350.00	4,200.00
0236	7901000000-N	1753	CABINET BASE EXTENDER	1 EA	800.00	800.00
0237	7980000000-N	SP	GENERIC SIGNAL ITEM LUMINAIRE ARM FOR TEMPORARY VIDEO SYSTEM	1 EA	1,200.00	1,200.00
0261	2847000000-N	858	RECONSTRUCT MANHOLE STRUCTURES	1 EA	3,561.49	3,561.49
0262	5882000000-N	SP	GENERIC UTILITY ITEM 8" NITRILE GASKETS	24 EA	444.70	10,672.80
0263	5882000000-N	SP	GENERIC UTILITY ITEM NITRILE MANHOLE TO PIPE CONNECTORS	8 EA	678.90	5,431.20
***** BEGIN SCHEDULE AA***** ***** (5 ALTERNATES) *****						
0238 AA1	4894900000-E	SP	GENERIC PAVEMENT MARKING ITEM 10' INLAID PAVEMENT MARKINGS	214 EA		
*** OR ***						
0239 AA2	4894900000-E	SP	GENERIC PAVEMENT MARKING ITEM 10' RUMBLE SKIPS	214 EA		
*** OR ***						
0240 AA3	4895000000-N	SP	GENERIC PAVEMENT MARKING ITEM INLAID CRADLE MARKERS	214 EA		
*** OR ***						
0241 AA4	4895000000-N	SP	GENERIC PAVEMENT MARKING ITEM INLAID RAISED PAVEMENT MARKERS	214 EA		
*** OR ***						
0242 AA5	4895000000-N	SP	GENERIC PAVEMENT MARKING ITEM POLYCARBONATE H-SHAPED MARKERS	214 EA		12,626.00
*** END SCHEDULE AA***						
***** BEGIN SCHEDULE BB***** ***** (2 ALTERNATES) *****						
0243 BB1	2473000000-N	SP	GENERIC DRAINAGE ITEM RESILIENT CONNECTOR	25 EA		19,278.00
*** OR ***						
0244 BB2	2253000000-E	840	PIPE COLLARS	11 CY		
*** END SCHEDULE BB***						

Contract Item Sheets For C204339

Line #	ItemNumber	Sec #	Description	Quantity Unit	Unit Bid Price	Amount Bid
WALL ITEMS						
0245	8801000000-E	SP	MSE RETAINING WALL NO **** (W1)	20,070 SF	120.00	2,408,400.00
0246	8801000000-E	SP	MSE RETAINING WALL NO **** (W2)	21,200 SF	108.00	2,289,600.00

Line #	ItemNumber	Sec #	Description	Quantity Unit	Unit Bid Price	Amount Bid
STRUCTURE ITEMS						
0247	8147000000-E	420	REINFORCED CONCRETE DECK SLAB	10,220 SF	72.00	735,840.00
0248	8161000000-E	420	GROOVING BRIDGE FLOORS	11,318 SF	1.10	12,449.80
0249	8182000000-E	420	CLASS A CONCRETE (BRIDGE)	147.9 CY	1,200.00	177,480.00
0250	8210000000-N	422	BRIDGE APPROACH SLABS, STATION ***** (20+97.25 -L-)	LUMP SUM	150,000.00	150,000.00
0251	8217000000-E	425	REINFORCING STEEL (BRIDGE)	25,729 LB	2.00	51,458.00
0252	8328200000-E	450	PILE DRIVING EQUIPMENT SETUP FOR *** STEEL PILES (HP 14 X 73)	20 EA	2,500.00	50,000.00
0253	8384000000-E	450	HP 14 X 73 STEEL PILES	1,700 LF	70.00	119,000.00
0254	8393000000-N	450	PILE REDRIVES	10 EA	140.00	1,400.00
0255	8394000000-N	450	DYNAMIC PILE TESTING	2 EA	5,000.00	10,000.00
0256	8482000000-E	460	THREE BAR METAL RAIL	229 LF	360.00	82,440.00
0257	8531000000-E	462	4" SLOPE PROTECTION	1,397 SY	110.00	153,670.00
0258	8657000000-N	430	ELASTOMERIC BEARINGS	LUMP SUM	10,000.00	10,000.00
0259	8867000000-E	SP	GENERIC STRUCTURE ITEM BRIDGE MOUNTED BLACK VINYL COATED CHAIN LINK FENCE	228.14 LF	296.00	67,529.44
0260	8867000000-E	SP	GENERIC STRUCTURE ITEM MODIFIED 54" PRESTRESSED CONCRETE GIRDERS	1,453 LF	420.00	610,260.00
TOTAL AMOUNT OF BID FOR ENTIRE PROJECT						\$19,633,990.17

Contract No. C204339
County Wake

Rev. 1-16-18

**EXECUTION OF CONTRACT
NON-COLLUSION, DEBARMENT AND GIFT BAN CERTIFICATION**

CORPORATION

The Contractor declares (or certifies, verifies, or states) under penalty of perjury under the laws of the United States that neither he, nor any official, agent or employee has entered into any agreement, participated in any collusion, or otherwise taken any action which is in restraint of free competitive bidding in connection with this Contract, that the Contractor has not been convicted of violating *N.C.G.S. § 133-24* within the last three years, and that the Contractor intends to do the work with its own bona fide employees or subcontractors and did not bid for the benefit of another contractor.

By submitting this Execution of Contract, Non-Collusion and Debarment Certification, the Contractor is certifying his status under penalty of perjury under the laws of the United States in accordance with the Debarment Certification attached, provided that the Debarment Certification also includes any required statements concerning exceptions that are applicable.

N.C.G.S. § 133-32 and Executive Order 24 prohibit the offer to, or acceptance by, any State Employee of any gift from anyone with a contract with the State, or from any person seeking to do business with the State. By execution of any response in this procurement, you attest, for your entire organization and its employees or agents, that you are not aware that any such gift has been offered, accepted, or promised by any employees of your organization.

SIGNATURE OF CONTRACTOR

S. T. Wooten Corporation

Full name of Corporation

P O Box 2408; Wilson, NC 27894

Address as Prequalified

Attest


Secretary/Assistant Secretary
Select appropriate title

By


President/Vice President/Assistant Vice President
Select appropriate title

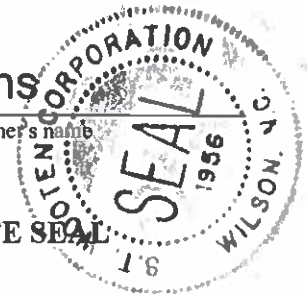
Andy Barry

Print or type Signer's name

Jonathan Bivens

Print or type Signer's name

CORPORATE SEAL



DEBARMENT CERTIFICATION

Conditions for certification:

1. The prequalified bidder shall provide immediate written notice to the Department if at any time the bidder learns that his certification was erroneous when he submitted his debarment certification or explanation filed with the Department, or has become erroneous because of changed circumstances.
2. The terms *covered transaction, debarred, suspended, ineligible, lower tier covered transaction, participant, person, primary covered transaction, principal, proposal, and voluntarily excluded*, as used in this provision, have the meanings set out in the Definitions and Coverage sections of the rules implementing Executive Order 12549. A copy of the Federal Rules requiring this certification and detailing the definitions and coverages may be obtained from the Contract Officer of the Department.
3. The prequalified bidder agrees by submitting this form, that he will not knowingly enter into any lower tier covered transaction with a person who is debarred, suspended, declared ineligible, or voluntarily excluded from participation in NCDOT contracts, unless authorized by the Department.
4. For Federal Aid projects, the prequalified bidder further agrees that by submitting this form he will include the Federal-Aid Provision titled *Required Contract Provisions Federal-Aid Construction Contract (Form FHWA PR 1273)* provided by the Department, without subsequent modification, in all lower tier covered transactions.
5. The prequalified bidder may rely upon a certification of a participant in a lower tier covered transaction that he is not debarred, suspended, ineligible, or voluntarily excluded from the covered transaction, unless he knows that the certification is erroneous. The bidder may decide the method and frequency by which he will determine the eligibility of his subcontractors.
6. Nothing contained in the foregoing shall be construed to require establishment of a system of records in order to render in good faith the certification required by this provision. The knowledge and information of a participant is not required to exceed that which is normally possessed by a prudent person in the ordinary course of business dealings.
7. Except as authorized in paragraph 6 herein, the Department may terminate any contract if the bidder knowingly enters into a lower tier covered transaction with a person who is suspended, debarred, ineligible, or voluntarily excluded from participation in this transaction, in addition to other remedies available by the Federal Government.

DEBARMENT CERTIFICATION

The prequalified bidder certifies to the best of his knowledge and belief, that he and his principals:

- a. Are not presently debarred, suspended, proposed for debarment, declared ineligible, or voluntarily excluded from covered transactions by any Federal department or agency;
- b. Have not within a three-year period preceding this proposal been convicted of or had a civil judgment rendered against them for commission of fraud or a criminal offense in connection with obtaining, attempting to obtain, or performing a public (Federal, State or local) transaction or contract under a public transaction; violation of Federal or State antitrust statutes or commission of embezzlement, theft, forgery, bribery, falsification or destruction of records; making false statements; or receiving stolen property;
- c. Are not presently indicted for or otherwise criminally or civilly charged by a governmental entity (Federal, State or local) with commission of any of the offenses enumerated in paragraph b. of this certification; and
- d. Have not within a three-year period preceding this proposal had one or more public transactions (Federal, State or local) terminated for cause or default.
- e. Will submit a revised Debarment Certification immediately if his status changes and will show in his bid proposal an explanation for the change in status.

If the prequalified bidder cannot certify that he is not debarred, he shall provide an explanation with this submittal. An explanation will not necessarily result in denial of participation in a contract.

Failure to submit a non-collusion and debarment certification will result in the prequalified bidder's bid being considered non-responsive.

Check here if an explanation is attached to this certification.

Contract No. **C204339**

County (ies): **Wake**

ACCEPTED BY THE
DEPARTMENT OF TRANSPORTATION

Signed by:

Ronald E. Davenport, Jr.

52C46046381F443...

Contract Officer

11/04/2024

Date

Execution of Contract and Bonds
Approved as to Form:

Signed by:

Colin Justice

1889E4C5ADF14AE...

Attorney General

11/04/2024

Date

Signature Sheet (Bid - Acceptance by Department)

Contract No. C204339
County Wake

Bond No. 9447056

CONTRACT PAYMENT BOND

Date of Payment Bond Execution October 29, 2024

Name of Principal Contractor S. T. Wooten Corporation
Fidelity and Deposit Company of Maryland
Zurich American Insurance Company
Attn: Surety Claims
1299 Zurich Way
Schaumburg, IL 60196-1056

Name of Surety: Schaumburg, IL 60196-1056

Name of Contracting Body: **North Carolina Department of Transportation**
Raleigh, North Carolina

Amount of Bond: \$19,633,990.17

Contract ID No.: C204339

County Name: Wake

KNOW ALL MEN BY THESE PRESENTS, That we, the PRINCIPAL CONTRACTOR (hereafter, PRINCIPAL) and SURETY above named, are held and firmly bound unto the above named Contracting Body, hereinafter called the Contracting Body, in the penal sum of the amount stated above for the payment of which sum well and truly to be made, we bind ourselves, our heirs, executors, administrators, and successors, jointly and severally, firmly by these presents.

THE CONDITION OF THIS OBLIGATION IS SUCH, that whereas the principal entered into a certain contract with the Contracting Body, numbered as shown above and hereto attached:

NOW THEREFORE, if the principal shall promptly make payment to all persons supplying labor and material in the prosecution of the work provided for in said contract, and any and all duly authorized modifications of said contract that may hereafter be made, notice of which modifications to the surety being hereby waived, then this obligation to be void; otherwise to remain in full force and virtue.

IN WITNESS WHEREOF, the above-bound parties have executed this instrument under their several seals on the date indicated above, the name and corporate seal of each corporate party being hereto affixed and these presents duly signed by its undersigned representative, pursuant to authority of its governing body.

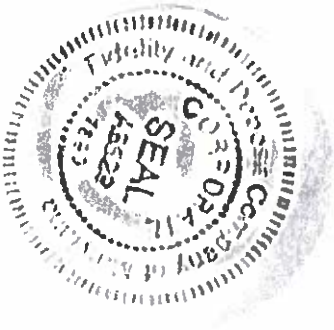
Contract No. C204339
County Wake

Rev 5-17-11

CONTRACT PAYMENT BOND

Affix Seal of Surety Company

Fidelity and Deposit Company of Maryland
Zurich American Insurance Company
Print or type Surety Company Name



By Michelle S. Isola, Attorney-in-Fact
Print, stamp or type name of Attorney-in-Fact

Michelle S. Isola
Signature of Attorney-in-Fact

Leah E. Farnsworth
Signature of Witness

Leah E. Farnsworth
Print or type Signer's Name

Marsh & McLennan Agency LLC
5605 Carnegie Blvd., Suite 300
Charlotte, NC 28209
Address of Attorney-in-Fact

Contract No. C204339
County Wake

CONTRACT PAYMENT BOND

CORPORATION

SIGNATURE OF CONTRACTOR (Principal)

S. T. Wooten Corporation

Full name of Corporation

Post Office Box 2408; Wilson, North Carolina 27894-2408

Address as prequalified

By: _____

Jonathan Bivens

Signature of **Vice President**
Select appropriate title

Jonathan Bivens
Print or type Signer's name

Affix Corporate Seal



Attest _____

Andy Barry

Signature of ~~Secretary~~ **Assistant Secretary**
Select appropriate title

Andy Barry
Print or type Signer's name

Contract No. C204339
County Wake

Bond No. 9447056

CONTRACT PERFORMANCE BOND

Date of Performance Bond Execution: October 29, 2024

Name of Principal Contractor: S. T. Wooten Corporation
Fidelity and Deposit Company of Maryland
Zurich American Insurance Company
Attn: Surety Claims
1299 Zurich Way
Schaumburg, IL 60196-1056

Name of Surety: Schaumburg, IL 60196-1056

Name of Contracting Body: **North Carolina Department of Transportation**
Raleigh, North Carolina

Amount of Bond: \$19,633,990.17

Contract ID No.: C204339

County Name: Wake

KNOW ALL MEN BY THESE PRESENTS, That we, the PRINCIPAL CONTRACTOR (hereafter, PRINCIPAL) and SURETY above named, are held and firmly bound unto the above named Contracting Body, hereinafter called the Contracting Body, in the penal sum of the amount stated above for the payment of which sum well and truly to be made, we bind ourselves, our heirs, executors, administrators, and successors, jointly and severally, firmly by these presents.

THE CONDITION OF THIS OBLIGATION IS SUCH that whereas the principal entered into a certain contract with the Contracting Body, numbered as shown above and hereto attached:

NOW THEREFORE, if the principal shall well and truly perform and fulfill all the undertakings, covenants, terms, conditions, and agreements of said contract during the original term of said contract and any extensions thereof that may be granted by the Contracting Body, with or without notice to the Surety, and during the life of any guaranty required under the contract, and shall also well and truly perform and fulfill all the undertakings, covenants, terms, conditions, and agreements of any and all duly authorized modifications of said contract that may hereafter be made, notice of which modifications to the surety being hereby waived, then this obligation to be void; otherwise to remain in full force and virtue.

IN WITNESS WHEREOF, the above-bound parties have executed this instrument under their several seals on the date indicated above, the name and corporate seal of each corporate party being hereto affixed and these presents duly signed by it undersigned representative, pursuant to authority of its governing body.

Contract No. C204339
County Wake

CONTRACT PERFORMANCE BOND

Affix Seal of Surety Company

Fidelity and Deposit Company of Maryland
Zurich American Insurance Company
Print or type Surety Company Name

By Michelle S. Isola, Attorney-in-Fact
Print, stamp or type name of Attorney-in-Fact



Michelle S. Isola

Signature of Attorney-in-Fact

Leah E. Farnsworth
Signature of witness

Leah E. Farnsworth
Print or type Signer's Name

Marsh & McLennan Agency LLC
5605 Carnegie Blvd., Suite 300
Charlotte, NC 28209
Address of Attorney-in-Fact

Contract No. C204339
County Wake

**CONTRACT PERFORMANCE BOND
CORPORATION**

SIGNATURE OF CONTRACTOR (Principal)

S. T. Wooten Corporation

Full name of Corporation

Post Office Box 2408; Wilson, North Carolina 27894-2408

Address as prequalified

By: _____

[Handwritten Signature]

Signature of **Vice President**
Select appropriate title

Jonathan Bivens

Print or type Signer's name

Affix Corporate Seal



Attest _____

[Handwritten Signature]
Signature of **Secretary, Assistant Secretary**
Select appropriate title

Andy Barry
Print or type Signer's name

Bond Number: 9447056

Obligee: North Carolina Department of Transportation

**ZURICH AMERICAN INSURANCE COMPANY
COLONIAL AMERICAN CASUALTY AND SURETY COMPANY
FIDELITY AND DEPOSIT COMPANY OF MARYLAND
POWER OF ATTORNEY**

KNOW ALL MEN BY THESE PRESENTS: That the ZURICH AMERICAN INSURANCE COMPANY, a corporation of the State of New York, the COLONIAL AMERICAN CASUALTY AND SURETY COMPANY, a corporation of the State of Illinois, and the FIDELITY AND DEPOSIT COMPANY OF MARYLAND a corporation of the State of Illinois (herein collectively called the "Companies"), by Robert D. Murray, Vice President, in pursuance of authority granted by Article V, Section 8, of the By-Laws of said Companies, which are set forth on the reverse side hereof and are hereby certified to be in full force and effect on the date hereof, do hereby nominate, constitute, and appoint **Michelle S Isola**, its true and lawful agent and Attorney-in-Fact, to make, execute, seal and deliver, for, and on its behalf as surety, and as its act and deed: **any and all bonds and undertakings**, and the execution of such bonds or undertakings in pursuance of these presents, shall be as binding upon said Companies, as fully and amply, to all intents and purposes, as if they had been duly executed and acknowledged by the regularly elected officers of the ZURICH AMERICAN INSURANCE COMPANY at its office in New York, New York., the regularly elected officers of the COLONIAL AMERICAN CASUALTY AND SURETY COMPANY at its office in Owings Mills, Maryland., and the regularly elected officers of the FIDELITY AND DEPOSIT COMPANY OF MARYLAND at its office in Owings Mills, Maryland., in their own proper persons.

The said Vice President does hereby certify that the extract set forth on the reverse side hereof is a true copy of Article V, Section 8, of the By-Laws of said Companies, and is now in force.

IN WITNESS WHEREOF, the said Vice-President has hereunto subscribed his/her names and affixed the Corporate Seals of the said ZURICH AMERICAN INSURANCE COMPANY, COLONIAL AMERICAN CASUALTY AND SURETY COMPANY, and FIDELITY AND DEPOSIT COMPANY OF MARYLAND, this 10th day of October, A.D. 2023.



ATTEST:
ZURICH AMERICAN INSURANCE COMPANY
COLONIAL AMERICAN CASUALTY AND SURETY COMPANY
FIDELITY AND DEPOSIT COMPANY OF MARYLAND

By: *Robert D. Murray*
Vice President

By: *Dawn E. Brown*
Secretary

State of Maryland
County of Baltimore

On this 10th day of October, A.D. 2023, before the subscriber, a Notary Public of the State of Maryland, duly commissioned and qualified, Robert D. Murray, Vice President and Dawn E. Brown, Secretary of the Companies, to me personally known to be the individuals and officers described in and who executed the preceding instrument, and acknowledged the execution of same, and being by me duly sworn, deposed and saith, that he/she is the said officer of the Company aforesaid, and that the seals affixed to the preceding instrument are the Corporate Seals of said Companies, and that the said Corporate Seals and the signature as such officer were duly affixed and subscribed to the said instrument by the authority and direction of the said Corporations

IN TESTIMONY WHEREOF, I have hereunto set my hand and affixed my Official Seal the day and year first above written.

Genevieve M. Maison



Authenticity of this bond can be confirmed at bondvalidator.zurichna.com or 410-559-8790

EXTRACT FROM BY-LAWS OF THE COMPANIES

"Article V, Section 8, Attorneys-in-Fact. The Chief Executive Officer, the President, or any Executive Vice President or Vice President may, by written instrument under the attested corporate seal, appoint attorneys-in-fact with authority to execute bonds, policies, recognizances, stipulations, undertakings, or other like instruments on behalf of the Company, and may authorize any officer or any such attorney-in-fact to affix the corporate seal thereto; and may with or without cause modify or revoke any such appointment or authority at any time."

CERTIFICATE

I, the undersigned, Vice President of the ZURICH AMERICAN INSURANCE COMPANY, the COLONIAL AMERICAN CASUALTY AND SURETY COMPANY, and the FIDELITY AND DEPOSIT COMPANY OF MARYLAND, do hereby certify that the foregoing Power of Attorney is still in full force and effect on the date of this certificate; and I do further certify that Article V, Section 8, of the By-Laws of the Companies is still in force.

This Power of Attorney and Certificate may be signed by facsimile under and by authority of the following resolution of the Board of Directors of the ZURICH AMERICAN INSURANCE COMPANY at a meeting duly called and held on the 15th day of December 1998.

RESOLVED: "That the signature of the President or a Vice President and the attesting signature of a Secretary or an Assistant Secretary and the Seal of the Company may be affixed by facsimile on any Power of Attorney...Any such Power or any certificate thereof bearing such facsimile signature and seal shall be valid and binding on the Company."

This Power of Attorney and Certificate may be signed by facsimile under and by authority of the following resolution of the Board of Directors of the COLONIAL AMERICAN CASUALTY AND SURETY COMPANY at a meeting duly called and held on the 5th day of May, 1994, and the following resolution of the Board of Directors of the FIDELITY AND DEPOSIT COMPANY OF MARYLAND at a meeting duly called and held on the 10th day of May, 1990.

RESOLVED: "That the facsimile or mechanically reproduced seal of the company and facsimile or mechanically reproduced signature of any Vice-President, Secretary, or Assistant Secretary of the Company, whether made heretofore or hereafter, wherever appearing upon a certified copy of any power of attorney issued by the Company, shall be valid and binding upon the Company with the same force and effect as though manually affixed.

IN TESTIMONY WHEREOF, I have hereunto subscribed my name and affixed the corporate seals of the said Companies, this 29th day of October, 2024.



MJ Pethick

By: Mary Jean Pethick
Vice President

TO REPORT A CLAIM WITH REGARD TO A SURETY BOND, PLEASE SUBMIT A COMPLETE DESCRIPTION OF THE CLAIM INCLUDING THE PRINCIPAL ON THE BOND, THE BOND NUMBER, AND YOUR CONTACT INFORMATION TO:

Zurich Surety Claims
1299 Zurich Way
Schaumburg, IL 60196-1056
reportsfclaims@zurichna.com
800-626-4577

Authenticity of this bond can be confirmed at bondvalidator.zurichna.com or 410-559-8790

