

# US 17 BYP & SR 1001 Interchange Approx. 7.271 Acres





# US 17 BYP & SR 1300 Overpass Approx. 0.218 Acres





# US 13 & US 17 Interchange Approx. 2.001 Acres





Milepost From/To	Length	NB/SB	Median/Shoulder	O/S EOP	Width	Ave Width	Acres	Comments
216.24					18			
	316.8	NB	Shoulder	5		18	0.131	Compost Seed Only
216.30					18			
216.85					18			
	1320	NB	Shoulder	6		18	0.545	Compost Seed Only
217.10					18			
217.15					18			
	1056	NB	Shoulder	5		18	0.436	Compost Seed Only
217.35					18			
217.40					18			
	1161.6	NB	Shoulder	6		18	0.480	Compost Seed Only
217.62					18			
218.75					18			
	264	NB	Shoulder	5		18	0.109	Compost Seed & Grading
218.80					18			
218.80					18			
	1056	NB	Shoulder	6		18	0.436	Compost Seed Only
219.00					18			
219.51					18			
	1108.8	NB	Shoulder	6		18	0.458	Compost Seed & Grading
219.72					18			

Milepost From/To	Length	NB/SB	Median/Shoulder	O/S EOP	Width	Ave Width	Acres	Comments
219.95					18			
	369.6	NB	Shoulder	6		18	0.153	Compost Seed Only
220.02					18			
220.58					18			
	422.4	NB	Shoulder	6		18	0.175	Compost Seed Only
220.66					18			
221.00					20			
	1056	SB	Shoulder	5		20	0.485	Compost Seed & Grading
220.80					20			
220.52					20			
	897.6	SB	Shoulder	6		20	0.412	Compost Seed & Grading
220.35					20			
220.30					20			
	369.6	SB	Shoulder	6		20	0.170	Compost Seed Only
220.23					20			
220.20					20			
	4488	SB	Shoulder	6		20	2.061	Compost Seed & Grading
219.35					20			
219.27					20			
	1161.6	SB	Shoulder	6		20	0.533	Compost Seed Only
219.05					20			

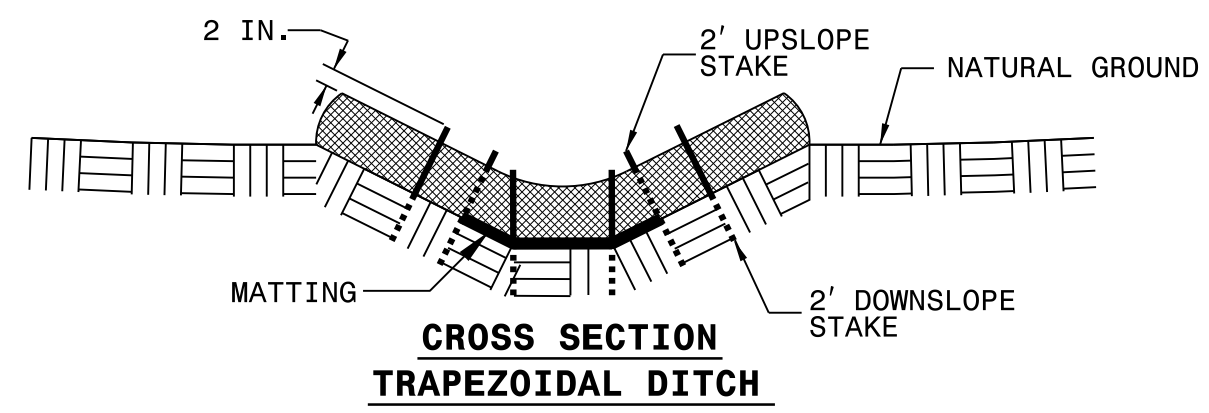
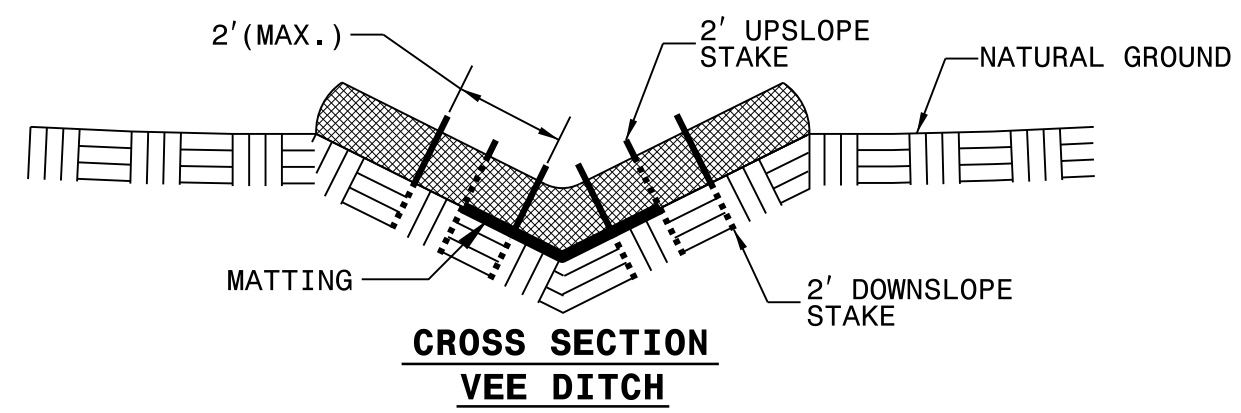
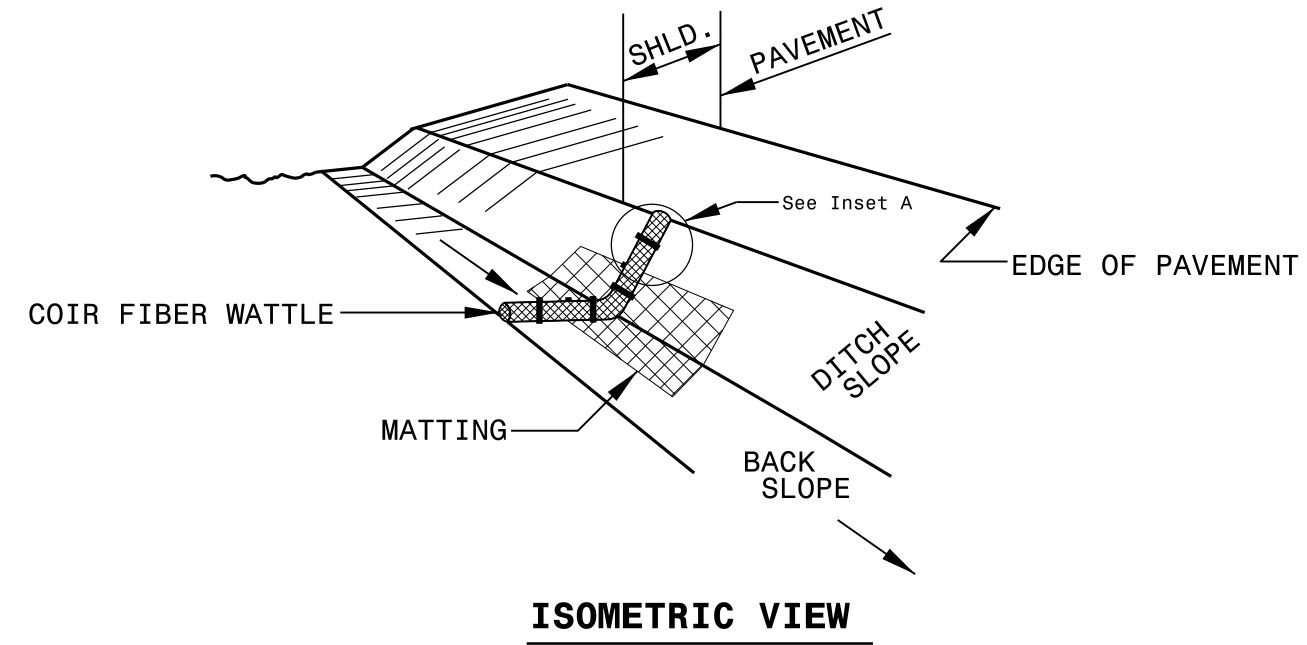
Milepost From/To	Length	NB/SB	Median/Shoulder	O/S EOP	Width	Ave Width	Acres	Comments
219.02					30			
	264	SB	Shoulder	6		30	0.182	Compost Seed & Grading
218.97					30			
218.83					18			
	158.4	SB	Shoulder	5		18	0.065	Compost Seed & Grading
218.80					18			
218.73					18			
	475.2	SB	Shoulder	5		18	0.196	Compost Seed & Grading
218.64					18			
218.43					18			
	316.8	SB	Shoulder	5		18	0.131	Compost Seed & Grading
218.37					18			
218.29					18			
	4910.4	SB	Shoulder	6		18	2.029	Compost Seed & Grading
217.36					18			
217.26					18			
	1478.4	SB	Shoulder	5		18	0.611	Compost Seed & Grading
216.98					18			
216.90					18			
	422.4	SB	Shoulder	5		18	0.175	Compost Seed Only
216.82					18			

Milepost From/To	Length	NB/SB	Median/Shoulder	O/S EOP	Width	Ave Width	Acres	Comments
215.78					18			
	105.6	SB	Shoulder	4		18	0.044	Compost Seed & Grading
215.76					18			
Compost Seeding Only Total							3.234	
Compost Seeding & Grading Total							6.783	

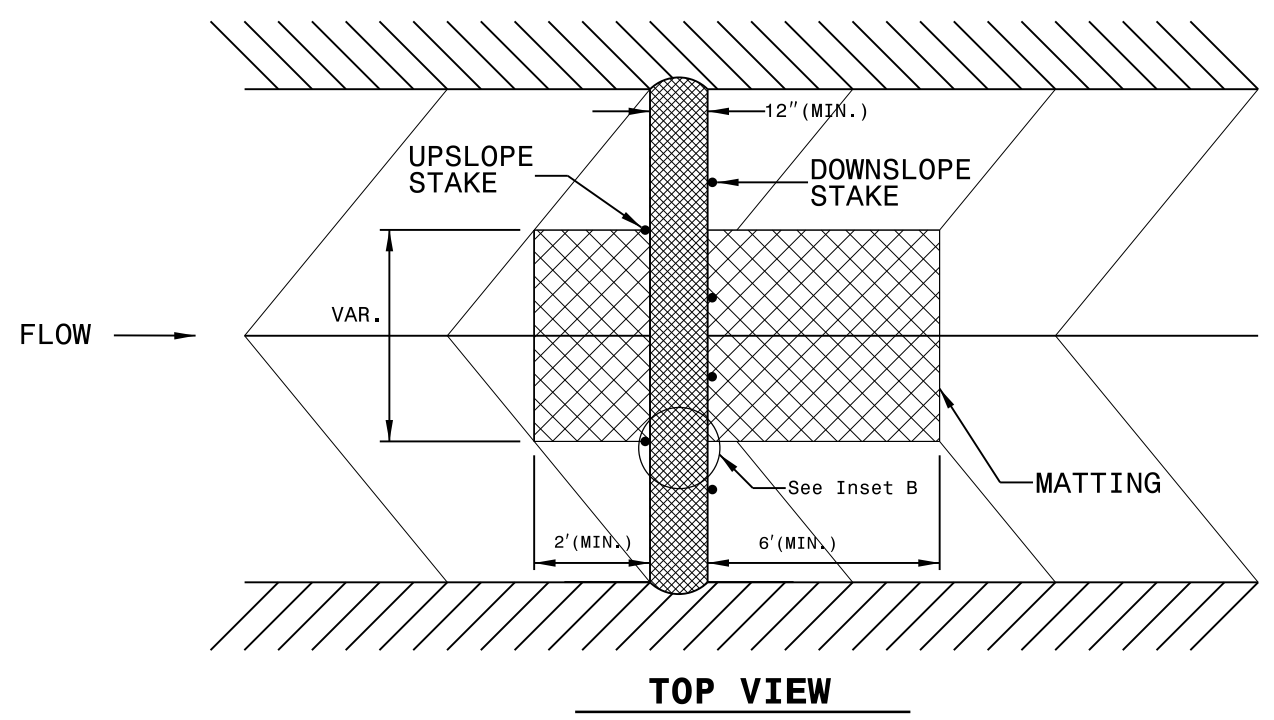
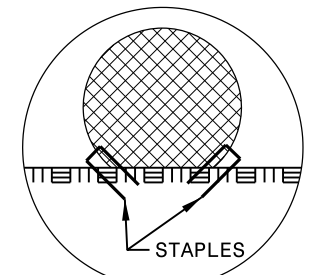
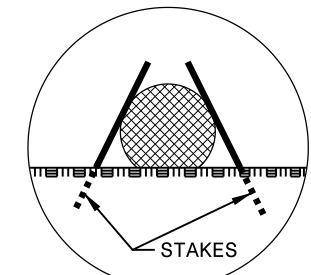


PROJECT REFERENCE NO. 17BPJ.R.7	SHEET NO. 22 OF 25
RW SHEET NO.	
ROADWAY DESIGN ENGINEER	HYDRAULICS ENGINEER

# COIR FIBER WATTLE DETAIL



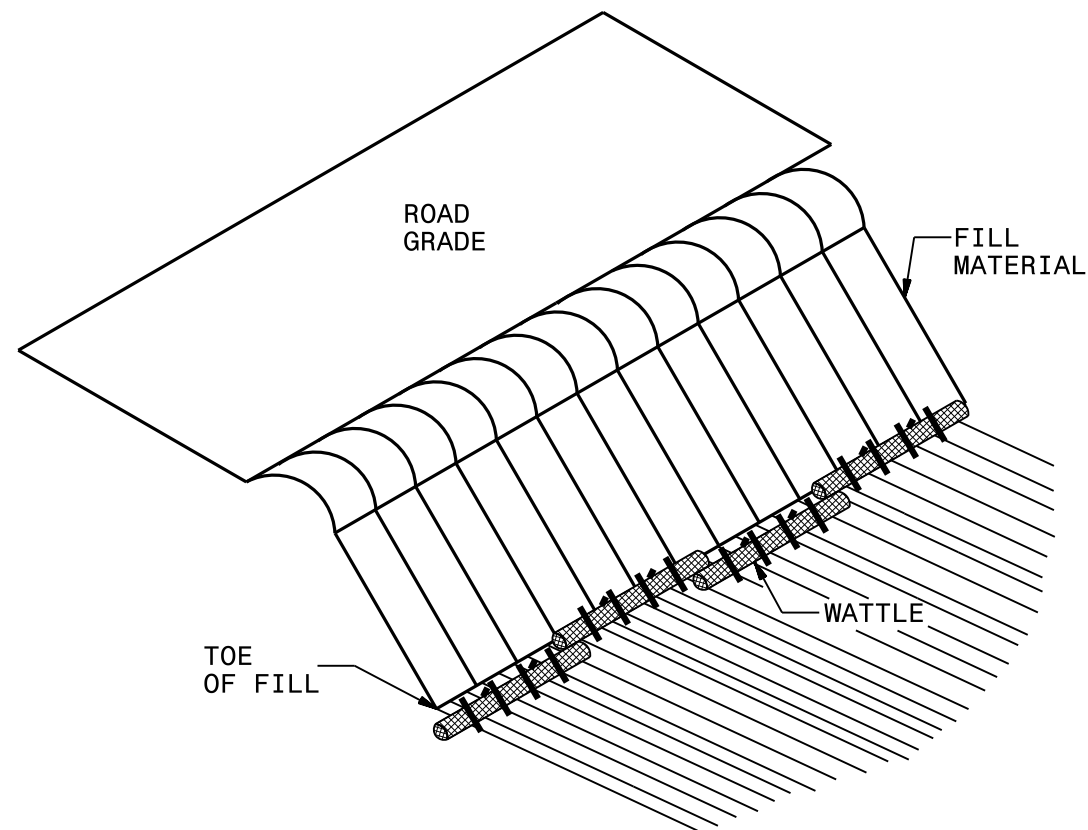
- NOTES:
- USE MINIMUM 12 IN. DIAMETER COIR FIBER (COCONUT FIBER) WATTLE.
  - USE 2 FT. WOODEN STAKES WITH A 2 IN. BY 2 IN. NOMINAL CROSS SECTION.
  - ONLY INSTALL WATTLE(S) TO A HEIGHT IN DITCH SO FLOW WILL NOT WASH AROUND WATTLE AND SCOUR DITCH SLOPES AND AS DIRECTED.
  - INSTALL A MINIMUM OF 2 UPSLOPE STAKES AND 4 DOWNSLOPE STAKES AT AN ANGLE TO WEDGE WATTLE TO BOTTOM OF DITCH.
  - PROVIDE STAPLES MADE OF 0.125 IN. DIAMETER STEEL WIRE FORMED INTO A U SHAPE NOT LESS THAN 12" IN LENGTH.
  - INSTALL STAPLES APPROXIMATELY EVERY 1 LINEAR FOOT ON BOTH SIDES OF WATTLE AND AT EACH END TO SECURE IT TO THE SOIL.
  - INSTALL MATTING IN ACCORDANCE WITH SECTION 1631 OF THE STANDARD SPECIFICATIONS.



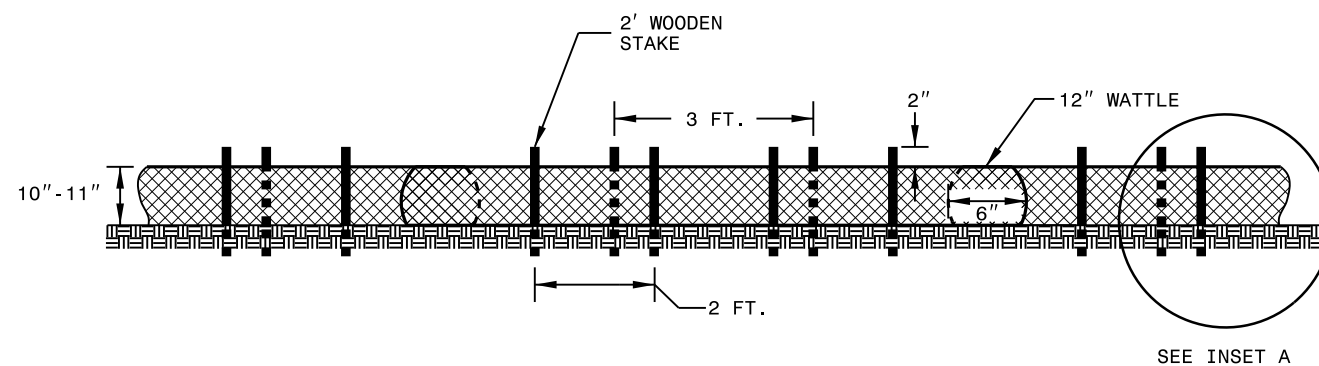


PROJECT REFERENCE NO. <i>17BPJ.R.7</i>	SHEET NO. <i>23 OF 25</i>
RW SHEET NO.	
ROADWAY DESIGN ENGINEER	HYDRAULICS ENGINEER

# COIR FIBER WATTLE BARRIER DETAIL

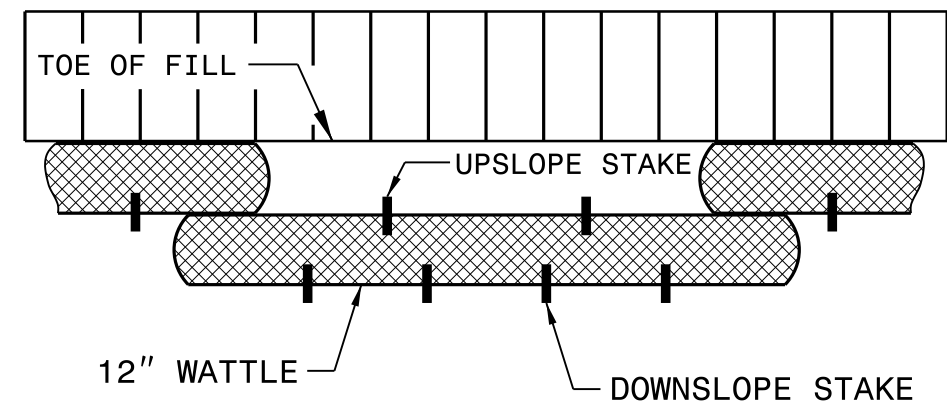
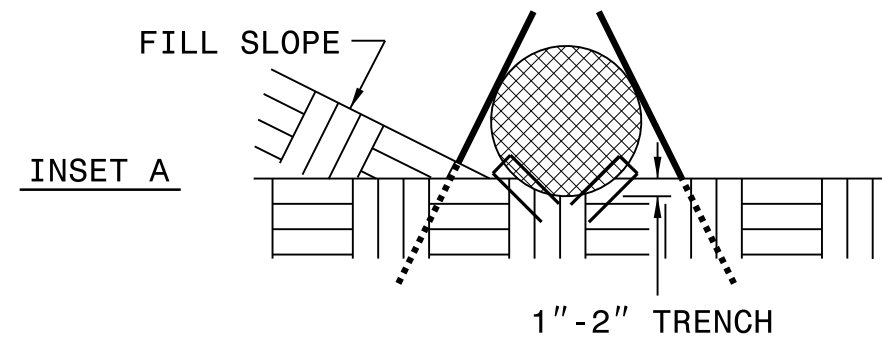


**ISOMETRIC VIEW**



**FRONT VIEW**

- NOTES:**
- USE MINIMUM 12 IN. DIAMETER COIR FIBER (COCONUT) WATTLE AND LENGTH OF 10 FT.
  - EXCAVATE A 1 TO 2 INCH TRENCH FOR WATTLE TO BE PLACED.
  - DO NOT PLACE WATTLES ON TOE OF SLOPE.
  - USE 2 FT. WOODEN STAKES WITH A 2 IN. BY 2 IN. NOMINAL CROSS SECTION.
  - INSTALL A MINIMUM OF 2 UPSLOPE STAKES AND 4 DOWNSLOPE STAKES AT AN ANGLE TO WEDGE WATTLE TO GROUND.
  - PROVIDE STAPLES MADE OF 0.125 IN. DIAMETER STEEL WIRE FORMED INTO A U SHAPE NOT LESS THAN 12" IN LENGTH.
  - INSTALL STAPLES APPROXIMATELY EVERY 1 LINEAR FOOT ON BOTH SIDES OF WATTLE AND AT EACH END TO SECURE IT TO THE SOIL.
  - FOR BREAKS ALONG LARGE SLOPES, USE MAXIMUM SPACING OF 20 FT.

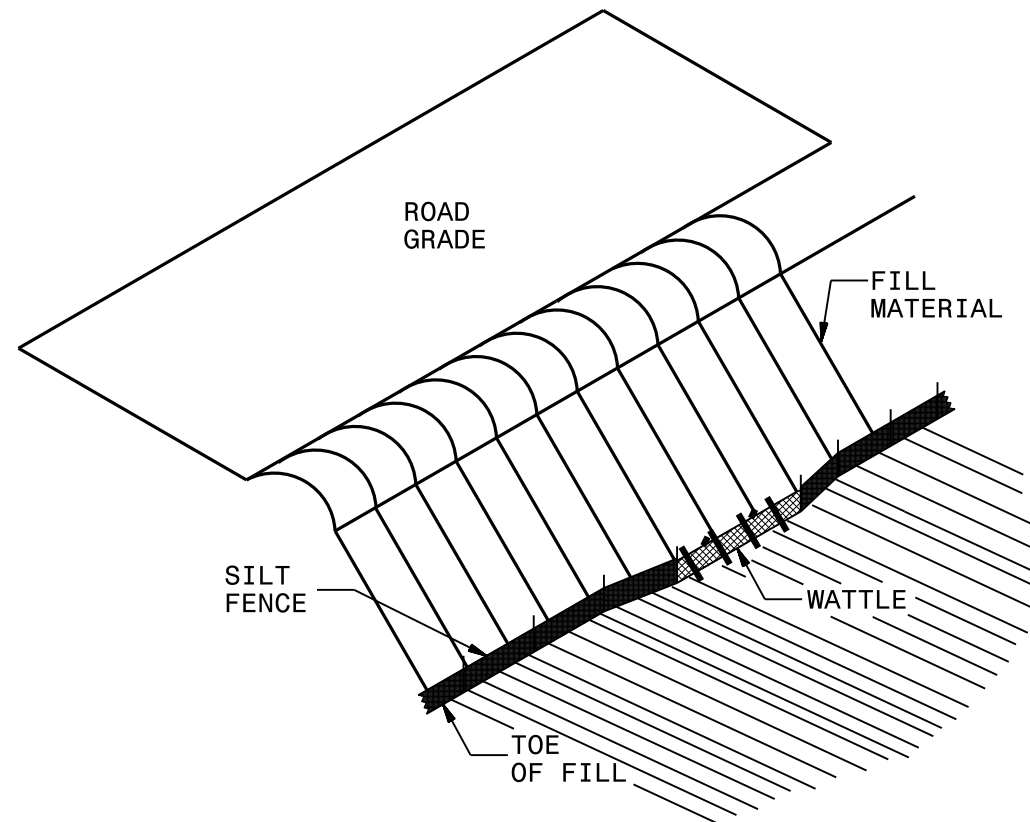


**TOP VIEW**

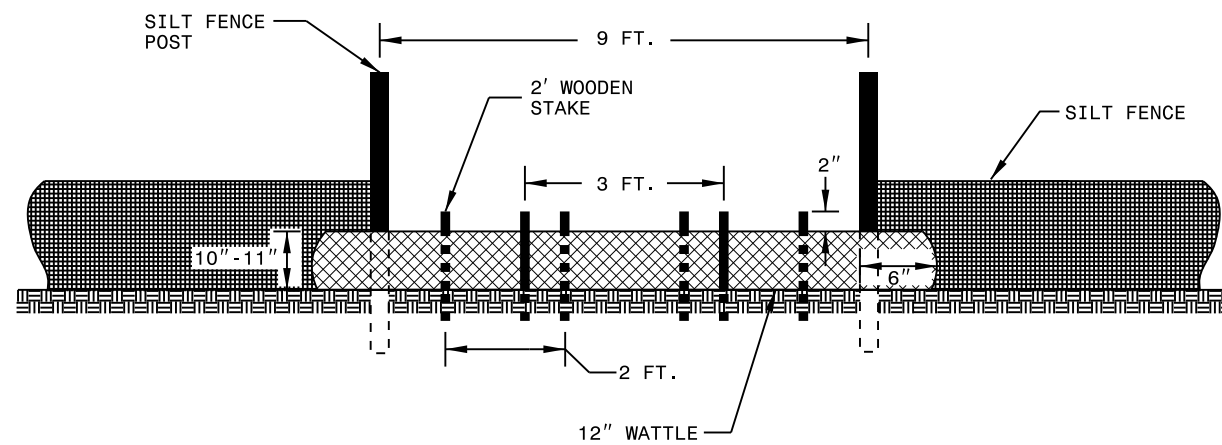


# SILT FENCE COIR FIBER WATTLE BREAK DETAIL

PROJECT REFERENCE NO. 17BPJ.R.7	SHEET NO. 24 OF 25
RW SHEET NO.	
ROADWAY DESIGN ENGINEER	HYDRAULICS ENGINEER



**ISOMETRIC VIEW**

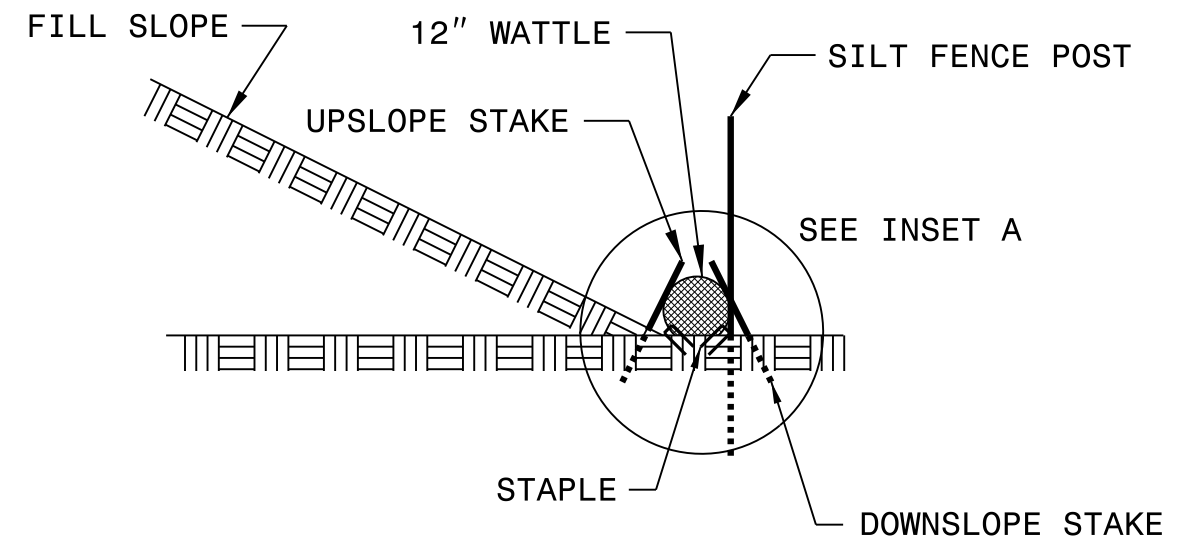
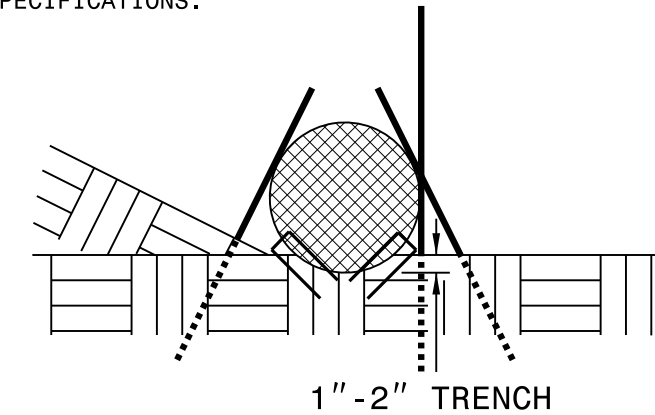


**VIEW FROM SLOPE**

**NOTES:**

- USE MINIMUM 12 IN. DIAMETER COIR FIBER (COCONUT FIBER) WATTLE AND LENGTH OF 10 FT.
- EXCAVATE A 1 TO 2 INCH TRENCH FOR WATTLE TO BE PLACED.
- DO NOT PLACE WATTLE ON TOE OF SLOPE.
- USE 2 FT. WOODEN STAKES WITH A 2 IN. BY 2 IN. NOMINAL CROSS SECTION.
- INSTALL A MINIMUM OF 2 UPSLOPE STAKES AND 4 DOWNSLOPE STAKES AT AN ANGLE TO WEDGE WATTLE TO GROUND.
- PROVIDE STAPLES MADE OF 0.125 IN. DIAMETER STEEL WIRE FORMED INTO A U SHAPE NOT LESS THAN 12" IN LENGTH.
- INSTALL STAPLES APPROXIMATELY EVERY 1 LINEAR FOOT ON BOTH SIDES OF WATTLE AND AT EACH END TO SECURE IT TO THE SOIL.
- WATTLE INSTALLATION CAN BE ON OUTSIDE OF THE SILT FENCE AS DIRECTED.
- INSTALL TEMPORARY SILT FENCE IN ACCORDANCE WITH SECTION 1605 OF THE STANDARD SPECIFICATIONS.

**INSET A**



**SIDE VIEW**