

09/08/99

CONTRACT #: DA00165 WBS ELEMENT: ICR.20371.36, ETC.

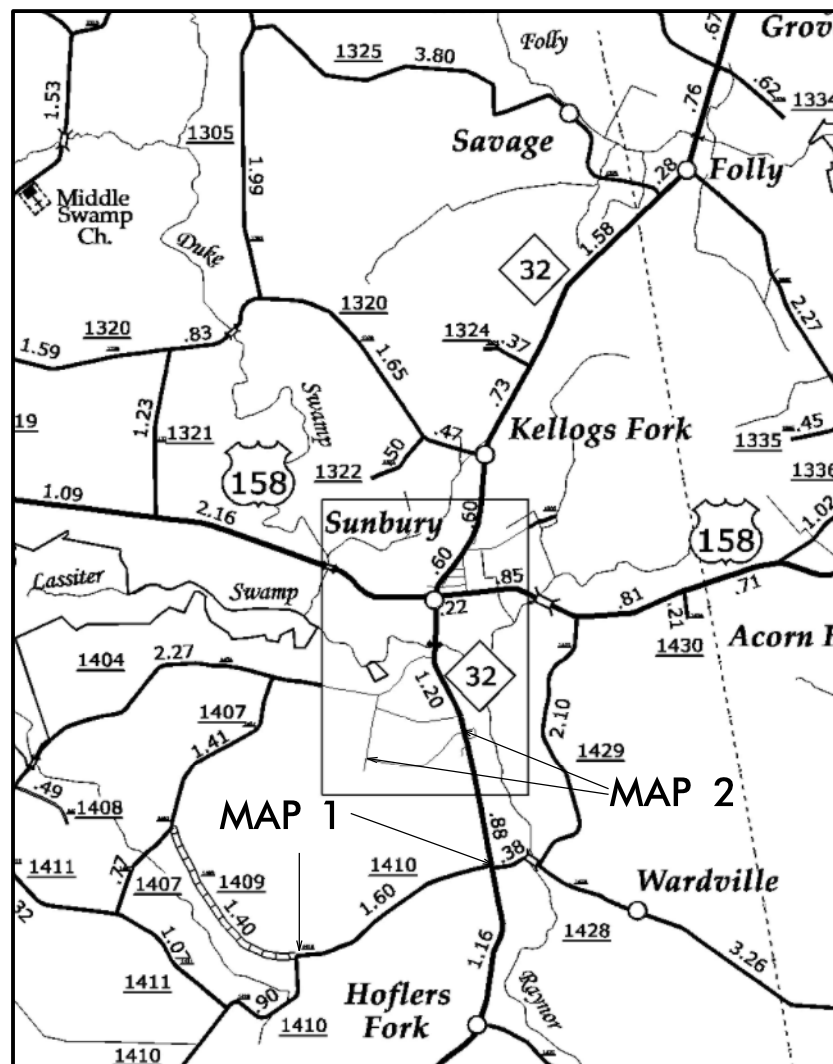
STATE OF NORTH CAROLINA
DIVISION OF HIGHWAYS

GATES COUNTY

LOCATION: MAP 1 (ZION RD.) SR.1410 FROM NC 32 TO SR.1409
MAP 2 (COOPER RD.) SR1406 FROM NC 32 TO SR 1405

TYPE OF WORK: RESURFACING & PAVEMENT MARKINGS

STATE	STATE PROJECT REFERENCE NO.	SHEET NO.	TOTAL SHEETS
N.C.	ICR.20371.36, ETC.	1	6
STATE PROJ. NO.	F.A. PROJ. NO.	DESCRIPTION	
ICR.20371.36		MAP 1	
ICR.20371.37		MAP 2	



NTS

PROJECT LENGTH	
LENGTH OF ROADWAY PROJECT MAP 1	1.60 MI.
LENGTH OF ROADWAY PROJECT MAP 2	.80 MI.

Prepared in the Office of:
DIVISION OF HIGHWAYS
113 Airport Dr., Edenton NC, 27932

2012 STANDARD SPECIFICATIONS

LETTING DATE: _____

W. B. HOBBS, P.E.
DIVISION PROJECT MANAGER

C. E. SLACHTA
DIVISION PROPOSALS ENGINEER

DIVISION OF HIGHWAYS
STATE OF NORTH CAROLINA

09/08/99

CONTRACT #: DA00165 WBS ELEMENT: 1CR.20371.36,ETC.

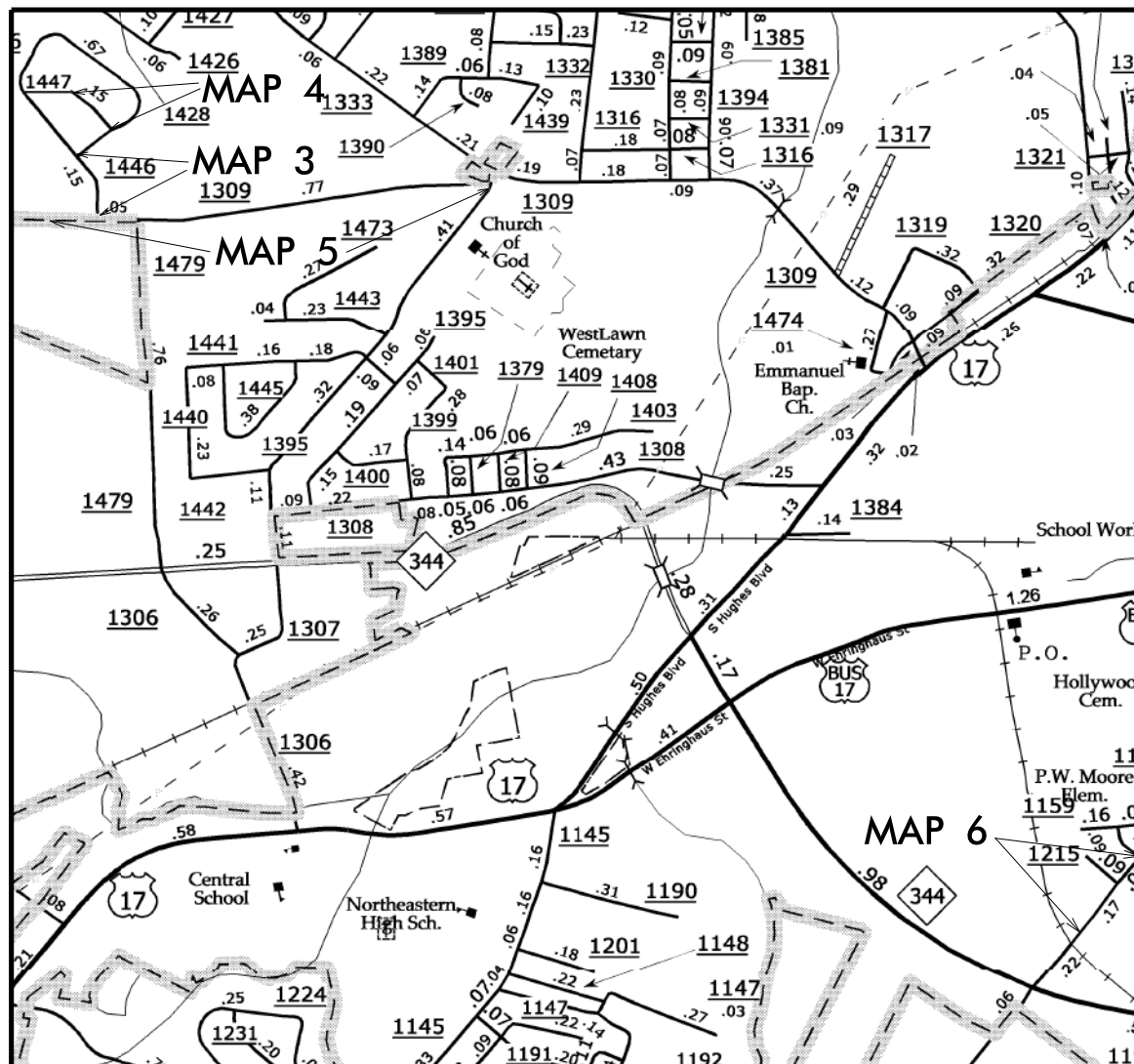
STATE OF NORTH CAROLINA
DIVISION OF HIGHWAYS

PASQUOTANK COUNTY

LOCATION: MAP 3 SR.1446 (AZALEA TRAIL) FROM SR.1309 TO SR.1446
MAP 4 SR.1447 (REID DR.) FROM SR.1446 TO DEAD END
MAP 5 SR.1309 (WELLFIELD RD.) FROM SR.1309 TO .93 MI.
MAP 6 SR.1139 (ROANOKE AVE.) 770' FROM NC 344 TO CARVER ST.

TYPE OF WORK: RESURFACING & PAVEMENT MARKINGS

STATE	STATE PROJECT REFERENCE NO.	SHEET NO.	TOTAL SHEETS
N.C.	1CR.20371.36,ETC.	2	6
STATE PROJ.NO.	F.A.PROJ.NO.	DESCRIPTION	
1CR.20701.81		MAP 3	
1CR.20701.82		MAP 4	
1CR.20701.83		MAP 5	
1CR.20701.84		MAP 6	



NTS

PROJECT LENGTH			
LENGTH OF ROADWAY PROJECT	MAP 3	0.93	MI.
LENGTH OF ROADWAY PROJECT	MAP 4	0.16	MI.
LENGTH OF ROADWAY PROJECT	MAP 5	0.93	MI.
LENGTH OF ROADWAY PROJECT	MAP 6	0.22	MI.

Prepared in the Office of:
DIVISION OF HIGHWAYS
 113 Airport Dr., Edenton NC, 27932

2012 STANDARD SPECIFICATIONS

LETTING DATE: _____

W. B. HOBBS, P.E.
 DIVISION PROJECT MANAGER

C. E. SLACHTA
 DIVISION PROPOSALS ENGINEER

DIVISION OF HIGHWAYS
 STATE OF NORTH CAROLINA

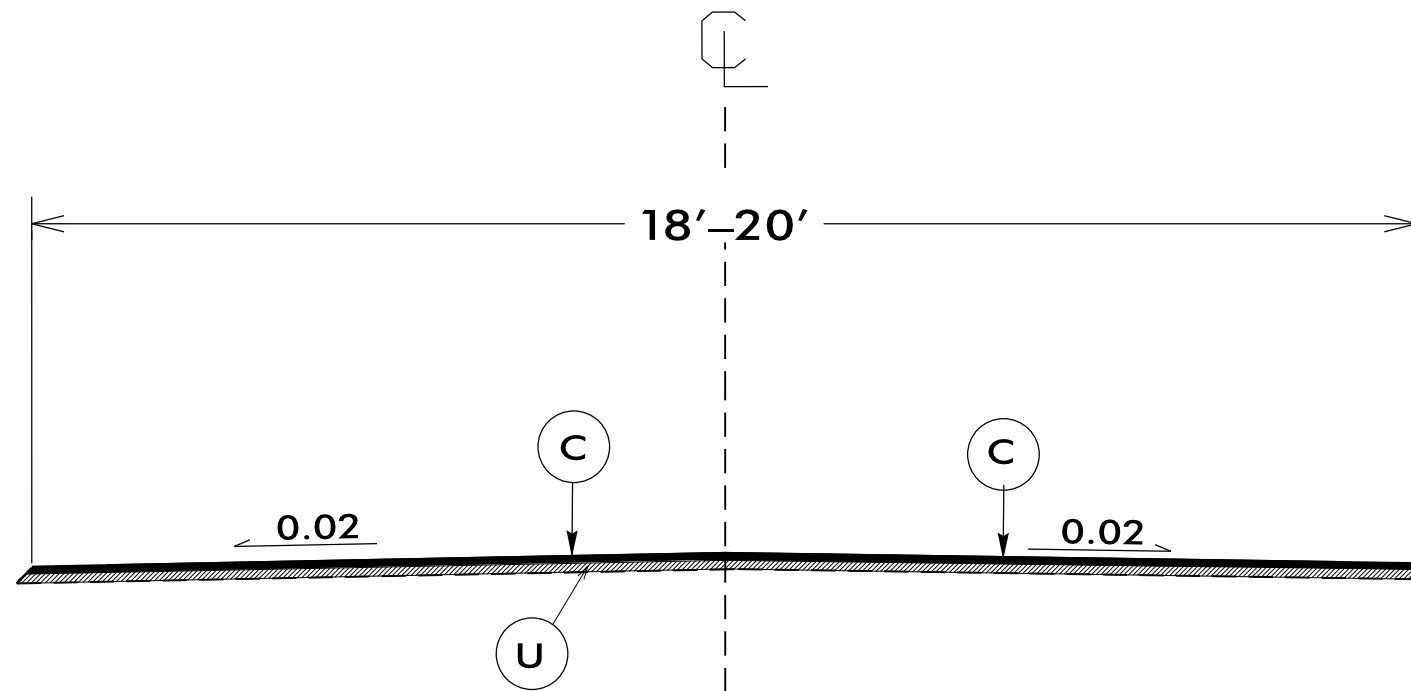
PAVEMENT SCHEDULE

C	PROP. APPROX. 1.5" ASPHALT CONCRETE SURFACE COURSE, TYPE SF9.5A, AT AN AVERAGE RATE OF 165 LBS. PER SQ. YD.
U	EXISTING PAVEMENT.

PROJECT REFERENCE NO.	SHEET NO.
1C.20371.36,ETC.	3

NOTES:

- *ALL PAVED S.R. ROADS TO BE RESURFACED TO THE ENDS OF THE RADI., OR AS DIRECTED BY THE ENGINEER
- *EDGES, PAVEMENT WIDENING, INTERSECTIONS, AND BRIDGE FLARES ARE INCLUDED IN THE TABLE OF QUANTITIES
- *PAVEMENT EDGE SLOPES ARE 1:1 UNLESS SHOWN OTHERWISE
- *SHOULDERS TO BE RECONSTRUCTED BY OTHERS



TYPICAL SECTION NO.1

USE WITH MAP 1,2,5

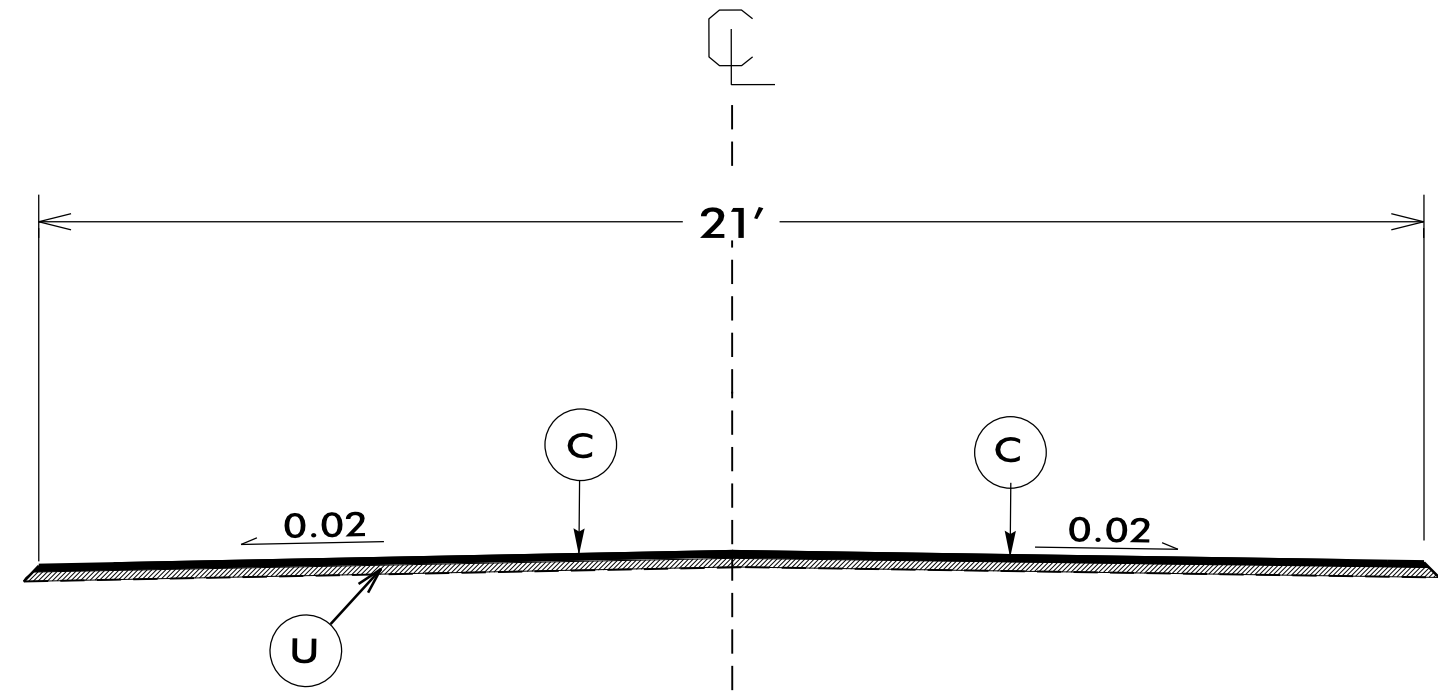
NTS

PAVEMENT SCHEDULE

C	PROP. APPROX. 1.0" ASPHALT CONCRETE SURFACE COURSE, TYPE S4.75A, AT AN AVERAGE RATE OF 100 LBS. PER SQ. YD.
U	EXISTING PAVEMENT.

NOTES:

- *ALL PAVED S.R. ROADS TO BE RESURFACED TO THE ENDS OF THE RADII., OR AS DIRECTED BY THE ENGINEER
- *EDGES, PAVEMENT WIDENING, INTERSECTIONS, AND BRIDGE FLARES ARE INCLUDED IN THE TABLE OF QUANTITIES
- *PAVEMENT EDGE SLOPES ARE 1:1 UNLESS SHOWN OTHERWISE
- *SHOULDERS TO BE RECONSTRUCTED BY OTHERS



TYPICAL SECTION NO.2

USE WITH MAP 3 & 4

NTS

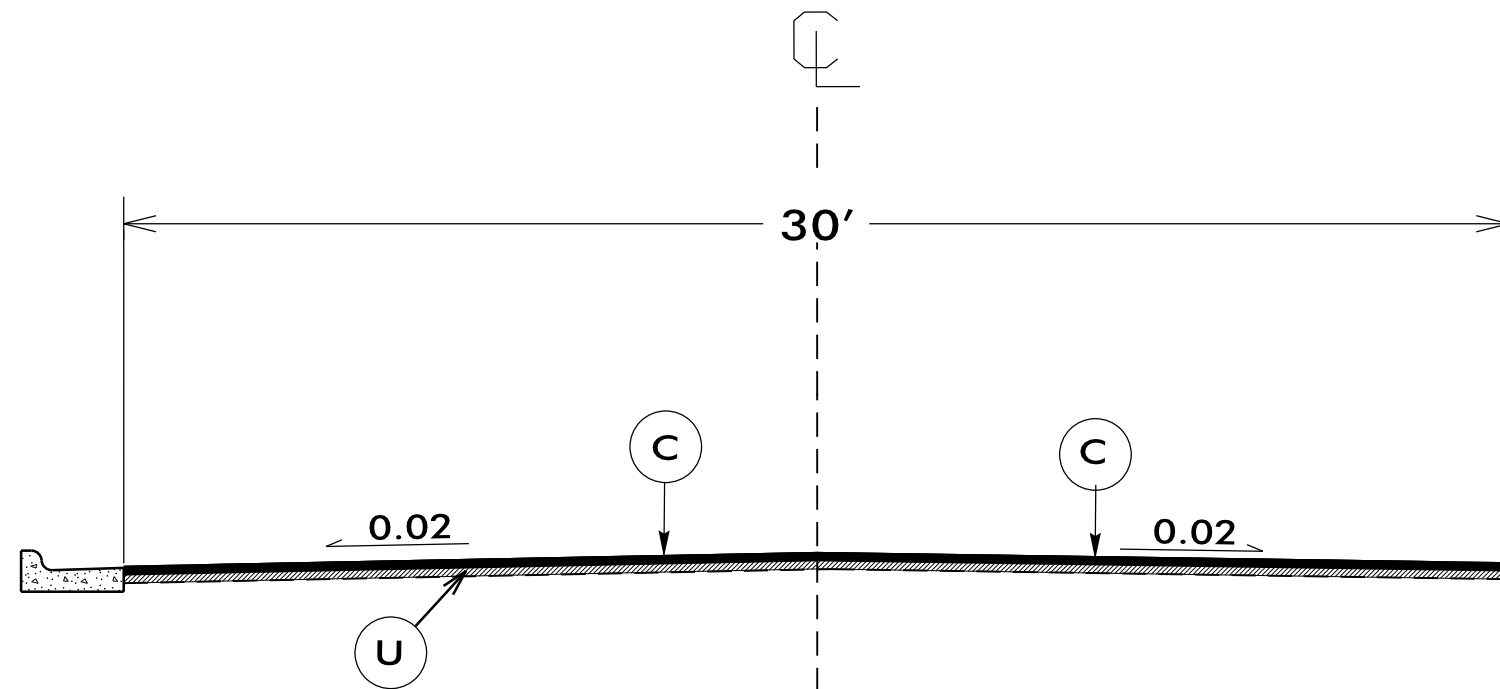
12-JUL-2013 10:02
 C:\Xcurrent\Projects\DIVISION PROJECT WORKING FILES\District One\DA00165 Gates & Pasquotank Resurfacing (2013\1) Pre-Bid Documents\996.LS.pln-pave.dgn

PAVEMENT SCHEDULE

C	PROP. APPROX. 1.5" ASPHALT CONCRETE SURFACE COURSE, TYPE SF9.5A AT AN AVERAGE RATE OF 165 LBS. PER SQ. YD.
U	EXISTING PAVEMENT.

NOTES:

- *ALL PAVED S.R. ROADS TO BE RESURFACED TO THE ENDS OF THE RADII., OR AS DIRECTED BY THE ENGINEER
- *EDGES, PAVEMENT WIDENING, INTERSECTIONS, AND BRIDGE FLARES ARE INCLUDED IN THE TABLE OF QUANTITIES
- *PAVEMENT EDGE SLOPES ARE 1:1 UNLESS SHOWN OTHERWISE
- *SHOULDERS TO BE RECONSTRUCTED BY OTHERS



TYPICAL SECTION NO.3

USE WITH MAP 6

NTS

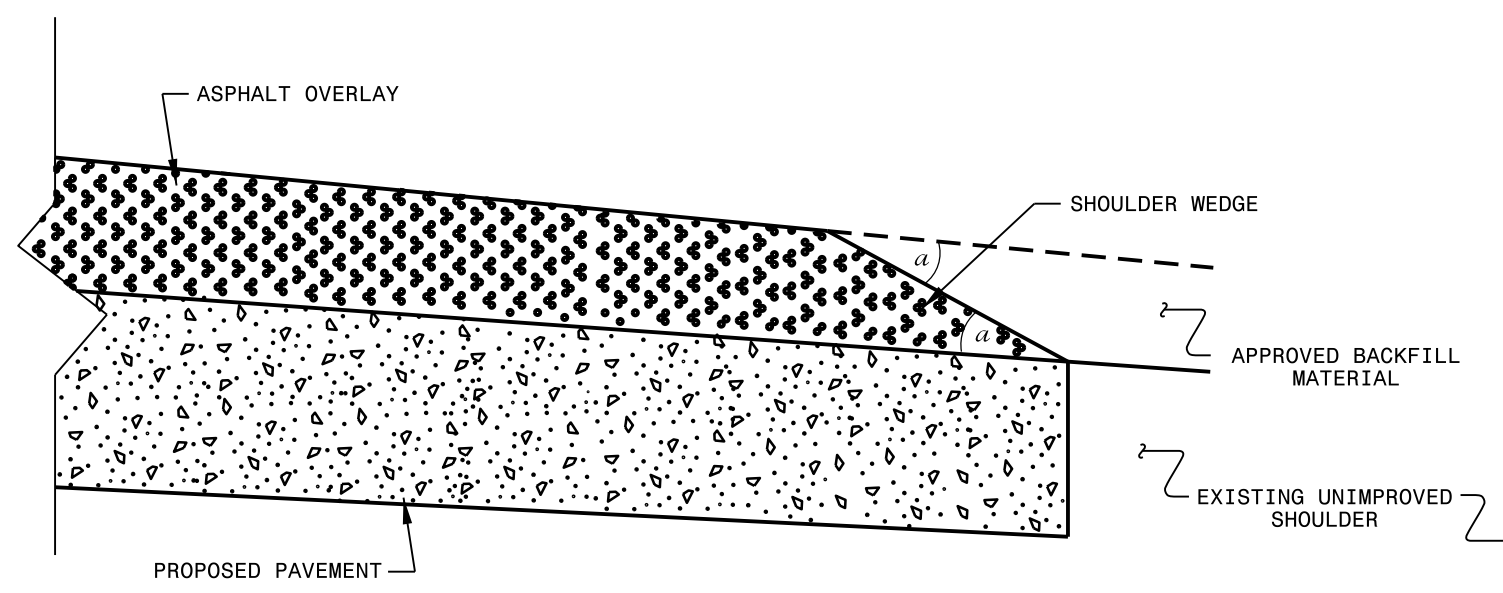
PROJECT NO.	SHEET NO.	TOTAL NO.
1CR.20371.36, ETC.	6	6

SUMMARY OF QUANTITIES

PROJECT NO	COUNTY	MAP NO	ROUTE	DESCRIPTION	TYP NO	LANES	LANE TYPE	FINAL SURFACE TESTING REQUIRED	WARM MIX ASPHALT REQUIRED	LENGTH MI	WIDTH FT	MOBILIZATION LS	INCIDENTAL STONE BASE TONS	SURFACE COURSE, SF9.5A TONS	SURFACE COURSE, S4.75A TONS	ASPHALT BINDER FOR PLANT MIX TONS	ADJ. OF MANHOLES EA	ADJ. OF METER OR VALVE BOX EA
1CR.20371.36	Gates	1	SR 1410	FROM NC 32 TO SR 1409	1	2	2WU	NO	NO	1.6	20	1	10	1,708		114		
1CR.20371.37	Gates	2	SR 1406	FROM NC 32 TO SR 1405	1	2	2WU	NO	NO	0.8	20	*	5	799		54		
1CR.20701.81	Pasquotank	3	SR 1446 AZALEA TRAIL	FROM SR 1309 TO SR 1446	2	2	2WU	NO	NO	0.93	21	*			604	41		1
1CR.20701.82	Pasquotank	4	SR 1447 REID DRIVE	FROM SR 1446 TO DEAD END	2	2	2WU	NO	NO	0.16	21	*			154	10		
1CR.20701.83	Pasquotank	5	SR 1309 WELLFIELD ROAD	FROM SR1309 TO .93 MILES NEW PAVEMENT	1	2	2WU	NO	NO	0.93	18	*	10	866		58		
1CR.20701.84	Pasquotank	6	SR 1139 ROANOKE AVE	FROM END OF 3 LANE TO END OF CURB AND GUTTER	3	2	2WU	NO	NO	0.22	30	*		331		22	4	2
GRAND TOTAL										4.64		1	25	3,704	758	299	4	3

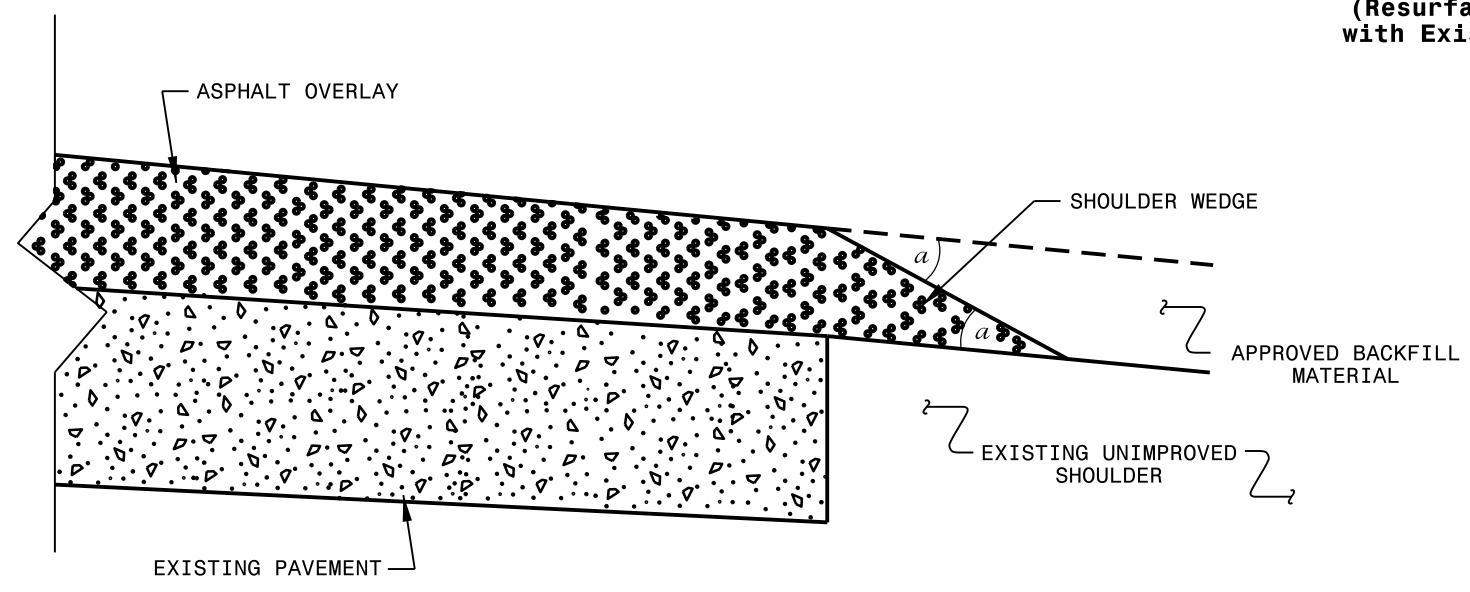
THERMOPLASTIC AND PAINT QUANTITIES

PROJECT NO	COUNTY	MAP NO	ROUTE	DESCRIPTION	TYP NO	LANES	LANE TYPE	LENGTH	WIDTH	TEMPORARY TRAFFIC CONTROL LS	4" WHITE PAINT LF	4" YELLOW PAINT LF
1CR.20371.36	Gates	1	SR 1410	FROM NC 32 TO SR 1409	1	2	2WU	1.6	20	1	17,000	11,000
1CR.20371.37	Gates	2	SR 1406	FROM NC 32 TO SR 1405	1	2	2WU	0.8	20	*	8,500	7,000
1CR.20701.81	Pasquotank	3	SR 1446 AZALEA TRAIL	FROM SR 1309 TO SR 1446	1	2	2WU	0.93	21	*		
1CR.20701.82	Pasquotank	4	SR 1447 REID DRIVE	FROM SR 1446 TO DEAD END		2	2WU	0.16	21	*		
1CR.20701.83	Pasquotank	5	SR 1309 WELLFIELD ROAD	FROM SR1309 TO .93 MILES NEW PAVEMENT	2	2	2WU	0.93	18	*	10,000	6,000
1CR.20701.84	Pasquotank	6	SR 1139 ROANOKE AVE	FROM END OF 3 LANE TO END OF CURB AND GUTTER	1	2	2WU	0.22	30	*	1,000	2,000
GRAND TOTAL								4.64		1	36,500	26,000
62,500												



SHOULDER WEDGE DETAIL

(Resurfacing Projects w/ Widening or with Existing Paved Shoulder > 2 ft.)



SHOULDER WEDGE DETAIL

(Resurfacing Projects w/ NO Widening)

- NOTES:
- 1) DETAIL DOES NOT APPLY TO OGAFB AND ULTRA-THIN BONDED WEARING COURSE.
 - 2) BACKFILL SHOULDER WITH APPROVED MATERIAL.
 - 3) THE SHOULDER WEDGE DEVICE MAY BE DISENGAGED AT PAVED DRIVEWAYS AND SIDE STREETS.

a - SHOULDER WEDGE ANGLE = 30°

CONTRACT STANDARDS AND DEVELOPMENT UNIT	
Office 919-707-6950 FAX 919-250-4119	
SHOULDER WEDGE DETAILS	
ORIGINAL BY: T.SPELL	DATE: 7-19-11
MODIFIED BY:	DATE: 10/16/12
CHECKED BY:	DATE:
FILE SPEC.: susr/details/stand/shoulderwedgedetail.dgn	

SYSTEMS DESIGN CONSULTANTS
 11000 WILSON BLVD
 SUITE 100
 FARMERS BRANCH, NC 27834
 TEL: 919-707-6950 FAX: 919-250-4119
 WWW.SDCON.COM