

ADDENDUM No. 2

TO: Prospective Bidders

FROM: Donna Johnson, *Engineering Contracts Specialist*

DATE: August 12, 2021

PROJECT: Lakeview Rd/Reames Rd Intersection Project
 Project No.: 512-16-032
 Bid Number: HC2020-1929

The following items are being issued herein for modification and clarification to the Bid Requirements for the project referenced above. All Bidders shall acknowledge this Addendum within their submittal.

MODIFICATIONS

PROJECT MANUAL

1) On pages 00 40 00 –3, 5, and 6, under the **ITEMIZED BID** change the following:

| Item # | Section # | Description | Qty | Unit | Unit Price (\$) | Amount Bid (\$) (Qty x Unit Price) |
|--------|------------------------|---|------------------------|----------|-----------------|---------------------------------------|
| 23 | 420 | 5" Concrete - Class AA Concrete | 10 | CY | | |
| 40 | 846 | 1'-6" Concrete Curb and Gutter | 1334 944 | LF | | |
| 93 | 1757 846 | Traffic Signal Removal 1'-6" Concrete Curb and Gutter (Class AA Concrete) | 1 390 | EA LF | | |
| 105 | SP-12 | 12" Reinforced Stamped/Colored Concrete (Class AA Concrete) | 634 | SY | | |

The Electronic Itemized Bid Form available at the City's website has been revised to reflect the above changes.

2) On page 00 75 00-1, replace Article 1.2 **Intermediate Contract Time** with the following:

1.2 Intermediate Contract Time

Intermediate Contract Times (ICT) for the following items are critical to the timely completion of this Contract.

A. ICT # 1 : Phase V – Full Depth Asphalt, Concrete Roundabout, and Concrete Islands

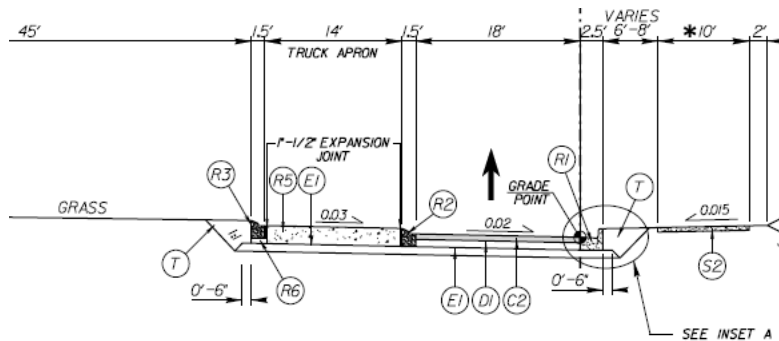
For ICT #1, the Contractor shall complete the work required of Phase V, Steps 1-6 as shown on Sheet TCP-10. This includes construction of full depth asphalt within the limits shown within the roundabout on PSH09 and construction of the concrete roundabout and concrete islands for the roundabout.

All of the following work shall be completed and accepted before 5:00 AM, Monday, August 15th, 2022. Work for this phase shall occur **no longer than 21 consecutive days** between June 10th, 2022 and August 15th, 2022, **but not during the July 4th holiday**.

QUESTIONS & ANSWERS

- Where will item 23, Class AA Concrete be used?

Answer: This item covers the Proposed 5" Concrete (Class AA) (R6). See revised line item description on the Itemized Bid.



ROUNDABOUT TYPICAL SECTION

- Where will item 93, Traffic Signal Removal be used? TCP-1, General Notes C, states "All signal revisions or shifts of signal heads will be the responsibility of CDOT". SP-03R, Traffic Signals, states "CDOT will...relocate and remove all traffic signal equipment on the Project...". Please clarify.

Answer: The Itemized Bid item #93 is no longer needed and has been replaced with a new item for 1'-6" Concrete Curb and Gutter (Class AA Concrete). This item is for R2 in the above detail.

CLARIFICATIONS:

- On the Itemized Bid, Line Item #105 – 12" Reinforced Stamped/Colored Concrete is for the Truck Apron R5 in the above detail. This line item description has been revised to include Class AA Concrete.

END OF ADDENDUM NO. 2