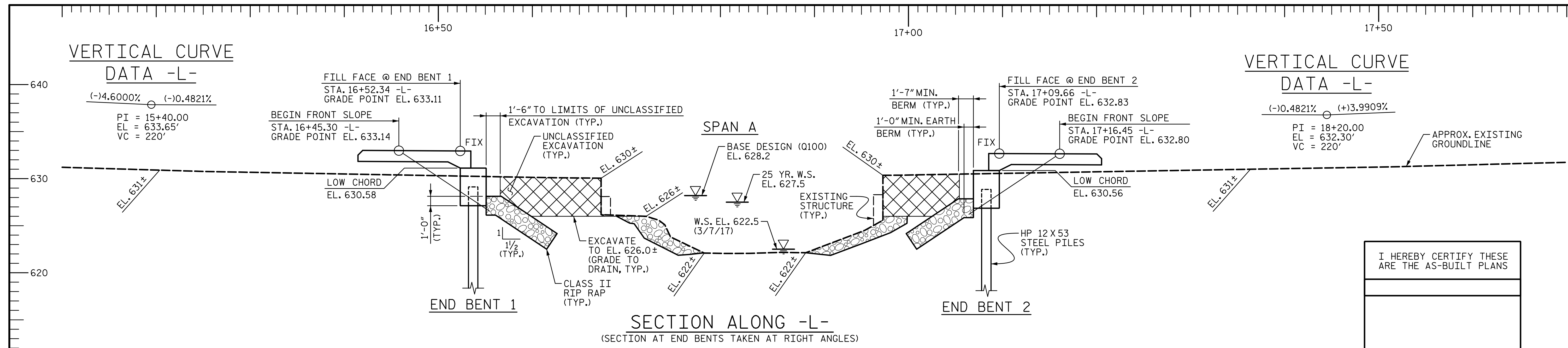


VERTICAL CURVE DATA -L-

(-)-4.6000% (-)-0.4821%
 PI = 15+40.00
 EL = 633.65'
 VC = 220'

VERTICAL CURVE DATA -L-

(-)-0.4821% (+)-3.9909%
 PI = 18+20.00
 EL = 632.30'
 VC = 220'



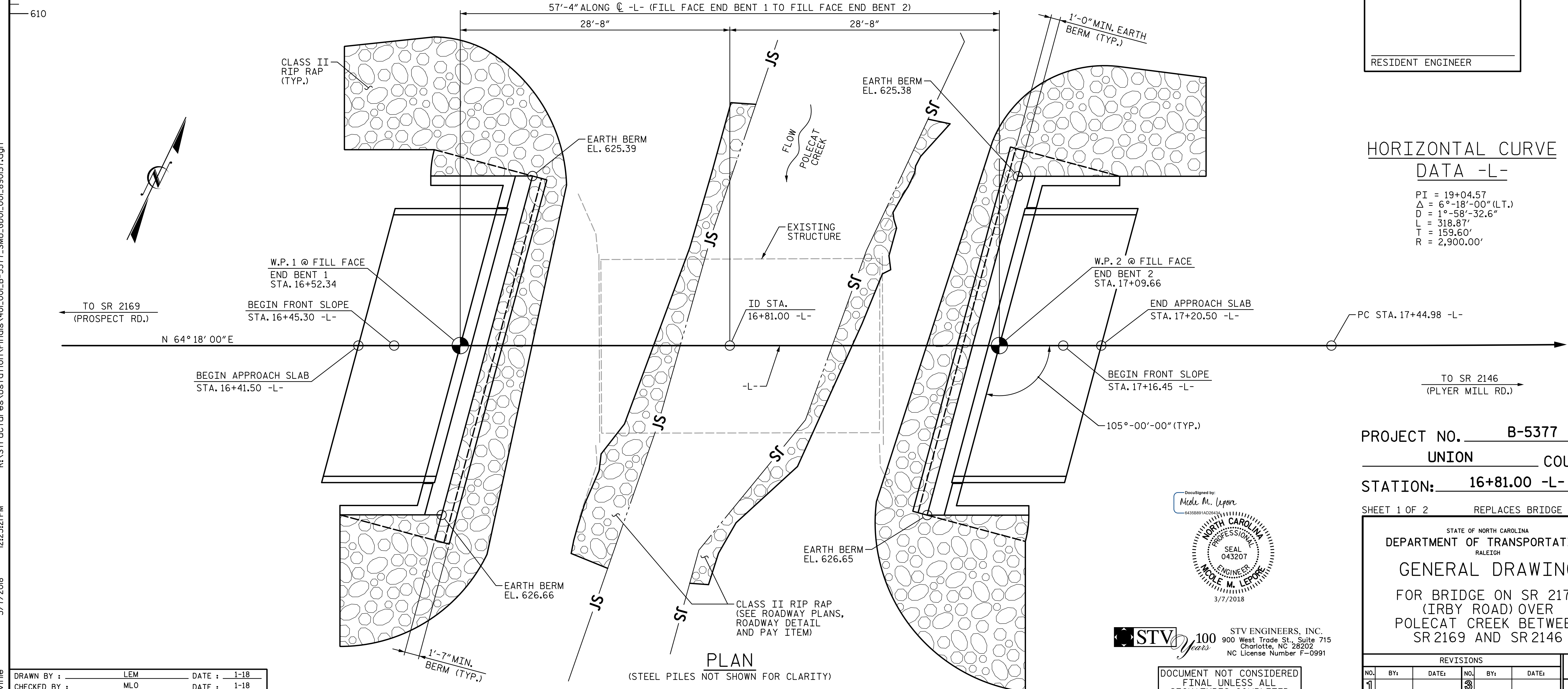
SECTION ALONG -L-
 (SECTION AT END BENTS TAKEN AT RIGHT ANGLES)

I HEREBY CERTIFY THESE ARE THE AS-BUILT PLANS

RESIDENT ENGINEER

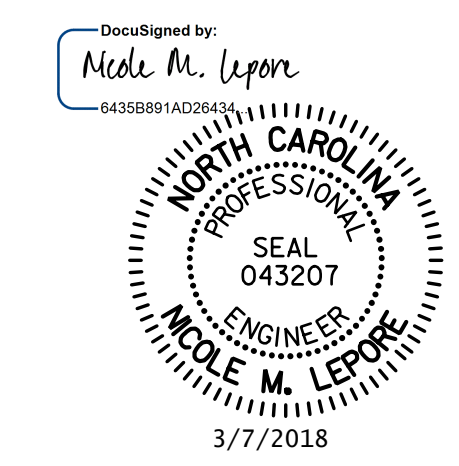
HORIZONTAL CURVE DATA -L-

PI = 19+04.57
 Δ = 6°-18'-00" (LT.)
 D = 1°-58'-32.6"
 L = 318.87'
 T = 159.60'
 R = 2,900.00'



PLAN

(STEEL PILES NOT SHOWN FOR CLARITY)



STV 100 YEARS
 STV ENGINEERS, INC.
 900 West Trade St., Suite 715
 Charlotte, NC 28202
 NC License Number F-0991

DOCUMENT NOT CONSIDERED FINAL UNLESS ALL SIGNATURES COMPLETED

PROJECT NO. B-5377
 UNION COUNTY
 STATION: 16+81.00 -L-
 SHEET 1 OF 2 REPLACES BRIDGE NO. 157

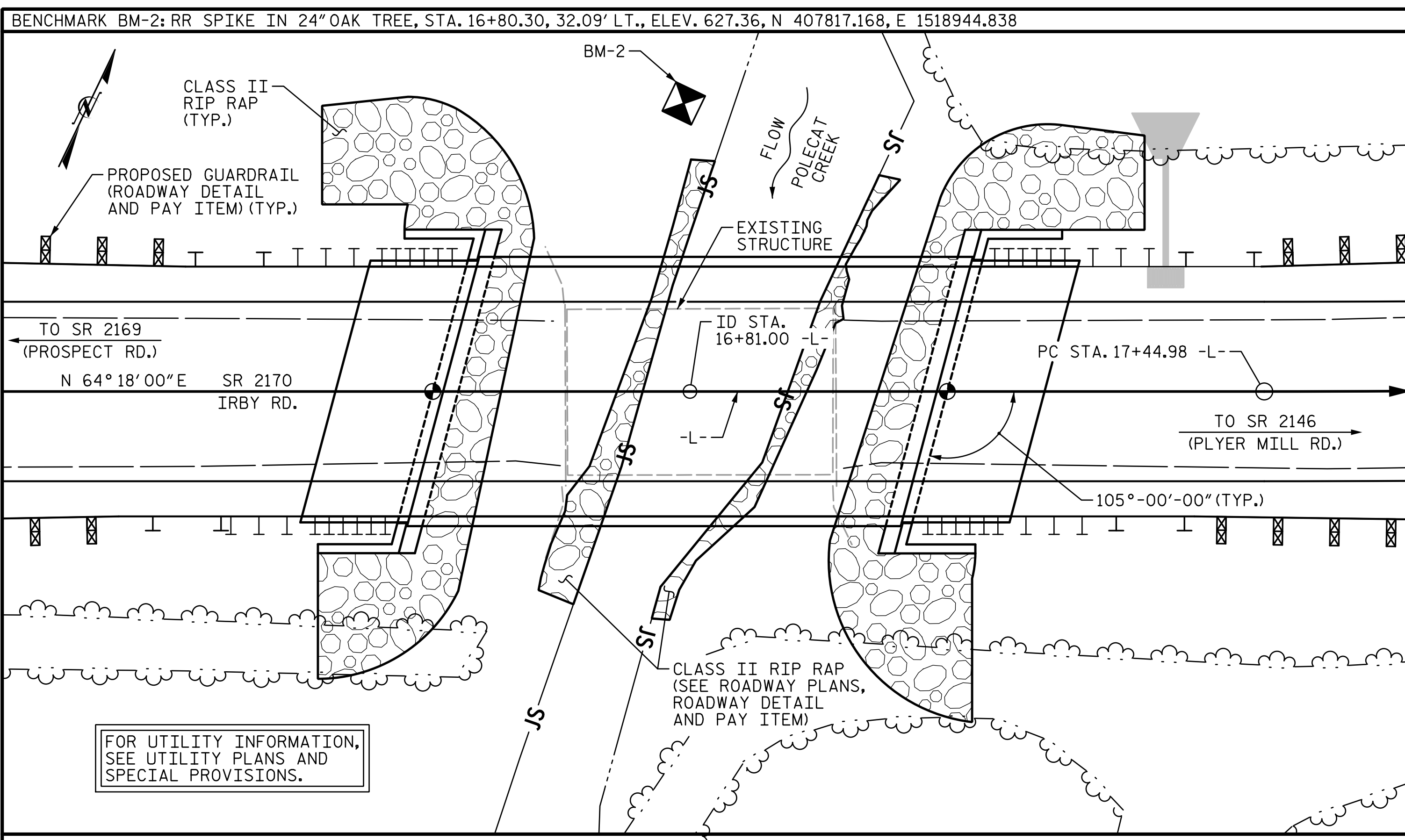
STATE OF NORTH CAROLINA
 DEPARTMENT OF TRANSPORTATION
 RALEIGH
GENERAL DRAWING
 FOR BRIDGE ON SR 2170
 (IRBY ROAD) OVER
 POLECAT CREEK BETWEEN
 SR 2169 AND SR 2146

REVISIONS				SHEET NO.
NO.	BY:	DATE:	NO.	DATE:
1			3	
2			4	

S-1
 TOTAL SHEETS 13

R:\Structures\Station\Final\401_001_B-5377_SMU_GD01_001_890157.dgn
 12:23:21 PM
 3/7/2018
 meivine

DRAWN BY : LEM DATE : 1-18
 CHECKED BY : MLO DATE : 1-18
 DESIGN ENGINEER OF RECORD : NML DATE : 2-18



LOCATION SKETCH

HYDRAULIC DATA

DESIGN DISCHARGE: 460 CFS
 FREQUENCY OF DESIGN FLOOD: 25 YRS.
 DESIGN HIGH WATER ELEVATION: 627.5
 DRAINAGE AREA: 0.77 SQ. MI.
 BASE DISCHARGE (Q100): 654 CFS
 BASE HIGH WATER ELEVATION: 628.2

OVERTOPPING DATA

OVERTOPPING DISCHARGE: 2,500 CFS
 FREQUENCY OF OVERTOPPING: 500± YRS.
 OVERTOPPING FLOOD ELEVATION: 632.8
 OVERTOPS AT LOW POINT STA. 17+33.71 -L-

TOTAL BILL OF MATERIAL

	REMOVAL OF EXISTING STRUCTURE AT STA. 16+81.00 -L-	ASBESTOS ASSESSMENT	PILE EXCAVATION IN SOIL	PILE EXCAVATION NOT IN SOIL	UNCLASSIFIED STRUCTURE EXCAVATION	CLASS A CONCRETE	BRIDGE APPROACH SLABS	REINFORCING STEEL	PILE DRIVING EQUIPMENT SETUP FOR HP 12 X 53 STEEL PILES	HP 12 X 53 STEEL PILES	VERTICAL CONCRETE BARRIER RAIL	RIP RAP CLASS II (2'-0" THICK)	GEOTEXTILE FOR DRAINAGE	ELASTOMERIC BEARINGS	3'-0" X 1'-9" PRESTRESSED CONCRETE CORED SLABS	
	LUMP SUM	LUMP SUM	LIN. FT.	LIN. FT.	LUMP SUM	CU. YD.	LUMP SUM	LBS.	EA.	NO.	LIN. FT.	TONS	SQ. YDS.	LUMP SUM	NO.	LIN. FT.
SUPERSTRUCTURE											110.0				10	550.0
END BENT 1			38	13		20.5		2,522	5	5	75.0	105	120			
END BENT 2			35	15		20.5		2,522	5	5	75.0	110	125			
TOTAL	LUMP SUM	LUMP SUM	73	28	LUMP SUM	41.0	LUMP SUM	5,044	10	10	150.0	215	245	LUMP SUM	10	550.0

GENERAL NOTES

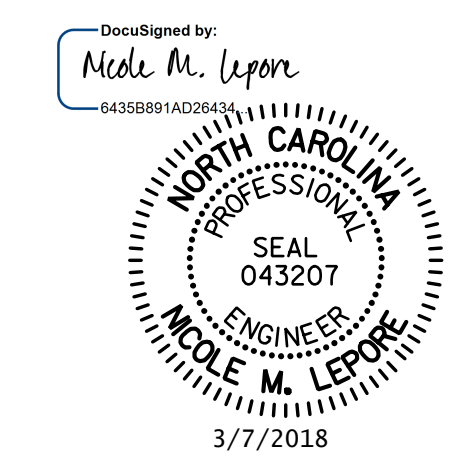
ASSUMED LIVE LOAD = HL-93 OR ALTERNATE LOADING.
 THIS BRIDGE HAS BEEN DESIGNED IN ACCORDANCE WITH THE REQUIREMENTS OF THE AASHTO LRFD BRIDGE DESIGN SPECIFICATIONS.
 THIS BRIDGE IS LOCATED IN SEISMIC ZONE 1.
 FOR OTHER DESIGN DATA AND GENERAL NOTES, SEE "STANDARD NOTES" SHEET.
 FOR EROSION CONTROL MEASURES, SEE EROSION CONTROL PLANS.
 THE EXISTING STRUCTURE CONSISTING OF (1) 30'-6" SPAN WITH TIMBER DECK WITH A 2 1/2" ASPHALT WEARING SURFACE ON 9 LINES OF W14X30 STEEL I-BEAMS WITH A CLEAR ROADWAY OF 19'-2" AND SUPPORTED BY TIMBER CAPS, PILES, AND BULKHEADS AND LOCATED AT THE PROPOSED STRUCTURE SHALL BE REMOVED. THE EXISTING BRIDGE IS PRESENTLY POSTED FOR LOAD LIMIT.
 REMOVAL OF THE EXISTING BRIDGE SHALL BE PERFORMED SO AS NOT TO ALLOW DEBRIS TO FALL INTO THE WATER. THE CONTRACTOR SHALL SUBMIT DEMOLITION PLANS FOR REVIEW AND REMOVE THE BRIDGE IN ACCORDANCE WITH ARTICLE 402-2 OF THE STANDARD SPECIFICATIONS.
 INASMUCH AS THE PAINT SYSTEM ON THE EXISTING STRUCTURAL STEEL CONTAINS LEAD, THE CONTRACTOR'S ATTENTION IS DIRECTED TO ARTICLE 107-1 OF THE STANDARD SPECIFICATIONS. ANY COSTS RESULTING FROM COMPLIANCE WITH APPLICABLE STATE OR FEDERAL REGULATIONS PERTAINING TO HANDLING OF MATERIALS CONTAINING LEAD BASED PAINT SHALL BE INCLUDED IN THE BID PRICE FOR "REMOVAL OF EXISTING STRUCTURE AT STATION 16+81.00 -L-".
 THE MATERIAL SHOWN IN THE CROSS-HATCHED AREA (ON SHEET 1 OF 2) SHALL BE EXCAVATED FOR A DISTANCE FROM THE CENTERLINE OF ROADWAY OF 35'± (LEFT) AND 34'± (RIGHT) TO EL. 626± AT END BENT 1, 35'± (LEFT) AND 31'± (RIGHT) TO EL. 626± AT END BENT 2, AS DIRECTED BY THE ENGINEER. THIS WORK WILL BE PAID FOR AT THE CONTRACT LUMP SUM PRICE FOR UNCLASSIFIED STRUCTURE EXCAVATION. SEE SECTION 412 OF THE STANDARD SPECIFICATIONS.
 THE SUBSTRUCTURE OF THE EXISTING BRIDGE INDICATED ON THE PLANS IS FROM THE BEST INFORMATION AVAILABLE. SINCE THIS INFORMATION IS SHOWN FOR THE CONVENIENCE OF THE CONTRACTOR, THE CONTRACTOR SHALL HAVE NO CLAIM WHATSOEVER AGAINST THE DEPARTMENT OF TRANSPORTATION FOR ANY DELAYS OR ADDITIONAL COST INCURRED BASED ON DIFFERENCES BETWEEN THE EXISTING BRIDGE SUBSTRUCTURE SHOWN ON THE PLANS AND THE ACTUAL CONDITIONS AT THE PROJECT SITE.
 AT THE CONTRACTOR'S OPTION, PRESTRESSED CONCRETE END BENT CAPS MAY BE SUBSTITUTED IN PLACE OF THE CAST-IN-PLACE CAPS. THE CONTRACTOR SHALL COORDINATE WITH THE RESIDENT ENGINEER TO RECEIVE REVISED PLANS AND DETAILS FROM THE STRUCTURES MANAGEMENT UNIT. THE REDESIGN AND ANY ADDITIONAL MATERIALS NEEDED WILL BE AT NO ADDITIONAL COST TO THE CONTRACTOR.
 THIS STRUCTURE HAS BEEN DESIGNED IN ACCORDANCE WITH "HEC 18 - EVALUATING SCOUR AT BRIDGES".
 FOR SUBMITTAL OF WORKING DRAWINGS, SEE SPECIAL PROVISIONS.
 FOR FALSEWORK AND FORMWORK, SEE SPECIAL PROVISIONS.
 FOR CRANE SAFETY, SEE SPECIAL PROVISIONS.
 FOR GROUT FOR STRUCTURES, SEE SPECIAL PROVISIONS.
 ASPHALT WEARING SURFACE IS INCLUDED IN ROADWAY QUANTITY ON ROADWAY PLANS.
 FOR ASBESTOS ASSESSMENT FOR BRIDGE DEMOLITION AND RENOVATION ACTIVITIES, SEE SPECIAL PROVISIONS.

FOUNDATION NOTES

FOR PILES, SEE SECTION 450 OF THE STANDARD SPECIFICATIONS.
 PILES AT END BENT 1 ARE DESIGNED FOR A FACTORED RESISTANCE OF 85 TONS PER PILE.
 DRIVE PILES AT END BENT 1 TO A REQUIRED DRIVING RESISTANCE OF 142 TONS PER PILE.
 DRILLED-IN PILES ARE REQUIRED FOR END BENT 1. EXCAVATE HOLES AT PILE LOCATIONS TO ELEVATION 617 FT. FOR PILE EXCAVATION, SEE SECTION 450 OF THE STANDARD SPECIFICATIONS.
 PILES AT END BENT 2 ARE DESIGNED FOR A FACTORED RESISTANCE OF 85 TONS PER PILE.
 DRIVE PILES AT END BENT 2 TO A REQUIRED DRIVING RESISTANCE OF 142 TONS PER PILE.
 DRILLED-IN PILES ARE REQUIRED FOR END BENT 2. EXCAVATE HOLES AT PILE LOCATIONS TO ELEVATION 617 FT. FOR PILE EXCAVATION, SEE SECTION 450 OF THE STANDARD SPECIFICATIONS.
 CONCRETE IS REQUIRED TO FILL HOLES FOR PILE EXCAVATION AT END BENTS 1 AND 2.

PROJECT NO. B-5377
UNION COUNTY
 STATION: 16+81.00 -L-

SHEET 2 OF 2



STV 100 YEARS
 STV ENGINEERS, INC.
 900 West Trade St., Suite 715
 Charlotte, NC 28202
 NC License Number F-0991

DOCUMENT NOT CONSIDERED FINAL UNLESS ALL SIGNATURES COMPLETED

STATE OF NORTH CAROLINA
 DEPARTMENT OF TRANSPORTATION
 RALEIGH
GENERAL DRAWING
 FOR BRIDGE ON SR 2170 (IRBY ROAD) OVER POLECAT CREEK BETWEEN SR 2169 AND SR 2146

REVISIONS					SHEET NO.
NO.	BY:	DATE:	NO.	BY:	DATE:
1			3		
2			4		

TOTAL SHEETS 13

R:\Structures\Station\401_003_B-5377_SMU_GD02_002_89057.dgn 12:23:23 PM 3/7/2018

DRAWN BY : LEM DATE : 1-18
 CHECKED BY : MLO DATE : 1-18
 DESIGN ENGINEER OF RECORD : NML DATE : 2-18

LOAD AND RESISTANCE FACTOR RATING (LRFD) SUMMARY FOR PRESTRESSED CONCRETE GIRDERS

LEVEL	VEHICLE	WEIGHT (W) (TONS)	CONTROLLING LOAD RATING	MINIMUM RATING FACTORS (RF)	TONS = W X RF	STRENGTH I LIMIT STATE										SERVICE III LIMIT STATE					COMMENT NUMBER			
						LIVELOAD FACTORS	MOMENT					SHEAR					LIVELOAD FACTORS	MOMENT						
							DISTRIBUTION FACTORS (DF)	RATING FACTOR	SPAN	GIRDER LOCATION	DISTANCE FROM LEFT END OF SPAN (ft)	DISTRIBUTION FACTORS (DF)	RATING FACTOR	SPAN	GIRDER LOCATION	DISTANCE FROM LEFT END OF SPAN (ft)		DISTRIBUTION FACTORS (DF)	RATING FACTOR	SPAN		GIRDER LOCATION	DISTANCE FROM LEFT END OF SPAN (ft)	
DESIGN LOAD RATING	HL-93(Inv)	N/A	①	1.065	--	1.75	0.27	1.25	55'	EL	26.982	0.616	1.12	55'	EL	5.396	0.80	0.27	1.07	55'	EL	26.982		
	HL-93(Opr)	N/A	--	1.452	--	1.35	0.27	1.61	55'	EL	26.982	0.616	1.45	55'	EL	5.396	N/A	--	--	--	--	--		
	HS-20(Inv)	36.000	②	1.335	48.043	1.75	0.27	1.56	55'	EL	26.982	0.616	1.34	55'	EL	5.396	0.80	0.27	1.33	55'	EL	26.982		
	HS-20(Opr)	36.000	--	1.734	62.425	1.35	0.27	2.02	55'	EL	26.982	0.616	1.73	55'	EL	5.396	N/A	--	--	--	--	--		
LEGAL LOAD RATING	SV	SNSH	13.500	--	2.802	37.83	1.4	0.27	4.09	55'	EL	26.982	0.616	3.81	55'	EL	5.396	0.80	0.27	2.80	55'	EL	26.982	
		SNGARBS2	20.000	--	2.175	43.506	1.4	0.27	3.18	55'	EL	26.982	0.616	2.76	55'	EL	5.396	0.80	0.27	2.18	55'	EL	26.982	
		SNAGRIS2	22.000	--	2.099	46.173	1.4	0.27	3.07	55'	EL	26.982	0.616	2.58	55'	EL	5.396	0.80	0.27	2.10	55'	EL	26.982	
		SNCOTTS3	27.250	--	1.397	38.065	1.4	0.27	2.04	55'	EL	26.982	0.616	1.91	55'	EL	5.396	0.80	0.27	1.40	55'	EL	26.982	
		SNAGGRS4	34.925	--	1.2	41.922	1.4	0.27	1.75	55'	EL	26.982	0.616	1.62	55'	EL	5.396	0.80	0.27	1.20	55'	EL	26.982	
		SNS5A	35.550	--	1.172	41.648	1.4	0.27	1.71	55'	EL	26.982	0.616	1.66	55'	EL	5.396	0.80	0.27	1.17	55'	EL	26.982	
		SNS6A	39.950	--	1.089	43.514	1.4	0.27	1.59	55'	EL	26.982	0.616	1.53	55'	EL	5.396	0.80	0.27	1.09	55'	EL	26.982	
	SNS7B	42.000	--	1.038	43.587	1.4	0.27	1.52	55'	EL	26.982	0.616	1.53	55'	EL	5.396	0.80	0.27	1.04	55'	EL	26.982		
	TTST	TNAGRIT3	33.000	--	1.333	43.973	1.4	0.27	1.95	55'	EL	26.982	0.616	1.81	55'	EL	5.396	0.80	0.27	1.33	55'	EL	26.982	
		TNT4A	33.075	--	1.342	44.4	1.4	0.27	1.96	55'	EL	26.982	0.616	1.75	55'	EL	5.396	0.80	0.27	1.34	55'	EL	26.982	
		TNT6A	41.600	--	1.112	46.252	1.4	0.27	1.62	55'	EL	26.982	0.616	1.67	55'	EL	5.396	0.80	0.27	1.11	55'	EL	26.982	
		TNT7A	42.000	--	1.125	47.255	1.4	0.27	1.64	55'	EL	26.982	0.616	1.56	55'	EL	5.396	0.80	0.27	1.13	55'	EL	26.982	
		TNT7B	42.000	--	1.174	49.318	1.4	0.27	1.72	55'	EL	26.982	0.616	1.47	55'	EL	5.396	0.80	0.27	1.17	55'	EL	26.982	
		TNAGRIT4	43.000	--	1.111	47.786	1.4	0.27	1.62	55'	EL	26.982	0.616	1.42	55'	EL	5.396	0.80	0.27	1.11	55'	EL	26.982	
TNAGT5A		45.000	--	1.041	46.851	1.4	0.27	1.52	55'	EL	26.982	0.616	1.44	55'	EL	5.396	0.80	0.27	1.04	55'	EL	26.982		
TNAGT5B	45.000	③	1.023	46.02	1.4	0.27	1.49	55'	EL	26.982	0.616	1.35	55'	EL	5.396	0.80	0.27	1.02	55'	EL	26.982			

LOAD FACTORS:

DESIGN LOAD RATING FACTORS	LIMIT STATE	γ _{DC}	γ _{DW}
	STRENGTH I	1.25	1.50
	SERVICE III	1.00	1.00

NOTES:

MINIMUM RATING FACTORS ARE BASED ON THE STRENGTH I AND SERVICE III LIMIT STATES.
ALLOWABLE STRESSES FOR SERVICE III LIMIT STATE ARE AS REQUIRED FOR DESIGN.

⑥ CONTROLLING LOAD RATING

① DESIGN LOAD RATING (HL-93)

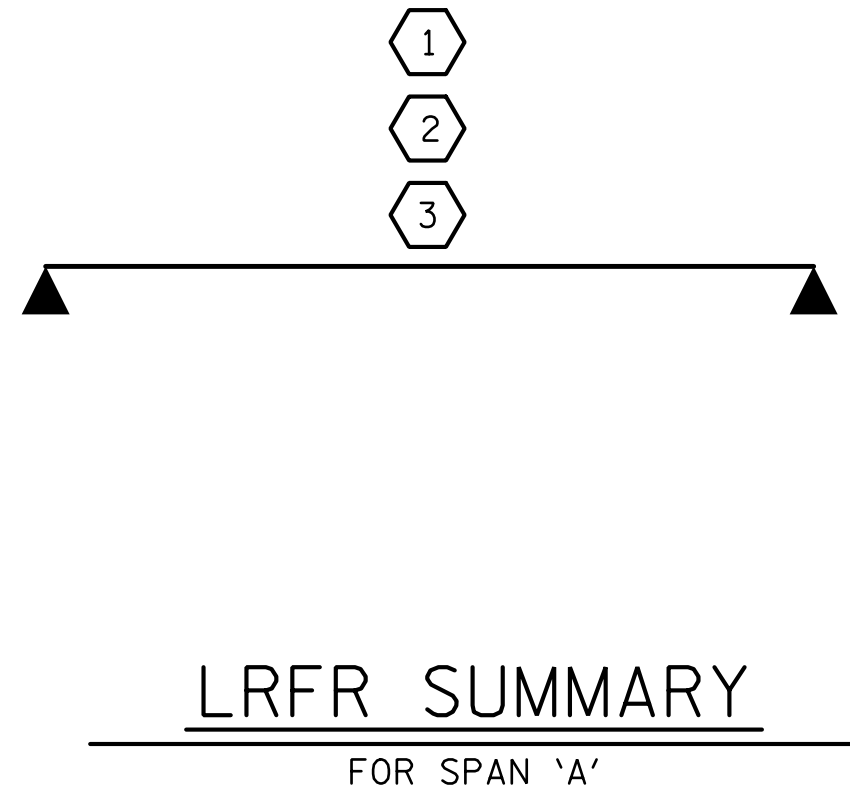
② DESIGN LOAD RATING (HS-20)

③ LEGAL LOAD RATING **

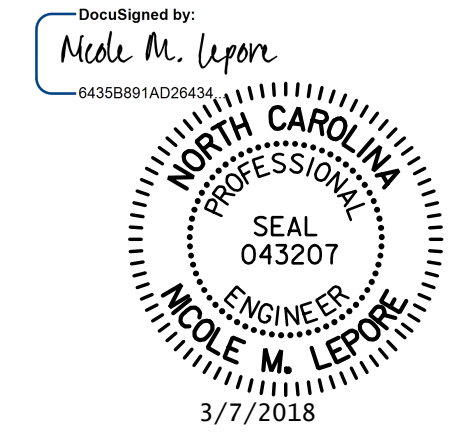
** SEE CHART FOR VEHICLE TYPE

GIRDER LOCATION

I - INTERIOR GIRDER
EL - EXTERIOR LEFT GIRDER
ER - EXTERIOR RIGHT GIRDER



PROJECT NO. B-5377
UNION COUNTY
STATION: 16+81.00 -L-



STV 100 YEARS
STV ENGINEERS, INC.
900 West Trade St., Suite 715
Charlotte, NC 28202
NC License Number F-0991

DOCUMENT NOT CONSIDERED
FINAL UNLESS ALL
SIGNATURES COMPLETED

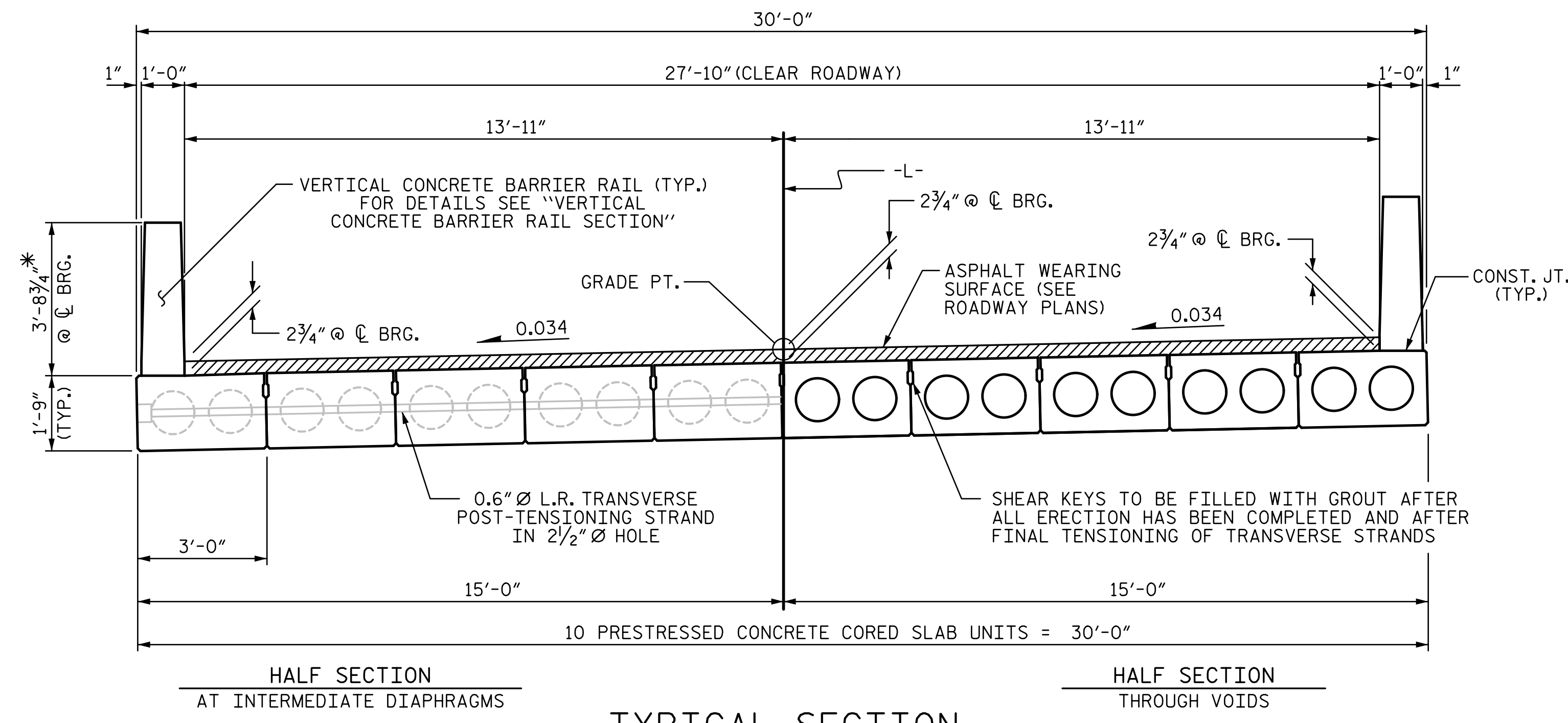
STATE OF NORTH CAROLINA
DEPARTMENT OF TRANSPORTATION
RALEIGH
STANDARD
LRFR SUMMARY FOR
55' CORED SLAB UNIT
105° SKEW
(NON-INTERSTATE TRAFFIC)

REVISIONS				SHEET NO.		
NO.	BY:	DATE:	NO.	BY:	DATE:	S-3
1			3			TOTAL SHEETS
2			4			13

R:\Structures\Station\Finals\401_005_B-5377_SML_LFR_003_890157.dgn 12:23:28 PM 3/7/2018

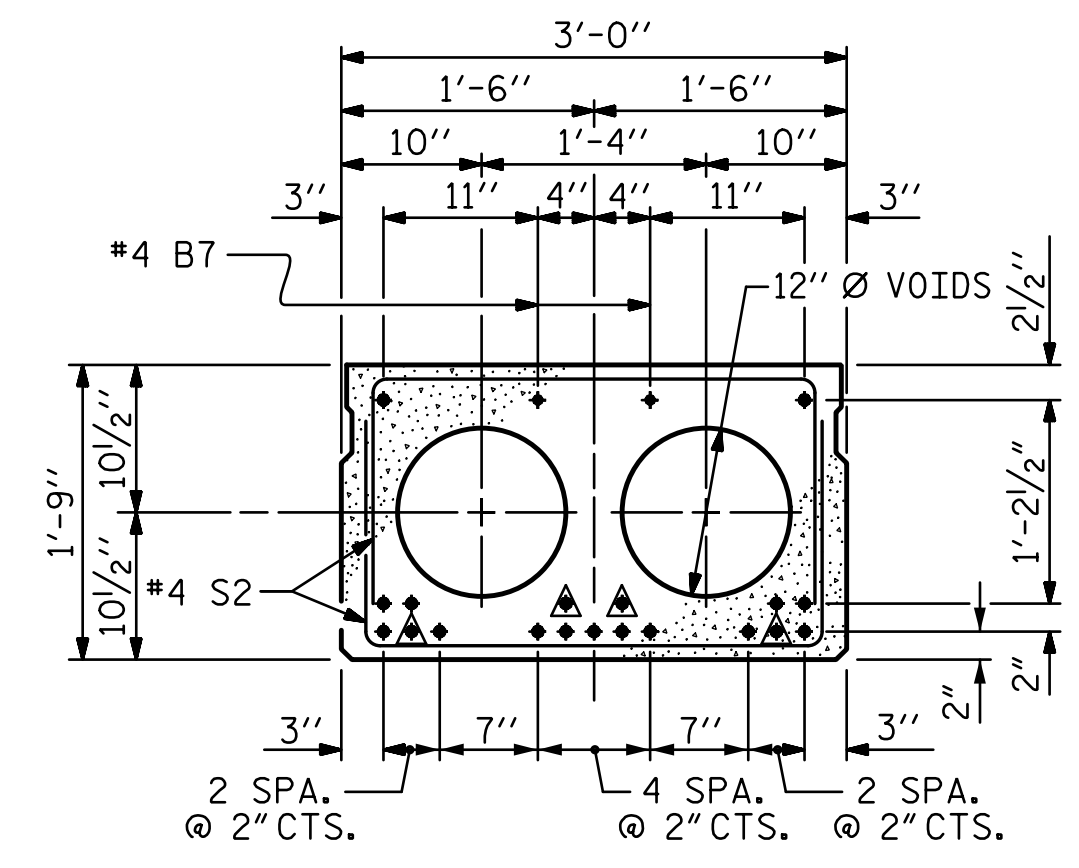
ASSEMBLED BY : LEM DATE : 1-18
CHECKED BY : MLO DATE : 1-18
DESIGN ENGINEER OF RECORD : NML DATE : 2-18
DRAWN BY : CVC 6/10
CHECKED BY : DNS 6/10

R:\Structures\Station\401_007_B-5377_SMU_PCCS01_004_890157.dgn 12:23:30 PM 3/7/2018

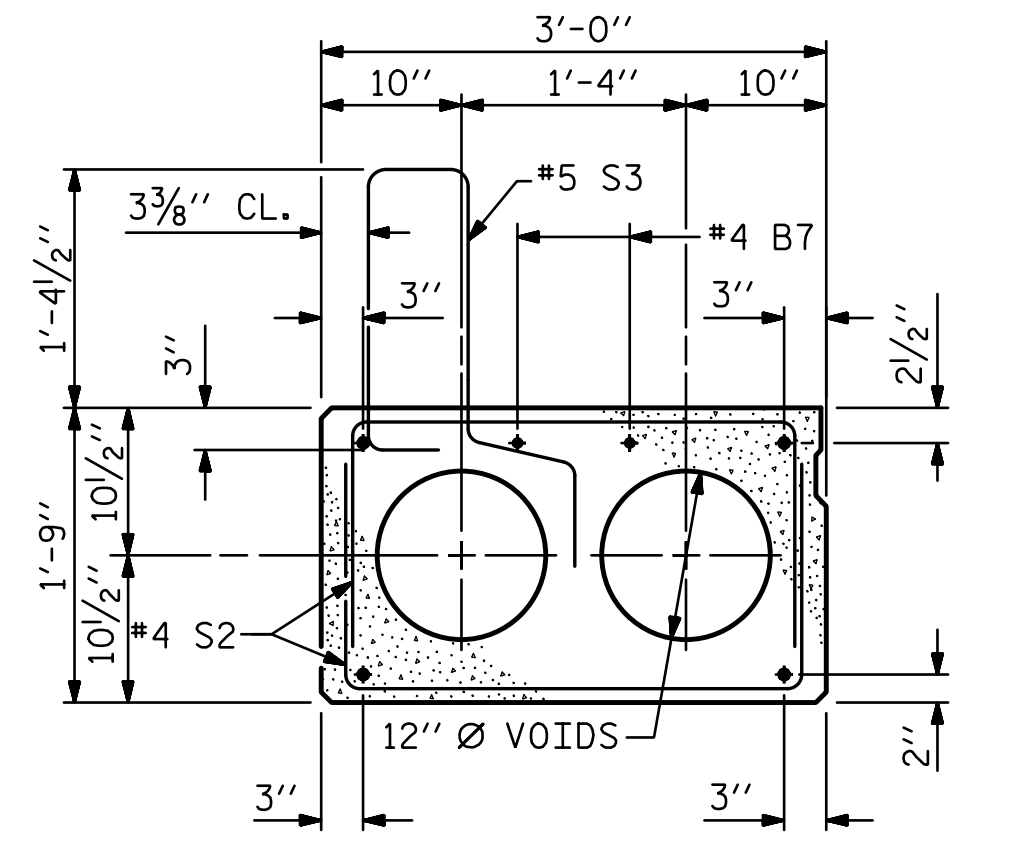


TYPICAL SECTION

* - THE MAXIMUM BARRIER RAIL HEIGHT AND ASPHALT THICKNESS IS SHOWN. THE HEIGHT OF THE BARRIER RAIL AND ASPHALT THICKNESS VARIES WHILE THE TOP OF THE BARRIER RAIL FOLLOWS THE PROFILE OF THE GUTTERLINE. FOR RAIL HEIGHT DETAILS AND ASPHALT THICKNESS SEE THE "VERTICAL CONCRETE BARRIER RAIL SECTION" DETAIL.



INTERIOR SLAB SECTION
(19 STRANDS REQUIRED)

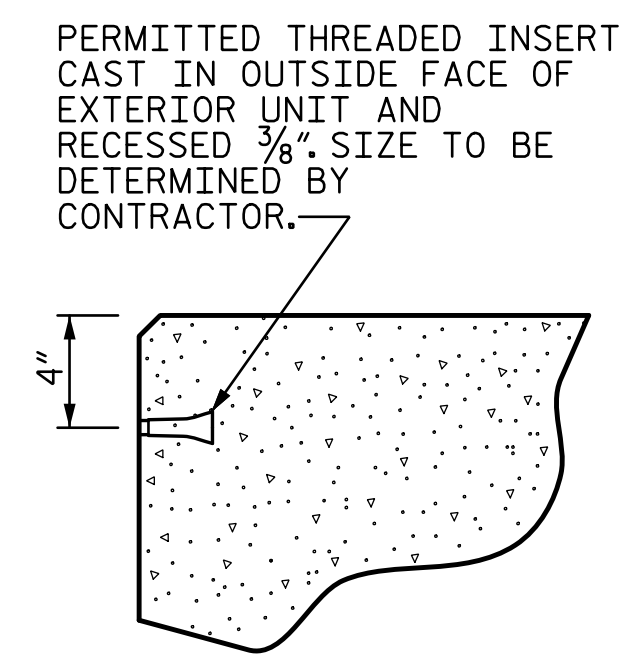


EXT. SLAB SECTION
(FOR PRESTRESSED STRAND LAYOUT, SEE INTERIOR SLAB SECTION.)

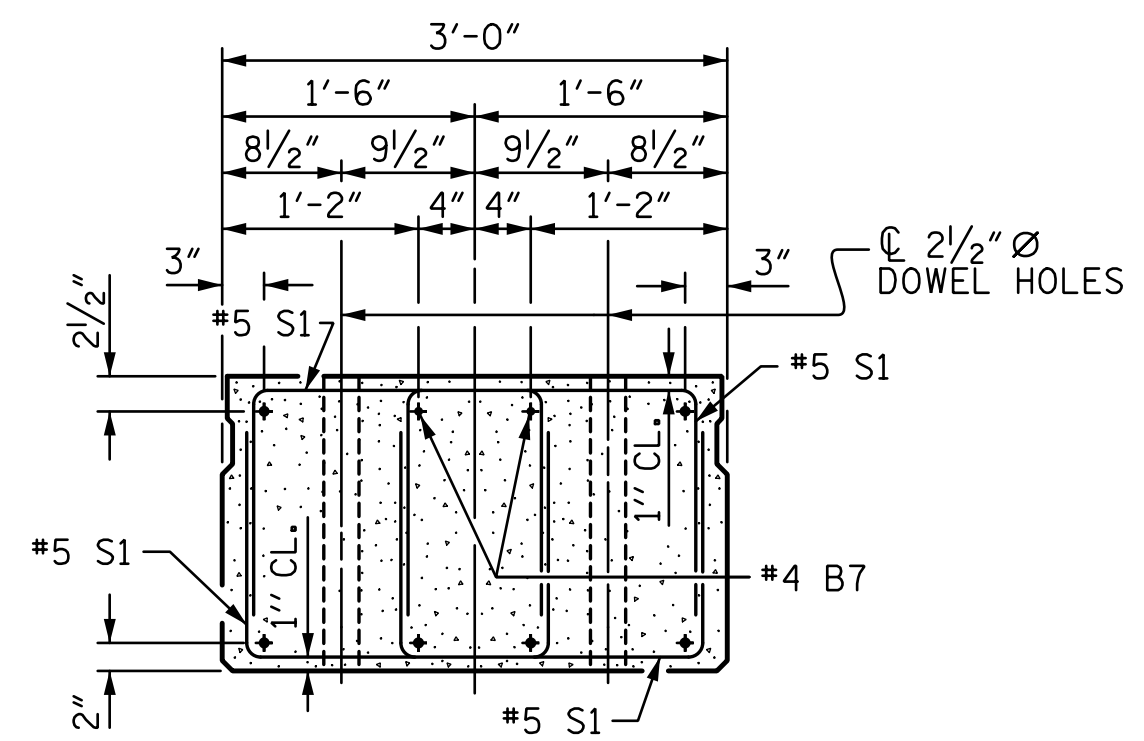
0.6" Ø LOW RELAXATION STRAND LAYOUT

▲ BOND SHALL BE BROKEN ON THESE STRANDS FOR A DISTANCE OF 6'-0" FROM END OF CORED SLAB UNIT. SEE STANDARD SPECIFICATIONS, ARTICLE 1078-7.

DEBONDING LEGEND

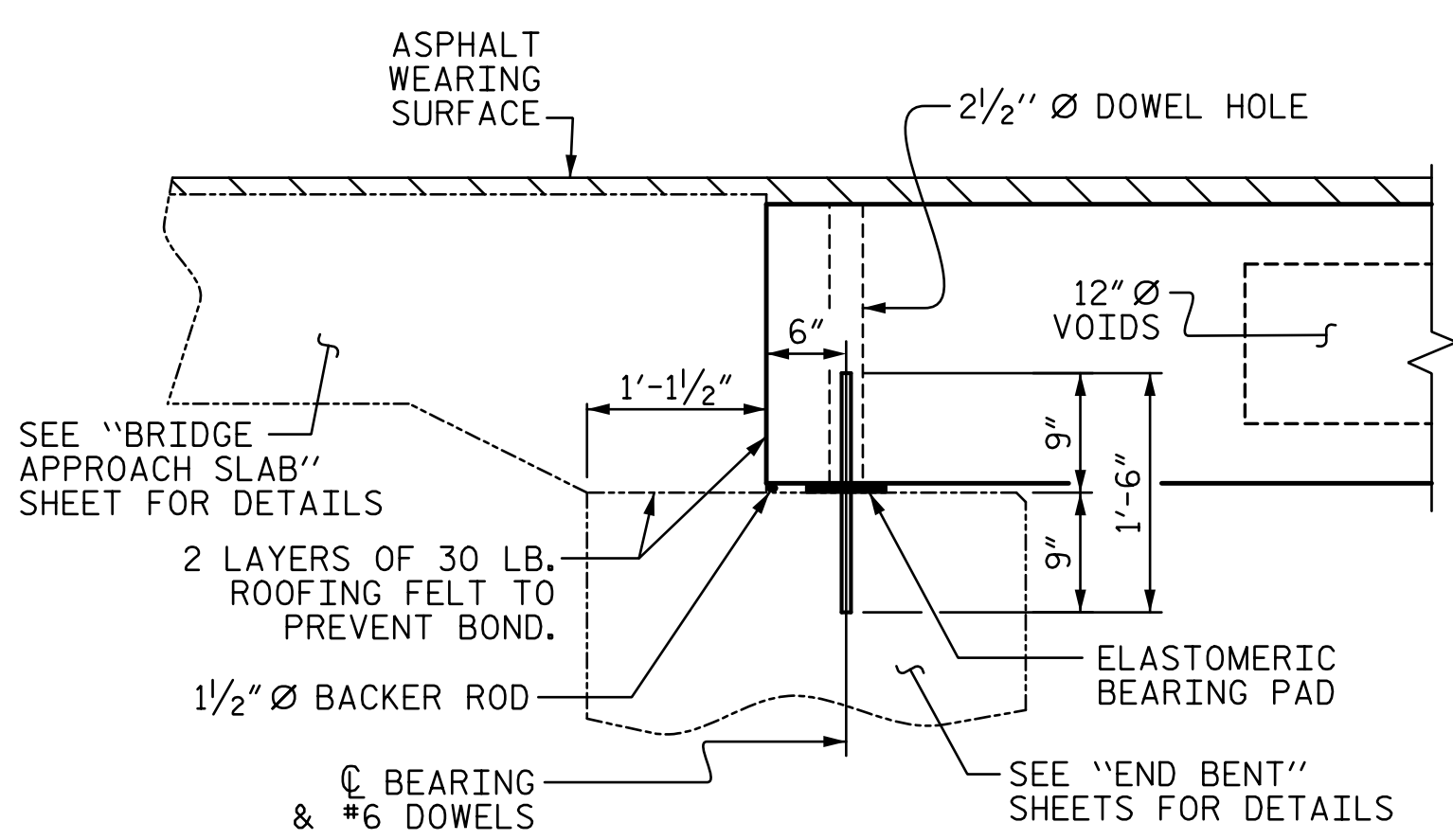


THREADED INSERT DETAIL

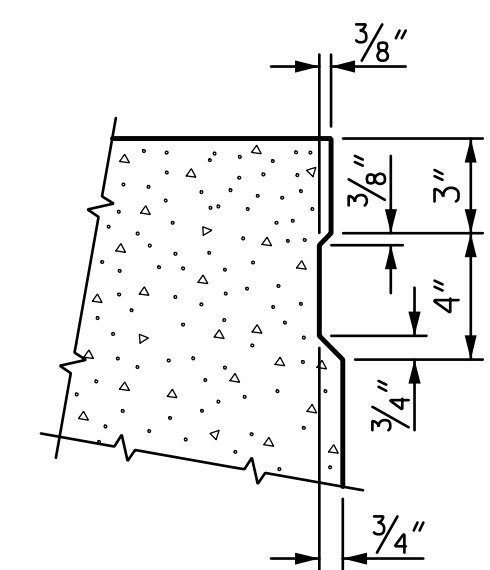


END ELEVATION

SHOWING PLACEMENT OF DOUBLE STIRRUPS AND LOCATION OF DOWEL HOLES. (STRAND LAYOUT NOT SHOWN.) INTERIOR SLAB UNIT SHOWN-EXTERIOR SLAB UNIT SIMILAR EXCEPT SHEAR KEY LOCATION.

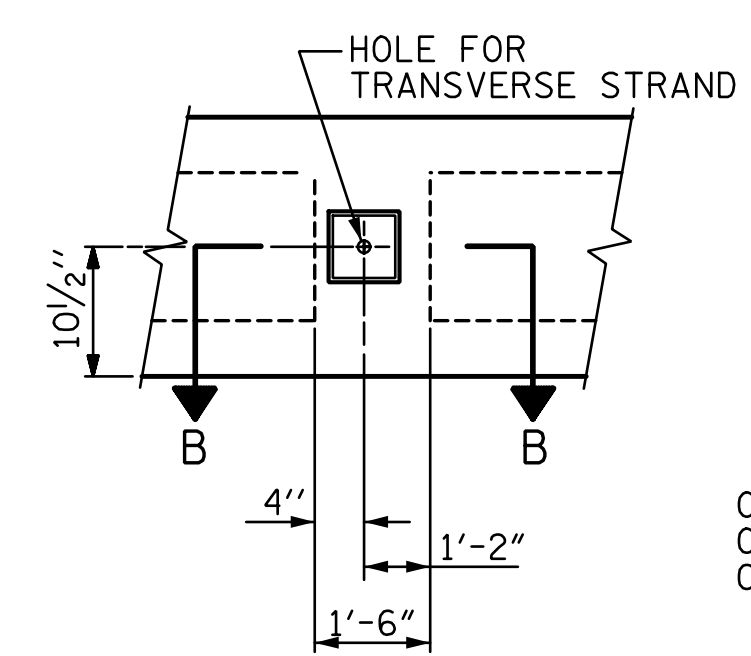


SECTION AT END BENT

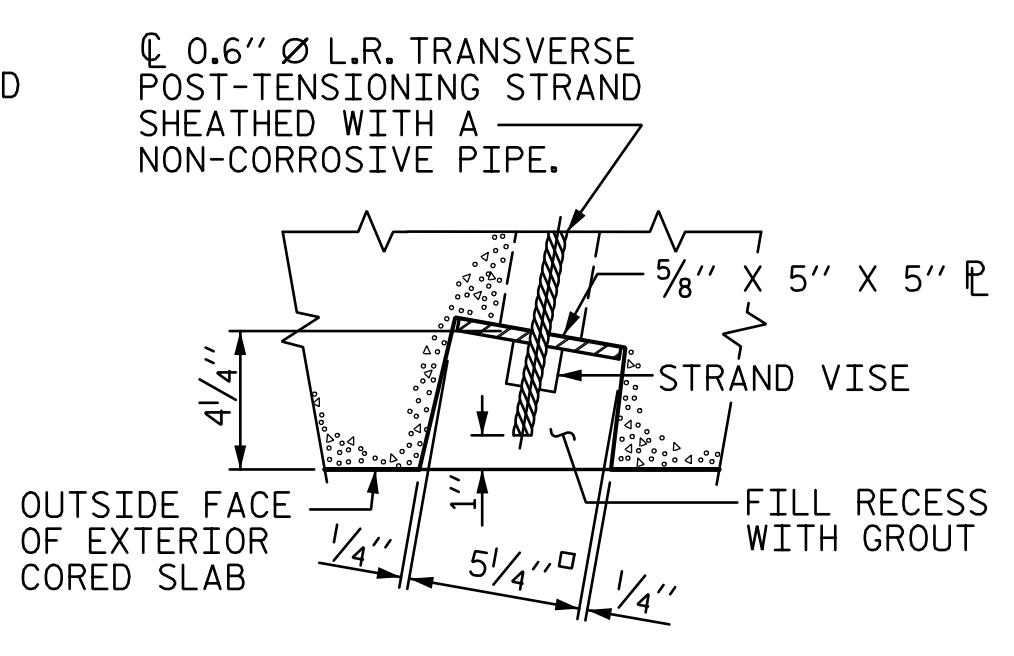


SHEAR KEY DETAIL

NOTE: OMIT SHEAR KEY ON OUTSIDE FACE OF EXTERIOR CORED SLABS.

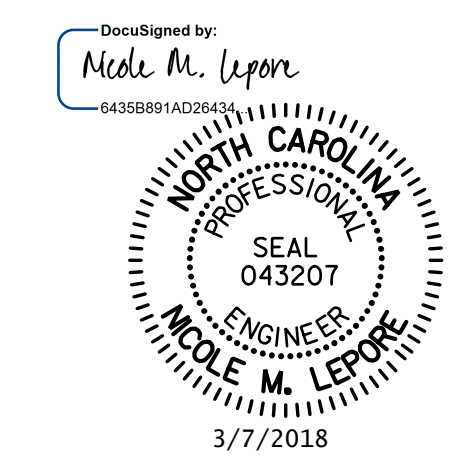


ELEVATION VIEW



SECTION B-B

GROUTED RECESS AT END OF POST-TENSIONED STRAND OF CORED SLABS



STV 100 YEARS STV ENGINEERS, INC.
900 West Trade St., Suite 715
Charlotte, NC 28202
NC License Number F-0991

DOCUMENT NOT CONSIDERED FINAL UNLESS ALL SIGNATURES COMPLETED

PROJECT NO. B-5377
UNION COUNTY
STATION: 16+81.00 -L-
SHEET 1 OF 3

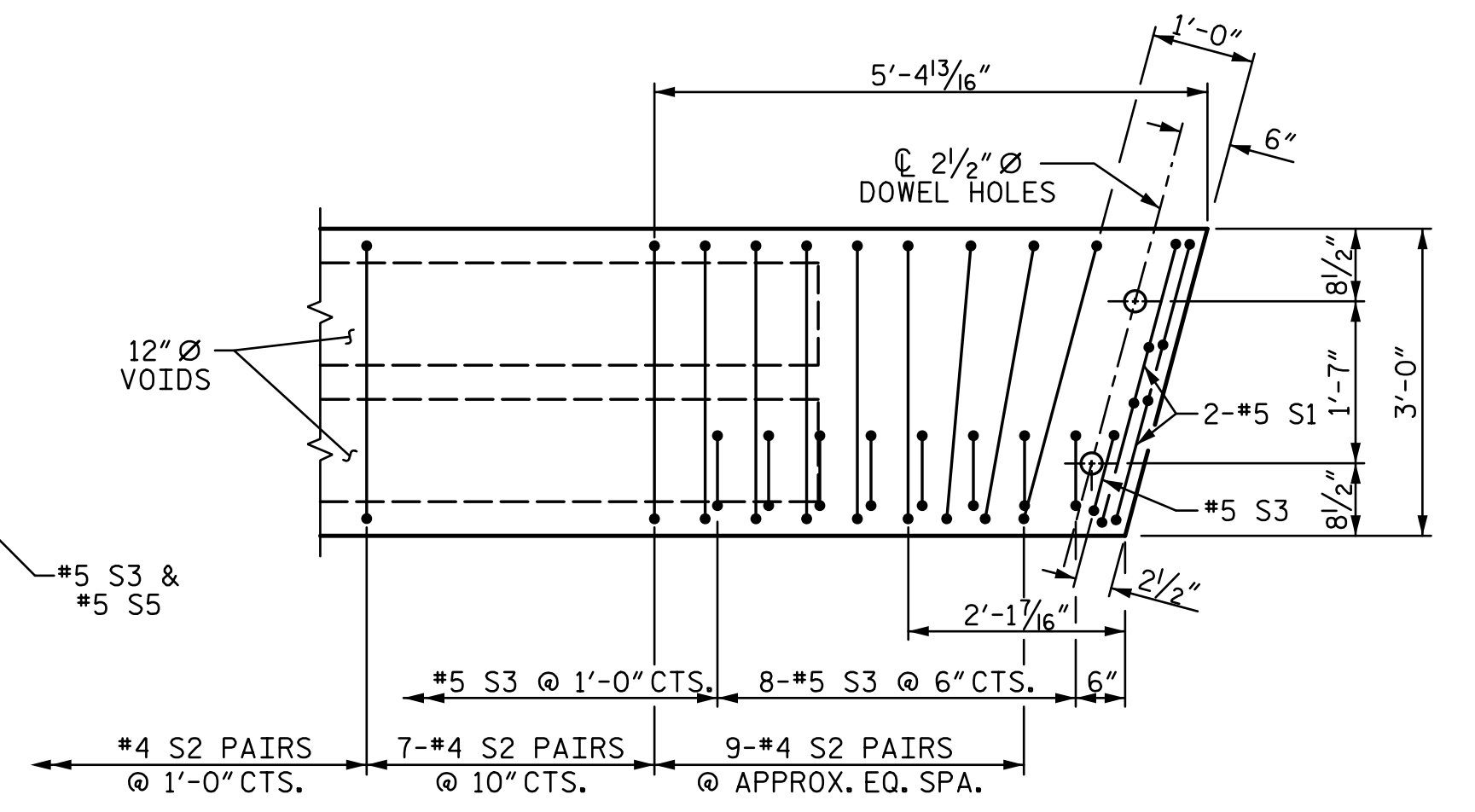
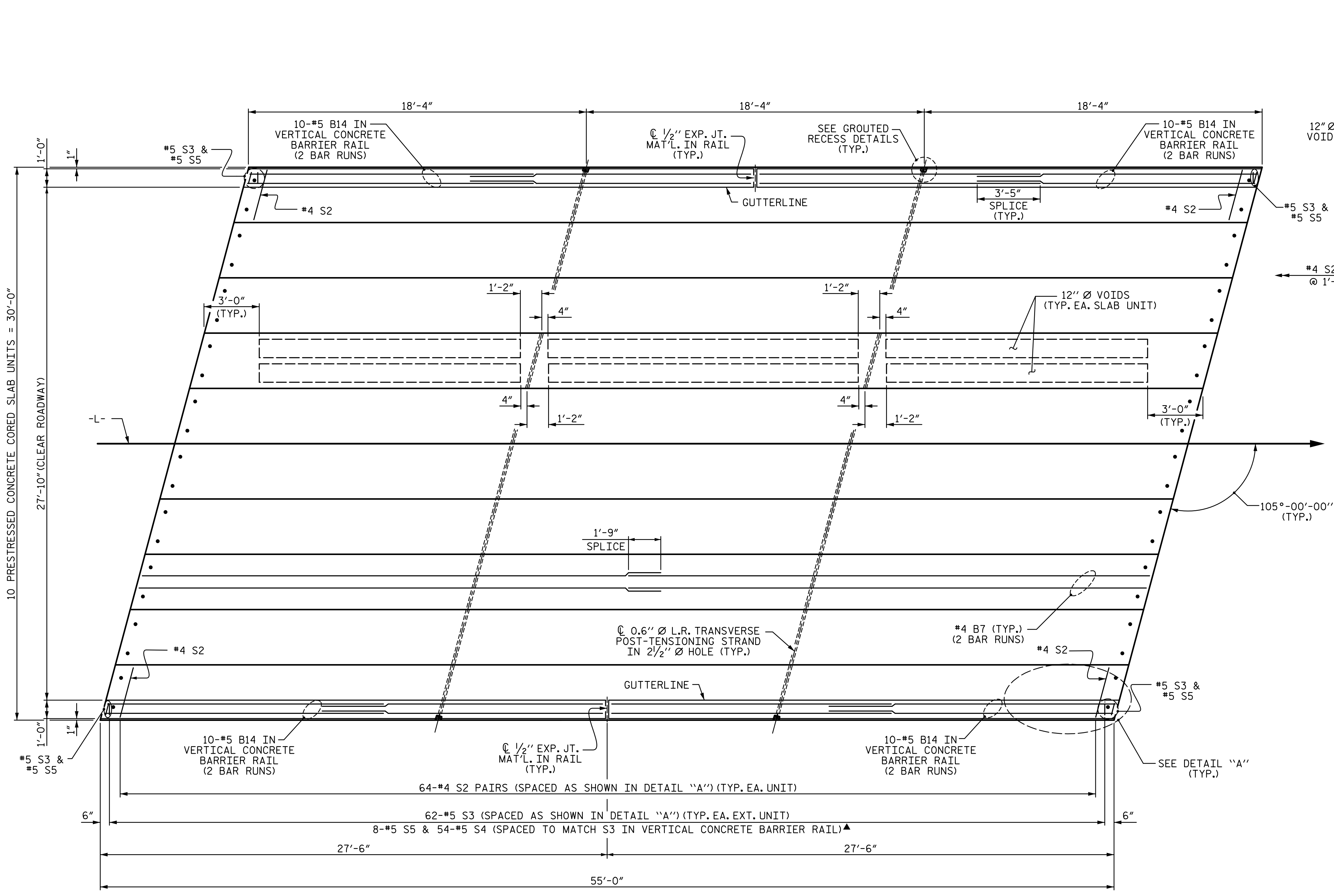
STATE OF NORTH CAROLINA
DEPARTMENT OF TRANSPORTATION
RALEIGH
STANDARD
3'-0" X 1'-9"
PRESTRESSED CONCRETE
CORED SLAB UNIT
105° SKEW

REVISIONS				SHEET NO.
NO.	BY:	DATE:	NO.	DATE:
1			3	
2			4	

S-4
TOTAL SHEETS 13

ASSEMBLED BY : LEM	DATE : 1-18
CHECKED BY : MLO	DATE : 1-18
DESIGN ENGINEER OF RECORD : NML	DATE : 2-18
DRAWN BY : DGE 5/09	REV. 8/14 MAA/TMG
CHECKED BY : BCH 6/09	

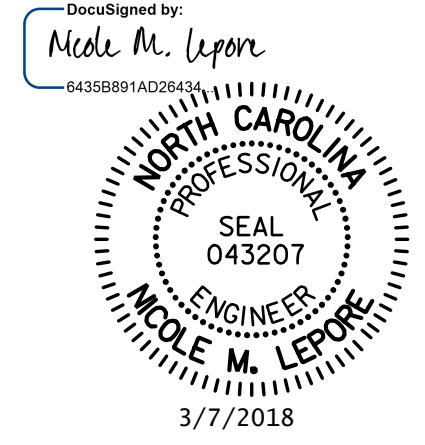
R:\Structures\Station\Finals\401_009_B-5377_SMU_PCCS02_005_B90157.dgn 3/7/2018 12:23:33 PM



DETAIL "A"
 (SIMILAR EACH END OF UNIT)
 NOTE: EXTERIOR UNIT SHOWN - INTERIOR UNIT SIMILAR EXCEPT OMIT #5 S3 BARS.

PLAN OF UNIT

▲ FOR #5 S4 & S5 BAR PLACEMENT, SEE "END OF RAIL DETAILS" ON SHEET 3 OF 3.



PROJECT NO. B-5377
UNION COUNTY
 STATION: 16+81.00 -L-
 SHEET 2 OF 3

STATE OF NORTH CAROLINA
 DEPARTMENT OF TRANSPORTATION
 RALEIGH
PLAN OF 55' UNIT
27'-10" CLEAR ROADWAY
105° SKEW

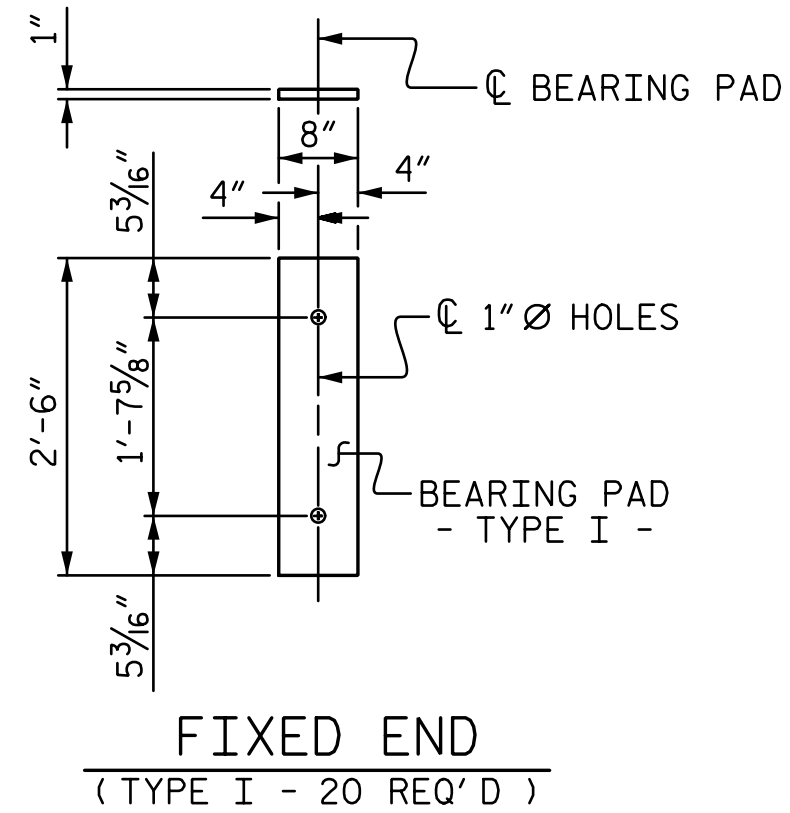
ASSEMBLED BY : LEM	DATE : 1-18
CHECKED BY : MLO	DATE : 1-18
DESIGN ENGINEER OF RECORD : NML	DATE : 2-18
DRAWN BY : DGE 3/09	REV. 12/5/11 MAA/AAC
CHECKED BY : BCH 3/09	REV. 8/14 MAA/TMG

STV 100 YEARS
 STV ENGINEERS, INC.
 900 West Trade St., Suite 715
 Charlotte, NC 28202
 NC License Number F-0991

DOCUMENT NOT CONSIDERED
 FINAL UNLESS ALL
 SIGNATURES COMPLETED

REVISIONS					SHEET NO.
NO.	BY:	DATE:	NO.	BY:	DATE:
1			3		
2			4		

TOTAL SHEETS 13

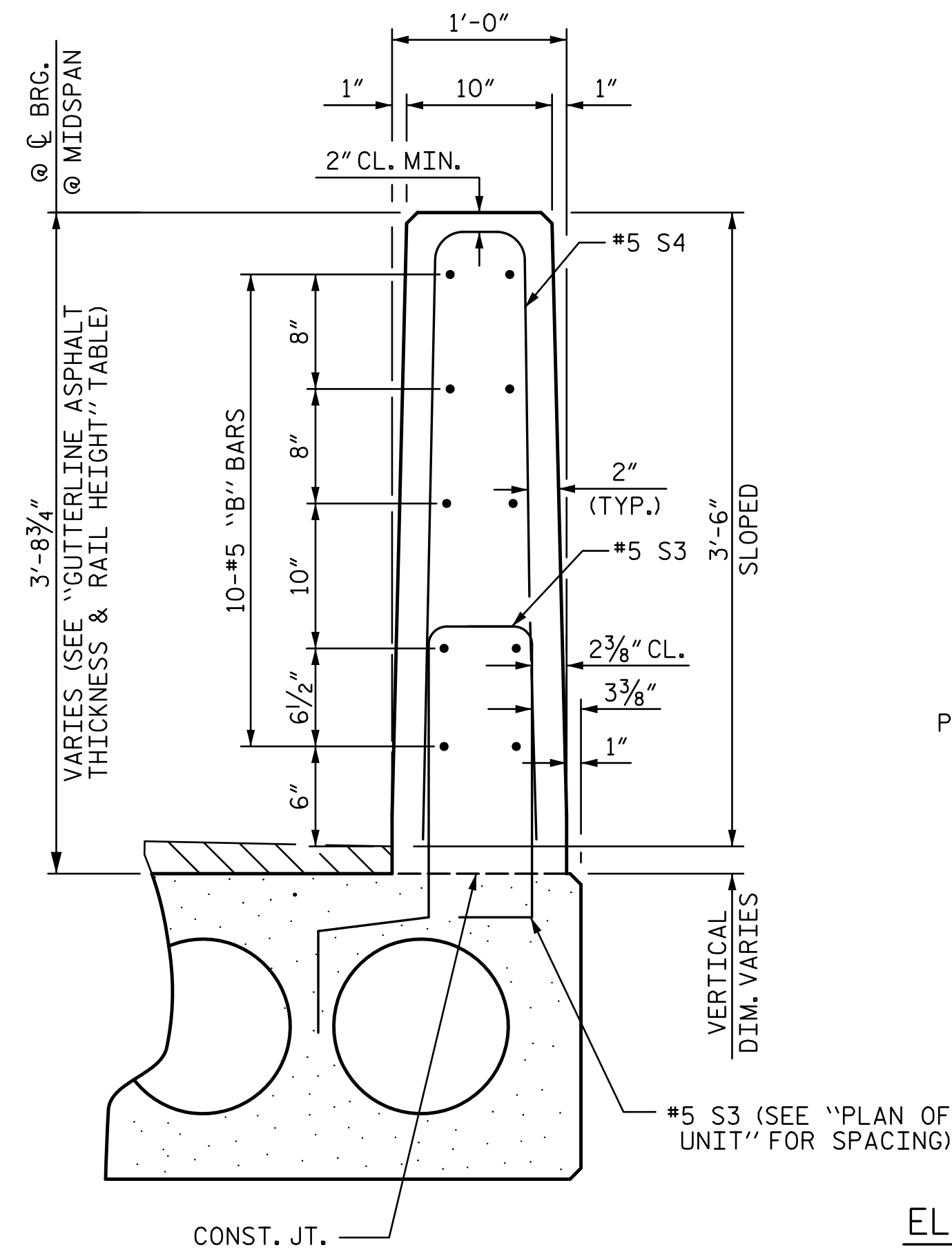


ELASTOMERIC BEARING DETAILS

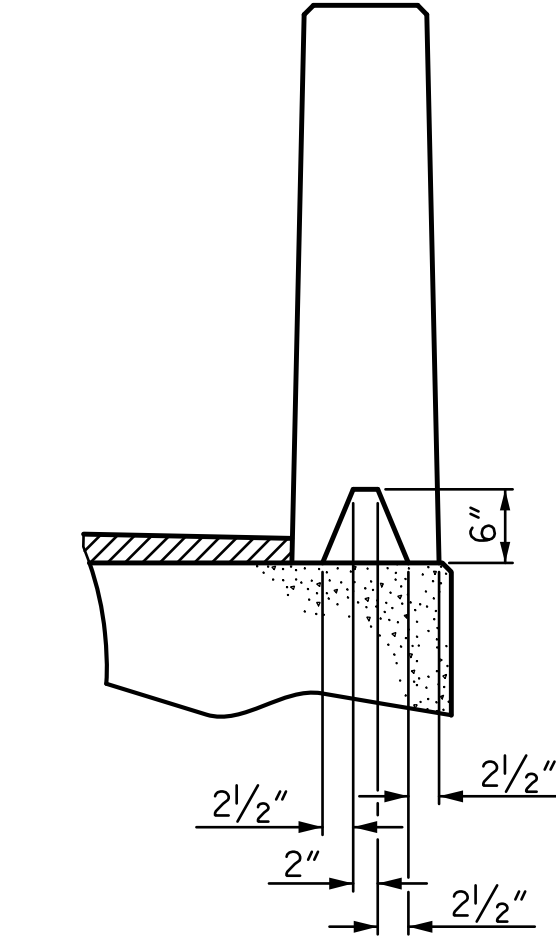
ELASTOMER IN ALL BEARINGS SHALL BE 50 DUROMETER HARDNESS.

GUTTERLINE ASPHALT THICKNESS & RAIL HEIGHT

ASPHALT OVERLAY THICKNESS	RAIL HEIGHT
@ MID-SPAN	@ MID-SPAN
55' UNIT 1 5/8"	3'-7 5/8"

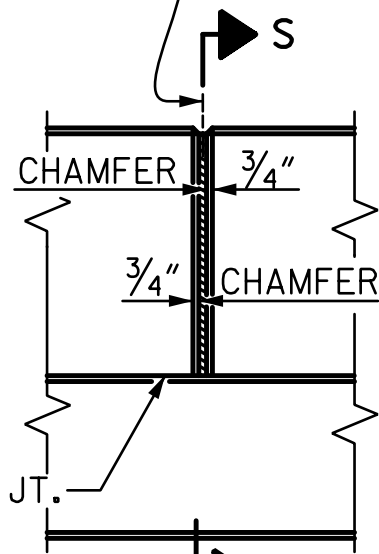


VERTICAL CONCRETE BARRIER RAIL SECTION

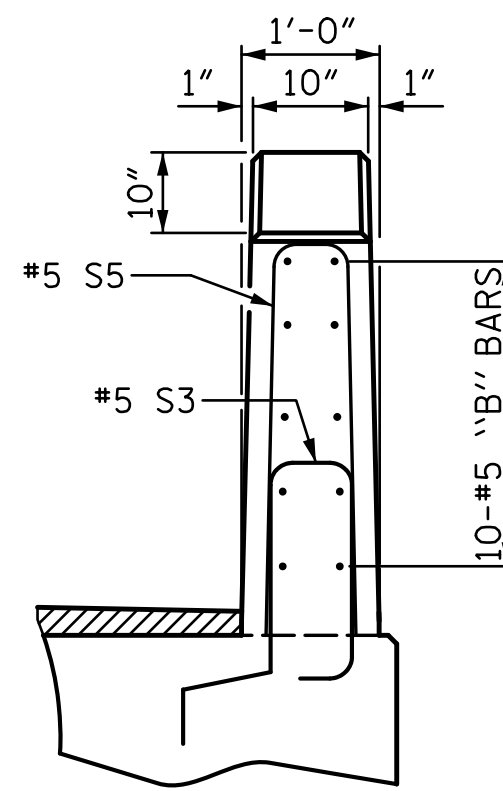


SECTION S-S
AT DAM IN OPEN JOINT
(THIS IS TO BE USED ONLY
WHEN SLIP FORM IS USED)

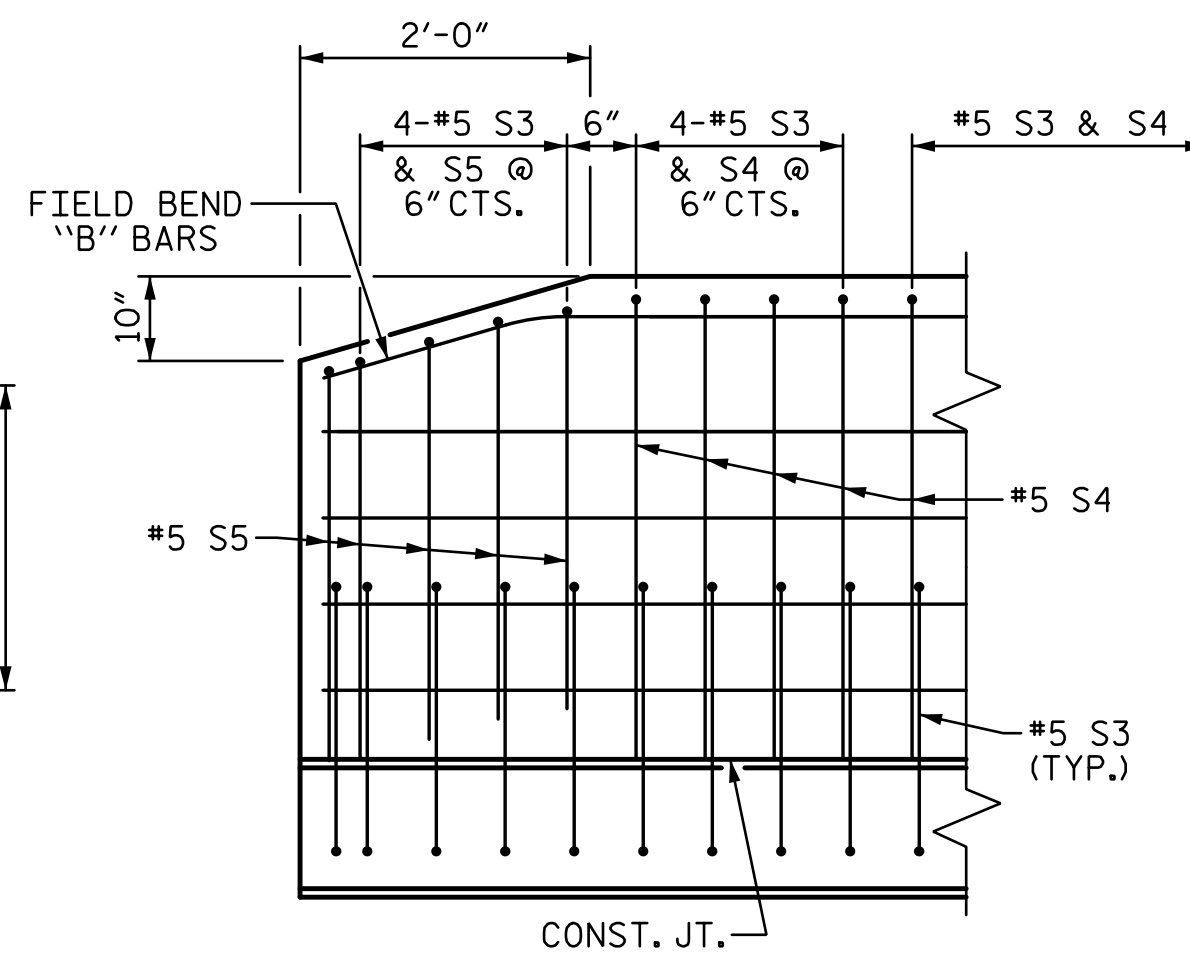
1/2" EXP. JT. MAT'L HELD IN PLACE WITH GALVANIZED NAILS.
(NOTE: OMIT EXP. JT. MAT'L WHEN SLIP FORM IS USED)



ELEVATION AT EXPANSION JOINTS



END VIEW



SIDE VIEW

END OF RAIL DETAILS

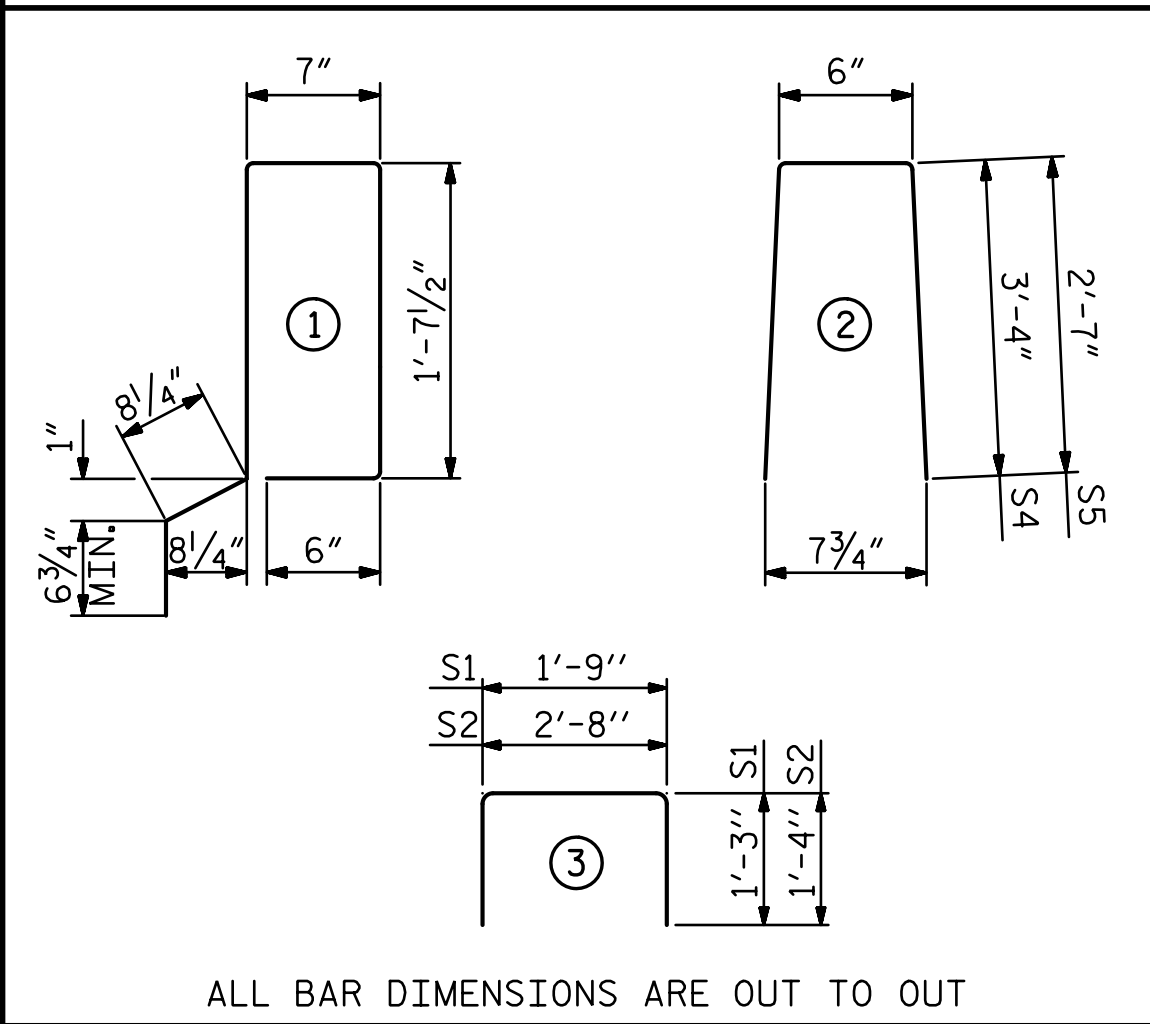
BILL OF MATERIAL FOR ONE 55' CORED SLAB UNIT

BAR	NUMBER	SIZE	TYPE	EXTERIOR UNIT		INTERIOR UNIT	
				LENGTH	WEIGHT	LENGTH	WEIGHT
B7	4	#4	STR	28'-3"	75	28'-3"	75
S1	8	#5	3	4'-3"	35	4'-3"	35
S2	128	#4	3	5'-4"	456	5'-4"	456
* S3	64	#5	1	5'-7"	373		
REINFORCING STEEL				LBS.	566		566
* EPOXY COATED REINFORCING STEEL				LBS.	373		
6500 P.S.I. CONCRETE				CU. YDS.	7.9		7.9
0.6" Ø L.R. STRANDS				No.	19		19

CONCRETE RELEASE STRENGTH

UNIT	PSI
55' UNITS	4900

BAR TYPES



ALL BAR DIMENSIONS ARE OUT TO OUT

BILL OF MATERIAL FOR VERTICAL CONCRETE BARRIER RAIL

BAR	BARS PER PAIR OF EXTERIOR UNITS	TOTAL NO.	SIZE	TYPE	LENGTH	WEIGHT
55' UNIT						
*B14	80	80	#5	STR	15'-5"	1286
* S4	108	108	#5	2	7'-2"	807
* S5	20	20	#5	2	5'-8"	118
* EPOXY COATED REINFORCING STEEL					LBS.	2211
CLASS AA CONCRETE					CU. YDS.	14.1
TOTAL VERTICAL CONCRETE BARRIER RAIL					LN. FT.	110.0

CORED SLABS REQUIRED

55' UNIT	NUMBER	LENGTH	TOTAL LENGTH
EXTERIOR C.S.	2	55'-0"	110'-0"
INTERIOR C.S.	8	55'-0"	440'-0"
TOTAL	10		550'-0"

DEAD LOAD DEFLECTION AND CAMBER

55' CORED SLAB UNIT	3'-0" x 1'-9" STRAND
0.6" Ø L.R. STRAND	
CAMBER (SLAB ALONE IN PLACE)	1/2" ↑
DEFLECTION DUE TO SUPERIMPOSED DEAD LOAD**	3/8" ↓
FINAL CAMBER	1/8" ↑

** INCLUDES FUTURE WEARING SURFACE

NOTES

ALL PRESTRESSING STRANDS SHALL BE 7-WIRE LOW RELAXATION GRADE 270 STRANDS AND SHALL CONFORM TO AASHTO M203 EXCEPT FOR SAMPLING REQUIREMENTS WHICH SHALL BE IN ACCORDANCE WITH THE STANDARD SPECIFICATIONS.

ALL REINFORCING STEEL CAST WITH THE CORED SLAB SECTIONS SHALL BE GRADE 60 AND SHALL BE INCLUDED IN THE UNIT PRICE BID FOR PRESTRESSED CONCRETE CORED SLABS.

RECESSES FOR TRANSVERSE STRANDS SHALL BE GROUTED AFTER THE TENSIONING OF THE STRANDS.

THE 2 1/2" Ø DOWEL HOLES AT FIXED ENDS OF SLAB SECTIONS SHALL BE FILLED WITH NON-SHRINK GROUT.

THE BACKER RODS SHALL CONFORM TO THE REQUIREMENTS OF TYPE M BOND BREAKER. SEE SECTION 1028 OF THE STANDARD SPECIFICATIONS.

WHEN CORED SLABS ARE CAST, AN INTERNAL HOLD-DOWN SYSTEM SHALL BE EMPLOYED TO PREVENT VOIDS FROM RISING OR MOVING SIDEWAYS. AT LEAST SIX WEEKS PRIOR TO CASTING CORED SLABS, THE CONTRACTOR SHALL SUBMIT TO THE ENGINEER FOR REVIEW AND COMMENT, DETAILED DRAWINGS OF THE PROPOSED HOLD-DOWN SYSTEM. IN ADDITION TO STRUCTURAL DETAILS, LOCATION AND SPACING OF THE HOLD-DOWNS SHALL BE INDICATED.

ALL REINFORCING STEEL IN THE VERTICAL CONCRETE BARRIER RAIL SHALL BE EPOXY COATED.

PRESTRESSING STRANDS SHALL BE CUT FLUSH WITH THE CORED SLAB UNIT ENDS.

APPLY EPOXY PROTECTIVE COATING TO CORED SLAB UNIT ENDS.

GROOVED CONTRACTION JOINTS, 1/2" IN DEPTH, SHALL BE TOOLED IN ALL EXPOSED FACES OF THE BARRIER RAIL AND IN ACCORDANCE WITH ARTICLE 825-10(B) OF THE STANDARD SPECIFICATIONS. A CONTRACTION JOINT SHALL BE LOCATED AT EACH THIRD POINT BETWEEN BARRIER RAIL EXPANSION JOINTS. ONLY ONE CONTRACTION JOINT IS REQUIRED AT MIDPOINT OF BARRIER RAIL SEGMENTS LESS THAN 20 FEET IN LENGTH AND NO CONTRACTION JOINTS ARE REQUIRED FOR THOSE SEGMENTS LESS THAN 10 FEET IN LENGTH.

FLAME CUTTING OF THE TRANSVERSE POST-TENSIONING STRAND IS NOT ALLOWED.

THE TRANSFER OF LOAD FROM THE ANCHORAGES TO THE CORED SLAB UNIT SHALL BE DONE WHEN THE CONCRETE HAS REACHED A COMPRESSIVE STRENGTH OF NOT LESS THAN THE REQUIRED STRENGTH SHOWN IN THE "CONCRETE RELEASE STRENGTH" TABLE.

FOR GROUT FOR STRUCTURES, SEE SPECIAL PROVISIONS.

THE PERMITTED THREADED INSERTS ARE DETAILED AS AN OPTION FOR THE CONTRACTOR TO ATTACH FALSEWORK AND FORMWORK DURING CONSTRUCTION.

THE PERMITTED THREADED INSERTS IN THE EXTERIOR UNITS SHALL BE SIZED BY THE CONTRACTOR, SPACED AT 4'-0" CENTERS AND GALVANIZED IN ACCORDANCE WITH SECTION 1076 OF THE STANDARD SPECIFICATIONS. STAINLESS STEEL THREADED INSERTS MAY BE USED AS AN ALTERNATE.

THE PERMITTED THREADED INSERTS SHALL BE GROUTED BY THE CONTRACTOR IMMEDIATELY FOLLOWING REMOVAL OF THE FALSEWORK.

THE COST OF THE PERMITTED THREADED INSERTS SHALL BE INCLUDED IN THE PRICE BID FOR THE PRECAST UNITS.

GRADE 270 STRANDS

AREA (SQUARE INCHES)	0.6" Ø L.R.
ULTIMATE STRENGTH (LBS. PER STRAND)	58,600
APPLIED PRESTRESS (LBS. PER STRAND)	43,950

PROJECT NO. **B-5377**

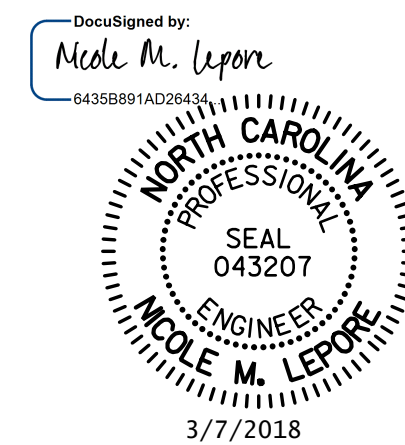
UNION COUNTY

STATION: **16+81.00 -L-**

SHEET 3 OF 3

STATE OF NORTH CAROLINA
DEPARTMENT OF TRANSPORTATION
RALEIGH
STANDARD
3'-0" X 1'-9"
PRESTRESSED CONCRETE
CORED SLAB UNIT
105° SKEW

REVISIONS				SHEET NO.
NO.	BY:	DATE:	NO.	DATE:
1			3	
2			4	

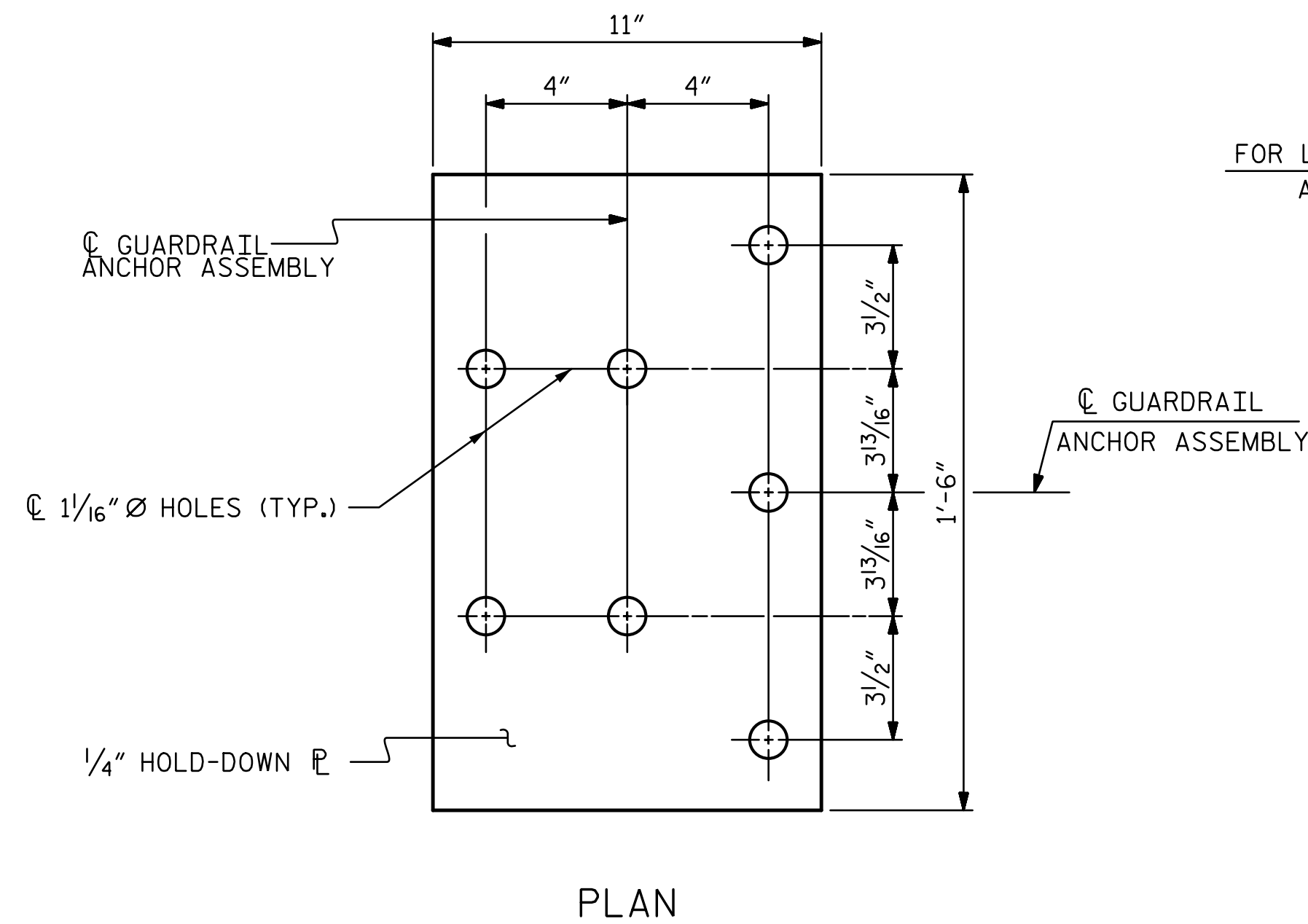


STV 100 YEARS
STV ENGINEERS, INC.
900 West Trade St., Suite 715
Charlotte, NC 28202
NC License Number F-0991

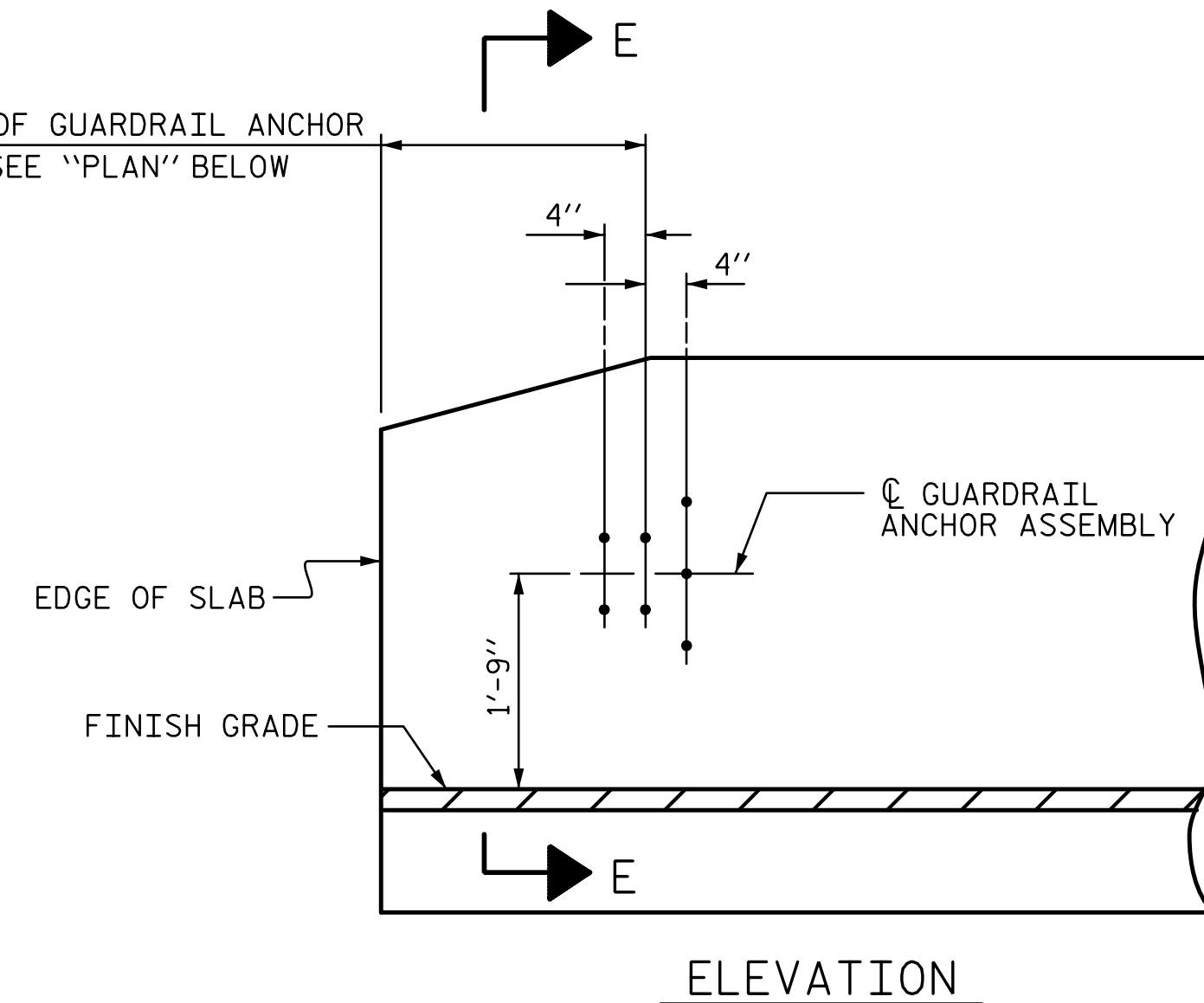
DOCUMENT NOT CONSIDERED FINAL UNLESS ALL SIGNATURES COMPLETED

ASSEMBLED BY : LEM	DATE : 1-18
CHECKED BY : MLO	DATE : 1-18
DESIGN ENGINEER OF RECORD : NML	DATE : 2-18
DRAWN BY : DGE 5/09	REV. 11/14
CHECKED BY : BCH 6/09	MAA/TMG

R:\Structures\Station\Finals\401_013_B-5377_SML_GRA_001_89057.dgn 12:23:36 PM 3/7/2018

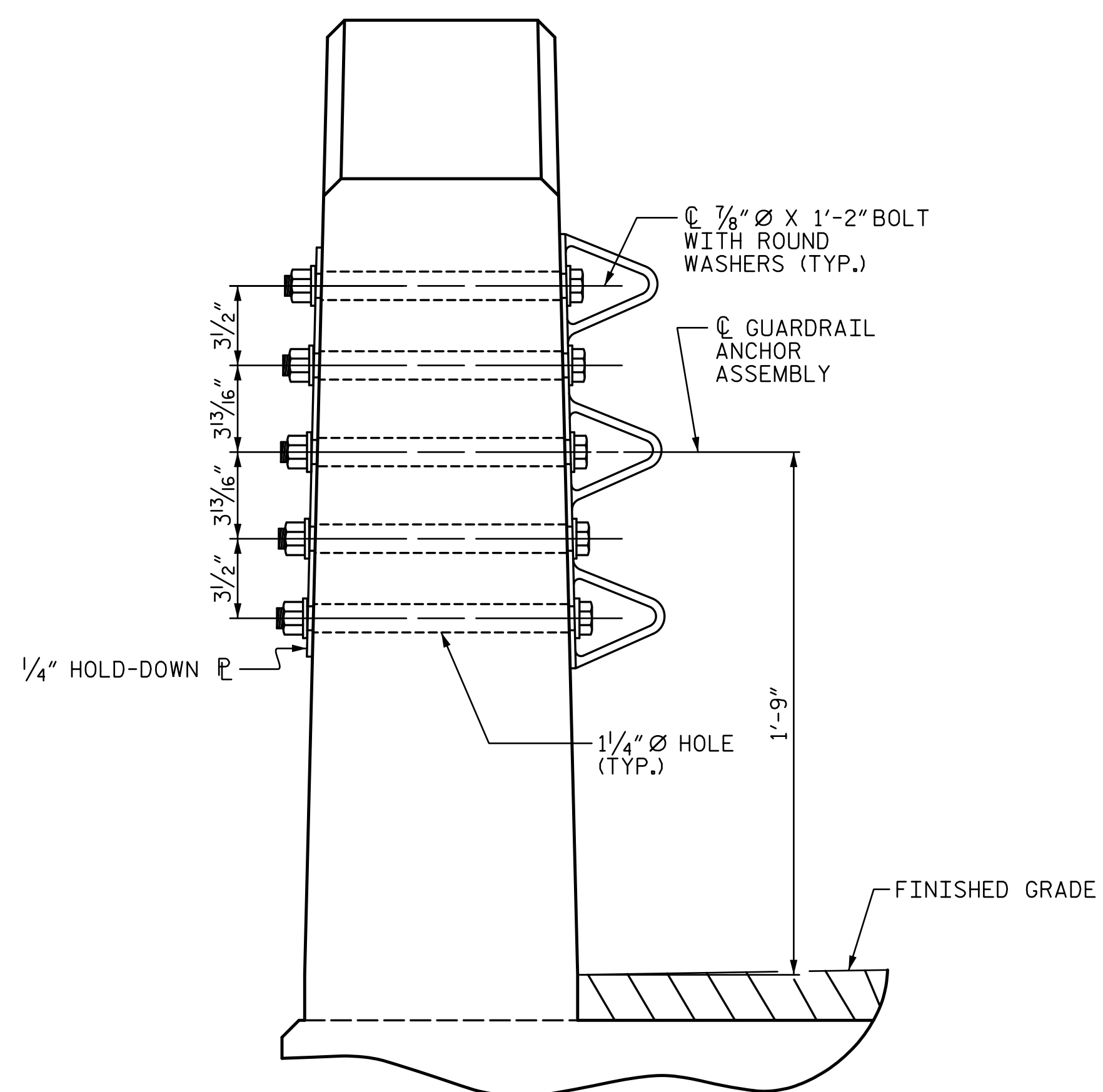


FOR LOCATION OF GUARDRAIL ANCHOR ASSEMBLY, SEE "PLAN" BELOW



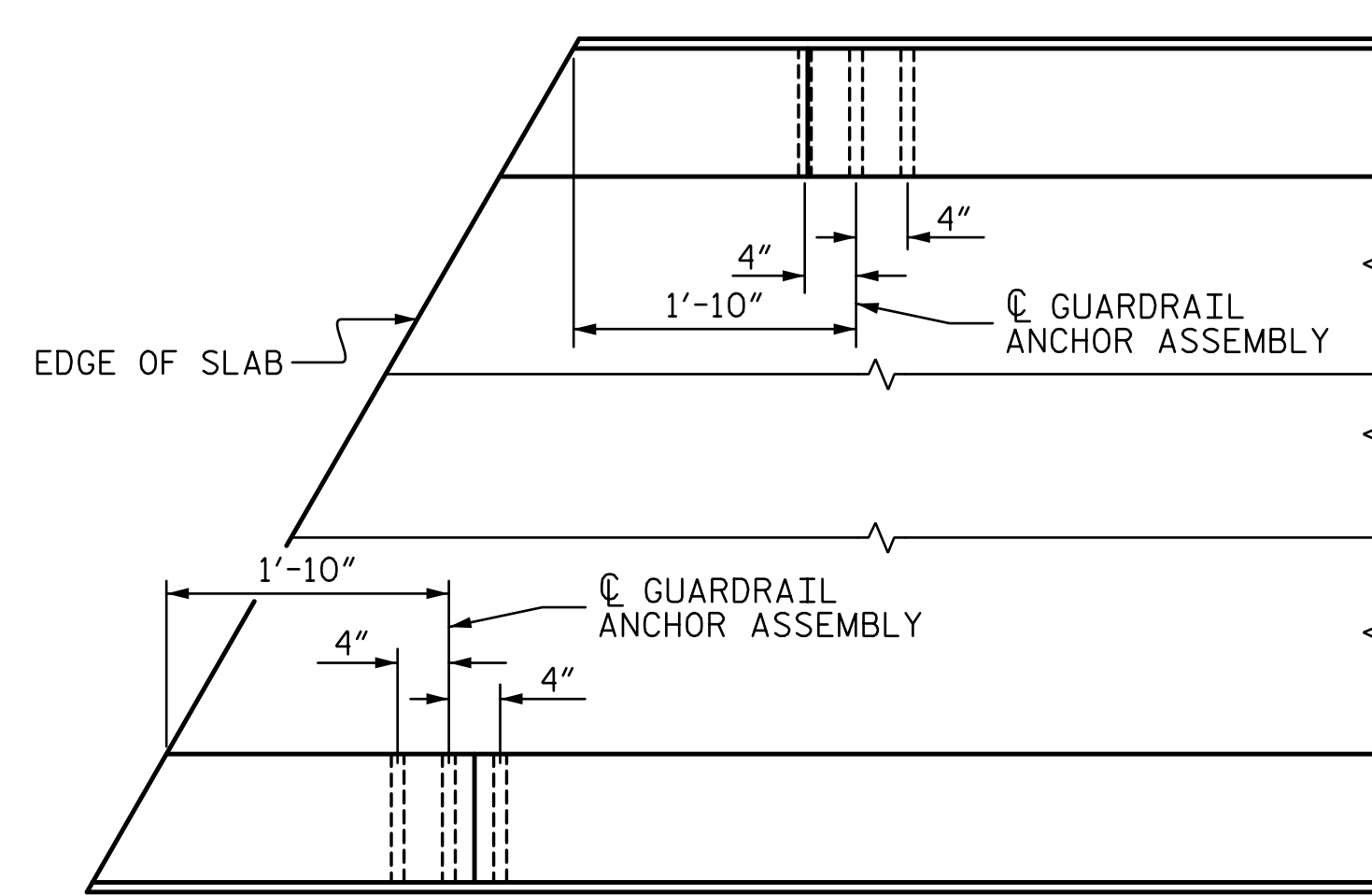
PLAN

ELEVATION



SECTION E-E

GUARDRAIL ANCHOR ASSEMBLY DETAILS



PLAN

LOCATION OF ANCHORS FOR GUARDRAIL

END BENT #1 SHOWN, END BENT #2 SIMILAR.



SKETCH SHOWING POINTS OF ATTACHMENT

* DENOTES GUARDRAIL ANCHOR ASSEMBLY

NOTES

THE GUARDRAIL ANCHOR ASSEMBLY SHALL CONSIST OF A 1/4" HOLD DOWN PLATE AND 7 - 7/8" Ø BOLTS WITH NUTS AND WASHERS.

THE HOLD-DOWN PLATE SHALL CONFORM TO AASHTO M270 GRADE 36. AFTER FABRICATION, THE HOLD-DOWN PLATE SHALL BE HOT-DIP GALVANIZED IN ACCORDANCE WITH AASHTO M111.

BOLTS SHALL CONFORM TO THE REQUIREMENTS OF ASTM A307 AND NUTS SHALL CONFORM TO THE REQUIREMENTS OF AASHTO M291. BOLTS, NUTS AND WASHERS SHALL BE GALVANIZED. (AT THE CONTRACTOR'S OPTION, STAINLESS STEEL BOLTS, NUTS AND WASHERS MAY BE USED AS AN ALTERNATE FOR THE 7/8" Ø GALVANIZED BOLTS, NUTS AND WASHERS. THEY SHALL CONFORM TO OR EXCEED THE MECHANICAL REQUIREMENTS OF ASTM A307. THE USE OF THIS ALTERNATE SHALL BE APPROVED BY THE ENGINEER.)

THE GUARDRAIL ANCHOR ASSEMBLY IS REQUIRED AT ALL POINTS WHERE APPROACH GUARDRAIL IS TO BE ATTACHED TO THE END OF BARRIER RAIL. FOR POINTS OF ATTACHMENT, SEE SKETCH.

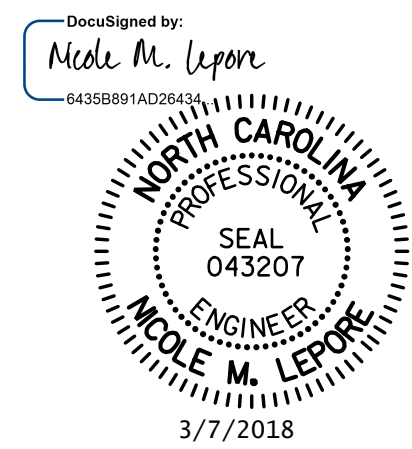
AFTER INSTALLATION, THE EXPOSED THREAD OF THE BOLT SHALL BE BURRED WITH A SHARP POINTED TOOL.

THE COST OF THE GUARDRAIL ANCHOR ASSEMBLY SHALL BE INCLUDED IN THE UNIT CONTRACT PRICE BID FOR VERTICAL CONCRETE BARRIER RAIL.

THE VERTICAL REINFORCING BARS MAY BE SHIFTED SLIGHTLY IN THE VERTICAL CONCRETE BARRIER RAIL TO CLEAR ASSEMBLY BOLTS.

THE 1 1/4" Ø HOLES SHALL BE FORMED OR DRILLED WITH A CORE BIT. IMPACT TOOLS WILL NOT BE PERMITTED. ANY CONCRETE DAMAGED BY THIS WORK SHALL BE REPAIRED TO THE SATISFACTION OF THE ENGINEER.

PROJECT NO. B-5377
UNION COUNTY
 STATION: 16+81.00 -L-



STV 100 YEARS
 STV ENGINEERS, INC.
 900 West Trade St., Suite 715
 Charlotte, NC 28202
 NC License Number F-0991

DOCUMENT NOT CONSIDERED FINAL UNLESS ALL SIGNATURES COMPLETED

STATE OF NORTH CAROLINA
 DEPARTMENT OF TRANSPORTATION
 RALEIGH
 STANDARD
 GUARDRAIL ANCHORAGE
 DETAILS FOR
 VERTICAL CONCRETE
 BARRIER RAIL

REVISIONS					SHEET NO.
NO.	BY:	DATE:	NO.	BY:	DATE:
1			3		
2			4		

TOTAL SHEETS 13

ASSEMBLED BY : LEM	DATE : 1-18
CHECKED BY : MLO	DATE : 1-18
DESIGN ENGINEER OF RECORD : NML	DATE : 2-18
DRAWN BY : MAA 5/10	REV. 6/13 MAA/GM
CHECKED BY : GM 5/10	REV. 1/15 MAA/TMG
	REV. 12/17 MAA/THC

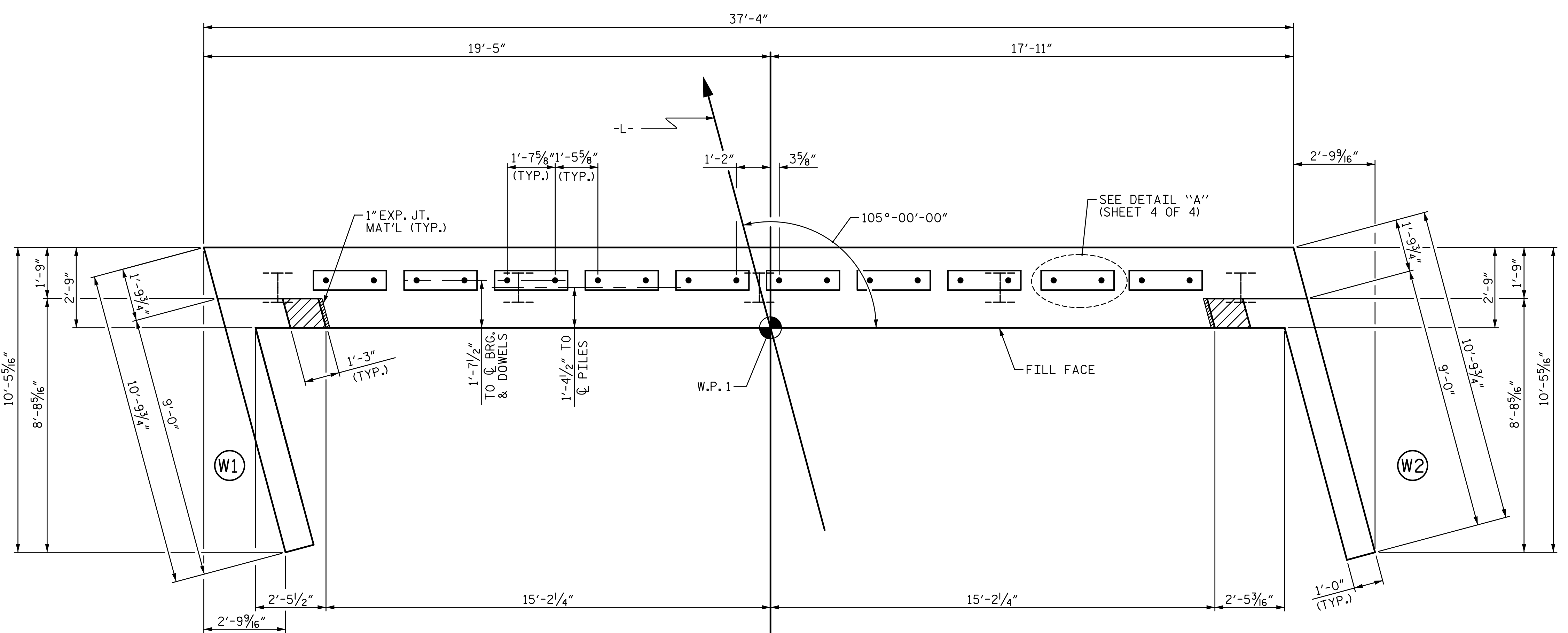
NOTES

STIRRUPS IN CAP MAY BE SHIFTED AS NECESSARY TO CLEAR DOWELS.

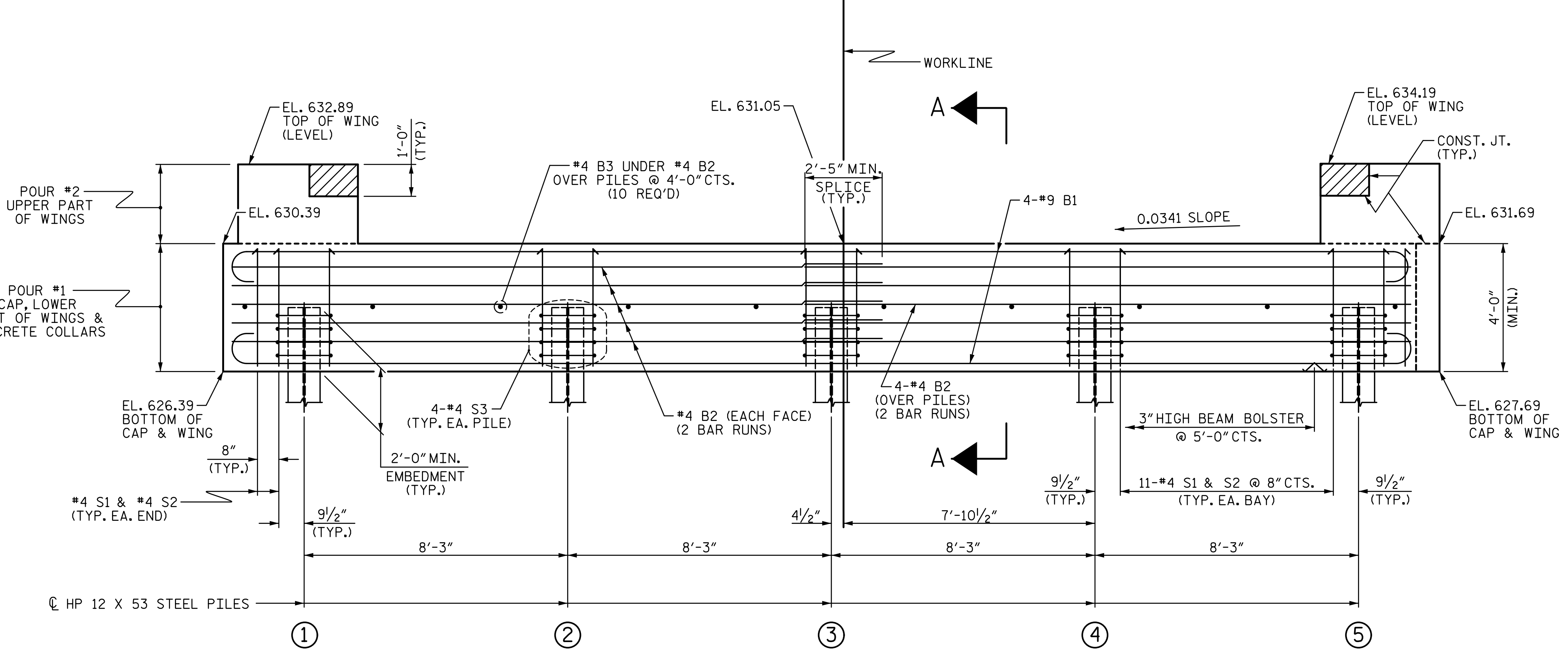
THE CONCRETE IN THE SHADED AREA OF THE WING SHALL BE POURED AFTER THE VERTICAL CONCRETE BARRIER RAIL IS CAST IF SLIP FORMING IS USED.

FOR PILE SPLICE DETAILS, SEE SHEET 4 OF 4.

FOR WING DETAILS, SEE SHEET 3 OF 4.



PLAN



ELEVATION

TOP OF PILE ELEVATIONS	
①	628.49
②	628.77
③	629.05
④	629.33
⑤	629.62

PROJECT NO. B-5377

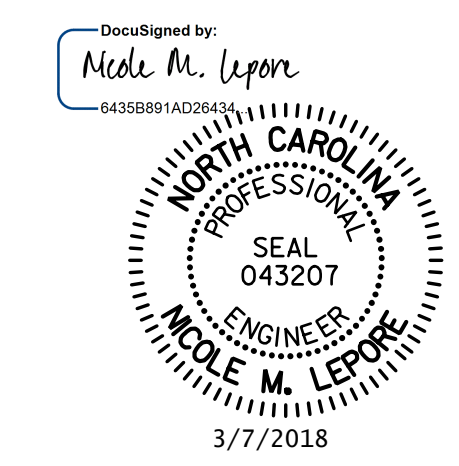
UNION COUNTY

STATION: 16+81.00 -L-

SHEET 1 OF 4

STATE OF NORTH CAROLINA
 DEPARTMENT OF TRANSPORTATION
 RALEIGH

**SUBSTRUCTURE
 END BENT No. 1**



STV 100 YEARS
 STV ENGINEERS, INC.
 900 West Trade St., Suite 715
 Charlotte, NC 28202
 NC License Number F-0991

DOCUMENT NOT CONSIDERED
 FINAL UNLESS ALL
 SIGNATURES COMPLETED

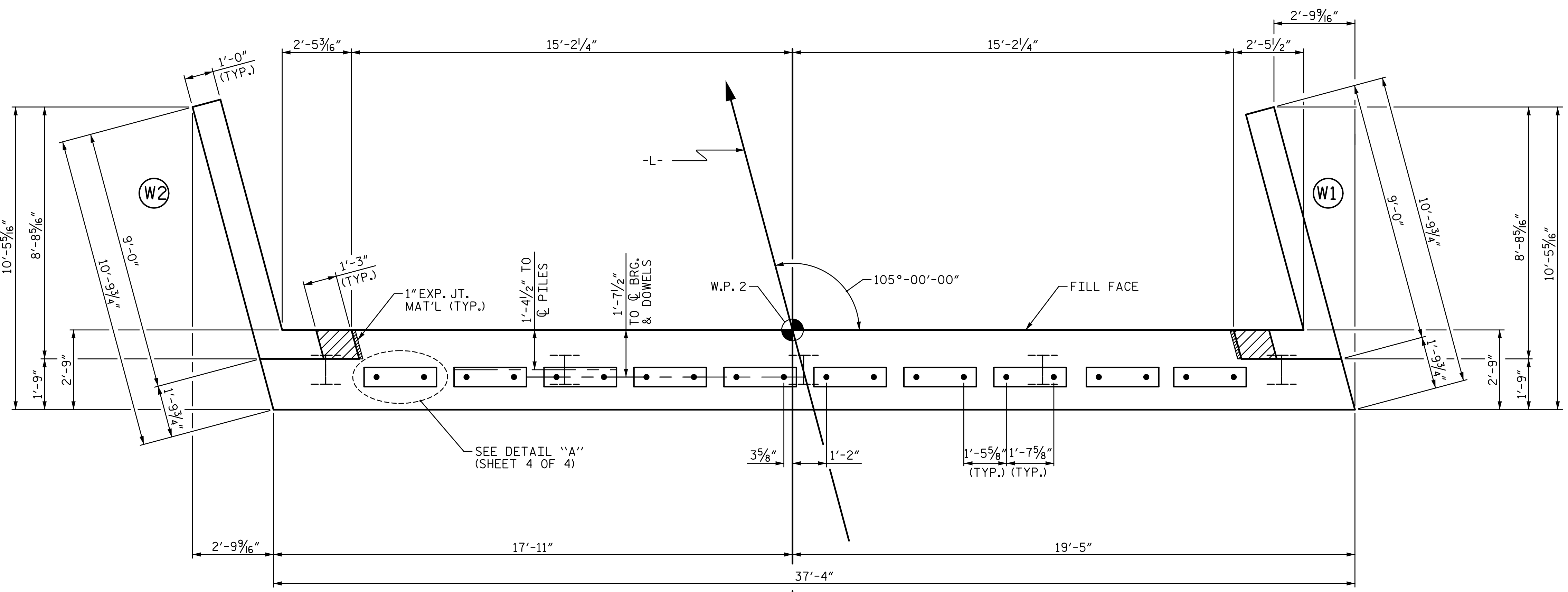
WINGS NOT SHOWN FOR CLARITY.
 FOR SECTION A-A, SEE SHEET 4 OF 4.
 CONCRETE COLLARS FOR STEEL PILES NOT SHOWN IN PLAN AND ELEVATION VIEWS FOR CLARITY.
 SEE "CORROSION PROTECTION FOR STEEL PILES DETAIL", SHEET 4 OF 4.

ASSEMBLED BY : LEM	DATE : 1-18
CHECKED BY : MLO	DATE : 1-18
DESIGN ENGINEER OF RECORD : NML	DATE : 2-18
DRAWN BY : WJH 12/11	REV. 4/15
CHECKED BY : AAC 12/11	MAA/TMG

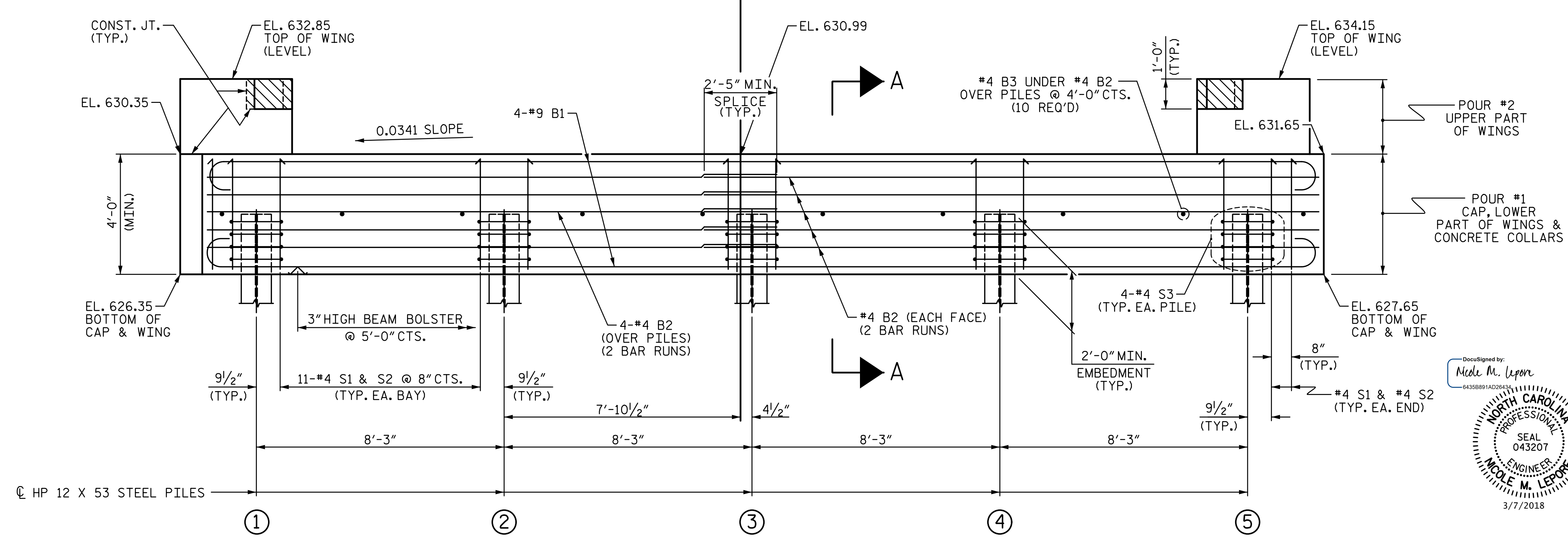
REVISIONS				SHEET NO.
NO.	BY:	DATE:	NO.	DATE:
1			3	
2			4	

S-8
 TOTAL SHEETS 13

R:\Structures\Station\Finals\401_OT_B-5377_SML_EB02_009_890157.dgn 3/7/2018 12:23:39 PM



PLAN



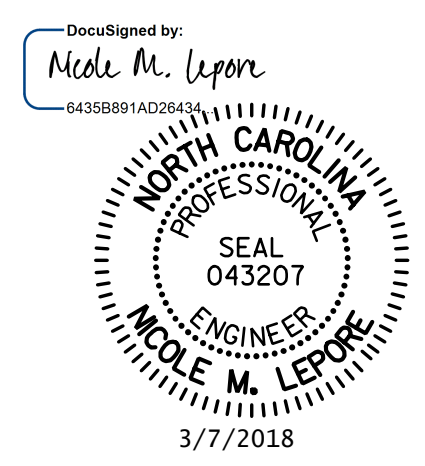
ELEVATION

NOTES

- STIRRUPS IN CAP MAY BE SHIFTED AS NECESSARY TO CLEAR DOWELS.
- THE CONCRETE IN THE SHADED AREA OF THE WING SHALL BE POURED AFTER THE VERTICAL CONCRETE BARRIER RAIL IS CAST IF SLIP FORMING IS USED.
- FOR PILE SPLICE DETAILS, SEE SHEET 4 OF 4.
- FOR WING DETAILS, SEE SHEET 3 OF 4.

TOP OF PILE ELEVATIONS	
①	628.45
②	628.73
③	629.01
④	629.29
⑤	629.58

PROJECT NO. B-5377
 UNION COUNTY
 STATION: 16+81.00 -L-
 SHEET 2 OF 4



STATE OF NORTH CAROLINA
 DEPARTMENT OF TRANSPORTATION
 RALEIGH
 SUBSTRUCTURE
 END BENT No. 2

ASSEMBLED BY : LEM	DATE : 1-18
CHECKED BY : MLO	DATE : 1-18
DESIGN ENGINEER OF RECORD : NML	DATE : 2-18
DRAWN BY : WJH 12/11	REV. 4/15 MAA/TMG
CHECKED BY : AAC 12/11	

WINGS NOT SHOWN FOR CLARITY.
 FOR SECTION A-A, SEE SHEET 4 OF 4.
 CONCRETE COLLARS FOR STEEL PILES NOT SHOWN IN PLAN AND ELEVATION VIEWS FOR CLARITY.
 SEE "CORROSION PROTECTION FOR STEEL PILES DETAIL", SHEET 4 OF 4.

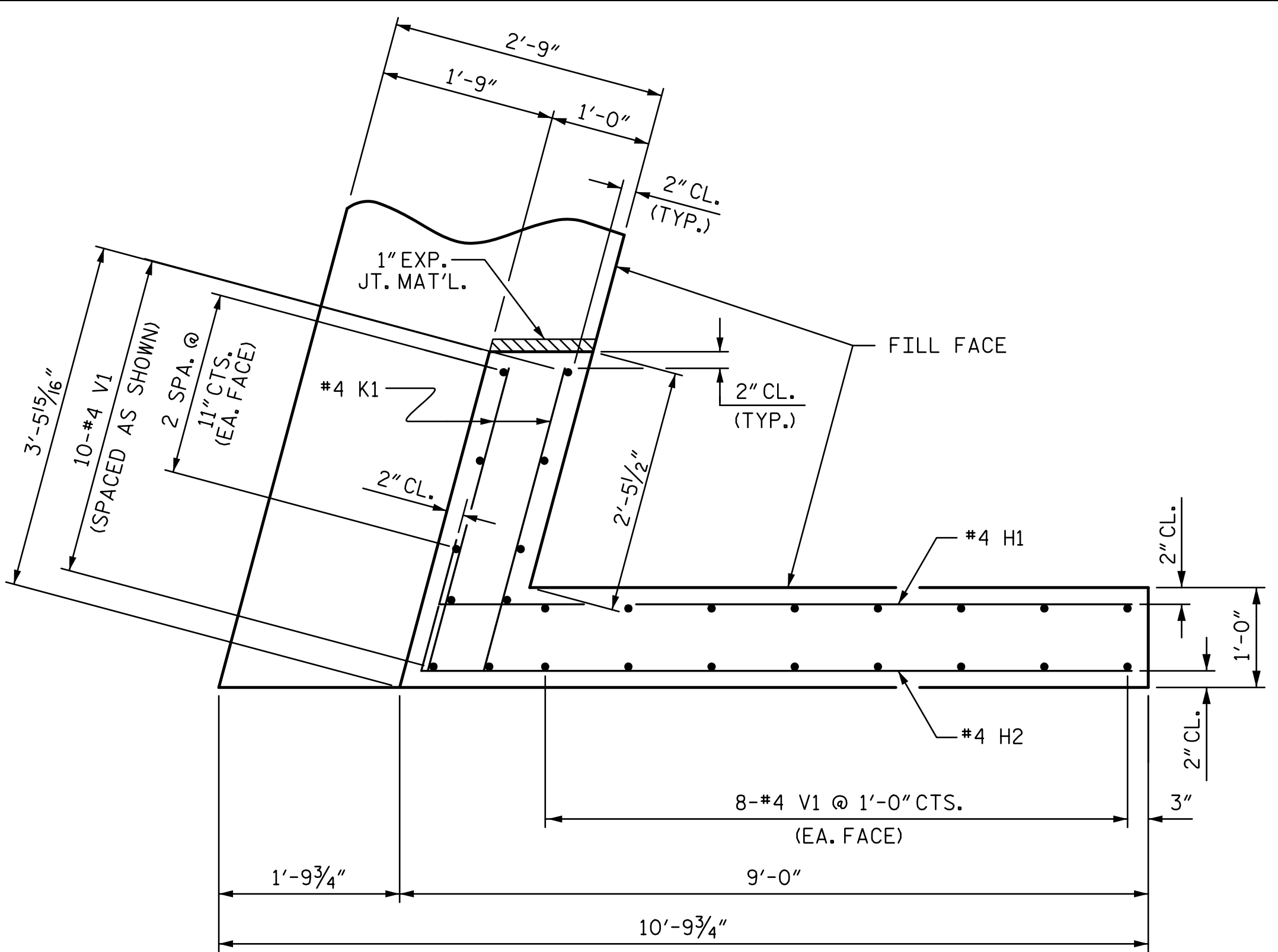
STV 100 YEARS STV ENGINEERS, INC.
 900 West Trade St., Suite 715
 Charlotte, NC 28202
 NC License Number F-0991

DOCUMENT NOT CONSIDERED
 FINAL UNLESS ALL
 SIGNATURES COMPLETED

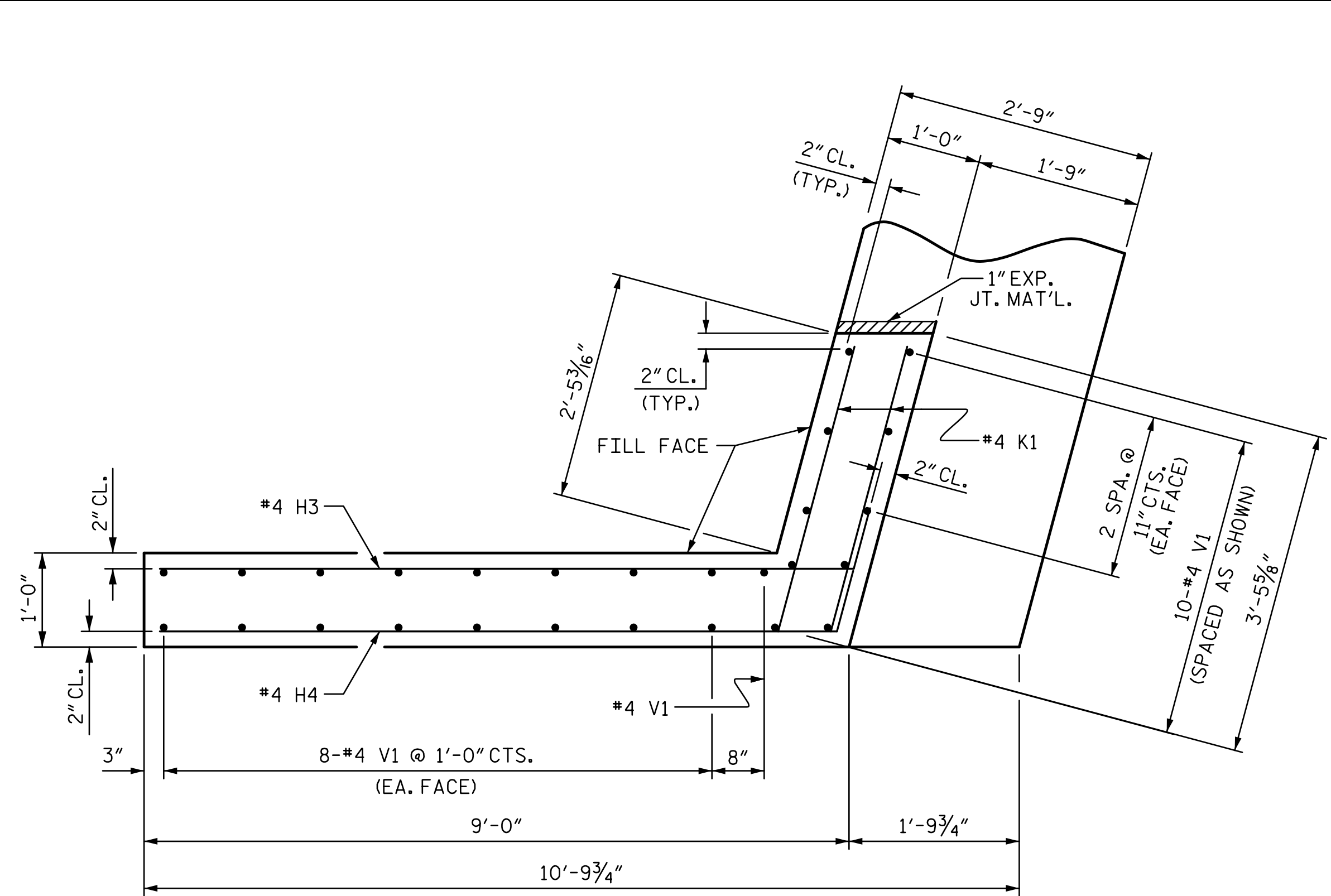
REVISIONS				SHEET NO.
NO.	BY:	DATE:	NO.	DATE:
1			3	
2			4	

S-9
TOTAL SHEETS 13

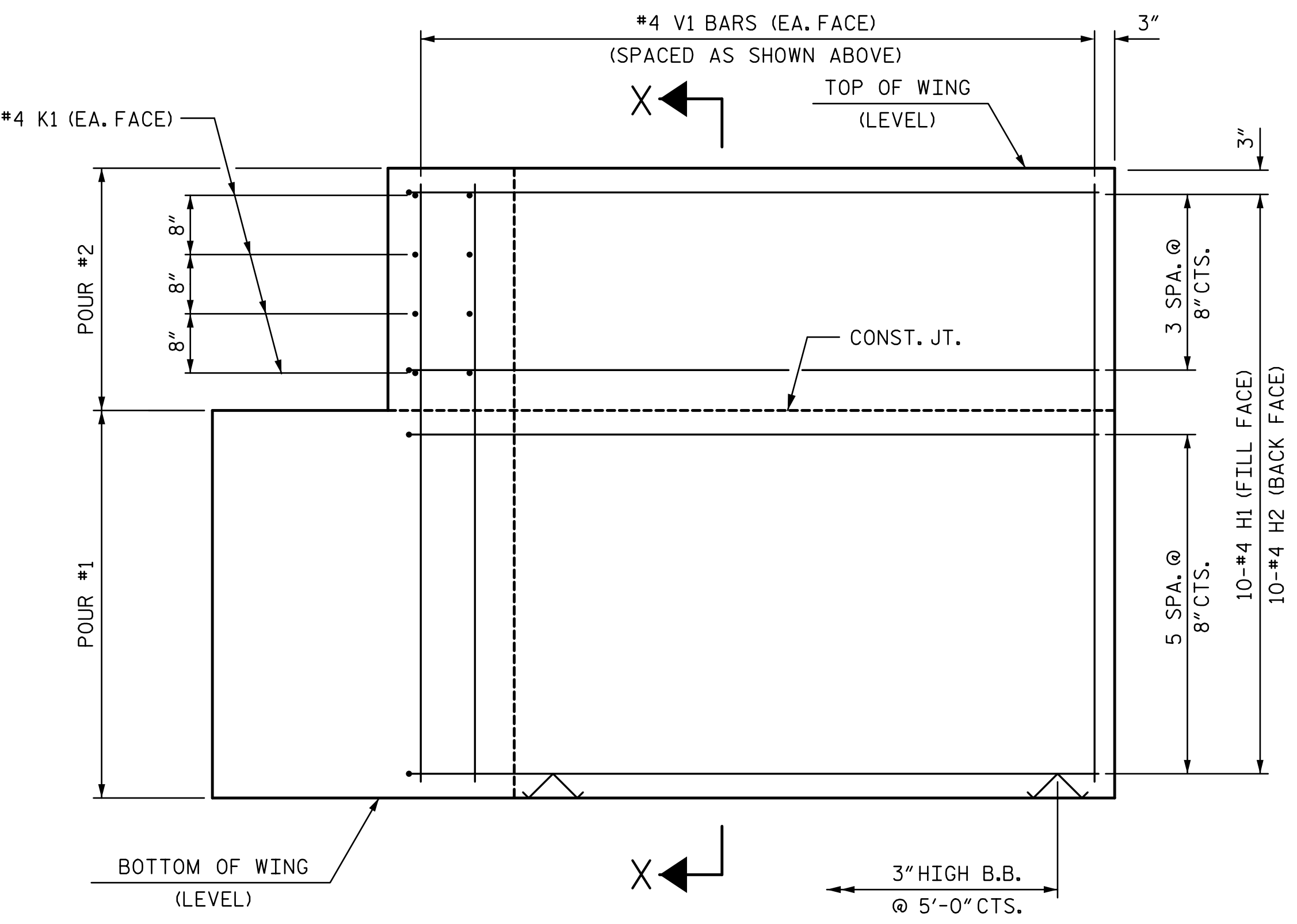
R:\Structures\Station\Finals\401_019_B-5377_SML_EB03_00_890157.dgn 12:23:41 PM 3/7/2018



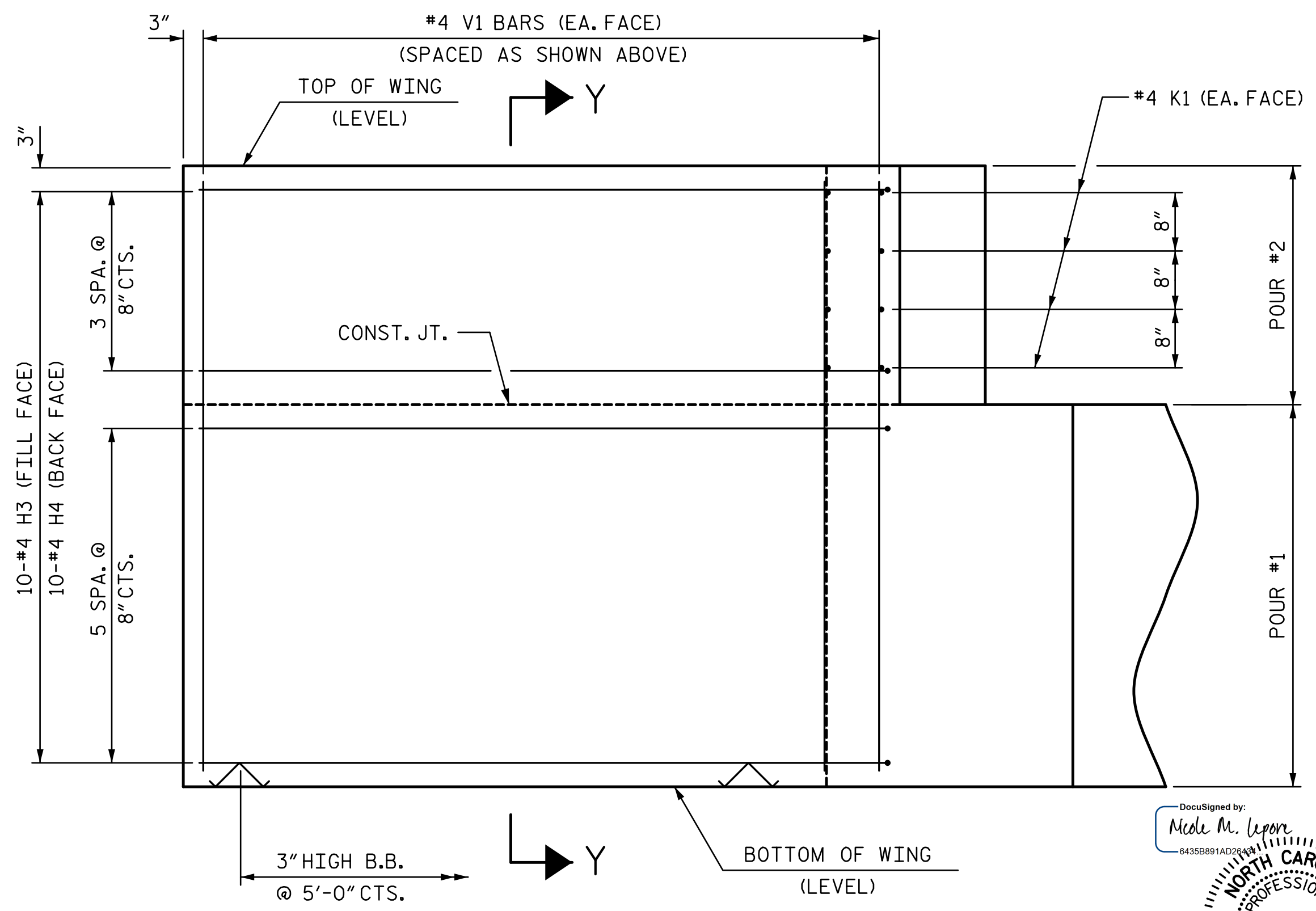
PLAN OF WING (W1)



PLAN OF WING (W2)

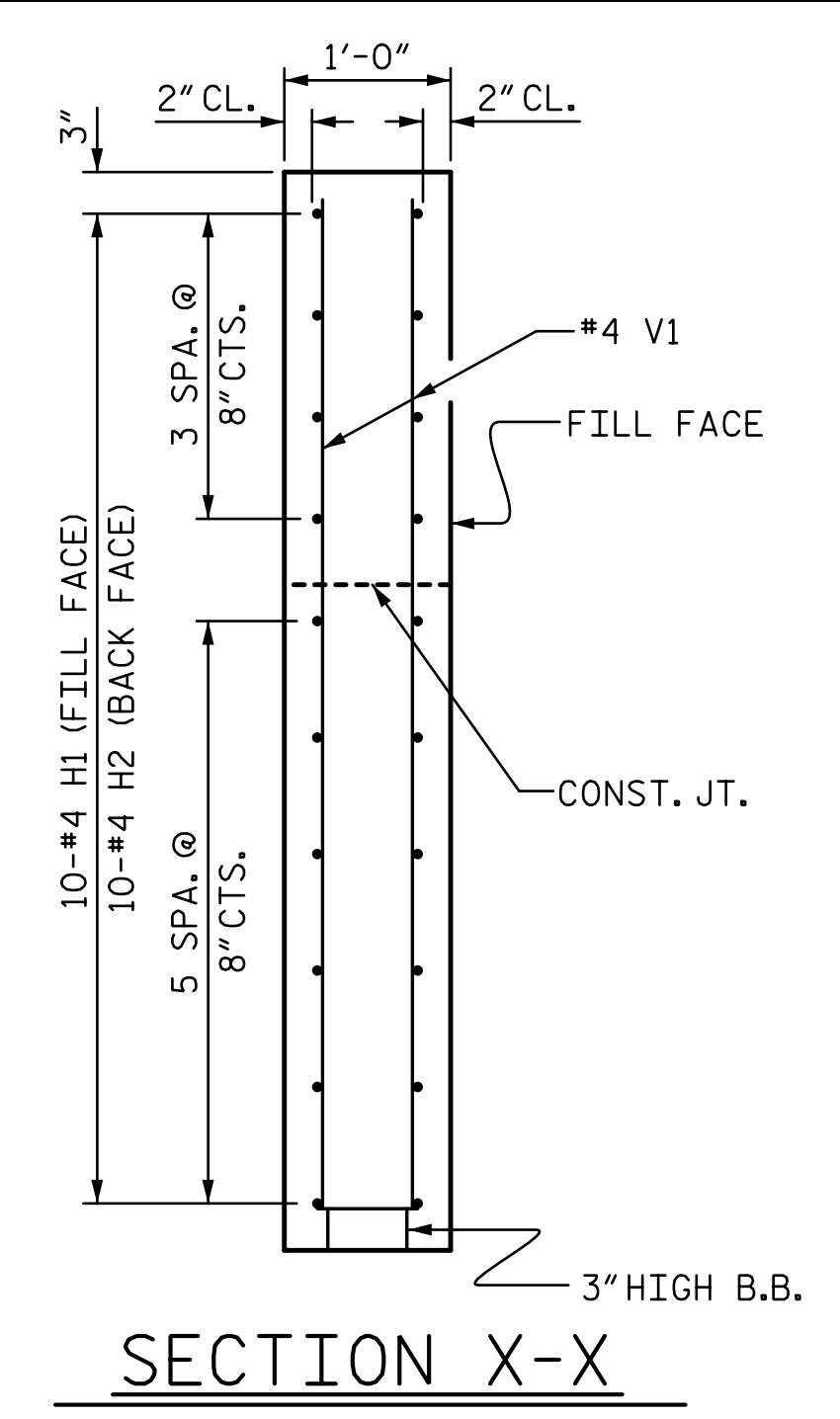


ELEVATION OF WING (W1)

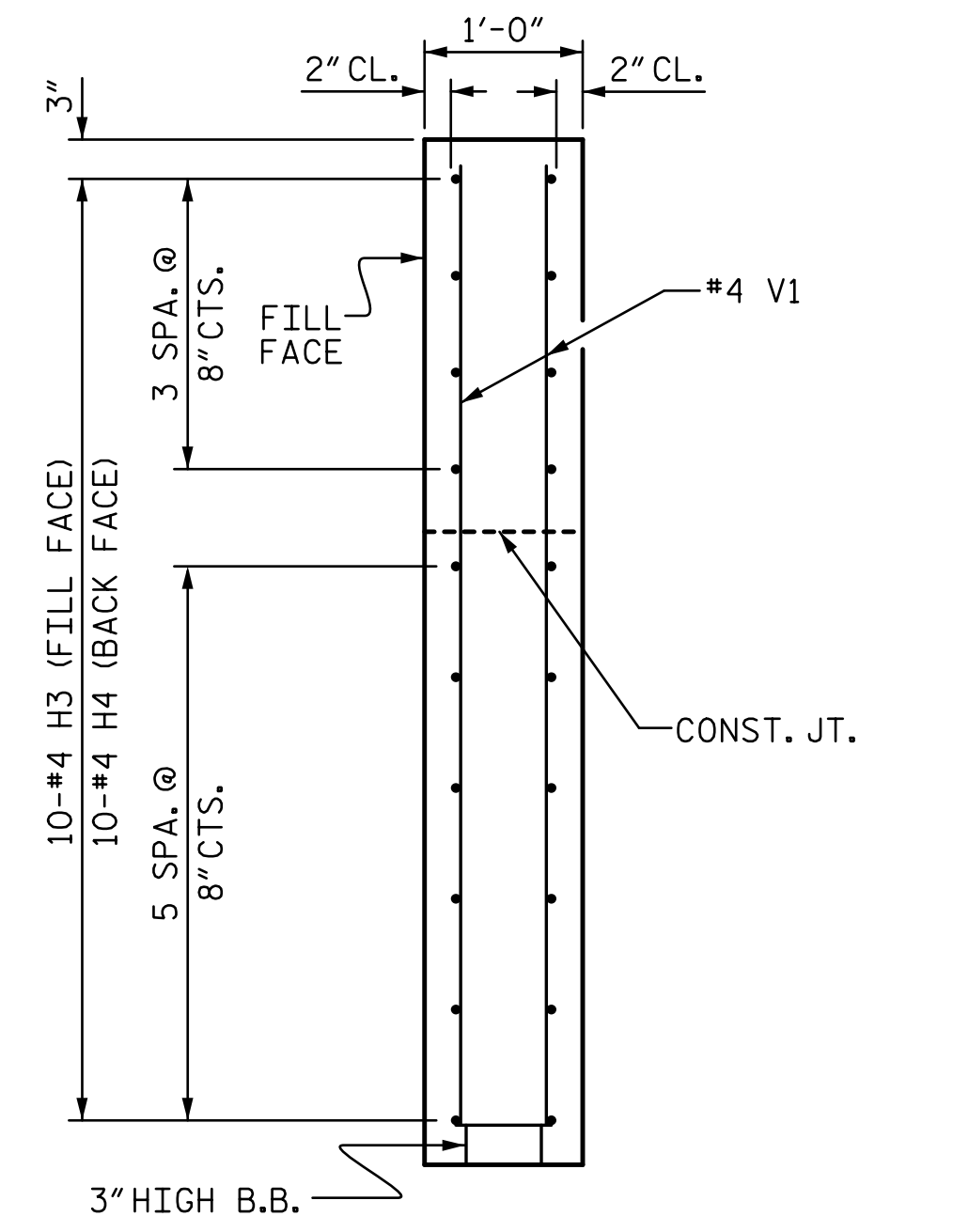


ELEVATION OF WING (W2)

WING DETAILS



SECTION X-X

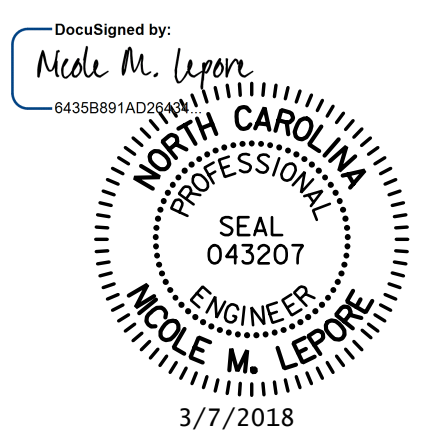


SECTION Y-Y

PROJECT NO. B-5377
 UNION COUNTY
 STATION: 16+81.00 -L-
 SHEET 3 OF 4

STATE OF NORTH CAROLINA
 DEPARTMENT OF TRANSPORTATION
 RALEIGH

SUBSTRUCTURE
 END BENT
 WING DETAILS



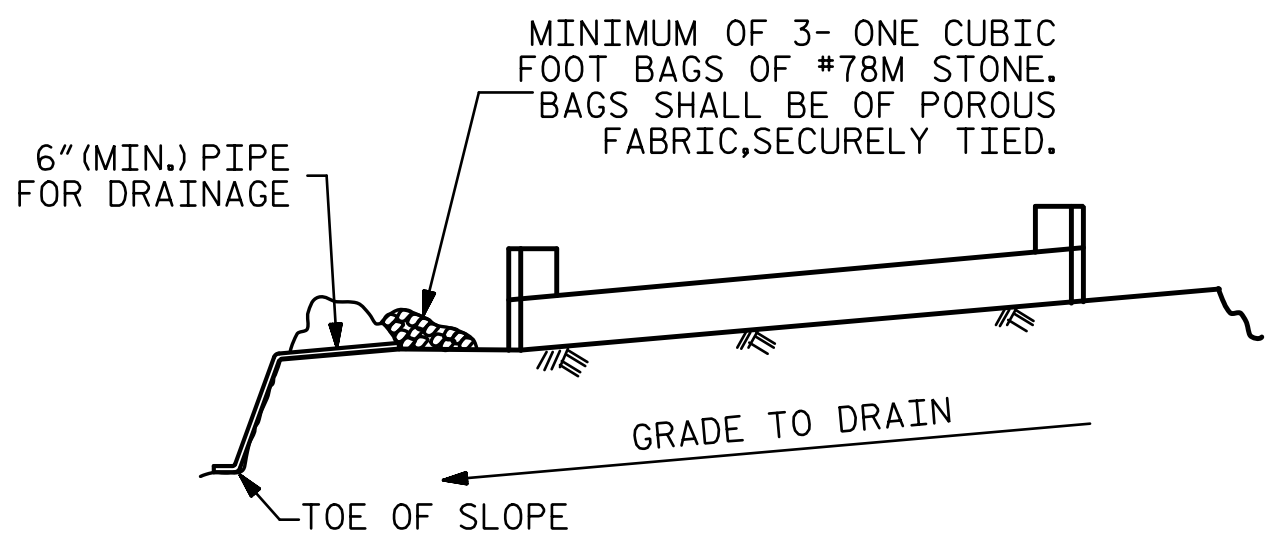
STV ENGINEERS, INC.
 900 West Trade St., Suite 715
 Charlotte, NC 28202
 NC License Number F-0991

DOCUMENT NOT CONSIDERED
 FINAL UNLESS ALL
 SIGNATURES COMPLETED

ASSEMBLED BY : LEM	DATE : 1-18
CHECKED BY : MLO	DATE : 1-18
DESIGN ENGINEER OF RECORD : NML	DATE : 2-18
DRAWN BY : WJH 12/11	REV. 4/15 MAA/TMG
CHECKED BY : AAC 12/11	

REVISIONS					SHEET NO.
NO.	BY:	DATE:	NO.	BY:	DATE:
1			3		
2			4		

TOTAL SHEETS 13

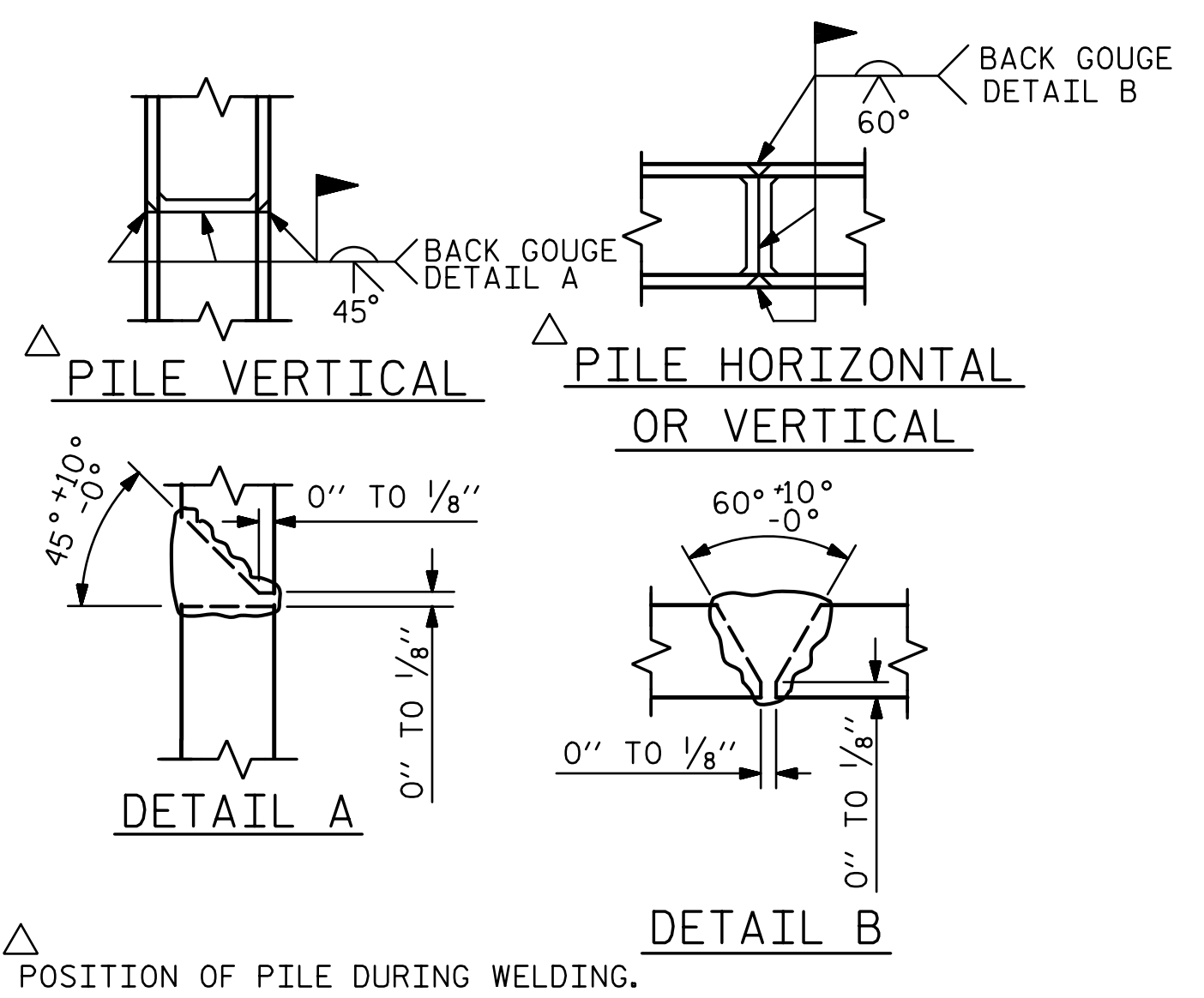


BAGGED STONE AND PIPE SHALL BE PLACED IMMEDIATELY AFTER COMPLETION OF END BENT EXCAVATION. PIPE MAY BE EITHER CONCRETE, CORRUGATED STEEL, CORRUGATED ALUMINUM ALLOY, OR CORRUGATED PLASTIC. PERFORATED PIPE WILL NOT BE ALLOWED.

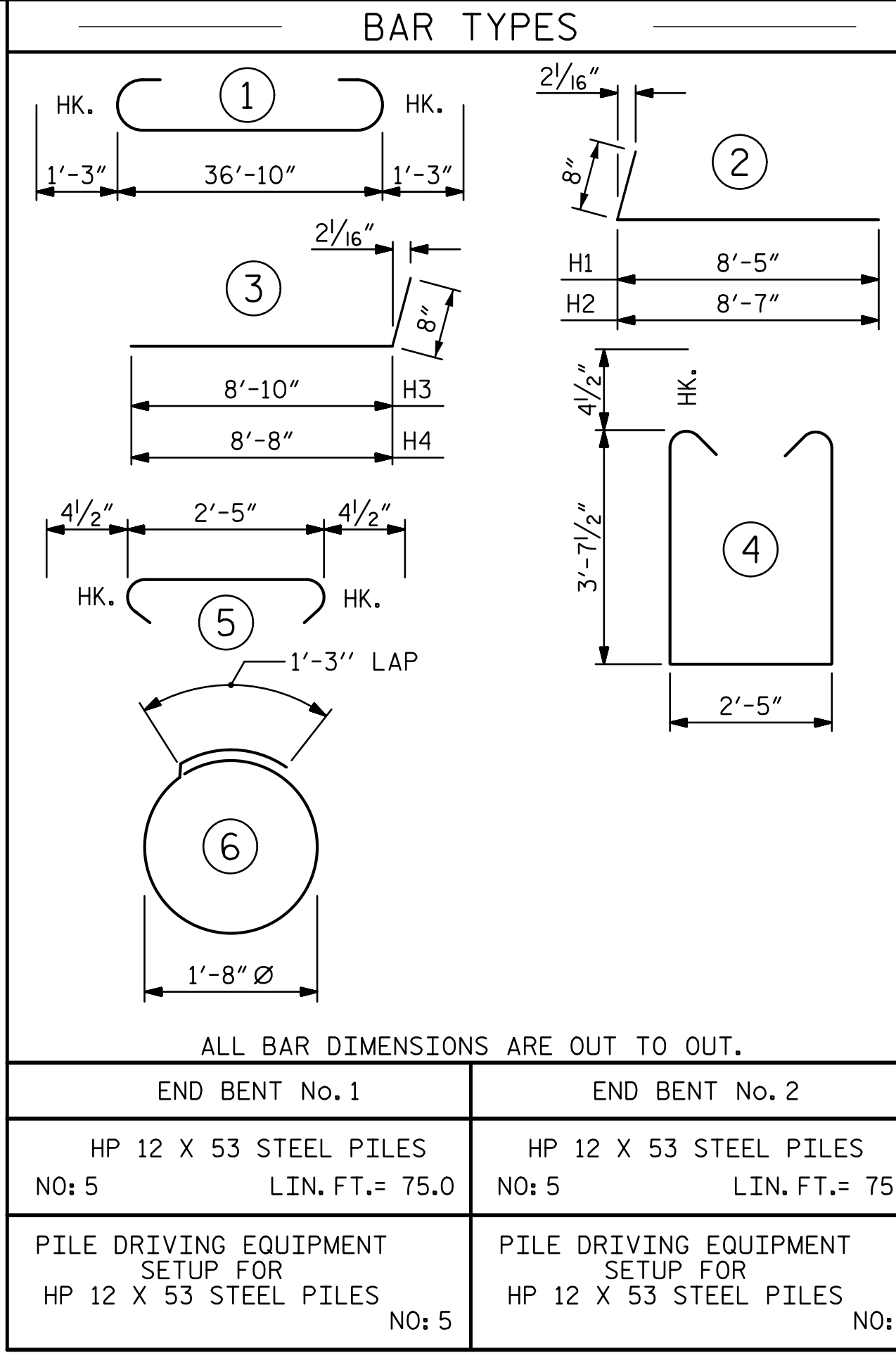
BAGGED STONE SHALL REMAIN IN PLACE UNTIL THE ENGINEER DIRECTS THAT IT BE REMOVED. THE CONTRACTOR SHALL REMOVE AND DISPOSE OF SILT ACCUMULATIONS AT BAGGED STONE WHEN SO DIRECTED BY THE ENGINEER. BAGS SHALL BE REMOVED AND REPLACED WHENEVER THE ENGINEER DETERMINES THAT THEY HAVE DETERIORATED AND LOST THEIR EFFECTIVENESS.

NO SEPARATE PAYMENT WILL BE MADE FOR THIS WORK AND THE ENTIRE COST OF THIS WORK SHALL BE INCLUDED IN THE UNIT CONTRACT PRICE BID FOR THE SEVERAL PAY ITEMS.

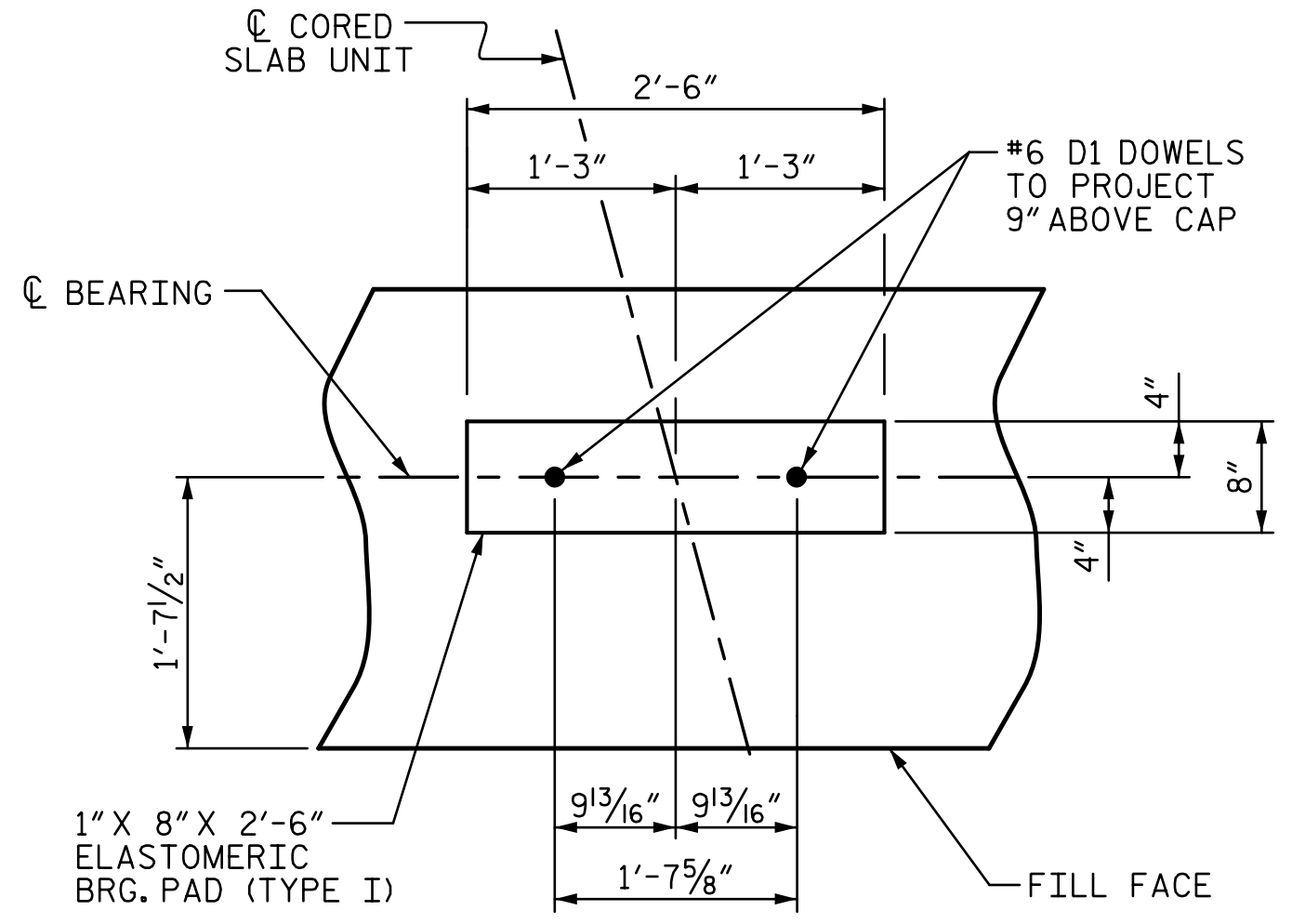
TEMPORARY DRAINAGE AT END BENT



PILE SPLICE DETAILS

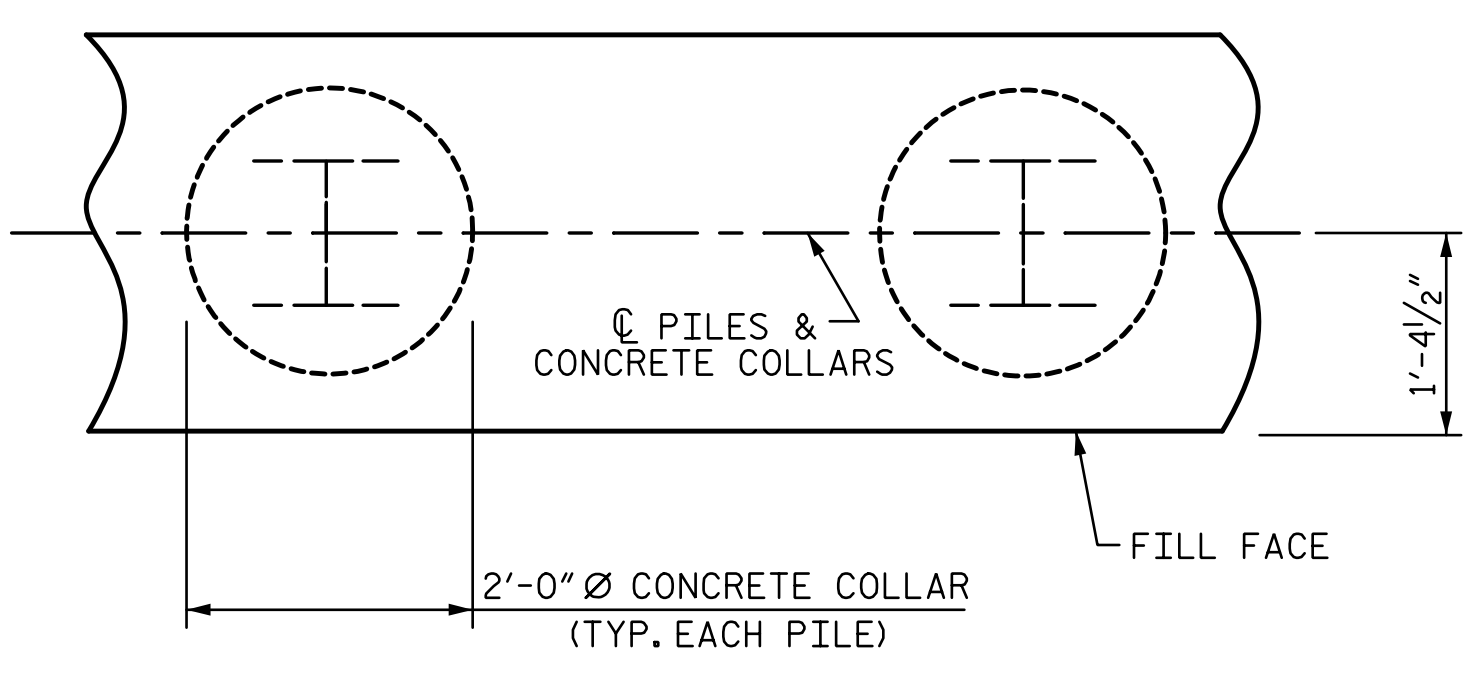


BILL OF MATERIAL FOR ONE END BENT					
BAR	NO.	SIZE	TYPE	LENGTH	WEIGHT
B1	8	#9	1	39'-4"	1070
B2	28	#4	STR	19'-9"	369
B3	10	#4	STR	2'-5"	16
D1	20	#6	STR	1'-6"	45
H1	10	#4	2	9'-1"	61
H2	10	#4	2	9'-3"	62
H3	10	#4	3	9'-6"	63
H4	10	#4	3	9'-4"	62
K1	16	#4	STR	3'-1"	33
S1	48	#4	4	10'-5"	334
S2	48	#4	5	3'-2"	102
S3	20	#4	6	6'-6"	87
V1	53	#4	STR	6'-2"	218
REINFORCING STEEL (FOR ONE END BENT)					2522 LBS.
CLASS A CONCRETE BREAKDOWN (FOR ONE END BENT)					
POUR #1 CAP, LOWER PART OF WINGS & COLLARS					18.4 C.Y.
POUR #2 UPPER PART OF WINGS					2.1 C.Y.
TOTAL CLASS A CONCRETE					20.5 C.Y.

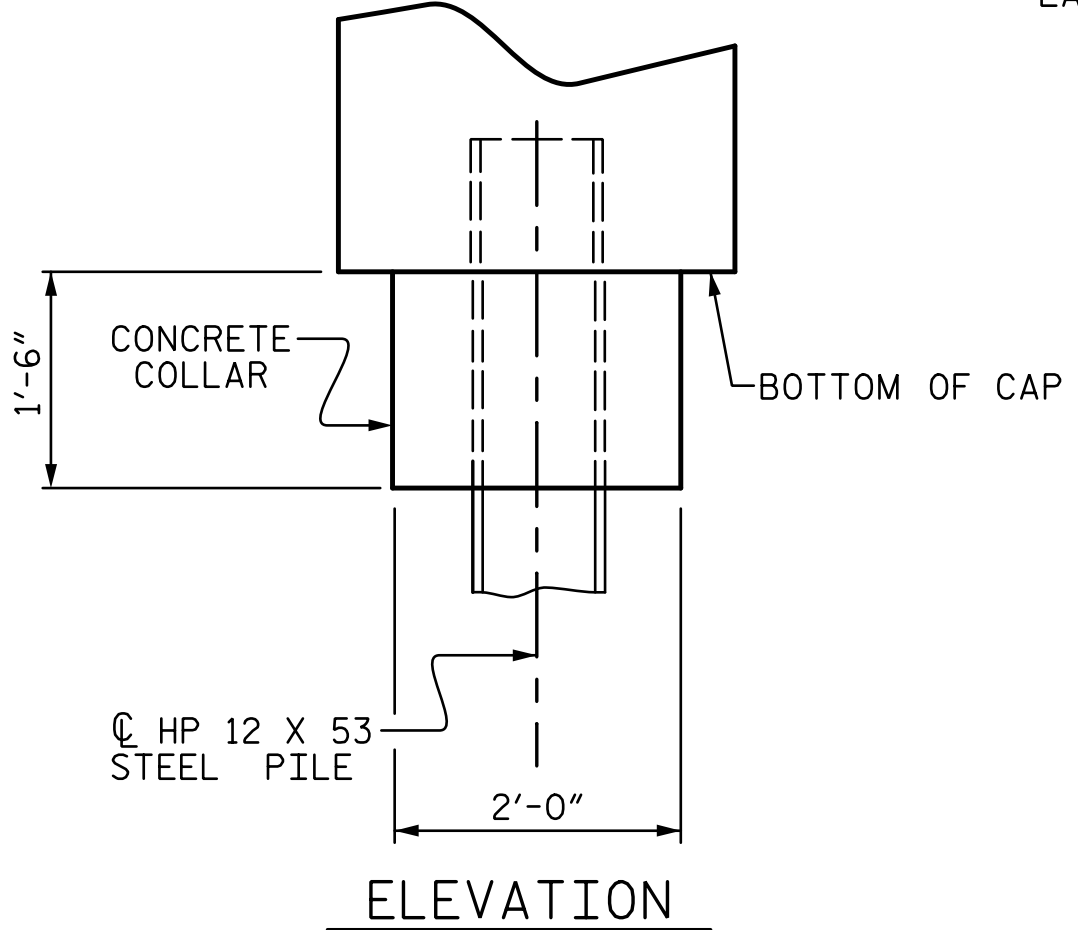


DETAIL "A"

(END BENT No. 1 SHOWN, END BENT No. 2 SIMILAR BY ROTATION)



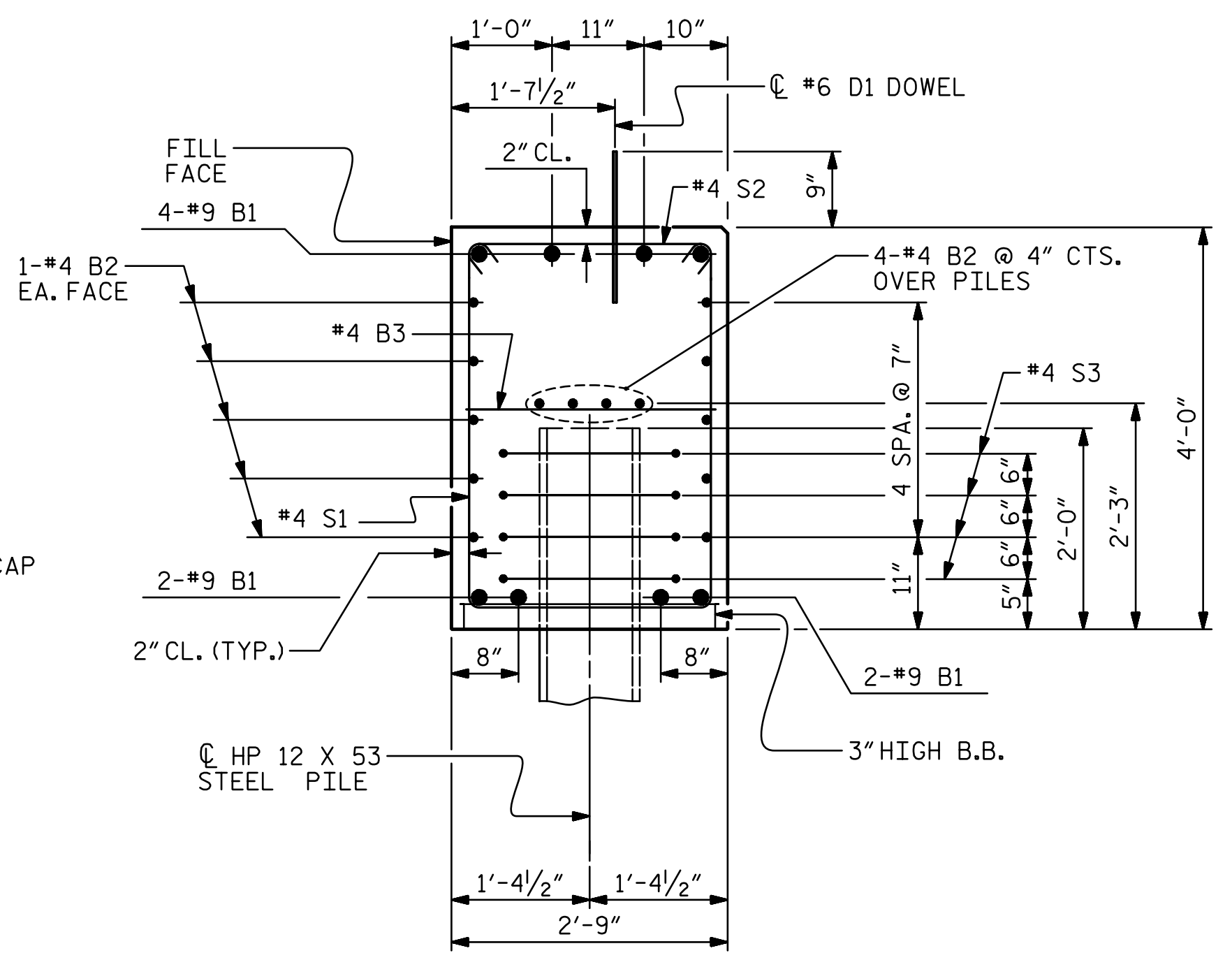
PLAN



ELEVATION

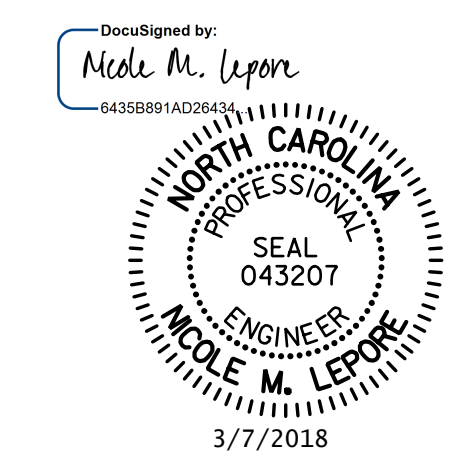
CORROSION PROTECTION FOR STEEL PILES DETAIL

(END BENT No. 1 SHOWN, END BENT No. 2 SIMILAR BY ROTATION)



SECTION A-A

(CONCRETE COLLAR NOT SHOWN FOR CLARITY. SEE "CORROSION PROTECTION FOR STEEL PILES DETAIL.")



PROJECT NO. **B-5377**

UNION COUNTY

STATION: **16+81.00 -L-**

SHEET 4 OF 4

STATE OF NORTH CAROLINA
DEPARTMENT OF TRANSPORTATION
RALEIGH

SUBSTRUCTURE
END BENT No. 1 & 2
DETAILS

REVISIONS					SHEET NO.
NO.	BY:	DATE:	NO.	BY:	DATE:
1			3		
2			4		

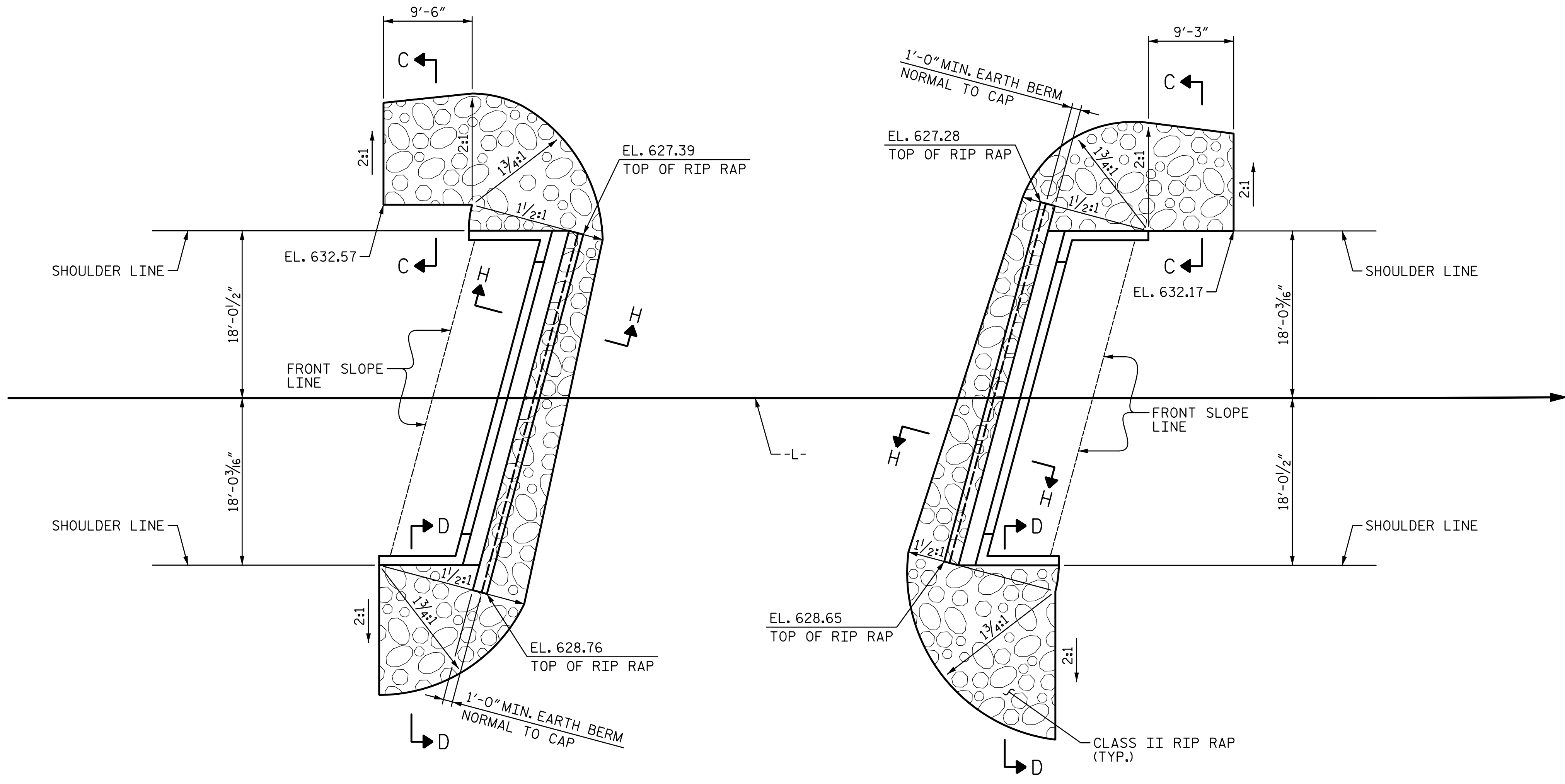
TOTAL SHEETS 13

STV 100 YEARS
STV ENGINEERS, INC.
900 West Trade St., Suite 715
Charlotte, NC 28202
NC License Number F-0991

DOCUMENT NOT CONSIDERED FINAL UNLESS ALL SIGNATURES COMPLETED

R:\Structures\Station\Finals\401_021_B-5377_SML_EB04_01_890157.dgn 12:23:42 PM 3/7/2018

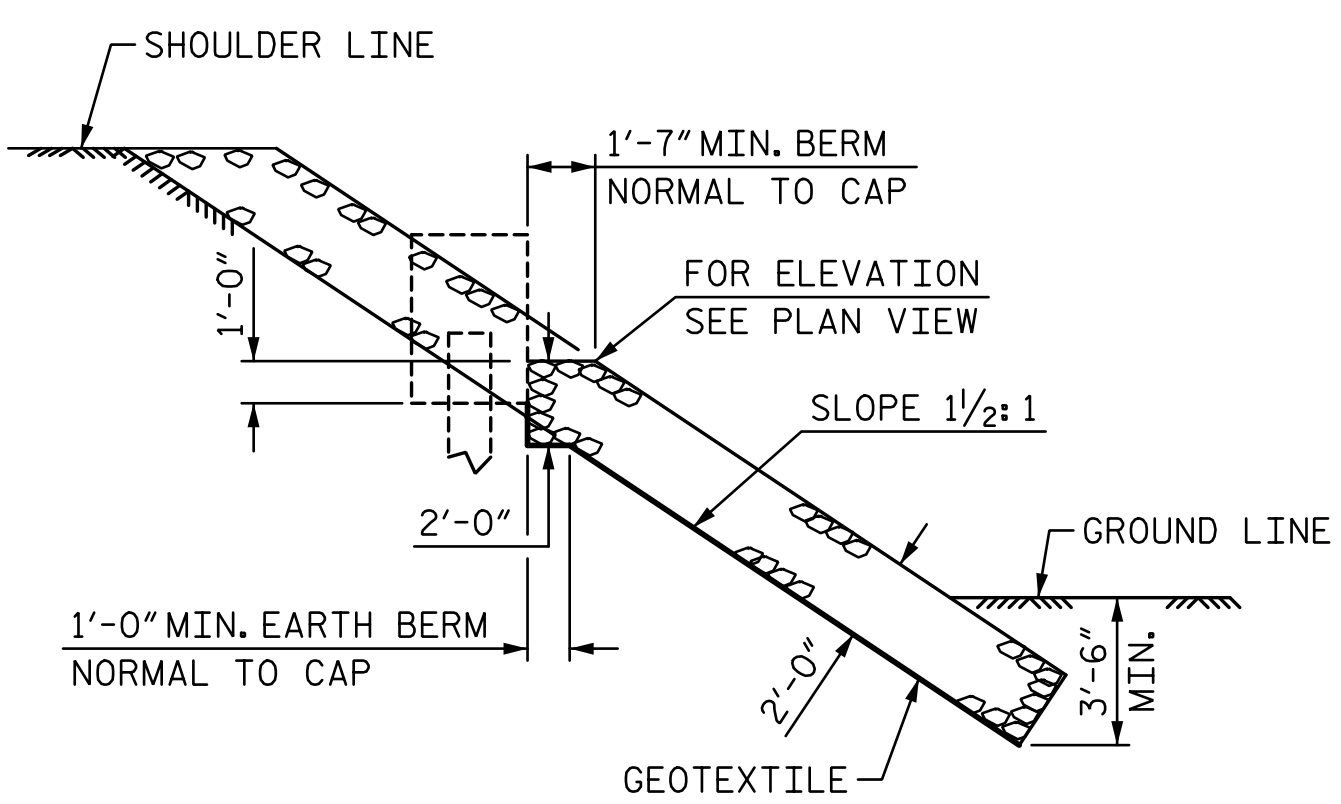
ASSEMBLED BY : LEM	DATE : 1-18
CHECKED BY : MLO	DATE : 1-18
DESIGN ENGINEER OF RECORD : NML	DATE : 2-18
DRAWN BY : WJH 12/11	REV. 4/17
CHECKED BY : AAC 12/11	MAA/THC



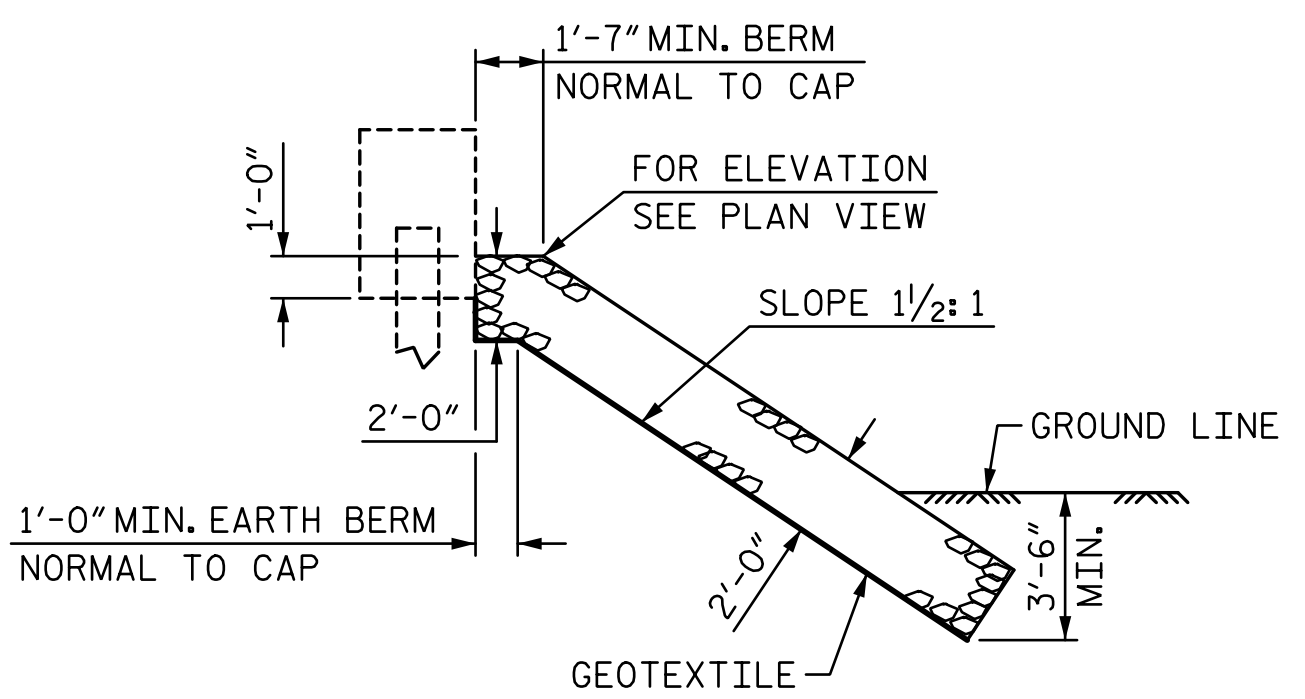
PLAN - END BENT 1

PLAN - END BENT 2

ESTIMATED QUANTITIES		
BRIDGE @ STA. 16+81.00 -L-	RIP RAP CLASS II (2'-0" THICK)	GEOTEXTILE FOR DRAINAGE
	TONS	SQUARE YARDS
END BENT 1	105	120
END BENT 2	110	125

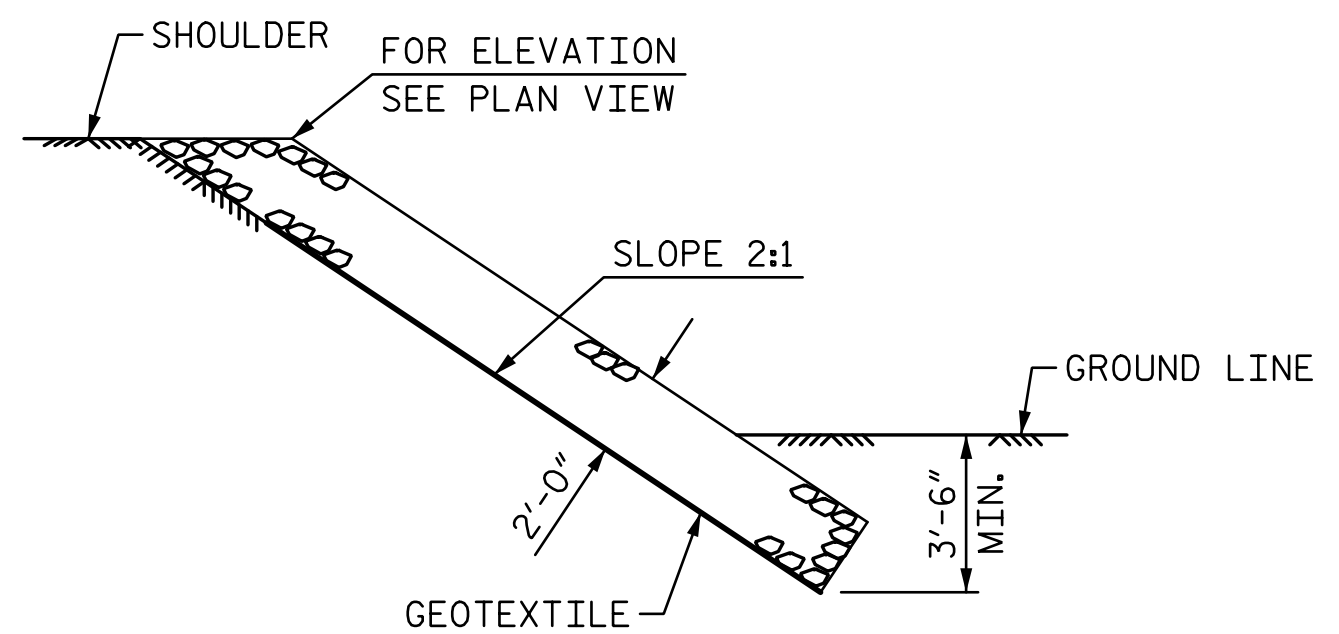


SECTION H-H

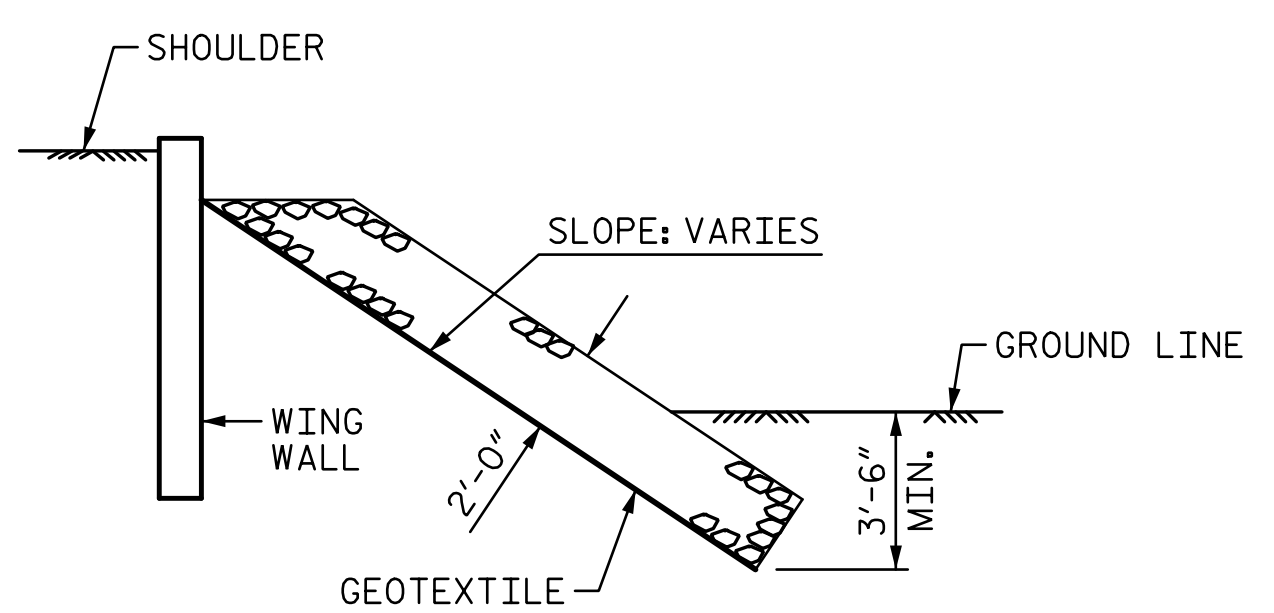


SECTION C-C

BERM RIP RAPPED
END BENT 1 SHOWN, END BENT 2 SIMILAR

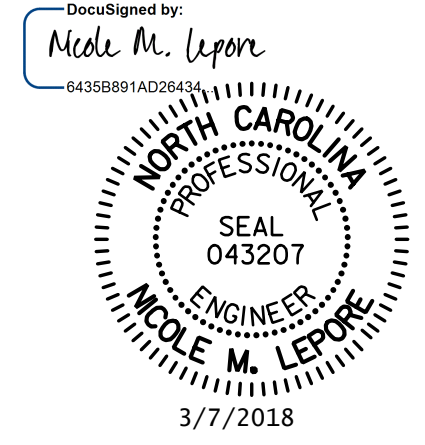


SECTION C-C



SECTION D-D

PROJECT NO. B-5377
UNION COUNTY
 STATION: 16+81.00 -L-



STV 100 YEARS
 STV ENGINEERS, INC.
 900 West Trade St., Suite 715
 Charlotte, NC 28202
 NC License Number F-0991

DOCUMENT NOT CONSIDERED
 FINAL UNLESS ALL
 SIGNATURES COMPLETED

STATE OF NORTH CAROLINA
 DEPARTMENT OF TRANSPORTATION
 RALEIGH
RIP RAP DETAILS

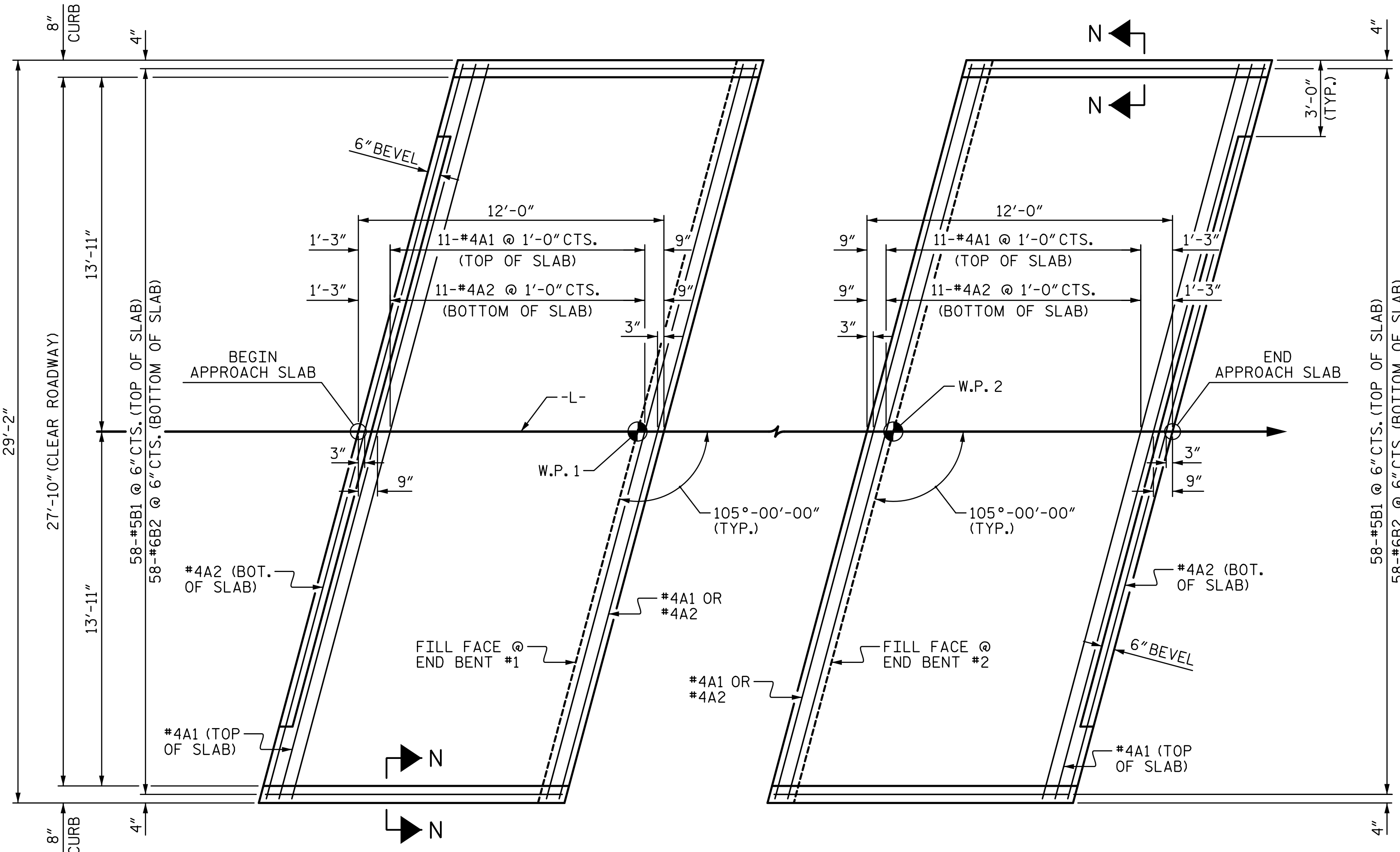
REVISIONS				SHEET NO.
NO.	BY:	DATE:	NO.	DATE:
1			3	
2			4	

S-12
 TOTAL SHEETS
 13

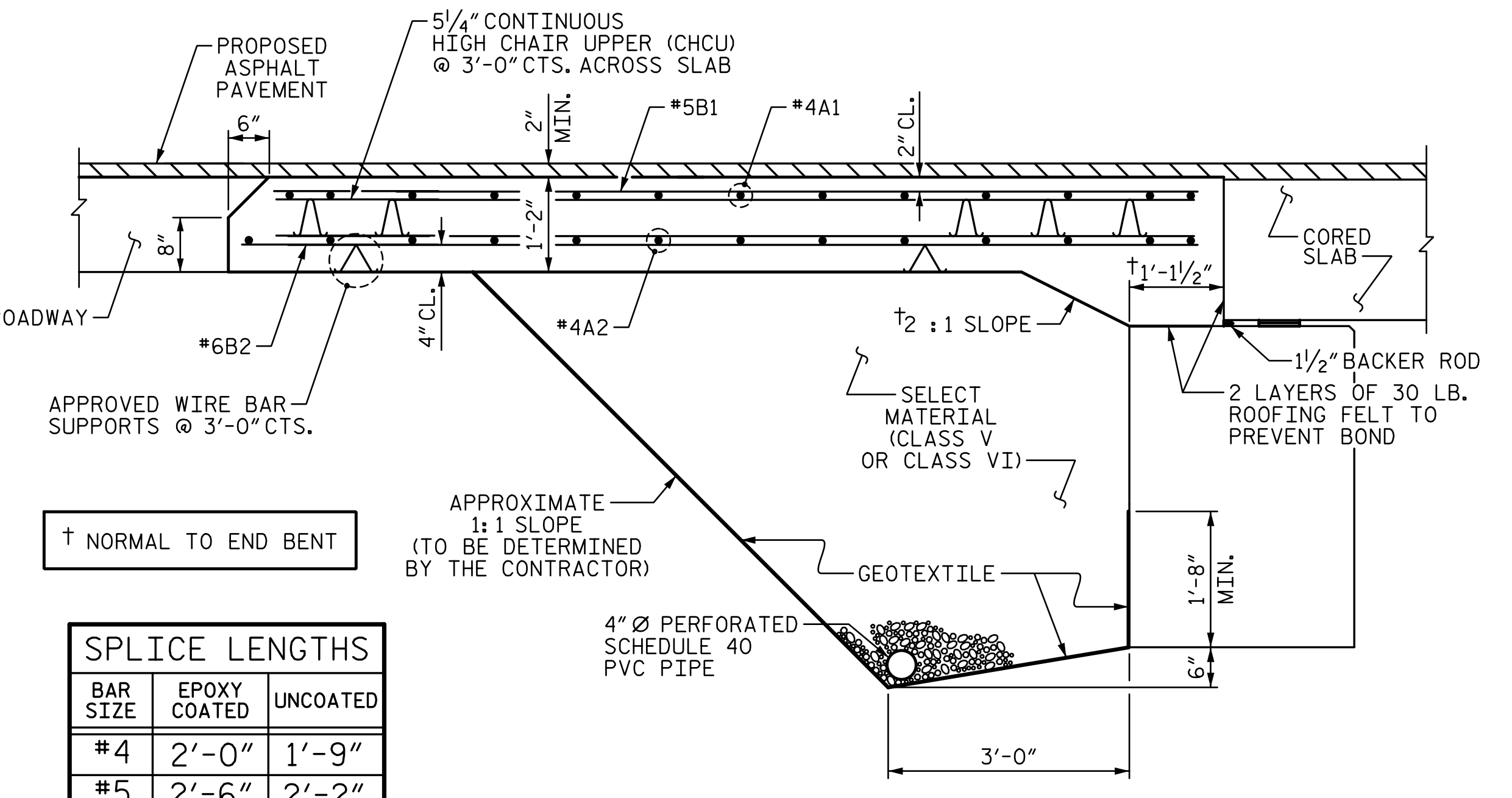
R:\Structures\Station\Finals\401_023_B-5377_SMU_RR_02_850157.dgn
 12:23:44 PM
 3/7/2018
 meivline

DRAWN BY : LEM DATE : 1-18
 CHECKED BY : MLO DATE : 1-18
 DESIGN ENGINEER OF RECORD : NML DATE : 2-18

R:\Structures\Station\Final\401_025_B-5377_SMU_BAS_013_890157.dgn 12:23:45 PM 3/7/2018



PLAN @ END BENT #1 **PLAN @ END BENT #2**
 DIMENSIONS SHOWN ARE TYPICAL FOR BOTH APPROACH SLABS



SECTION THRU SLAB
 (TYPE II - MODIFIED APPROACH FILL)

SPLICE LENGTHS		
BAR SIZE	EPOXY COATED	UNCOATED
#4	2'-0"	1'-9"
#5	2'-6"	2'-2"
#6	3'-10"	2'-7"

ASSEMBLED BY : LEM	DATE : 1-18
CHECKED BY : MLO	DATE : 1-18
DESIGN ENGINEER OF RECORD : NML	DATE : 2-18
DRAWN BY : SHS/MAA 5-09	REV. 12-17
CHECKED BY : BCH 5-09	MAA/THC

NOTES

FOR BRIDGE APPROACH FILL INCLUDING GEOTEXTILE, 4" Ø DRAINAGE PIPE, AND SELECT MATERIAL BACKFILL, SEE ROADWAY PLANS.

GEOTEXTILE SHALL BE TYPE 1 IN ACCORDANCE WITH THE STANDARD SPECIFICATIONS SECTION 1056.

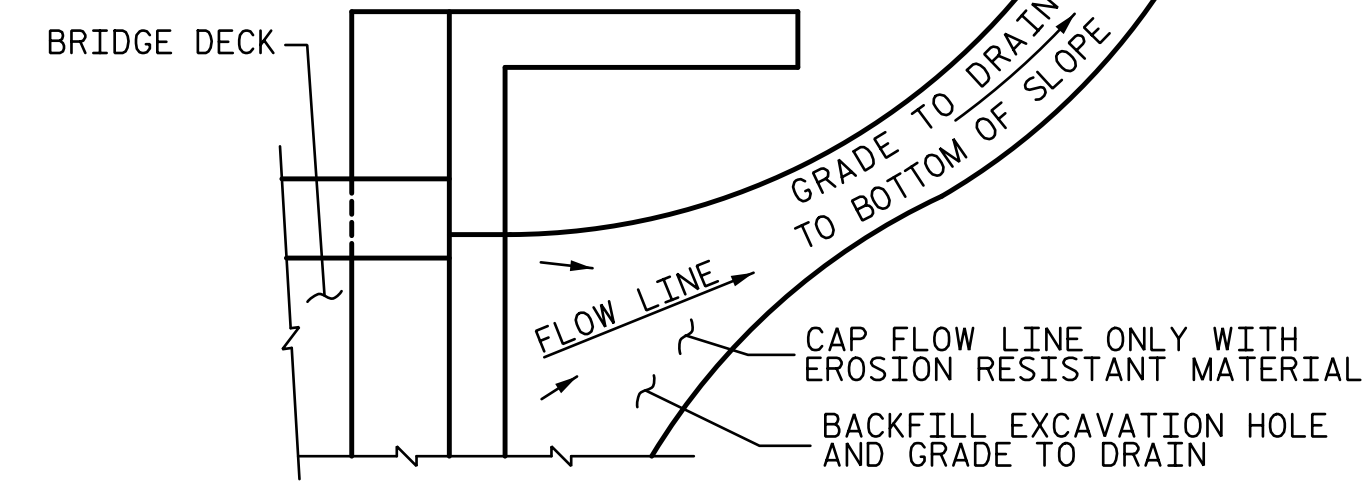
SELECT MATERIAL BACKFILL (CLASS V OR CLASS VI) SHALL BE IN ACCORDANCE WITH STANDARD SPECIFICATIONS SECTION 1016.

SELECT MATERIAL BACKFILL IS TO BE CONTINUOUS ALONG FILL FACE OF BACKWALL FROM OUTSIDE EDGE TO OUTSIDE EDGE OF APPROACH SLAB.

FOR THE 4" Ø DRAINAGE PIPE OUTLET(S), SEE ROADWAY STANDARD DRAWINGS.

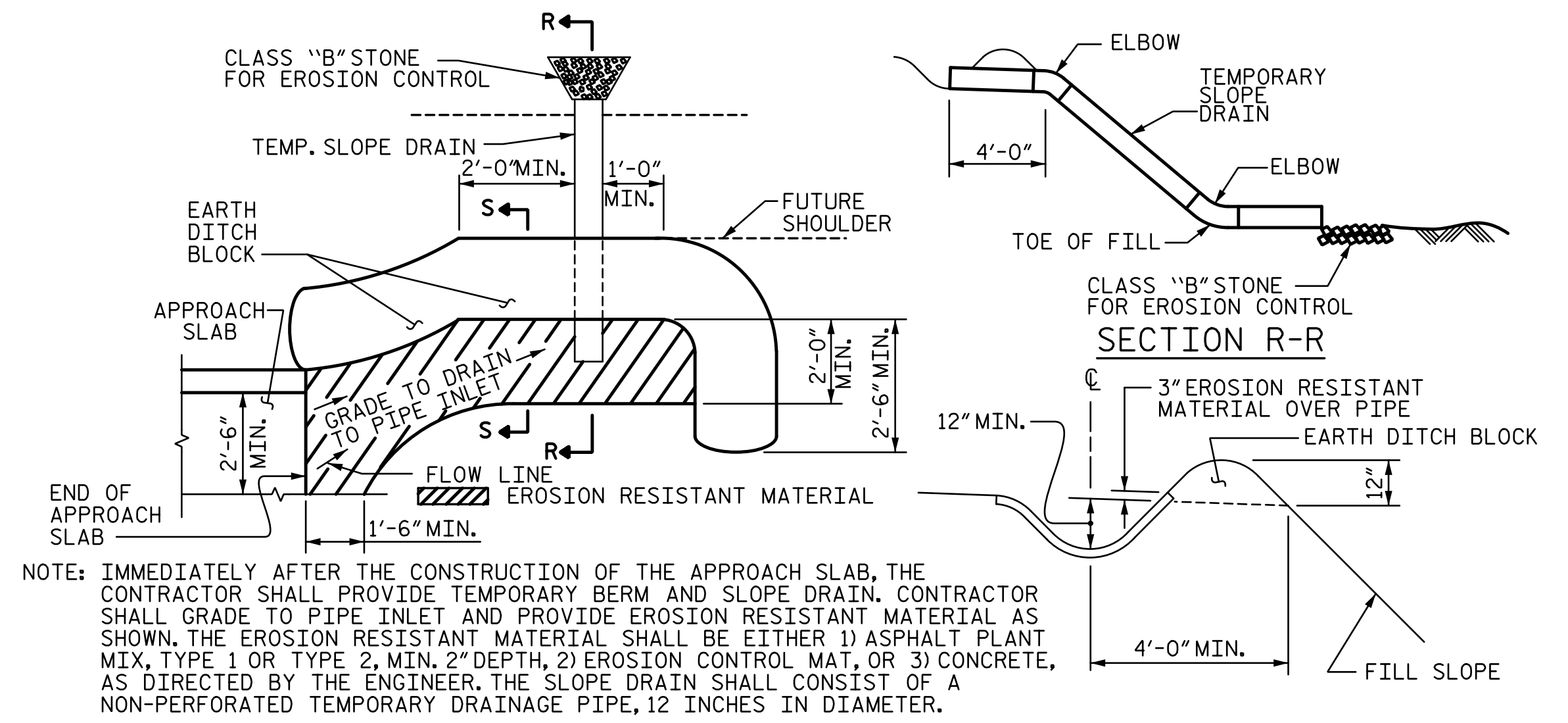
AREA BETWEEN THE WINGWALL AND APPROACH SLAB SHALL BE GRADED TO DRAIN THE WATER AWAY FROM THE FILL FACE OF THE BRIDGE AND SHALL BE PAVED. SEE ROADWAY PLANS.

APPROACH SLAB GROOVING IS NOT REQUIRED.

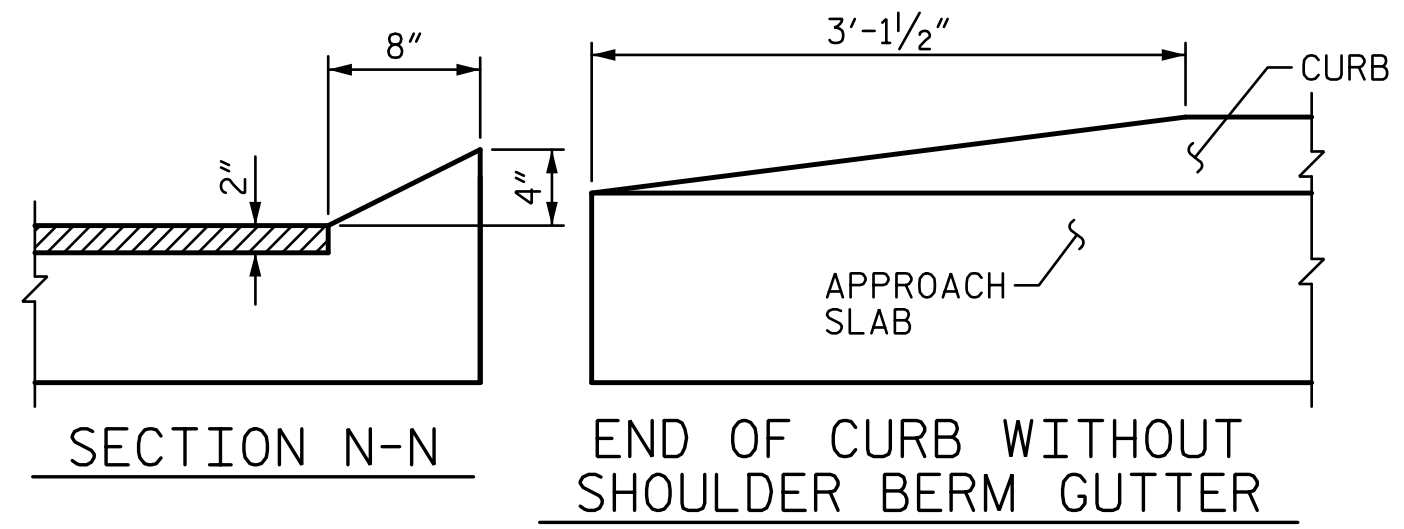


NOTE: IF THE APPROACH SLAB IS NOT CONSTRUCTED IMMEDIATELY AFTER THE BACKFILLING OF THE END BENT EXCAVATION, GRADE TO DRAIN TO THE BOTTOM OF THE SLOPE AND PROVIDE EROSION RESISTANT MATERIAL, SUCH AS FIBERGLASS ROVING OR AS DIRECTED BY THE ENGINEER TO PREVENT SOIL EROSION AND TO PROTECT THE AREA ADJACENT TO THE STRUCTURE. THE CONTRACTOR WILL BE REQUIRED TO REMOVE THESE MATERIALS PRIOR TO CONSTRUCTION OF THE APPROACH SLAB.

TEMPORARY DRAINAGE DETAIL



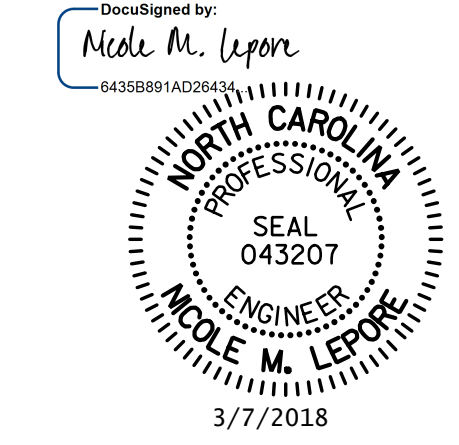
TEMPORARY BERM AND SLOPE DRAIN DETAILS
 (TO BE USED WHEN SHOULDER BERM GUTTER IS REQUIRED)



CURB DETAILS

BILL OF MATERIAL					
APPROACH SLAB AT EB #1					
BAR	NO.	SIZE	TYPE	LENGTH	WEIGHT
*A1	13	#4	STR	29'-10"	259
A2	13	#4	STR	29'-10"	259
*B1	58	#5	STR	11'-1"	670
B2	58	#6	STR	11'-7"	1009
REINFORCING STEEL				LBS.	1268
*EPOXY COATED REINFORCING STEEL				LBS.	929
CLASS AA CONCRETE				C. Y.	16.7
APPROACH SLAB AT EB #2					
BAR	NO.	SIZE	TYPE	LENGTH	WEIGHT
*A1	13	#4	STR	29'-10"	259
A2	13	#4	STR	29'-10"	259
*B1	58	#5	STR	11'-1"	670
B2	58	#6	STR	11'-7"	1009
REINFORCING STEEL				LBS.	1268
*EPOXY COATED REINFORCING STEEL				LBS.	929
CLASS AA CONCRETE				C. Y.	16.7

PROJECT NO. **B-5377**
 UNION COUNTY
 STATION: **16+81.00 -L-**



STV 100 YEARS
 STV ENGINEERS, INC.
 900 West Trade St., Suite 715
 Charlotte, NC 28202
 NC License Number F-0991

DOCUMENT NOT CONSIDERED FINAL UNLESS ALL SIGNATURES COMPLETED

STATE OF NORTH CAROLINA
 DEPARTMENT OF TRANSPORTATION
 RALEIGH
 STANDARD
 BRIDGE APPROACH SLAB FOR PRESTRESSED CONCRETE CORED SLAB UNIT (SUB-REGIONAL TIER)
 105° SKEW

REVISIONS					SHEET NO.
NO.	BY:	DATE:	NO.	BY:	DATE:
1			3		
2			4		

TOTAL SHEETS 13

STANDARD NOTES

DESIGN DATA:

SPECIFICATIONS - - - - -	A.A.S.H.T.O. (CURRENT)
LIVE LOAD - - - - -	SEE PLANS
IMPACT ALLOWANCE - - - - -	SEE A.A.S.H.T.O.
STRESS IN EXTREME FIBER OF STRUCTURAL STEEL - AASHTO M270 GRADE 36 - -	20,000 LBS. PER SQ. IN.
- AASHTO M270 GRADE 50W - -	27,000 LBS. PER SQ. IN.
- AASHTO M270 GRADE 50 - -	27,000 LBS. PER SQ. IN.
REINFORCING STEEL IN TENSION - GRADE 60 - - -	24,000 LBS. PER SQ. IN.
CONCRETE IN COMPRESSION - - - - -	1,200 LBS. PER SQ. IN.
CONCRETE IN SHEAR - - - - -	SEE A.A.S.H.T.O.
STRUCTURAL TIMBER - TREATED OR UNTREATED EXTREME FIBER STRESS - - - -	1,800 LBS. PER SQ. IN.
COMPRESSION PERPENDICULAR TO GRAIN OF TIMBER - - - - -	375 LBS. PER SQ. IN.
EQUIVALENT FLUID PRESSURE OF EARTH - - - - -	30 LBS. PER CU. FT. (MINIMUM)

MATERIAL AND WORKMANSHIP:

EXCEPT AS MAY OTHERWISE BE SPECIFIED ON PLANS OR IN THE SPECIAL PROVISIONS, ALL MATERIAL AND WORKMANSHIP SHALL BE IN ACCORDANCE WITH THE 2018 "STANDARD SPECIFICATIONS FOR ROADS AND STRUCTURES" OF THE N.C. DEPARTMENT OF TRANSPORTATION.

STEEL SHEET PILING FOR PERMANENT OR TEMPORARY APPLICATIONS SHALL BE HOT ROLLED.

CONCRETE:

UNLESS OTHERWISE REQUIRED ON PLANS, CLASS A CONCRETE SHALL BE USED FOR ALL PORTIONS OF ALL STRUCTURES WITH THE EXCEPTION THAT: CLASS AA CONCRETE SHALL BE USED IN BRIDGE SUPERSTRUCTURES, ABUTMENT BACKWALLS, AND APPROACH SLABS; AND CLASS B CONCRETE SHALL BE USED FOR SLOPE PROTECTION AND RIP RAP.

CONCRETE CHAMFERS:

UNLESS OTHERWISE NOTED ON THE PLANS, ALL EXPOSED CORNERS ON STRUCTURES SHALL BE CHAMFERED $\frac{3}{4}$ " WITH THE FOLLOWING EXCEPTIONS: TOP CORNERS OF CURBS MAY BE ROUNDED TO $\frac{1}{2}$ " RADIUS WHICH IS BUILT INTO CURB FORMS; CORNERS OF TRANSVERSE FLOOR EXPANSION JOINTS SHALL BE ROUNDED WITH A $\frac{1}{4}$ " FINISHING TOOL UNLESS OTHERWISE REQUIRED ON PLANS; AND CORNERS OF EXPANSION JOINTS IN THE ROADWAY FACES AND TOPS OF CURBS AND SIDEWALKS SHALL BE ROUNDED TO A $\frac{1}{4}$ " RADIUS WITH A FINISHING STONE OR TOOL UNLESS OTHERWISE REQUIRED ON PLANS.

DOWELS:

DOWELS WHEN INDICATED ON PLANS AS FOR CULVERT EXTENSIONS, SHALL BE EMBEDDED AT LEAST 12" INTO THE OLD CONCRETE AND GROUTED INTO PLACE WITH 1:2 CEMENT MORTAR.

ALLOWANCE FOR DEAD LOAD DEFLECTION, SETTLEMENT, ETC. IN CASTING SUPERSTRUCTURES:

BRIDGES SHALL BE BUILT ON THE GRADE OR VERTICAL CURVE SHOWN ON PLANS. SLABS, CURBS AND PARAPETS SHALL CONFORM TO THE GRADE OR CURVE.

ALL DIMENSIONS WHICH ARE GIVEN IN SECTION AND ARE AFFECTED BY DEAD LOAD DEFLECTIONS ARE DIMENSIONS AT CENTER LINE OF BEARING UNLESS OTHERWISE NOTED ON PLANS. IN SETTING FORMS FOR STEEL BEAM BRIDGES AND PRESTRESSED CONCRETE GIRDER BRIDGES, ADJUSTMENTS SHALL BE MADE DUE TO THE DEAD LOAD DEFLECTIONS FOR THE ELEVATIONS SHOWN. WHERE BLOCKS ARE SHOWN OVER BEAMS FOR BUILDING UP TO THE SLAB, THE VERTICAL DIMENSIONS OF THE BLOCKS SHALL BE ADJUSTED BETWEEN BEARINGS TO COMPENSATE FOR DEAD LOAD DEFLECTIONS, VERTICAL CURVE ORDINATE, AND ACTUAL BEAM CAMBER. WHERE BOTTOM OF SLAB IS IN LINE WITH BOTTOM OF TOP FLANGES, DEPTH OF SLAB BETWEEN BEARINGS SHALL BE ADJUSTED TO COMPENSATE FOR DEAD LOAD DEFLECTION, VERTICAL CURVE ORDINATE, AND ACTUAL BEAM CAMBER.

IN SETTING FALSEWORK AND FORMS FOR REINFORCED CONCRETE SPANS, AN ALLOWANCE SHALL BE MADE FOR DEAD LOAD DEFLECTIONS, SETTLEMENT OF FALSEWORK, AND PERMANENT CAMBER WHICH SHALL BE PROVIDED FOR IN ADDITION TO THE ELEVATIONS SHOWN. AFTER REMOVAL OF THE FALSEWORK, THE FINISHED STRUCTURES SHALL CONFORM TO THE PROFILE AND ELEVATIONS SHOWN ON THE PLANS AND CONSTRUCTION ELEVATIONS FURNISHED BY THE ENGINEER.

DETAILED DRAWINGS FOR FALSEWORK OR FORMS FOR BRIDGE SUPERSTRUCTURE AND ANY STRUCTURE OR PARTS OF A STRUCTURE AS NOTED ON THE PLANS SHALL BE SUBMITTED TO THE ENGINEER FOR APPROVAL BEFORE CONSTRUCTION OF THE FALSEWORK OR FORMS IS STARTED.

REINFORCING STEEL:

ALL REINFORCING STEEL SHALL BE DEFORMED. DIMENSIONS RELATIVE TO PLACEMENT OF REINFORCING ARE TO CENTERS OF BARS UNLESS OTHERWISE INDICATED IN THE PLANS. DIMENSIONS ON BAR DETAILS ARE TO CENTERS OF BARS OR ARE OUT TO OUT AS INDICATED ON PLANS.

WIRE BAR SUPPORTS SHALL BE PROVIDED FOR REINFORCING STEEL WHERE INDICATED ON THE PLANS. WHEN BAR SUPPORT PIECES ARE PLACED IN CONTINUOUS LINES, THEY SHALL BE SO PLACED THAT THE ENDS OF THE SUPPORTING WIRES SHALL BE LAPPED TO LOCK LEGS ON ADJOINING PIECES.

STRUCTURAL STEEL:

AT THE CONTRACTOR'S OPTION, HE MAY SUBSTITUTE $\frac{7}{8}$ " \emptyset SHEAR STUDS FOR THE $\frac{3}{4}$ " \emptyset STUDS SPECIFIED ON THE PLANS. THIS SUBSTITUTION SHALL BE MADE AT THE RATE OF 3 - $\frac{7}{8}$ " \emptyset STUDS FOR 4 - $\frac{3}{4}$ " \emptyset STUDS, AND STUD SPACING CHANGES SHALL BE MADE AS NECESSARY TO PROVIDE THE SAME EQUIVALENT NUMBER OF $\frac{7}{8}$ " \emptyset STUDS ALONG THE BEAM AS SHOWN FOR $\frac{3}{4}$ " \emptyset STUDS BASED ON THE RATIO OF 3 - $\frac{7}{8}$ " \emptyset STUDS FOR 4 - $\frac{3}{4}$ " \emptyset STUDS. STUDS OF THE LENGTH SPECIFIED ON THE PLANS MUST BE PROVIDED. THE MAXIMUM SPACING SHALL BE 2'-0".

EXCEPT AT THE INTERIOR SUPPORTS OF CONTINUOUS BEAMS WHERE THE COVER PLATE IS IN CONTACT WITH BEARING PLATE, THE CONTRACTOR MAY, AT HIS OPTION, SUBSTITUTE FOR THE COVER PLATES DESIGNATED ON THE PLANS COVER PLATES OF THE EQUIVALENT AREA PROVIDED THESE PLATES ARE AT LEAST $\frac{5}{16}$ " IN THICKNESS AND DO NOT EXCEED A WIDTH EQUAL TO THE FLANGE WIDTH LESS 2" OR A THICKNESS EQUAL TO 2 TIMES THE FLANGE THICKNESS. THE SIZE OF FILLET WELDS SHALL CONFORM TO THE REQUIREMENTS OF THE CURRENT ANSI/AASHTO/AWS "BRIDGE WELDING CODE". ELECTROSLAG WELDING WILL NOT BE PERMITTED.

WITH THE SOLE EXCEPTION OF EDGES AT SURFACES WHICH BEAR ON OTHER SURFACES, ALL SHARP EDGES AND ENDS OF SHAPES AND PLATES SHALL BE SLIGHTLY ROUNDED BY SUITABLE MEANS TO A RADIUS OF APPROXIMATELY $\frac{1}{16}$ " INCH OR EQUIVALENT FLAT SURFACE AT A SUITABLE ANGLE PRIOR TO PAINTING, GALVANIZING, OR METALLIZING.

HANDRAILS AND POSTS:

METAL STANDARDS AND FACES OF THE CONCRETE END POSTS FOR THE METAL RAIL SHALL BE SET NORMAL TO THE GRADE OF THE CURB, UNLESS OTHERWISE SHOWN ON PLANS. THE METAL RAIL AND TOPS OF CONCRETE POSTS USED WITH THE ALUMINUM RAIL SHALL BE BUILT PARALLEL TO THE GRADE OF THE CURB.

METAL HANDRAILS SHALL BE IN ACCORDANCE WITH THE PLANS. RAILS SHALL BE AS MANUFACTURED FOR BRIDGE RAILING. CASTINGS SHALL BE OF A UNIFORM APPEARANCE. FINS AND OTHER DEFORMATIONS RESULTING FROM CASTING OR OTHERWISE SHALL BE REMOVED IN A MANNER SO THAT A UNIFORM COLORING OF THE COMPLETED CASTING SHALL BE OBTAINED. CASTINGS WITH DISCOLORATIONS OR OF NON-UNIFORM COLORING WILL NOT BE ACCEPTED. CERTIFIED MILL REPORTS ARE REQUIRED FOR METAL RAILS AND POSTS.

SPECIAL NOTES:

GENERALLY, IN CASE OF DISCREPANCY, THIS STANDARD SHEET OF NOTES SHALL GOVERN OVER THE SPECIFICATIONS, BUT THE REMAINDER OF THE PLANS SHALL GOVERN OVER NOTES HEREON, AND SPECIAL PROVISIONS SHALL GOVERN OVER ALL. SEE SPECIFICATIONS ARTICLE 105-4.

ENGLISH

JANUARY, 1990