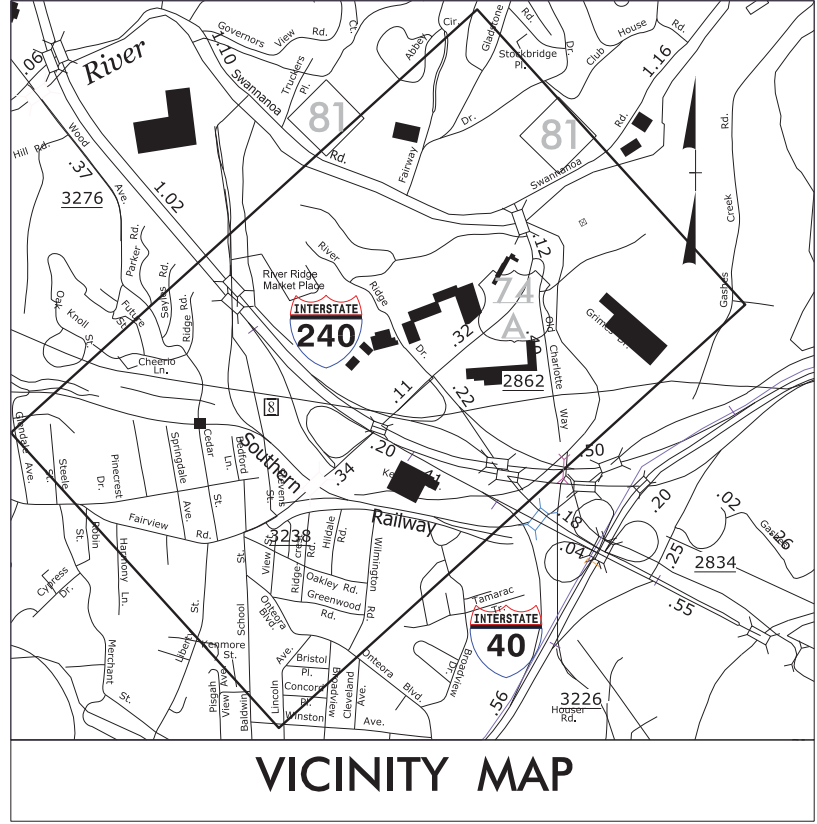


09/26/99

TIP PROJECT: SS-4913CN

CONTRACT: DM00236

\$\$\$\$\$SYTIME\$\$\$\$\$
\$\$\$\$\$DCN\$\$\$\$\$
\$\$\$\$\$SERNAME\$\$\$\$\$



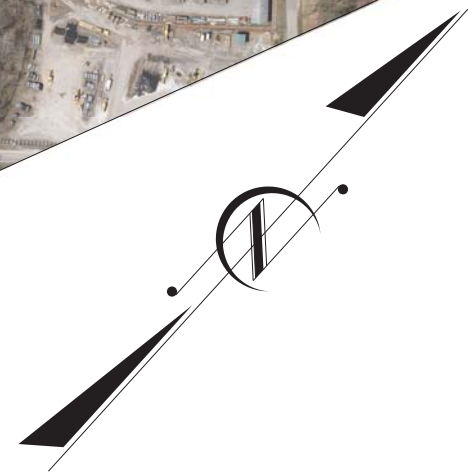
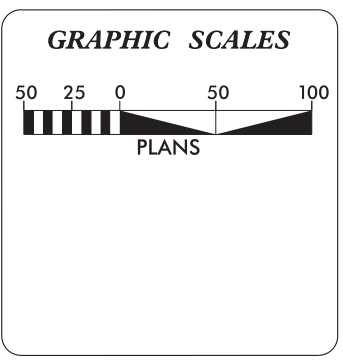
STATE OF NORTH CAROLINA
DIVISION OF HIGHWAYS

BUNCOMBE COUNTY

LOCATION: US 74A/SR 3238 FORM BLEACHERY BLVD
TO NC 81 (SWANNANOA RIVER RD)

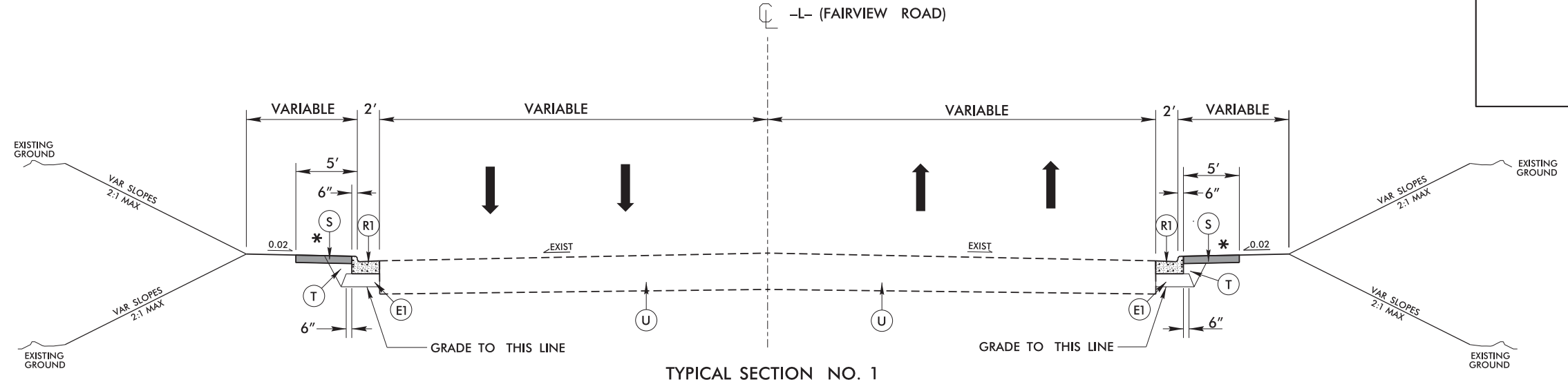
TYPE OF WORK: INSTALLATION OF SIDEWALK AND PEDESTRIAN
CROSSINGS

STATE	STATE PROJECT REFERENCE NO.	SHEET NO.	TOTAL SHEETS
N.C.		1	
STATE PROJ. NO.	F.A. PROJ. NO.	DESCRIPTION	
47340.1.1		PE	
47340.3.1		CONST.	



PROJECT REFERENCE NO.	SHEET NO.
DM00236	2A-1
RW SHEET NO.	
ROADWAY DESIGN ENGINEER	PAVEMENT ENGINEER

E1	ABC or B25.0B AS DIRECTED BY THE ENGINEER
R1	2'-6" C & G
S	4" SIDEWALK
T	EARTH MATERIAL
U	EXISTING PVMNT



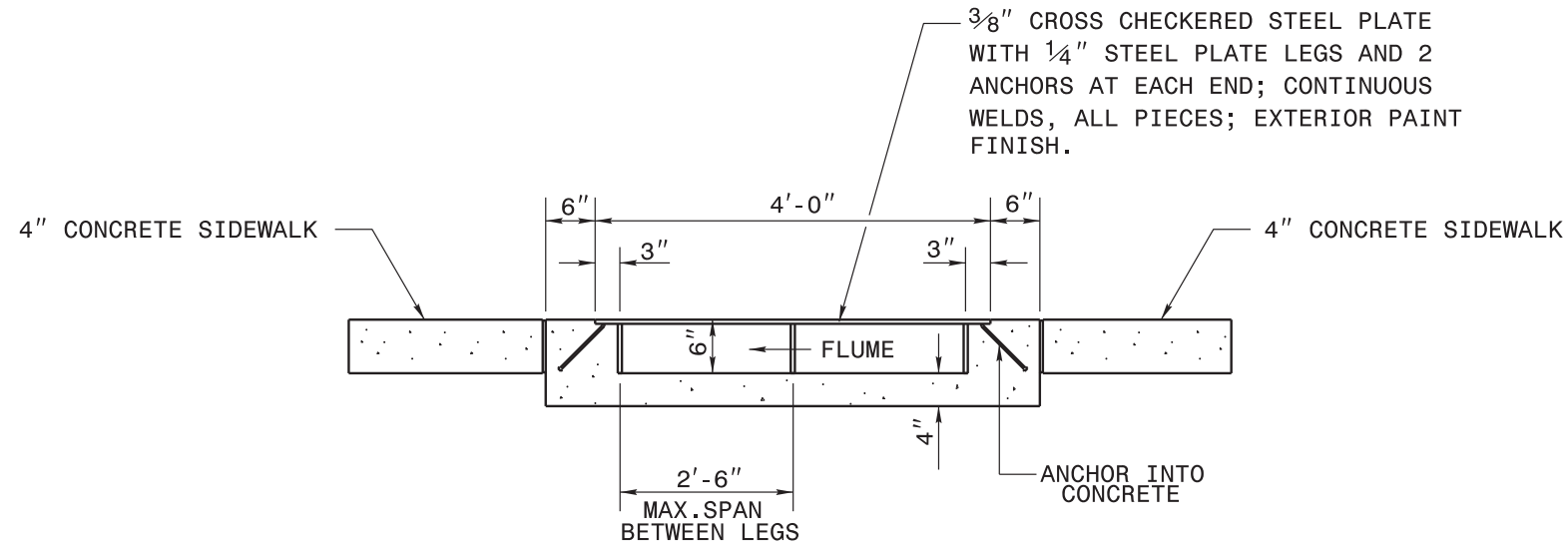
TYPICAL SECTION NO. 1

USE TYPICAL SECTION NO. 1
-L- STA. 12+00.00 TO 57+00.00

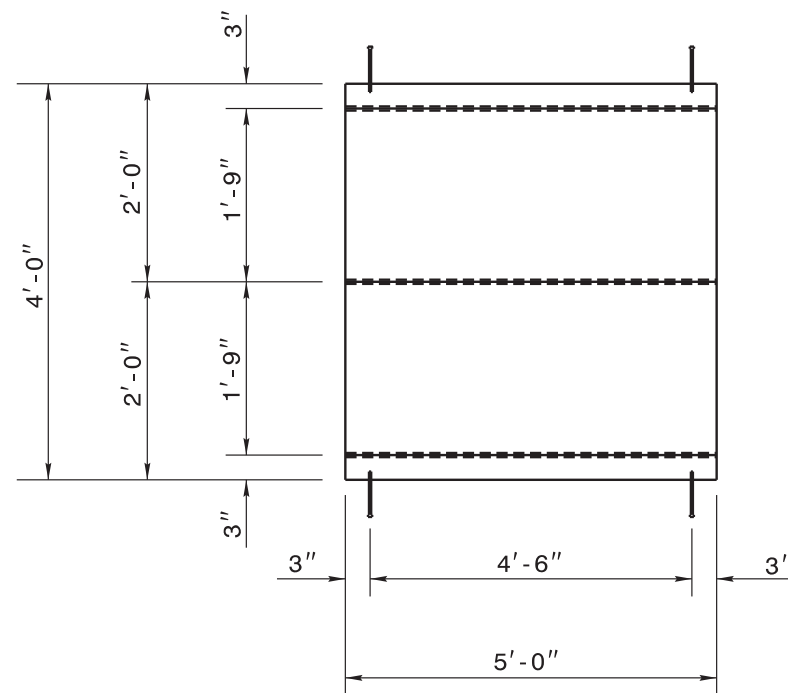
* UTILITY STRIP AS DIRECTED BY THE ENGINEER

REVISIONS

8/17/99
05-DEC-2017 jllh4
S:\DIVA\Staff\Engineer\Projects\Fairview\DM00236_rdy.txd



FLUME SECTION VIEW



STEEL FLUME PLATE

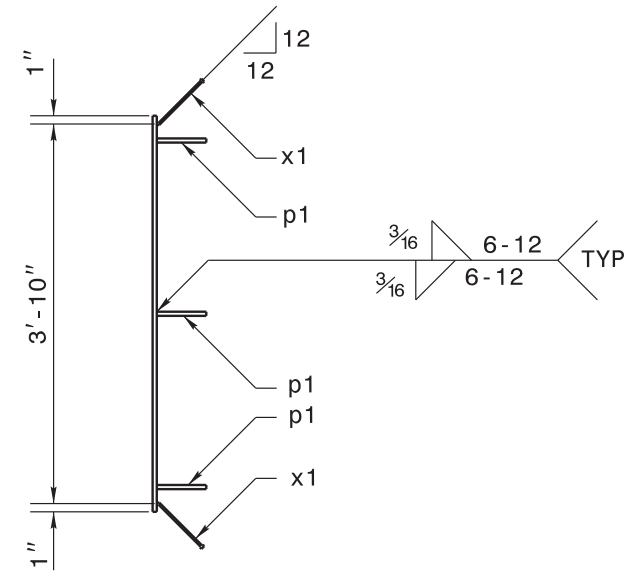


PLATE SECTION VIEW

MARK	QTY	DESCRIPTION	LENGTH	GRADE	ROUTING CODE
1P1	1	CP 3/8 x 48	5'-0"	A786	F
p1	3	PL 1/4 x 6	5'-0"	A36	
x1	4	1/2 WS	0'-6 1/8"	A108	

**CONTRACT STANDARDS
AND DEVELOPMENT UNIT**
Office 919-707-6900 FAX 919-250-4119

STEEL FLUME PLATE DETAIL

ORIGINAL BY: _____ DATE: _____
 MODIFIED BY: rtritt DATE: 12/1/17
 CHECKED BY: _____ DATE: _____
 FILE SPEC.: Dist2/Contracts/DW00236/Special Details

05-DEC-2017 10:28
 S:\CIVIL\Projects\Engineer\Projects\Fairview\Steel flume plate modified.dgn
 \$USER\$

8/17/99

REVISIONS

SYSTEM TIME: 8/17/99 10:00:00
USER: JLD



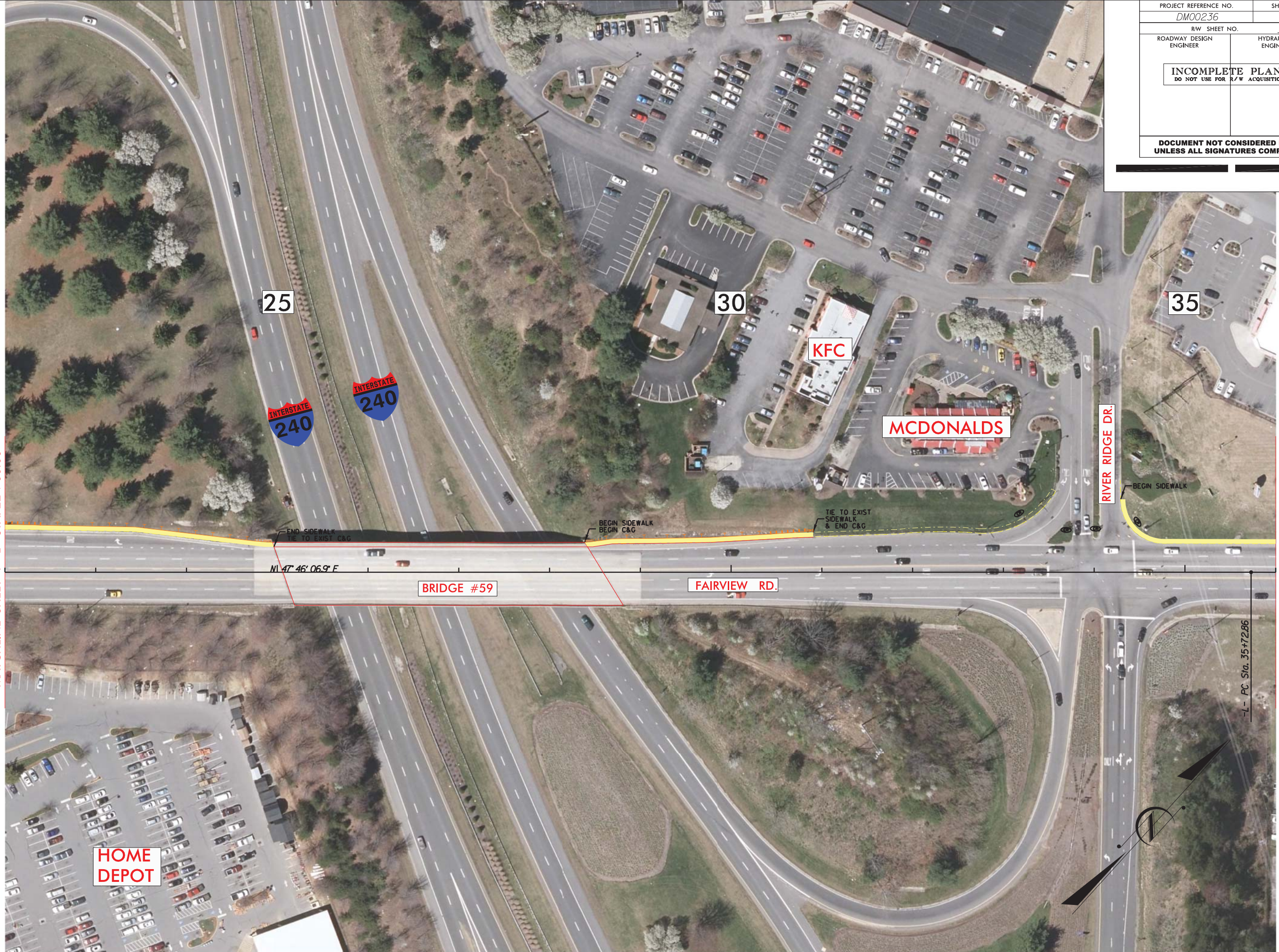
PROJECT REFERENCE NO. DM00236	SHEET NO. 4
R/W SHEET NO.	
ROADWAY DESIGN ENGINEER	HYDRAULICS ENGINEER
INCOMPLETE PLANS DO NOT USE FOR R/W ACQUISITION	
DOCUMENT NOT CONSIDERED FINAL UNLESS ALL SIGNATURES COMPLETED	

MATCHLINE SHEET 5 -L- STA. 22+00.00

REVISIONS

\$\$\$SYTIME\$\$\$\$\$
\$\$\$USERNAME\$\$\$\$\$

MATCHLINE SHEET 4 -L- STA. 22 + 00.00



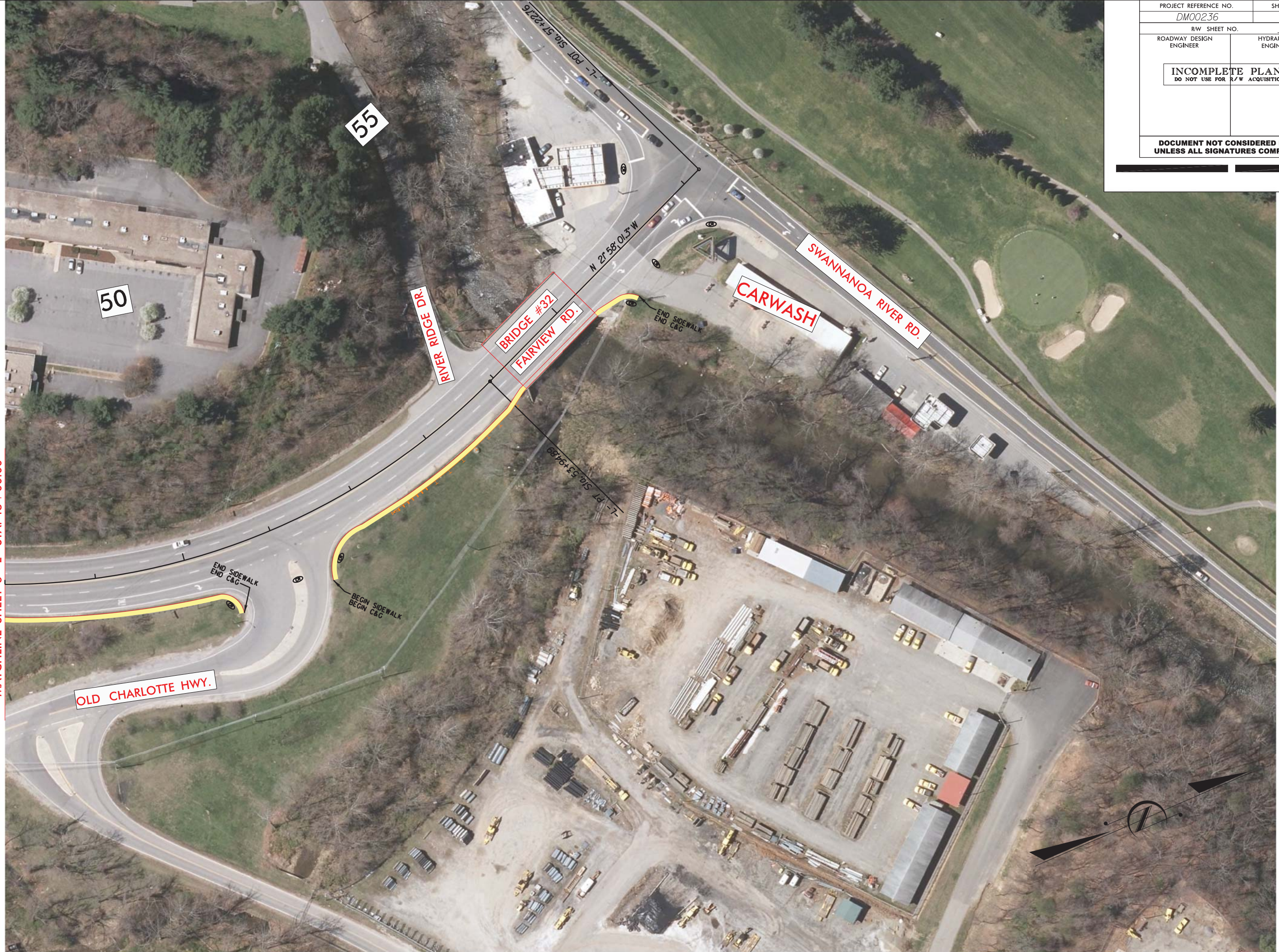
MATCHLINE SHEET 6 -L- STA. 36 + 00.00

PROJECT REFERENCE NO. DM00236	SHEET NO. 5
RW SHEET NO.	
ROADWAY DESIGN ENGINEER	HYDRAULICS ENGINEER
INCOMPLETE PLANS DO NOT USE FOR R/W ACQUISITION	
DOCUMENT NOT CONSIDERED FINAL UNLESS ALL SIGNATURES COMPLETED	

REVISIONS

\$\$\$SYTIME\$\$\$DON\$\$\$
\$\$\$USERNAME\$\$\$

MATCHLINE SHEET 6 -L- STA. 48 + 00.00



PROJECT REFERENCE NO. DM00236	SHEET NO. 7
R/W SHEET NO.	
ROADWAY DESIGN ENGINEER	HYDRAULICS ENGINEER
INCOMPLETE PLANS DO NOT USE FOR R/W ACQUISITION	
DOCUMENT NOT CONSIDERED FINAL UNLESS ALL SIGNATURES COMPLETED	

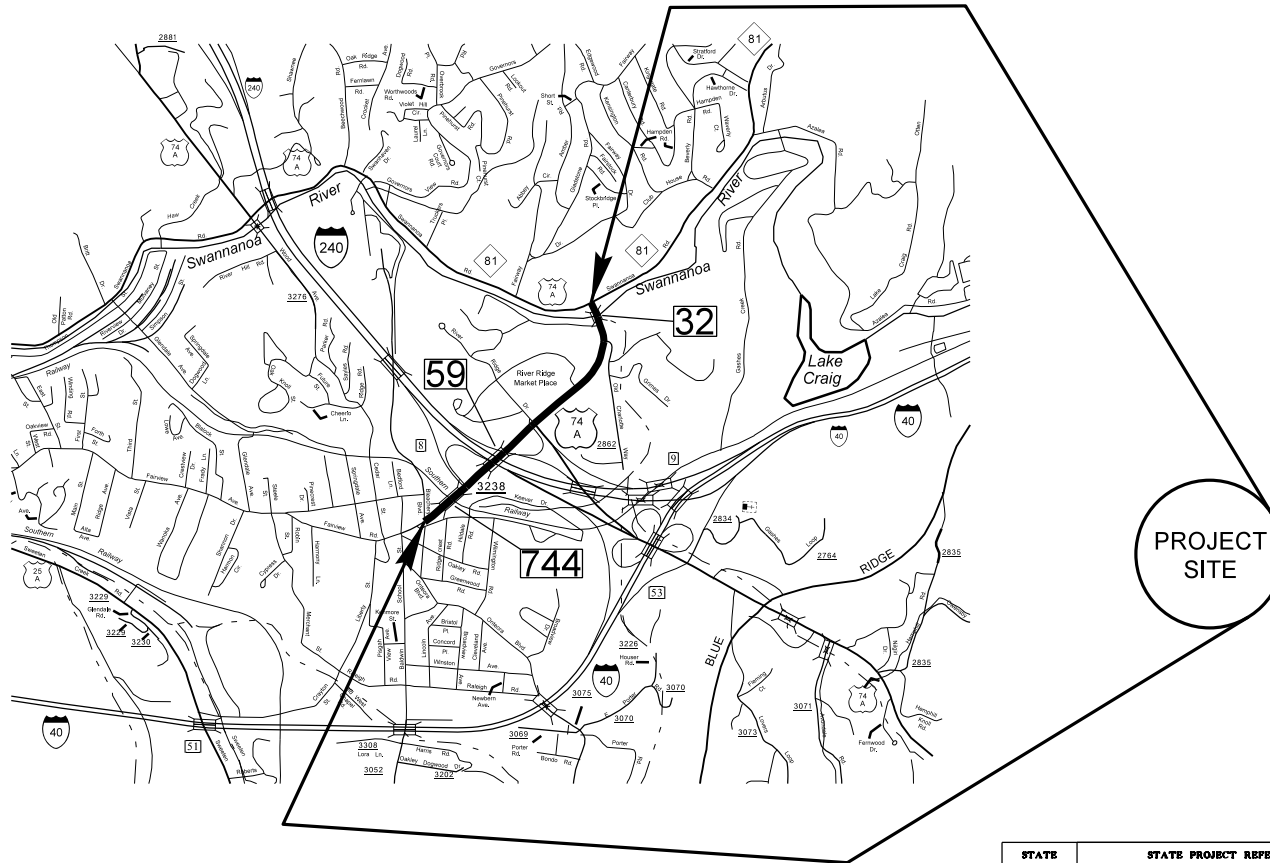
TIP NO.: SS-4913CN

CONTRACT NO.: DM00236

STATE OF NORTH CAROLINA
DIVISION OF HIGHWAYS

LOCATION: BUNCOMBE COUNTY

**DESCRIPTION: INSTALLATION OF SIDEWALK AND PEDESTRIAN CROSSINGS
ON US 74A/SR 3238 FROM BLEACHERY BLVD
TO NC 81 (SWANNANOA RIVER ROAD)**



STATE	STATE PROJECT REFERENCE NO.	SHEET NO.	TOTAL SHEETS
N.C.	47340.3.1	1	
STATE PROJ.NO.	F.A.PROJ.NO.	DESCRIPTION	
47340.1.1		PE	
47340.3.1		CONST.	