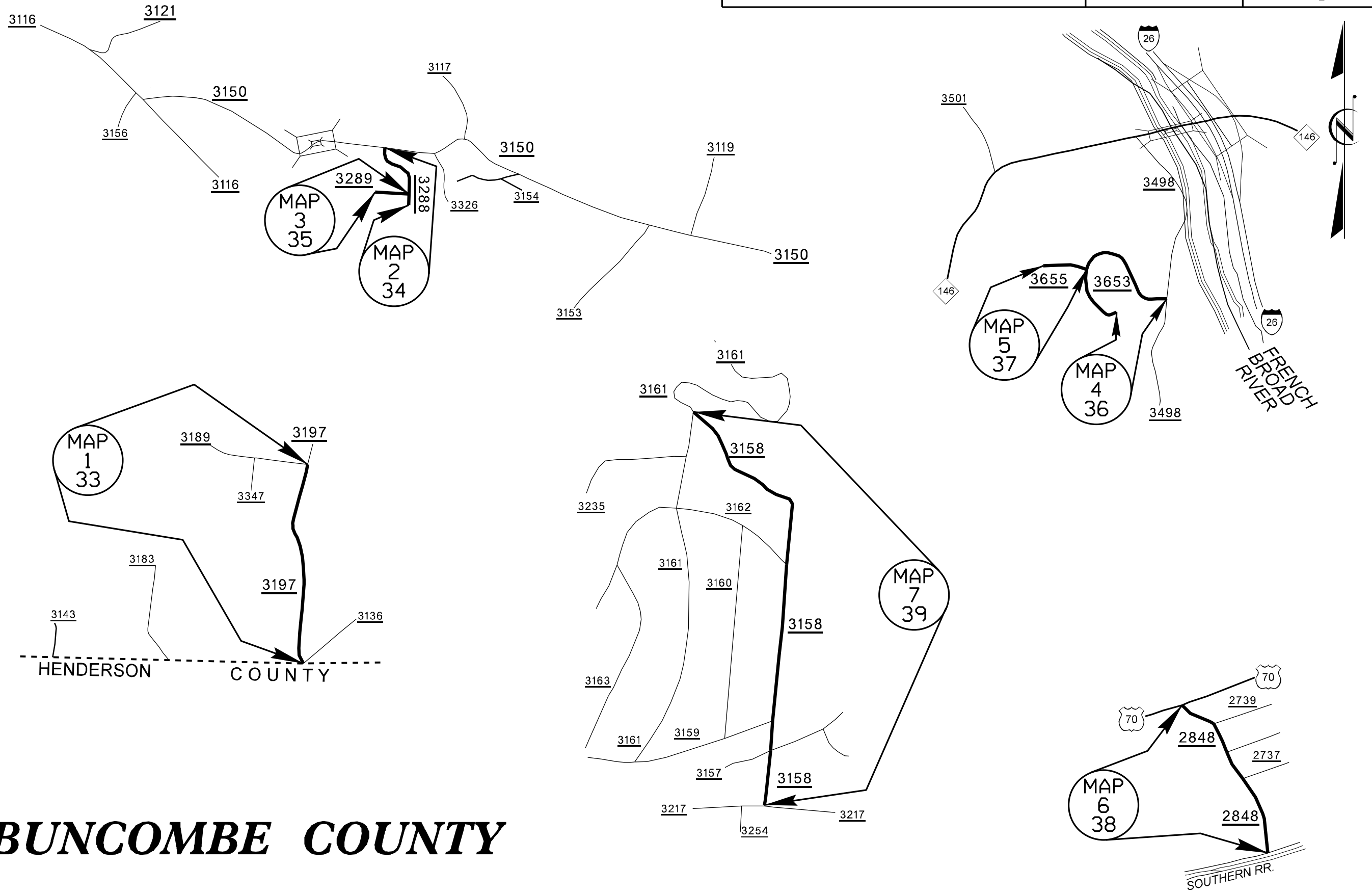
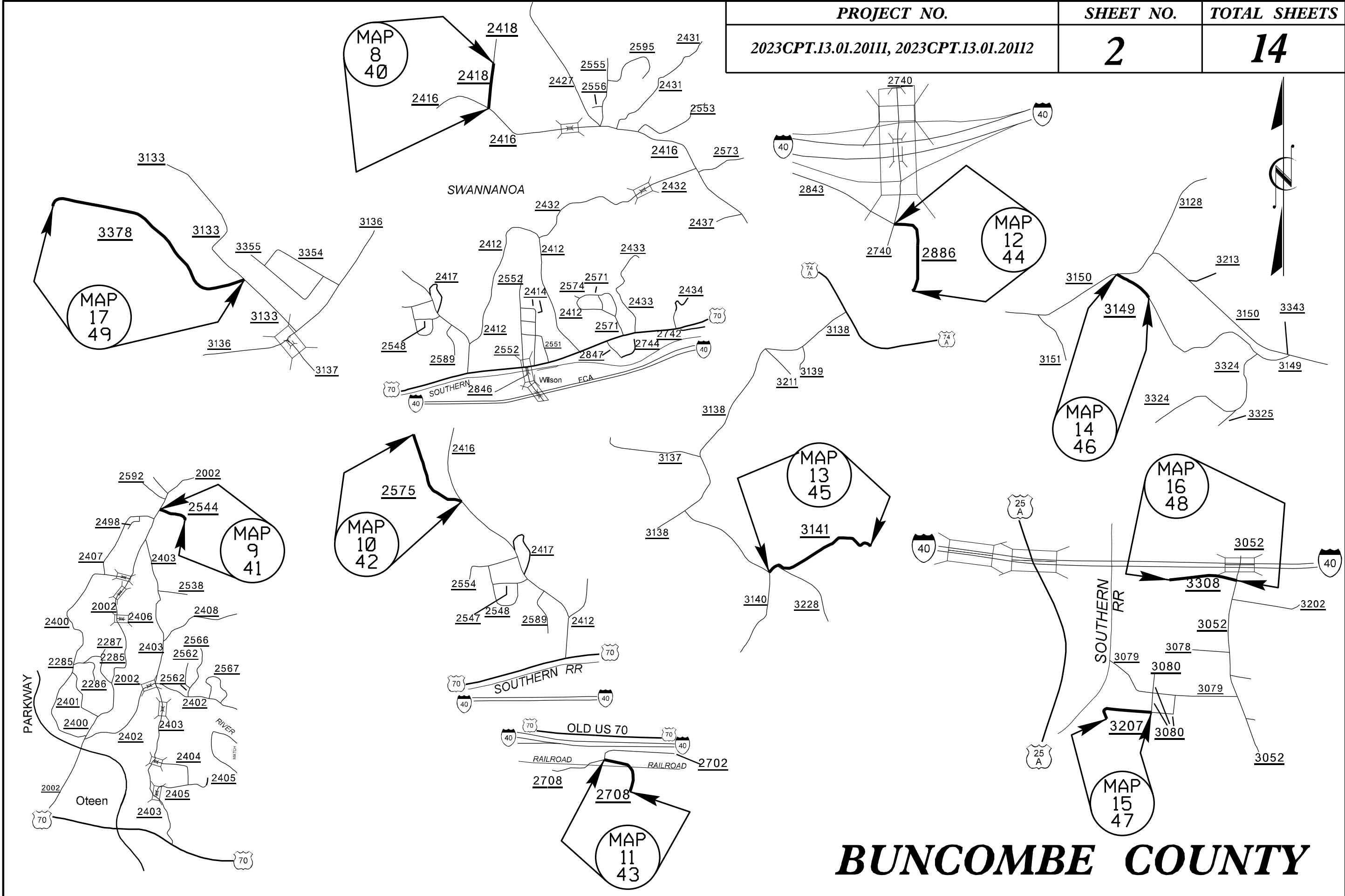


PROJECT NO.	SHEET NO.	TOTAL SHEETS
2023CPT.13.01.20111, 2023CPT.13.01.20112	<b>1</b>	<b>14</b>



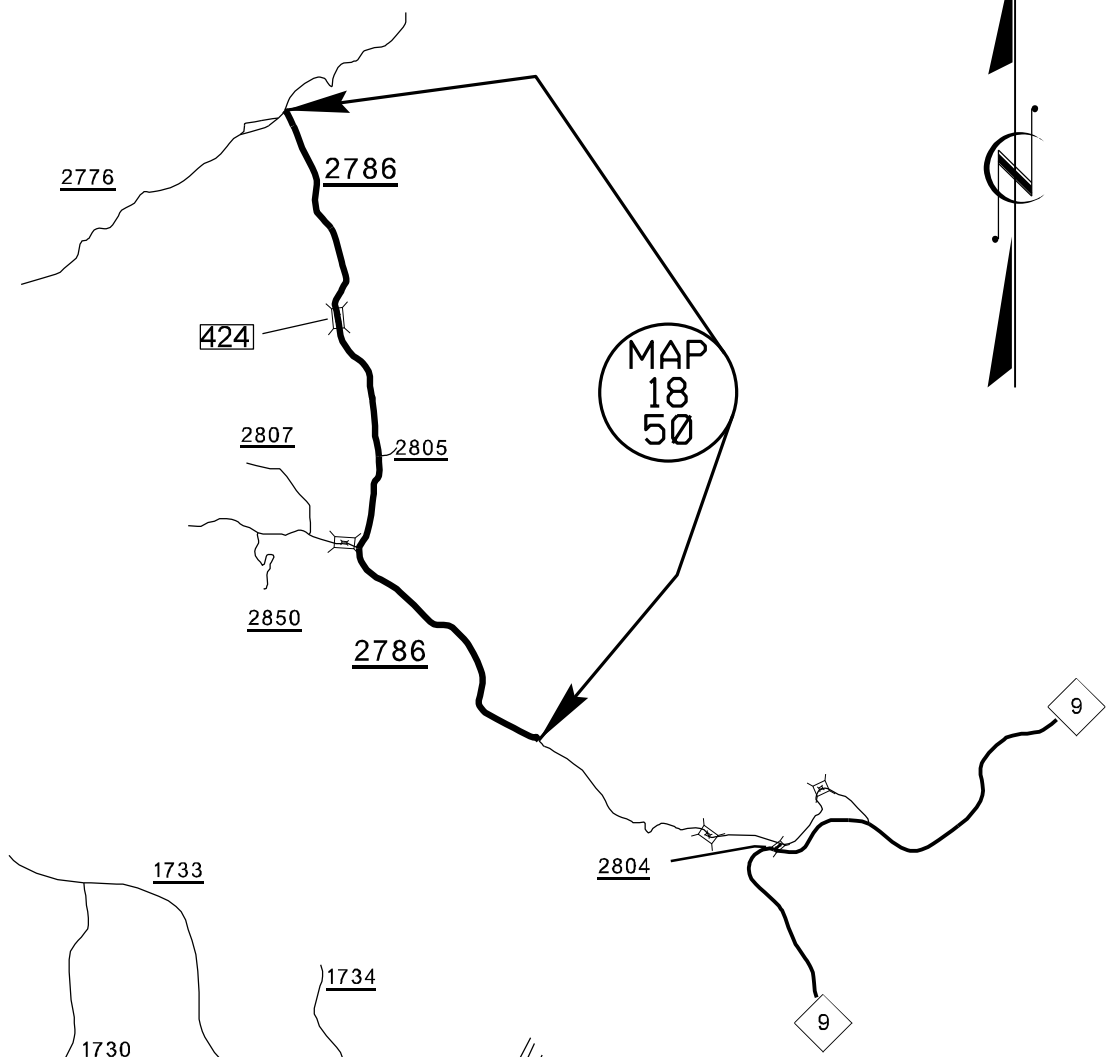
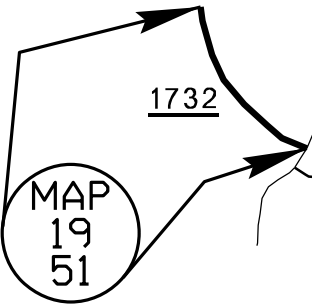
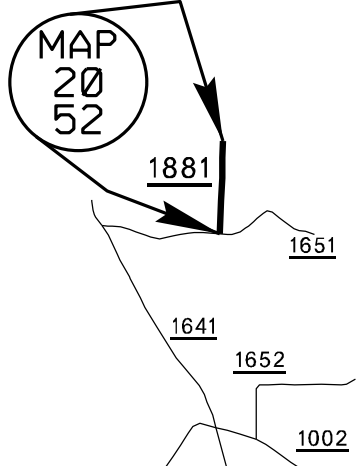
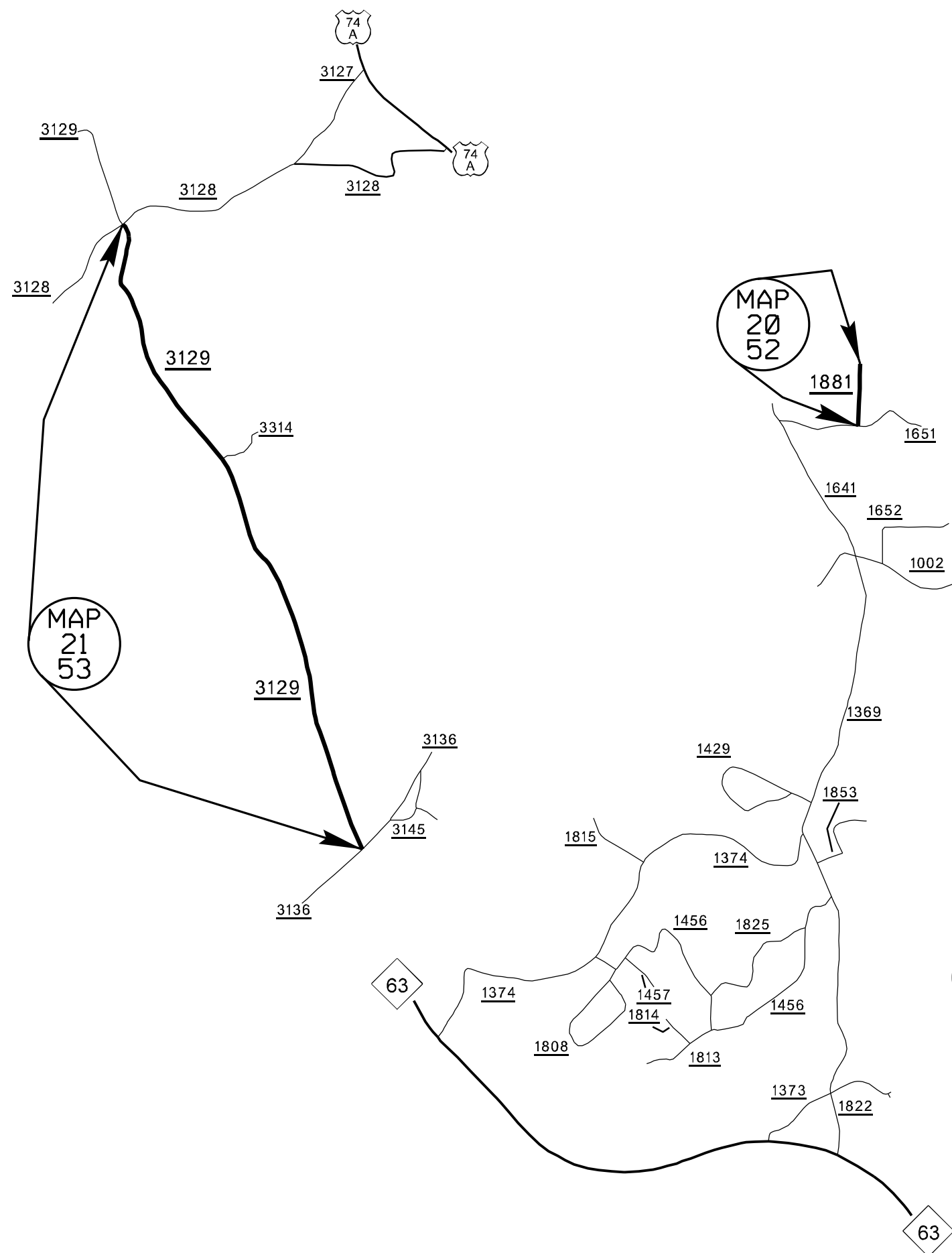
# BUNCOMBE COUNTY

PROJECT NO.	SHEET NO.	TOTAL SHEETS
2023CPT.13.01.20111, 2023CPT.13.01.20112	2	14



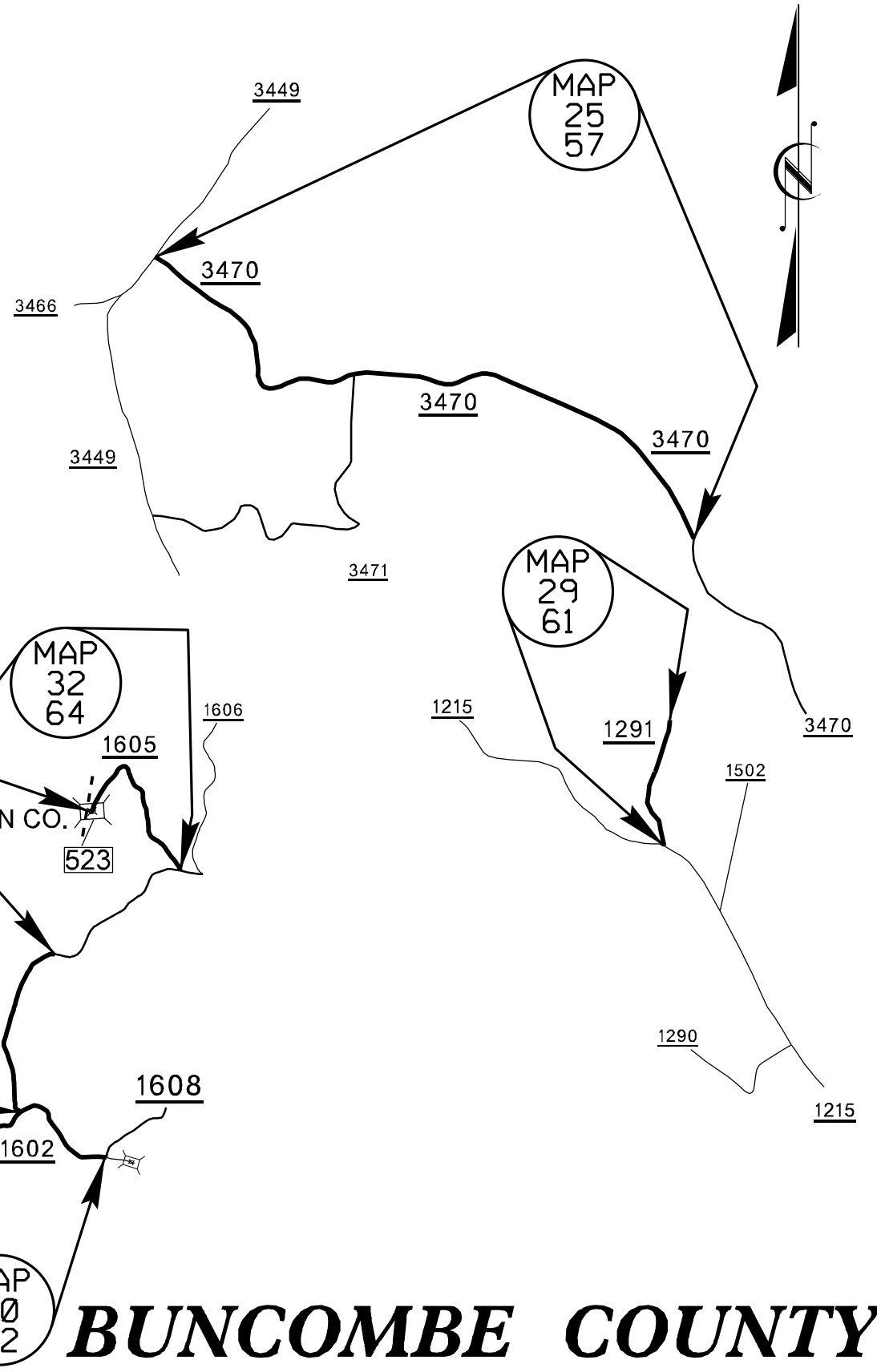
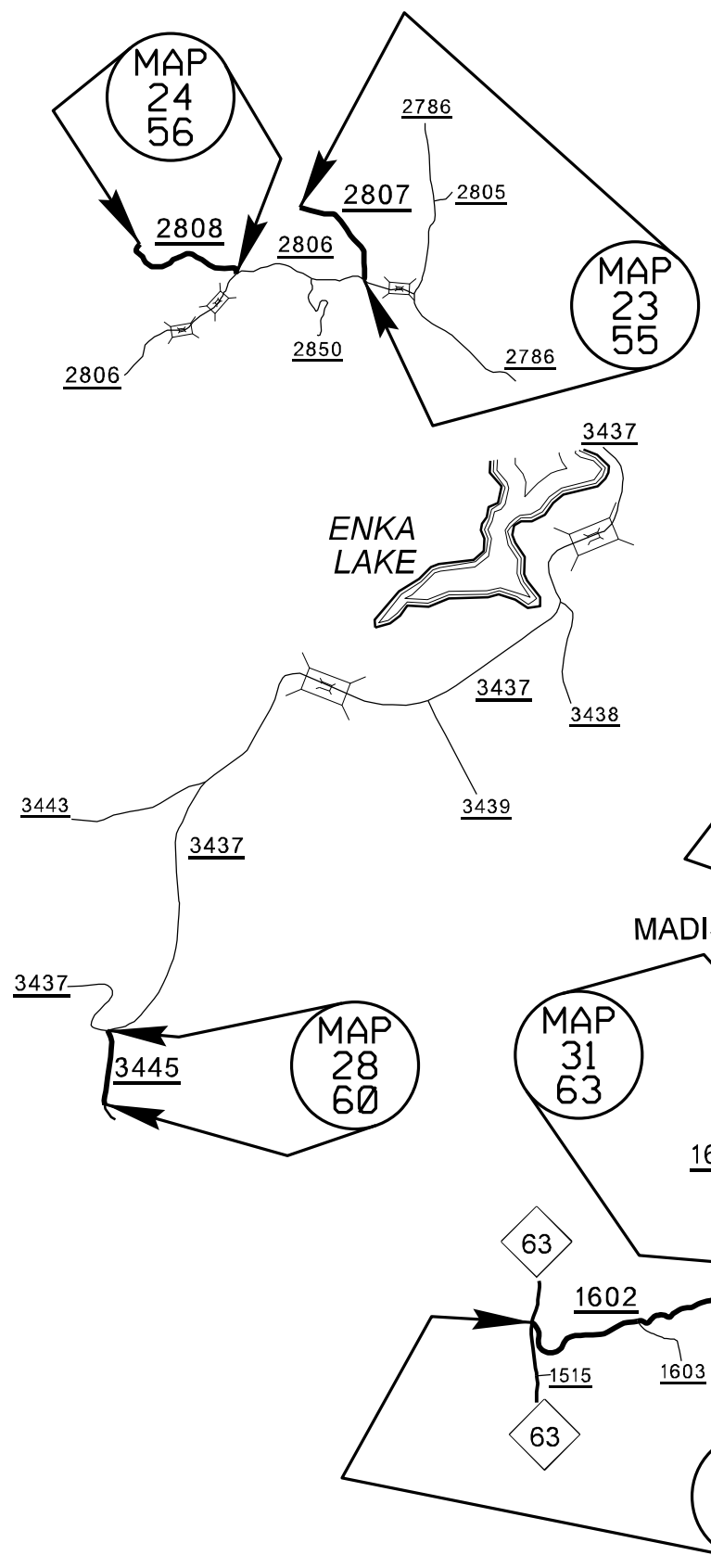
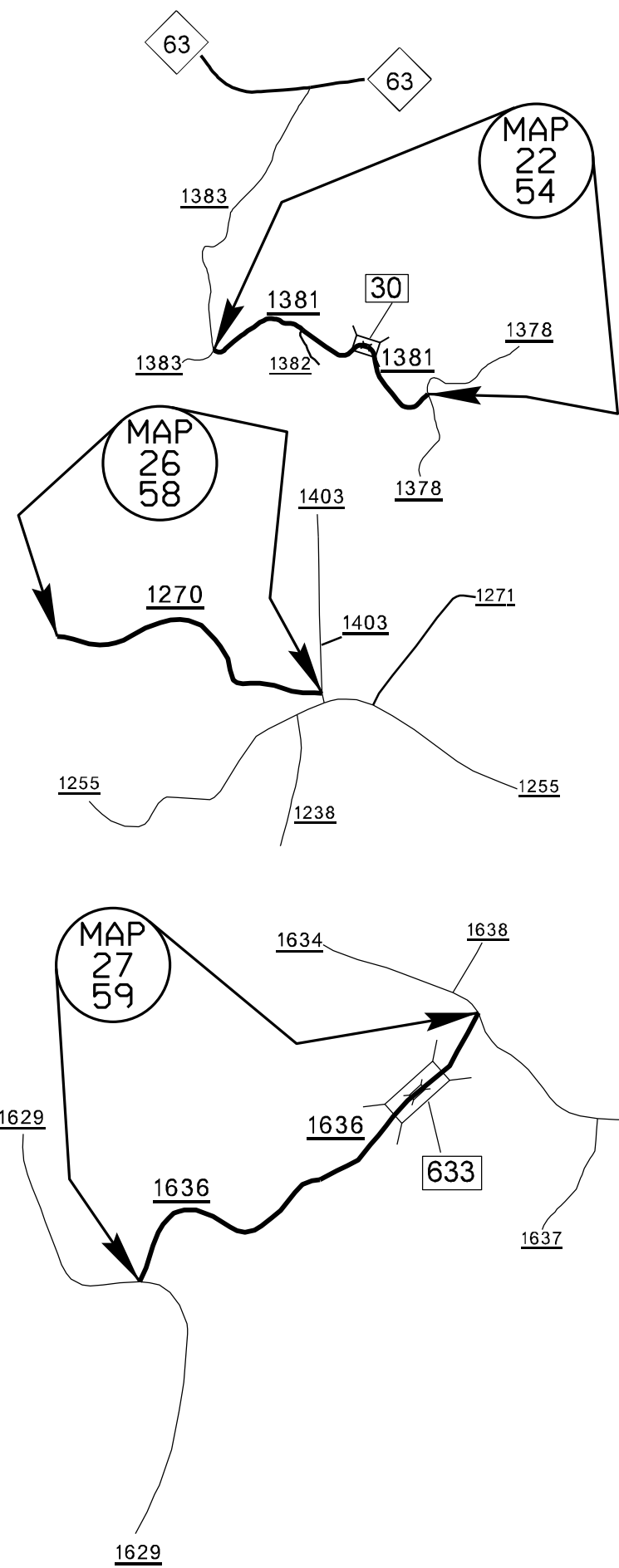
**BUNCOMBE COUNTY**

PROJECT NO.	SHEET NO.	TOTAL SHEETS
2023CPT.13.01.20111, 2023CPT.13.01.20112	3	14

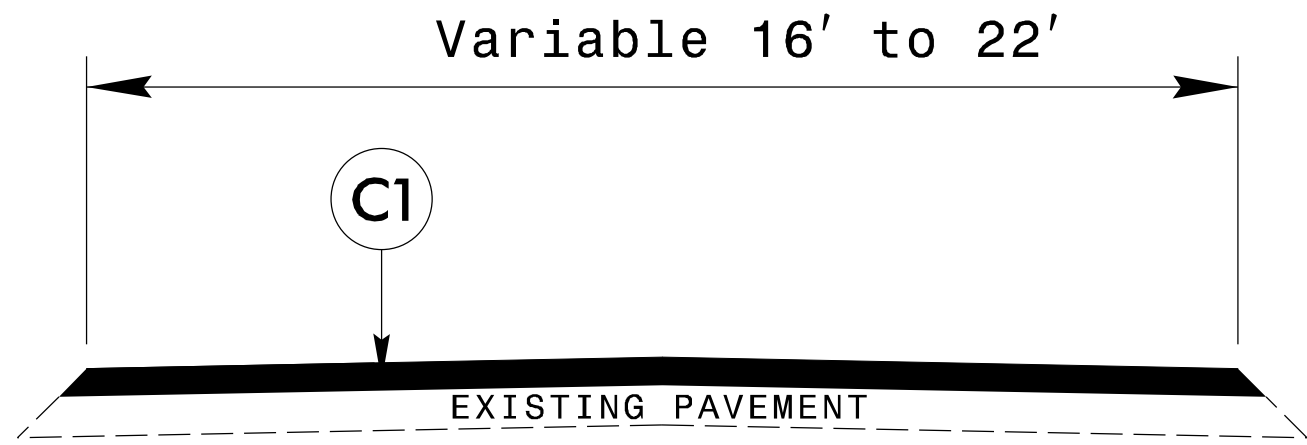


**BUNCOMBE COUNTY**

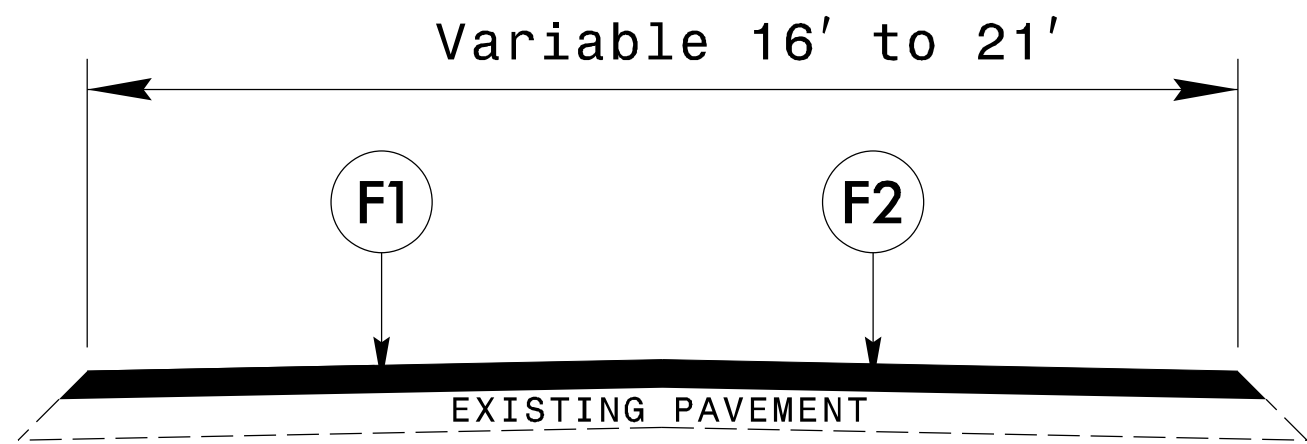
PROJECT NO.	SHEET NO.	TOTAL SHEETS
2023CPT.13.01.20111, 2023CPT.13.01.20112	4	14



**BUNCOMBE COUNTY**

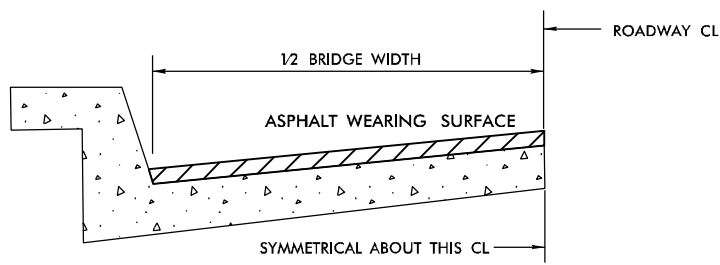


**TYPICAL SECTION #1**



**TYPICAL SECTION #2**

PAVEMENT SCHEDULE	
C1	PROP. APPROX. 1" ASPHALT CONCRETE SURFACE COURSE, TYPE S4.75A, AT AN AVERAGE RATE OF 110 LBS. PER SQ. YARD
F1	ASPHALT SURFACE TREATMENT, DOUBLE SEAL
F2	ASPHALT SURFACE TREATMENT, FOG SEAL



**BRIDGE HALF TYPICAL SECTION**

FOR BRIDGES WITH FLOOR DRAINS, CARE SHALL BE EXERCISED IN PLACING THE WEARING SURFACE AROUND FLOOR DRAINS SO AS NOT TO HINDER EFFECTIVE DRAINAGE. ALL DRAINS SHALL BE LEFT OPEN.

THE PROPOSED WEARING SURFACE SHALL VARY IN THICKNESS AS NECESSARY TO PROVIDE A SMOOTH RIDING SURFACE. THE MINIMUM THICKNESS SHOULD DEPEND ON PAVEMENT TYPE AS FOLLOWS: S4.75A 1/2", S9.5B 1", S9.5C,D 1.5" - 2". ULTRA-THIN HOT MIX ASPHALT - TYPE A 3/4", ULTRA-THIN HOT MIX ASPHALT - TYPE B 5/8", ULTRA-THIN HOT MIX ASPHALT - TYPE C 1/2". THE MAXIMUM THICKNESS SHOULD DEPEND ON PAVEMENT TYPE AS FOLLOWS: S4.75A 1", S9.5B 1.5", S9.5C,D 2". ULTRA-THIN HOT MIX ASPHALT - TYPE A 3/4", ULTRA-THIN HOT MIX ASPHALT - TYPE B 5/8", ULTRA-THIN HOT MIX ASPHALT - TYPE C 1/2".

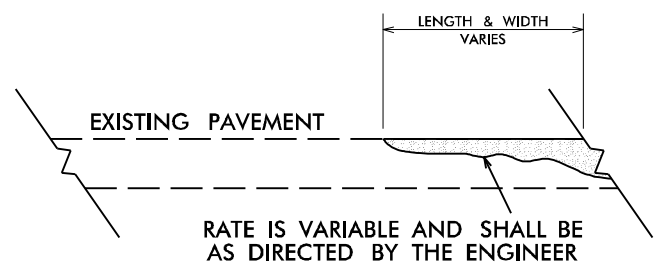
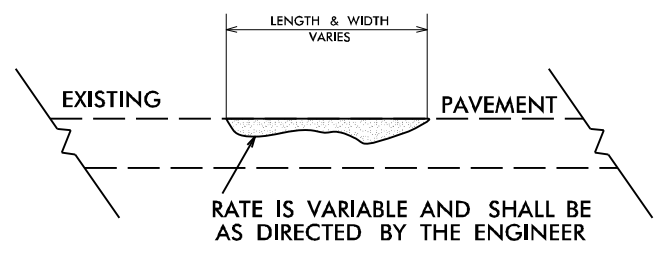
**NOTES**

ALL UNPAVED ROADS TO BE RESURFACED 50' FROM EDGE OF PAVEMENT OF MAIN PROJECT. ALL PAVED S. R. ROADS TO BE RESURFACED TO THE ENDS OF THE RADII, OR AS DIRECTED BY THE ENGINEER.

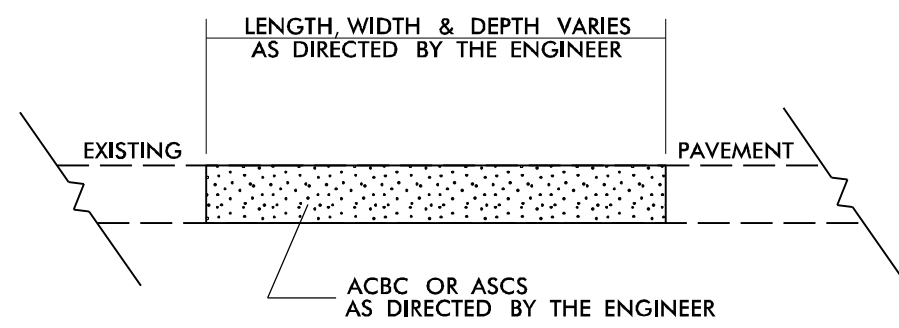
EDGES, PAVEMENT WIDENING, INTERSECTIONS AND BRIDGE FLARES ARE INCLUDED IN THE TABLE OF QUANTITIES.

SHOULDERS AND DITCHES ARE TO BE CONSTRUCTED BY OTHERS UNLESS OTHERWISE INDICATED.

BRIDGES ARE TO BE RESURFACED AT LOCATIONS AND TO DEPTH AS DIRECTED BY THE ENGINEER.



**DETAIL SHOWING METHOD OF WEDGING**



**PATCHING EXISTING PAVEMENT**

05-JAN-2022 09:49  
 S:\DD\Resurfacing\2023 Resurfacing\District 2\Buncombe PP\Maps and Typicals\2023\_Buncombe\_ddc\_Typ.andDet.dgn  
 6/2/99

PROJECT NO.	SHEET NO.	TOTAL NO.
2023CPT.13.01.20111, 2023CPT.13.01.20112	7	14

## SUMMARY OF QUANTITIES

PROJECT NO	COUNTY	MAP NO	ROUTE	DESCRIPTION	TYP NO	LANES	LANE TYPE	FINAL SURFACE TESTING REQUIRED	WARM MIX ASPHALT REQUIRED	LENGTH	WIDTH	1526000000-E	1575000000-E	1704000000-E	1803500000-E	1820000000-E	1838000000-E	1838500000-N	2830000000-N	2845000000-N		
												ASPHALT CONC SURFACE COURSE, TYPE S4.75A	ASPHALT BINDER FOR PLANT MIX	PATCHING EXISTING PAVEMENT	ASPHALT SURFACE TREATMENT, DOUBLE SEAL	ASPHALT SURFACE TREATMENT, FOG SEAL	EMULSION FOR ASPHALT SURFACE TREATMENT	VACUUM TRUCK	ADJUSTMENT OF MANHOLES	ADJUSTMENT OF METER BOXES OR VALVE BOXES		
											MI	FT	TON	TON	TON	SY	SY	GAL	WK	EA	EA	
2023CPT.13.01.20111	Buncombe	1	SR 3197 (LOWER CHRIST RD)	FROM HENDERSON CO. TO SR 3189 (MP 0.06 - 0.52)	1	2	2WU	NO	NO	0.51	20											
2023CPT.13.01.20111	Buncombe	2	SR 3288 (WALSH TERRACE)	FROM SR 3150 TO CUL-DE-SAC (MP 0.00 - MP 0.18)	1	2	2WU	NO	NO	0.18	20											
2023CPT.13.01.20111	Buncombe	3	SR 3289 (RUSSETT LANE)	FROM SR 3288 TO CUL-DE-SAC (MP 0.00 - MP 0.09)	1	2	2WU	NO	NO	0.13	18											
2023CPT.13.01.20111	Buncombe	4	SR 3653 (LARK HILL DR)	FROM SR 3498 TO CUL-DE-SAC (MP 0.00 - MP 0.44)	1	2	2WU	NO	NO	0.44	20											
2023CPT.13.01.20111	Buncombe	5	SR 3655 (BAINBRIDGE CT)	FROM SR 3653 TO CUL-DE-SAC (MP 0.00 - MP 0.12)	1	2	2WU	NO	NO	0.12	22											
2023CPT.13.01.20111	Buncombe	6	SR 2848 (ASHEVILLE RD)	FROM US-70 TO RAIL ROAD (MP 0.00 - MP 0.29)	1	2	2WU	NO	NO	0.26	16											
2023CPT.13.01.20111	Buncombe	7	SR 3158 (OAK TERRACE)	FROM END C&G TO SR 3161 (MP 0.05 - MP 0.50)	1	2	2WU	NO	NO	0.5	20											
2023CPT.13.01.20111	Buncombe	8	SR 2418 (OLD BEE TREE RD)	FROM SR 2416 TO BEG 16' PVT (MP 0.00 - MP 0.29)	2	2	2WU	NO	NO	0.27	21											
2023CPT.13.01.20111	Buncombe	9	SR 2544 (REED RD)	FROM SR 2002 TO E.O.M. (MP 0.00 - MP 0.20)	2	2	2WU	NO	NO	0.19	18.5											
2023CPT.13.01.20111	Buncombe	10	SR 2575 (COLLEGE VIEW DR)	FROM SR 2416 TO DEAD END (MP 0.00 - MP 0.36)	2	2	2WU	NO	NO	0.36	20											
2023CPT.13.01.20111	Buncombe	11	SR 2708 (SHUMATE RD/BURGIN COVE RD)	FROM BEG. MAINT. TO SR 2702 (MP 0.00 - MP 0.15)	2	2	2WU	NO	NO	0.2	18											
2023CPT.13.01.20111	Buncombe	12	SR 2886 (NEW VALLEY/GRANT MOUNTAIN RD)	FROM SR 2740 TO END PVMNT (MP 0.00 - MP 0.12)	2	2	2WU	NO	NO	0.13	18.5											
2023CPT.13.01.20111	Buncombe	13	SR 3141 (FOX RD/FOX BRANCH RD)	FROM SR 3140 TO E.O.M. (MP 0.00 - MP 0.51)	2	2	2WU	NO	NO	0.44	18											
2023CPT.13.01.20111	Buncombe	14	SR 3149 (OLD CONCORD RD)	FROM SR 3150 TO E.O.M. (MP 0.00 - MP 0.15)	2	2	2WU	NO	NO	0.14	18											
2023CPT.13.01.20111	Buncombe	15	SR 3207 (FRENO DR)	FROM SR 3080 TO E.O.M. (MP 0.00 - MP 0.16)	2	2	2WU	NO	NO	0.16	18											
2023CPT.13.01.20111	Buncombe	16	SR 3308 (LORA LANE)	FROM SE 3052 TO E.O.M. (MP 0.00 - MP 0.19)	2	2	2WU	NO	NO	0.18	21											
2023CPT.13.01.20111	Buncombe	17	SR 3378 (SHARON RIDGE RD.)	FROM SR 3133 TO END PVMNT (MP 0.00 - MP 0.65)	2	2	2WU	NO	NO	0.66	19.5											
2023CPT.13.01.20111	Buncombe	18	SR 2786 (FLAT CREEK RD/ MORGAN HILL RD)	FROM SR 2776 TO PVMNT CHG (MP 0.15 - MP 3.56)	2	2	2WU	NO	NO	3.56	19.5											
2023CPT.13.01.20111	Buncombe	19	SR 1732 (AYERS RD)	FROM SR 1730 TO DEAD END (MP 0.00 - MP 0.30)	2	2	2WU	NO	NO	0.3	19											
2023CPT.13.01.20111	Buncombe	20	SR 1881 (PINE KNOLL DR)	FROM SR 1651 TO DEAD END (MP 0.00 - MP 0.16)	2	2	2WU	NO	NO	0.16	18.5											
2023CPT.13.01.20111	Buncombe	21	SR 3129 (GAP CREEK RD)	FROM SR 3136 TO SR 3128 (MP 0.00 - MP 1.77)	2	2	2WU	NO	NO	1.77	20											
2023CPT.13.01.20111	Buncombe	22	SR 1381 (RABBIT HAM RD)	FROM SR 1378 TO SR 1383 (MP 0.00 - MP 1.41)	2	2	2WU	NO	NO	1.41	18.5											
2023CPT.13.01.20111	Buncombe	23	SR 2807 (MARLOWE RD)	FROM 2806 TO E.O.M. (MP 0.00 - MP 0.35)	2	2	2WU	NO	NO	0.35	20											
2023CPT.13.01.20111	Buncombe	24	SR 2808 (LEE DOTSON RD)	FROM SR 2806 TO E.O.M. (MP 0.00 - MP 0.64)	2	2	2WU	NO	NO	0.64	16											
2023CPT.13.01.20111	Buncombe	25	SR 3470 (BILLY COVE RD)	FROM SR 3449 TO E.O.M. (MP 0.00 - MP 0.86)	2	2	2WU	NO	NO	0.86	18.5											
2023CPT.13.01.20111	Buncombe	26	SR 1270 (OLD STARNES COVE RD)	FROM SR 1403 TO E.O.M. (MP 0.00 - MP 0.39)	1	2	2WU	NO	NO	0.39	17											
2023CPT.13.01.20111	Buncombe	27	SR 1636 (EMBLER RD)	FROM SR 1634 TO SR 1629 (MP 0.00 - MP 0.62)	2	2	2WU	NO	NO	0.62	19.5											
2023CPT.13.01.20111	Buncombe	28	SR 3445 (SLUDER BRANCH RD)	FROM SR 3437 TO E.O.M. (MP 0.00 - MP 0.20)	1	2	2WU	NO	NO	0.2	17.5											
2023CPT.13.01.20111	Buncombe	29	SR 1291 (GROOMS RD)	FROM SR 1215 TO E.O.M. (MP 0.00 - MP 0.17)	1	2	2WU	NO	NO	0.17	18											
2023CPT.13.01.20111	Buncombe	30	SR 1602 (DON FELMET RD)	FROM NC 63 TO SR 1608 (MP 0.00 - MP 1.97)	2	2	2WU	NO	NO	1.97	20											
2023CPT.13.01.20111	Buncombe	31	SR 1604 (PINEY KNOB RD)	FROM SR 1602 TO SR 1607 (MP 0.00 - MP 1.95)	2	2	2WU	NO	NO	1.95	19											
2023CPT.13.01.20111	Buncombe	32	SR 1605 (TEAGUE RD)	FROM SR 1604 TO COUNTY LINE (MP 0.00 - MP 0.96)	2	2	2WU	NO	NO	0.96	19											
<b>TOTAL FOR PROJ NO. 2023CPT.13.01.20111</b>											<b>20.18</b>				<b>2,861</b>							

PROJECT NO.	SHEET NO.	TOTAL NO.
2023CPT.13.01.20111, 2023CPT.13.01.20112	8	14

## SUMMARY OF QUANTITIES

PROJECT NO	COUNTY	MAP NO	ROUTE	DESCRIPTION	TYP NO	LANES	LANE TYPE	FINAL SURFACE TESTING REQUIRED	WARM MIX ASPHALT REQUIRED	LENGTH	WIDTH	1526000000-E	1575000000-E	1704000000-E	1803500000-E	1820000000-E	1838000000-E	1838500000-N	2830000000-N	2845000000-N	
												ASPHALT CONC SURFACE COURSE, TYPE S4.75A	ASPHALT BINDER FOR PLANT MIX	PATCHING EXISTING PAVEMENT	ASPHALT SURFACE TREATMENT, DOUBLE SEAL	ASPHALT SURFACE TREATMENT, FOG SEAL	EMULSION FOR ASPHALT SURFACE TREATMENT	VACUUM TRUCK	ADJUSTMENT OF MANHOLES	ADJUSTMENT OF METER BOXES OR VALVE BOXES	
												TON	TON	TON	SY	SY	GAL	WK	EA	EA	
2023CPT.13.01.20112	Buncombe	33	SR 3197 (LOWER CHRIST RD)	FROM HENDERSON CO. TO SR 3189 (MP 0.06 - 0.52)	1	2	2WU	NO	NO	0.51	20	324	23								
2023CPT.13.01.20112	Buncombe	34	SR 3288 (WALSH TERRACE)	FROM SR 3150 TO CUL-DE-SAC (MP 0.00 - MP 0.18)	1	2	2WU	NO	NO	0.18	20	140	10								1
2023CPT.13.01.20112	Buncombe	35	SR 3289 (RUSSETT LANE)	FROM SR 3288 TO CUL-DE-SAC (MP 0.00 - MP 0.09)	1	2	2WU	NO	NO	0.13	18	74	5								
2023CPT.13.01.20112	Buncombe	36	SR 3653 (LARK HILL DR)	FROM SR 3498 TO CUL-DE-SAC (MP 0.00 - MP 0.44)	1	2	2WU	NO	NO	0.44	20	281	20								
2023CPT.13.01.20112	Buncombe	37	SR 3655 (BAINBRIDGE CT)	FROM SR 3653 TO CUL-DE-SAC (MP 0.00 - MP 0.12)	1	2	2WU	NO	NO	0.12	22	88	6								
2023CPT.13.01.20112	Buncombe	38	SR 2848 (ASHEVILLE RD)	FROM US-70 TO RAIL ROAD (MP 0.00 - MP 0.29)	1	2	2WU	NO	NO	0.26	16	132	9								1
2023CPT.13.01.20112	Buncombe	39	SR 3158 (OAK TERRACE)	FROM END C&G TO SR 3161 (MP 0.05 - MP 0.50)	1	2	2WU	NO	NO	0.5	20	314	22						3	3	
2023CPT.13.01.20112	Buncombe	40	SR 2418 (OLD BEE TREE RD)	FROM SR 2416 TO BEG 16' PVT (MP 0.00 - MP 0.29)	2	2	2WU	NO	NO	0.27	21				3,267	3,267	1,960	23.00			
2023CPT.13.01.20112	Buncombe	41	SR 2544 (REED RD)	FROM SR 2002 TO E.O.M. (MP 0.00 - MP 0.20)	2	2	2WU	NO	NO	0.19	18.5				2,025	2,025	1,215				
2023CPT.13.01.20112	Buncombe	42	SR 2575 (COLLEGE VIEW DR)	FROM SR 2416 TO DEAD END (MP 0.00 - MP 0.36)	2	2	2WU	NO	NO	0.36	20				4,224	4,224	2,534				
2023CPT.13.01.20112	Buncombe	43	SR 2708 (SHUMATE RD/BURGIN COVE RD)	FROM BEG. MAINT. TO SR 2702 (MP 0.00 - MP 0.15)	2	2	2WU	NO	NO	0.2	18				2,150	2,150	1,290				
2023CPT.13.01.20112	Buncombe	44	SR 2886 (NEW VALLEY/GRANT MOUNTAIN RD)	FROM SR 2740 TO END PVMNT (MP 0.00 - MP 0.12)	2	2	2WU	NO	NO	0.13	18.5				1,349	1,349	810				
2023CPT.13.01.20112	Buncombe	45	SR 3141 (FOX RD/FOX BRANCH RD)	FROM SR 3140 TO E.O.M. (MP 0.00 - MP 0.51)	2	2	2WU	NO	NO	0.44	18				4,630	4,630	2,778				
2023CPT.13.01.20112	Buncombe	46	SR 3149 (OLD CONCORD RD)	FROM SR 3150 TO E.O.M. (MP 0.00 - MP 0.15)	2	2	2WU	NO	NO	0.14	18				1,480	1,480	888				
2023CPT.13.01.20112	Buncombe	47	SR 3207 (FRENO DR)	FROM SR 3080 TO E.O.M. (MP 0.00 - MP 0.16)	2	2	2WU	NO	NO	0.16	18				1,720	1,720	1,032				
2023CPT.13.01.20112	Buncombe	48	SR 3308 (LORA LANE)	FROM SE 3052 TO E.O.M. (MP 0.00 - MP 0.19)	2	2	2WU	NO	NO	0.18	21				2,228	2,228	1,337				
2023CPT.13.01.20112	Buncombe	49	SR 3378 (SHARON RIDGE RD)	FROM SR 3133 TO END PVMNT (MP 0.00 - MP 0.65)	2	2	2WU	NO	NO	0.66	19.5				7,529	7,529	4,518				
2023CPT.13.01.20112	Buncombe	50	SR 2786 (FLAT CREEK RD/MORGAN HILL RD)	FROM SR 2776 TO PVMT CHG (MP 0.15 - MP 3.56)	2	2	2WU	NO	NO	3.56	19.5				41,295	41,295	24,777				
2023CPT.13.01.20112	Buncombe	51	SR 1732 (AYERS RD)	FROM SR 1730 TO DEAD END (MP 0.00 - MP 0.30)	2	2	2WU	NO	NO	0.3	19				3,232	3,232	1,940				
2023CPT.13.01.20112	Buncombe	52	SR 1881 (PINE KNOLL DR)	FROM SR 1651 TO DEAD END (MP 0.00 - MP 0.16)	2	2	2WU	NO	NO	0.16	18.5				1,779	1,779	1,068				
2023CPT.13.01.20112	Buncombe	53	SR 3129 (GAP CREEK RD)	FROM SR 3136 TO SR 3128 (MP 0.00 - MP 1.77)	2	2	2WU	NO	NO	1.77	20				21,018	21,018	12,611				
2023CPT.13.01.20112	Buncombe	54	SR 1381 (RABBIT HAM RD)	FROM SR 1378 TO SR 1383 (MP 0.00 - MP 1.41)	2	2	2WU	NO	NO	1.41	18.5				15,575	15,575	9,345				
2023CPT.13.01.20112	Buncombe	55	SR 2807 (MARLOWE RD)	FROM SR 2806 TO E.O.M. (MP 0.00 - MP 0.35)	2	2	2WU	NO	NO	0.35	20				4,107	4,107	2,464				
2023CPT.13.01.20112	Buncombe	56	SR 2808 (LEE DOTSON RD)	FROM SR 2806 TO E.O.M. (MP 0.00 - MP 0.64)	2	2	2WU	NO	NO	0.64	16				6,007	6,007	3,604				
2023CPT.13.01.20112	Buncombe	57	SR 3470 (BILLY COVE RD)	FROM SR 3449 TO E.O.M. (MP 0.00 - MP 0.8)	2	2	2WU	NO	NO	0.86	18.5				9,567	9,567	5,740				
2023CPT.13.01.20112	Buncombe	58	SR 1270 (OLD STARNES COVE RD)	FROM SR 1403 TO E.O.M. (MP 0.00 - MP 0.39)	1	2	2WU	NO	NO	0.39	17	210	15								
2023CPT.13.01.20112	Buncombe	59	SR 1636 (EMBLER RD)	FROM SR 1634 TO SR 1629 (MP 0.00 - MP 0.62)	2	2	2WU	NO	NO	0.62	19.5				7,093	7,093	4,256				
2023CPT.13.01.20112	Buncombe	60	SR 3445 (SLUDER BRANCH RD)	FROM SR 3437 TO E.O.M. (MP 0.00 - MP 0.20)	1	2	2WU	NO	NO	0.2	17.5	113	8								
2023CPT.13.01.20112	Buncombe	61	SR 1291 (GROOMS RD)	FROM SR 1215 TO E.O.M. (MP 0.00 - MP 0.17)	1	2	2WU	NO	NO	0.17	18	99	7								
2023CPT.13.01.20112	Buncombe	62	SR 1602 (DON FELMET RD)	FROM NC 63 TO SR 1608 (MP 0.00 - MP 1.97)	2	2	2WU	NO	NO	1.97	20				23,932	23,932	14,359				
2023CPT.13.01.20112	Buncombe	63	SR 1604 (PINEY KNOB RD)	FROM SR 1602 TO SR 1607 (MP 0.00 - MP 1.95)	2	2	2WU	NO	NO	1.95	19				22,053	22,053	13,232				
2023CPT.13.01.20112	Buncombe	64	SR 1605 (TEAGUE RD)	FROM SR 1604 TO COUNTY LINE (MP 0.00 - MP 0.96)	2	2	2WU	NO	NO	0.96	19				10,701	10,701	6,421				
<b>TOTAL FOR PROJ NO. 2023CPT.13.01.20112</b>											<b>20.18</b>		<b>1,775</b>	<b>125</b>		<b>196,961</b>	<b>196,961</b>	<b>118,179</b>	<b>23.00</b>	<b>3</b>	<b>5</b>
<b>GRAND TOTAL</b>											<b>40.36</b>		<b>1,775</b>	<b>125</b>	<b>2,861</b>	<b>196,961</b>	<b>196,961</b>	<b>118,179</b>	<b>23</b>	<b>3</b>	<b>5</b>



PROJECT NO. 2023CPT.13.01.20111, 2023CPT.13.01.20112	SHEET NO. 9	TOTAL NO. 14
--	----------------	-----------------

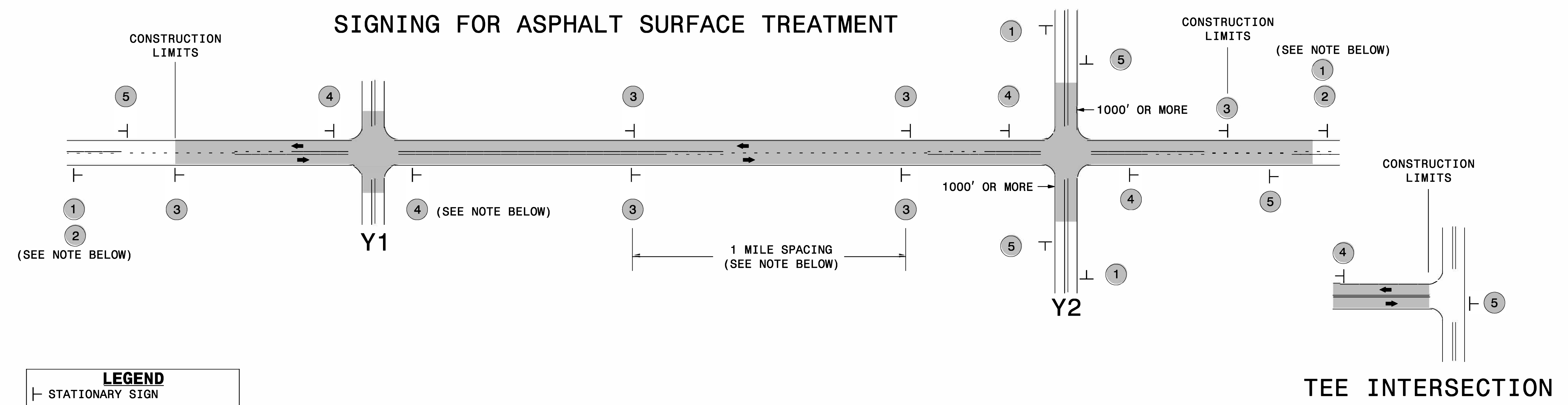
## THERMOPLASTIC AND PAINT QUANTITIES

PROJECT NO	COUNTY	MAP NO	ROUTE	DESCRIPTION	TYP NO	LANES	LANE TYPE	LENGTH	WIDTH	441300000-E	445700000-N	481000000-E	489000000-E	489500000-N		
										WORK ZONE ADVANCE/GENERAL WARNING SIGNING	TEMPORARY TRAFFIC CONTROL	PAINT PAVEMENT MARKING LINES (4") WHITE	PAINT PAVEMENT MARKING LINES (4") YELLOW	THERMOPLASTIC PAVEMENT MARKING LINES (16", 90 MILS) WHITE	THERMOPLASTIC PAVEMENT MARKING LINES (24", 90 MILS) WHITE	THERMOPLASTIC PAVEMENT MARKING CHARACTER (90 MILS) RXR
										SF	LS	LF	LF	LF	LF	EA
2023CPT.13.01.20111	Buncombe	1	SR 3197 (LOWER CHRIST RD)	FROM HENDERSON CO. TO SR 3189 (MP 0.06 - 0.52)	1	2	2WU	0.51	20							
2023CPT.13.01.20111	Buncombe	2	SR 3288 (WALSH TERRACE)	FROM SR 3150 TO CUL-DE-SAC (MP 0.00 - MP 0.18)	1	2	2WU	0.18	20							
2023CPT.13.01.20111	Buncombe	3	SR 3289 (RUSSETT LANE)	FROM SR 3288 TO CUL-DE-SAC (MP 0.00 - MP 0.09)	1	2	2WU	0.13	18							
2023CPT.13.01.20111	Buncombe	4	SR 3653 (LARK HILL DR)	FROM SR 3498 TO CUL-DE-SAC (MP 0.00 - MP 0.44)	1	2	2WU	0.44	20							
2023CPT.13.01.20111	Buncombe	5	SR 3655 (BAINBRIDGE CT)	FROM SR 3653 TO CUL-DE-SAC (MP 0.00 - MP 0.12)	1	2	2WU	0.12	22							
2023CPT.13.01.20111	Buncombe	6	SR 2848 (ASHEVILLE RD)	FROM US-70 TO RAIL ROAD (MP 0.00 - MP 0.29)	1	2	2WU	0.26	16							
2023CPT.13.01.20111	Buncombe	7	SR 3158 (OAK TERRACE)	FROM END C&G TO SR 3161 (MP 0.05 - MP 0.50)	1	2	2WU	0.5	20							
2023CPT.13.01.20111	Buncombe	8	SR 2418 (OLD BEE TREE RD)	FROM SR 2416 TO BEG 16' PVT (MP 0.00 - MP 0.29)	2	2	2WU	0.27	21							
2023CPT.13.01.20111	Buncombe	9	SR 2544 (REED RD)	FROM SR 2002 TO E.O.M. (MP 0.00 - MP 0.20)	2	2	2WU	0.19	18.5							
2023CPT.13.01.20111	Buncombe	10	SR 2575 (COLLEGE VIEW DR)	FROM SR 2416 TO DEAD END (MP 0.00 - MP 0.36)	2	2	2WU	0.36	20							
2023CPT.13.01.20111	Buncombe	11	SR 2708 (SHUMATE RD/BURGIN COVE RD)	FROM BEG. MAINT. TO SR 2702 (MP 0.00 - MP 0.15)	2	2	2WU	0.2	18							
2023CPT.13.01.20111	Buncombe	12	SR 2886 (NEW VALLEY/GRANT MOUNTAIN RD)	FROM SR 2740 TO END PVMNT (MP 0.00 - MP 0.12)	2	2	2WU	0.13	18.5							
2023CPT.13.01.20111	Buncombe	13	SR 3141 (FOX RD/FOX BRANCH RD)	FROM SR 3140 TO E.O.M. (MP 0.00 - MP 0.51)	2	2	2WU	0.44	18							
2023CPT.13.01.20111	Buncombe	14	SR 3149 (OLD CONCORD RD)	FROM SR 3150 TO E.O.M. (MP 0.00 - MP 0.15)	2	2	2WU	0.14	18							
2023CPT.13.01.20111	Buncombe	15	SR 3207 (FRENO DR)	FROM SR 3080 TO E.O.M. (MP 0.00 - MP 0.16)	2	2	2WU	0.16	18							
2023CPT.13.01.20111	Buncombe	16	SR 3308 (LORA LANE)	FROM SE 3052 TO E.O.M. (MP 0.00 - MP 0.19)	2	2	2WU	0.18	21							
2023CPT.13.01.20111	Buncombe	17	SR 3378 (SHARON RIDGE RD.)	FROM SR 3133 TO END PVMNT (MP 0.00 - MP 0.65)	2	2	2WU	0.66	19.5	682	*					
2023CPT.13.01.20111	Buncombe	18	SR 2786 (FLAT CREEK RD/ MORGAN HILL RD)	FROM SR 2776 TO PVMNT CHG (MP 0.15 - MP 3.56)	2	2	2WU	3.56	19.5							
2023CPT.13.01.20111	Buncombe	19	SR 1732 (AYERS RD)	FROM SR 1730 TO DEAD END (MP 0.00 - MP 0.30)	2	2	2WU	0.3	19							
2023CPT.13.01.20111	Buncombe	20	SR 1881 (PINE KNOLL DR)	FROM SR 1651 TO DEAD END (MP 0.00 - MP 0.16)	2	2	2WU	0.16	18.5							
2023CPT.13.01.20111	Buncombe	21	SR 3129 (GAP CREEK RD)	FROM SR 3136 TO SR 3128 (MP 0.00 - MP 1.77)	2	2	2WU	1.77	20							
2023CPT.13.01.20111	Buncombe	22	SR 1381 (RABBIT HAM RD)	FROM SR 1378 TO SR 1383 (MP 0.00 - MP 1.41)	2	2	2WU	1.41	18.5							
2023CPT.13.01.20111	Buncombe	23	SR 2807 (MARLOWE RD)	FROM 2806 TO E.O.M. (MP 0.00 - MP 0.35)	2	2	2WU	0.35	20							
2023CPT.13.01.20111	Buncombe	24	SR 2808 (LEE DOTSON RD)	FROM SR 2806 TO E.O.M. (MP 0.00 - MP 0.64)	2	2	2WU	0.64	16							
2023CPT.13.01.20111	Buncombe	25	SR 3470 (BILLY COVE RD)	FROM SR 3449 TO E.O.M. (MP 0.00 - MP 0.86)	2	2	2WU	0.86	18.5							
2023CPT.13.01.20111	Buncombe	26	SR 1270 (OLD STARNES COVE RD)	FROM SR 1403 TO E.O.M. (MP 0.00 - MP 0.39)	1	2	2WU	0.39	17							
2023CPT.13.01.20111	Buncombe	27	SR 1636 (EMBLER RD)	FROM SR 1634 TO SR 1629 (MP 0.00 - MP 0.62)	2	2	2WU	0.62	19.5							
2023CPT.13.01.20111	Buncombe	28	SR 3445 (SLUDER BRANCH RD)	FROM SR 3437 TO E.O.M. (MP 0.00 - MP 0.20)	1	2	2WU	0.2	17.5							
2023CPT.13.01.20111	Buncombe	29	SR 1291 (GROOMS RD)	FROM SR 1215 TO E.O.M. (MP 0.00 - MP 0.17)	1	2	2WU	0.17	18							
2023CPT.13.01.20111	Buncombe	30	SR 1602 (DON FELMET RD)	FROM NC 63 TO SR 1608 (MP 0.00 - MP 1.97)	2	2	2WU	1.97	20							
2023CPT.13.01.20111	Buncombe	31	SR 1604 (PINEY KNOB RD)	FROM SR 1602 TO SR 1607 (MP 0.00 - MP 1.95)	2	2	2WU	1.95	19							
2023CPT.13.01.20111	Buncombe	32	SR 1605 (TEAGUE RD)	FROM SR 1604 TO COUNTY LINE (MP 0.00 - MP 0.96)	2	2	2WU	0.96	19							
<b>TOTAL FOR PROJ NO. 2023CPT.13.01.20111</b>										<b>682</b>	<b>*</b>					

PROJECT NO.	SHEET NO.	TOTAL NO.
2023CPT.13.01.20111, 2023CPT.13.01.20112	10	14

**THERMOPLASTIC AND PAINT QUANTITIES**

PROJECT NO	COUNTY	MAP NO	ROUTE	DESCRIPTION	TYP NO	LANES	LANE TYPE	LENGTH	WIDTH	4413000000-E WORK ZONE ADVANCE/GENERAL WARNING SIGNING	4457000000-N TEMPORARY TRAFFIC CONTROL	4810000000-E		4890000000-E	4890000000-E	4895000000-N				
								MI	FT			SF	LS	PAINT PAVEMENT MARKING LINES (4") WHITE	PAINT PAVEMENT MARKING LINES (4") YELLOW	THERMOPLASTIC PAVEMENT MARKING LINES (16", 90 MILS) WHITE	THERMOPLASTIC PAVEMENT MARKING LINES (24", 90 MILS) WHITE	THERMOPLASTIC PAVEMENT MARKING CHARACTER (90 MILS) RXR EA		
2023CPT.13.01.20112	Buncombe	33	SR 3197 (LOWER CHRIST RD)	FROM HENDERSON CO. TO SR 3189 (MP 0.06 - 0.52)	1	2	2WU	0.51	20	1,589	*	5,300	5,290							
2023CPT.13.01.20112	Buncombe	34	SR 3288 (WALSH TERRACE)	FROM SR 3150 TO CUL-DE-SAC (MP 0.00 - MP 0.18)	1	2	2WU	0.18	20											
2023CPT.13.01.20112	Buncombe	35	SR 3289 (RUSSETT LANE)	FROM SR 3288 TO CUL-DE-SAC (MP 0.00 - MP 0.09)	1	2	2WU	0.13	18											
2023CPT.13.01.20112	Buncombe	36	SR 3653 (LARK HILL DR)	FROM SR 3498 TO CUL-DE-SAC (MP 0.00 - MP 0.44)	1	2	2WU	0.44	20											
2023CPT.13.01.20112	Buncombe	37	SR 3655 (BAINBRIDGE CT)	FROM SR 3653 TO CUL-DE-SAC (MP 0.00 - MP 0.12)	1	2	2WU	0.12	22											
2023CPT.13.01.20112	Buncombe	38	SR 2848 (ASHEVILLE RD)	FROM US-70 TO RAIL ROAD (MP 0.00 - MP 0.29)	1	2	2WU	0.26	16											
2023CPT.13.01.20112	Buncombe	39	SR 3158 (OAK TERRACE)	FROM END C&G TO SR 3161 (MP 0.05 - MP 0.50)	1	2	2WU	0.5	20					2,410	2,340					
2023CPT.13.01.20112	Buncombe	40	SR 2418 (OLD BEE TREE RD)	FROM SR 2416 TO BEG 16' PVT (MP 0.00 - MP 0.29)	2	2	2WU	0.27	21											
2023CPT.13.01.20112	Buncombe	41	SR 2544 (REED RD)	FROM SR 2002 TO E.O.M. (MP 0.00 - MP 0.20)	2	2	2WU	0.19	18.5											
2023CPT.13.01.20112	Buncombe	42	SR 2575 (COLLEGE VIEW DR)	FROM SR 2416 TO DEAD END (MP 0.00 - MP 0.36)	2	2	2WU	0.36	20											
2023CPT.13.01.20112	Buncombe	43	SR 2708 (SHUMATE RD/BURGIN COVE RD)	FROM BEG. MAINT. TO SR 2702 (MP 0.00 - MP 0.15)	2	2	2WU	0.2	18					595	600	80	18	4		
2023CPT.13.01.20112	Buncombe	44	SR 2886 (NEW VALLEY/GRANT MOUNTAIN RD)	FROM SR 2740 TO END PVMNT (MP 0.00 - MP 0.12)	2	2	2WU	0.13	18.5											
2023CPT.13.01.20112	Buncombe	45	SR 3141 (FOX RD/FOX BRANCH RD)	FROM SR 3140 TO E.O.M. (MP 0.00 - MP 0.51)	2	2	2WU	0.44	18											
2023CPT.13.01.20112	Buncombe	46	SR 3149 (OLD CONCORD RD)	FROM SR 3150 TO E.O.M. (MP 0.00 - MP 0.15)	2	2	2WU	0.14	18											
2023CPT.13.01.20112	Buncombe	47	SR 3207 (FRENO DR)	FROM SR 3080 TO E.O.M. (MP 0.00 - MP 0.16)	2	2	2WU	0.16	18											
2023CPT.13.01.20112	Buncombe	48	SR 3308 (LORA LANE)	FROM SE 3052 TO E.O.M. (MP 0.00 - MP 0.19)	2	2	2WU	0.18	21											
2023CPT.13.01.20112	Buncombe	49	SR 3378 (SHARON RIDGE RD)	FROM SR 3133 TO END PVMNT (MP 0.00 - MP 0.65)	2	2	2WU	0.66	19.5											
2023CPT.13.01.20112	Buncombe	50	SR 2786 (FLAT CREEK RD/ MORGAN HILL RD)	FROM SR 2776 TO PVMT CHG (MP 0.15 - MP 3.56)	2	2	2WU	3.56	19.5					75,388	74,776					
2023CPT.13.01.20112	Buncombe	51	SR 1732 (AYERS RD)	FROM SR 1730 TO DEAD END (MP 0.00 - MP 0.30)	2	2	2WU	0.3	19											
2023CPT.13.01.20112	Buncombe	52	SR 1881 (PINE KNOLL DR)	FROM SR 1651 TO DEAD END (MP 0.00 - MP 0.16)	2	2	2WU	0.16	18.5											
2023CPT.13.01.20112	Buncombe	53	SR 3129 (GAP CREEK RD)	FROM SR 3136 TO SR 3128 (MP 0.00 - MP 1.77)	2	2	2WU	1.77	20					37,832	37,080					
2023CPT.13.01.20112	Buncombe	54	SR 1381 (RABBIT HAM RD)	FROM SR 1378 TO SR 1383 (MP 0.00 - MP 1.41)	2	2	2WU	1.41	18.5					30,523	29,900					
2023CPT.13.01.20112	Buncombe	55	SR 2807 (MARLOWE RD)	FROM SR 2806 TO E.O.M. (MP 0.00 - MP 0.35)	2	2	2WU	0.35	20											
2023CPT.13.01.20112	Buncombe	56	SR 2808 (LEE DOTSON RD)	FROM SR 2806 TO E.O.M. (MP 0.00 - MP 0.64)	2	2	2WU	0.64	16											
2023CPT.13.01.20112	Buncombe	57	SR 3470 (BILLY COVE RD)	FROM SR 3449 TO E.O.M. (MP 0.00 - MP 0.8)	2	2	2WU	0.86	18.5					18,483	18,163					
2023CPT.13.01.20112	Buncombe	58	SR 1270 (OLD STARNES COVE RD)	FROM SR 1403 TO E.O.M. (MP 0.00 - MP 0.39)	1	2	2WU	0.39	17											
2023CPT.13.01.20112	Buncombe	59	SR 1636 (EMBLER RD)	FROM SR 1634 TO SR 1629 (MP 0.00 - MP 0.62)	2	2	2WU	0.62	19.5					13,096	13,096					
2023CPT.13.01.20112	Buncombe	60	SR 3445 (SIUDER BRANCH RD)	FROM SR 3437 TO E.O.M. (MP 0.00 - MP 0.20)	1	2	2WU	0.2	17.5											
2023CPT.13.01.20112	Buncombe	61	SR 1291 (GROOMS RD)	FROM SR 1215 TO E.O.M. (MP 0.00 - MP 0.17)	1	2	2WU	0.17	18											
2023CPT.13.01.20112	Buncombe	62	SR 1602 (DON FELMET RD)	FROM NC 63 TO SR 1608 (MP 0.00 - MP 1.97)	2	2	2WU	1.97	20					41,608	41,608					
2023CPT.13.01.20112	Buncombe	63	SR 1604 (PINEY KNOB RD)	FROM SR 1602 TO SR 1607 (MP 0.00 - MP 1.95)	2	2	2WU	1.95	19					40,972	40,972					
2023CPT.13.01.20112	Buncombe	64	SR 1605 (TEAGUE RD)	FROM SR 1604 TO COUNTY LINE (MP 0.00 - MP 0.96)	2	2	2WU	0.96	19					20,276	20,276					
<b>TOTAL FOR PROJ NO. 2023CPT.13.01.20112</b>									<b>20.18</b>				<b>1,589</b>	<b>*</b>	<b>286,483</b>	<b>284,101</b>	<b>80</b>	<b>18</b>	<b>4</b>	
<b>GRAND TOTAL</b>									<b>40.36</b>				<b>2,271</b>	<b>1</b>	<b>286,483</b>	<b>284,101</b>	<b>80</b>	<b>18</b>	<b>4</b>	
												<b>570,584</b>								
												<b>570,584</b>								



### MAINLINE (-L-) SIGNING

### -Y- LINE SIGNING

<b>SIGNING NOTES AND PLACEMENT PER DIRECTION</b>	1	 <small>W20-1 48" X 48"</small>	PLACE 1000' PRIOR TO BEGINNING OF CONSTRUCTION LIMITS. ONLY USED ON -Y- LINES IF RESURFACING LIMITS EXTEND 1000' ALONG -Y- LINE.	
	2	 <small>W7-3aP 24" X 18"</small>	#2 SIGN ONLY USED WHEN RESURFACING LIMITS ARE 2 OR MORE MILES IN LENGTH. ROUND UP TO NEXT WHOLE NUMBER. (NO FRACTIONAL OR DECIMAL NUMBERS)	
	3	 <small>W8-7 48" X 48"</small>	- ALTERNATE THE FOLLOWING TWO SIGNS: - STARTING WITH "LOOSE GRAVEL" (W8-7) FOLLOWED BY "UNMARKED PAVEMENT". - PLACE INITIALLY AT THE CONSTRUCTION LIMITS AND SPACED 1 MILE APART THEREAFTER.	
		 <small>SP 48" X 48"</small>	- AT TEE INTERSECTIONS INSTALL INITIALLY 0.5 MILE FROM INTERSECTION AND SPACE 1 MILE APART THEREAFTER.	
	4	 <small>SP 13106 48" X 48"</small>	- THESE ARE FOR -Y- LINES THAT ARE "THROUGH" ROADWAYS. - DEAD END AND SUBDIVISION ROADS ARE NOT "THROUGH" ROADWAYS. - INSTALL 500' +/- FROM EACH -Y- LINE APPROACH AS SHOWN ABOVE. - FOR MULTIPLE -Y- LINES THAT ARE SEPARATED BY 0.25 MILES OR LESS, TREAT AS A SINGLE UNIT AND INSTALL WITHIN 500' OF EACH APPROACH. - A MAXIMUM OF 2 SIGN SETS PER MILE. DO NOT INSTALL WHEN -Y- LINES ARE WITHIN 0.5 MILES FROM "END ROAD WORK" SIGN. - FOR TEE INTERSECTIONS, INSTALL WITHIN 500' +/- OF THE INTERSECTION ALONG -L- LINE.	
5	 <small>G20-2 A 48" X 24"</small>	PLACE 500' FOLLOWING THE END OF CONSTRUCTION LIMITS OR AS SHOWN WHEN WORK ENDS AT A 3-WAY TEE INTERSECTION.		

**NO REQUIRED STATIONARY SIGNING FOR THE FOLLOWING -Y- LINE CONDITIONS:**

- 1) LESS THAN 1000' OF RESURFACING ALONG -Y- LINE
- 2) SUBDIVISION ROADS
- 3) DEAD END ROADS

WHEN PAVING/CONSTRUCTION ACTIVITIES PROCEED ACROSS AN UNSIGNED -Y- LINE, ADVANCE WARNING PORTABLE SIGNS SHALL BE USED ALONG THE -Y- LINE AS SHOWN BELOW. REMOVE UPON COMPLETION OF WORK.



PLACED 500' IN ADVANCE OF FLAGGER. PLACED 250' IN ADVANCE OF FLAGGER.

**ADVANCE WARNING SIGNS  
FOR  
ASPHALT SURFACE TREATMENTS  
2 LANE ROADWAYS**

SIGN NUMBER: 11299

BACKG COLOR: Fluorescent Orange

DESIGN BY: WJ

CHECKED BY:

DATE: Jun 22, 2011

TYPE: B

COPY COLOR: Black

PROJECT ID: ALL

DIV: ALL

QUANTITY: SEE PLANS

SYMBOL	X	Y	WID	HT

SIGN WIDTH: 5'-6"

HEIGHT: 5'-6"

**SP 11299**

PROJECT NO.	SHEET NO.	TOTAL NO.
2023CPT.13.01.20111, 2023CPT.13.01.20112	12	14

TOTAL AREA: 30.5 Sq.Ft.

BORDER TYPE: INSET

RECESS: 0.59"

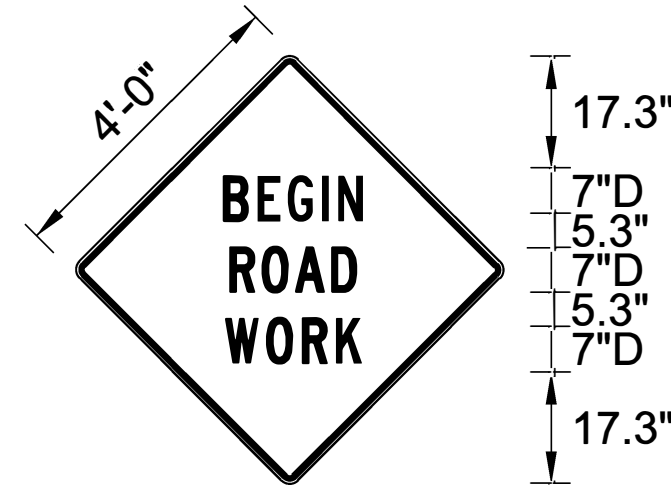
WIDTH: 0.75"

RADII: 1.38"

NO. Z BARS: N/A

LENGTH: N/A

MAT'L: 0.125" (3.2 mm) ALUMINUM



BORDER  
R=1.38"  
TH=0.75"  
IN=0.59"

Spacing Factor is 1 unless specified otherwise

USE NOTES: 1,2

1. Legend and border shall be direct applied black non-reflective sheeting.
2. Background shall be Type VII, VIII, or IX (prismatic) fluorescent orange retroreflective sheeting.

LETTER POSITIONS

Letter spacings are to start of next letter																						Series/Size Text Length
	B	E	G	I	N																	D 2000 25.2
20.5	6	5.4	6.3	2.8	4.8	20.5																
	R	O	A	D																		D 2000 23.5
21.4	5.8	5.9	7	4.8	21.4																	
	W	O	R	K																		D 2000 24.5
20.9	7.1	6.5	5.9	4.9	20.9																	

SIGN NUMBER: SP13106  
 TYPE: STATIONARY  
 QUANTITY: SEE PLANS

BACKG COLOR: Fluorescent Orange  
 COPY COLOR: Black

DESIGN BY: B. RASHID  
 PROJECT ID:

CHECKED BY: AIA  
 DIV:

DATE: Apr 26, 2013

SYMBOL	X	Y	WID	HT

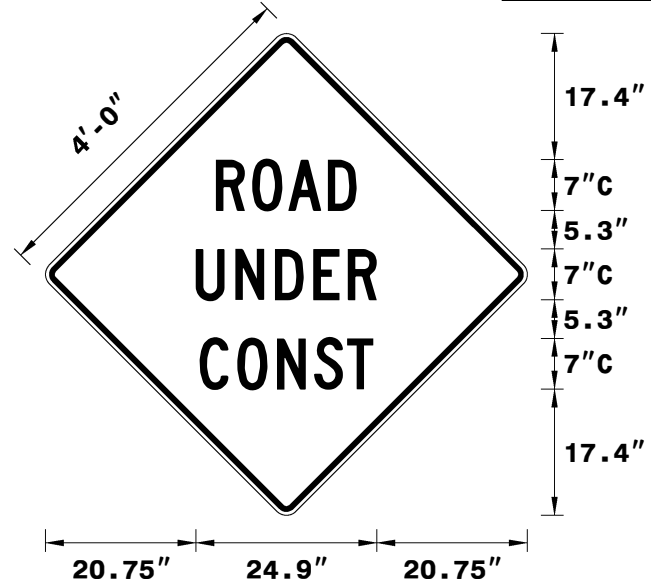
SIGN WIDTH: 4'-0"  
 HEIGHT: 4'-0"  
 TOTAL AREA: 16.00 Sq.Ft.

BORDER TYPE: INSET  
 RECESS: 0.75"  
 WIDTH: 1.25"  
 RADII: 3"

NO. Z BARS:  
 LENGTH:

MAT'L: 0.080" (2.0 mm) ALUMINUM

PROJECT NO.	SHEET NO.	TOTAL NO.
2023CPT.13.01.20111, 2023CPT.13.01.20112	13	14



Spacing Factor is 1 unless specified otherwise

USE NOTES: 1,2

- Legend and border shall be direct applied black non-reflective sheeting.
- Background shall be NC GRADE B fluorescent orange retroreflective sheeting.

LETTER POSITIONS

Letter spacings are to start of next letter

Letter spacings are to start of next letter															Series/Size	Text Length		
	R	O	A	D														C 2000
23.5	5	5	5.5	3.9	23.5													19.3
	U	N	D	E	R													C 2000
20.7	5.5	5.5	5.3	4.8	3.9	20.7												24.9
	C	O	N	S	T													C 2000
21.2	5.2	5.5	5.1	4.6	3.6	21.2												23.9

SIGN NUMBER: SP13107  
 TYPE: STATIONARY  
 QUANTITY: SEE PLANS

BACKG COLOR: Fluorescent Orange  
 COPY COLOR: Black

DESIGN BY: B. RASHID  
 PROJECT ID:

CHECKED BY: AIA  
 DIV:

DATE: Apr 26, 2013

SYMBOL	X	Y	WID	HT

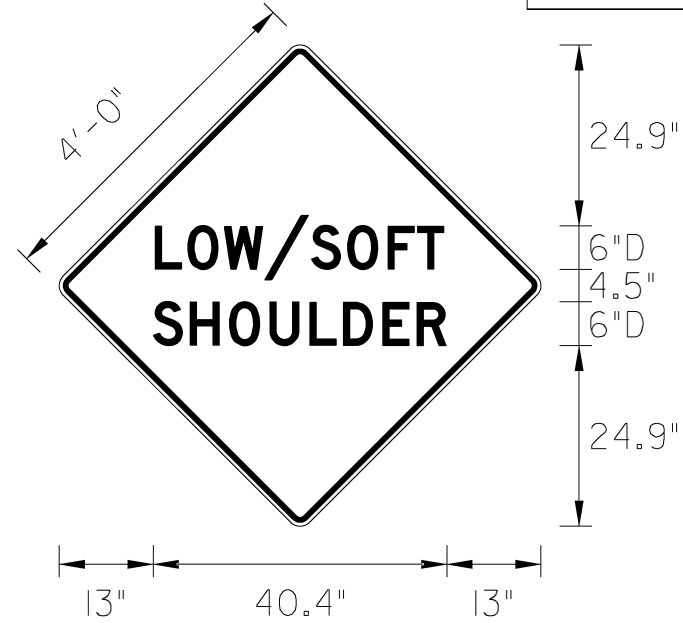
SIGN WIDTH: 4'-0"  
 HEIGHT: 4'-0"  
 TOTAL AREA: 16.00 Sq.Ft.

BORDER TYPE: INSET  
 RECESS: 0.75"  
 WIDTH: 1.25"  
 RADII: 3"

MAT'L: 0.080" (2.0 mm) ALUMINUM

NO. Z BARS:  
 LENGTH:

PROJECT NO.	SHEET NO.	TOTAL NO.
2023CPT.13.01.20111, 2023CPT.13.01.20112	14	14



Spacing Factor is 1 unless specified otherwise

USE NOTES: 1,2

- Legend and border shall be direct applied black non-reflective sheeting.
- Background shall be NC GRADE B fluorescent orange retroreflective sheeting.

LETTER POSITIONS

Letter spacings are to start of next letter											Series/Size
											Text Length
	L	O	W	/	S	O	F	T			D 2000
13.2	4.5	5	5.5	6.5	5	5.6	4.1	3.7	13.2		39.9
	S	H	O	U	L	D	E	R			D 2000
13	5.1	5.4	5.6	5.5	4.6	5.4	4.7	4.1	13		40.4