

WBS: 51215.01AH

CONTRACT: DM00396

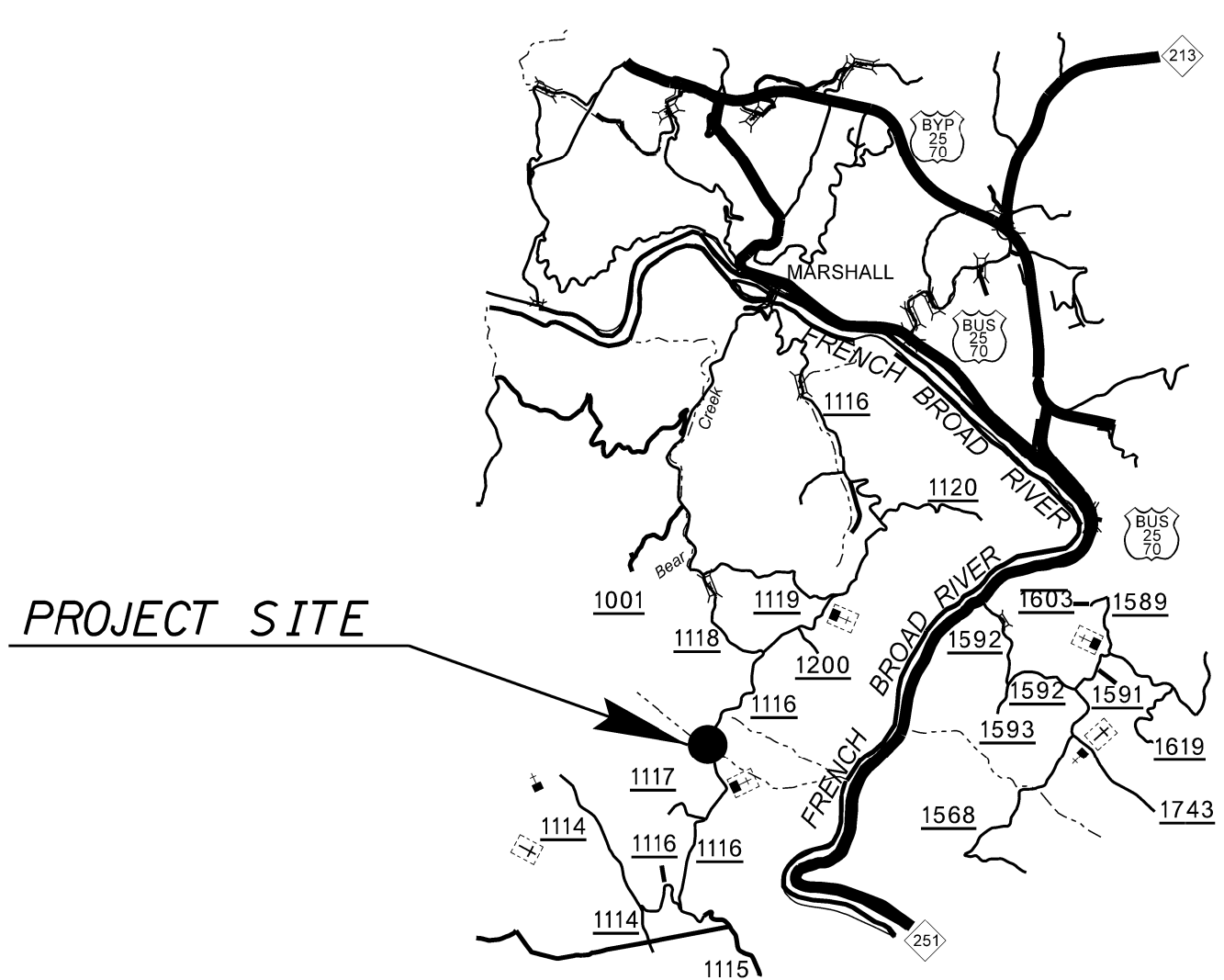
STATE OF NORTH CAROLINA
DIVISION OF HIGHWAYS

MADISON COUNTY

LOCATION: SR-1116 (RECTOR CORNER RD)

TYPE OF WORK: TRENCHLESS PIPE INSTALLATION

STATE	STATE PROJECT REFERENCE NO.	SHEET NO.	TOTAL SHEETS
N.C.	51215.01AH	1	
STATE PROJ. NO.	F.A. PROJ. NO.	DESCRIPTION	
51215.01AH		CONST	



GRAPHIC SCALE



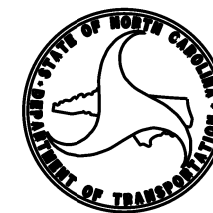
Prepared in the Office of:
DIVISION OF HIGHWAYS
55 Orange St., Asheville NC, 28801

2018 STANDARD SPECIFICATIONS

LETTING DATE:
APRIL 5, 2023

PROJECT ENGINEER

PROJECT DESIGN ENGINEER

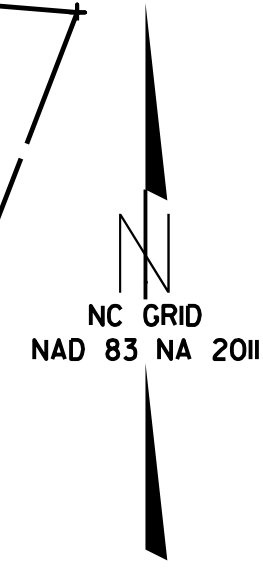


PROJECT REFERENCE NO.	SHEET NO.
51215.01AH	2
RW SHEET NO.	
ROADWAY DESIGN ENGINEER	HYDRAULICS ENGINEER

8/17/99

REVISIONS

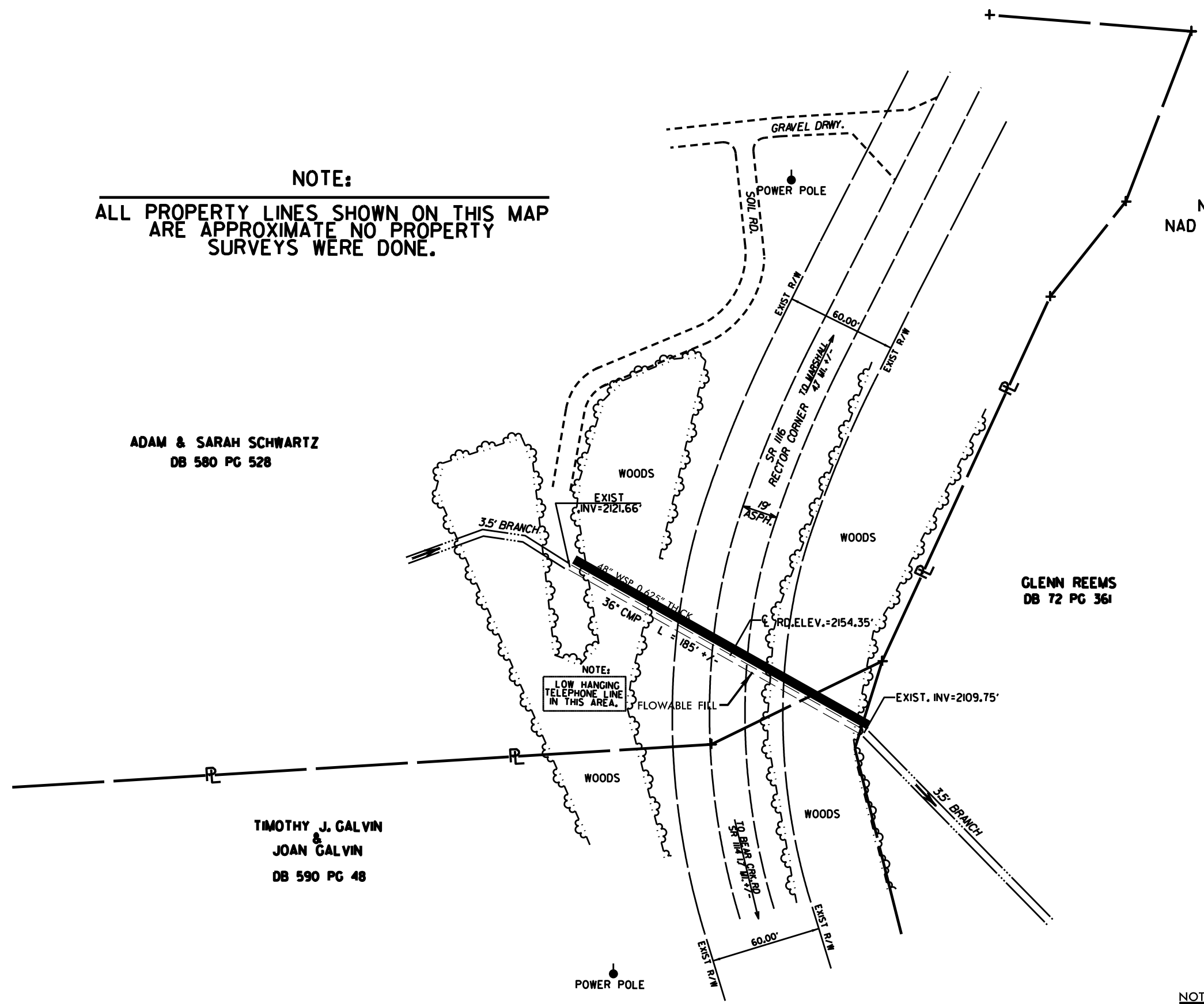
NOTE:
 ALL PROPERTY LINES SHOWN ON THIS MAP
 ARE APPROXIMATE NO PROPERTY
 SURVEYS WERE DONE.



ADAM & SARAH SCHWARTZ
 DB 580 PG 528

GLENN REEMS
 DB 72 PG 361

TIMOTHY J. GALVIN
 &
 JOAN GALVIN
 DB 590 PG 48



NOTE:
 LOW HANGING
 TELEPHONE LINE
 IN THIS AREA.

NOTE:
 MATCH EXISTING INVERTS FOR PROPOSED
 48" WSP

09/08/99

WBS: 51214.01AT

CONTRACT: DM00396

STATE OF NORTH CAROLINA
DIVISION OF HIGHWAYS

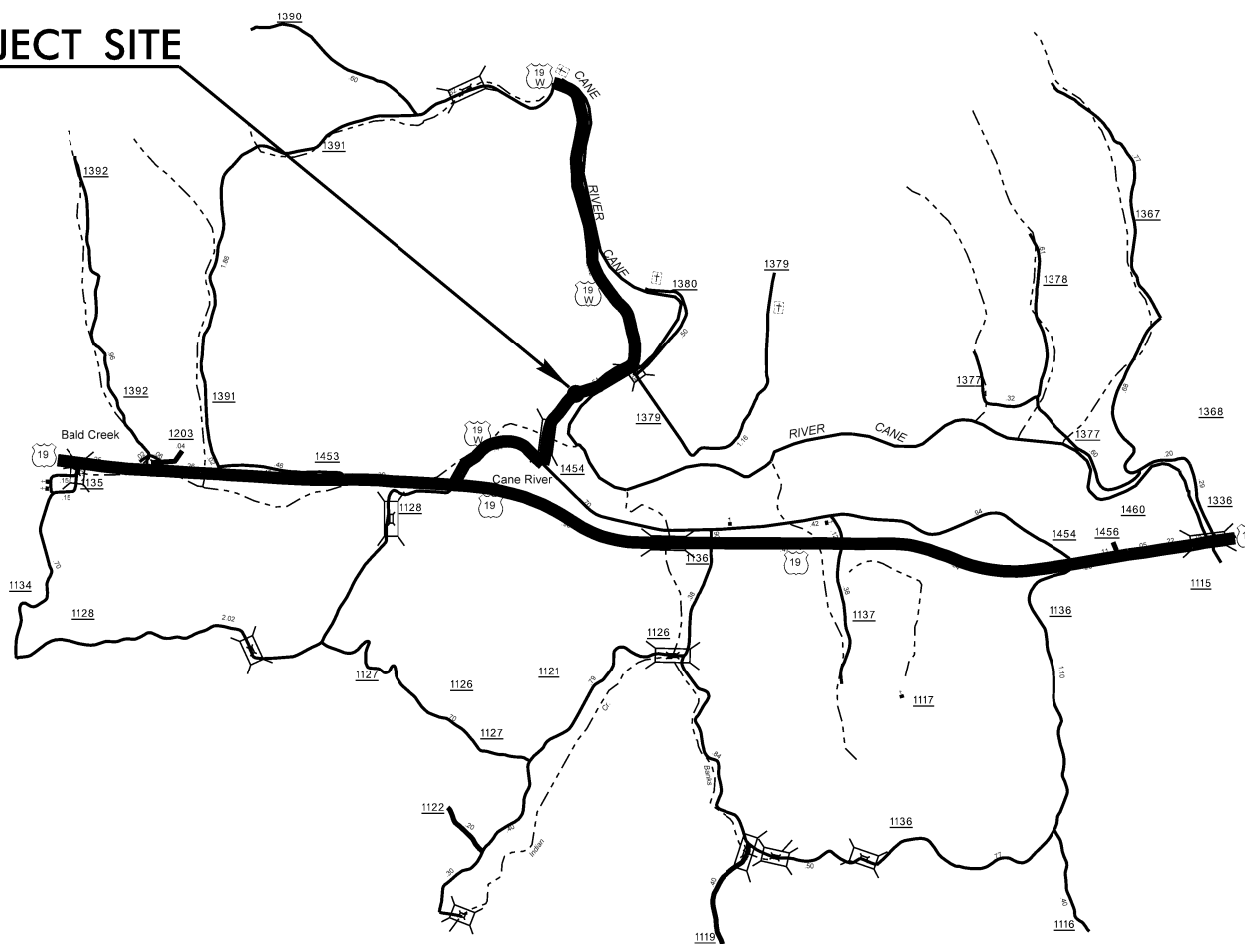
YANCEY COUNTY

LOCATION: US-19W

TYPE OF WORK: TRENCHLESS PIPE INSTALLATION

STATE	STATE PROJECT REFERENCE NO.	SHEET NO.	TOTAL SHEETS
N.C.	51214.01AT	3	
STATE PROJ. NO.	F.A. PROJ. NO.	DESCRIPTION	
51214.01AT		CONST	

PROJECT SITE



GRAPHIC SCALE



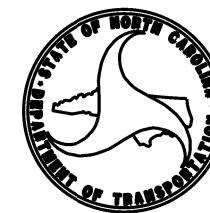
Prepared in the Office of:
DIVISION OF HIGHWAYS
55 Orange St., Asheville NC, 28801

2018 STANDARD SPECIFICATIONS

LETTING DATE:
APRIL 5, 2023

PROJECT ENGINEER

PROJECT DESIGN ENGINEER

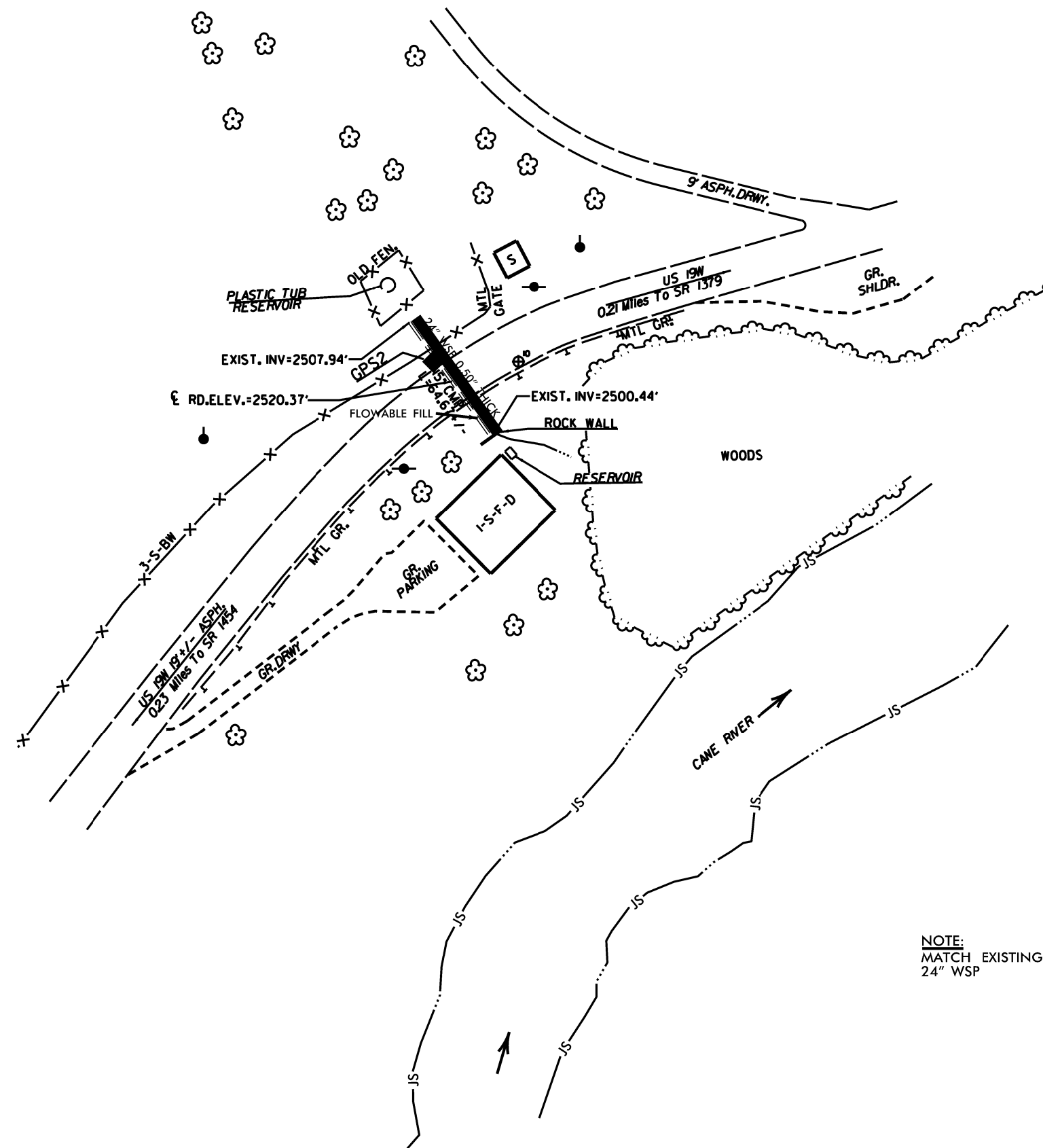


PROJECT REFERENCE NO. 51214.01A	SHEET NO. 4
RW SHEET NO.	
ROADWAY DESIGN ENGINEER	HYDRAULICS ENGINEER

8/17/99



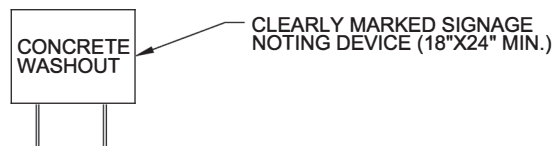
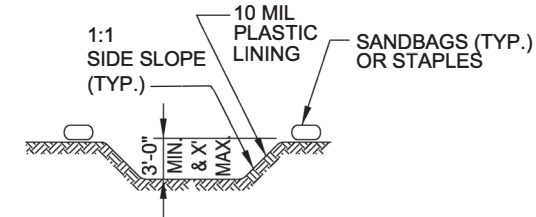
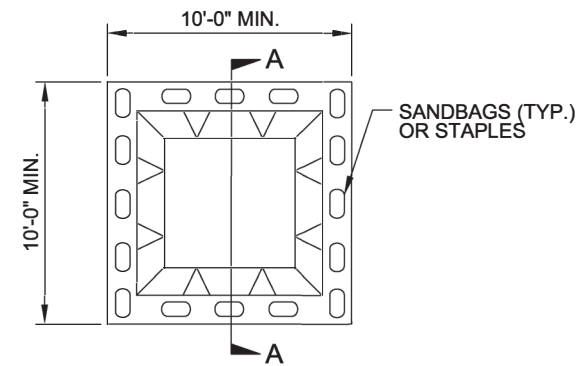
REVISIONS



NOTE:
MATCH EXISTING INVERTS FOR PROPOSED
24" WSP

PROJECT REFERENCE NO.	SHEET NO.
DM00396	
RW SHEET NO.	
ROADWAY DESIGN ENGINEER	HYDRAULICS ENGINEER

ONSITE CONCRETE WASHOUT STRUCTURE WITH LINER



SECTION A-A

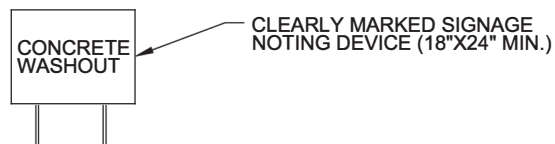
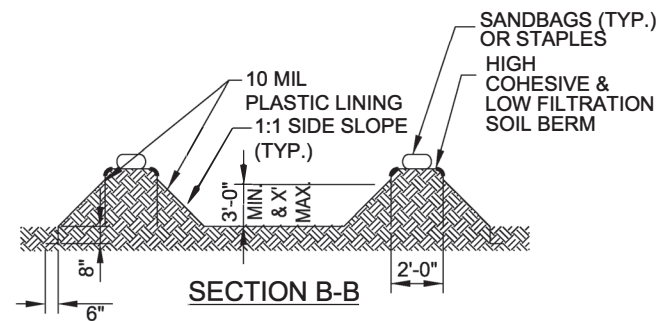
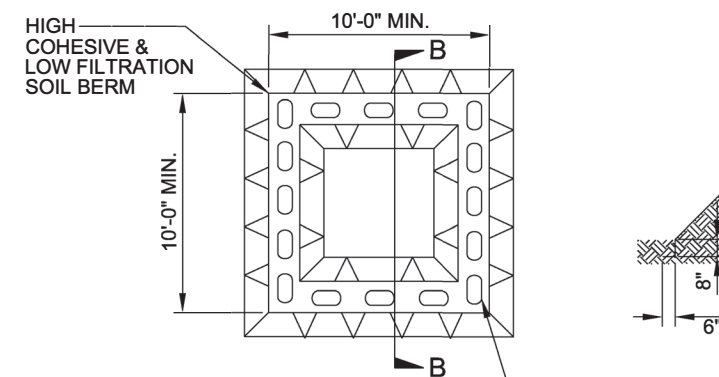
NOTES:

1. ACTUAL LOCATION DETERMINED IN FIELD
2. THE CONCRETE WASHOUT STRUCTURES SHALL BE MAINTAINED WHEN THE LIQUID AND/OR SOLID REACHES 75% OF THE STRUCTURES CAPACITY.
3. CONCRETE WASHOUT STRUCTURE NEEDS TO BE CLEARLY MARKED WITH SIGNAGE NOTING DEVICE.

PLAN

BELOW GRADE WASHOUT STRUCTURE

NOT TO SCALE



NOTES:

1. ACTUAL LOCATION DETERMINED IN FIELD
2. THE CONCRETE WASHOUT STRUCTURES SHALL BE MAINTAINED WHEN THE LIQUID AND/OR SOLID REACHES 75% OF THE STRUCTURES CAPACITY TO PROVIDE ADEQUATE HOLDING CAPACITY WITH A MINIMUM 12 INCHES OF FREEBOARD.
3. CONCRETE WASHOUT STRUCTURE NEEDS TO BE CLEARLY MARKED WITH SIGNAGE NOTING DEVICE.

PLAN

ABOVE GRADE WASHOUT STRUCTURE

NOT TO SCALE