

STATE OF NORTH CAROLINA  
DIVISION OF HIGHWAYS

**BUNCOMBE COUNTY**

LOCATION: SR-3116 (MILLS GAP RD) FROM 0.44 MILES EAST OF US-25A  
TO 0.11 MILES SOUTH OF SR-3365 (BROMPTON RD)

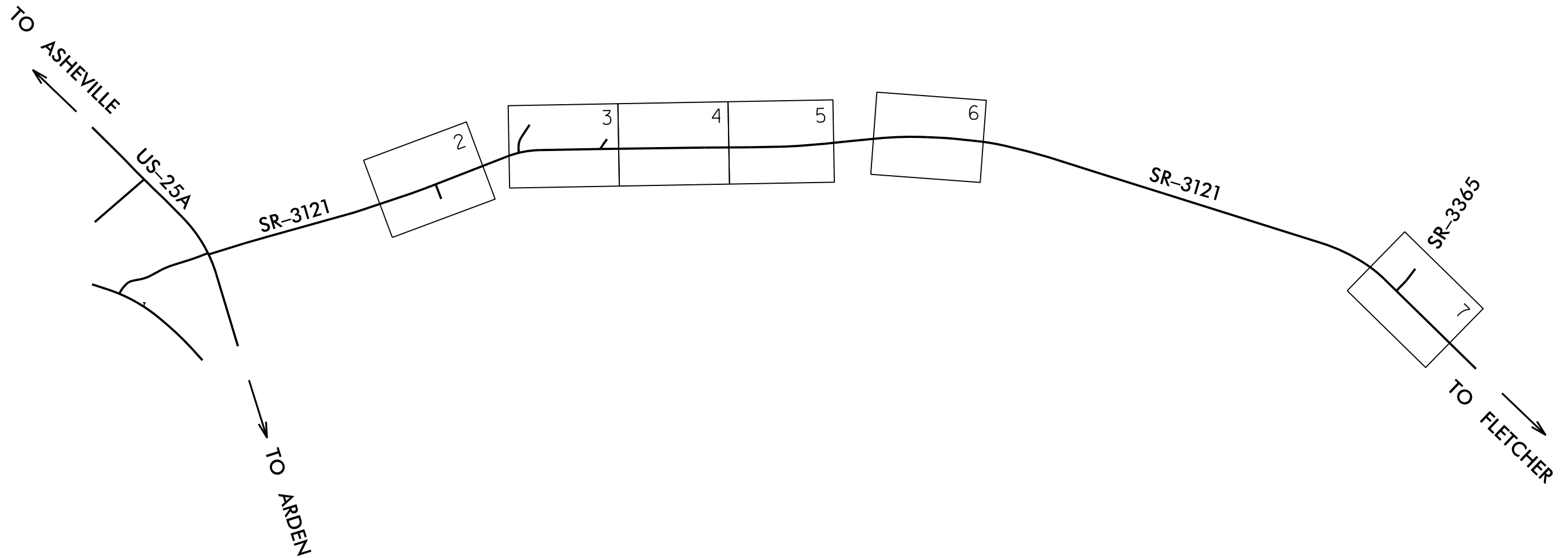
TYPE OF WORK: GUARDRAIL INSTALLATION

STATE	STATE PROJECT REFERENCE NO.	SHEET NO.	TOTAL SHEETS
N.C.	W-5713P	1	7
STATE PROJ. NO.	F.A. PROJ. NO.	DESCRIPTION	
44861.1.16	HSIP-3116(002)	PE	
44861.3.16	HSIP-3116(002)	CONST.	



TIP PROJECT: W-5713P

CONTRACT: DM00262



Prepared in the Office of:  
**NCDOT DIVISION 13**  
55 Orange St., Asheville NC, 28801

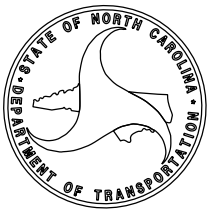
2018 STANDARD SPECIFICATIONS

RIGHT OF WAY DATE:

PROJECT ENGINEER

LETTING DATE:  
NOVEMBER 21, 2018

PROJECT DESIGN ENGINEER

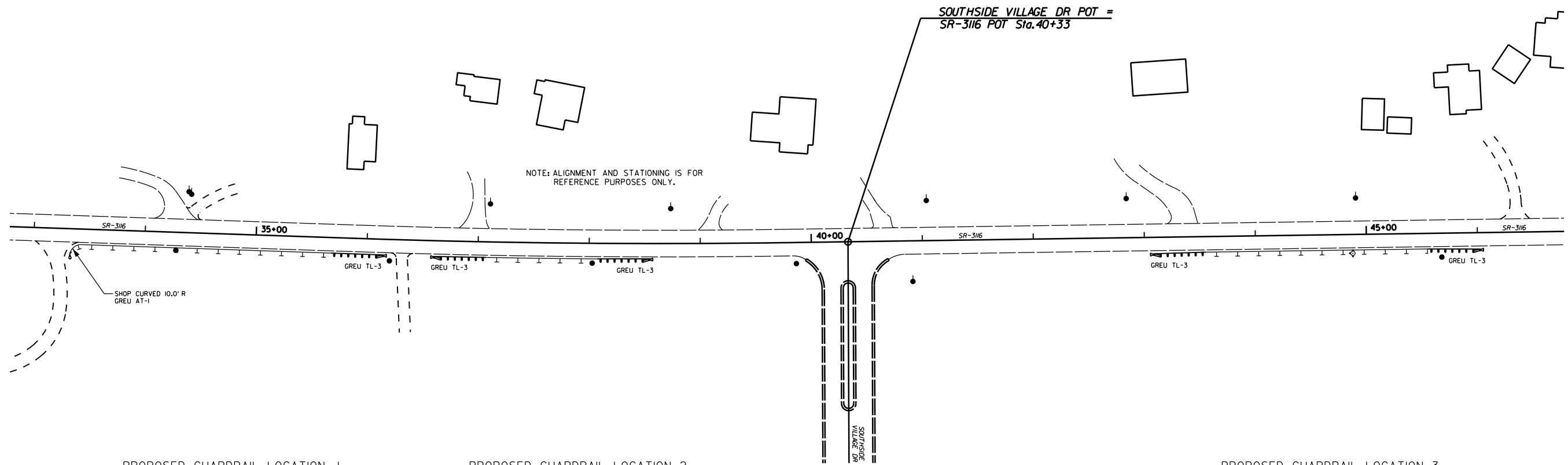


8/17/99

REVISIONS

DM00262

03.10.2018



PROPOSED GUARDRAIL LOCATION 1

- 225 LF STEEL BEAM GUARDRAIL
- 12.5 LF STEEL BEAM GUARDRAIL, SHOP CURVED
- 1 EA GUARDRAIL END UNITS, TYPE TL-3
- 1 EA GUARDRAIL END UNITS, TYPE TL-3

PROPOSED GUARDRAIL LOCATION 2

- 100 LF STEEL BEAM GUARDRAIL
- 2 EA GUARDRAIL END UNITS, TYPE TL-3

PROPOSED GUARDRAIL LOCATION 3

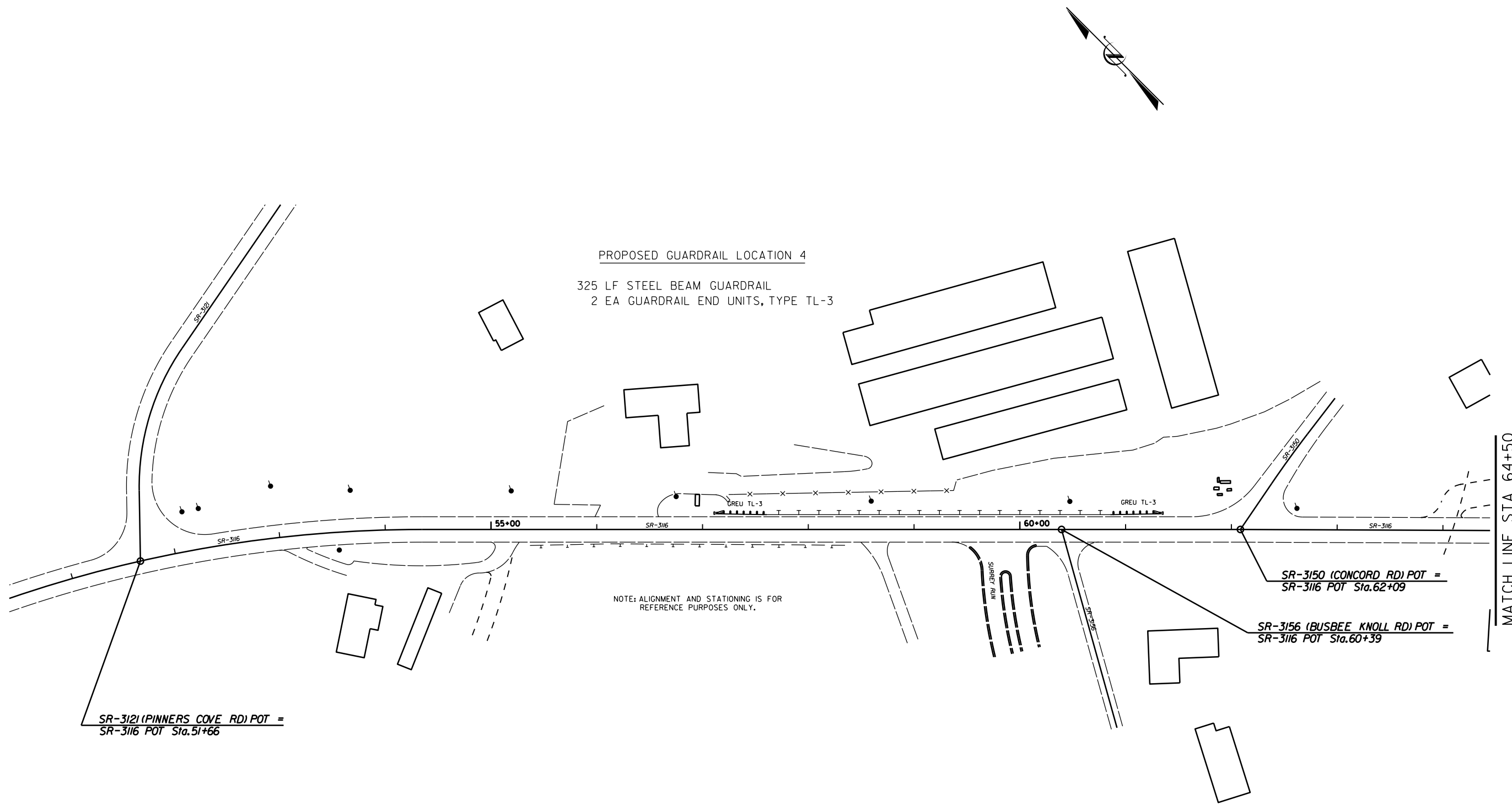
- 225 LF STEEL BEAM GUARDRAIL
- 1 EA 25' CLEAR SPAN GUARDRAIL SECTIONS
- 2 EA GUARDRAIL END UNITS, TYPE TL-3

8/17/99

REVISIONS

DM00262

DL 10/25/08



PROPOSED GUARDRAIL LOCATION 4  
 325 LF STEEL BEAM GUARDRAIL  
 2 EA GUARDRAIL END UNITS, TYPE TL-3

NOTE: ALIGNMENT AND STATIONING IS FOR REFERENCE PURPOSES ONLY.

SR-3121 (PINNERS COVE RD) POT =  
 SR-3116 POT Sta. 51+66

SR-3150 (CONCORD RD) POT =  
 SR-3116 POT Sta. 62+09

SR-3156 (BUSBEE KNOLL RD) POT =  
 SR-3116 POT Sta. 60+39

MATCH LINE STA 64+50

8/17/99

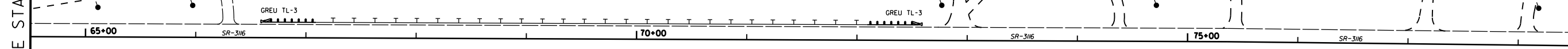
REVISIONS

DM00262

01.10.2018

MATCH LINE STA 64+50

MATCH LINE STA 78+50



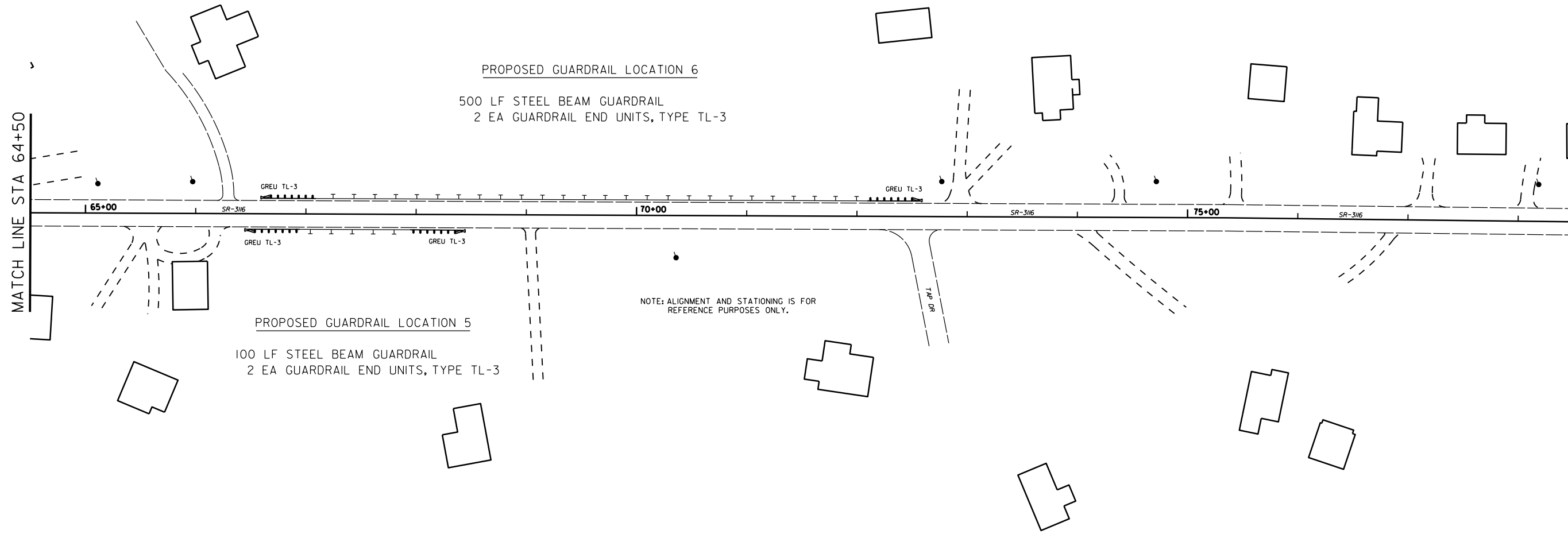
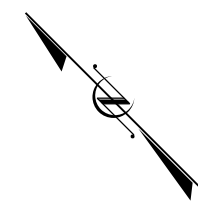
PROPOSED GUARDRAIL LOCATION 6

500 LF STEEL BEAM GUARDRAIL  
2 EA GUARDRAIL END UNITS, TYPE TL-3

PROPOSED GUARDRAIL LOCATION 5

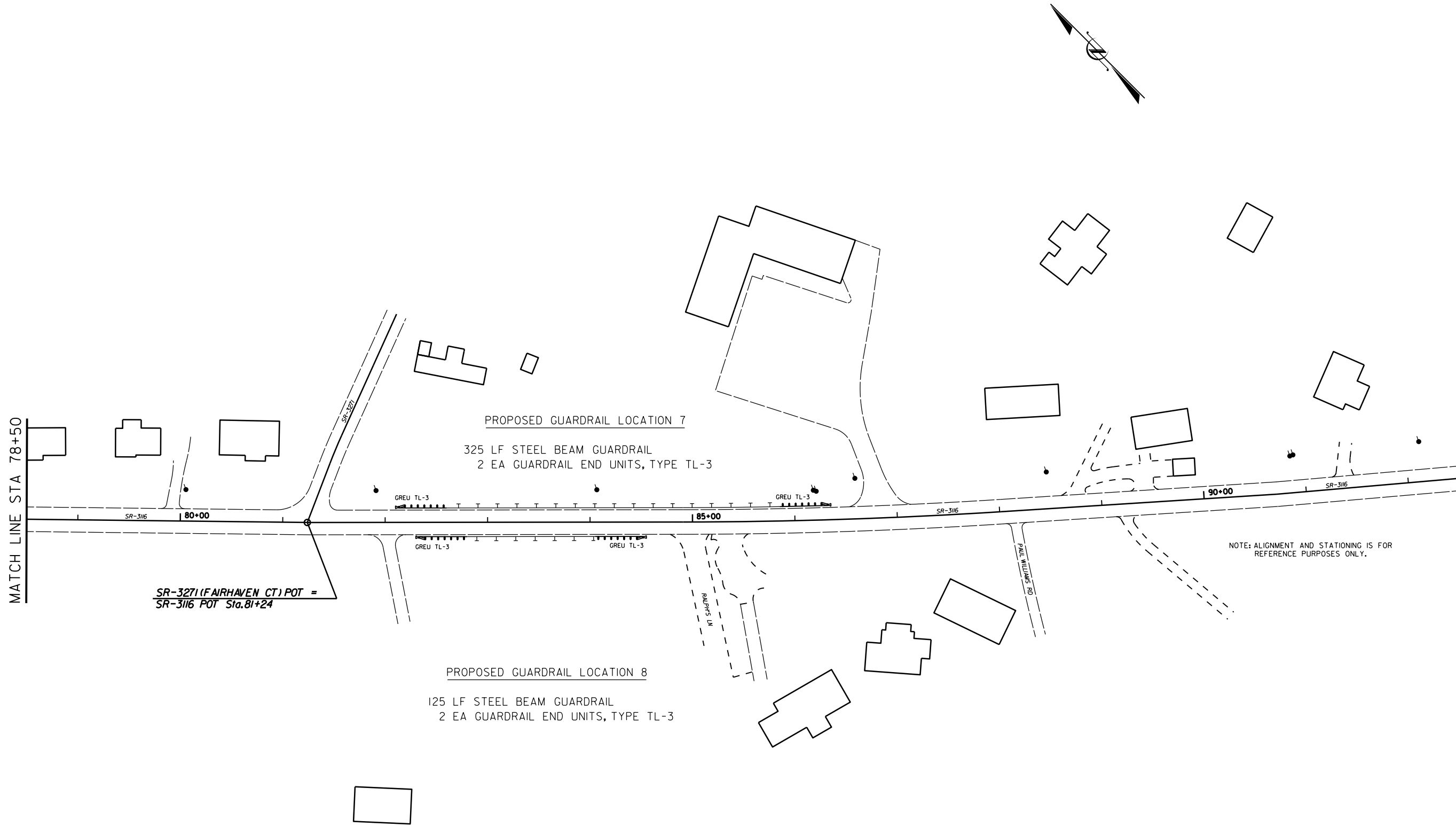
100 LF STEEL BEAM GUARDRAIL  
2 EA GUARDRAIL END UNITS, TYPE TL-3

NOTE: ALIGNMENT AND STATIONING IS FOR  
REFERENCE PURPOSES ONLY.



REVISIONS

**DM00262**



8/17/99

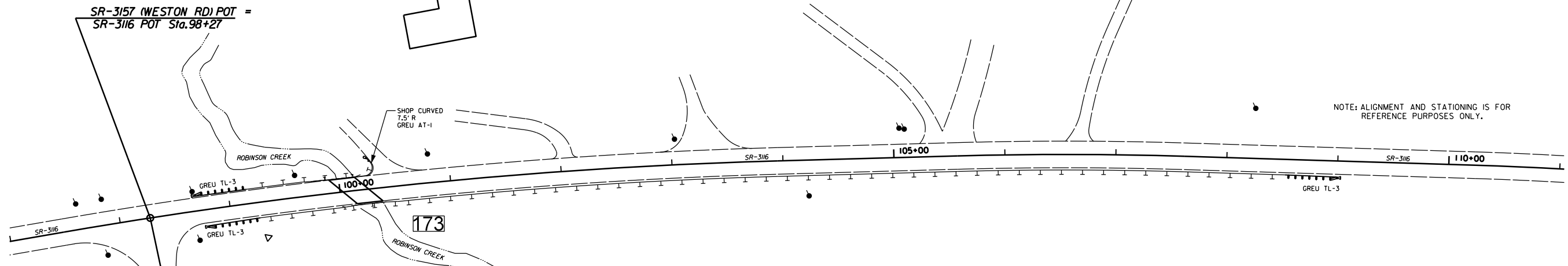
REVISIONS

DM00262

01/18/20/08

PROPOSED GUARDRAIL LOCATION 9

- 100 LF STEEL BEAM GUARDRAIL
- 25 LF STEEL BEAM GUARDRAIL, SHOP CURVED
- 1 EA GUARDRAIL END UNITS, TYPE AT-1
- 1 EA GUARDRAIL END UNITS, TYPE TL-3
- 50 LF REMOVE EXISTING GUARDRAIL



PROPOSED GUARDRAIL LOCATION 10

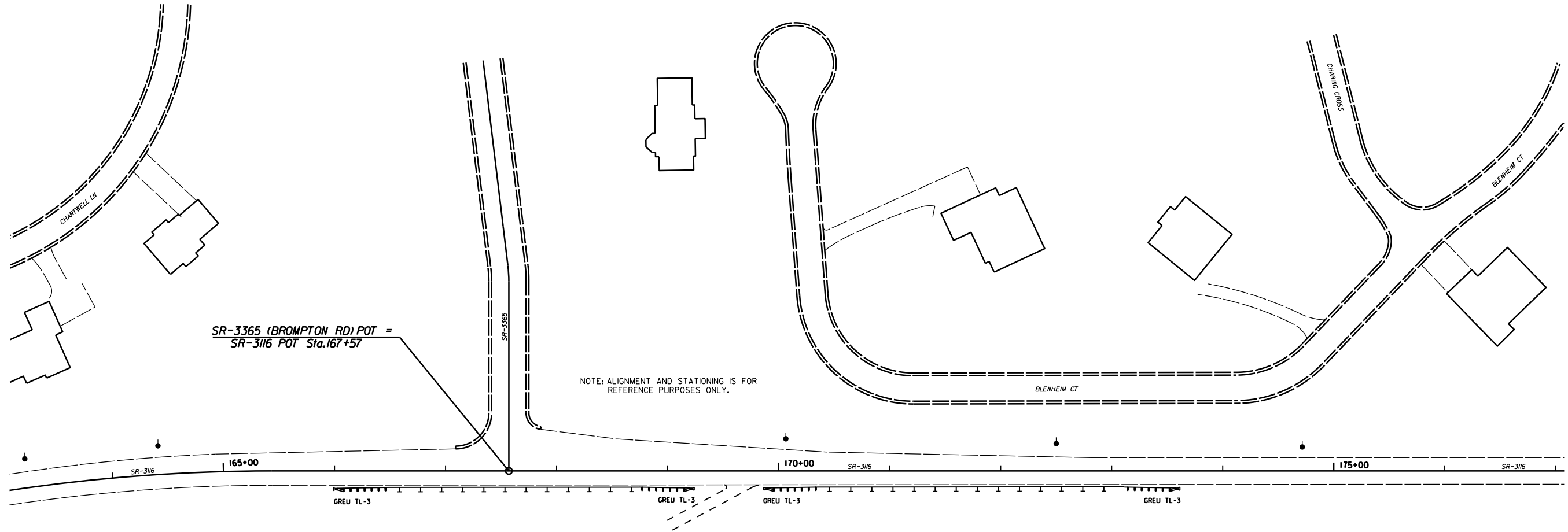
- 925 LF STEEL BEAM GUARDRAIL
- 2 EA GUARDRAIL END UNITS, TYPE TL-3
- 50 LF REMOVE EXISTING GUARDRAIL

8/17/99

REVISIONS

DM00262

01 10/25/08



SR-3365 (BROMPTON RD) POT =  
SR-316 POT Sta.167+57

NOTE: ALIGNMENT AND STATIONING IS FOR  
REFERENCE PURPOSES ONLY.

PROPOSED GUARDRAIL LOCATION 11

225 LF STEEL BEAM GUARDRAIL  
2 EA GUARDRAIL END UNITS, TYPE TL-3

PROPOSED GUARDRAIL LOCATION 12

275 LF STEEL BEAM GUARDRAIL  
2 EA GUARDRAIL END UNITS, TYPE TL-3

STATE OF NORTH CAROLINA  
DEPT. OF TRANSPORTATION  
DIVISION OF HIGHWAYS  
RALEIGH, N.C.

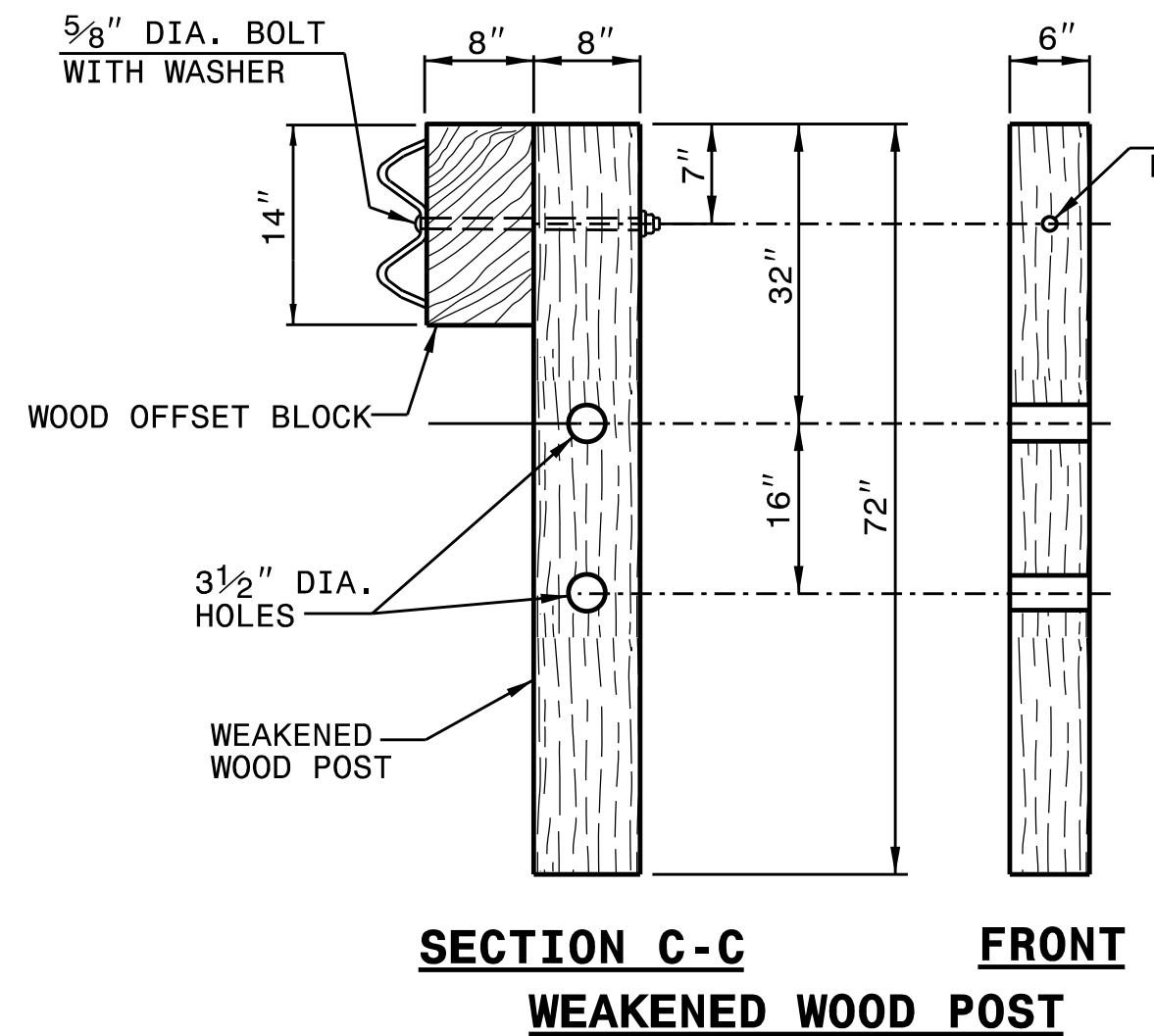
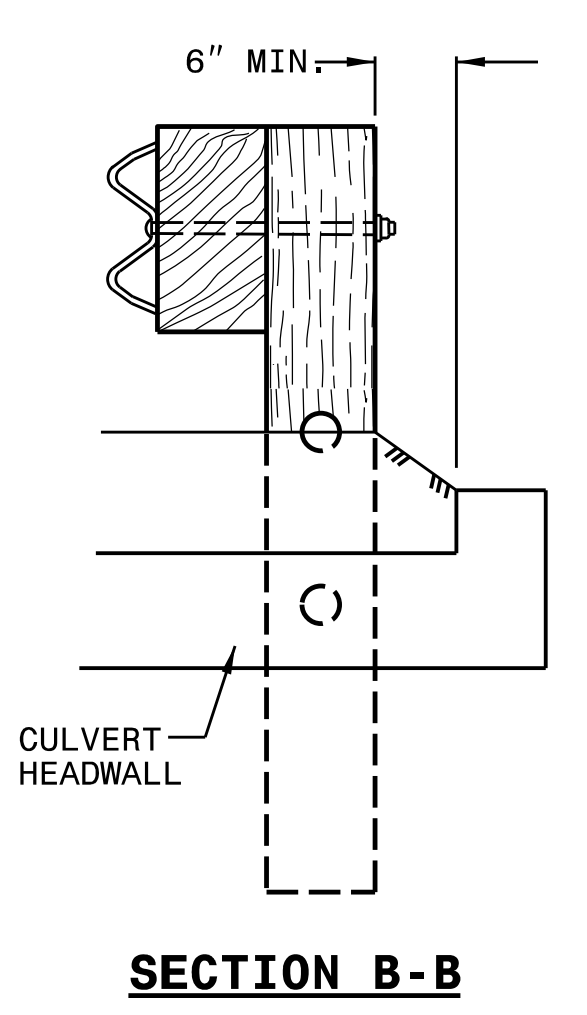
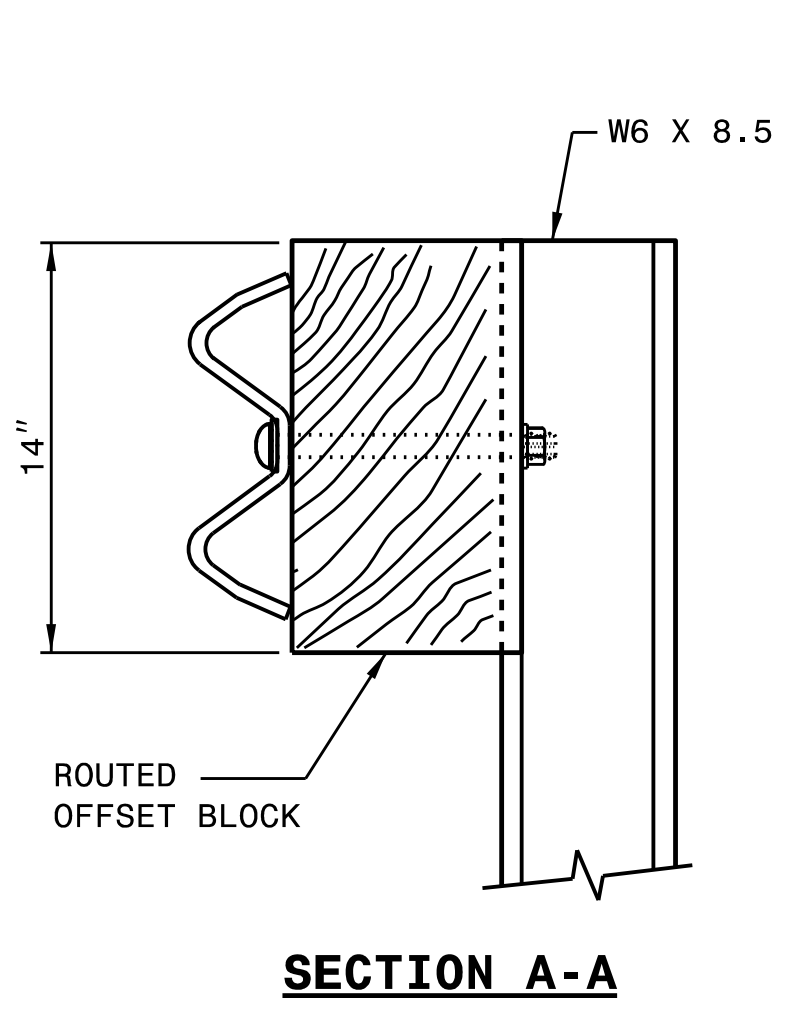
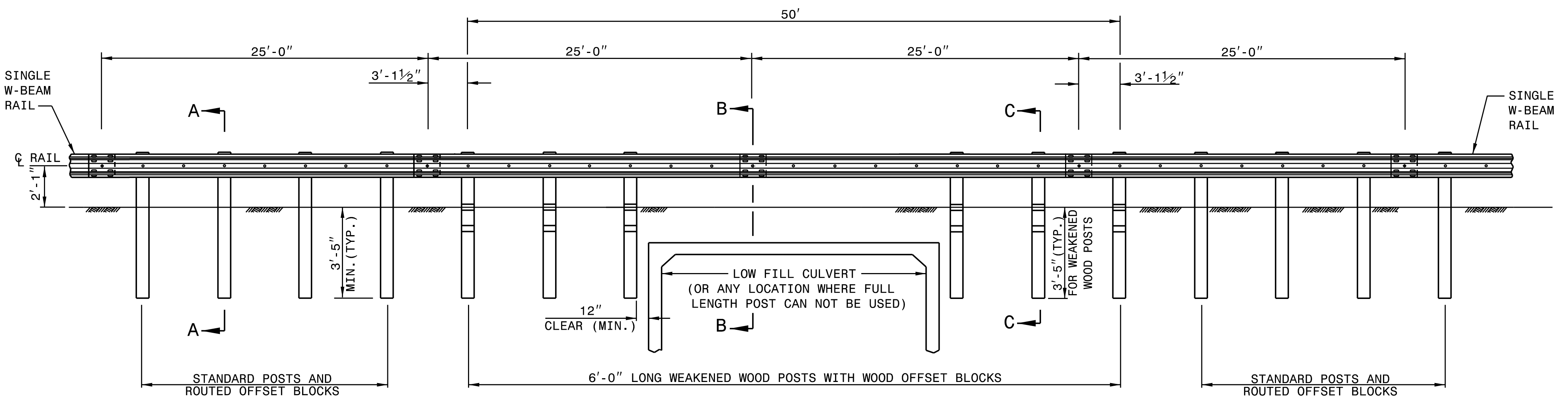
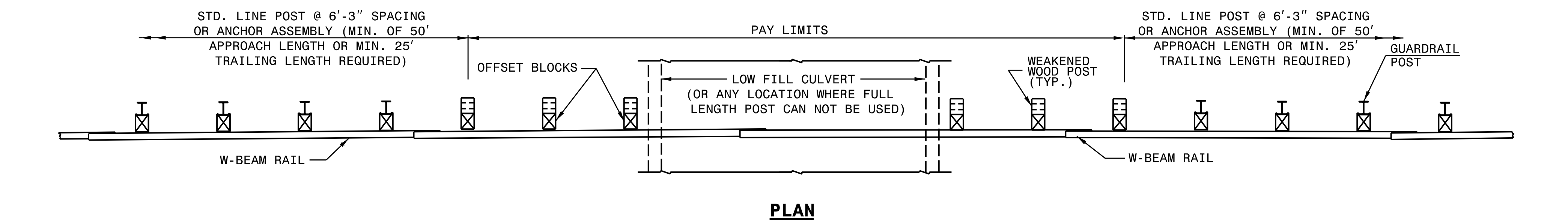
SPECIAL DETAIL FOR  
**GUARDRAIL PLACEMENT**  
25'-0" CLEAR SPAN

SHEET - OF -  
**862D01**

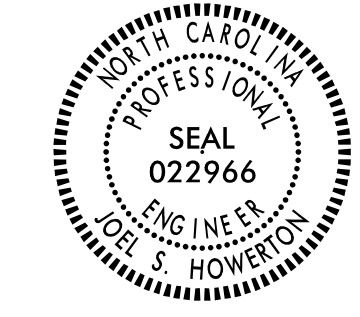
STATE OF NORTH CAROLINA  
DEPT. OF TRANSPORTATION  
DIVISION OF HIGHWAYS  
RALEIGH, N.C.

SPECIAL DETAIL FOR  
**GUARDRAIL PLACEMENT**  
25'-0" CLEAR SPAN

SHEET - OF -  
**862D01**



- GENERAL NOTES:  
 1. LAP RAIL IN THE DIRECTION OF TRAFFIC FLOW.  
 2. SEE ROADWAY PLANS FOR LOCATIONS AND CONTINUATION OF RAIL OR END SECTIONS.  
 3. MINIMUM DISTANCE OF 5 FEET BEHIND THE GUARDRAIL SHOULD BE CLEAR OF ANY FIXED-OBJECT HAZARDS THAT COULD SNAG AN IMPACTING VEHICLE.



**CONTRACTS STANDARDS AND DEVELOPMENT UNIT**  
Office 919-707-6950 FAX 919-250-4119

**25'-0" CLEAR SPAN GUARDRAIL PLACEMENT**

ORIGINAL BY: \_\_\_\_\_ DATE: \_\_\_\_\_  
 MODIFIED BY: \_\_\_\_\_ DATE: \_\_\_\_\_  
 CHECKED BY: \_\_\_\_\_ DATE: \_\_\_\_\_  
 FILE SPEC.: \_\_\_\_\_

DOCUMENT NOT CONSIDERED FINAL  
UNLESS ALL SIGNATURES COMPLETED



STATE OF NORTH CAROLINA  
DIVISION OF HIGHWAYS

**BUNCOMBE COUNTY**

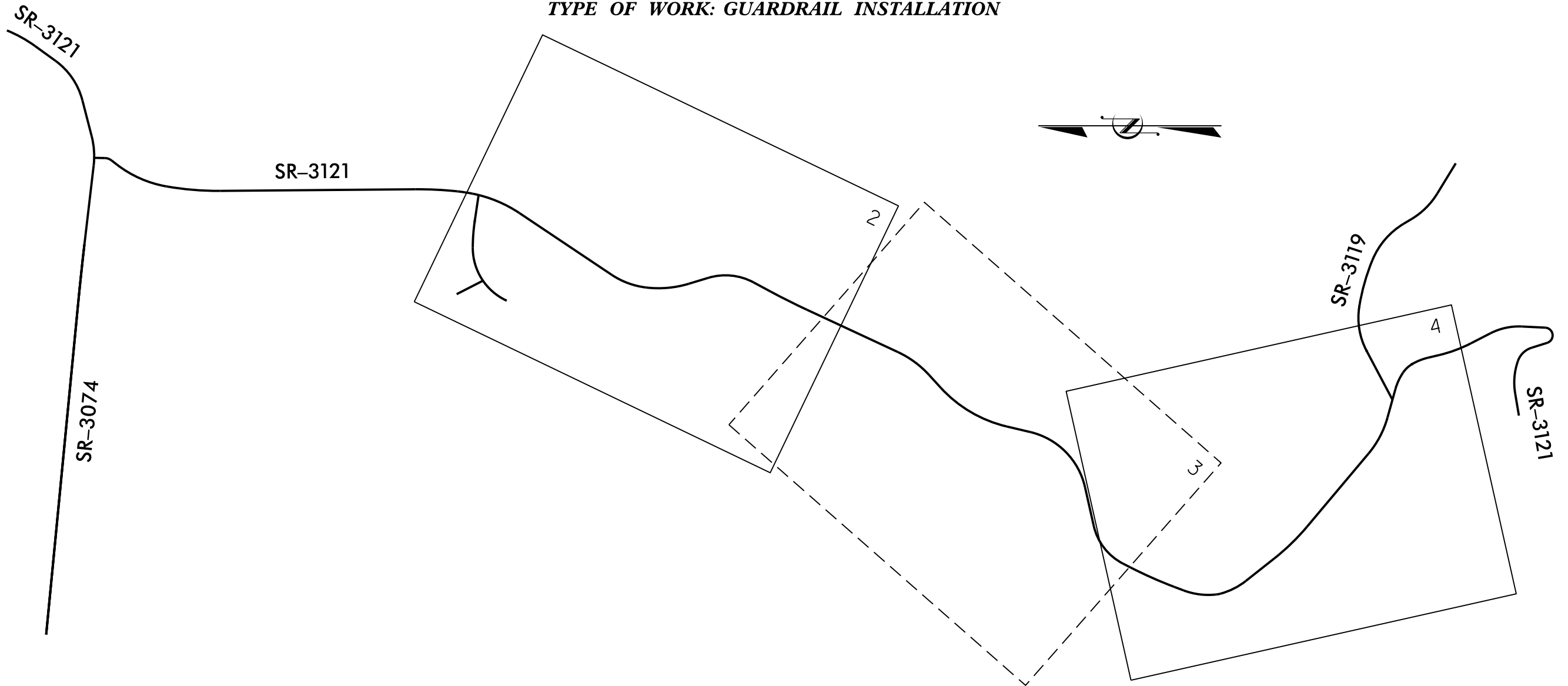
LOCATION: SR-3121 (ROSE HILL RD) FROM 0.31 MILES SOUTH OF SR-3074  
TO 0.18 MILES NORTH OF SR-3119

TYPE OF WORK: GUARDRAIL INSTALLATION

STATE	STATE PROJECT REFERENCE NO.	SHEET NO.	TOTAL SHEETS
N.C.	W-5713Q	1	4
STATE PROJ. NO.	F.A. PROJ. NO.	DESCRIPTION	
44861.1.17	HSIP-3121(001)	PE	
44861.3.17	HSIP-3121(001)	CONST.	

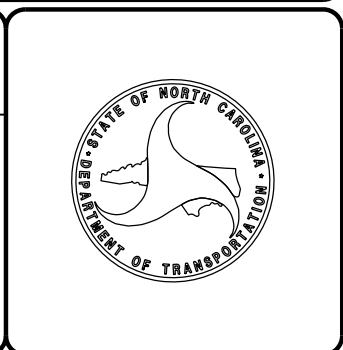


CONTRACT: DM00262 TIP PROJECT: W-5713Q



Prepared in the Office of:  
**NCDOT DIVISION 13**  
55 Orange St., Asheville NC, 28801

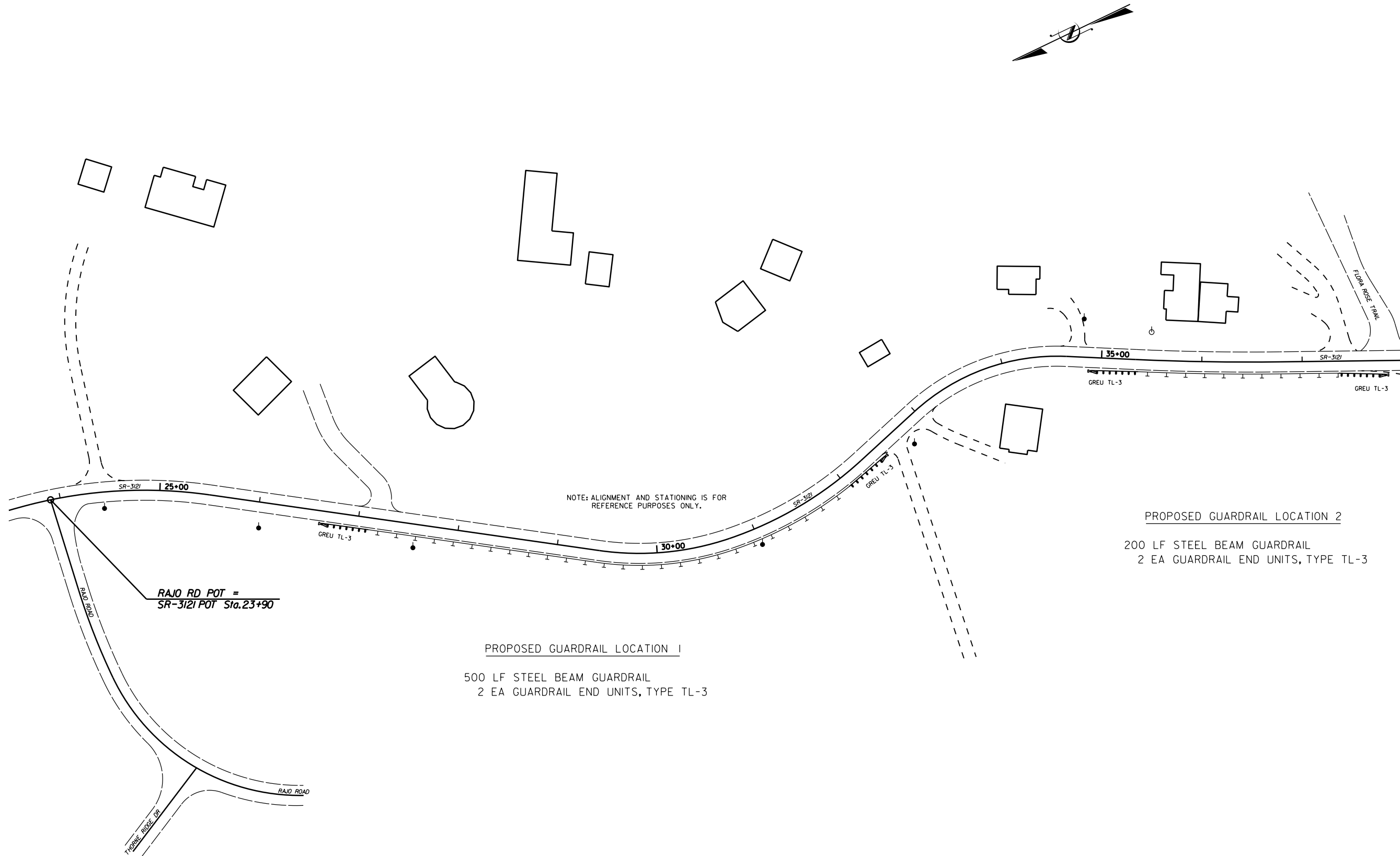
2018 STANDARD SPECIFICATIONS	
RIGHT OF WAY DATE:	PROJECT ENGINEER
LETTING DATE: NOVEMBER 21, 2018	PROJECT DESIGN ENGINEER



8/17/99

REVISIONS  
**DM00262**

03.10.2018



NOTE: ALIGNMENT AND STATIONING IS FOR REFERENCE PURPOSES ONLY.

RAJO RD POT =  
SR-3121 POT Sta. 23+90

PROPOSED GUARDRAIL LOCATION 1

500 LF STEEL BEAM GUARDRAIL  
2 EA GUARDRAIL END UNITS, TYPE TL-3

PROPOSED GUARDRAIL LOCATION 2

200 LF STEEL BEAM GUARDRAIL  
2 EA GUARDRAIL END UNITS, TYPE TL-3

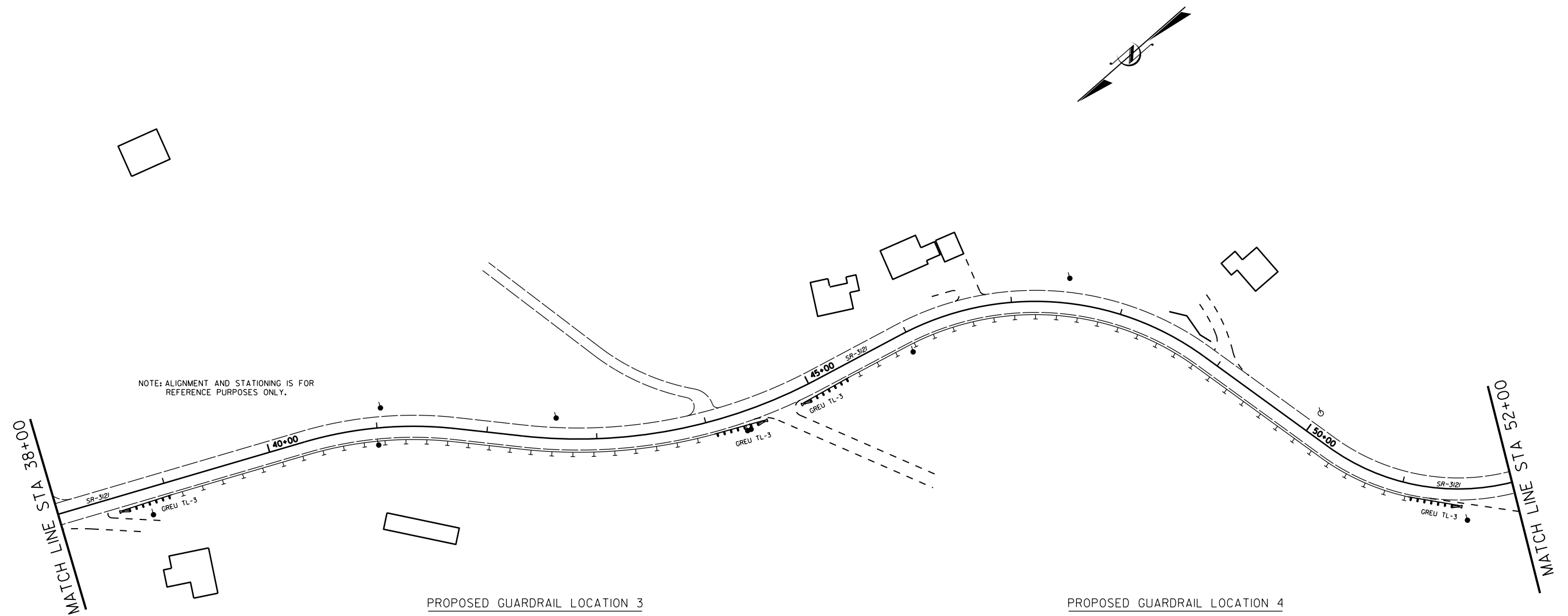
MATCH LINE STA 38+00

8/17/99

REVISIONS

**DM00262**

01.10.2018



PROPOSED GUARDRAIL LOCATION 3

500 LF STEEL BEAM GUARDRAIL  
2 EA GUARDRAIL END UNITS, TYPE TL-3

PROPOSED GUARDRAIL LOCATION 4

562.5 LF STEEL BEAM GUARDRAIL  
2 EA GUARDRAIL END UNITS, TYPE TL-3

8/17/99

REVISIONS

DM00262

DL 10/25/08



MATCH LINE STA 52+00

NOTE: ALIGNMENT AND STATIONING IS FOR REFERENCE PURPOSES ONLY.

PROPOSED GUARDRAIL LOCATION 5  
225 LF STEEL BEAM GUARDRAIL  
2 EA GUARDRAIL END UNITS, TYPE TL-3

SR-3119 (MERRILLS COVE RD) POT =  
SR-3121 POT Sta.65+10