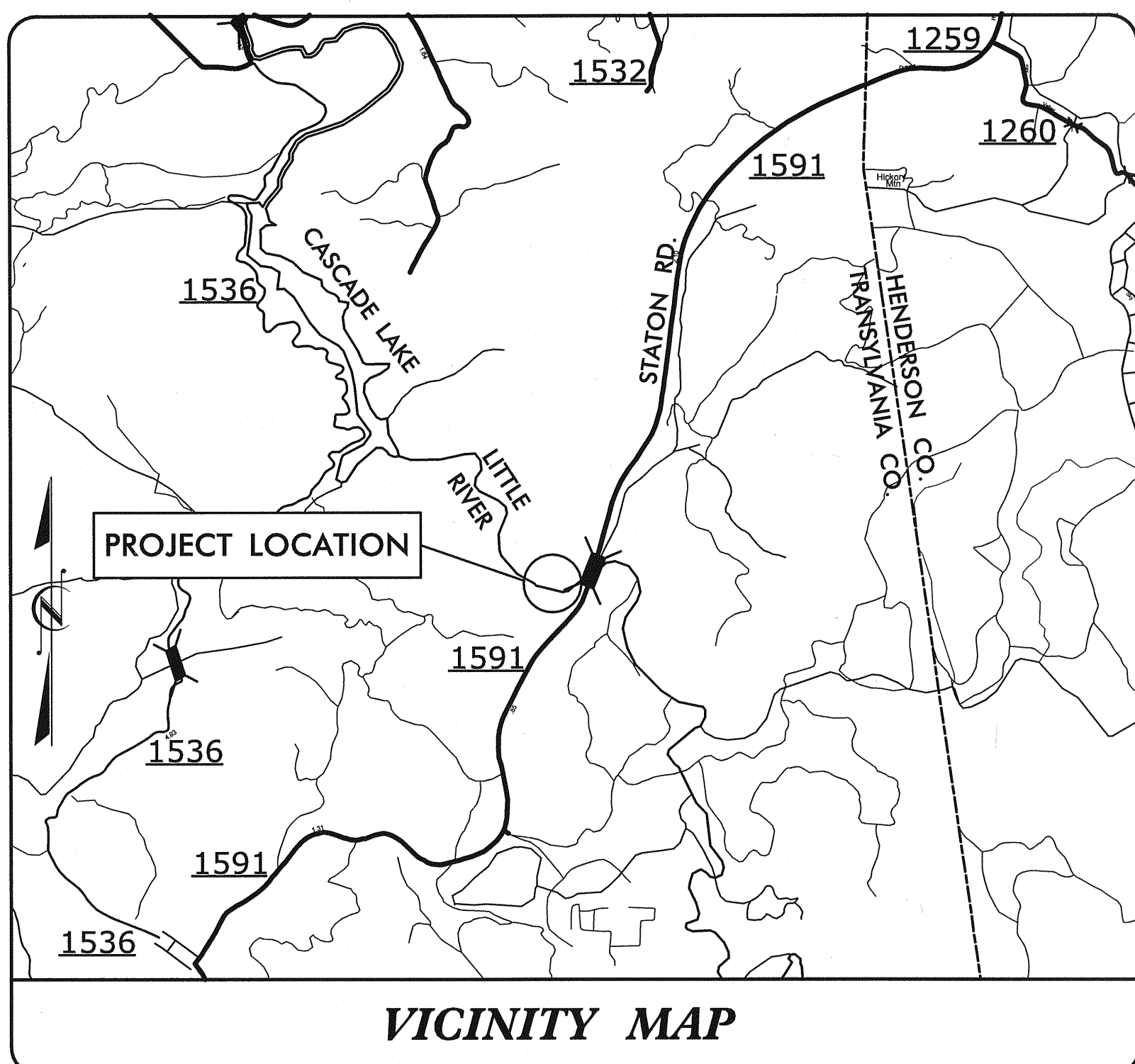


09/08/13
 \$\$\$SYTIME\$\$\$\$
 \$\$\$DCN\$\$\$\$
 \$\$\$USERNAME\$\$\$

PROJECT NO: 43650

CONTRACT: DN00225



VICINITY MAP

STATE OF NORTH CAROLINA
DIVISION OF HIGHWAYS

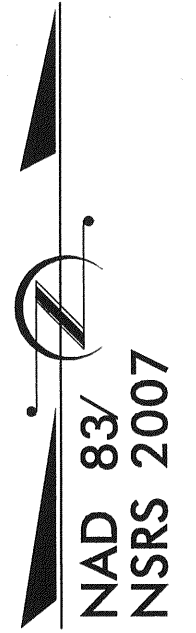
TRANSYLVANIA COUNTY

**LOCATION: PEDESTRIAN BRIDGE OVER LITTLE RIVER
ON TRIPLE FALLS TRAIL**

TYPE OF WORK: GRADING, TRAIL CONSTRUCTION, DRAINAGE & STRUCTURE

STATE	STATE PROJECT REFERENCE NO.	SHEET NO.	TOTAL SHEETS
N.C.	43650	1	
STATE PROJ. NO.	F.A. PROJ. NO.	DESCRIPTION	

SCO# 12-09576-01A

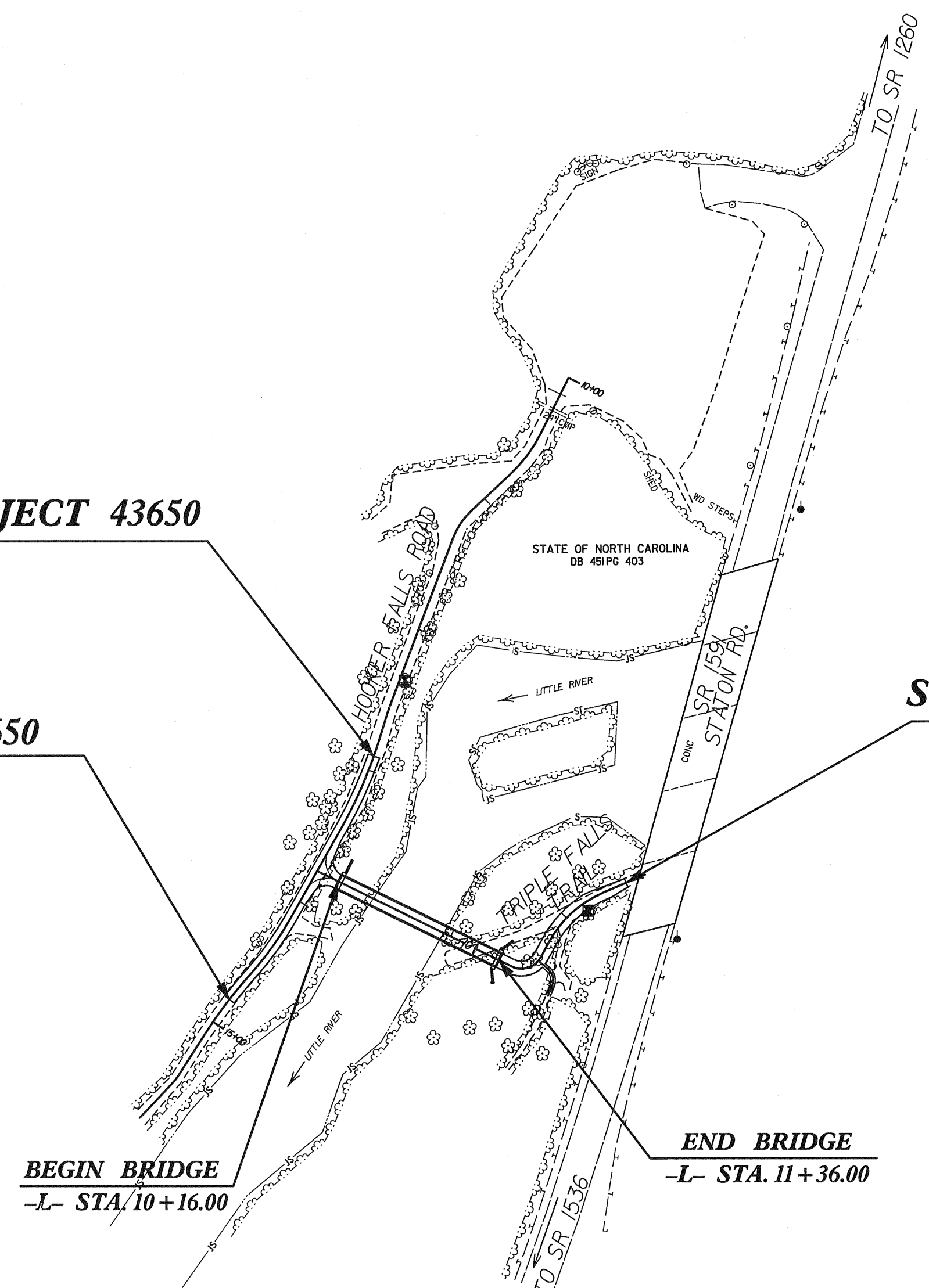


STRUCTURE

STA. 12+90.00 -Y- BEGIN TIP PROJECT 43650

STA. 14+81.26 -Y- END TIP PROJECT 43650

STA. 12+46.76 -L- END TIP PROJECT 43650



RFC

RELEASED FOR CONSTRUCTION

PROJECT LENGTH	
LENGTH ROADWAY TIP PROJECT 43650	= 0.061 MI
LENGTH STRUCTURE TIP PROJECT 43650	= 0.022 MI
TOTAL LENGTH TIP PROJECT 43650	= 0.083 MI
NCDOT CONTACT:	JOSHUA DEYTON, P.E. PROJECT ENGINEER

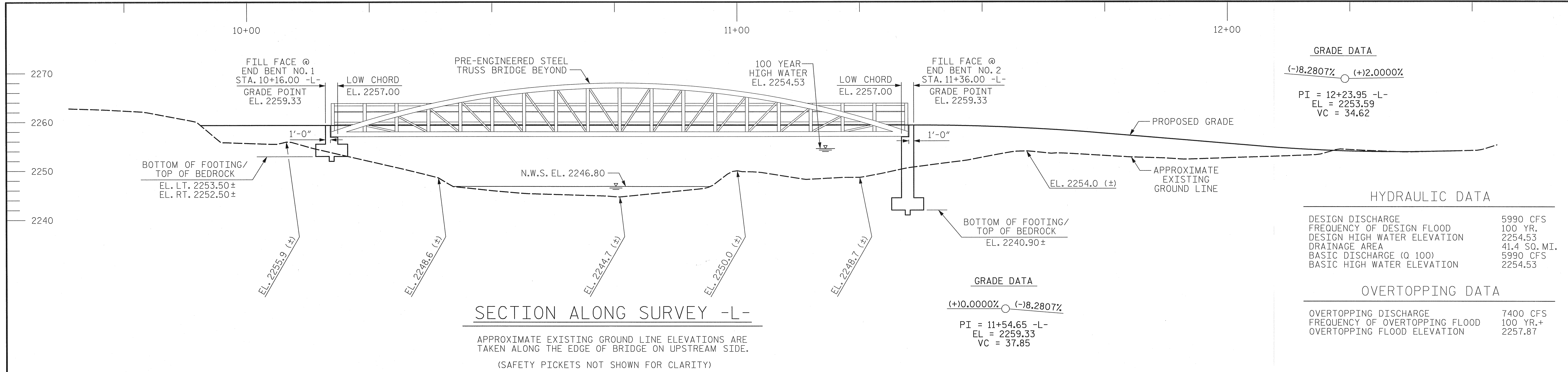
Prepared In the Office of:
Mattern & Craig
CONSULTING ENGINEERS - SURVEYORS
12 BROAD STREET
ASHEVILLE, NORTH CAROLINA 28801
(828) 254-2201 - FAX (828) 254-4562

2012 STANDARD SPECIFICATIONS	
RIGHT OF WAY DATE:	JAMES B. VOSO, P.E. PROJECT ENGINEER
LETTING DATE:	STEVEN A. CAMPBELL, P.E. PROJECT DESIGN ENGINEER
FY 2013	

STATE HIGHWAY DESIGN ENGINEER

DIVISION OF HIGHWAYS
STATE OF NORTH CAROLINA

P.E.



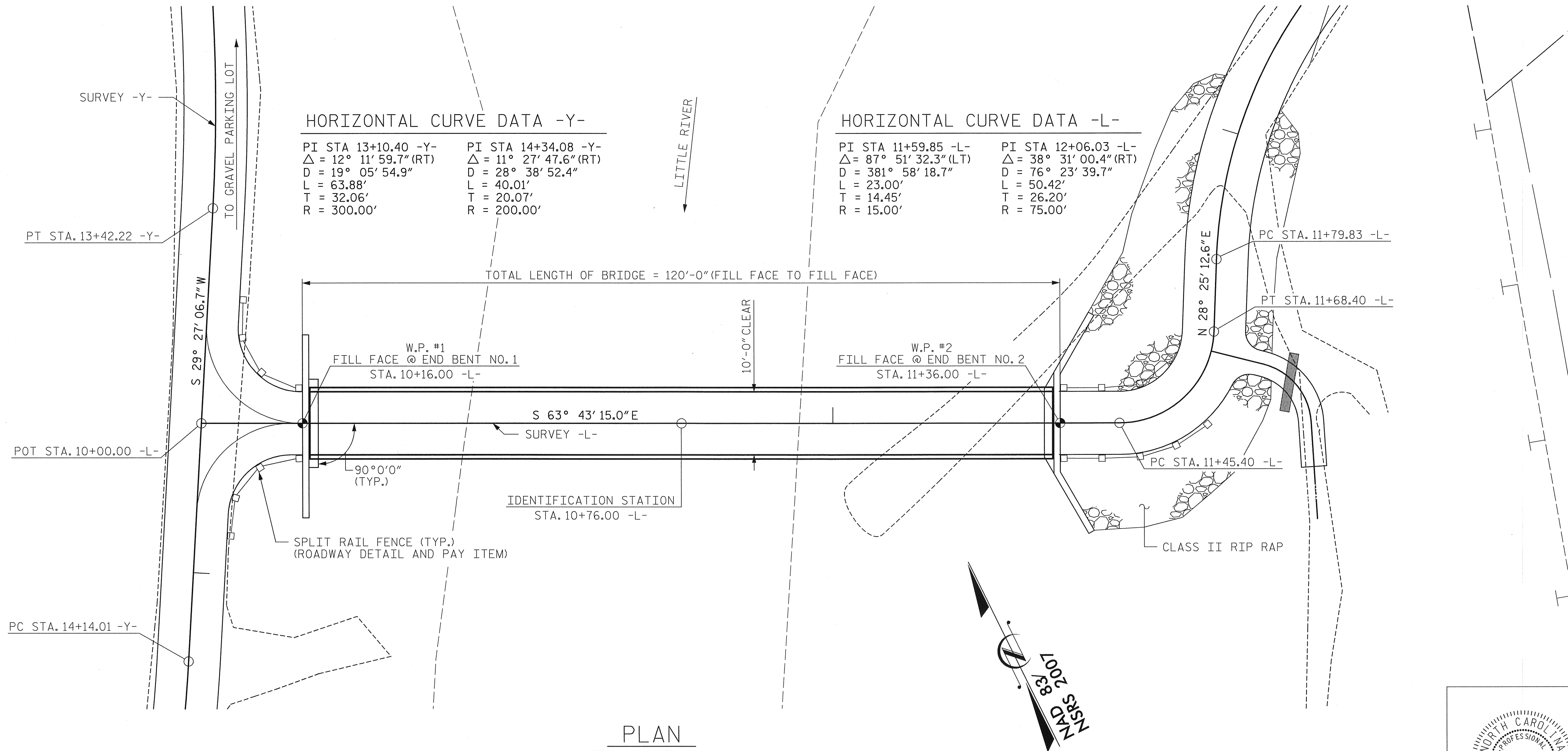
SECTION ALONG SURVEY -L-

APPROXIMATE EXISTING GROUND LINE ELEVATIONS ARE TAKEN ALONG THE EDGE OF BRIDGE ON UPSTREAM SIDE.
(SAFETY PICKETS NOT SHOWN FOR CLARITY)

GRADE DATA	
(-)8.2807%	(+)2.0000%
PI = 12+23.95 -L-	EL = 2253.59
	VC = 34.62

HYDRAULIC DATA	
DESIGN DISCHARGE	5990 CFS
FREQUENCY OF DESIGN FLOOD	100 YR.
DESIGN HIGH WATER ELEVATION	2254.53
DRAINAGE AREA	41.4 SQ. MI.
BASIC DISCHARGE (Q 100)	5990 CFS
BASIC HIGH WATER ELEVATION	2254.53

OVERTOPPING DATA	
OVERTOPPING DISCHARGE	7400 CFS
FREQUENCY OF OVERTOPPING FLOOD	100 YR.+
OVERTOPPING FLOOD ELEVATION	2257.87



PLAN

PROJECT NO. 43650
TRANSYLVANIA COUNTY
STATION: 10+76.00 -L-

SHEET 1 OF 2

STATE OF NORTH CAROLINA
DEPARTMENT OF TRANSPORTATION
RALEIGH
GENERAL DRAWING
FOR STRUCTURE ON
TRIPLE FALLS TRAIL OVER
LITTLE RIVER
BETWEEN HOOKER FALLS ROAD
AND HIGH FALLS TRAIL



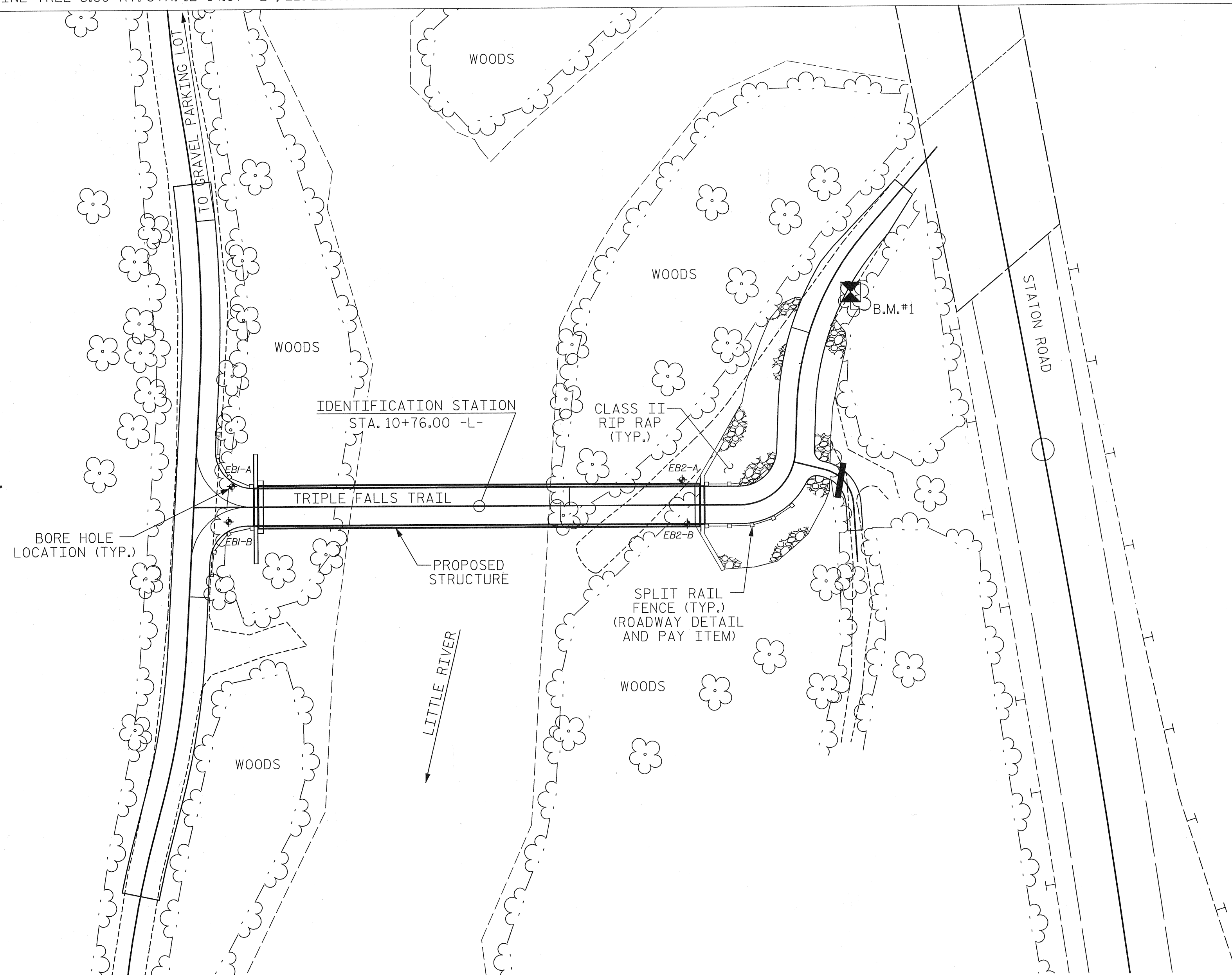
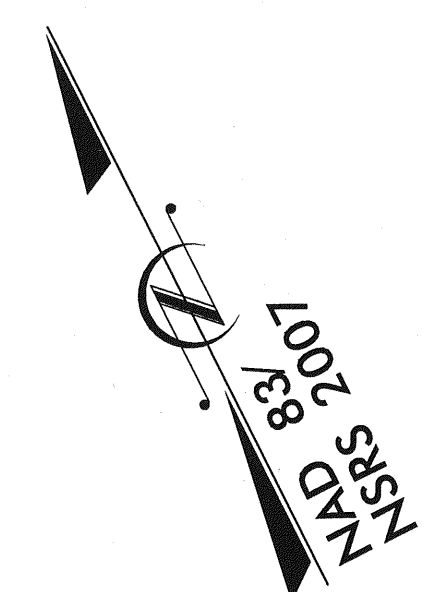
Prepared in the Office of:
Mattern & Craig
CONSULTING ENGINEERS - SURVEYORS
12 BROAD STREET
ASHEVILLE, NORTH CAROLINA 28601
(828) 254-2201 - FAX (828) 254-4562

REVISIONS						SHEET NO.
NO.	BY:	DATE:	NO.	BY:	DATE:	S-1
1			3			TOTAL SHEETS
2			4			6

DRAWN BY : PFC DATE : 04/13
CHECKED BY : CMT DATE : 04/13

SCO# 12-09576-01A

BENCHMARK: B.M. #1: 8" SPIKE IN ROOT OF 12" PINE TREE 5.89' RT. STA. 12+14.87 -L-, EL. 2256.67



LOCATION SKETCH

NO KNOWN UTILITY CONFLICTS.

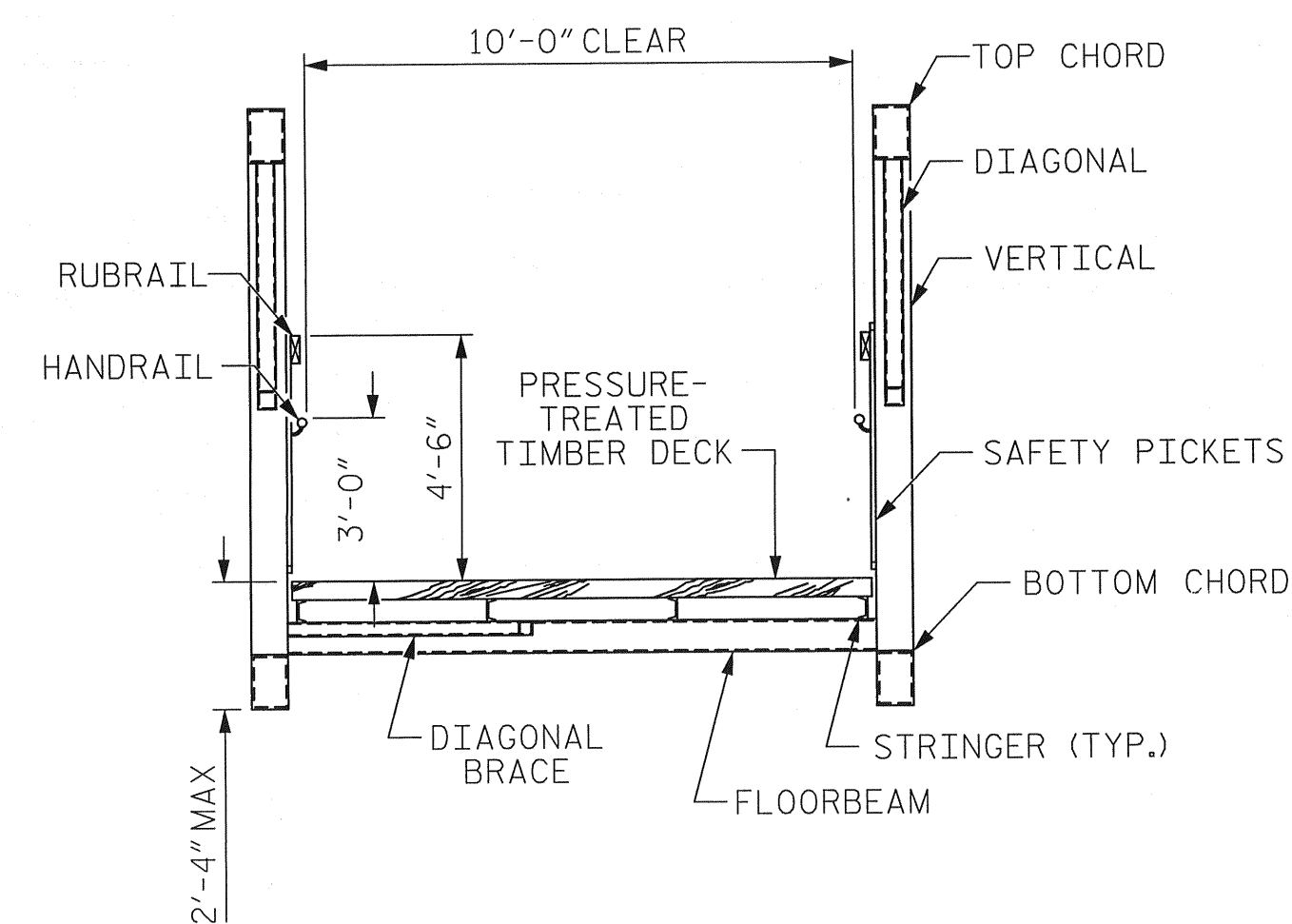
NOTES:

- FOR EROSION CONTROL MEASURES, SEE EROSION CONTROL PLANS.
- THIS STRUCTURE HAS BEEN DESIGNED IN ACCORDANCE WITH THE AASHTO LRFD GUIDE SPECIFICATIONS FOR THE DESIGN OF PEDESTRIAN BRIDGES.
- FOR CRANE SAFETY, SEE SPECIAL PROVISIONS.
- FOR SUBMITTAL OF WORKING DRAWINGS, SEE SPECIAL PROVISIONS.
- FOR FALSEWORK AND FORMWORK, SEE SPECIAL PROVISIONS.
- FOR BRIDGE APPROACH FILL, SEE SPECIAL PROVISIONS.
- THIS BRIDGE IS LOCATED IN SEISMIC ZONE 1.
- THE CONTRACTOR SHALL COORDINATE WITH THE PREFABRICATED SUPERSTRUCTURE FABRICATOR IN REGARD TO DELIVERY, REMOVAL OF THE SUPERSTRUCTURE FROM TRANSPORT TRUCKS, ON-SITE STORAGE, AND OTHER GENERAL HANDLING REQUIREMENTS. SEE BRIDGE ERECTION SPECIAL PROVISION.
- THE DIMENSIONS INDICATED ARE FOR INFORMATION ONLY. THE END BENT DIMENSIONS AND THE ACTUAL LOCATIONS AND SPACING OF THE ANCHOR BOLTS MUST BE COORDINATED WITH THE REQUIREMENTS OF THE PREFABRICATED BRIDGE SUPERSTRUCTURE FABRICATOR.
- THE SPREAD FOOTINGS AT END BENTS 1 AND 2 ARE DESIGNED FOR A FACTORED RESISTANCE OF 6 TSF. THE GEOTECHNICAL ENGINEER SHALL VERIFY FIELD CONDITIONS TO ENSURE THAT A REQUIRED RESISTANCE OF 14 TSF IS ACHIEVED JUST BEFORE PLACING CONCRETE.
- KEY SPREAD FOOTINGS A MINIMUM OF 12" INTO ROCK WITH A MINIMUM THICKNESS AS SHOWN ON THE PLANS.
- SPREAD FOOTINGS AT END BENTS 1 AND 2 MUST BE PLACED ON SUITABLE BED ROCK. IF ADEQUATE BEARING IS NOT ENCOUNTERED AT THE PLAN BOTTOM OF FOOTING EXCAVATION, EXCAVATE DOWN TO AN ELEVATION AS DETERMINED IN THE FIELD BY THE GEOTECHNICAL ENGINEER (3'-0" MAX.). AT THIS ELEVATION PLACE A MINIMUM OF 3,000 PSI UNREINFORCED CONCRETE SLAB TO THE PLAN BOTTOM OF FOOTING ELEVATION AND PROVIDE A ONE FOOT SHEAR KEY, AS INDICATED ON THE PLANS, BELOW THAT.
- ALL MATERIALS AND CONSTRUCTION MUST MEET THE REQUIREMENTS OF THE NCDOT STANDARD SPECIFICATIONS FOR ROADS AND STRUCTURES, JANUARY 2012 OR SHALL BE NCDOT-APPROVED.
- THE FOUNDATION DESIGN SHOWN ON THE PLANS IS BASED ON THE FOLLOWING MAXIMUM UNFACTORED LOADS (BRIDGE REACTIONS PER BEARING):

LOAD TABLE			
	VERTICAL LOADS (LBS)	TRANSVERSE LOADS (LBS)	LONGITUDINAL LOADS (LBS)
DEAD LOAD	15,900		
UNIFORM LIVE LOAD	27,215		
VEHICLE LOAD	5,000		
WIND UPLIFT	-9,960		
WIND	-10,855	10,100	
THERMAL			2,385

THE BRIDGE REACTIONS SHALL BE VERIFIED BY THE PEDESTRIAN BRIDGE FABRICATOR PRIOR TO THE PLANS BEING ISSUED FOR CONSTRUCTION.

TOTAL BILL OF MATERIAL						
	FOUNDATION EXCAVATION	PLAIN RIP RAP CLASS II (2'-0" THICK)	FILTER FABRIC FOR DRAINAGE	CLASS A CONCRETE	REINFORCING STEEL	BRIDGE APPROACH FILL
	CU. YDS.	TONS	SQ. YD.	CU. YDS.	LBS.	LUMP SUM
SUPERSTRUCTURE						
END BENT NO. 1	7			17.3	1125	LUMP SUM
END BENT NO. 2	160	67	99	69.3	5797	LUMP SUM
TOTAL	167	67	99	86.6	6922	LUMP SUM

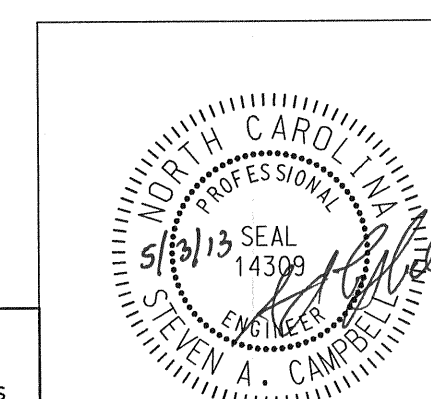


TRANSVERSE SECTION

PROJECT NO. 43650
 TRANSYLVANIA COUNTY
 STATION: 10+76.00 -L-

SHEET 2 OF 2

STATE OF NORTH CAROLINA
 DEPARTMENT OF TRANSPORTATION
 RALEIGH
 GENERAL DRAWING
 FOR STRUCTURE ON
 TRIPLE FALLS TRAIL OVER
 LITTLE RIVER
 BETWEEN HOOKER FALLS ROAD
 AND HIGH FALLS TRAIL



REVISIONS						SHEET NO.
NO.	BY:	DATE:	NO.	BY:	DATE:	SHEET NO.
1			3			S-2
2			4			TOTAL SHEETS 6

DRAWN BY: PFC DATE: 4/13
 CHECKED BY: CMT DATE: 4/13

Prepared in the Office of:

Mattern & Craig
 CONSULTING ENGINEERS - SURVEYORS
 12 BROAD STREET
 ASHEVILLE, NORTH CAROLINA 28801
 (828) 254-2201 - FAX (828) 254-4562

NOTES

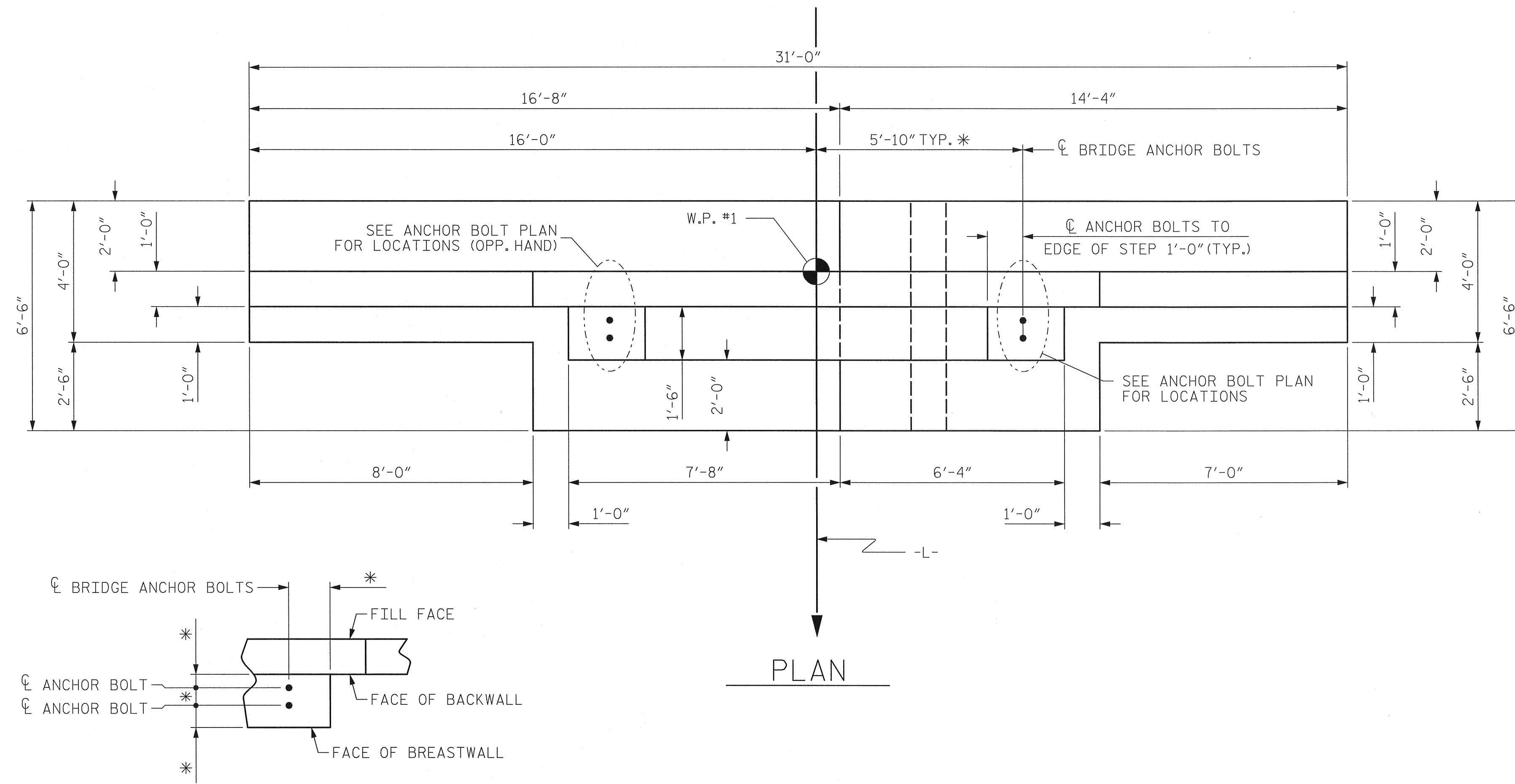
THE END BENTS HAVE BEEN DESIGNED BASED ON PRELIMINARY LOADS. ALL LOADS SHALL BE VERIFIED PRIOR TO CONSTRUCTION. SEE NOTES ON SHEET S-2.

STIRRUPS IN CAP MAY BE SHIFTED AS NECESSARY TO CLEAR ANCHOR BOLTS.

THE TOP SURFACE AREAS OF THE END BENT SHALL BE PROTECTED WITH AN EPOXY PROTECTIVE COATING AND SHALL BE CURED IN ACCORDANCE WITH THE STANDARD SPECIFICATIONS, EXCEPT THE MEMBRANE CURING COMPOUND METHOD SHALL NOT BE USED.

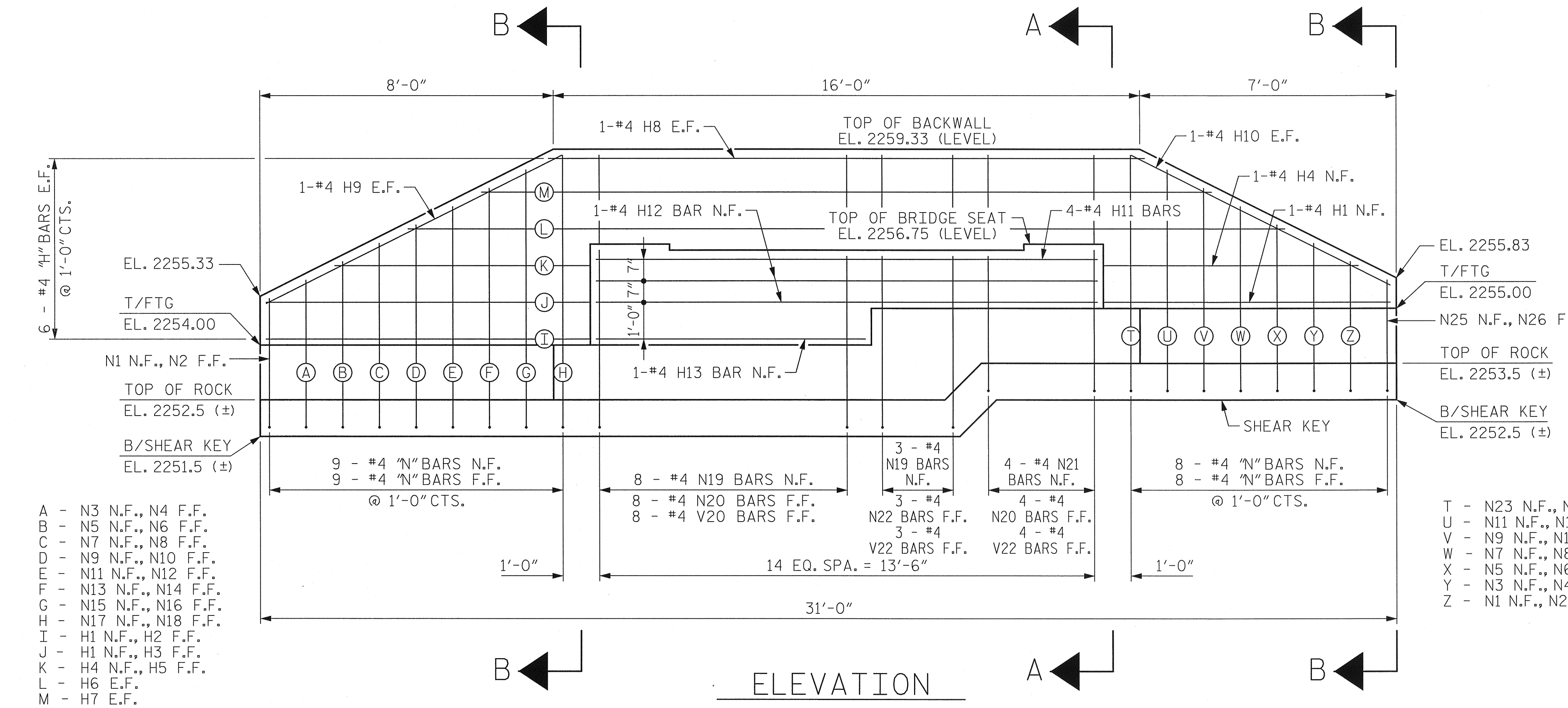
BACKWALL SHALL BE PLACED BEFORE APPLYING THE EPOXY PROTECTIVE COATING.

THE TOP SURFACE OF THE END BENT EXCEPT THE BRIDGE BEARING SEAT BUILDUPS SHALL BE SLOPED TRANSVERSELY FROM THE FILL FACE TO THE FACE OF THE BREASTWALL AT THE RATE OF 2%.



ANCHOR BOLT PLAN

* NOTE: CONTRACTOR COORDINATE ANCHOR BOLT LOCATIONS WITH BRIDGE FABRICATOR.

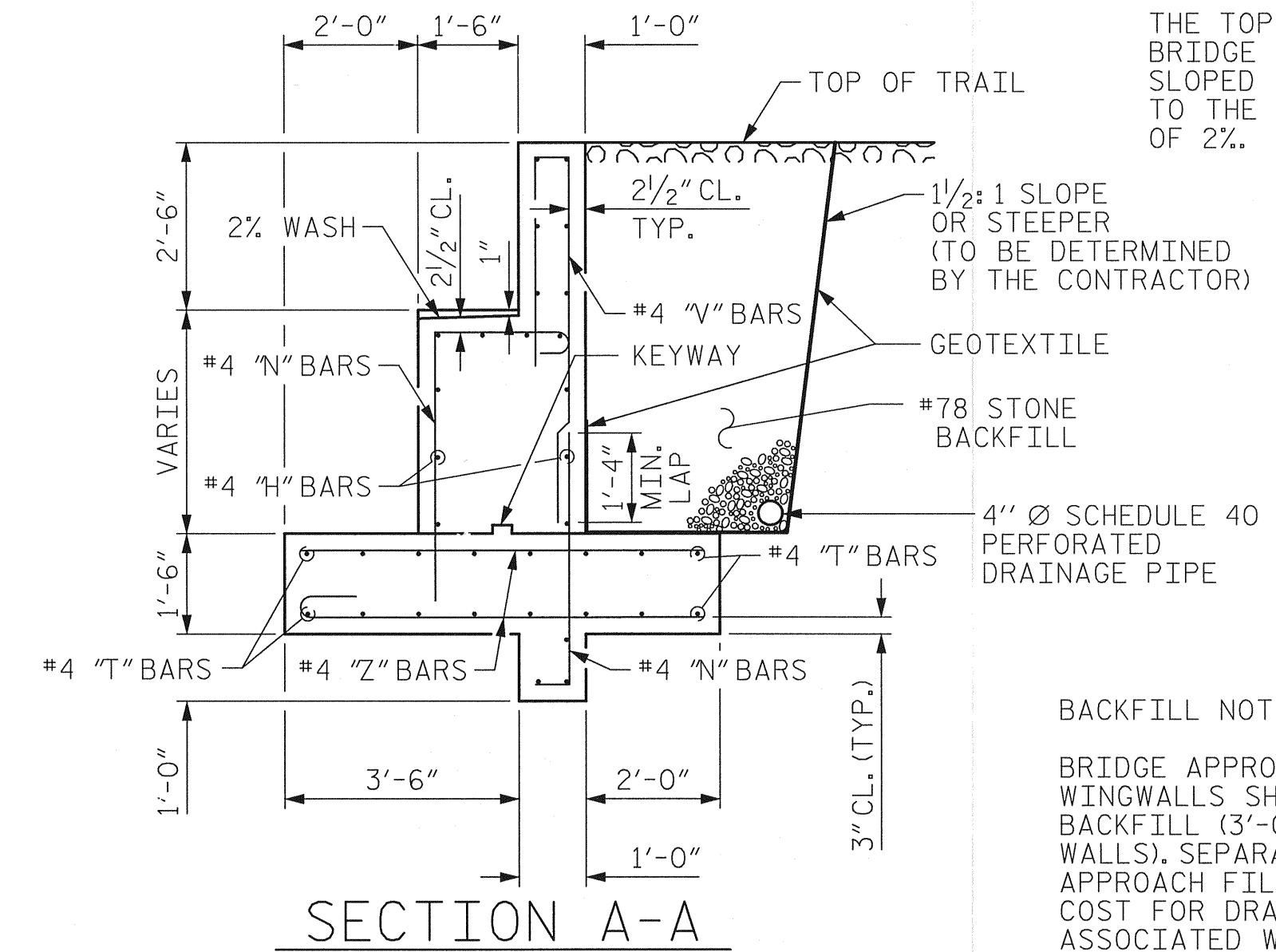


ELEVATION

- A - N3 N.F., N4 F.F.
- B - N5 N.F., N6 F.F.
- C - N7 N.F., N8 F.F.
- D - N9 N.F., N10 F.F.
- E - N11 N.F., N12 F.F.
- F - N13 N.F., N14 F.F.
- G - N15 N.F., N16 F.F.
- H - N17 N.F., N18 F.F.
- I - H1 N.F., H2 F.F.
- J - H1 N.F., H3 F.F.
- K - H4 N.F., H5 F.F.
- L - H6 E.F.
- M - H7 E.F.

ASSEMBLED BY : PFC DATE : 4/13
 CHECKED BY : CMT DATE : 4/13

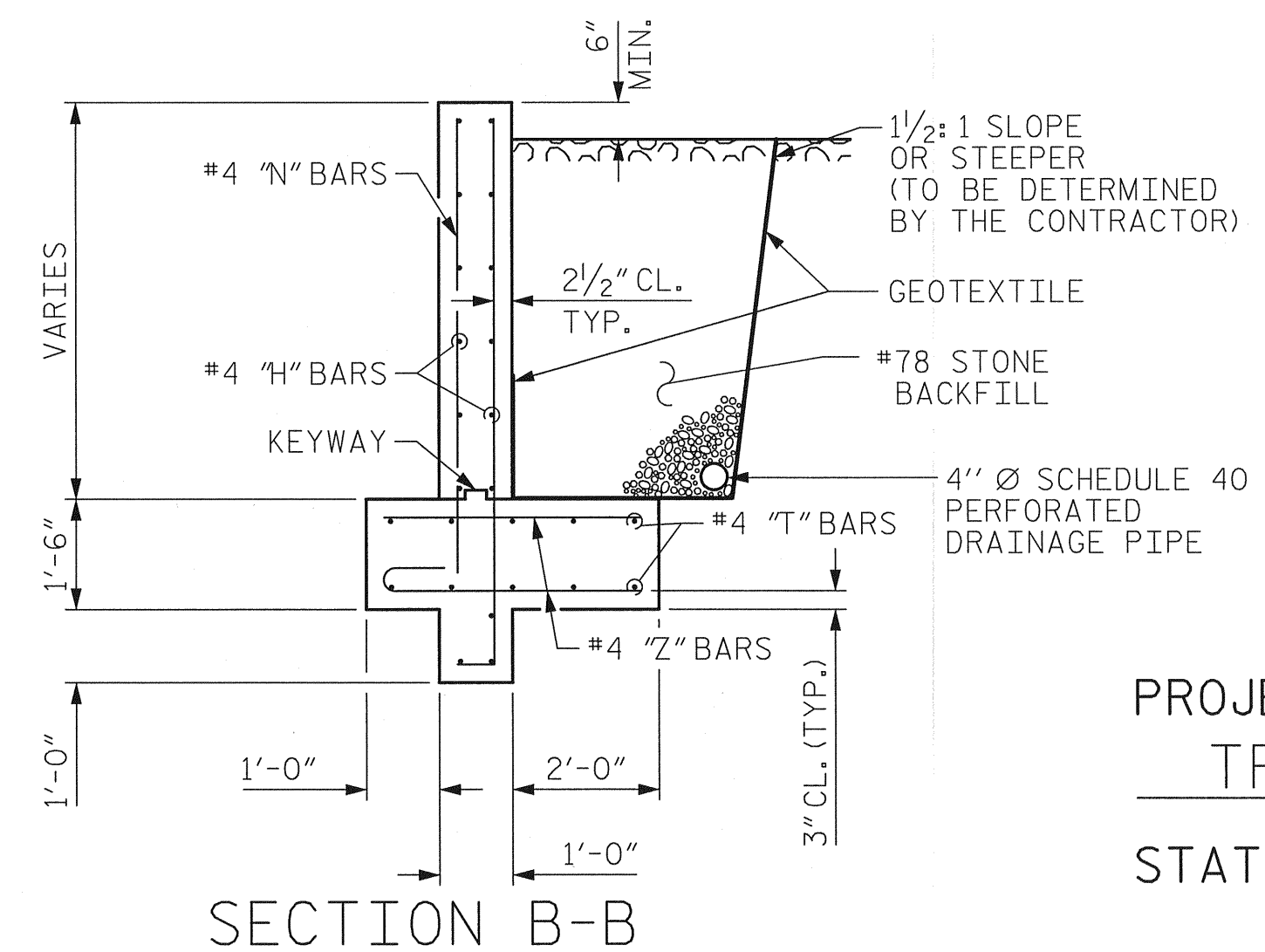
*****SYSTEMTIME*****
 *****DCN*****
 *****USERNAME*****



SECTION A-A

BACKFILL NOTE:

BRIDGE APPROACH FILL FOR ABUTMENT AND WINGWALLS SHALL BE #78 STONE POROUS BACKFILL (3'-0" THICK MIN. DIRECTLY BEHIND WALLS). SEPARATE #78 STONE FROM REMAINING APPROACH FILL USING GEOTEXTILE FABRIC. COST FOR DRAINAGE PIPE AND GEOTEXTILE ASSOCIATED WITH BRIDGE APPROACH FILL SHALL BE INCLUDED IN THE BID PRICE FOR BRIDGE APPROACH FILL. SEE BRIDGE APPROACH FILL SPECIAL PROVISION.

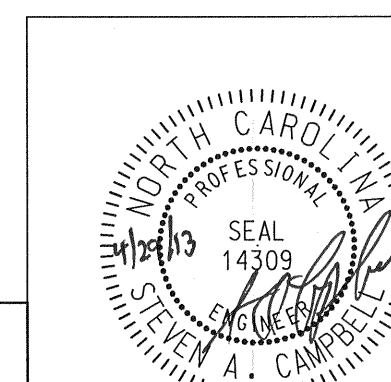


SECTION B-B

PROJECT NO. 43650
 TRANSYLVANIA COUNTY
 STATION: 10+76.00 -L-

STATE OF NORTH CAROLINA
 DEPARTMENT OF TRANSPORTATION
 RALEIGH

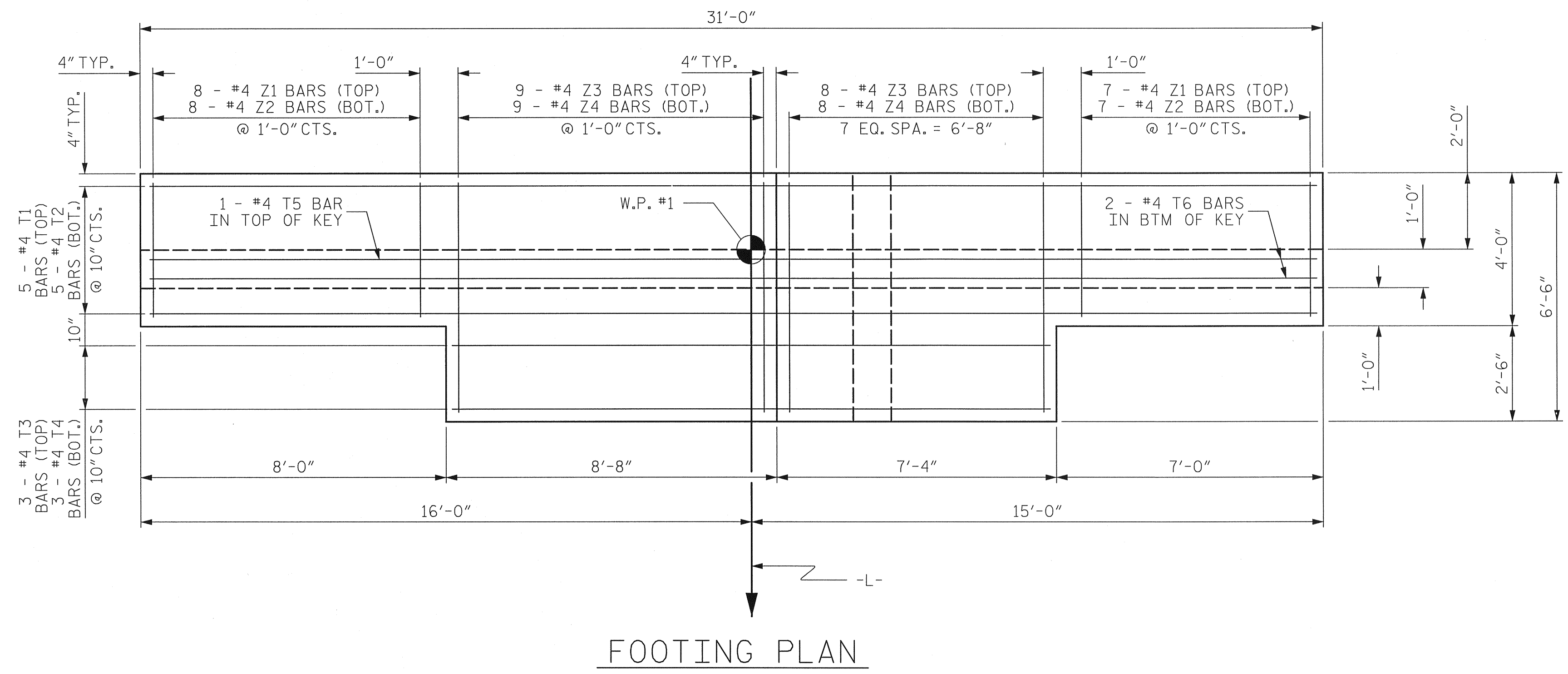
SUBSTRUCTURE
 END BENT No. 1



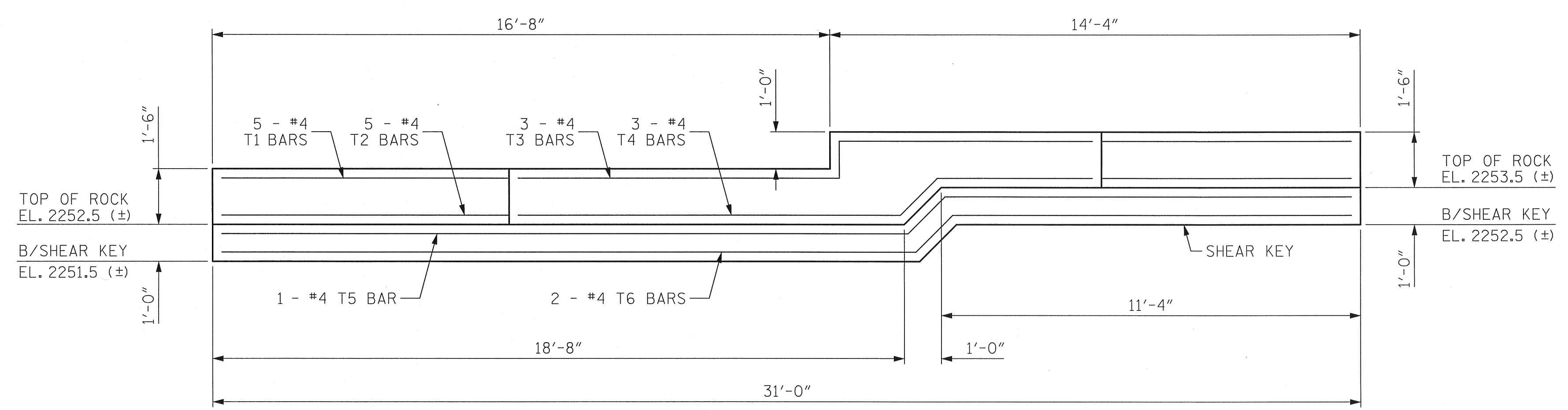
Prepared in the Office of: **Mattern & Craig**
 CONSULTING ENGINEERS - SURVEYORS
 12 BROAD STREET
 ASHEVILLE, NORTH CAROLINA 28601
 (828) 254-2201 - FAX (828) 254-4562

REVISIONS						SHEET NO. S-3
NO.	BY:	DATE:	NO.	BY:	DATE:	
1			3			TOTAL SHEETS 6
2			4			

SCO# 12-09576-01A



FOOTING PLAN



FOOTING ELEVATION

BILL OF MATERIAL FOR END BENT No. 1					
BAR	NO.	SIZE	TYPE	LENGTH	WEIGHT
H1	3	#4	STR	9'-10"	20
H2	1	#4	STR	16'-3"	11
H3	1	#4	STR	30'-7"	21
H4	2	#4	STR	8'-0"	11
H5	1	#4	STR	27'-6"	19
H6	2	#4	STR	23'-6"	32
H7	2	#4	STR	19'-6"	27
H8	2	#4	STR	16'-2"	22
H9	2	#4	STR	8'-11"	12
H10	2	#4	STR	7'-9"	11
H11	6	#4	STR	13'-7"	55
H12	1	#4	STR	7'-3"	5
N1	2	#4	STR	2'-4"	4
N2	2	#4	STR	2'-10"	4
N3	2	#4	STR	2'-4"	4
N4	2	#4	STR	4'-6"	8
N5	2	#4	STR	3'-4"	6
N6	2	#4	STR	5'-0"	8
N7	2	#4	STR	3'-10"	6
N8	2	#4	STR	5'-6"	8
N9	2	#4	STR	4'-4"	6
N10	2	#4	STR	6'-0"	10
N11	2	#4	STR	4'-10"	8
N12	2	#4	STR	6'-6"	10
N13	1	#4	STR	5'-4"	4
N14	1	#4	STR	7'-0"	5
N15	1	#4	STR	5'-10"	4
N16	1	#4	STR	7'-6"	6
N17	1	#4	STR	6'-2"	5
N18	1	#4	STR	7'-11"	6
N19	11	#4	STR	6'-1"	45
N20	12	#4	STR	4'-4"	35
N21	4	#4	STR	5'-1"	14
N22	3	#4	STR	5'-4"	11
N23	1	#4	STR	5'-2"	4
N24	1	#4	STR	6'-11"	5
N25	1	#4	STR	1'-10"	2
N26	1	#4	STR	3'-6"	3

BILL OF MATERIAL FOR END BENT No. 1					
BAR	NO.	SIZE	TYPE	LENGTH	WEIGHT
T1	5	#4	STR	31'-6"	106
T2	5	#4	STR	30'-11"	104
T3	3	#4	STR	16'-6"	34
T4	3	#4	STR	15'-11"	32
T5	1	#4	STR	30'-11"	21
T6	2	#4	STR	30'-11"	42
V20	8	#4	STR	9'-1"	49
V22	7	#4	STR	8'-1"	38
Z1	15	#4	STR	3'-6"	36
Z2	15	#4	STR	4'-0"	41
Z3	17	#4	STR	6'-0"	69
Z4	17	#4	STR	6'-6"	74

REINFORCING STEEL (FOR ONE END BENT) 1125 LBS.

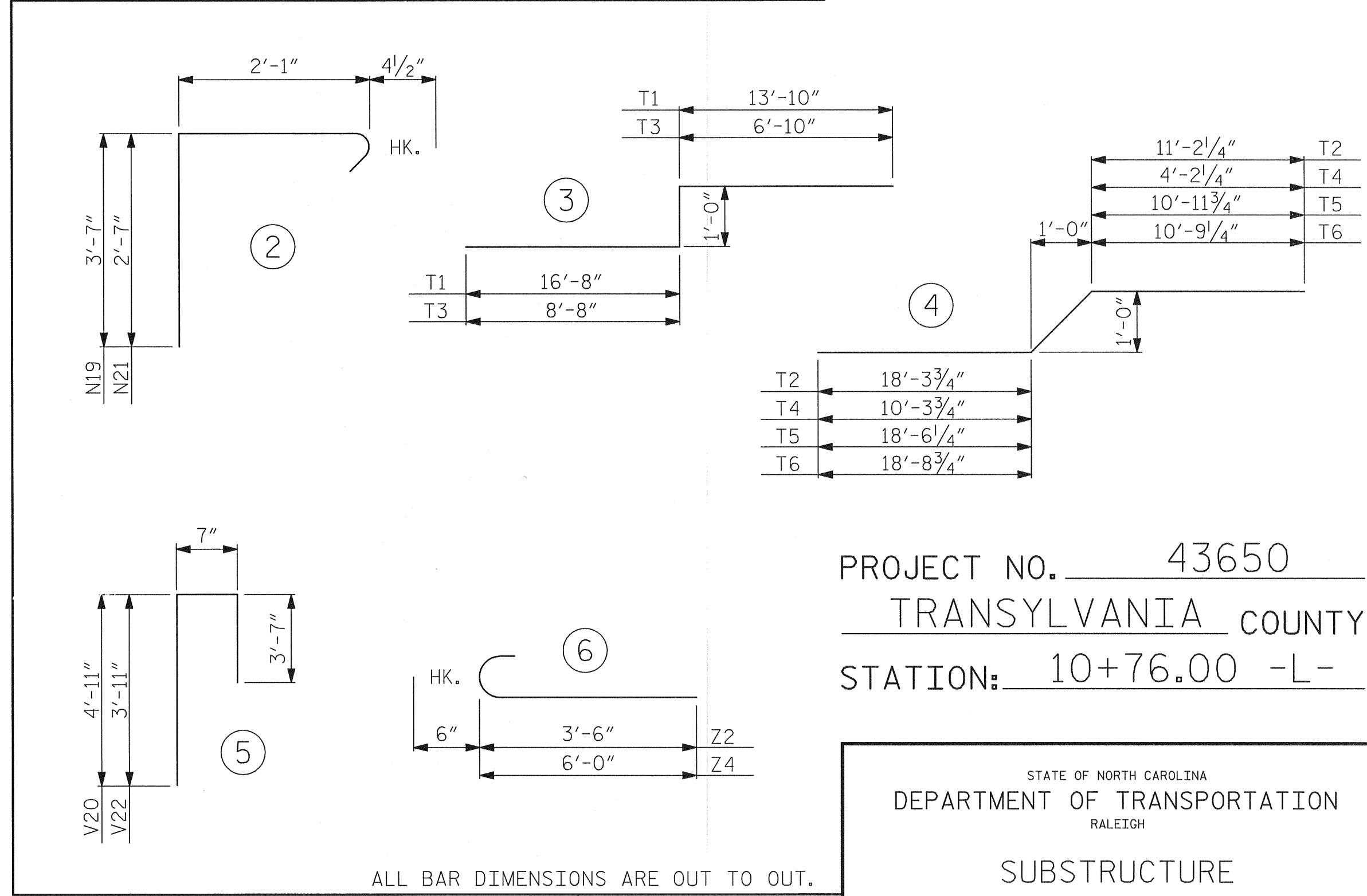
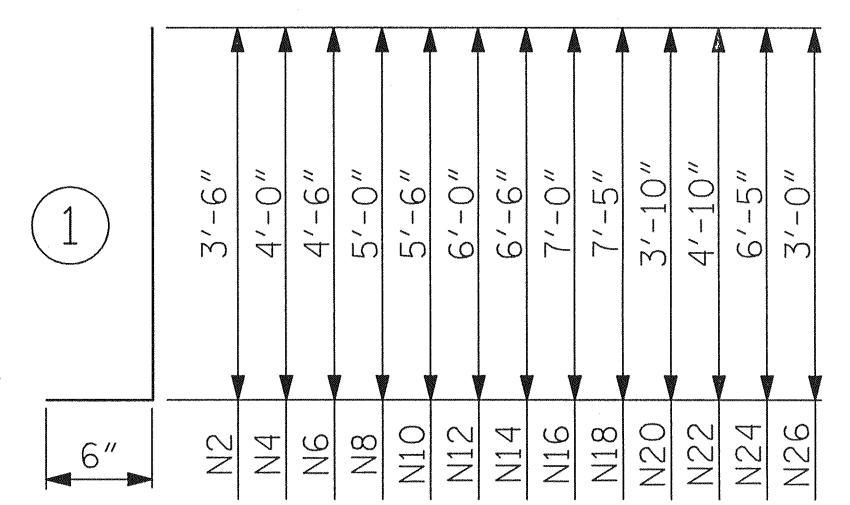
CLASS A CONCRETE BREAKDOWN (FOR ONE END BENT)

POUR #1 SHEAR KEY & FOOTING 10.9 C.Y.

POUR #2 BREASTWALL, BACKWALL & WINGWALLS 6.4 C.Y.

TOTAL CLASS A CONCRETE 17.3 C.Y.

BAR TYPES



ALL BAR DIMENSIONS ARE OUT TO OUT.

PROJECT NO. 43650
 TRANSYLVANIA COUNTY
 STATION: 10+76.00 -L-

STATE OF NORTH CAROLINA
 DEPARTMENT OF TRANSPORTATION
 RALEIGH
 SUBSTRUCTURE
 END BENT No. 1
 DETAILS

REVISIONS						SHEET NO.
NO.	BY:	DATE:	NO.	BY:	DATE:	S-4
1			3			TOTAL SHEETS
2			4			6

ASSEMBLED BY : PFC DATE : 4/13
 CHECKED BY : CMT DATE : 4/13

Prepared in the Office of: **Mattern & Craig**
 CONSULTING ENGINEERS - SURVEYORS
 12 BROAD STREET
 ASHEVILLE, NORTH CAROLINA 28601
 (628) 254-2201 - FAX (628) 254-4562



*****SYSTEMTIME*****
 *****DCN*****
 *****USERNAME*****

SCO# 12-09576-01A

NOTES

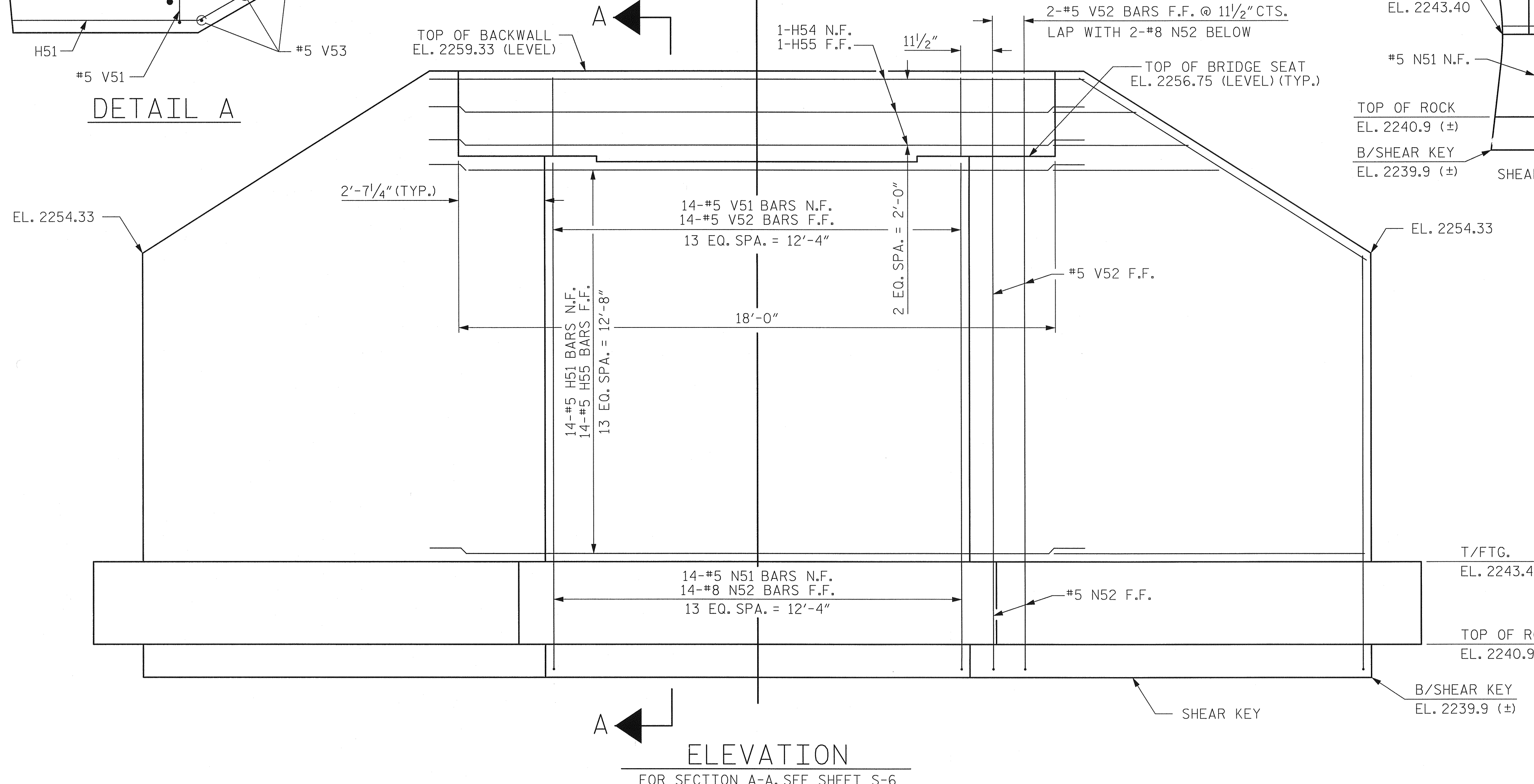
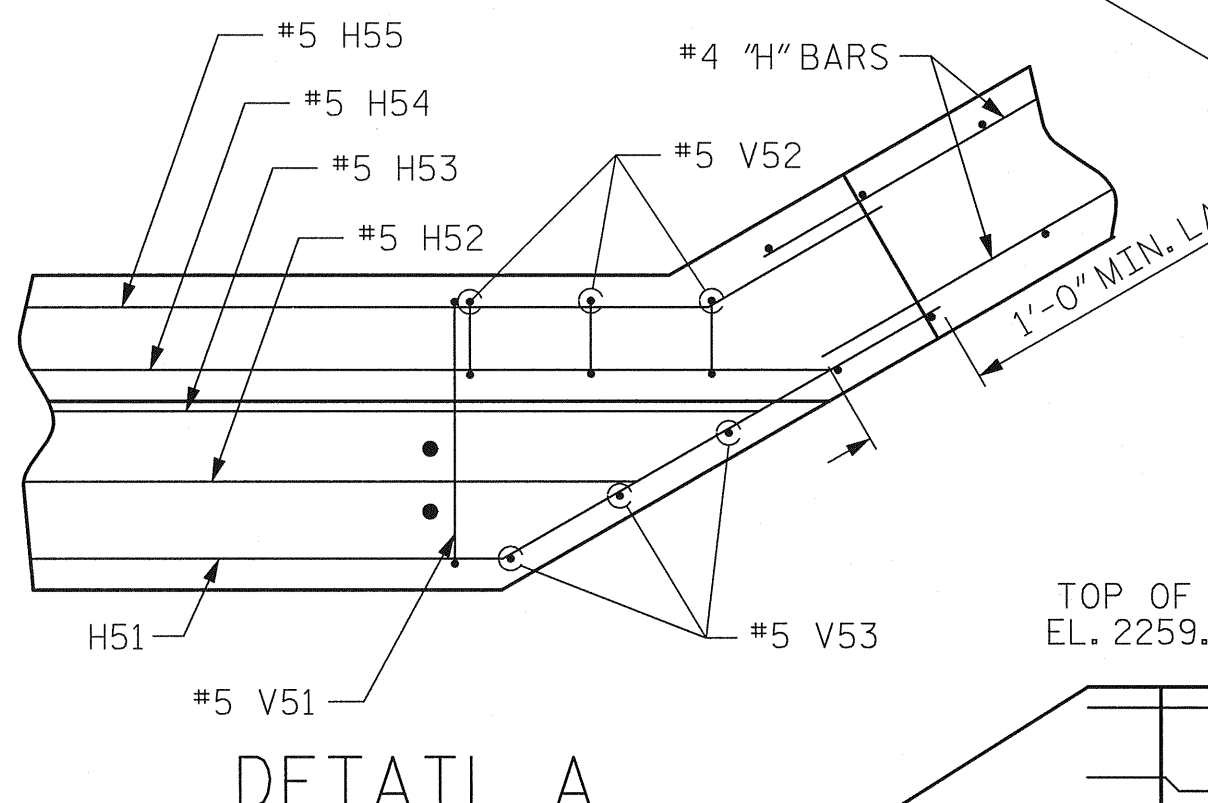
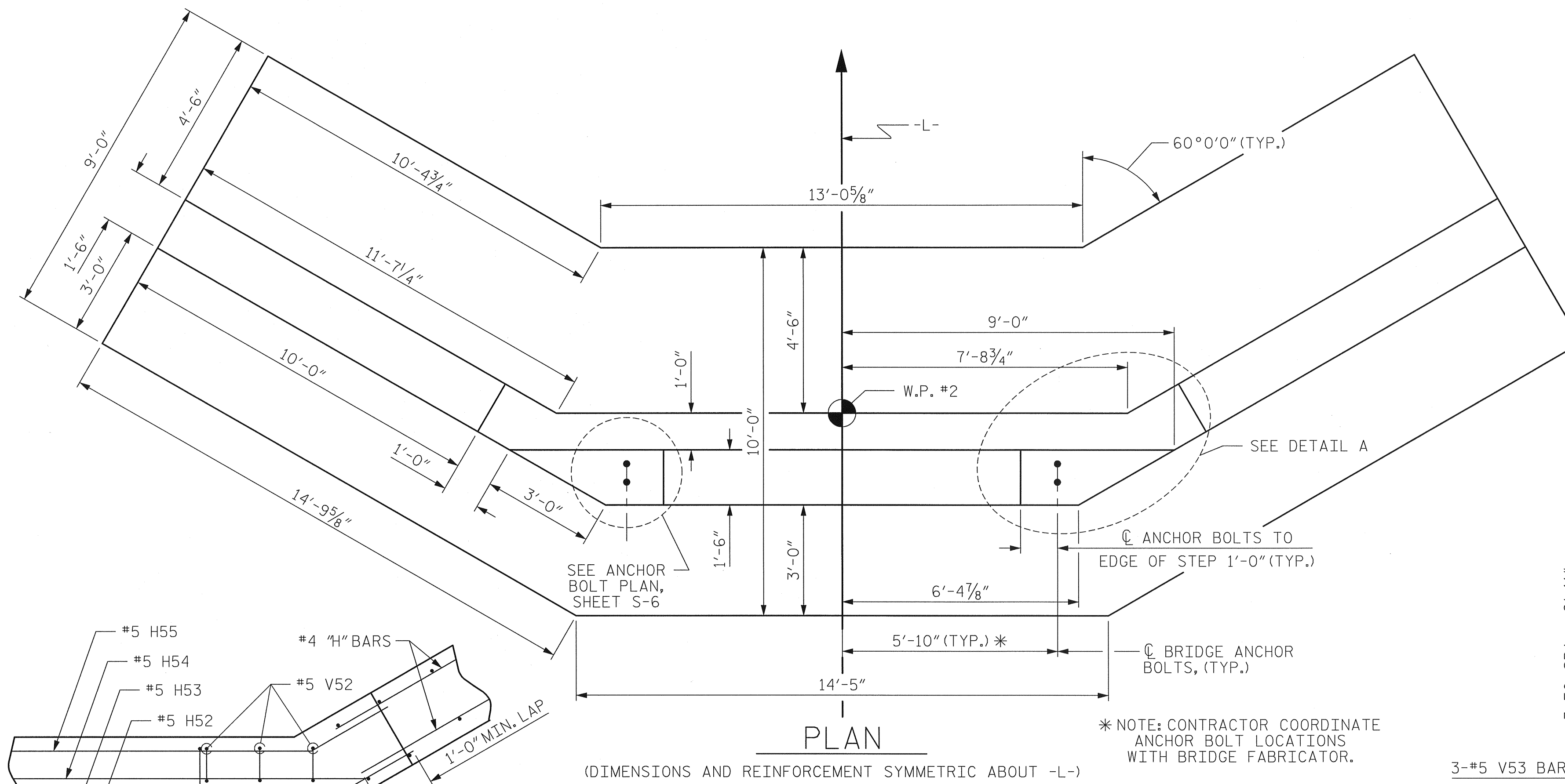
THE END BENTS HAVE BEEN DESIGNED BASED ON PRELIMINARY LOADS. ALL LOADS SHALL BE VERIFIED PRIOR TO CONSTRUCTION. SEE NOTES ON SHEET S-2.

STIRRUPS IN CAP MAY BE SHIFTED AS NECESSARY TO CLEAR ANCHOR BOLTS.

THE TOP SURFACE AREAS OF THE END BENT SHALL BE PROTECTED WITH AN EPOXY PROTECTIVE COATING AND SHALL BE CURED IN ACCORDANCE WITH THE STANDARD SPECIFICATIONS, EXCEPT THE MEMBRANE CURING COMPOUND METHOD SHALL NOT BE USED.

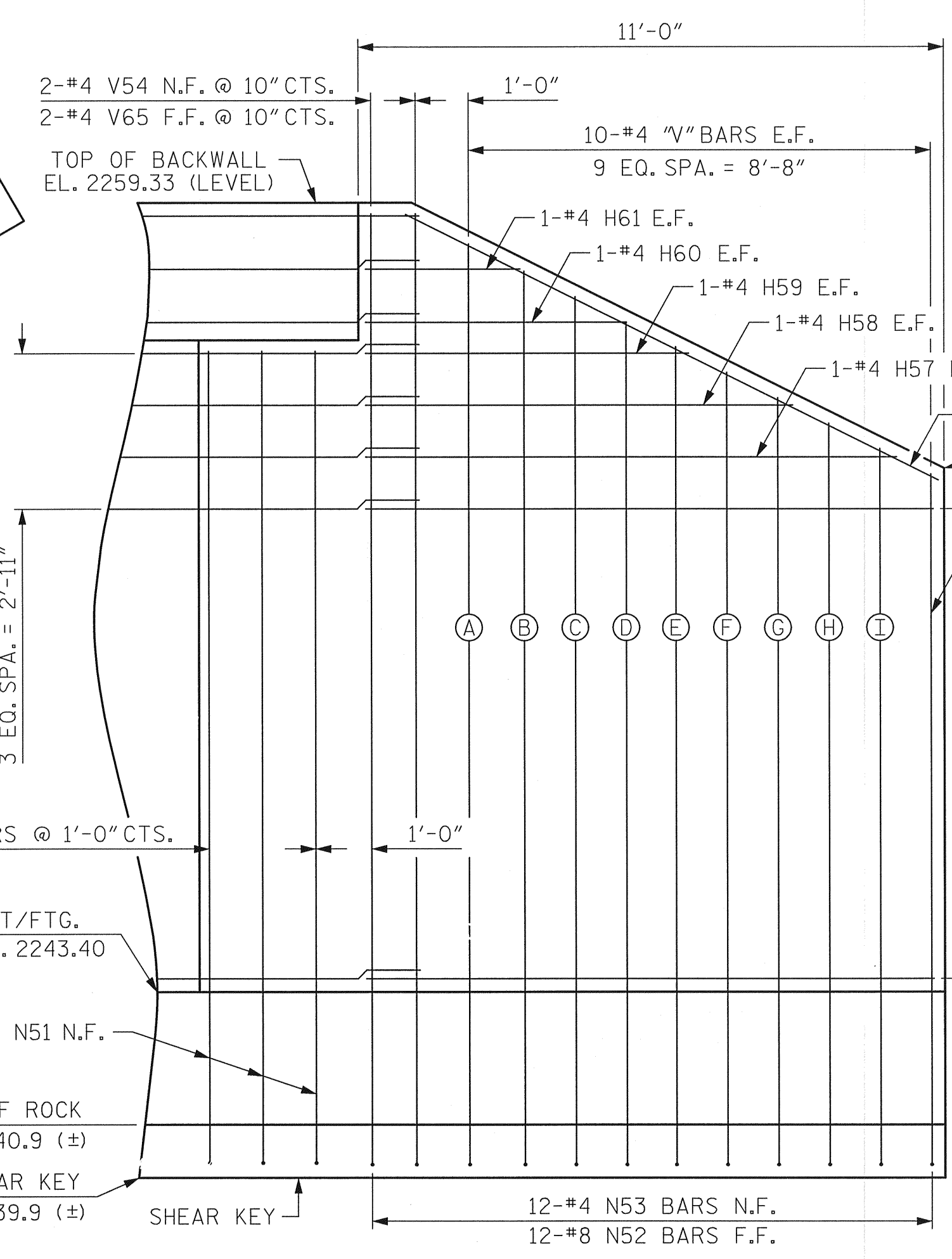
BACKWALL SHALL BE PLACED BEFORE APPLYING THE EPOXY PROTECTIVE COATING.

THE TOP SURFACE OF THE END BENT EXCEPT THE BRIDGE BEARING SEAT BUILDUPS SHALL BE SLOPED TRANSVERSELY FROM THE FILL FACE TO THE FACE OF THE BREASTWALL AT THE RATE OF 2%.



ASSEMBLED BY : PFC DATE : 4/13
 CHECKED BY : CMT DATE : 4/13

*****SYSTEM*****
 *****DCN*****
 *****USERNAME*****



TYPICAL WINGWALL ELEVATION
 FOR SECTION B-B, SEE SHEET S-6.
 (WINGWALL REINFORCEMENT IS SYMMETRIC ABOUT -L-)

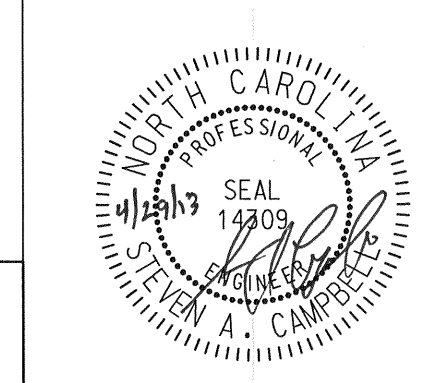
- A - V55 N.F., V66 F.F.
- B - V56 N.F., V67 F.F.
- C - V57 N.F., V68 F.F.
- D - V58 N.F., V69 F.F.
- E - V59 N.F., V70 F.F.
- F - V60 N.F., V71 F.F.
- G - V61 N.F., V72 F.F.
- H - V62 N.F., V73 F.F.
- I - V63 N.F., V74 F.F.

PROJECT NO. 43650
 TRANSYLVANIA COUNTY
 STATION: 10+76.00 -L-

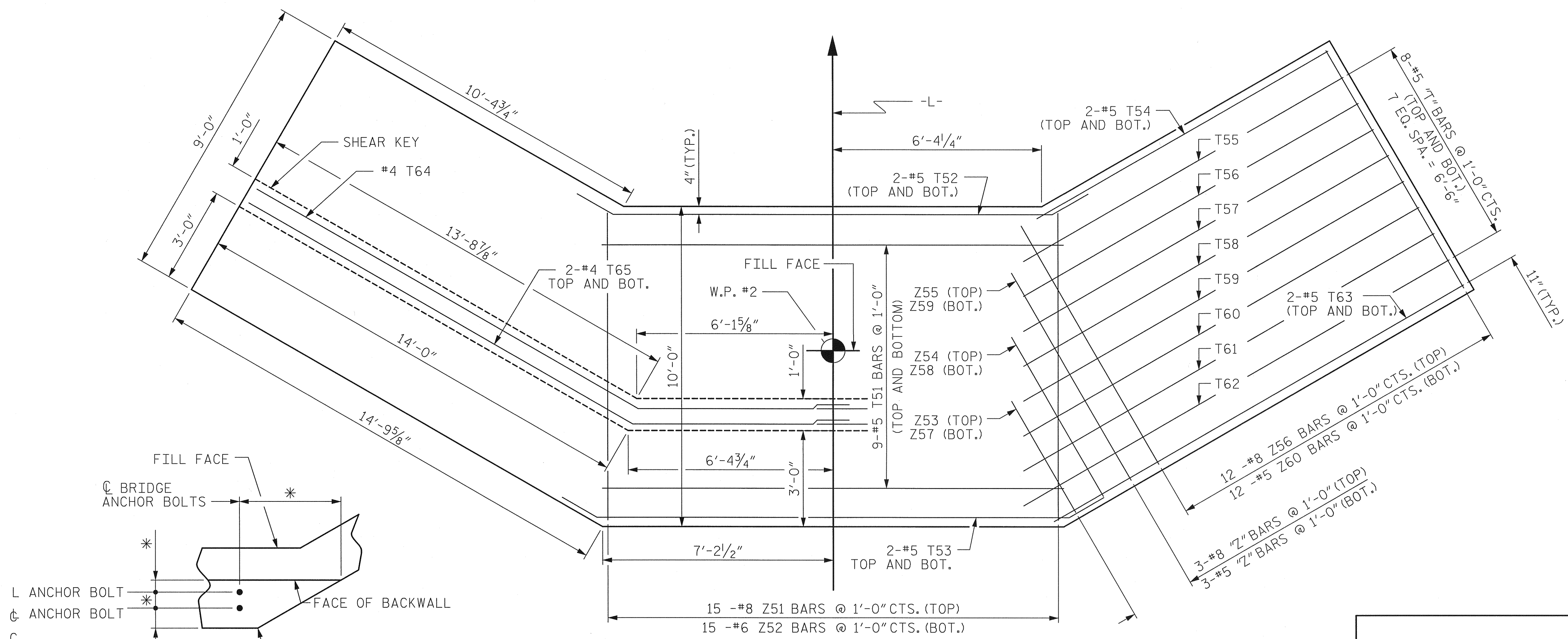
STATE OF NORTH CAROLINA
 DEPARTMENT OF TRANSPORTATION
 RALEIGH

SUBSTRUCTURE
 END BENT No. 2

REVISIONS						SHEET NO. S-5
NO.	BY:	DATE:	NO.	BY:	DATE:	
1			3			TOTAL SHEETS 6
2			4			

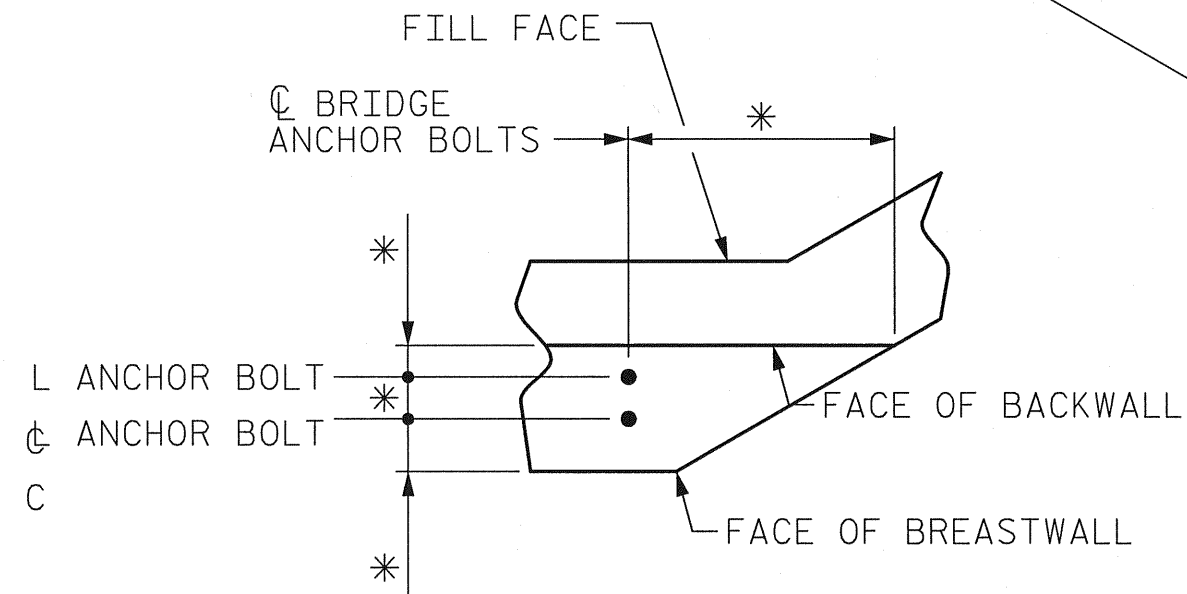


Prepared in the
 Office of
Mattern & Craig
 CONSULTING ENGINEERS - SURVEYORS
 12 BROAD STREET
 ASHEVILLE, NORTH CAROLINA 28601
 (828) 254-2201 - FAX (828) 254-4662



FOOTING PLAN

(FOOTING REINFORCEMENT AND SHEAR KEY SYMMETRIC ABOUT -L-)

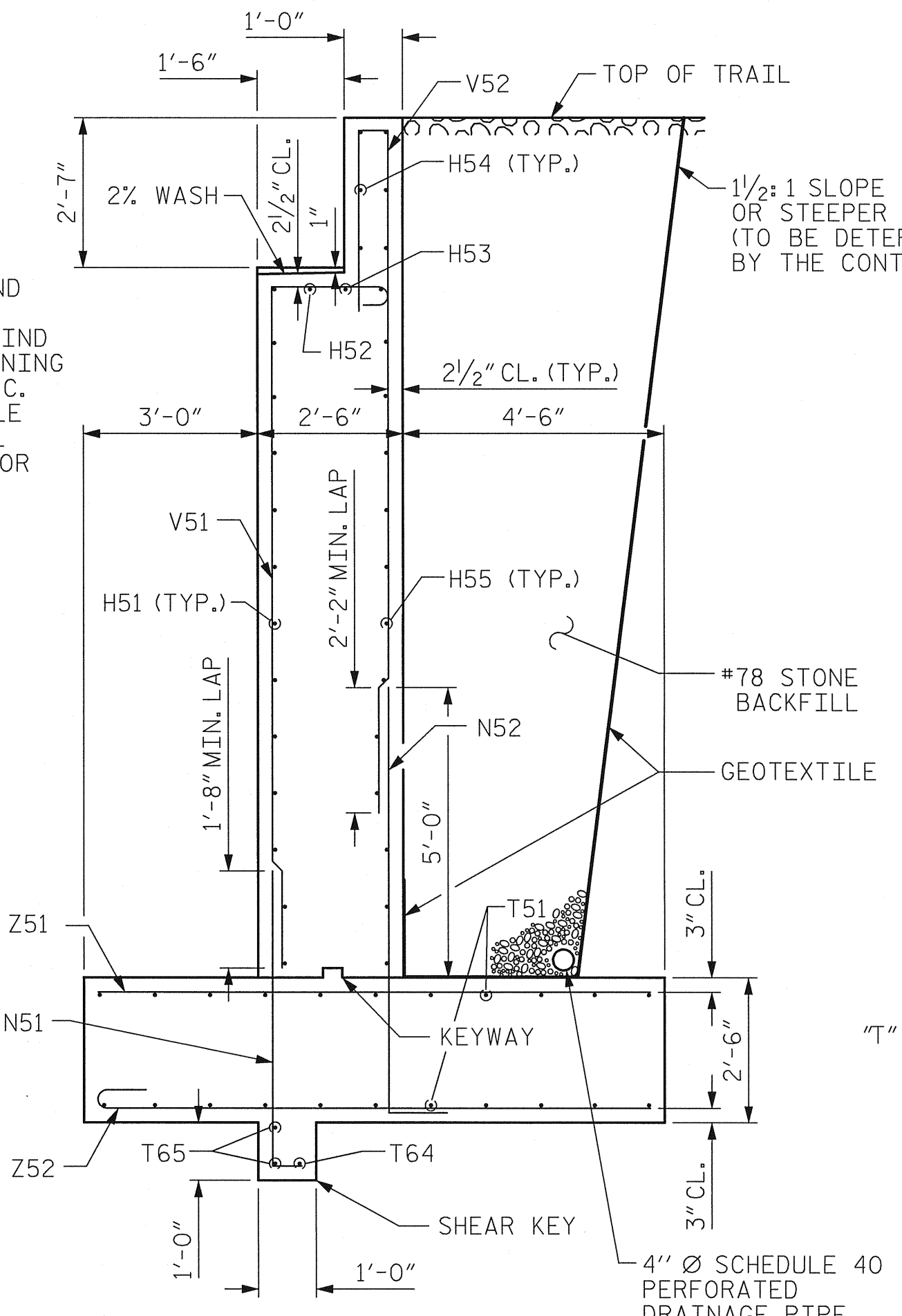


ANCHOR BOLT PLAN

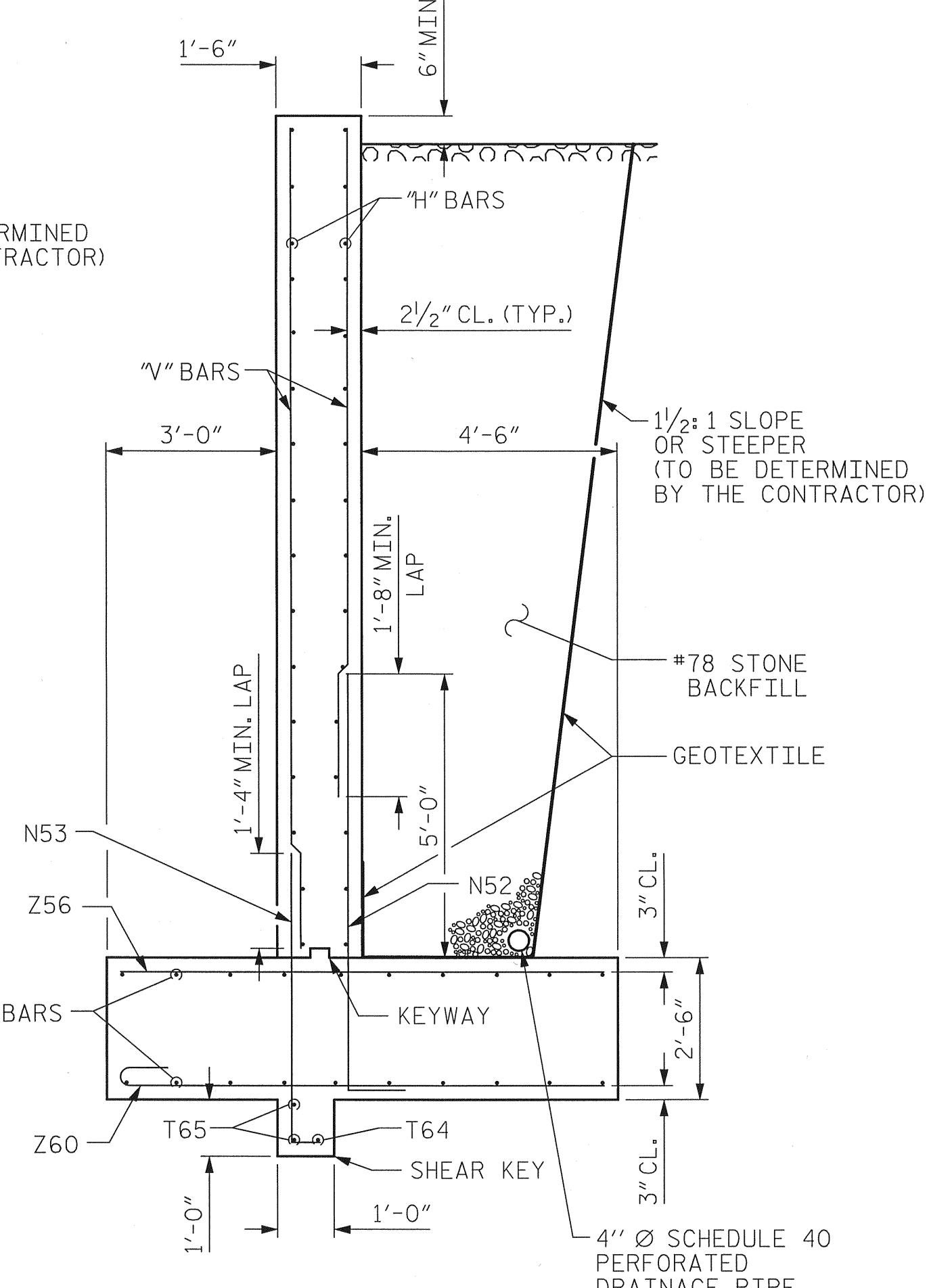
*NOTE: CONTRACTOR COORDINATE ANCHOR BOLT LOCATIONS WITH BRIDGE FABRICATOR.

BACKFILL NOTE:

BRIDGE APPROACH FILL FOR ABUTMENT AND WINGWALLS SHALL BE #78 STONE POROUS BACKFILL (3'-0" THICK MIN. DIRECTLY BEHIND WALLS). SEPARATE #78 STONE FROM REMAINING APPROACH FILL USING GEOTEXTILE FABRIC. COST FOR DRAINAGE PIPE AND GEOTEXTILE ASSOCIATED WITH BRIDGE APPROACH FILL SHALL BE INCLUDED IN THE BID PRICE FOR BRIDGE APPROACH FILL. SEE BRIDGE APPROACH FILL SPECIAL PROVISION.



SECTION A-A



SECTION B-B

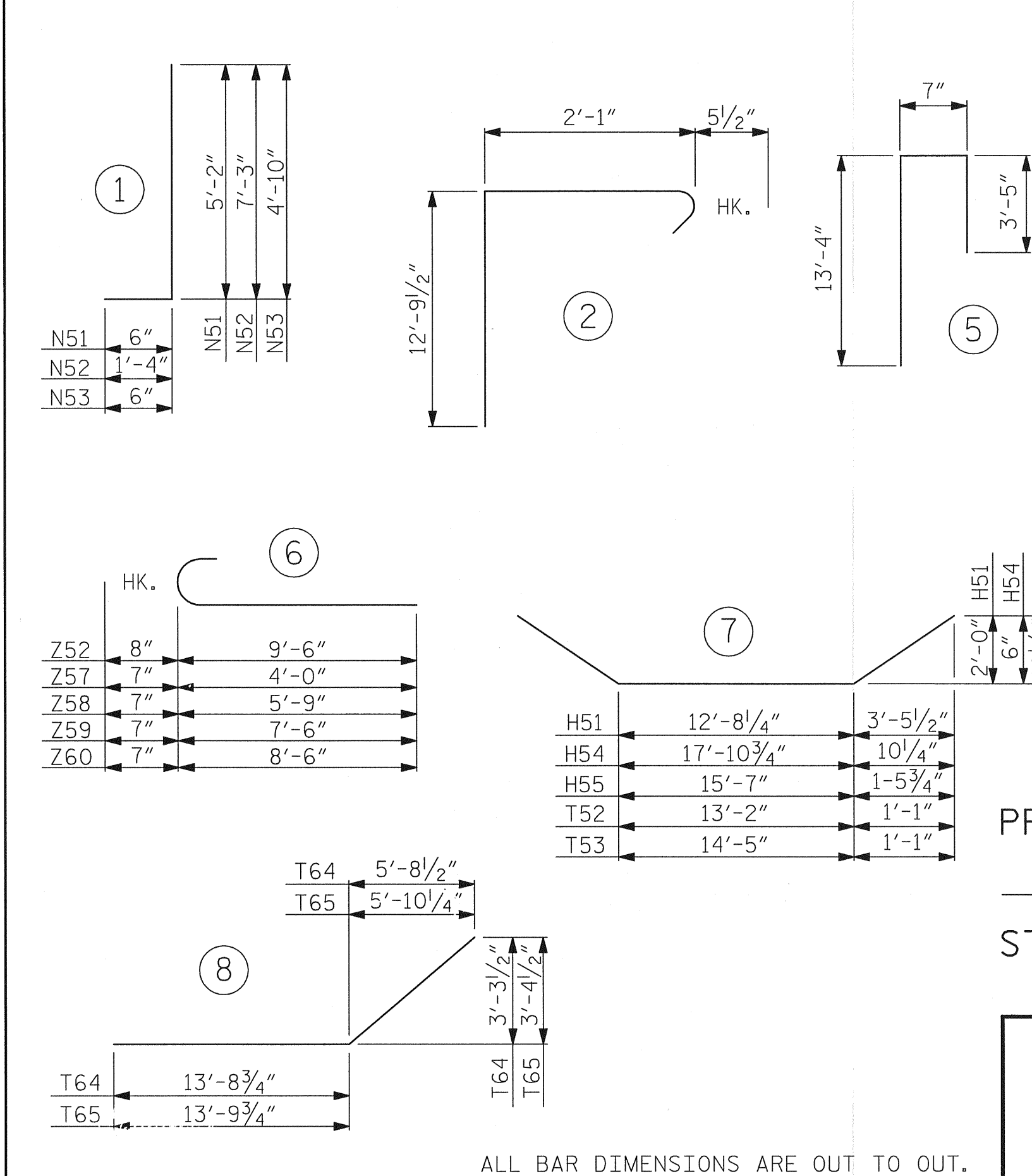
BILL OF MATERIAL FOR END BENT No. 2

BAR NO.	SIZE	TYPE	LENGTH	WEIGHT	
H51	14	#5	7	20'-8"	302
H52	1	#5	STR	14'-9"	16
H53	1	#5	STR	16'-8"	18
H54	3	#5	7	19'-11"	63
H55	14	#5	7	19'-0"	278
H56	44	#4	STR	10'-10"	319
H57	4	#4	STR	10'-0"	27
H58	4	#4	STR	8'-0"	22
H59	4	#4	STR	6'-1"	17
H60	4	#4	STR	4'-11"	14
H61	4	#4	STR	2'-11"	8
H62	4	#4	STR	11'-2"	30
N51	20	#5	1	5'-8"	119
N52	42	#8	1	8'-7"	963
N53	24	#4	1	5'-4"	86
T51	18	#5	STR	14'-5"	271
T52	2	#5	7	15'-8"	33
T53	2	#5	7	16'-11"	36
T54	4	#5	STR	10'-6"	44
T55	4	#5	STR	11'-7"	49
T56	4	#5	STR	12'-1"	51
T57	4	#5	STR	12'-8"	53
T58	4	#5	STR	13'-2"	55
T59	4	#5	STR	13'-9"	58
T60	4	#5	STR	14'-3"	60
T61	4	#5	STR	14'-10"	62
T62	4	#5	STR	15'-5"	65
T63	4	#5	STR	14'-9"	62
T64	2	#4	8	20'-4"	28
T65	4	#4	8	20'-7"	55

BILL OF MATERIAL FOR END BENT No. 2

BAR NO.	SIZE	TYPE	LENGTH	WEIGHT	
V51	14	#5	2	15'-4"	224
V52	18	#5	5	17'-4"	326
V53	6	#5	STR	12'-9"	80
V54	4	#4	STR	15'-6"	42
V55	2	#4	STR	14'-11"	20
V56	2	#4	STR	14'-5"	20
V57	2	#4	STR	13'-11"	19
V58	2	#4	STR	13'-6"	19
V59	2	#4	STR	13'-0"	18
V60	2	#4	STR	12'-6"	17
V61	2	#4	STR	12'-1"	17
V62	2	#4	STR	11'-7"	16
V63	2	#4	STR	11'-1"	15
V64	2	#4	STR	10'-7"	15
V65	4	#4	STR	12'-4"	33
V66	2	#4	STR	11'-9"	16
V67	2	#4	STR	11'-3"	16
V68	2	#4	STR	10'-9"	15
V69	2	#4	STR	10'-4"	14
V70	2	#4	STR	9'-10"	14
V71	2	#4	STR	9'-4"	13
V72	2	#4	STR	8'-11"	12
V73	2	#4	STR	8'-5"	12
V74	2	#4	STR	7'-11"	11
V75	2	#4	STR	7'-5"	10
Z51	15	#8	STR	9'-6"	381
Z52	15	#6	6	10'-2"	230
Z53	2	#8	STR	4'-0"	22
Z54	2	#8	STR	5'-9"	31
Z55	2	#8	STR	7'-6"	41
Z56	24	#8	STR	8'-6"	545
Z57	2	#5	6	4'-7"	10
Z58	2	#5	6	6'-4"	14
Z59	2	#5	6	8'-1"	17
Z60	24	#5	6	9'-1"	228

BAR TYPES



REINFORCING STEEL (FOR ONE END BENT) 5797 LBS.

CLASS A CONCRETE BREAKDOWN (FOR END BENT No. 2)

POUR #1 FOOTING	35.6 C.Y.
POUR #2 UPPER PART OF WINGS AND WALLS	33.7 C.Y.
TOTAL CLASS A CONCRETE	69.3 C.Y.

PROJECT NO. 43650
 TRANSYLVANIA COUNTY
 STATION: 10+76.00 -L-

STATE OF NORTH CAROLINA
 DEPARTMENT OF TRANSPORTATION
 RALEIGH

SUBSTRUCTURE

END BENT No. 2

DETAILS

REVISIONS						SHEET NO.
NO.	BY:	DATE:	NO.	BY:	DATE:	S-6
1			3			TOTAL SHEETS 6
2			4			

ASSEMBLED BY : PFC DATE : 4/13
 CHECKED BY : CMT DATE : 4/13

Prepared in the Office of: **Mattern & Craig**
 CONSULTING ENGINEERS - SURVEYORS
 12 BROAD STREET
 ASHEVILLE, NORTH CAROLINA 28801
 (828) 254-2201 - FAX (828) 254-4662

