

**This electronic collection of documents is provided
for the convenience of the user
and is Not a Certified Document –**

**The documents contained herein were originally issued
and sealed by the individuals whose names and license
numbers appear on each page, on the dates appearing
with their signature on that page.**

**This file or an individual page
shall not be considered a certified document.**

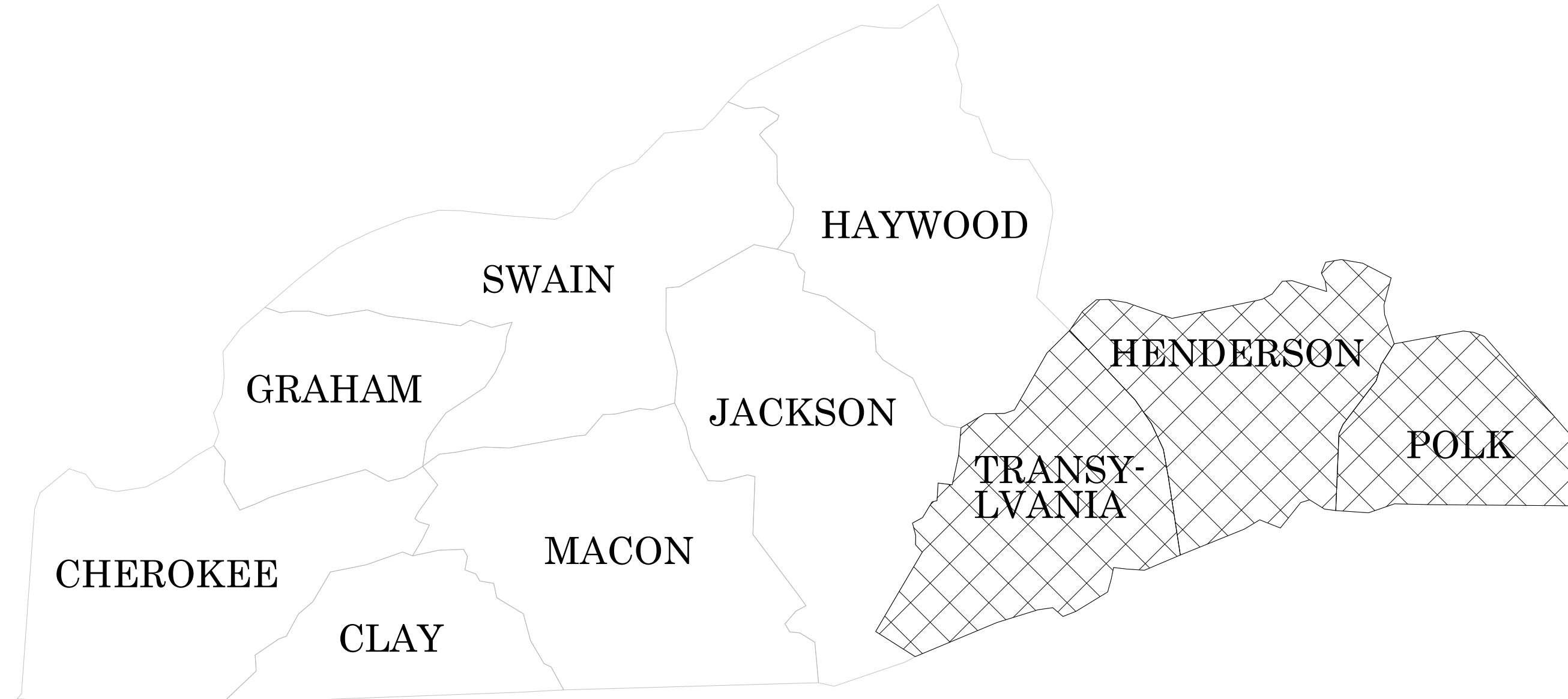
STATE OF NORTH CAROLINA DIVISION OF HIGHWAYS

DIVISION 14

LOCATION: *VARIOUS LOCATIONS ACROSS
DISTRICT 1 IN DIVISION 14*

TYPE OF WORK: *IDIQ ON-CALL CONCRETE INSTALLATION,
REPAIR & MAINTENANCE SERVICES*

STATE	STATE PROJECT REFERENCE NO.	SHEET NO.	TOTAL SHEETS
N.C.	DN12107153	1	3
STATE PROJ. NO.	F. A. PROJ. NO.	DESCRIPTION	
14.104511			
14.204511			
14.107511			
14.207511			
14.108811			
14.208811			



CONTRACT: DN12107153

Prepared in the Office of:
DIVISION OF HIGHWAYS
253 WEBSTER RD., SYLVA NC, 28779

2024 STANDARD SPECIFICATIONS

RIGHT OF WAY DATE: N/A

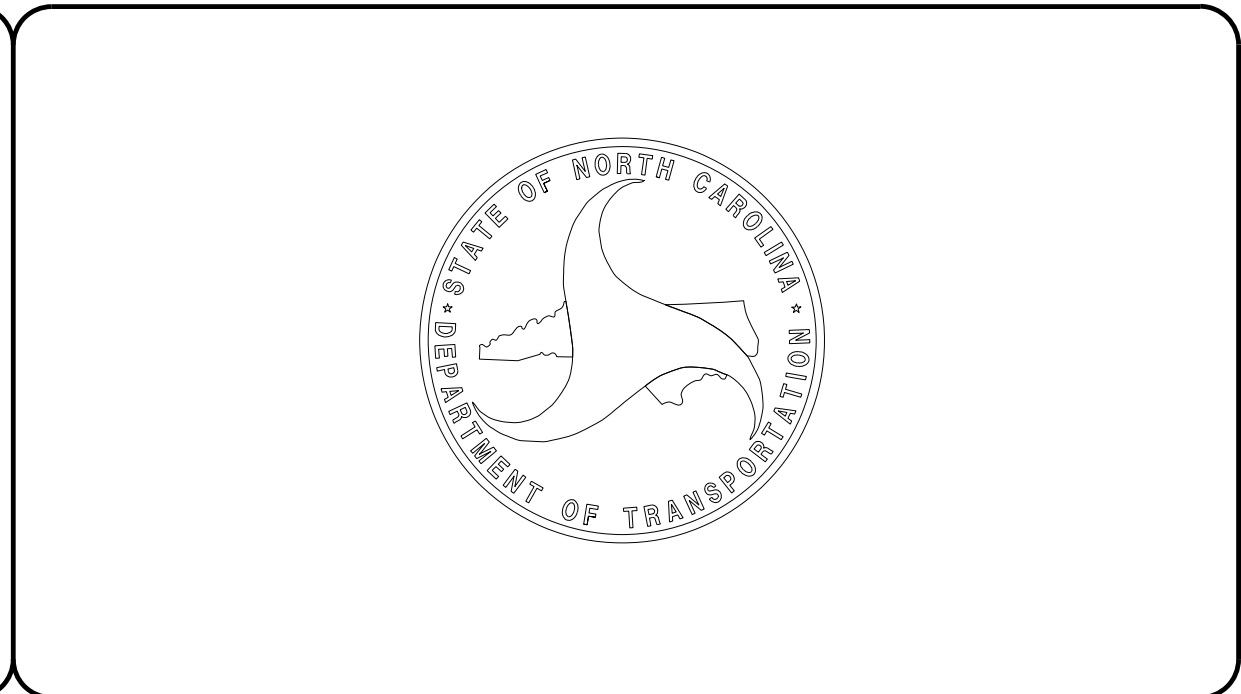
LETTING DATE: JANUARY 11, 2024

TROY WILSON, P.E.
PROJECT ENGINEER

GARRETT B HIGDON, P.E.
PROJECT DESIGN ENGINEER

ROADWAY DESIGN ENGINEER

SIGNATURE: _____ P.E.



2024 ROADWAY ENGLISH STANDARD DRAWINGS

The following Roadway Standards as appear in "Roadway Standard Drawings" Highway Design Branch - N. C. Department of Transportation - Raleigh, N. C., Dated January 16, 2024 are applicable to this project and by reference hereby are considered a part of these plans:

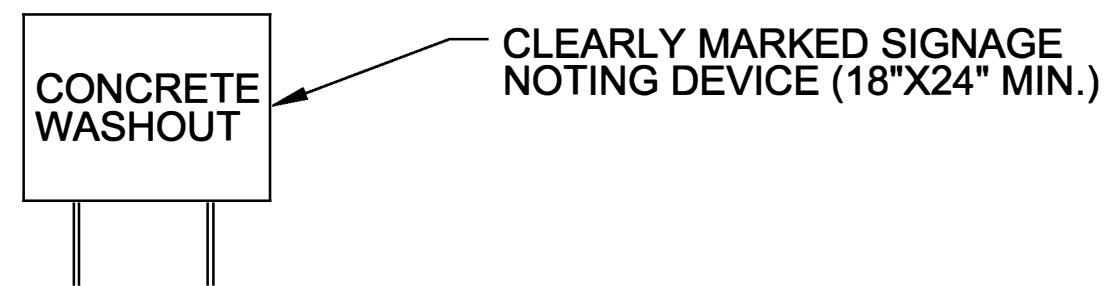
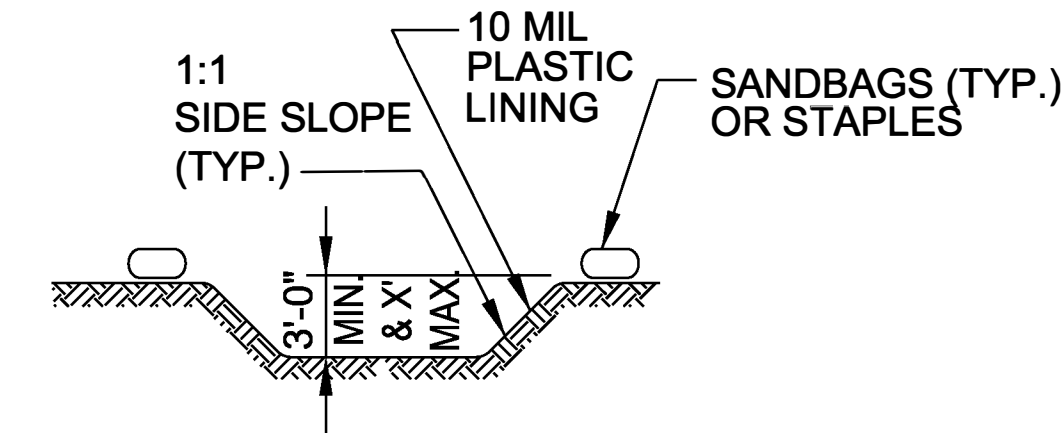
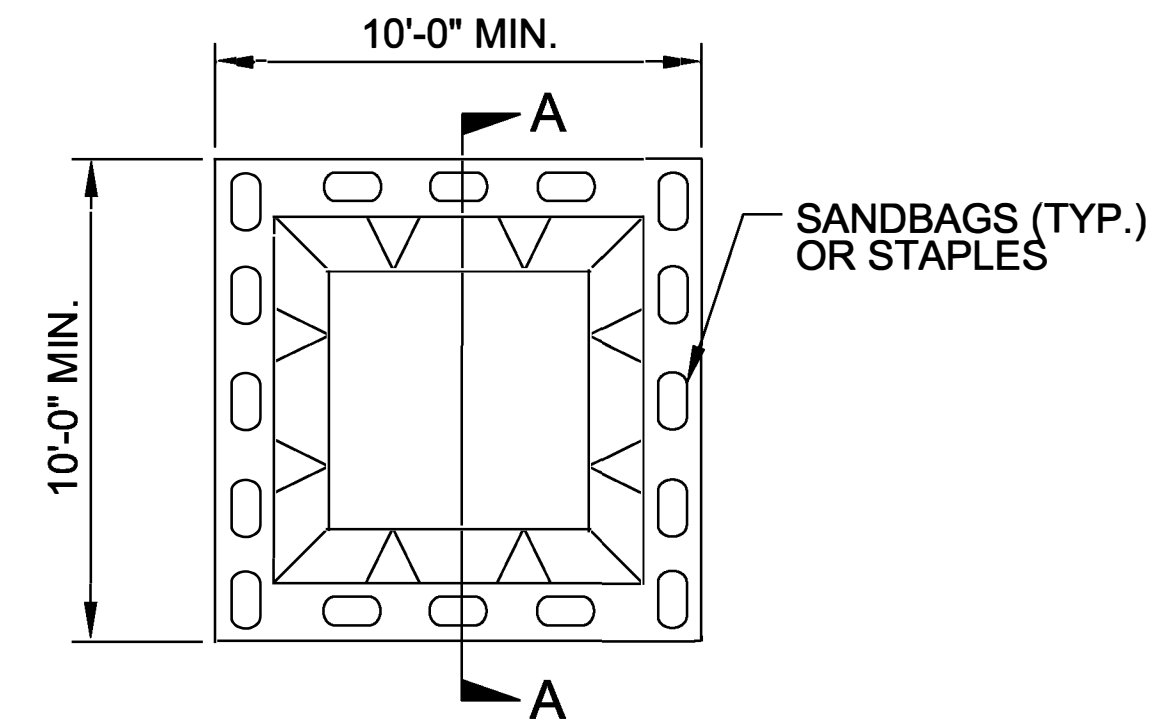
STD.NO.	TITLE
DIVISION 8 - INCIDENTALS	
846.01	Concrete Curb, Gutter and Curb & Gutter
848.01	Concrete Sidewalk
848.02	Driveway Turnout - Radius Type
848.03	Driveway Turnout - Drop Curb Type
848.04	Street Turnout
848.05	Curb Ramp - Proposed Curb & Gutter
848.06	Curb Ramp - Existing Curb & Gutter
850.01	Concrete Paved Ditches
852.01	Concrete Islands
852.02	Concrete Mountable Median - for Use with Rigid or Flexible Pavement
852.10	Median Construction - with Curb and Gutter
DIVISION 11 - WORK ZONE TRAFFIC CONTROL	
1101.01	WORK ZONE WARNING SIGNS
1101.02	TEMPORARY LANE CLOSURES
1101.03	TEMPORARY ROAD CLOSURES
1101.04	TEMPORARY SHOULDER CLOSURES
1101.05	WORK ZONE VEHICLE ACCESSES
1101.06	WARNING SIGNS FOR BLASTING ZONES
1101.11	TRAFFIC CONTROL DESIGN TABLES
1110.01	STATIONARY WORK ZONE SIGNS
1110.02	PORTABLE WORK ZONE SIGNS
1115.01	FLASHING ARROW BOARDS
1130.01	DRUMS
1135.01	CONES
1145.01	BARRICADES
1150.01	FLAGGING DEVICES
1160.01	TEMPORARY CRASH CUSHION
1165.01	TRUCK MOUNTED ATTENUATOR
1170.01	PORTABLE CONCRETE BARRIER
1180.01	SKINNY - DRUMS

INDEX OF SHEETS

SHEET NUMBER	SHEET
1	TITLE SHEET
1A	INDEX OF SHEETS AND STANDARD DRAWINGS
2B-1	CONCRETE WASHOUT STRUCTURE

PROJECT REFERENCE NO.	SHEET NO.
DN12107153	2B-1
RW SHEET NO.	
ROADWAY DESIGN ENGINEER	HYDRAULICS ENGINEER

ONSITE CONCRETE WASHOUT STRUCTURE WITH LINER



SECTION A-A

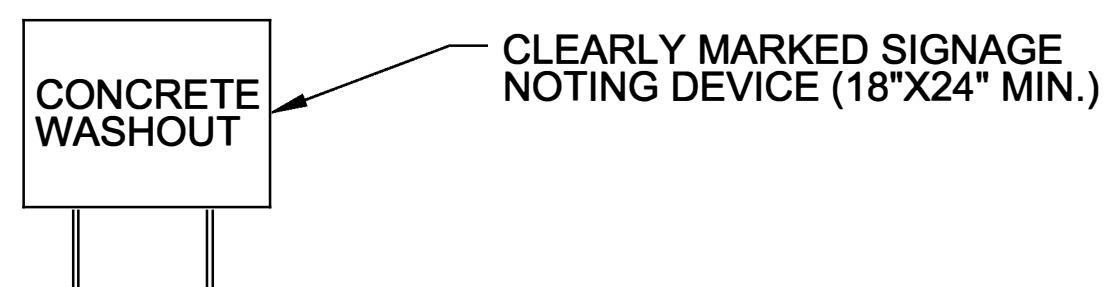
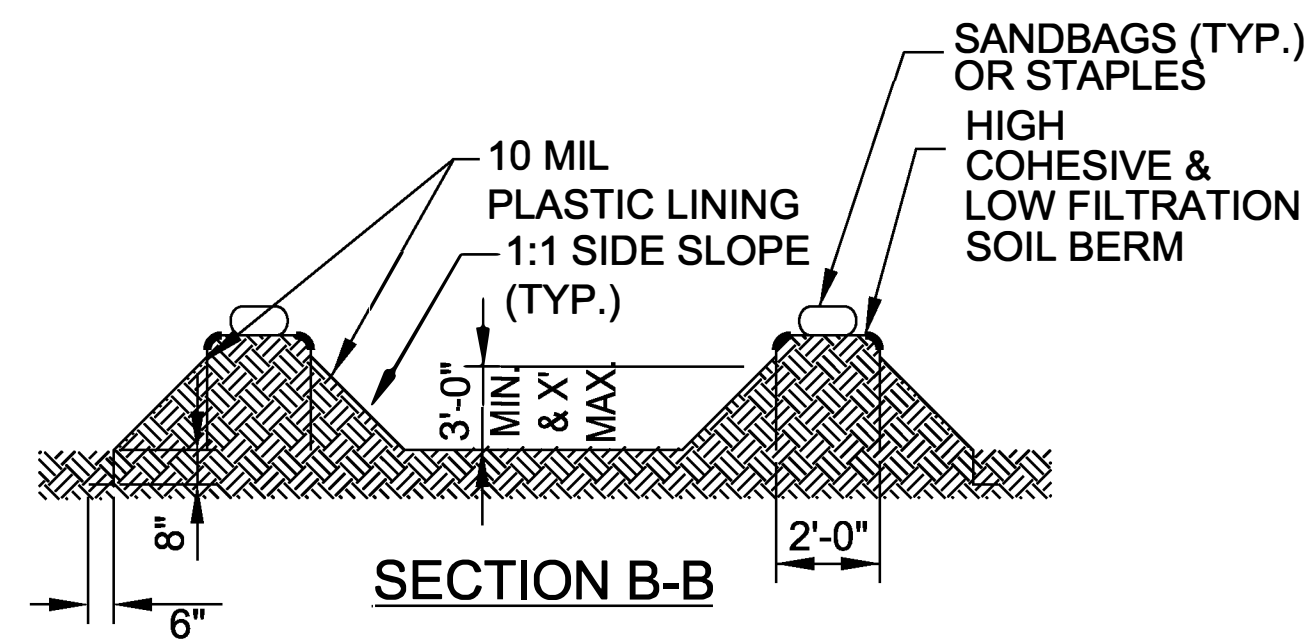
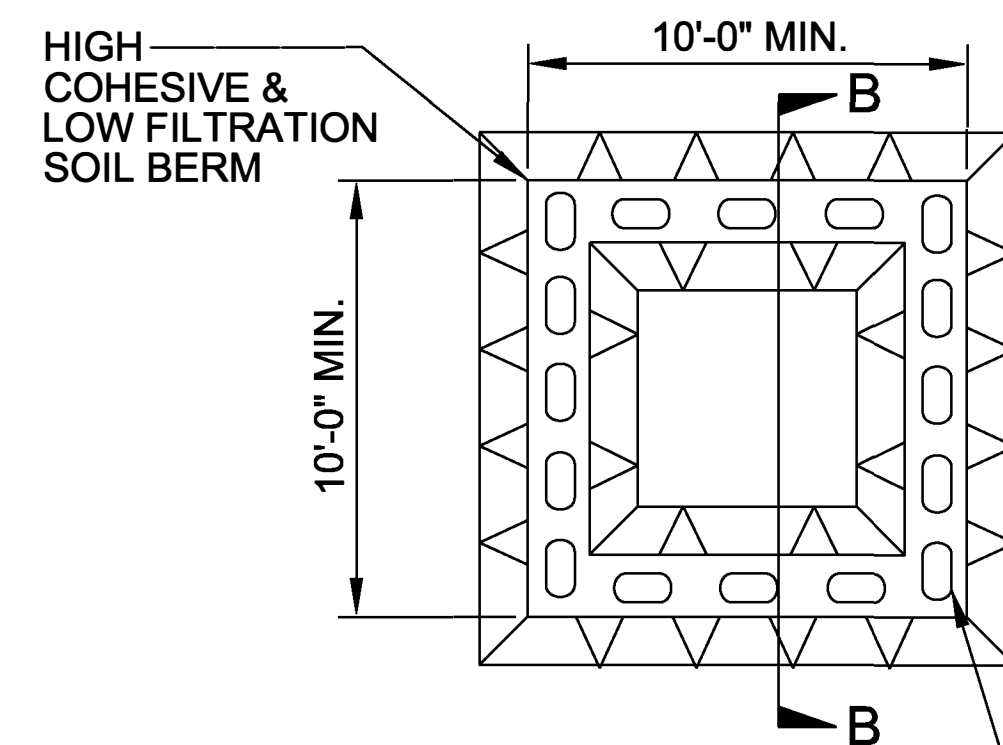
NOTES:

1. ACTUAL LOCATION DETERMINED IN FIELD
2. THE CONCRETE WASHOUT STRUCTURES SHALL BE MAINTAINED WHEN THE LIQUID AND/OR SOLID REACHES 75% OF THE STRUCTURES CAPACITY.
3. CONCRETE WASHOUT STRUCTURE NEEDS TO BE CLEARLY MARKED WITH SIGNAGE NOTING DEVICE.

PLAN

BELOW GRADE WASHOUT STRUCTURE

NOT TO SCALE



NOTES:

1. ACTUAL LOCATION DETERMINED IN FIELD
2. THE CONCRETE WASHOUT STRUCTURES SHALL BE MAINTAINED WHEN THE LIQUID AND/OR SOLID REACHES 75% OF THE STRUCTURES CAPACITY TO PROVIDE ADEQUATE HOLDING CAPACITY WITH A MINIMUM 12 INCHES OF FREEBOARD.
3. CONCRETE WASHOUT STRUCTURE NEEDS TO BE CLEARLY MARKED WITH SIGNAGE NOTING DEVICE.

PLAN

ABOVE GRADE WASHOUT STRUCTURE

NOT TO SCALE