

**This electronic collection of documents is provided
for the convenience of the user
and is Not a Certified Document –**

**The documents contained herein were originally issued
and sealed by the individuals whose names and license
numbers appear on each page, on the dates appearing
with their signature on that page.**

**This file or an individual page
shall not be considered a certified document.**

STATE OF NORTH CAROLINA
DIVISION OF HIGHWAYS

CLAY COUNTY

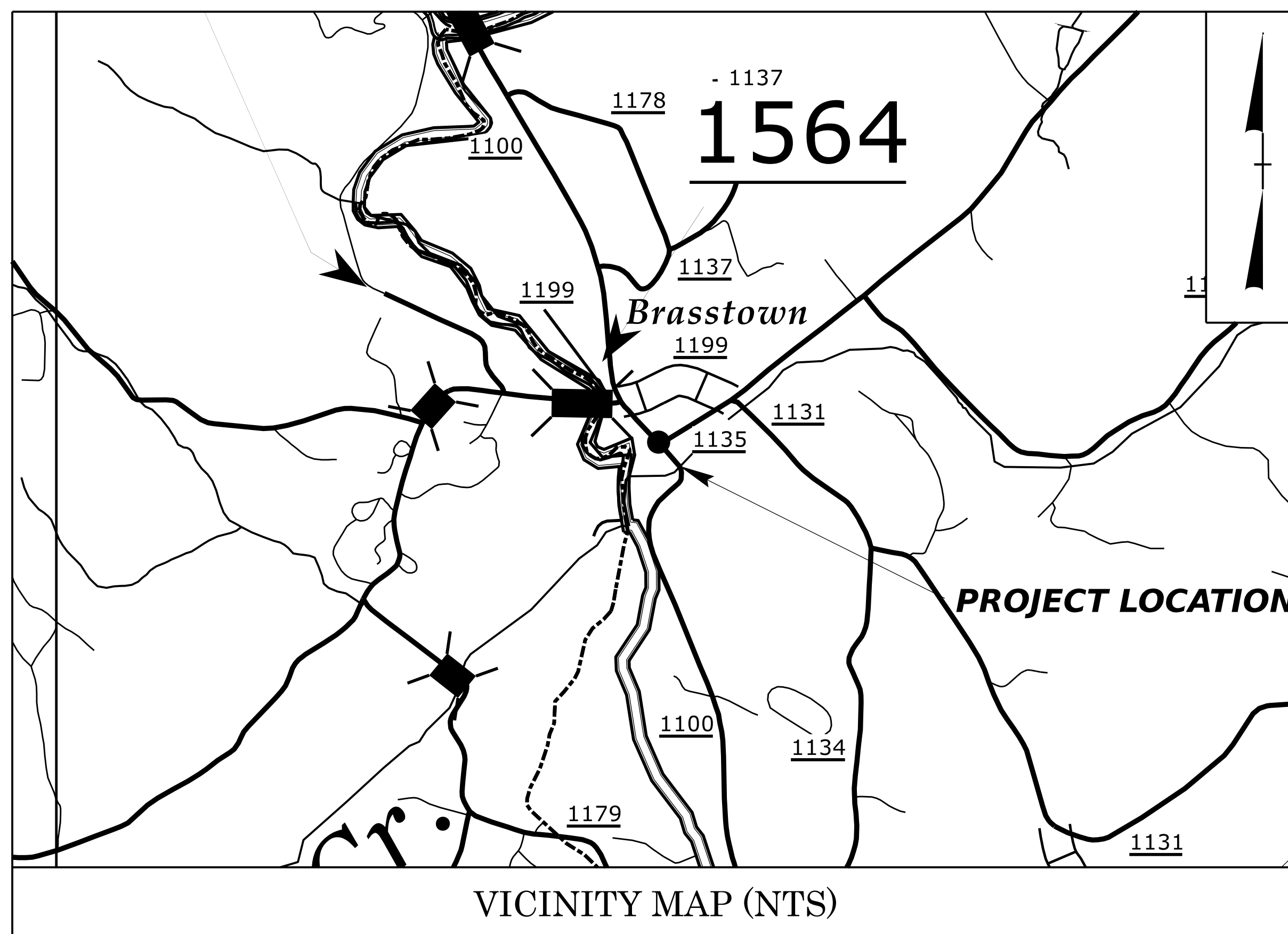
LOCATION: *SR 1100 (OLD US 64 W)
OVER JENKINS BRANCH*

TYPE OF WORK: *GUARDRAIL*

STATE	STATE PROJECT REFERENCE NO.	SHEET NO.	TOTAL SHEETS
N.C.	HS-2014F	1	3
STATE PROJ. NO.	F. A. PROJ. NO.	DESCRIPTION	
49336.1.7	N/A	PE	
49336.3.7	N/A	CONSTRUCTION	

TIP PROJECT: HS-2014F

CONTRACT: DN01027



Project Location



PROJECT LENGTH

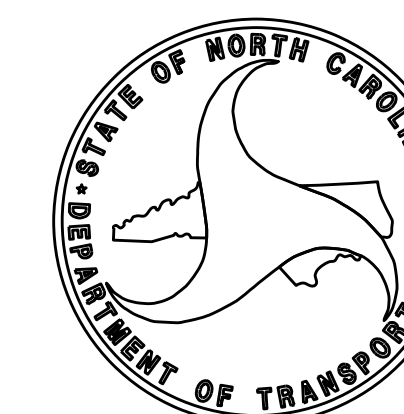
0.01 MILES

Prepared in the Office of:
DIVISION OF HIGHWAYS
253 WEBSTER RD., SYLVA NC, 28779

2018 STANDARD SPECIFICATIONS

RIGHT OF WAY DATE:
N/A

LETTING DATE:
JUNE 13, 2023



09/08/09

TIP PROJECT: HS-2014F

CONTRACT: DN01027

"N" = DISTANCE FROM EDGE OF LANE TO FACE OF GUARDRAIL.
 TOTAL SHOULDER WIDTH = DISTANCE FROM EDGE OF TRAVEL LANE TO SHOULDER BREAK POINT.
 FLARE LENGTH = DISTANCE FROM LAST SECTION OF PARALLEL GUARDRAIL TO END OF GUARDRAIL.
 W = TOTAL WIDTH OF FLARE FROM BEGINNING OF TAPER TO END OF GUARDRAIL.
 G = GATING IMPACT ATTENUATOR TYPE 350
 NG = NON-GATING IMPACT ATTENUATOR TYPE 350

STATE N.C.	STATE PROJECT REFERENCE NO. 49336	SHEET NO. 2	TOTAL SHEETS
STATE PROJ. NO. 49336.1.7	F. A. PROJ. NO. N/A	DESCRIPTION PE	
49336.3.7	N/A	CONSTRUCTION	

GUARDRAIL SUMMARY

SURVEY LINE	BEG. STA.	END STA.	LOCATION	LENGTH			WARRANT POINT		"N" DIST. FROM E.O.L.	TOTAL SHOULDER WIDTH	FLARE LENGTH		W		ANCHORS										IMPACT ATTENUATOR TYPE 350			EXTRA LENGTH GUARDRAIL POSTS (8')	REMARKS									
				STRAIGHT	SHOP CURVED	DOUBLE FACED	APPROACH END	TRAILING END			APPROACH END	TRAILING END	APPROACH END	TRAILING END	GREU TL-2											PERMITTED												
																NO.	G	NG																				
-L			LT	150																																		
-L			RT	150																																		
SUBTOTAL				300											4																							
DEDUCTIONS FOR GREU				100											4 @ 25' = 100'																							
TOTAL				200																																		

GENERAL NOTES: 2018 SPECIFICATIONS

GUARDRAIL:
 THE GUARDRAIL LOCATIONS SHOWN ON THE PLANS MAY BE ADJUSTED DURING CONSTRUCTION AS DIRECTED BY THE ENGINEER. THE CONTRACTOR SHOULD CONSULT WITH THE ENGINEER PRIOR TO ORDERING GUARDRAIL MATERIAL.

2018 ROADWAY ENGLISH STANDARD DRAWINGS

The following Roadway Standards as appear in "Roadway Standard Drawings" Highway Design Branch – N. C. Department of Transportation – Raleigh, N. C., Dated January, 2018 are applicable to this project and by reference hereby are considered a part of these plans:

- | | |
|---|-------------------------|
| STD.NO. | TITLE |
| DIVISION 8 – INCIDENTALS | |
| 862.01 | Guardrail Placement |
| 862.02 | Guardrail Installation |
| DIVISION 11 – WORK ZONE TRAFFIC CONTROL | |
| 1101.02 | Temporary Lane Closures |

STATE OF NORTH CAROLINA
DEPT. OF TRANSPORTATION
DIVISION OF HIGHWAYS
RALEIGH, N.C.

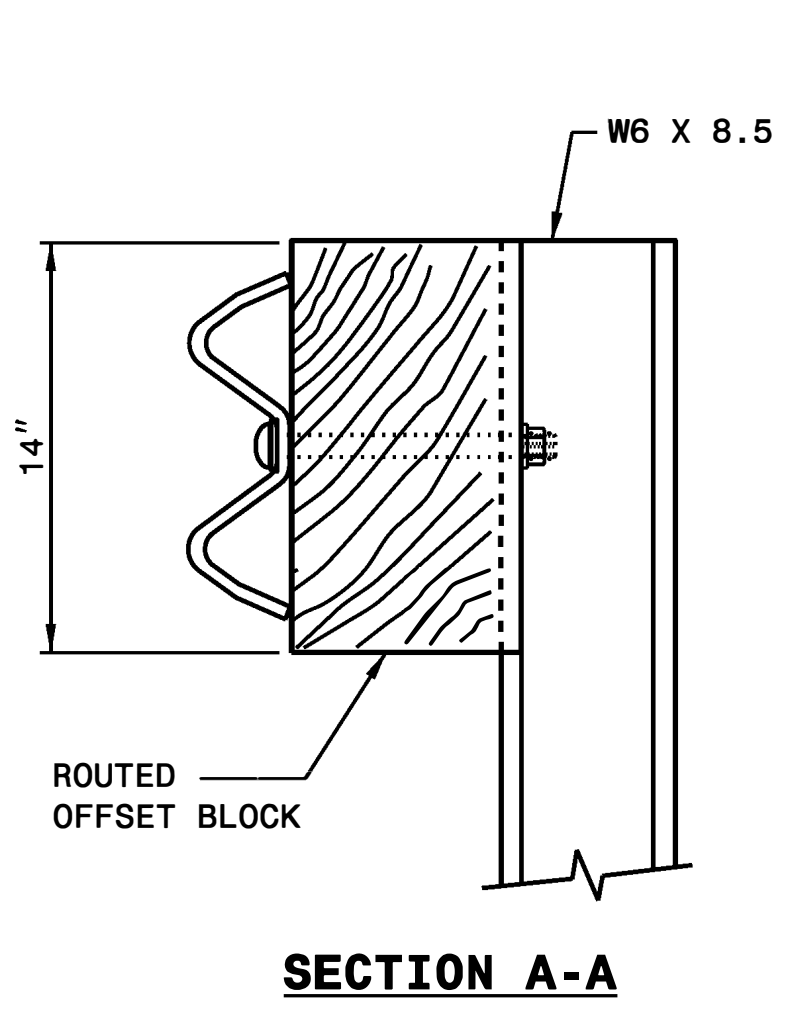
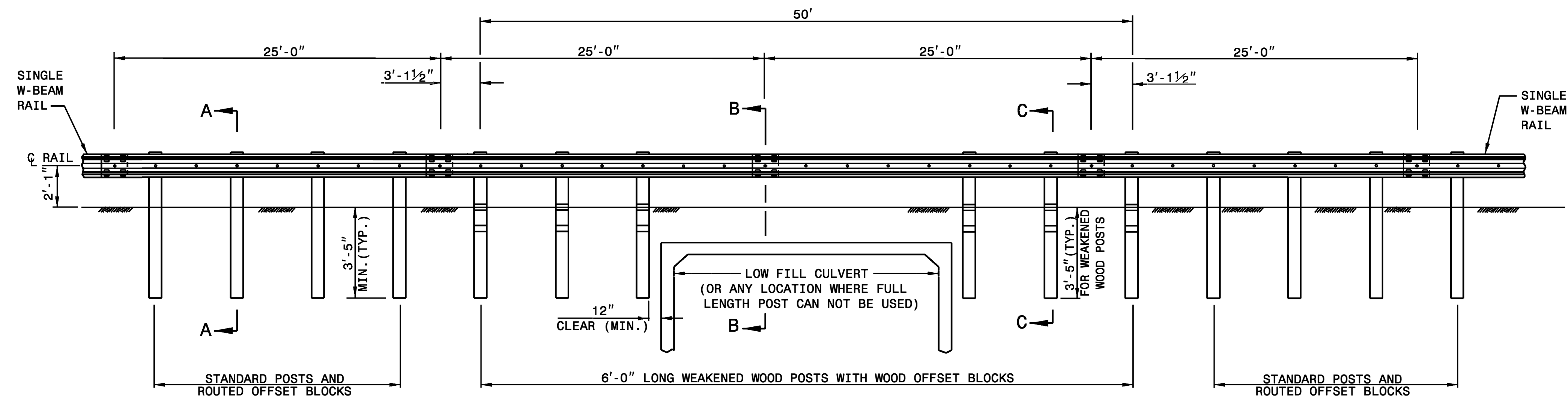
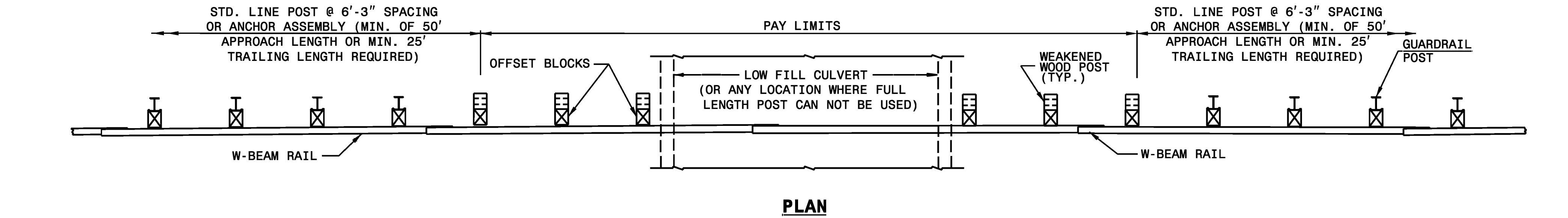
SPECIAL DETAIL FOR
GUARDRAIL PLACEMENT
25'-0" CLEAR SPAN

SHEET - OF -
862D01

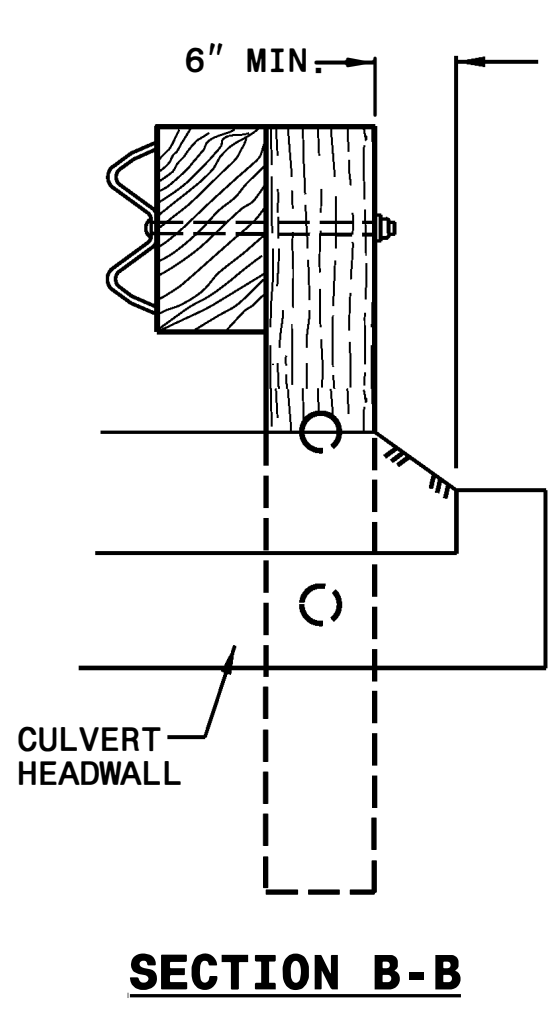
STATE OF NORTH CAROLINA
DEPT. OF TRANSPORTATION
DIVISION OF HIGHWAYS
RALEIGH, N.C.

SPECIAL DETAIL FOR
GUARDRAIL PLACEMENT
25'-0" CLEAR SPAN

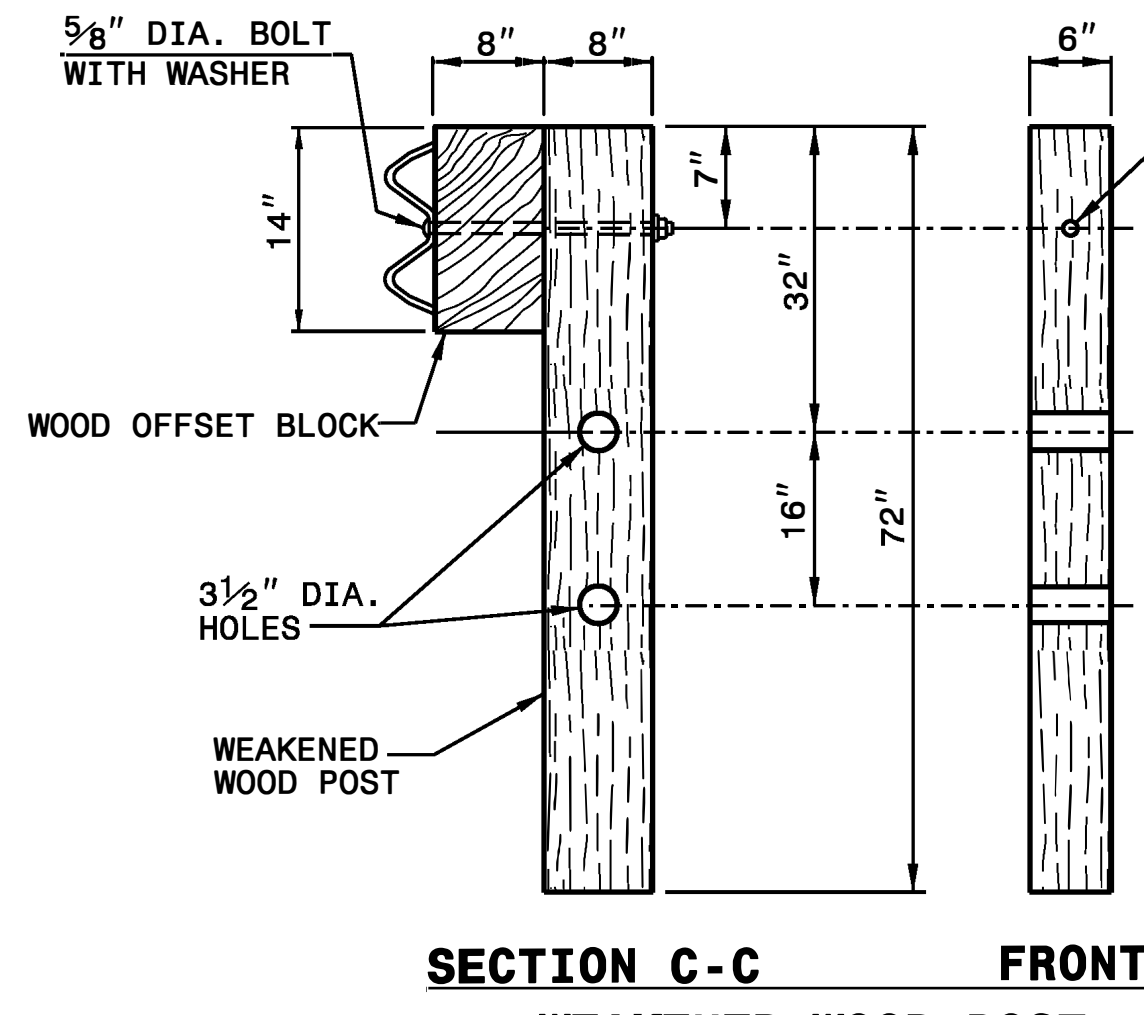
SHEET - OF -
862D01



SECTION A-A



SECTION B-B



SECTION C-C FRONT WEAKENED WOOD POST

- GENERAL NOTES:
 1. LAP RAIL IN THE DIRECTION OF TRAFFIC FLOW.
 2. SEE ROADWAY PLANS FOR LOCATIONS AND CONTINUATION OF RAIL OR END SECTIONS.
 3. MINIMUM DISTANCE OF 5 FEET BEHIND THE GUARDRAIL SHOULD BE CLEAR OF ANY FIXED-OBJECT HAZARDS THAT COULD SNAG AN IMPACTING VEHICLE.



CONTRACTS STANDARDS AND DEVELOPMENT UNIT
Office 919-707-6950 FAX 919-250-4119

25'-0" CLEAR SPAN GUARDRAIL PLACEMENT

ORIGINAL BY: _____ DATE: _____
 MODIFIED BY: _____ DATE: _____
 CHECKED BY: _____ DATE: _____
 FILE SPEC.: _____

DOCUMENT NOT CONSIDERED FINAL UNLESS ALL SIGNATURES COMPLETED