



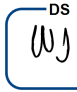
STATE OF NORTH CAROLINA  
DEPARTMENT OF TRANSPORTATION

ROY COOPER  
GOVERNOR

JAMES H. TROGDON, III  
SECRETARY

September 10, 2019

**ADDENDUM # 1**

To: Plan Holders  
From: Wes Jamsion   
Division Project Manager

RE: **Plan Sheet Revision**  
Contract ID: DN00683  
County: Transylvania  
Letting Date: September 24, 2019

The above contract has experienced the following revision:

In the **Surfacing Schedule** on **Sheet 3** of the **Standard PDF Plans – Roadway**, replace the description for Item No. D1 with the following:

“ PROP. APPROX 3” ASPHALT CONCRETE INTERMEDIATE COURSE, TYPE I19.0C AT AN AVERAGE RATE OF 342 LBS PER.SQ.YD.”

See attached Sheet 3 showing this revision.

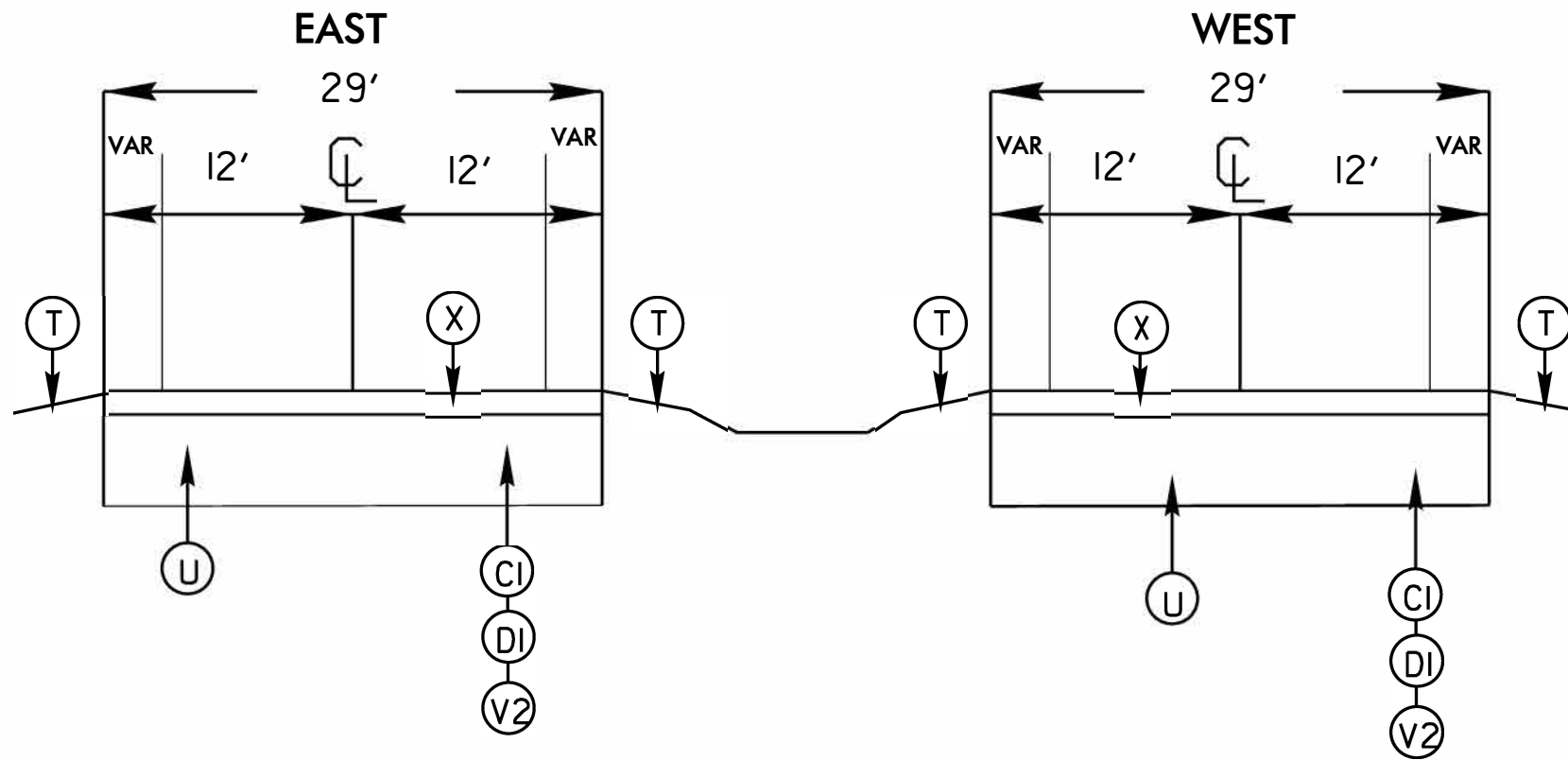
This revision do not change bid items or the associated quantities.

Please access ebs addenda files on Bid Express®.

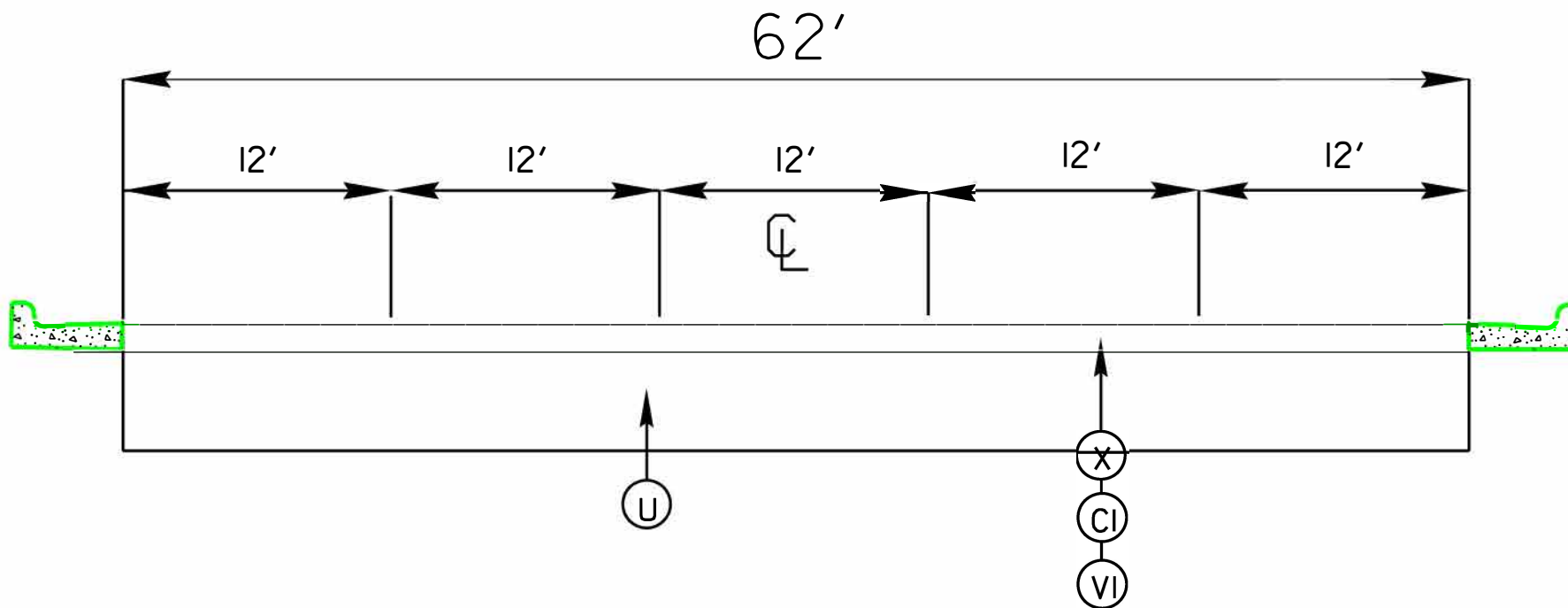
Thank you for your attention to this matter.

PROJECT REFERENCE NO.		SHEET NO.
2020CPT.14.06.10451		3
STATE PROJECT	F.A. PROJECT NO.	DESCRIPTION
		DN00683

# TYPICAL 1



# TYPICAL 2



## SURFACING SCHEDULE

ITEM NO	DESCRIPTION
C1	PROP. APPROX. 1 1/2" ASPHALT CONCRETE SURFACE COURSE, TYPE S9.5C AT AN AVERAGE RATE OF 168 LBS.PER.SQ.YD
D1	PROP. APPROX. 3" ASPHALT CONCRETE INTERMEDIATE COURSE, TYPE I19.0C AT AN AVERAGE RATE OF 342 LBS.PER.SQ.YD
U	EXISTING ASPHALT
V1	MILLED ASPHALT PAVEMENT 2 1/4 IN DEPTH IN LOCATIONS AS DIRECTED BY PROJECT ENGINEER
V2	MILLED ASPHALT PAVEMENT 3" IN DEPTH IN LOCATIONS AS DIRECTED BY PROJECT ENGINEER
T	SHOULDER RECONSTRUCTION
X	PROP. APPROX. 3/4" ASPHALT CONCRETE ULTRA THIN BOND WEAR COURSE, AT A AVERAGE RATE OF 70 LBS PER SQ.YD.