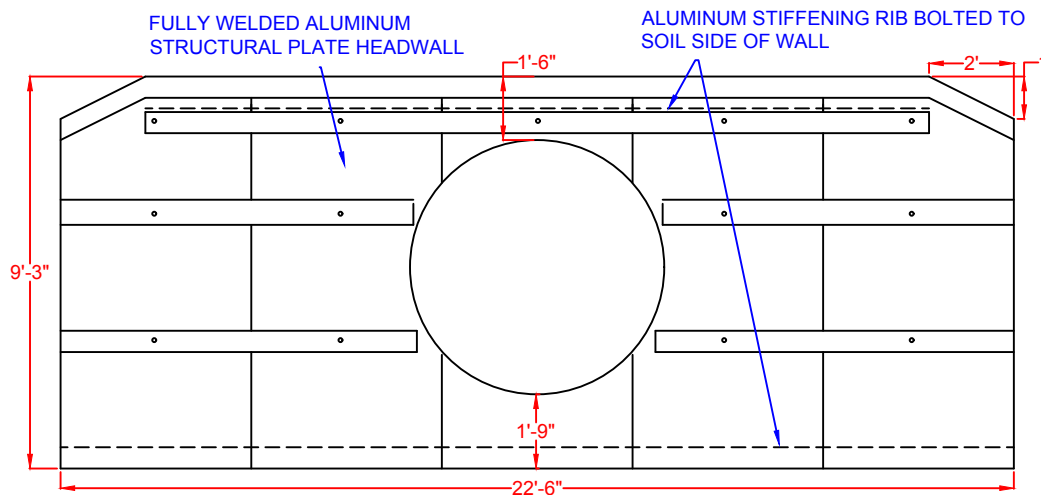
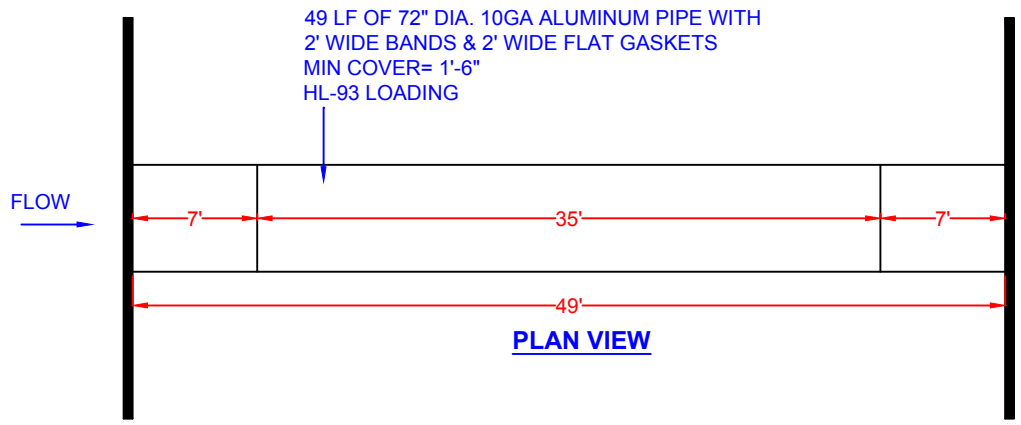


END VIEW- INLET HEADWALL



END VIEW- OUTLET HEADWALL

DESCRIPTION	
<p>NCDOT- PITT CO BOYD RD- SITE #2</p>	
DATE: DEC 21, 2017	SHEET
NOT TO SCALE	



49 LF OF 72" DIA. 10GA ALUMINUM PIPE WITH
 2' WIDE BANDS & 2' WIDE FLAT GASKETS
 MIN COVER= 1'-6"
 HL-93 LOADING

PROPOSED ELEVATIONS:

EP IN= 100.00
 TOP HW IN= 99.00
 EP OUT= 98.68
 TOP HW OUT= 98.18
 TOP PIPE= 96.68
 INV STREAM= 91.80
 INV PIPE= 90.68

PLAN VIEW

DESCRIPTION	
NCDOT- PITT CO BOYD RD- SITE #2	
FIRM:	
DATE: DEC 21, 2017	SHEET
NOT TO SCALE	