



STATE OF NORTH CAROLINA
DEPARTMENT OF TRANSPORTATION

ROY COOPER
GOVERNOR

JAMES H. TROGDON, III
SECRETARY

August 20, 2018

CONTRACT: DB00440
WBS ELEMENT: 2SP.202521.2, 2SP.202521.3
COUNTY: Jones
ROUTE: SR 1115 and SR 1116
DESCRIPTION: SR 1115 and SR 1116 Pipe Replacement

ADDENDUM 1

TO: PROSPECTIVE BIDDERS

Please note the following revisions to the proposal.

- Pipe layout for Pole Pocosin Road added to the website.
- An electronic file has been uploaded to bid express named DB00440.1

Please make sure to sign the addendum page in the proposal to acknowledge this addendum.

Sincerely,

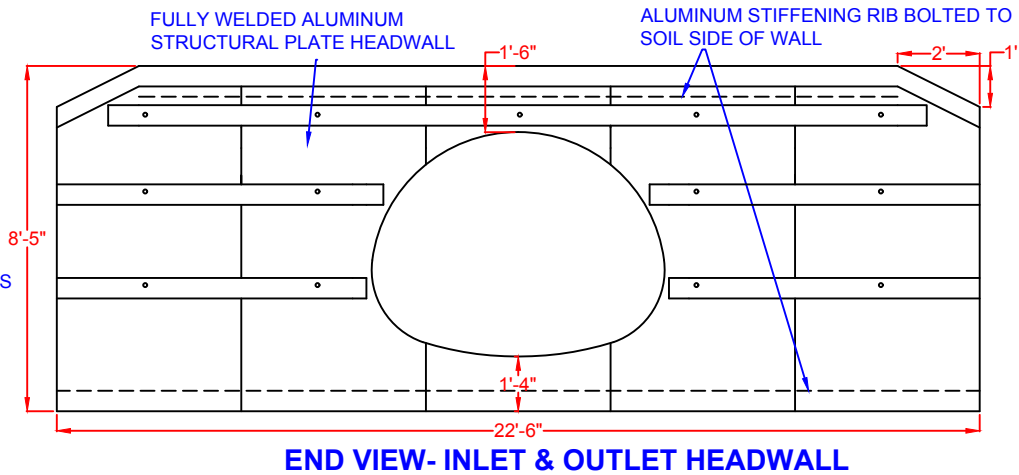
DocuSigned by:

Mary Voelker Moore

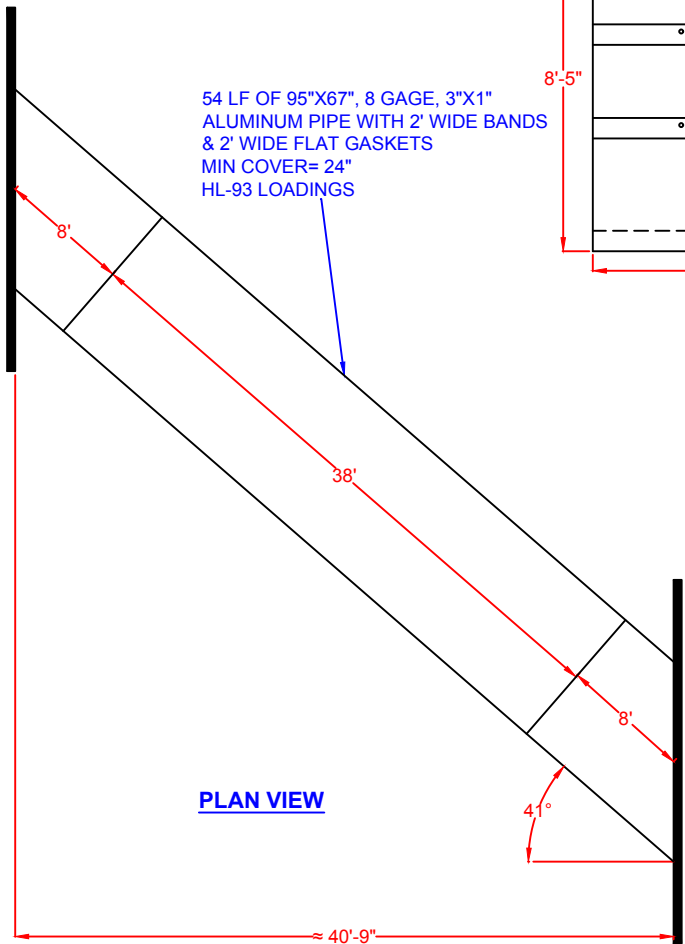
714C11DCCEBC4C6...

Mary Voelker Moore, PE
Division Contract Engineer

cc: Mr. Rich Godley
Mr. Rhett Gerrald, PE
Mr. J. Aaron Bullard, PE
Mr. Jeff Cabanis, PE
Ms. Claudia Wainwright



54 LF OF 95"X67", 8 GAGE, 3"X1" ALUMINUM PIPE WITH 2' WIDE BANDS & 2' WIDE FLAT GASKETS
MIN COVER= 24"
HL-93 LOADINGS



PROPOSED ELEVATIONS:

TOP ϵ ROAD= 100.00
TOP HW= 99.08
TOP PIPE= 97.58
INV STREAM= 93.00
INV PIPE= 92.00

* INCLUDES 1 ROLL TENSAR TX160 GEOGRID

DESCRIPTION	
NCDOT- JONES CO POLE POCOSIN ROAD	
DATE: FEB 28, 2018	SHEET
NOT TO SCALE	