

RETAINING WALL NO. 1 PLAN VIEW
NOT TO SCALE

NOTES

FOR SHEET PILE RETAINING WALLS, SEE SECTION 452 OF THE STANDARD SPECIFICATIONS.

STEEL SHEET PILES SHALL BE PZ-27 SECTIONS OR EQUIVALENT AND SHALL CONFORM TO ASTM A690. FOR STEEL SHEET PILES, SEE SECTION 1084 OF THE STANDARD SPECIFICATIONS.

GALVANIZE STEEL SHEET PILES IN ACCORDANCE WITH SECTION 1076 OF THE STANDARD SPECIFICATIONS.

INSTALL SHEET PILES TO A TIP ELEVATION NO HIGHER THAN 10.0'.

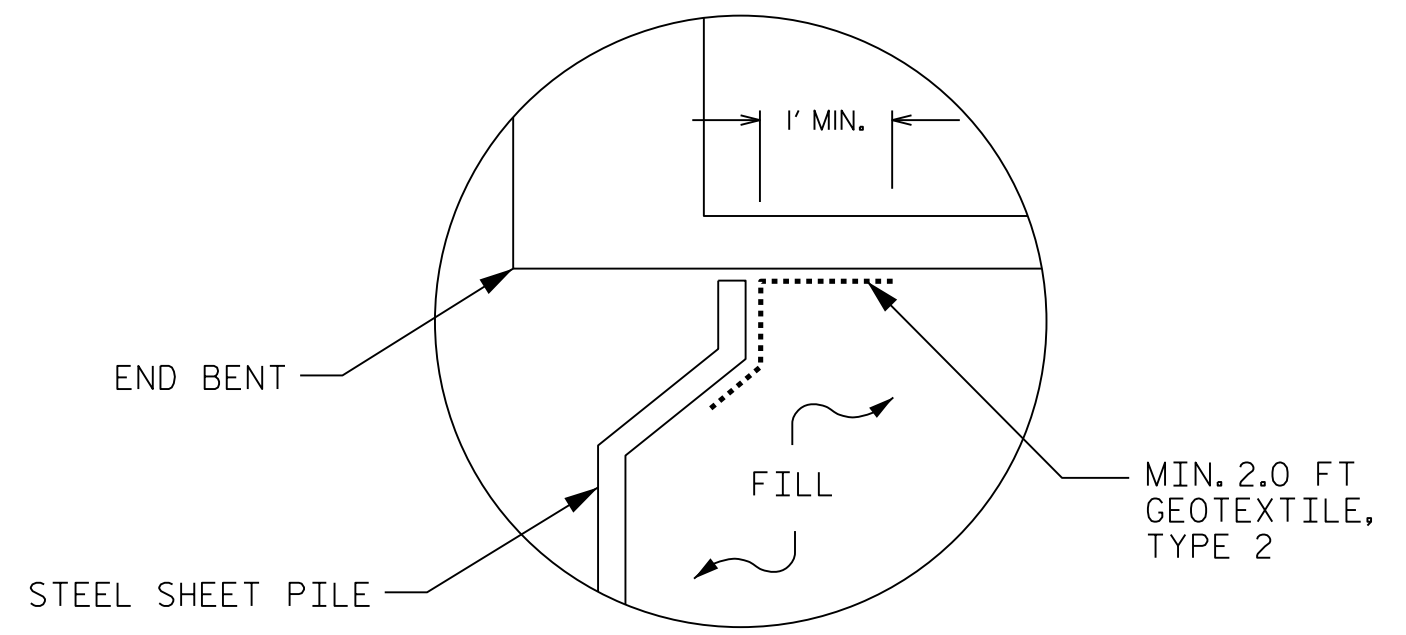
CONSTRUCT COPING IN ACCORDANCE WITH SECTION 825 OF THE STANDARD SPECIFICATIONS. THE CLASS A CONCRETE REQUIRED FOR COPING SHALL BE CONSIDERED INCIDENTAL TO THE CONTRACT UNIT PRICE BID PER SQUARE FOOT FOR SHEET PILE RETAINING WALLS.

TIE THE RETAINING WALL NO. 1 TO THE END BENT NO. 2 AT THE BEGIN OF RETAINING WALL NO. 1.

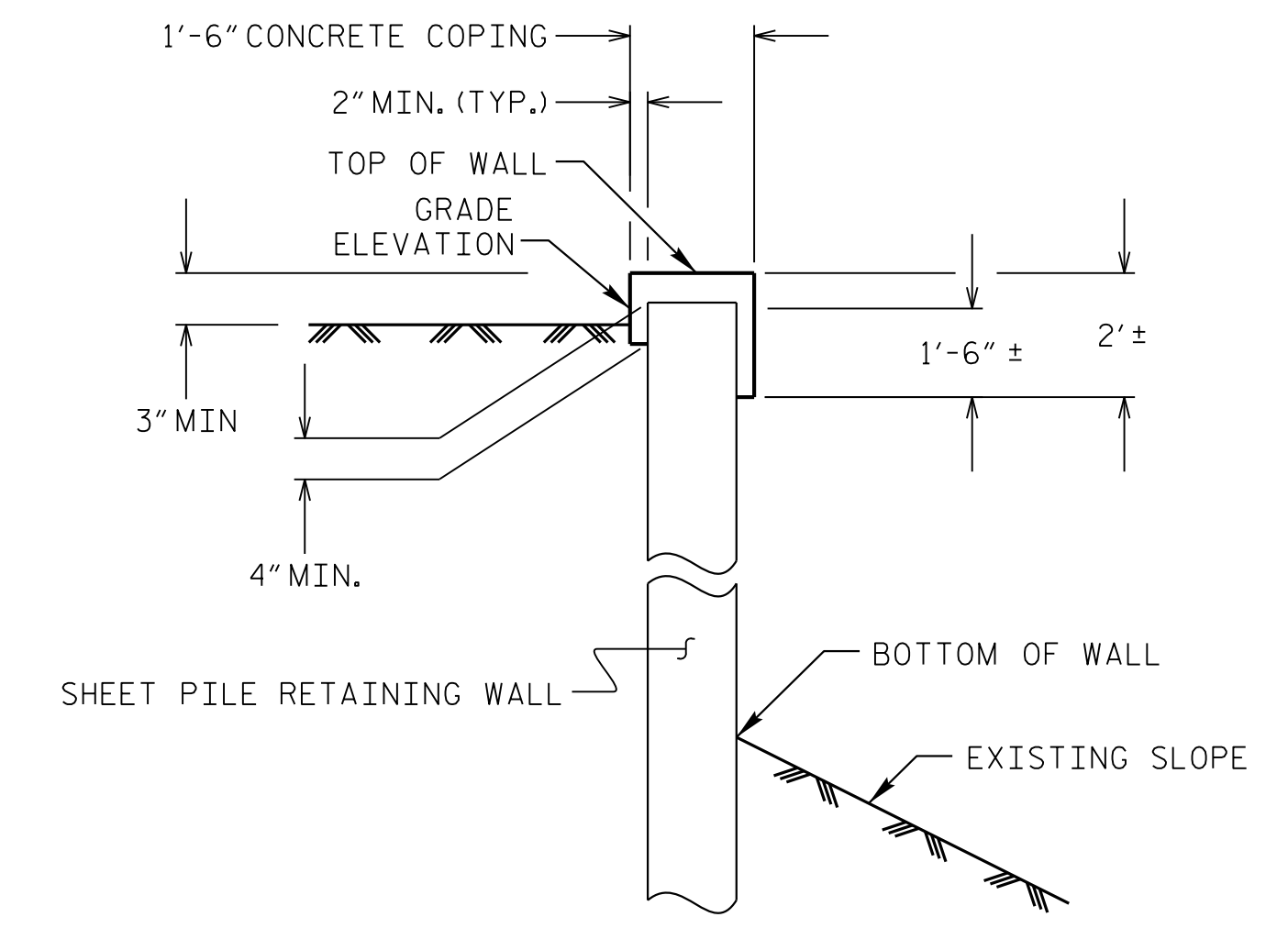
INSTALL TYPE 2 GEOTEXTILE WITHIN FILL AGAINST STEEL SHEET PILE AND END BENT AT THE BEGIN OF RETAINING WALL NO. 1. EXTEND GEOTEXTILE AT LEAST 1.0 FT EACH SIDE FROM THE BEGIN OF RETAINING WALL NO. 1. FOR TYPE 2 GEOTEXTILE, SEE SECTION 1056 OF THE STANDARD SPECIFICATIONS.

THE COST OF TYPE 2 GEOTEXTILE WILL BE INCIDENTAL TO THE CONTRACT UNIT PRICE OF SHEET PILE RETAINING WALL NO. 1.

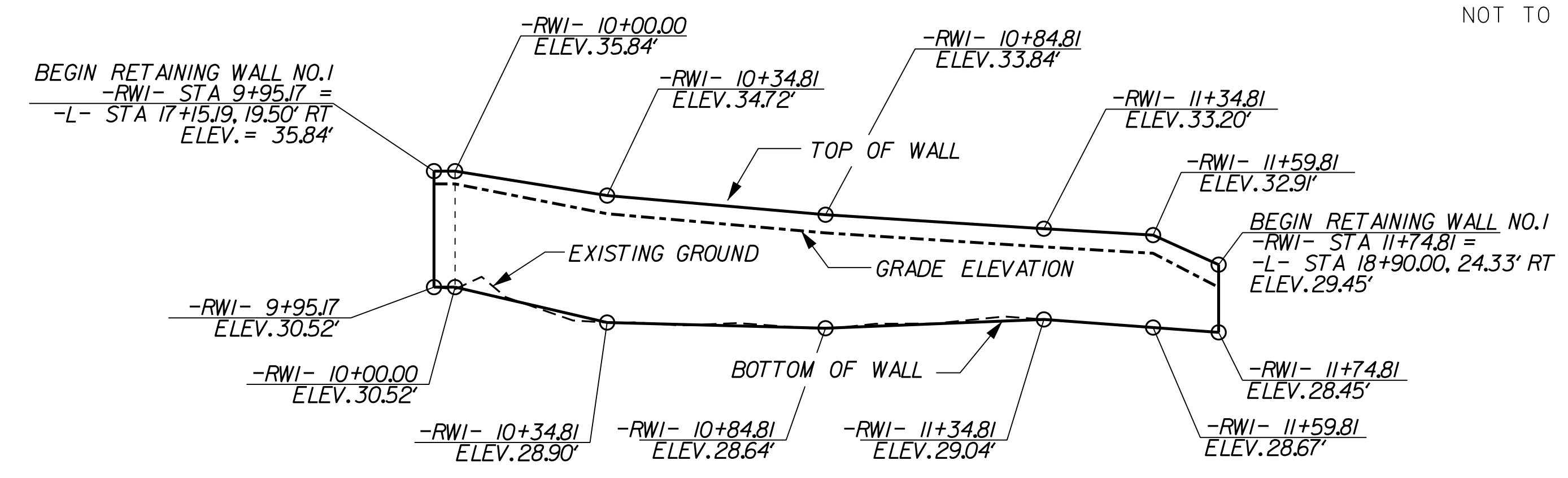
ESTIMATED SHEET PILE RETAINING WALL QUANTITIES	
SHEET PILE RETAINING WALL NO. 1	890 SF



DETAIL 1
NOT TO SCALE



SECTION A-A
NOT TO SCALE



RETAINING WALL NO. 1 WALL ENVELOPE
NOT TO SCALE

PROJECT NO.: B-5641

DUPLIN COUNTY

STATION: -L- STA. 17+20

SHEET 1 OF 1

PREPARED BY: JINYOUNG PARK DATE: 12 / 2021

REVIEWED BY: JAMES BATTS DATE: 12 / 2021

**NORTH CAROLINA
DEPARTMENT OF TRANSPORTATION
DIVISION OF HIGHWAYS**

**GEOTECHNICAL
ENGINEERING UNIT**

REVISIONS						SHEET NO. W-1
NO.	BY	DATE	NO.	BY	DATE	
1			3			
2			4			