

D4POC0075
ON CALL VEGETATION REMOVAL

1 EDGECOMBE, HALIFAX, JOHNSTON, NASH,
NORTHAMPTON, WAYNE AND WILSON COUNTIES

STATE OF NORTH CAROLINA
DEPARTMENT OF TRANSPORTATION



DIVISION 4

CONTRACT PROPOSAL
SMALL BUSINESS ENTERPRISE

DATE AND TIME OF BID OPENING: FEBRUARY 8, 2022 AT 2:00 PM

CONTRACT ID: D4POC0075

WBS ELEMENT NO.: 4RE.103314, 4RE.106434, 4RE.205114, ETC.

FEDERAL AID NO.: STATE FUNDED

**COUNTY: EDGECOMBE, HALIFAX, JOHNSTON, NASH, NORTHAMPTON, WAYNE
AND WILSON COUNTIES**

TIP NO.: N/A

MILES: N/A MILES

ROUTE NO.: VARIOUS

LOCATION: VARIOUS BRIDGE, CULVERT AND PIPE LOCATIONS WITHIN DIVISION 4

TYPE OF WORK: ON CALL CUTTING AND REMOVAL OF VEGETATION

NAME OF BIDDER

ADDRESS OF BIDDER

RETURN BIDS TO:

**N. C. DEPARTMENT OF TRANSPORTATION
DIVISION OF HIGHWAYS, DIVISION 4
ATTN: Vickie P. Gardner
509 Ward Blvd., P.O. Box 3165
Wilson, NC 27895**

**PROPOSAL FOR THE CONSTRUCTION OF
CONTRACT No. D4POC0075 IN EDGECOMBE, HALIFAX, JOHNSTON, NASH, NORTHAMPTON,
WAYNE AND WILSON COUNTIES, NORTH CAROLINA
FEBRUARY 8, 2022
DEPARTMENT OF TRANSPORTATION,
WILSON, NORTH CAROLINA**

The Bidder has carefully examined the location of the proposed work to be known as Contract No. **D4POC0075**; has carefully examined the plans and specifications, which are acknowledged to be part of the proposal, the special provisions, the proposal, the form of contract; and thoroughly understands the stipulations, requirements and provisions. The undersigned bidder agrees to bound upon his execution of the bid. The undersigned Bidder further agrees to provide all necessary machinery, tools, labor, and other means of construction; and to do all the work and to furnish all materials, except as otherwise noted, necessary to perform and complete the said contract in accordance with *the 2018 Standard Specifications for Roads and Structures* by the dates(s) specified in the Project Special Provisions and in accordance with the requirements of the Engineer, and at the unit or lump sum prices, as the case may be, for the various items given on the sheets contained herein.

The Bidder shall provide and furnish all the materials, machinery, implements, appliances and tools, and perform the work and required labor to construct and complete State Highway Contract No. **D4POC0075** in **Edgecombe, Halifax, Johnston, Nash, Northampton, Wayne and Wilson Counties**, for the unit or lump sum prices, as the case may be, bid by the Bidder in his bid and according to the proposal, plans, and specifications prepared by said Department, which proposal, plans, and specifications show the details covering this project, and hereby become a part of this contract.

The published volume entitled *North Carolina Department of Transportation, Raleigh, Standard Specifications for Roads and Structures, January 2018* with all amendments and supplements thereto, is by reference incorporated into and made a part of this contract; that, except as herein modified, all the construction and work included in this contract is to be done in accordance with the specifications contained in said volume, and amendments and supplements thereto, under the direction of the Engineer.

If the proposal is accepted and the award is made, the contract is valid only when signed either by the Contract Officer or such other person as may be designated by the Secretary to sign for the Department of Transportation. The conditions and provisions herein cannot be changed except over the signature of the said Contract Officer or Division Engineer.

The quantities shown in the itemized proposal for the project are considered to be approximate only and are given as the basis for comparison of bids. The Department of Transportation may increase or decrease the quantity of any item or portion of the work as may be deemed necessary or expedient.

An increase or decrease in the quantity of an item will not be regarded as sufficient ground for an increase or decrease in the unit prices, nor in the time allowed for the completion of the work, except as provided for the contract.

THIS CONTRACT IS FOR CONTRACT ID **D4POC0075** FOR **VEGETATION REMOVAL**
TYPE OF WORK IN **EDGECOMBE, HALIFAX, JOHNSTON, NASH, NORTHAMPTON,**
WAYNE AND WILSON COUNTIES.

TABLE OF CONTENTS

COVER SHEET
PROPOSAL SHEET

SPECIAL PROVISIONS

GENERAL:.....	5
REQUIRED PRECONSTRUCTION MEETING:.....	5
SMALL BUSINESS ENTERPRISE PROGRAM:.....	5
BOND REQUIREMENTS – No Bonds Required.....	6
CONTRACT TIME AND LIQUIDATED DAMAGES:.....	6
INTERMEDIATE CONTRACT TIME AND LIQUIDATED DAMAGES NO. 1:.....	6
INTERMEDIATE CONTRACT TIME AND LIQUIDATED DAMAGES NO. 2:.....	6
INTERMEDIATE CONTRACT TIME AND LIQUIDATED DAMAGES NO. 3:.....	7
NO MAJOR CONTRACT ITEMS:.....	8
NO SPECIALTY ITEMS:.....	8
USE OF UNMANNED AIRCRAFT SYSTEM (UAS):.....	9
EQUIPMENT IDLING GUIDELINES:.....	9
COOPERATION BETWEEN CONTRACTORS:.....	10
OUTSOURCING OUTSIDE THE USA:.....	10
SUPERVISION BY CONTRACTOR:.....	10
NOTIFICATION OF WORK:.....	11
PAYMENT:.....	11
ROADWAY.....	12
DETAIL DRAWINGS.....	17
AVAILABILITY OF FUNDS – TERMINATION OF CONTRACTS.....	21
ERRATA.....	22
PLANT AND PEST QUARANTINES.....	24
MINIMUM WAGES.....	25
TITLE VI AND NONDISCRIMINATION:.....	26
ON-THE-JOB TRAINING.....	35

PROPOSAL ITEM SHEETS AND SIGNATURE SHEETS

INSTRUCTIONS TO BIDDERS

PLEASE READ ALL INSTRUCTIONS CAREFULLY BEFORE PREPARING AND SUBMITTING YOUR BID.

All bids shall be prepared and submitted in accordance with the following requirements. Failure to comply with any requirement may cause the bid to be considered irregular and may be grounds for rejection of the bid.

TRADITIONAL PAPER BIDS:

1. Download the entire proposal from the Connect NCDOT website and return the entire proposal with your bid.
2. All entries on the itemized proposal sheet (bid form) shall be written in ink or typed.
3. The Bidder shall submit a unit price for every item on the itemized proposal sheet. The unit prices for the various contract items shall be written in figures. Unit prices shall be rounded off by the Bidder to contain no more than TWO decimal places.
4. An amount bid shall be entered on the itemized proposal sheet for every item. The amount bid for each item shall be determined by multiplying each unit bid by the quantity for that item, and shall be written in figures in the "Amount" column of the form.
5. The total amount bid shall be written in figures in the proper place on the bid form. The total amount bid shall be determined by adding the amounts bid for each item.
6. Changes to any entry shall be made by marking through the entry in ink and making the correct entry adjacent thereto in ink. A representative of the Bidder shall initial the change in ink. Do not use correction fluid, correction tape or similar product to make corrections.
7. The bid shall be properly executed on the included **Execution of Bid – Non-collusion, Debarment and Gift Ban Certification** form. All bids shall show the following information:
 - a. Name of corporation, partnership, Limited Liability Company, joint venture, individual or firm, submitting bid.
Corporations that have a corporate seal should include it on the bid.
 - b. Name of individual or representative submitting bid and position or title held on behalf of the bidder.
 - c. Name, signature, and position or title of witness.
8. The bid shall not contain any unauthorized additions, deletions, or conditional bids.
9. The Bidder shall not add any provision reserving the right to accept or reject an award, or to enter into a contract pursuant to an award.
10. **THE PROPOSAL WITH THE ITEMIZED PROPOSAL SHEET ATTACHED SHALL BE PLACED IN A SEALED ENVELOPE AND SHALL BE DELIVERED TO AND RECEIVED IN THE NCDOT DIVISION OFFICE, LOCATED AT 509 WARD BLVD., WILSON, NC 27893 BY 2:00 PM ON FEBRUARY 8, 2022.**
11. The sealed bid must display the following statement on the front of the sealed envelope:

**QUOTATION FOR ON CALL CUTTING AND REMOVAL OF VEGETATION AT
VARIOUS BRIDGE, CULVERT AND PIPE LOCATIONS WITHIN DIVISION 4
TO BE OPENED AT 2:00 PM ON FEBRUARY 8, 2022.**

12. If delivered by mail, the sealed envelope shall be placed in another sealed envelope and the outer envelope shall be addressed as follows:

**N. C. DEPARTMENT OF TRANSPORTATION
ATTN: Vickie P. Gardner
509 Ward Blvd., P.O. Box 3165
Wilson, NC 27895**

GENERAL:

This contract is for cutting and removal of vegetation at various bridge, culvert, and pipe locations in Division Four. The Contractor must cooperate with the State forces working within the limits of this project as directed by the Engineer. The Department reserves the right to make, at any time during the progress of work, such alterations in plans or details of construction as may be found necessary or desirable by the Engineer to complete the work. Mobilization will be considered incidental to the various bid items in the contract. The Contractor shall maintain access to all driveways throughout the life of the project.

PROJECT SPECIAL PROVISIONS

REQUIRED PRECONSTRUCTION MEETING:

The Contractor shall contact Randy Davis, Division Bridge Engineer, (252) 640-6422 to arrange the required pre-construction meeting. The project superintendent is required to attend.

At the preconstruction meeting the Contractor shall supply the following information:

- Name of persons authorized to sign Supplemental Agreements
- Name of the EEO Officer and Minority Liaison Officer
- Name of the Erosion Control and Sediment Control/Storm Water Certified Supervisor, Certified Foreman, Certified Installer, and Certified Designer
- Name of the Work Zone Traffic Control Supervisor
- Buy America Certification

SMALL BUSINESS ENTERPRISE PROGRAM:

This is a Small Business Enterprise (SBE) Program project, and as such, it is restricted to businesses grossing less than \$1,500,000, excluding materials, during the previous calendar year. Contractors must be certified as a SBE Contractor by the Contractual Services Unit of NCDOT and listed as such in the Directory of Transportation Firms at the time of bid opening. Certification requirements and additional SBE Program information may be found at <https://connect.ncdot.gov/business/SmallBusiness/Pages/default.aspx>.

In accordance with N.C. General Statute §136-28.10, an award in a maintenance contract shall not exceed \$1,000,000 per year. This contract award is limited to \$1,000,000 per year. No payments in excess of this amount will be disbursed, in accordance with the Statute.

As authorized by G.S. 136-28.10 (Highway Fund and Highway Trust Fund Small Project Bidding), the Department's normal bonding and licensing requirements are waived for this SBE project.

BOND REQUIREMENTS – NO BONDS REQUIRED

(06-01-16)

SPD 01-420B

The provisions of Articles 102-10 and 103-7 of the *2018 Standard Specifications for Roads and Structures* are waived for this project. No bonds required.

CONTRACT TIME AND LIQUIDATED DAMAGES:

(7-1-95) (Rev. 12-18-07)

108

SP1 G10 A

The date of availability for this contract is **March 1, 2022**.

The completion date for this contract is **February 28, 2023**.

INTERMEDIATE CONTRACT TIME AND LIQUIDATED DAMAGES NO. 1:

The basis for the contract shall be for one (1) cycle per item. The date of availability for the annual cycle is **June 2, 2022**.

The completion date for the annual cycle is **November 18, 2022**.

The liquidated damages for this contract are **Five Hundred Dollars (\$500.00)** per calendar day.

INTERMEDIATE CONTRACT TIME AND LIQUIDATED DAMAGES NO. 2:

The Contractor will not be allowed to work during the following day and time restrictions unless otherwise approved by the Engineer:

DAY AND TIME RESTRICTIONS FOR I-95

- FRIDAY NOON TO SUNDAY MIDNIGHT

DAY AND TIME RESTRICTIONS FOR US 64

- WEST OF SR 1603 (OLD CARRIAGE RD)
 - MONDAY TO FRIDAY 7 AM TO 9 AM
- FROM WEST OF SR 1603 TO US 64 ALT.
 - MONDAY TO FRIDAY 7 AM TO 9 AM AND 4 PM TO 6 PM
- EAST OF US 64 ALT.
 - NO TIME RESTRICTIONS

DAY AND TIME RESTRICTIONS FOR US 70 AND US 70 BYPASS

- I-40 AT JOHNSTON/WAKE CO. LINE TO 70B (WEST OF SMITHFIELD)

- MONDAY TO FRIDAY 6:30 AM TO 8:30 AM (70 WESTBOUND)
- MONDAY TO FRIDAY 4:30 PM TO 6:30 PM (70 EASTBOUND)

- 70B (WEST OF SMITHFIELD) TO 70 BYPASS (SELMA BYPASS)

- 70 BYPASS OF SELMA

- 70 BYPASS (SELMA BYPASS) TO 70A AT PRINCETON
 - FRIDAY (APRIL-OCTOBER) 4:30 PM TO 6:30 PM (70 EASTBOUND)

- 70 THROUGH SELMA FROM BEGINNING TO END OF SELMA BYPASS
 - MONDAY TO FRIDAY 6:30 AM TO 8:30 AM
 - MONDAY TO FRIDAY 4:30 PM TO 6:30 PM
 - SATURDAY AND SUNDAY FROM 7 AM TO 7 PM

- 70A AT PRINCETON TO THE LENOIR COUNTY LINE
 - MONDAY TO FRIDAY 6:30 AM TO 8:30 AM
 - MONDAY TO FRIDAY 4:30 PM TO 6:30 PM

DAY AND TIME RESTRICTIONS FOR I-40

- NC 42 TO WAKE / JOHNSTON CO. LINE
 - SUNDAY TO SATURDAY 6 AM TO 8 PM

- FROM 210 TO NC 42 (EASTBOUND)
 - MONDAY TO FRIDAY 4 PM TO 7 PM
 - SATURDAY 7 AM TO 12 NOON

- FROM 210 TO NC 42 (WESTBOUND)
 - MONDAY TO FRIDAY 6 AM TO 9 AM
 - SUNDAY 12 NOON TO 7 PM

The liquidated damages are **One Thousand Dollars (\$1,000.00)** per hour.

INTERMEDIATE CONTRACT TIME AND LIQUIDATED DAMAGES NO. 3:

(2-20-07)

108

SP1 G14 B

The Contractor shall not narrow or close a lane of traffic, detain and /or alter the traffic flow on or during holiday weekends, special events, or any other time when traffic is unusually heavy unless otherwise approved by the Engineer, including the following schedules:

HOLIDAY AND HOLIDAY WEEKEND LANE CLOSURE RESTRICTIONS

1. For **unexpected occurrence** that creates unusually high traffic volumes, as directed by the Engineer.

2. For **New Year's Day**, between the hours of **6:00 a.m.** December 31st and **7:00 p.m.** January 2nd. If New Year's Day is on a Friday, Saturday, Sunday or Monday, then until **7:00 p.m.** the following Tuesday.
3. For Easter, between the hours of **6:00 a.m.** Thursday and **7:00 p.m.** Tuesday.
4. For Memorial Day, between the hours of **6:00 a.m.** Friday and **7:00 p.m.** Wednesday.
5. For **Independence Day**, between the hours of **6:00 a.m.** the Friday before the week of Independence Day and **7:00 p.m.** the following Monday after the week of Independence Day.
6. For **Labor Day**, between the hours of **6:00 a.m.** Friday and **7:00 p.m.** Wednesday.
7. For **Thanksgiving Day**, between the hours of **6:00 a.m.** Tuesday and **7:00 p.m.** Monday.
8. For **Christmas**, between the hours of **6:00 a.m.** the Friday before the week of Christmas Day and **7:00 p.m.** the following Tuesday after the week of Christmas.

Holidays and holiday weekends shall include New Year's, Easter, Memorial Day, Independence Day, Labor Day, Thanksgiving, and Christmas. The Contractor shall schedule his work so that lane closures are not required during these periods, unless otherwise directed by the Engineer.

The time of availability for this intermediate contract work shall be the time the Contractor begins to install all traffic control devices for lane closures according to the time restrictions listed herein.

The completion time for this intermediate contract work shall be the time the Contractor is required to complete the removal of all traffic control devices for lane closures according to the time restrictions stated herein and place traffic in the existing traffic pattern.

The liquidated damages are **One Thousand Dollars (\$1,000.00)** per hour.

NO MAJOR CONTRACT ITEMS:

(2-19-02) (Rev. 8-21-07)

104

SP1 G31

None of the items included in this contract will be major items.

NO SPECIALTY ITEMS:

(7-1-95)

108-6

SP1 G34

None of the items included in this contract will be specialty items (see Article 108-6 of the *2018 Standard Specifications*).

USE OF UNMANNED AIRCRAFT SYSTEM (UAS):

(8-20-19)

SP1 G092

The Contractor shall adhere to all Federal, State and Local regulations and guidelines for the use of Unmanned Aircraft Systems (UAS). This includes but is not limited to US 14 CFR Part 107 *Small UAS Rule*, NC GS 15A-300.2 *Regulation of launch and recovery sites*, NC GS 63-95 *Training required for the operation of unmanned aircraft systems*, NC GS 63-96 *Permit required for commercial operation of unmanned aircraft system*, and NCDOT UAS Policy. The required operator certifications include possessing a current Federal Aviation Administration (FAA) Remote Pilot Certificate, a NC UAS Operator Permit as well as operating a UAS registered with the FAA.

Prior to beginning operations, the Contractor shall complete the NCDOT UAS – Flight Operation Approval Form and submit it to the Engineer for approval. All UAS operations shall be approved by the Engineer prior to beginning the operations.

All contractors or subcontractors operating UAS shall have UAS specific general liability insurance to cover all operations under this contract.

The use of UAS is at the Contractor's discretion. No measurement or payment will be made for the use of UAS. In the event that the Department directs the Contractor to utilize UAS, payment will be in accordance with Article 104-7 Extra Work.

EQUIPMENT IDLING GUIDELINES:

(1-19-21)

107

SP1 G096

Exercise reduced fuel consumption and reduced equipment emissions during the construction of all work associated with this contract. Employees engaged in the construction of this project should turn off vehicles when stopped for more than thirty (30) minutes and off-highway equipment should idle no longer than fifteen (15) consecutive minutes.

These guidelines for turning off vehicles and equipment when idling do not apply to:

1. Idling when queuing.
2. Idling to verify the vehicle is in safe operating condition.
3. Idling for testing, servicing, repairing or diagnostic purposes.
4. Idling necessary to accomplish work for which the vehicle was designed (such as operating a crane, mixing concrete, etc.).
5. Idling required to bring the machine system to operating temperature.
6. Emergency vehicles, utility company, construction, and maintenance vehicles where the engines must run to perform needed work.
7. Idling to ensure safe operation of the vehicle.
8. Idling when the propulsion engine is providing auxiliary power for other than heating or air conditioning. (such as hydraulic systems for pavers)
9. When specific traffic, safety, or emergency situations arise.

10. If the ambient temperature is less than 32 degrees Fahrenheit. Limited idling to provide for the safety of vehicle occupants (e.g. to run the heater).
11. If the ambient temperature is greater than 90 degrees Fahrenheit. Limited idling to provide for the safety of vehicle occupants of off-highway equipment (e.g. to run the air conditioning) no more than 30 minutes.
12. Diesel powered vehicles may idle for up to 30 minutes to minimize restart problems.

Any vehicle, truck, or equipment in which the primary source of fuel is natural gas or electricity is exempt from the idling limitations set forth in this special provision.

COOPERATION BETWEEN CONTRACTORS:

(7-1-95)

105-7

SP1 G133

The Contractor's attention is directed to Article 105-7 of the *2018 Standard Specifications*.

The Contractor on this project shall cooperate with the Contractor working within or adjacent to the limits of this project to the extent that the work can be carried out to the best advantage of all concerned.

OUTSOURCING OUTSIDE THE USA:

(9-21-04) (Rev. 5-16-06)

SP1 G150

All work on consultant contracts, services contracts, and construction contracts shall be performed in the United States of America. No work shall be outsourced outside of the United States of America.

Outsourcing for the purpose of this provision is defined as the practice of subcontracting labor, work, services, staffing, or personnel to entities located outside of the United States.

The North Carolina Secretary of Transportation shall approve exceptions to this provision in writing.

SUPERVISION BY CONTRACTOR:

At all times during the life of this contract the Contractor(s) shall provide one permanent employee who shall have the authority and capability for overall responsibility of the project(s) and who shall be personally available at the work site within 24 hours notice. Such employee shall be fully authorized to conduct all business with the subcontractors, to negotiate and execute all supplemental agreements, and to execute the orders or directions of the Engineer.

At all times that work is actually being performed, the Contractor(s) shall have present on the project(s) one competent individual who is authorized to act in a supervisory capacity over all work on the project(s), including work subcontracted. The individual(s) who has been so authorized shall be experienced in the type of work being performed and shall be fully capable of managing, directing, and coordinating the work; of reading and thoroughly understanding the contracts; and receiving and carrying out directions from the Engineer or his authorized

representatives. He shall be an employee of the Contractor(s) unless otherwise approved by the Engineer.

The Contractor(s) may, at his option, designate one employee to meet the requirements of both positions. However, whenever the designated employee is absent from the work site, an authorized individual qualified to act in a supervisory capacity on the project shall be present.

NOTIFICATION OF WORK:

The Contractor shall notify Mr. Brian Glover at (252) 395-2441 one week prior to commencement of work. Additionally, the Contractor must submit a list of proposed work sites on the Friday preceding the week in which the work will occur. An inspector(s) will be assigned to oversee the approval of the completed work.

PAYMENT:

If the project extends for a period greater than 4 weeks, the Contractor may submit a request for partial payment on a monthly basis. Compensation for all pay items shall be in accordance with the *Standard Specifications*. The amount of partial payment shall be based solely upon the work completed and accepted as of the final day of the approved pay period.

Request for payment shall be made by Contractor's Invoice submitted to:

**NCDOT
Attn: Mr. Randy Davis
PO Box 3165
Wilson, NC 27895**

All invoice items and unit cost shall correspond to contract pay items. In the event of error or discrepancy, the Department may return the invoice to the Contractor for correction.

PROJECT SPECIAL PROVISIONS

ROADWAY

BURNING RESTRICTIONS:

(7-1-95)

200, 210, 215

SP2 R05

Open burning is not permitted on any portion of the right-of-way limits established for this project. Do not burn the clearing, grubbing or demolition debris designated for disposal and generated from the project at locations within the project limits, off the project limits or at any waste or borrow sites in this county. Dispose of the clearing, grubbing and demolition debris by means other than burning, according to state or local rules and regulations.

MATERIAL AND EQUIPMENT STORAGE & PARKING OF PERSONAL VEHICLES:

11-17-21

1101

SP11 R03

Revise the *2018 Standard Specifications* as follows:

Page 11-2, Article 1101-8 MATERIAL AND EQUIPMENT STORAGE, line 35-38, delete and replace with the following:

When work is not in progress, keep all personnel, equipment, machinery, tools, construction debris, materials and supplies away from active travel lanes that meets Table 1101-1.

TABLE 1101-1 MATERIAL AND EQUIPMENT STORAGE FROM ACTIVE TRAVEL LANES	
Posted Speed Limit (mph)	Distance (ft)
40 or less	≥ 18
45-50	≥ 28
55	≥ 32
60 or higher	≥ 40

When vehicles, equipment and materials are protected by concrete barrier or guardrail, they shall be offset at least 5 feet from the barrier or guardrail.

Page 11-2, Article 1101-9 PARKING OF PERSONAL VEHICLES, line 40-41, delete and replace with the following:

Provide staging areas for personal vehicle parking in accordance with section 1101-8 or as directed by the Engineer before use.

CUTTING AND REMOVAL OF VEGETATION:

The Contractor shall cut all vegetation that is accessible including, but not limited to, saplings, small trees, weeds, vines, shrubs, and weedy and woody vegetation to a height of no more than 3” from the ground. Site conditions may warrant the need for accessibility options such as a foot

bridge, kayak, john boat, etc., as approved by the Engineer. All woody vegetation shall be removed from the right of way. In some subdivision/residential areas, cuttings may need to be removed from the actual cut site and disposed of at a landfill site or other designated area approved by the Engineer. Brush and tree branches with a diameter greater than 3" shall be removed from the site or chipped within a period of two (2) weeks after cutting. If the Contractor elects to chip larger diameter branches, the shavings may be spread at the project site so long as shavings are not unsightly amassed.

Bridge:

The extent of cutting and removal of vegetation, clippings, and debris around each bridge located on or crossing a primary route shall be the minimum of thirty feet (30') from the edge of structure or the extent of the existing maintenance limit and fifteen feet (15') from the end of the bridge. Furthermore, the cutting and removal area includes areas underneath the bridge and on the entire slope at each end bent (**Figure 1**). All vines shall be cut and removed from the underside and slope protection of the bridge. Vines that are climbing vertically on bridge columns or piles shall be cut at ground-level and removed from the column or pile if possible. Additionally, all vegetation located between dual bridges shall be cut and removed as depicted in **Figure 2**.

Culvert:

The Contractor shall cut and remove all vegetation, clippings, and debris around each box and pipe culvert a minimum of ten feet (10') from the wing-wall or end wall measured along the stream and ten feet (10') measured from the edge of the culvert, wing-wall, or end wall, whichever is greater (**Figure 3**).

Figure 4 details the mowing and vegetation removal limits in the open median region between two culverts located under a divided highway.

If a bridge, culvert, or pipe location has been recently mowed by the Department's maintenance forces, the Contractor will not be responsible for Cutting and Removal of Vegetation at that location. No payment will be made when work is not required.

The Contractor shall provide a minimum of 12 fully operated straight shaft string trimmers or comparable equipment and a service vehicle to complete the project. The Contractor may cut the vegetation by mowing, cutting, weed eating, or other approved methods that are comparable to a minimum of 12 fully operated straight shaft trimmers.

The Contractor shall be responsible for all equipment necessary to complete the project. The Contractor shall have no claim against the Department of Transportation for any expense involving damage or loss to the Contractor's equipment (including, but not limited to, vandalism, theft, fire, and acts of God) arising out of, or relating to, work performed under this agreement. The Contractor is responsible for all operations costs and maintenance of any equipment throughout the life of the project.

Unless directed by the Engineer, the Contractor shall not enter nor complete any work in designated landscape areas and wetland mitigation sites.

Payment for this item shall be as follows:

Wilson Interstate Bridges.....	EA
Wilson Primary Bridges.....	EA
Wilson Secondary Bridges.....	EA
Wilson Interstate Non Inventory Pipes.....	EA
Wilson Primary Non Inventory Pipes.....	EA
Wilson Secondary Non Inventory Pipes.....	EA
Edgcombe Primary Bridges.....	EA
Edgcombe Secondary Bridges.....	EA
Edgcombe Primary Non Inventory Pipes.....	EA
Edgcombe Secondary Non Inventory Pipes.....	EA
Edgcombe Co. Bridge #345 – SR 1537.....	EA
Nash Interstate Bridges.....	EA
Nash Primary Bridges	EA
Nash Secondary Bridges.....	EA
Nash Interstate Non Inventory Pipes	EA
Nash Primary Non Inventory Pipes.....	EA
Nash Secondary Non Inventory Pipes.....	EA
Nash Co. Bridge #331 – SR 1524.....	EA
Halifax Interstate Bridges.....	EA
Halifax Primary Bridges.....	EA
Halifax Secondary Bridges.....	EA
Halifax Interstate Non Inventory Pipes.....	EA
Halifax Primary Non Inventory Pipes.....	EA
Halifax Secondary Non Inventory Pipes.....	EA
Northampton Interstate Bridges.....	EA
Johnston Interstate Bridges.....	EA
Johnston Primary Bridges.....	EA
Johnston Secondary Bridges.....	EA
Johnston Interstate Non Inventory Pipes.....	EA
Johnston Primary Non Inventory Pipes.....	EA
Johnston Secondary Non Inventory Pipes.....	EA
Johnston Co. Bridge #608 – SR 1923.....	EA
Johnston Co. Bridge #600 – US 70 BYPASS WB.....	EA
Johnston Co. Bridge #601 – US 70 BYPASS EB.....	EA
Wayne Interstate Bridges.....	EA
Wayne Primary Bridges.....	EA
Wayne Secondary Bridges.....	EA
Wayne Interstate Non Inventory Pipes.....	EA
Wayne Primary Non Inventory Pipes.....	EA
Wayne Secondary Non Inventory Pipes.....	EA
Wayne Co. Bridge #328 – I-795.....	EA
Wayne Co. Bridge #329 – I-795.....	EA

Wayne Co. Bridge #375 – US 70 ByPass (over Clairidge Rd)EA
Wayne Co. Bridge #376 – US 70 ByPass Eastbound (over Clairidge Rd).....EA

GUARDRAIL/GUIDERAIL MOWING:

The normal area for cutting and removal of vegetation at guardrail and guiderail shall be an area beginning at the edge of pavement and extending five feet (5') beyond the back of the guardrail/guiderail post (See **Figure 4**). Additionally, the cutting area shall extend five feet (5') beyond the end of the guardrail/guiderail. No payment will be made for mowing of guardrail/guiderail that is located in the vegetation cutting and removal area of a bridge or culvert included in this contract.

Payment for this item shall be as follows:

Guardrail/Guiderail Mowing.....LF

MOWING OPEN SLOPE:

The Engineer or his representative shall inform the Contractor of the extent of mowing and vegetation removal. If the severity of the slope dictates, the Contractor shall perform the work without the use of a propelled mower.

Payment for this item shall be as follows:

Mowing Open Slope.....SF

LITTER PICK-UP AND REMOVAL:

Litter pick-up shall be performed at all locations of work. No direct payment will be made for litter pick-up, as this work will be considered incidental to the project. The contractor shall remove and dispose of minor litter; however, larger items such as tires and mattresses may be positioned at the end of the bridge, a safe distance from the roadway. The Contractor shall notify Brian Glover daily if large litter items have been located adjacent to bridges, culverts, or pipes; Department of Transportation forces will pick-up and dispose of the large litter items.

SILT FENCE POST REMOVAL AND DISPOSAL

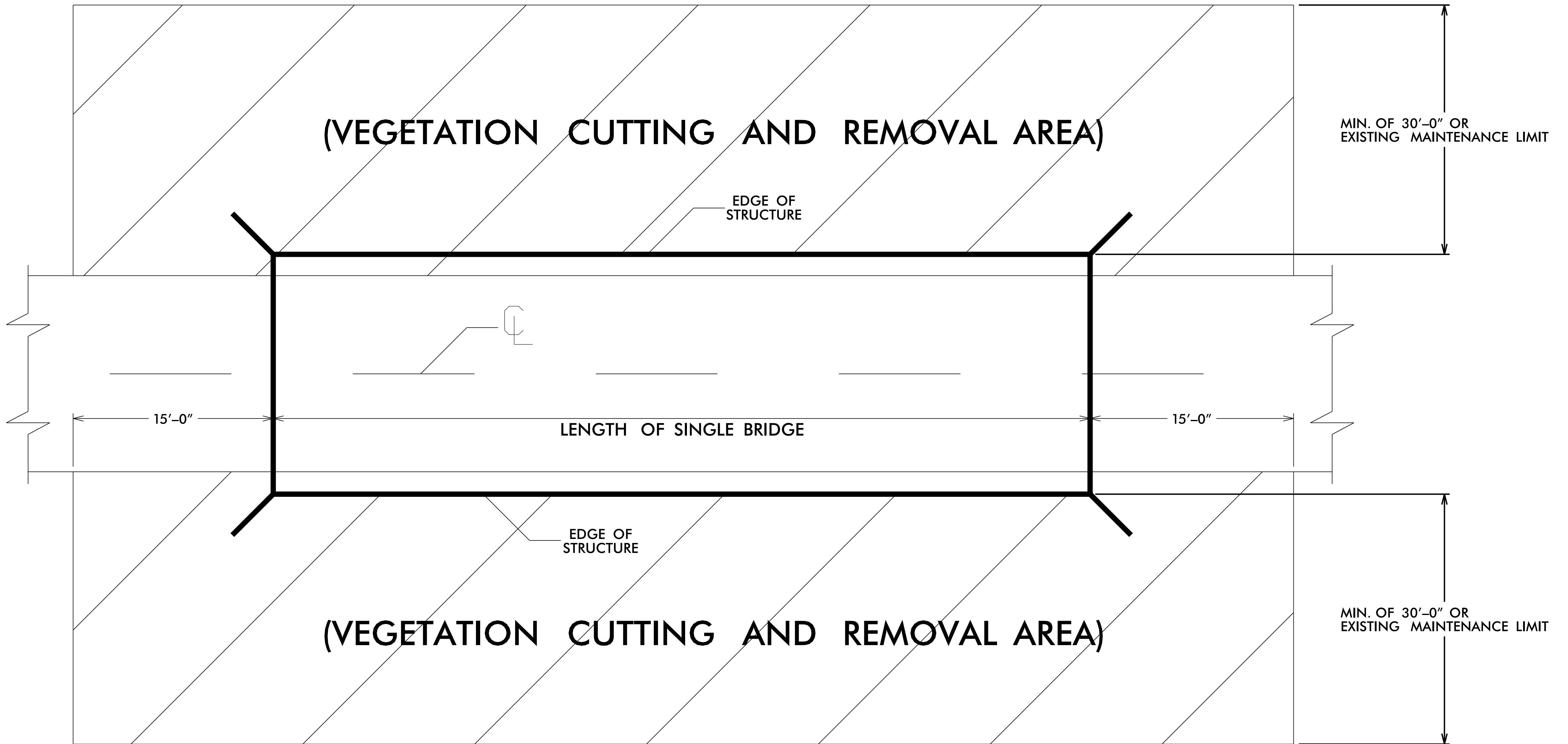
When directed by the Engineer, the Contractor shall remove sections of silt fence from existing locations. Work shall include removal of silt fence posts and hardware cloth. Additionally, work shall include removal of silt fence material by cutting of silt fence material at existing ground level and removing without disturbing the soil. Portions of the material that cannot be removed without disturbing the existing ground shall be left in place. The Contractor shall properly dispose of all material offsite. The Contractor shall be paid for the actual number of silt fence posts removed. Payment at the contract unit price per each shall include all labor, equipment and materials to properly remove and dispose of all associated materials as stated above.

Payment for this item shall be as follows:

Silt Fence Post Removal and Disposal.....EA

WORK ZONE SAFETY:

When directed by the Engineer the Contractor shall put out portable work zone signs in accordance with the latest edition of the MUTCD. The Contractor is responsible for locating the service vehicle in a safe location while work is being performed. Whenever possible the Contractor shall position his vehicle behind the guardrail adjacent to bridge and culvert approaches. At work locations where guardrail is absent, the Contractor must position his vehicle a distance greater than five feet (5') from the edge of pavement; however, the vehicle shall be as far from the roadway as is practically possible. When the Contractor is unable to protect his vehicle and the travelling public with the use of guardrail, he shall position a minimum of five (5) cones meeting approval of the *Standard Specifications*. No additional payment for cones will be made. The Contractor shall display a highly visible caution light on each vehicle throughout the duration of work. At no time is the Contractor allowed to close or narrow a lane of traffic.



**NORMAL VEGETATION REMOVAL AREA
(INCLUDES UNDERSIDE OF BRIDGE)
SINGLE BRIDGE**

PROJECT NO: _____
 DIVISION: _____
 STATION: _____

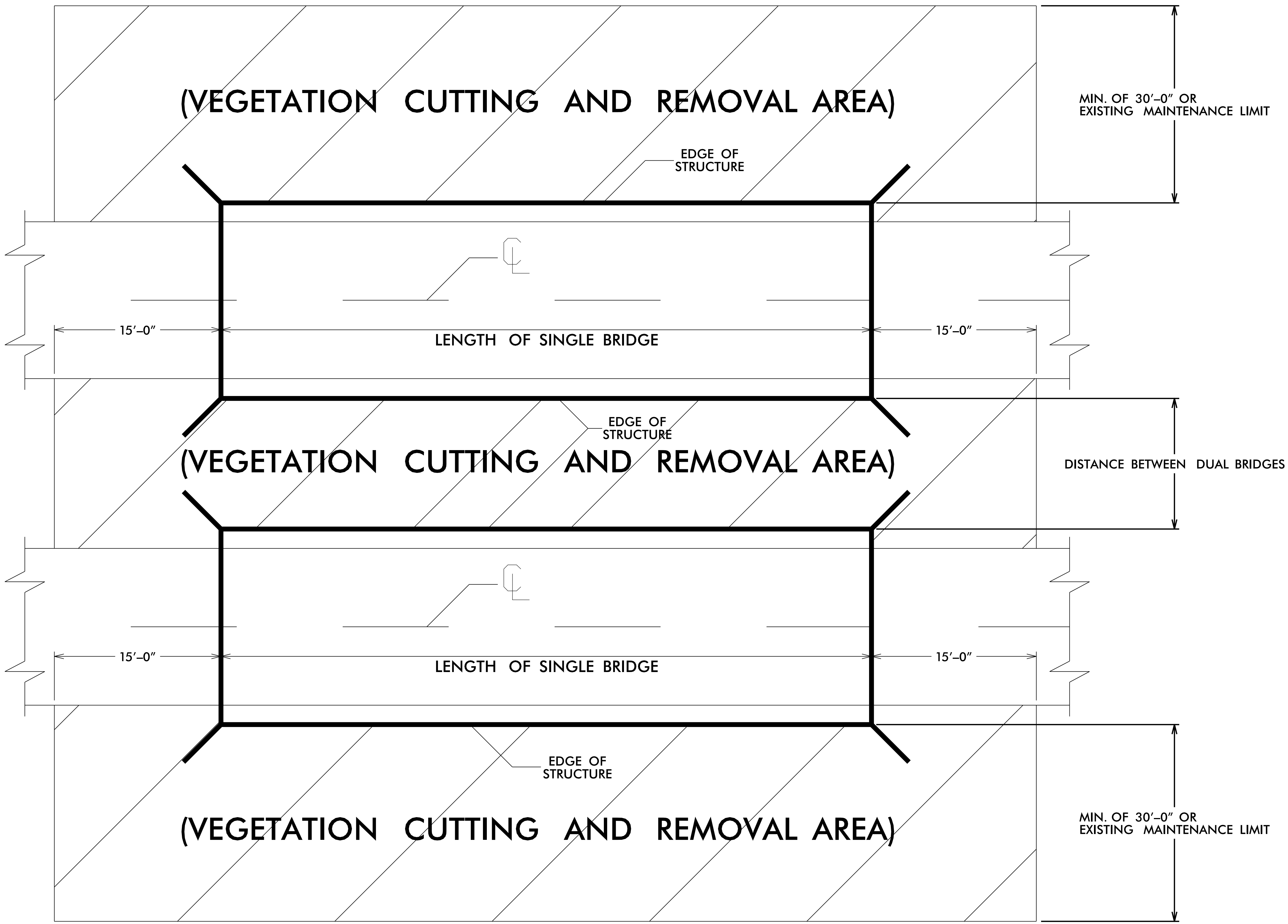
STATE OF NORTH CAROLINA
 DEPARTMENT OF TRANSPORTATION

VEGETATION CUTTING
 AND REMOVAL LIMITS
 AT PRIMARY BRIDGE
 LOCATIONS

FIGURE 1

DRAWN BY: _____ DATE: _____
 CHECKED BY: _____ DATE: _____

REVISIONS						SHEET NO.
NO	BY:	DATE:	NO	BY:	DATE:	TOTAL SHEETS
1			3			
2			4			



**NORMAL VEGETATION REMOVAL AREA
(INCLUDES UNDERSIDE OF BRIDGE)
DUAL BRIDGES**

FIGURE 2

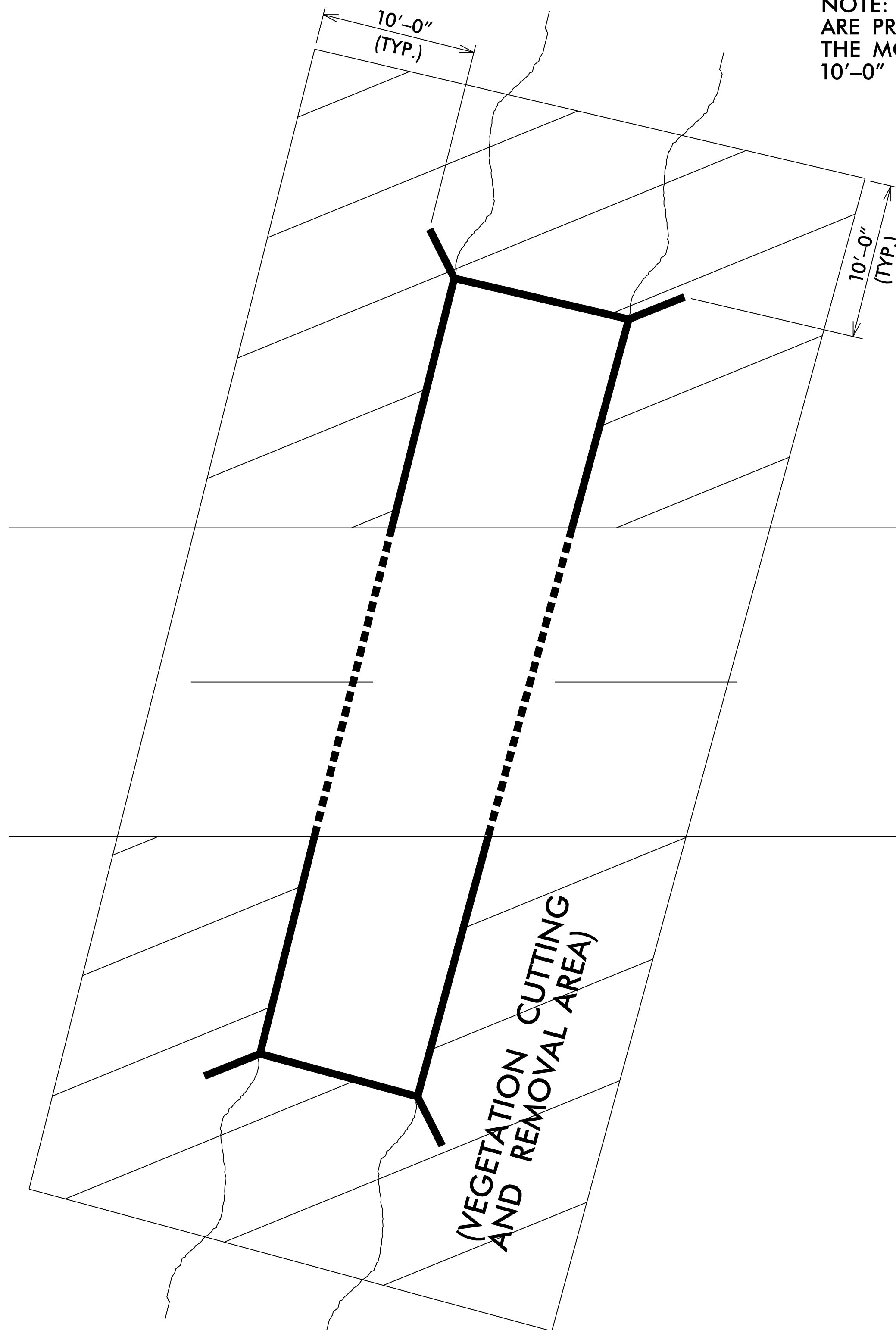
PROJECT NO: _____
 DIVISION: _____
 STATION: _____

STATE OF NORTH CAROLINA
 DEPARTMENT OF TRANSPORTATION

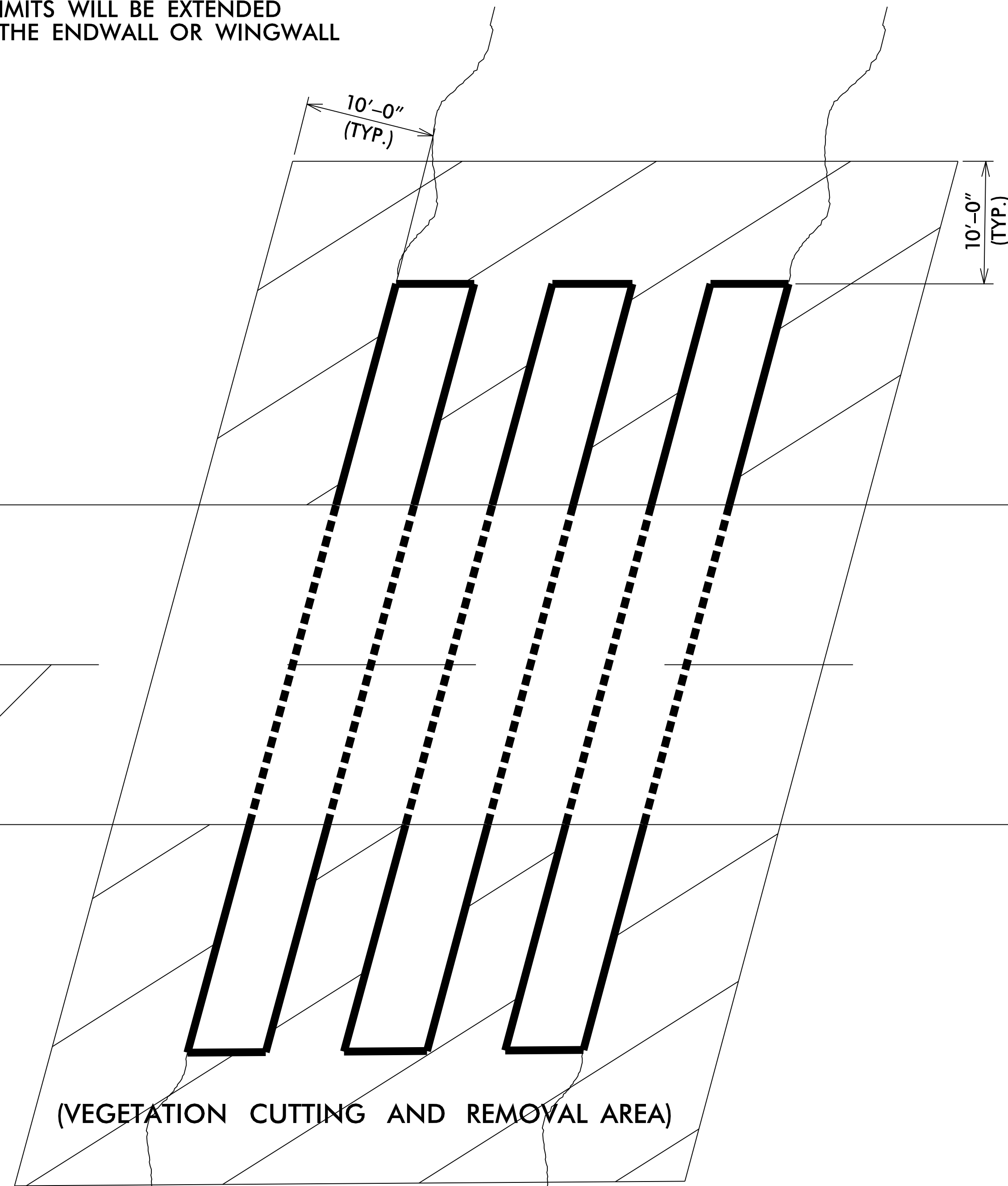
VEGETATION CUTTING
 AND REMOVAL LIMITS
 AT PRIMARY BRIDGE
 LOCATIONS

REVISIONS						SHEET NO.
NO	BY:	DATE:	NO	BY:	DATE:	TOTAL SHEETS
1			3			
2			4			

NOTE: IF A ENDWALL OR WINGWALLS ARE PRESENT ON A CULVERT, THE MOWING LIMITS WILL BE EXTENDED 10'-0" BEYOND THE ENDWALL OR WINGWALL



BOX CULVERT



(VEGETATION CUTTING AND REMOVAL AREA)

PIPE CULVERT

**NORMAL VEGETATION REMOVAL AREA
(AT BOX AND PIPE CULVERTS)**

PROJECT NO: _____
 DIVISION: _____
 STATION: _____

STATE OF NORTH CAROLINA
 DEPARTMENT OF TRANSPORTATION

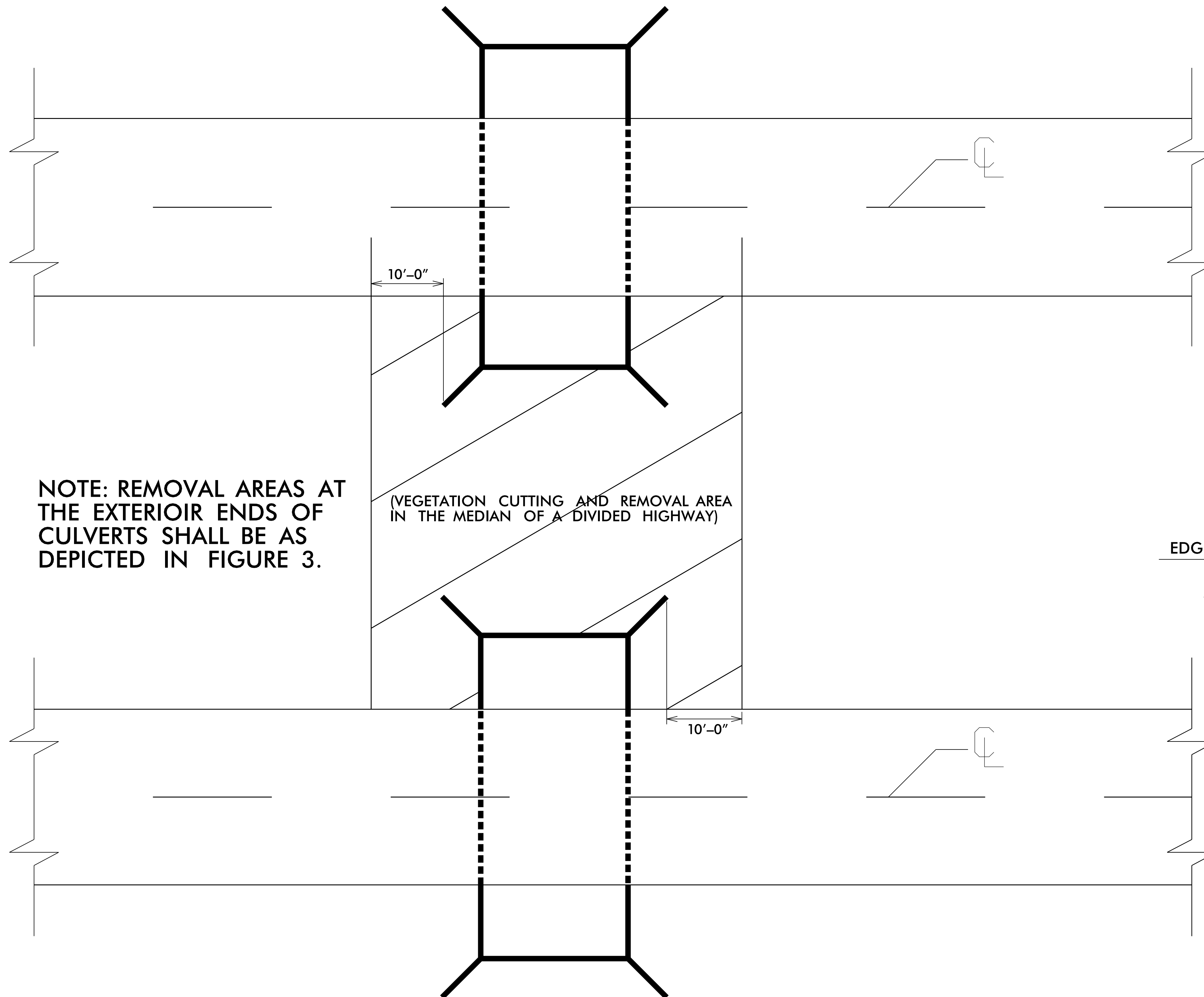
VEGETATION CUTTING
 AND REMOVAL LIMITS
 AT PRIMARY BRIDGE
 LOCATIONS

FIGURE 3

DRAWN BY: _____ DATE: _____
 CHECKED BY: _____ DATE: _____

REVISIONS						SHEET NO.
NO	BY:	DATE:	NO	BY:	DATE:	TOTAL SHEETS
1			3			
2			4			

NOTE: IF A ENDWALL OR WINGWALLS ARE PRESENT ON A CULVERT, THE MOWING LIMITS WILL BE EXTENDED 10'-0" BEYOND THE ENDWALL OR WINGWALL

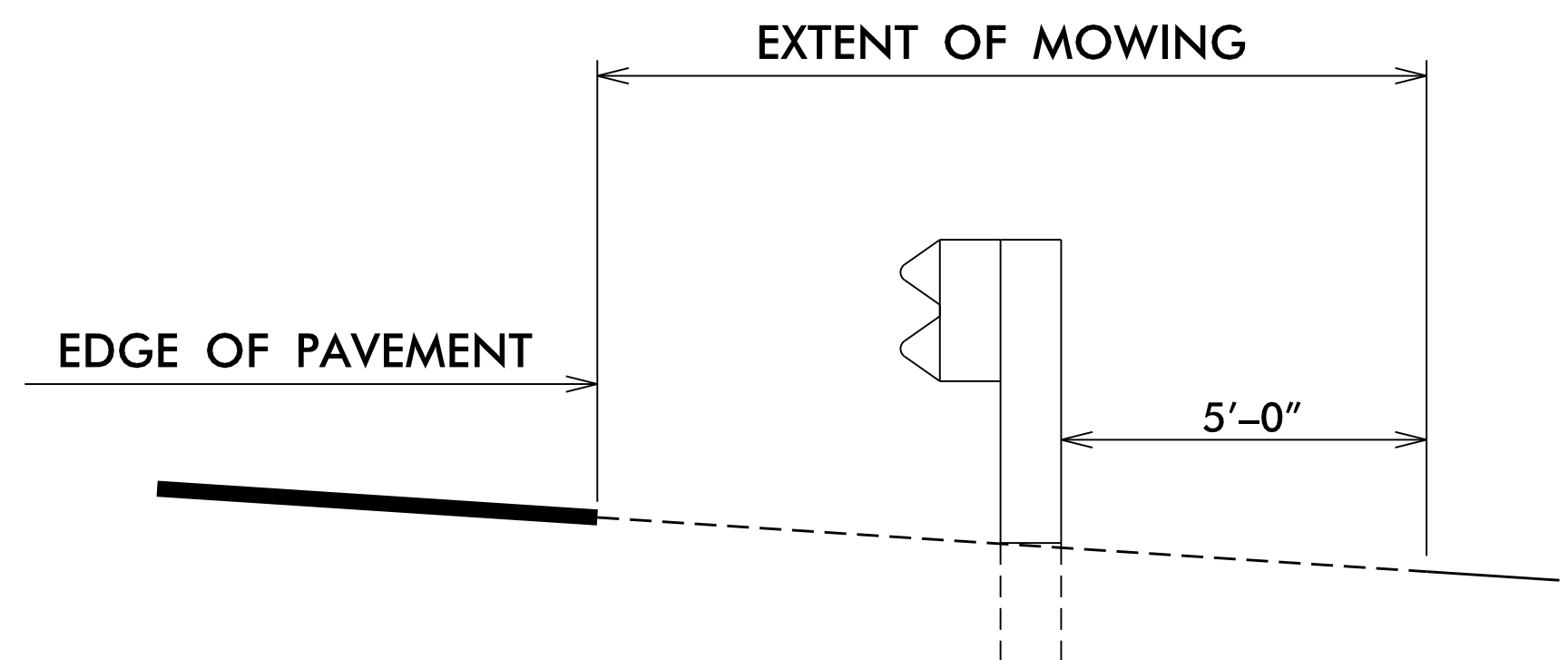


NOTE: REMOVAL AREAS AT THE EXTERIOR ENDS OF CULVERTS SHALL BE AS DEPICTED IN FIGURE 3.

(VEGETATION CUTTING AND REMOVAL AREA IN THE MEDIAN OF A DIVIDED HIGHWAY)

**NORMAL VEGETATION REMOVAL AREA
(MEDIAN OPENING BETWEEN CULVERTS)**

GUARDRAIL MOWING



PROJECT NO: _____
 DIVISION: _____
 STATION: _____

STATE OF NORTH CAROLINA
 DEPARTMENT OF TRANSPORTATION

VEGETATION CUTTING AND REMOVAL LIMITS AT PRIMARY BRIDGE LOCATIONS

FIGURE 4

DRAWN BY:	DATE:
CHECKED BY:	DATE:

REVISIONS						SHEET NO.
NO	BY:	DATE:	NO	BY:	DATE:	TOTAL SHEETS
1			3			
2			4			

STANDARD SPECIAL PROVISION
AVAILABILITY OF FUNDS – TERMINATION OF CONTRACTS

(5-20-08)

Z-2

General Statute 143C-6-11. (h) Highway Appropriation is hereby incorporated verbatim in this contract as follows:

(h) Amounts Encumbered. – Transportation project appropriations may be encumbered in the amount of allotments made to the Department of Transportation by the Director for the estimated payments for transportation project contract work to be performed in the appropriation fiscal year. The allotments shall be multiyear allotments and shall be based on estimated revenues and shall be subject to the maximum contract authority contained in *General Statute 143C-6-11(c)*. Payment for transportation project work performed pursuant to contract in any fiscal year other than the current fiscal year is subject to appropriations by the General Assembly. Transportation project contracts shall contain a schedule of estimated completion progress, and any acceleration of this progress shall be subject to the approval of the Department of Transportation provided funds are available. The State reserves the right to terminate or suspend any transportation project contract, and any transportation project contract shall be so terminated or suspended if funds will not be available for payment of the work to be performed during that fiscal year pursuant to the contract. In the event of termination of any contract, the contractor shall be given a written notice of termination at least 60 days before completion of scheduled work for which funds are available. In the event of termination, the contractor shall be paid for the work already performed in accordance with the contract specifications.

Payment will be made on any contract terminated pursuant to the special provision in accordance with Subarticle 108-13(D) of the *2018 Standard Specifications*.

STANDARD SPECIAL PROVISION

ERRATA

(10-16-18) (Rev.1-18-22)

Z-4

Revise the *2018 Standard Specifications* as follows:

Division 6

Page 6-7, Article 609-1 DESCRIPTION, line 29, replace article number “609-10” with “609-9”.

Division 7

Page 7-27, Article 725-1 MEASUREMENT AND PAYMENT, line 4, replace article number “725-1” with “724-4”.

Page 7-28, Article 725-1 MEASUREMENT AND PAYMENT, line 10, replace article number “725-1” with “725-3”.

Division 10

Page 10-78, Article 1056-4 GEOTEXTILES, TABLE 1056-1, Permittivity, Type 2, replace “Table 6^D” with “Table 7^D” and **Permittivity, Type 3^B,** replace “Table 7^D” with “Table 8^D”.

Page 10-121, Article 1076-7, REPAIR OF GALVANIZING, line 8, replace article number “1080-9” with “1080-7”.

Page 10-162, Article 1080-50 PAINT FOR VERTICAL MARKERS, line 1, replace article number “1080-50” with “1080-10”.

Page 10-162, Article 1080-61 EPOXY RESIN FOR REINFORCING STEEL, line 5, replace article number “1080-61” with “1080-11”.

Page 10-162, Article 1080-72 ABRASIVE MATERIALS FOR BLAST CLEANING STEEL, line 22, replace article number “1080-72” with “1080-12”.

Page 10-163, Article 1080-83 FIELD PERFORMANCE AND SERVICES, line 25, replace article number “1080-83” with “1080-13”.

Division 17

Page 17-15, Article 1715-4 MEASUREMENT AND PAYMENT, lines 42-44, replace the second sentence with the following:

An example is an installation of a single 1.25 inch HDPE conduit would be paid as:

Directional Drill (1)(1.25”) Linear Foot

Page 17-15, Subarticle 1715-3(E) Bore and Jack, line 5, replace article number “1540-4” with “1550-4”.

Page 17-15, Subarticle 1715-3(E) Bore and Jack, lines 10 & 11, replace "*NCDOT Policies and Procedures for Accommodating Utilities on Highway Rights of Way*" with "*NCDOT Utilities Accommodations Manual*".

STANDARD SPECIAL PROVISION

PLANT AND PEST QUARANTINES

**(Imported Fire Ant, Gypsy Moth, Witchweed, Emerald Ash Borer, Guava Root Knot
Nematode, And Other Noxious Weeds)**

(3-18-03) (Rev. 5-21-19)

Z-04a

Within Quarantined Area

This project may be within a county regulated for plant and/or pests. If the project or any part of the Contractor's operations is located within a quarantined area, thoroughly clean all equipment prior to moving out of the quarantined area. Comply with federal/state regulations by obtaining a certificate or limited permit for any regulated article moving from the quarantined area.

Originating in a Quarantined County

Obtain a certificate or limited permit issued by the N.C. Department of Agriculture/United States Department of Agriculture. Have the certificate or limited permit accompany the article when it arrives at the project site.

Contact

Contact the N.C. Department of Agriculture/United States Department of Agriculture at 1-800-206-9333, 919-707-3730, or <https://www.ncagr.gov/plantindustry/Plant/quaran/table2.htm> to determine those specific project sites located in the quarantined area or for any regulated article used on this project originating in a quarantined county.

Regulated Articles Include

1. Soil, sand, gravel, compost, peat, humus, muck, and decomposed manure, separately or with other articles. This includes movement of articles listed above that may be associated with cut/waste, ditch pulling, and shoulder cutting.
2. Plants with roots including grass sod.
3. Plant crowns and roots.
4. Bulbs, corms, rhizomes, and tubers of ornamental plants.
5. Hay, straw, fodder, and plant litter of any kind.
6. Clearing and grubbing debris.
7. Used agricultural cultivating and harvesting equipment.
8. Used earth-moving equipment.
9. Any other products, articles, or means of conveyance, of any character, if determined by an inspector to present a hazard of spreading imported fire ant, gypsy moth, witchweed, emerald ash borer, guava root knot nematode, or other noxious weeds.

STANDARD SPECIAL PROVISION

MINIMUM WAGES

(7-21-09)

Z-5

FEDERAL: The Fair Labor Standards Act provides that with certain exceptions every employer shall pay wages at the rate of not less than SEVEN DOLLARS AND TWENTY FIVE CENTS (\$7.25) per hour.

STATE: The North Carolina Minimum Wage Act provides that every employer shall pay to each of his employees, wages at a rate of not less than SEVEN DOLLARS AND TWENTY FIVE CENTS (\$7.25) per hour.

The minimum wage paid to all skilled labor employed on this contract shall be SEVEN DOLLARS AND TWENTY FIVE CENTS (\$7.25) per hour.

The minimum wage paid to all intermediate labor employed on this contract shall be SEVEN DOLLARS AND TWENTY FIVE CENTS (\$7.25) per hour.

The minimum wage paid to all unskilled labor on this contract shall be SEVEN DOLLARS AND TWENTY FIVE CENTS (\$7.25) per hour.

This determination of the intent of the application of this act to the contract on this project is the responsibility of the Contractor.

The Contractor shall have no claim against the Department of Transportation for any changes in the minimum wage laws, Federal or State. It is the responsibility of the Contractor to keep fully informed of all Federal and State Laws affecting his contract.

STANDARD SPECIAL PROVISION

TITLE VI AND NONDISCRIMINATION:

(6-28-77)(Rev 6/19/2018)

Z-6

Revise the *2018 Standard Specifications* as follows:

Replace Article 103-4(B) with the following:

The North Carolina Department of Transportation is committed to carrying out the U.S. Department of Transportation's policy of ensuring nondiscrimination in the award and administration of contracts.

The provisions of this section related to United States Department of Transportation (US DOT) Order 1050.2A, Title 49 Code of Federal Regulations (CFR) part 21, 23 United States Code (U.S.C.) 140 and 23 CFR part 200 (or 49 CFR 303, 49 U.S.C. 5332 or 49 U.S.C. 47123) are applicable to all North Carolina Department of Transportation (NCDOT) contracts and to all related subcontracts, material supply, engineering, architectural and other service contracts, regardless of dollar amount. Any Federal provision that is specifically required not specifically set forth is hereby incorporated by reference.

(1) Title VI Assurances (USDOT Order 1050.2A, Appendix A)

During the performance of this contract, the contractor, for itself, its assignees, and successors in interest (hereinafter referred to as the "contractor") agrees as follows:

(a) Compliance with Regulations

The contractor (hereinafter includes consultants) shall comply with the Acts and the Regulations relative to Nondiscrimination in Federally-assisted programs of the U.S. Department of Transportation, Federal Highway Administration (FHWA), as they may be amended from time to time, which are herein incorporated by reference and made a part of this contract.

(b) Nondiscrimination

The contractor, with regard to the work performed by it during the contract, shall not discriminate on the grounds of race, color, or national origin in the selection and retention of subcontractors, including procurements of materials and leases of equipment. The contractor shall not participate directly or indirectly in the discrimination prohibited by the Acts and the Regulations, including employment practices when the contract covers any activity, project, or program set forth in Appendix B of 49 CFR Part 21.

(c) Solicitations for Subcontractors, Including Procurements of Materials and Equipment

In all solicitations, either by competitive bidding, or negotiation made by the contractor for work to be performed under a subcontract, including procurements of materials, or leases of equipment, each potential subcontractor or supplier shall be notified by the contractor of the contractor's obligations under this contract and the Acts and the Regulations relative to Nondiscrimination on the grounds of race, color, or national origin.

(d) Information and Reports

The contractor shall provide all information and reports required by the Acts, the Regulations, and directives issued pursuant thereto and shall permit access to its books, records, accounts, other sources of information, and its facilities as may be determined by the Recipient or the FHWA to be pertinent to ascertain compliance with such Acts, Regulations, and instructions. Where any information required of a contractor is in the exclusive possession of another who fails or refuses to furnish the information, the contractor shall so certify to the Recipient or the FHWA, as appropriate, and shall set forth what efforts it has made to obtain the information.

(e) Sanctions for Noncompliance:

In the event of a contractor's noncompliance with the Non-discrimination provisions of this contract, the Recipient will impose such contract sanctions as it and/or the FHWA may determine to be appropriate, including, but not limited to:

- (i) Withholding payments to the contractor under the contract until the contractor complies; and/or
- (ii) Cancelling, terminating, or suspending a contract, in whole or in part.

(f) Incorporation of Provisions

The contractor shall include the provisions of paragraphs (a) through (f) in every subcontract, including procurements of materials and leases of equipment, unless exempt by the Acts, the Regulations and directives issued pursuant thereto. The contractor shall take action with respect to any subcontract or procurement as the Recipient or the FHWA may direct as a means of enforcing such provisions including sanctions for noncompliance. Provided, that if the contractor becomes involved in, or is threatened with litigation by a subcontractor, or supplier because of such direction, the contractor may request the Recipient to enter into any litigation to protect the interests of the Recipient. In addition, the contractor may request the United States to enter into the litigation to protect the interests of the United States.

(2) **Title VI Nondiscrimination Program (23 CFR 200.5(p))**

The North Carolina Department of Transportation (NCDOT) has assured the USDOT that, as a condition to receiving federal financial assistance, NCDOT will comply with Title VI of the Civil Rights Act of 1964 and all requirements imposed by Title 49 CFR part 21 and related nondiscrimination authorities to ensure that no person shall, on the ground of race, color, national origin, limited English proficiency, sex, age, or disability (including religion/creed or income-level, where applicable), be excluded from participation in, be denied the benefits of, or be subjected to discrimination under any programs, activities, or services conducted or funded by NCDOT. Contractors and other organizations under contract or agreement with NCDOT must also comply with Title VI and related authorities, therefore:

- (a) During the performance of this contract or agreement, contractors (e.g., subcontractors, consultants, vendors, prime contractors) are responsible for complying with NCDOT's Title VI Program. Contractors are not required to prepare or submit Title VI Programs. To comply with this section, the prime contractor shall:
 - 1. Post NCDOT's Notice of Nondiscrimination and the Contractor's own Equal Employment Opportunity (EEO) Policy in conspicuous locations accessible to all employees, applicants and subcontractors on the jobsite.

2. Physically incorporate the required Title VI clauses into all subcontracts on federally-assisted and state-funded NCDOT projects, and ensure inclusion by subcontractors into all lower-tier subcontracts.
 3. Required Solicitation Language. The Contractor shall include the following notification in all solicitations for bids and requests for work or material, regardless of funding source:
“The North Carolina Department of Transportation, in accordance with the provisions of Title VI of the Civil Rights Act of 1964 (78 Stat. 252, 42 US.C. §§ 2000d to 2000d-4) and the Regulations, hereby notifies all bidders that it will affirmatively ensure that any contract entered into pursuant to this advertisement, disadvantaged business enterprises will be afforded full and fair opportunity to submit bids in response to this invitation and will not be discriminated against on the grounds of race, color, or national origin in consideration for an award. In accordance with other related nondiscrimination authorities, bidders and contractors will also not be discriminated against on the grounds of sex, age, disability, low-income level, creed/religion, or limited English proficiency in consideration for an award.”
 4. Physically incorporate the FHWA-1273, in its entirety, into all subcontracts and subsequent lower tier subcontracts on Federal-aid highway construction contracts only.
 5. Provide language assistance services (i.e., written translation and oral interpretation), free of charge, to LEP employees and applicants. Contact NCDOT OCR for further assistance, if needed.
 6. For assistance with these Title VI requirements, contact the NCDOT Title VI Nondiscrimination Program at 1-800-522-0453.
- (b) Subrecipients (e.g. cities, counties, LGAs, planning organizations) may be required to prepare and submit a Title VI Plan to NCDOT, including Title VI Assurances and/or agreements. Subrecipients must also ensure compliance by their contractors and subrecipients with Title VI. (23 CFR 200.9(b)(7))
- (c) If reviewed or investigated by NCDOT, the contractor or subrecipient agrees to take affirmative action to correct any deficiencies found within a reasonable time period, not to exceed 90 calendar days, unless additional time is granted by NCDOT. (23 CFR 200.9(b)(15))
- (d) The Contractor is responsible for notifying subcontractors of NCDOT’s External Discrimination Complaints Process.
1. Applicability
Title VI and related laws protect participants and beneficiaries (e.g., members of the public and contractors) from discrimination by NCDOT employees, subrecipients and contractors, regardless of funding source.
 2. Eligibility
Any person—or class of persons—who believes he/she has been subjected to discrimination based on race, color, national origin, Limited English Proficiency (LEP), sex, age, or disability (and religion in the context of employment, aviation, or transit) may file a written complaint. The law also prohibits intimidation or retaliation of any sort.
 3. Time Limits and Filing Options

Complaints may be filed by the affected individual(s) or a representative and must be filed no later than 180 calendar days after the following:

- (i) The date of the alleged act of discrimination; or
- (ii) The date when the person(s) became aware of the alleged discrimination; or
- (iii) Where there has been a continuing course of conduct, the date on which that conduct was discontinued or the latest instance of the conduct.

Title VI and related discrimination complaints may be submitted to the following entities:

- North Carolina Department of Transportation, Office of Civil Rights, Title VI Program, 1511 Mail Service Center, Raleigh, NC 27699-1511; toll free 1-800-522-0453
- Federal Highway Administration, North Carolina Division Office, 310 New Bern Avenue, Suite 410, Raleigh, NC 27601, 919-747-7010
- US Department of Transportation, Departmental Office of Civil Rights, External Civil Rights Programs Division, 1200 New Jersey Avenue, SE, Washington, DC 20590; 202-366-4070

4. Format for Complaints

Complaints must be in writing and signed by the complainant(s) or a representative, and include the complainant’s name, address, and telephone number. Complaints received by fax or e-mail will be acknowledged and processed. Allegations received by telephone will be reduced to writing and provided to the complainant for confirmation or revision before processing. Complaints will be accepted in other languages, including Braille.

5. Discrimination Complaint Form

Contact NCDOT Civil Rights to receive a full copy of the Discrimination Complaint Form and procedures.

6. Complaint Basis

Allegations must be based on issues involving race, color, national origin (LEP), sex, age, disability, or religion (in the context of employment, aviation or transit). “Basis” refers to the complainant’s membership in a protected group category.

**TABLE 103-1
COMPLAINT BASIS**

Protected Categories	Definition	Examples	Applicable Nondiscrimination Authorities
Race and Ethnicity	An individual belonging to one of the accepted racial groups; or the perception, based usually on physical characteristics that a person is a member of a racial group	Black/African American, Hispanic/Latino, Asian, American Indian/Alaska Native, Native Hawaiian/Pacific Islander, White	Title VI of the Civil Rights Act of 1964; 49 CFR Part 21; 23 CFR 200; 49 U.S.C. 5332(b); 49 U.S.C. 47123. <i>(Executive Order 13166)</i>
Color	Color of skin, including shade of skin within a racial group	Black, White, brown, yellow, etc.	

National Origin (<i>Limited English Proficiency</i>)	Place of birth. Citizenship is not a factor. (<i>Discrimination based on language or a person's accent is also covered</i>)	Mexican, Cuban, Japanese, Vietnamese, Chinese	
Sex	Gender. The sex of an individual. <i>Note: Sex under this program does not include sexual orientation.</i>	Women and Men	1973 Federal-Aid Highway Act; 49 U.S.C. 5332(b); 49 U.S.C. 47123.
Age	Persons of any age	21-year-old person	Age Discrimination Act of 1975 49 U.S.C. 5332(b); 49 U.S.C. 47123.
Disability	Physical or mental impairment, permanent or temporary, or perceived.	Blind, alcoholic, para-amputee, epileptic, diabetic, arthritic	Section 504 of the Rehabilitation Act of 1973; Americans with Disabilities Act of 1990
Religion (in the context of employment) (<i>Religion/ Creed in all aspects of any aviation or transit-related construction</i>)	An individual belonging to a religious group; or the perception, based on distinguishable characteristics that a person is a member of a religious group. In practice, actions taken as a result of the moral and ethical beliefs as to what is right and wrong, which are sincerely held with the strength of traditional religious views. <i>Note:</i> Does not have to be associated with a recognized religious group or church; if an individual sincerely holds to the belief, it is a protected religious practice.	Muslim, Christian, Sikh, Hindu, etc.	Title VII of the Civil Rights Act of 1964; 23 CFR 230; FHWA-1273 Required Contract Provisions. (<i>49 U.S.C. 5332(b); 49 U.S.C. 47123</i>)

(3) Pertinent Nondiscrimination Authorities

During the performance of this contract, the contractor, for itself, its assignees, and successors in interest agrees to comply with the following non-discrimination statutes and authorities, including, but not limited to:

- (a) Title VI of the Civil Rights Act of 1964 (42 U.S.C. § 2000d et seq., 78 stat. 252), (prohibits discrimination on the basis of race, color, national origin); and 49 CFR Part 21.
- (b) The Uniform Relocation Assistance and Real Property Acquisition Policies Act of 1970, (42 U.S.C. § 4601), (prohibits unfair treatment of persons displaced or whose property has been acquired because of Federal or Federal-aid programs and projects);
- (c) Federal-Aid Highway Act of 1973, (23 U.S.C. § 324 et seq.), (prohibits discrimination on the basis of sex);
- (d) Section 504 of the Rehabilitation Act of 1973, (29 U.S.C. § 794 et seq.), as amended, (prohibits discrimination on the basis of disability) and 49 CFR Part 27;
- (e) The Age Discrimination Act of 1975, as amended, (42 U.S.C. § 6101 et seq.), (prohibits discrimination on the basis of age);
- (f) Airport and Airway Improvement Act of 1982, (49 USC § 471, Section 47123), as amended, (prohibits discrimination based on race, creed, color, national origin, or sex);

- (g) The Civil Rights Restoration Act of 1987, (PL 100-209), (Broadened the scope, coverage and applicability of Title VI of the Civil Rights Act of 1964, The Age Discrimination Act of 1975 and Section 504 of the Rehabilitation Act of 1973, by expanding the definition of the terms "programs or activities" to include all of the programs or activities of the Federal-aid recipients, sub-recipients and contractors, whether such programs or activities are Federally funded or not);
 - (h) Titles II and III of the Americans with Disabilities Act, which prohibit discrimination on the basis of disability in the operation of public entities, public and private transportation systems, places of public accommodation, and certain testing entities (42 U.S.C. §§ 12131-12189) as implemented by Department of Transportation regulations at 49 C.F.R. parts 37 and 38;
 - (i) The Federal Aviation Administration's Nondiscrimination statute (49 U.S.C. § 47123) (prohibits discrimination on the basis of race, color, national origin, and sex);
 - (j) Executive Order 12898, Federal Actions to Address Environmental Justice in Minority Populations and Low-Income Populations, which ensures Nondiscrimination against minority populations by discouraging programs, policies, and activities with disproportionately high and adverse human health or environmental effects on minority and low-income populations;
 - (k) Executive Order 13166, Improving Access to Services for Persons with Limited English Proficiency, and resulting agency guidance, national origin discrimination includes discrimination because of Limited English proficiency (LEP). To ensure compliance with Title VI, you must take reasonable steps to ensure that LEP persons have meaningful access to your programs (70 Fed. Reg. at 74087 to 74100);
 - (l) Title IX of the Education Amendments of 1972, as amended, which prohibits you from discriminating because of sex in education programs or activities (20 U.S.C. 1681 et seq).
 - (m) Title VII of the Civil Rights Act of 1964 (42 U.S.C. § 2000e et seq., Pub. L. 88-352), (prohibits employment discrimination on the basis of race, color, religion, sex, or national origin).
- (4) **Additional Title VI Assurances**
- **The following Title VI Assurances (Appendices B, C and D) shall apply, as applicable*
- (a) Clauses for Deeds Transferring United States Property (1050.2A, Appendix B)
The following clauses will be included in deeds effecting or recording the transfer of real property, structures, or improvements thereon, or granting interest therein from the United States pursuant to the provisions of Assurance 4.

NOW, THEREFORE, the U.S. Department of Transportation as authorized by law and upon the condition that the North Carolina Department of Transportation (NCDOT) will accept title to the lands and maintain the project constructed thereon in accordance with the North Carolina General Assembly, the Regulations for the Administration of the Federal-Aid Highway Program, and the policies and procedures prescribed by the Federal Highway Administration of the U.S. Department of Transportation in accordance and in compliance with all requirements imposed by Title 49, Code of Federal Regulations, U.S. Department of Transportation, Subtitle A, Office of the Secretary, Part 21, Nondiscrimination in Federally-assisted programs of the U.S. Department of Transportation pertaining to and effectuating the provisions of Title VI of the Civil Rights Act of 1964 (78 Stat. 252; 42 U.S.C. § 2000d to 2000d-4), does hereby remise, release, quitclaim and convey unto the NCDOT all the right, title and interest of the U.S. Department of Transportation in and to said lands described in Exhibit A attached hereto and made a part hereof.

(HABENDUM CLAUSE)

TO HAVE AND TO HOLD said lands and interests therein unto the North Carolina Department of Transportation (NCDOT) and its successors forever, subject, however, to the covenants, conditions, restrictions and reservations herein contained as follows, which will remain in effect for the period during which the real property or structures are used for a purpose for which Federal financial assistance is extended or for another purpose involving the provision of similar services or benefits and will be binding on the NCDOT, its successors and assigns.

The NCDOT, in consideration of the conveyance of said lands and interests in lands, does hereby covenant and agree as a covenant running with the land for itself, its successors and assigns, that (1) no person will on the grounds of race, color, or national origin, be excluded from participation in, be denied the benefits of, or be otherwise subjected to discrimination with regard to any facility located wholly or in part on, over, or under such lands hereby conveyed [,] [and]* (2) that the NCDOT will use the lands and interests in lands and interests in lands so conveyed, in compliance with all requirements imposed by or pursuant to Title 49, Code of Federal Regulations, U.S. Department of Transportation, Subtitle A, Office of the Secretary, Part 21, Nondiscrimination in Federally-assisted programs of the U.S. Department of Transportation, Effectuation of Title VI of the Civil Rights Act of 1964, and as said Regulations and Acts may be amended [, and (3) that in the event of breach of any of the above-mentioned nondiscrimination conditions, the Department will have a right to enter or re-enter said lands and facilities on said land, and that above described land and facilities will thereon revert to and vest in and become the absolute property of the U.S. Department of Transportation and its assigns as such interest existed prior to this instruction].*

(*Reverter clause and related language to be used only when it is determined that such a clause is necessary in order to make clear the purpose of Title VI.)

(b) Clauses for Transfer of Real Property Acquired or Improved Under the Activity, Facility, or Program (1050.2A, Appendix C)

The following clauses will be included in deeds, licenses, leases, permits, or similar instruments entered into by the North Carolina Department of Transportation (NCDOT) pursuant to the provisions of Assurance 7(a):

1. The (grantee, lessee, permittee, etc. as appropriate) for himself/herself, his/her heirs, personal representatives, successors in interest, and assigns, as a part of the consideration hereof, does hereby covenant and agree [in the case of deeds and leases add "as a covenant running with the land"] that:

- (i.) In the event facilities are constructed, maintained, or otherwise operated on the property described in this (deed, license, lease, permit, etc.) for a purpose for which a U.S. Department of Transportation activity, facility, or program is extended or for another purpose involving the provision of similar services or benefits, the (grantee, licensee, lessee, permittee, etc.) will maintain and operate such facilities and services in compliance with all requirements imposed by the Acts and Regulations (as may be amended) such that no person on the grounds of race, color, or national origin, will be excluded from participation in, denied the benefits of, or be otherwise subjected to discrimination in the use of said facilities.

2. With respect to licenses, leases, permits, etc., in the event of breach of any of the above Nondiscrimination covenants, the NCDOT will have the right to terminate the (lease, license, permit, etc.) and to enter, re-enter, and repossess said lands and facilities thereon, and hold the same as if the (lease, license, permit, etc.) had never been made or issued. *

3. With respect to a deed, in the event of breach of any of the above Nondiscrimination covenants, the NCDOT will have the right to enter or re-enter the lands and facilities thereon, and the above described lands and facilities will there upon revert to and vest in and become the absolute property of the NCDOT and its assigns. *

(*Reverter clause and related language to be used only when it is determined that such a clause is necessary to make clear the purpose of Title VI.)

(c) Clauses for Construction/Use/Access to Real Property Acquired Under the Activity, Facility or Program (1050.2A, Appendix D)

The following clauses will be included in deeds, licenses, permits, or similar instruments/ agreements entered into by the North Carolina Department of Transportation (NCDOT) pursuant to the provisions of Assurance 7(b):

1. The (grantee, licensee, permittee, etc., as appropriate) for himself/herself, his/her heirs, personal representatives, successors in interest, and assigns, as a part of the consideration hereof, does hereby covenant and agree (in the case of deeds and leases add, "as a covenant running with the land") that (1) no person on the ground of race, color, or national origin, will be excluded from participation in, denied the benefits of, or be otherwise subjected to discrimination in the use of said facilities, (2) that in the construction of any improvements on, over, or under such land, and the furnishing of services thereon, no person on the ground of race, color, or national origin, will be excluded from participation in, denied the benefits of, or otherwise be subjected to discrimination, (3) that the (grantee, licensee, lessee, permittee, etc.) will use the premises in compliance with all other requirements imposed by or pursuant to the Acts and Regulations, as amended, set forth in this Assurance.
2. With respect to (licenses, leases, permits, etc.), in the event of breach of any of the above Non-discrimination covenants, the NCDOT will have the right to terminate the (license, permit, etc., as appropriate) and to enter or re-enter and repossess said land and the facilities thereon, and hold the same as if said (license, permit, etc., as appropriate) had never been made or issued. *
3. With respect to deeds, in the event of breach of any of the above Nondiscrimination covenants, the NCDOT will there upon revert to and vest in and become the absolute property of the NCDOT and its assigns. *

(*Reverter clause and related language to be used only when it is determined that such a clause is necessary to make clear the purpose of Title VI.)

STANDARD SPECIAL PROVISION

ON-THE-JOB TRAINING

(10-16-07) (Rev. 4-21-15)

Z-10

Description

The North Carolina Department of Transportation will administer a custom version of the Federal On-the-Job Training (OJT) Program, commonly referred to as the Alternate OJT Program. All contractors (existing and newcomers) will be automatically placed in the Alternate Program. Standard OJT requirements typically associated with individual projects will no longer be applied at the project level. Instead, these requirements will be applicable on an annual basis for each contractor administered by the OJT Program Manager.

On the Job Training shall meet the requirements of 23 CFR 230.107 (b), 23 USC – Section 140, this provision and the On-the-Job Training Program Manual.

The Alternate OJT Program will allow a contractor to train employees on Federal, State and privately funded projects located in North Carolina. However, priority shall be given to training employees on NCDOT Federal-Aid funded projects.

Minorities and Women

Developing, training and upgrading of minorities and women toward journeyman level status is a primary objective of this special training provision. Accordingly, the Contractor shall make every effort to enroll minority and women as trainees to the extent that such persons are available within a reasonable area of recruitment. This training commitment is not intended, and shall not be used, to discriminate against any applicant for training, whether a member of a minority group or not.

Assigning Training Goals

The Department, through the OJT Program Manager, will assign training goals for a calendar year based on the contractors' past three years' activity and the contractors' anticipated upcoming year's activity with the Department. At the beginning of each year, all contractors eligible will be contacted by the Department to determine the number of trainees that will be assigned for the upcoming calendar year. At that time the Contractor shall enter into an agreement with the Department to provide a self-imposed on-the-job training program for the calendar year. This agreement will include a specific number of annual training goals agreed to by both parties. The number of training assignments may range from 1 to 15 per contractor per calendar year. The Contractor shall sign an agreement to fulfill their annual goal for the year.\

Training Classifications

The Contractor shall provide on-the-job training aimed at developing full journeyman level workers in the construction craft/operator positions. Preference shall be given to providing training in the following skilled work classifications:

Equipment Operators	Office Engineers
Truck Drivers	Estimators
Carpenters	Iron / Reinforcing Steel Workers
Concrete Finishers	Mechanics
Pipe Layers	Welders

The Department has established common training classifications and their respective training requirements that may be used by the contractors. However, the classifications established are not all-inclusive. Where the training is oriented toward construction applications, training will be allowed in lower-level management positions such as office engineers and estimators. Contractors shall submit new classifications for specific job functions that their employees are performing. The Department will review and recommend for acceptance to FHWA the new classifications proposed by contractors, if applicable. New classifications shall meet the following requirements:

Proposed training classifications are reasonable and realistic based on the job skill classification needs, and

The number of training hours specified in the training classification is consistent with common practices and provides enough time for the trainee to obtain journeyman level status.

The Contractor may allow trainees to be trained by a subcontractor provided that the Contractor retains primary responsibility for meeting the training and this provision is made applicable to the subcontract. However, only the Contractor will receive credit towards the annual goal for the trainee.

Where feasible, 25 percent of apprentices or trainees in each occupation shall be in their first year of apprenticeship or training. The number of trainees shall be distributed among the work classifications on the basis of the contractor's needs and the availability of journeymen in the various classifications within a reasonable area of recruitment.

No employee shall be employed as a trainee in any classification in which they have successfully completed a training course leading to journeyman level status or in which they have been employed as a journeyman.

Records and Reports

The Contractor shall maintain enrollment, monthly and completion reports documenting company compliance under these contract documents. These documents and any other information as requested shall be submitted to the OJT Program Manager.

Upon completion and graduation of the program, the Contractor shall provide each trainee with a certification Certificate showing the type and length of training satisfactorily completed.

Trainee Interviews

All trainees enrolled in the program will receive an initial and Trainee/Post graduate interview conducted by the OJT program staff.

Trainee Wages

Contractors shall compensate trainees on a graduating pay scale based upon a percentage of the prevailing minimum journeyman wages (Davis-Bacon Act). Minimum pay shall be as follows:

60 percent	of the journeyman wage for the first half of the training period
75 percent	of the journeyman wage for the third quarter of the training period
90 percent	of the journeyman wage for the last quarter of the training period

In no instance shall a trainee be paid less than the local minimum wage. The Contractor shall adhere to the minimum hourly wage rate that will satisfy both the NC Department of Labor (NCDOL) and the Department.

Achieving or Failing to Meet Training Goals

The Contractor will be credited for each trainee employed by him on the contract work who is currently enrolled or becomes enrolled in an approved program and who receives training for at least 50 percent of the specific program requirement. Trainees will be allowed to be transferred between projects if required by the Contractor's scheduled workload to meet training goals.

If a contractor fails to attain their training assignments for the calendar year, they may be taken off the NCDOT's Bidders List.

Measurement and Payment

No compensation will be made for providing required training in accordance with these contract documents.

North Carolina Dept. of Transportation Bid Form

ITEM	SECT	DESCRIPTION	QTY.	UNIT	UNIT PRICE	AMOUNT BID
1	SP	WILSON INTERSTATE BRIDGES	37	EA		
2	SP	WILSON PRIMARY BRIDGES	69	EA		
3	SP	WILSON SECONDARY BRIDGES	94	EA		
4	SP	WILSON INTERSTATE NON INVENTORY PIPES	15	EA		
5	SP	WILSON PRIMARY NON INVENTORY PIPES	80	EA		
6	SP	WILSON SECONDARY NON INVENTORY PIPES	135	EA		
7	SP	EDGECOMBE PRIMARY BRIDGES	79	EA		
8	SP	EDGECOMBE SECONDARY BRIDGES	80	EA		
9	SP	EDGECOMBE PRIMARY NON INVENTORY PIPES	99	EA		
10	SP	EDGECOMBE SECONDARY NON INVENTORY PIPES	183	EA		
11	SP	EDGECOMBE COUNTY BRIDGE #345 SR-1537	1	EA		
12	SP	NASH INTERSTATE BRIDGES	34	EA		
13	SP	NASH PRIMARY BRIDGES	113	EA		
14	SP	NASH SECONDARY BRIDGES	118	EA		
15	SP	NASH INTERSTATE NON INVENTORY PIPES	20	EA		
16	SP	NASH PRIMARY NON INVENTORY PIPES	109	EA		
17	SP	NASH SECONDARY NON INVENTORY PIPES	214	EA		
18	SP	NASH COUNTY BRIDGE #331	1	EA		
19	SP	HALIFAX INTERSTATE BRIDGES	31	EA		
20	SP	HALIFAX PRIMARY BRIDGES	41	EA		

North Carolina Dept. of Transportation Bid Form Cont.

ITEM	SECT	DESCRIPTION	QTY.	UNIT	UNIT PRICE	AMOUNT BID
21	SP	HALIFAX SECONDARY BRIDGES	90	EA		
22	SP	HALIFAX INTERSTATE NON INVENTORY PIPES	9	EA		
23	SP	HALIFAX PRIMARY NON INVENTORY PIPES	79	EA		
24	SP	HALIFAX SECONDARY NON INVENTORY PIPES	90	EA		
25	SP	NORTHAMPTON INTERSTATE BRIDGES	6	EA		
26	SP	JOHNSTON INTERSTATE BRIDGES	69	EA		
27	SP	JOHNSTON PRIMARY BRIDGES	88	EA		
28	SP	JOHNSTON SECONDARY BRIDGES	158	EA		
29	SP	JOHNSTON INTERSTATE NON INVENTORY PIPES	30	EA		
30	SP	JOHNSTON PRIMARY NON INVENTORY PIPES	104	EA		
31	SP	JOHNSTON SECONDARY NON INVENTORY PIPES	372	EA		
32	SP	JOHNSTON COUNTY BRIDGE #608 SR-1923	1	EA		
33	SP	JOHNSTON COUNTY BRIDGE #600 US-70 BYPASS WB	1	EA		
34	SP	JOHNSTON COUNTY BRIDGE #601 US-70 BYPASS EB	1	EA		
35	SP	WAYNE INTERSTATE BRIDGES	16	EA		
36	SP	WAYNE PRIMARY BRIDGES	93	EA		
37	SP	WAYNE SECONDARY BRIDGES	90	EA		
38	SP	WAYNE INTERSTATE NON INVENTORY PIPES	9	EA		

North Carolina Dept. of Transportation Bid Form Cont.

ITEM	SECT	DESCRIPTION	QTY.	UNIT	UNIT PRICE	AMOUNT BID
39	SP	WAYNE PRIMARY NON INVENTORY PIPES	107	EA		
40	SP	WAYNE SECONDARY NON INVENTORY PIPES	252	EA		
41	SP	WAYNE COUNTY BRIDGE #328 I-795	1	EA		
42	SP	WAYNE COUNTY BRIDGE #329 I-795	1	EA		
43	SP	WAYNE COUNTY BRIDGE #375 US 70 BYPASS WESTBOUND (OVER CLAIRIDGE ROAD)	1	EA		
44	SP	WAYNE COUNTY BRIDGE #376 US 70 BYPASS EASTBOUND (OVER CLAIRIDGE ROAD)	1	EA		
45	SP	GUARDRAIL/GUIDERAIL MOWING	10,000	LFT		
46	SP	MOWING OPEN SLOPE	25,000	SFT		
47	SP	SILT FENCE POST REMOVAL AND DISPOSAL	300	EA		
<p><i>TOTAL BID FOR PROJECT:</i> _____</p>						

EXECUTION OF BID

NON-COLLUSION, DEBARMENT AND GIFT BAN CERTIFICATION

CORPORATION

The prequalified bidder being duly sworn, solemnly swears (or affirms) that neither he, nor any official, agent or employee has entered into any agreement, participated in any collusion, or otherwise taken any action which is in restraint of free competitive bidding in connection with any bid or contract, that the prequalified bidder has not been convicted of violating *N.C.G.S. §133-24* within the last three years, and that the prequalified bidder intends to do the work with his own bona fide employees or subcontractors and will not bid for the benefit of another contractor.

By submitting this non-collusion, debarment and gift ban certification, the Contractor is attesting his status under penalty of perjury under the laws of the United States in accordance with the Debarment Certification attached, provided that the Debarment Certification also includes any required statements concerning exceptions that are applicable.

N.C.G.S. §133-32 and Executive Order 24 prohibit the offer to, or acceptance by, any State Employee of any gift from anyone with a contract with the State, or from any person seeking to do business with the State. By execution of any response in this procurement, you attest, for your entire organization and its employees or agents, that you are not aware that any such gift has been offered, accepted, or promised by any employees of your organization.

SIGNATURE OF PREQUALIFIED BIDDER

Full name of Corporation

Address as Prequalified

Attest _____ By _____
Secretary/Assistant Secretary President/Vice President/Assistant Vice President
(Select appropriate title) (Select appropriate title)

Print or type Signer's name

Print or type Signer's name

CORPORATE SEAL

NON-COLLUSION AFFIDAVIT, DEBARMENT CERTIFICATION AND GIFT BAN CERTIFICATION

PARTNERSHIP

The prequalified bidder, being duly sworn, solemnly swears (or affirms) that neither he, nor any official, agent or employee has entered into any agreement, participated in any collusion, or otherwise taken any action which is in restraint of free competitive bidding in connection with any bid or contract, that the prequalified bidder has not been convicted of violating *N.C.G.S. § 133-24* within the last three years, and that the prequalified bidder intends to do the work with its own bona fide employees or subcontractors and will not bid for the benefit of another contractor.

By submitting this non-collusion, debarment and gift ban certification, the Contractor is attesting his status under penalty of perjury under the laws of the United States in accordance with the Debarment Certification attached, provided that the Debarment Certification also includes any required statements concerning exceptions that are applicable.

N.C.G.S. § 133-32 and Executive Order 24 prohibit the offer to, or acceptance by, any State Employee of any gift from anyone with a contract with the State, or from any person seeking to do business with the State. By execution of any response in this procurement, you attest, for your entire organization and its employees or agents, that you are not aware that any such gift has been offered, accepted, or promised by any employees of your organization.

SIGNATURE OF PREQUALIFIED BIDDER

Full Name of
Partnership

Address as
Prequalified

Signature of Witness

Signature of Partner

Print or Type Signer's Name

Print or Type Signer's Name

**NON-COLLUSION AFFIDAVIT, DEBARMENT CERTIFICATION AND GIFT BAN
CERTIFICATION**

LIMITED LIABILITY COMPANY

The prequalified bidder, being duly sworn, solemnly swears (or affirms) that neither he, nor any official, agent or employee has entered into any agreement, participated in any collusion, or otherwise taken any action which is in restraint of free competitive bidding in connection with any bid or contract, that the prequalified bidder has not been convicted of violating *N.C.G.S. § 133-24* within the last three years, and that the prequalified bidder intends to do the work with its own bona fide employees or subcontractors and will not bid for the benefit of another contractor.

By submitting this non-collusion, debarment and gift ban certification, the Contractor is attesting his status under penalty of perjury under the laws of the United States in accordance with the Debarment Certification attached, provided that the Debarment Certification also includes any required statements concerning exceptions that are applicable.

N.C.G.S. § 133-32 and Executive Order 24 prohibit the offer to, or acceptance by, any State Employee of any gift from anyone with a contract with the State, or from any person seeking to do business with the State. By execution of any response in this procurement, you attest, for your entire organization and its employees or agents, that you are not aware that any such gift has been offered, accepted, or promised by any employees of your organization.

SIGNATURE OF PREQUALIFIED BIDDER

Full Name of Firm

Address as Prequalified

Signature of Witness

Signature of Member/Manager/Authorized Agent
(Select appropriate Title)

Print or Type Signer's Name

Print or Type Signer's Name

NON-COLLUSION, DEBARMENT AND GIFT BAN CERTIFICATION

JOINT VENTURE (2) or (3)

The prequalified bidder, being duly sworn, solemnly swears (or affirms) that neither he, nor any official, agent or employee has entered into any agreement, participated in any collusion, or otherwise taken any action which is in restraint of free competitive bidding in connection with any bid or contract, that the prequalified bidder has not been convicted of violating *N.C.G.S. § 133-24* within the last three years, and that the prequalified bidder intends to do the work with its own bona fide employees or subcontractors and will not bid for the benefit of another contractor.

By submitting this non-collusion, debarment and gift ban certification, the Contractor is attesting his status under penalty of perjury under the laws of the United States in accordance with the Debarment Certification attached, provided that the Debarment Certification also includes any required statements concerning exceptions that are applicable.

N.C.G.S. § 133-32 and Executive Order 24 prohibit the offer to, or acceptance by, any State Employee of any gift from anyone with a contract with the State, or from any person seeking to do business with the State. By execution of any response in this procurement, you attest, for your entire organization and its employees or agents, that you are not aware that any such gift has been offered, accepted, or promised by any employees of your organization.

SIGNATURE OF PREQUALIFIED BIDDER

Instructions: **2 Joint Venturers** Fill in lines (1), (2) and (3) and execute. **3 Joint Venturers** Fill in lines (1), (2), (3) and (4) and execute. On Line (1), fill in the name of the Joint Venture Company. On Line (2), fill in the name of one of the joint venturers and execute below in the appropriate manner. On Line (3), print or type the name of the other joint venturer and execute below in the appropriate manner. On Line (4), fill in the name of the third joint venturer, if applicable and execute below in the appropriate manner.

(1) _____
Name of Joint Venture

(2) _____
Name of Contractor

Address as Prequalified

_____ Signature of Witness or Attest	BY	_____ Signature of Contractor
_____ Print or Type Signer's Name		_____ Print or Type Signer's Name

If Corporation, affix Corporate Seal AND

(3) _____
Name of Contractor

Address as Prequalified

_____ Signature of Witness or Attest	BY	_____ Signature of Contractor
_____ Print or Type Signer's Name		_____ Print or Type Signer's Name

If Corporation, affix Corporate Seal AND

(4) _____
Name of Contractor

Address as Prequalified

_____ Signature of Witness or Attest	BY	_____ Signature of Contractor
_____ Print or Type Signer's Name		_____ Print or Type Signer's Name

If Corporation, affix Corporate Seal

**NON-COLLUSION AFFIDAVIT, DEBARMENT CERTIFICATION AND GIFT BAN
CERTIFICATION**

INDIVIDUAL DOING BUSINESS UNDER A FIRM NAME

The prequalified bidder, being duly sworn, solemnly swears (or affirms) that neither he, nor any official, agent or employee has entered into any agreement, participated in any collusion, or otherwise taken any action which is in restraint of free competitive bidding in connection with any bid or contract, that the prequalified bidder has not been convicted of violating *N.C.G.S. § 133-24* within the last three years, and that the prequalified bidder intends to do the work with its own bona fide employees or subcontractors and will not bid for the benefit of another contractor.

By submitting this non-collusion, debarment and gift ban certification, the Contractor is attesting his status under penalty of perjury under the laws of the United States in accordance with the Debarment Certification attached, provided that the Debarment Certification also includes any required statements concerning exceptions that are applicable.

N.C.G.S. § 133-32 and Executive Order 24 prohibit the offer to, or acceptance by, any State Employee of any gift from anyone with a contract with the State, or from any person seeking to do business with the State. By execution of any response in this procurement, you attest, for your entire organization and its employees or agents, that you are not aware that any such gift has been offered, accepted, or promised by any employees of your organization.

SIGNATURE OF PREQUALIFIED BIDDER

Name of Prequalified Bidder

Individual Name

Trading and Doing Business As

Full name of Firm

Address as Prequalified

Signature of Witness

Signature of Prequalified Bidder, Individual

Print or Type Signer's Name

Print or Type Signer's Name

**NON-COLLUSION AFFIDAVIT, DEBARMENT CERTIFICATION AND GIFT BAN
CERTIFICATION**

INDIVIDUAL DOING BUSINESS IN HIS OWN NAME

The prequalified bidder, being duly sworn, solemnly swears (or affirms) that neither he, nor any official, agent or employee has entered into any agreement, participated in any collusion, or otherwise taken any action which is in restraint of free competitive bidding in connection with any bid or contract, that the prequalified bidder has not been convicted of violating *N.C.G.S. § 133-24* within the last three years, and that the prequalified bidder intends to do the work with its own bona fide employees or subcontractors and will not bid for the benefit of another contractor.

By submitting this non-collusion, debarment and gift ban certification, the Contractor is attesting his status under penalty of perjury under the laws of the United States in accordance with the Debarment Certification attached, provided that the Debarment Certification also includes any required statements concerning exceptions that are applicable.

N.C.G.S. § 133-32 and Executive Order 24 prohibit the offer to, or acceptance by, any State Employee of any gift from anyone with a contract with the State, or from any person seeking to do business with the State. By execution of any response in this procurement, you attest, for your entire organization and its employees or agents, that you are not aware that any such gift has been offered, accepted, or promised by any employees of your organization.

SIGNATURE OF PREQUALIFIED BIDDER

Name of Prequalified Bidder _____

Print or Type Name

Address as Prequalified

Signature of Prequalified Bidder, Individually

Print or type Signer's Name

Signature of Witness

Print or type Signer's name

DEBARMENT CERTIFICATION OF PREQUALIFIED BIDDER

Conditions for certification:

1. The prequalified bidder shall provide immediate written notice to the Department if at any time the bidder learns that his certification was erroneous when he submitted his debarment certification or explanation that is file with the Department, or has become erroneous because of changed circumstances.
2. The terms *covered transaction, debarred, suspended, ineligible, lower tier covered transaction, participant, person, primary covered transaction, principal, proposal, and voluntarily excluded*, as used in this provision, have the meanings set out in the Definitions and Coverage sections of the rules implementing Executive Order 12549. A copy of the Federal Rules requiring this certification and detailing the definitions and coverages may be obtained from the Contract Officer of the Department.
3. The prequalified bidder agrees by submitting this form, that he will not knowingly enter into any lower tier covered transaction with a person who is debarred, suspended, declared ineligible, or voluntarily excluded from participation in NCDOT contracts, unless authorized by the Department.
4. For Federal Aid projects, the prequalified bidder further agrees that by submitting this form he will include the Federal-Aid Provision titled *Required Contract Provisions Federal-Aid Construction Contract (Form FHWA PR 1273)* provided by the Department, without subsequent modification, in all lower tier covered transactions.
5. The prequalified bidder may rely upon a certification of a participant in a lower tier covered transaction that he is not debarred, suspended, ineligible, or voluntarily excluded from the covered transaction, unless he knows that the certification is erroneous. The bidder may decide the method and frequency by which he will determine the eligibility of his subcontractors.
6. Nothing contained in the foregoing shall be construed to require establishment of a system of records in order to render in good faith the certification required by this provision. The knowledge and information of a participant is not required to exceed that which is normally possessed by a prudent person in the ordinary course of business dealings.
7. Except as authorized in paragraph 6 herein, the Department may terminate any contract if the bidder knowingly enters into a lower tier covered transaction with a person who is suspended, debarred, ineligible, or voluntarily excluded from participation in this transaction, in addition to other remedies available by the Federal Government.

DEBARMENT CERTIFICATION

The prequalified bidder certifies to the best of his knowledge and belief, that he and his principals:

- a. Are not presently debarred, suspended, proposed for debarment, declared ineligible, or voluntarily excluded from covered transactions by any Federal department or agency;
- b. Have not within a three-year period preceding this proposal been convicted of or had a civil judgment rendered against them for commission of fraud or a criminal offense in connection with obtaining, attempting to obtain, or performing a public (Federal, State or local) transaction or contract under a public transaction; violation of Federal or State antitrust statutes or commission of embezzlement, theft, forgery, bribery, falsification or destruction of records; making false statements; or receiving stolen property;
- c. Are not presently indicted for or otherwise criminally or civilly charged by a governmental entity (Federal, State or local) with commission of any of the offenses enumerated in paragraph b. of this certification; and
- d. Have not within a three-year period preceding this proposal had one or more public transactions (Federal, State or local) terminated for cause or default.
- e. Will submit a revised Debarment Certification immediately if his status changes and will show in his bid proposal an explanation for the change in status.

If the prequalified bidder cannot certify that he is not debarred, he shall provide an explanation with this submittal. An explanation will not necessarily result in denial of participation in a contract.

Failure to submit a non-collusion affidavit and debarment certification will result in the prequalified bidder's bid being considered non-responsive.

Check here if an explanation is attached to this certification.

D4POC0075
ON CALL VEGETATION REMOVAL

EDGECOMBE, HALIFAX, JOHNSTON, NASH,
NORTHAMPTON, WAYNE AND WILSON COUNTIES

Execution of Contract

Contract No: D4POC0075

**County: EDGECOMBE, HALIFAX, JOHNSTON, NASH, NORTHAMPTON,
WAYNE AND WILSON COUNTIES**

ACCEPTED BY THE DEPARTMENT

Proposals Engineer

Date

EXECUTION OF CONTRACT AND BONDS
APPROVED AS TO FORM:

for **Division Engineer**

Date

Signature Sheet (Bid) - ACCEPTANCE SHEET

CONTRACTOR INFORMATION SHEET

CONTRACTOR _____ FEDERAL ID _____

ADDRESS _____

PHONE _____

AUTHORIZED AGENT _____ TITLE _____

SIGNATURE _____ DATE _____

EMAIL ADDRESS FOR CORRESPONDENCE _____