



STATE OF NORTH CAROLINA
DEPARTMENT OF TRANSPORTATION

ROY COOPER
GOVERNOR

J. ERIC BOYETTE
SECRETARY

April 29, 2022

Addendum No. 1

RE: **DD00384**
Wilson County

To Whom It May Concern:

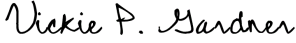
Reference is made to the above-mentioned project. The following changes have been made:

1. The descriptions for the Pipe Installations do not coincide with the Pump Around locations and are not in sequential order. The WBS numbers have been added to the pipe drawings to clarify the locations. Please replace pages 53 – 58 in the proposal with the attached pages.

This sheet and attachments shall be made a part of the plans and bid documents and shall be submitted with the bid. Bids submitted without the addenda and attachments will be considered non-responsive.

If there are any questions, please contact me at (252) 640-6433.

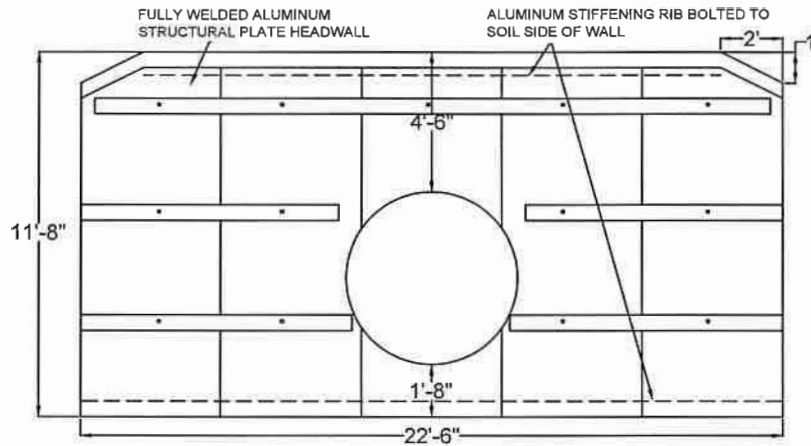
Sincerely,

DocuSigned by:

BD9FE36C1AA642B...

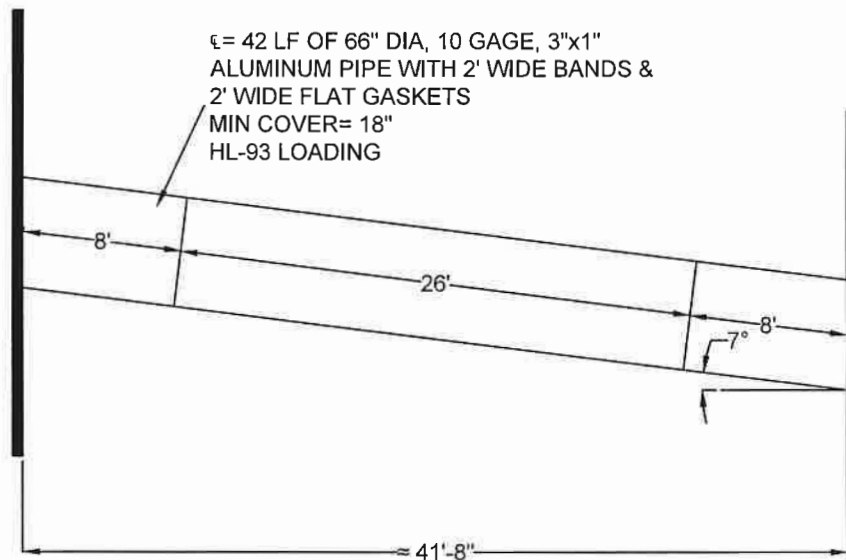
04/29/2022

Vickie P. Gardner
Division Four Contract Engineer

VPG/
Attachments



END VIEW- INLET & OUTLET HEADWALL



PLAN VIEW

PROPOSED ELEVATIONS:

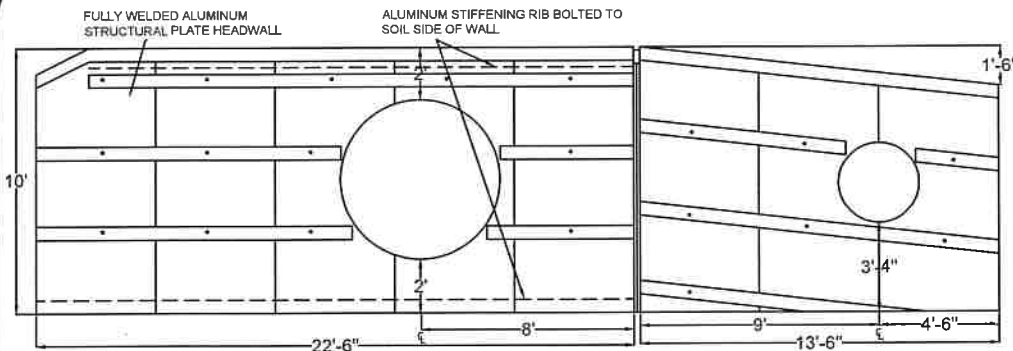
- TOP ε ROAD= 100.00
- TOP HW= 98.00
- TOP PIPE= 93.50
- INV STREAM IN= 89.50
- INV STREAM OUT= 88.50
- INV PIPE= 88.00

DESCRIPTION

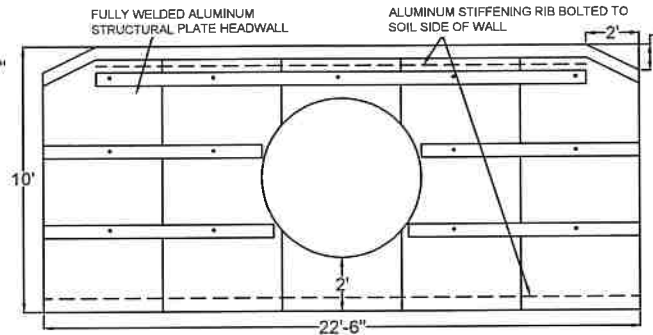
NCDOT WILSON CO
 7985 BAILEY RD
 MIDDLESEX, NC
 SR 1126

POMONA PIPE PRODUCTS
 4611 DUNDAS DR.
 GREENSBORO, NC 27407
 336-292-8060

DATE: MAR 15, 2021	SHEET
NOT TO SCALE	

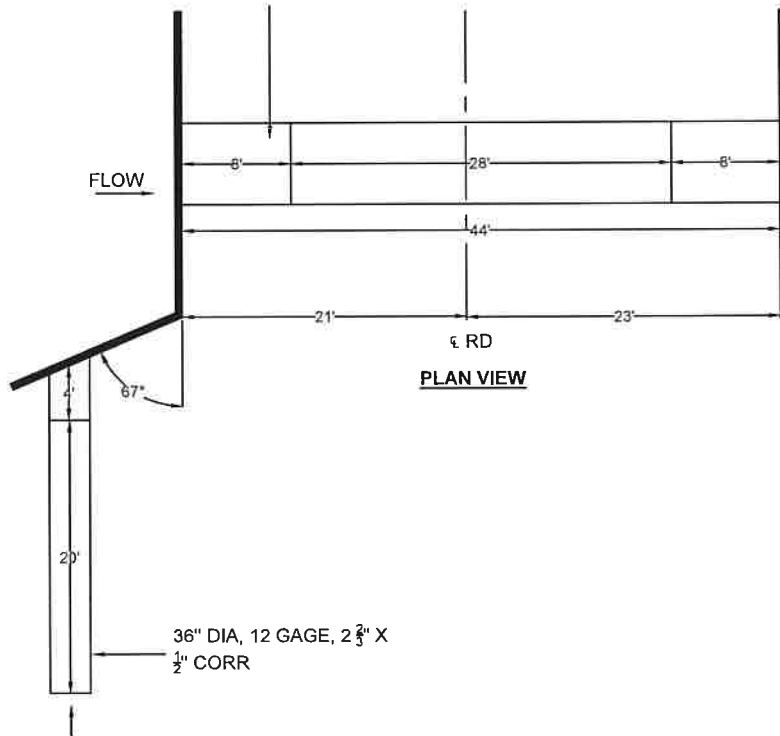


END VIEW- INLET HEADWALL



END VIEW- OUTLET HEADWALL

ε = 44 LF OF 72" DIA, 10 GAGE, 3"x1" ALUMINUM PIPE WITH 2' WIDE BANDS & 2' WIDE FLAT GASKETS
 MIN COVER= 1'-6"
 HL-93 LOADING

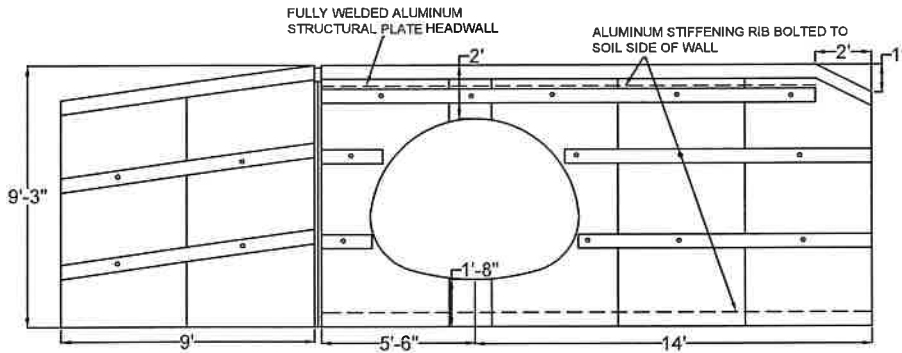


PLAN VIEW

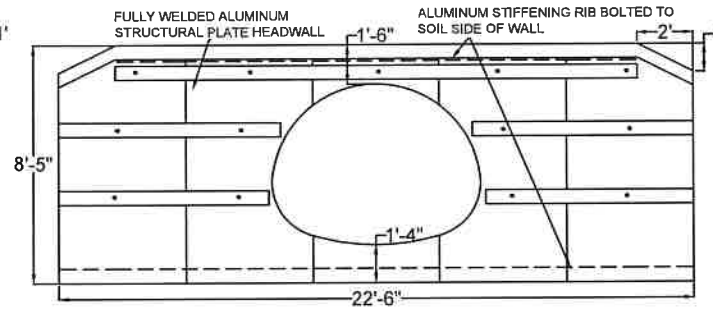
PROPOSED ELEVATIONS:

- TOP ε ROAD= 100.00
- TOP OF HW= 99.00
- TOP OF WING WALL= 97.50
- TOP OF PIPE= 97.00
- INV 36" DIA= 92.33
- INV STREAM= 92.33
- INV PIPE= 91.00

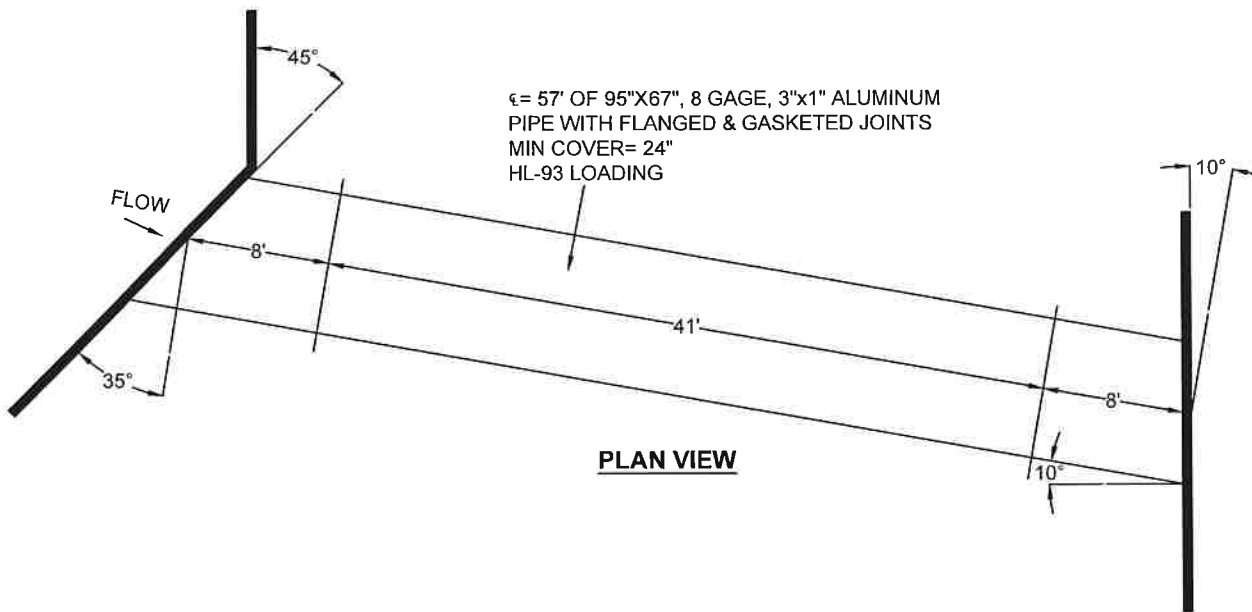
DESCRIPTION
<p>NCDOT WILSON COUNTY 4901 RAINWATER RD LUCAMA, NC SR 1174</p>
<p>POMONA PIPE PRODUCTS 4611 DUNDAS DR. GREENSBORO, NC 27407 336-292-8060</p>
<p>DATE: MAR 15, 2021 SHEET</p>
<p>NOT TO SCALE</p>



END VIEW- INLET HEADWALL



END VIEW- OUTLET HEADWALL




PLAN VIEW

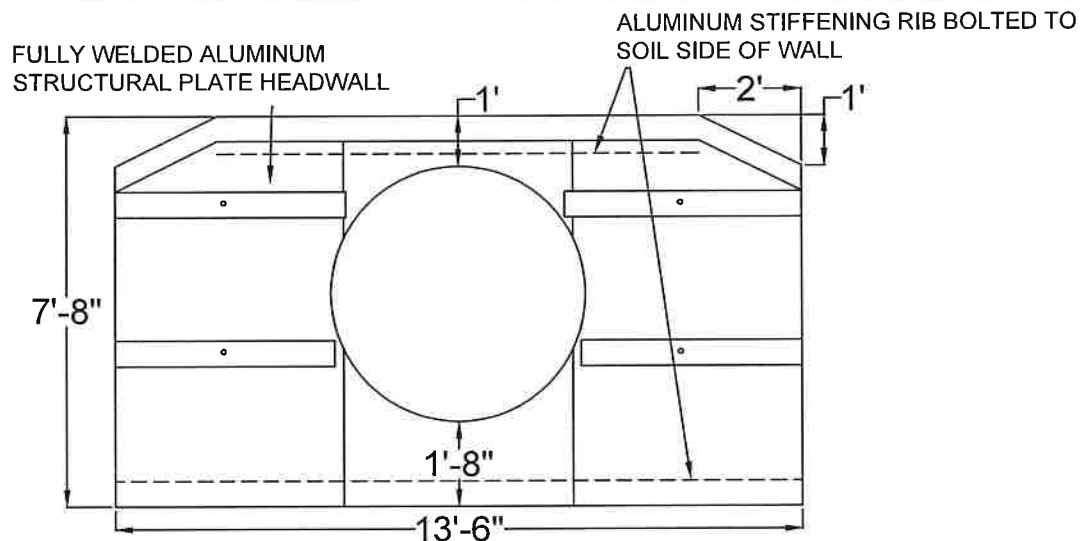
ε = 57' OF 95"X67", 8 GAGE, 3"x1" ALUMINUM PIPE WITH FLANGED & GASKETED JOINTS
 MIN COVER= 24"
 HL-93 LOADING

PROPOSED ELEVATIONS:

EP INLET= 100.00
 EP OUT= 99.33
 TOP HW IN= 99.08
 TOP HW OUT= 98.58
 TOP OF PIPE= 97.08
 INV STREAM= 93.75
 INV PIPE= 91.50

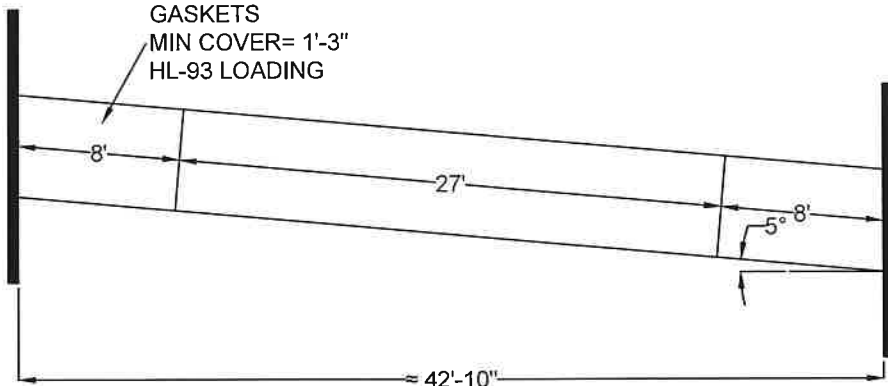
* INCLUDES 1 ROLL TENSAR TX GEOGRID OVER PIPE

DESCRIPTION	
<p>NCDOT WILSON CO 6538 OLD RALEIGH ROAD SIMS, NC</p>	
<p>POMONA PIPE PRODUCTS 4611 DUNDAS DR. GREENSBORO, NC 27407 336-292-8060</p>	
 <p>POMONAPIPEPRODUCTS.COM</p>	
<p>DATE: FEB 21, 2022</p>	<p>SHEET</p>
<p>NOT TO SCALE</p>	



END VIEW- INLET & OUTLET HEADWALL

ε = 43 LF 60" DIA, 10 GAGE, 3"x1" ALUMINUM PIPE WITH 2' WIDE BANDS & 2' WIDE FLAT GASKETS
 MIN COVER = 1'-3"
 HL-93 LOADING



PLAN VIEW

PROPOSED ELEVATIONS:

- TOP ε ROAD = 100.00
- TOP HW = 99.00
- TOP PIPE IN = 98.00
- TOP PIPE OUT = 98.00
- INV STREAM IN = 95.50
- INV IN = 93.00
- INV STREAM OUT = 94.00
- INV OUT = 93.00

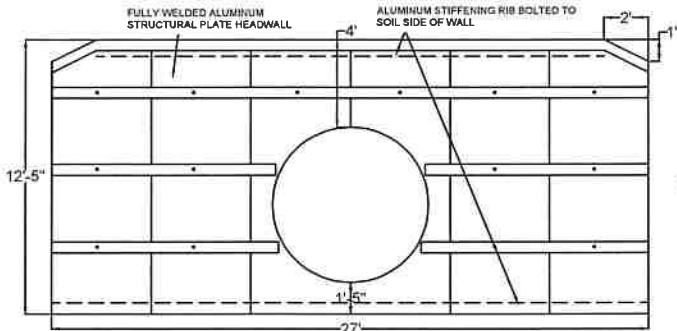
* INCLUDES 1 ROLL OF TENSAR TX GEOGRID
 * NOTE: DUE TO COVER INLET BURIED EXTRA DEEP VERIFY THIS IS ACCEPTABLE

DESCRIPTION
 NCDOT WILSON CO
 6638 RADIO TOWER RD
 WILSON, NC
 SR 1152

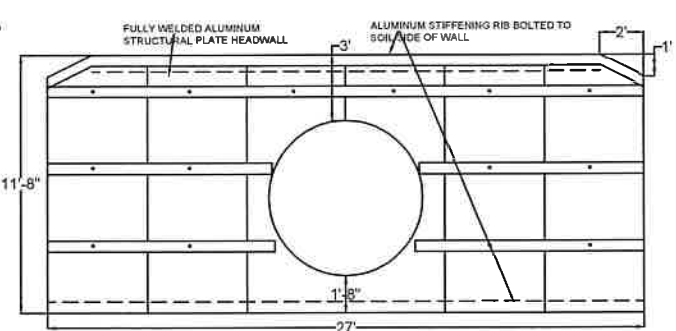
POMONA PIPE PRODUCTS
 4611 DUNDAS DR.
 GREENSBORO, NC 27407
 336-292-8060



DATE: MAR 15, 2021 SHEET
 NOT TO SCALE

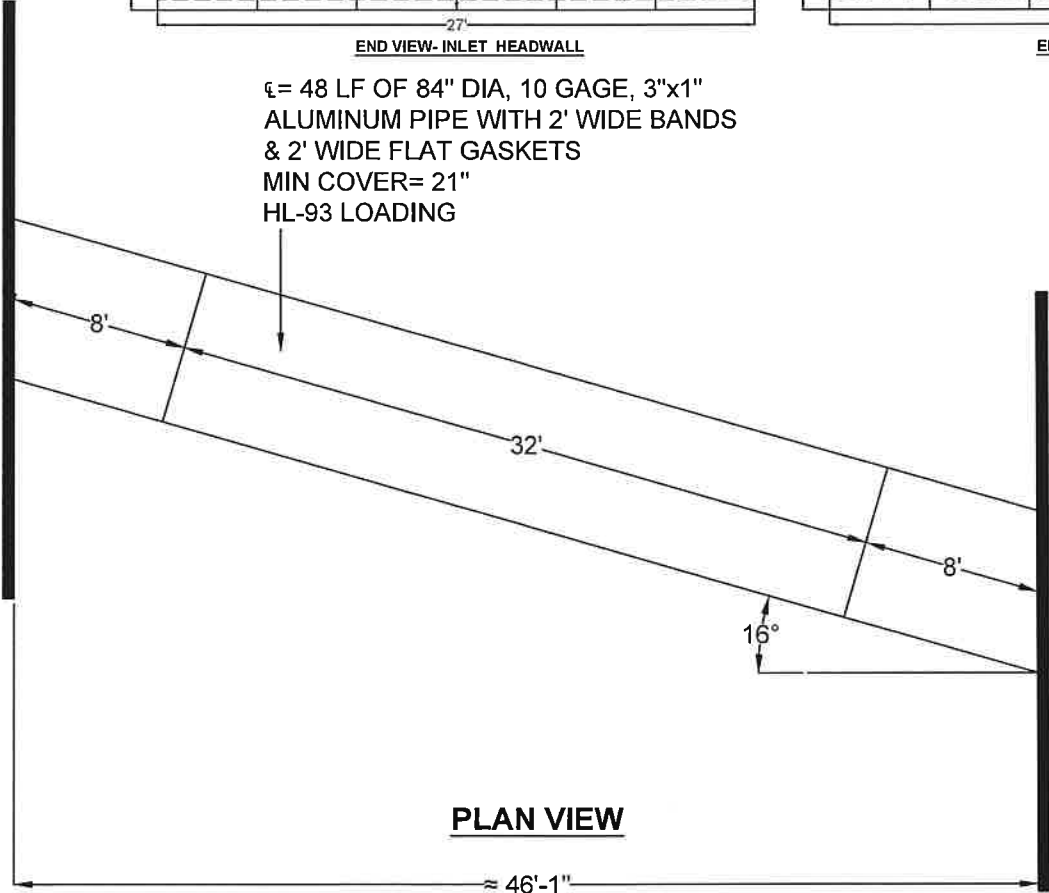


END VIEW- INLET HEADWALL



END VIEW- OUTLET HEADWALL

ϵ = 48 LF OF 84" DIA, 10 GAGE, 3"x1"
 ALUMINUM PIPE WITH 2' WIDE BANDS
 & 2' WIDE FLAT GASKETS
 MIN COVER= 21"
 HL-93 LOADING



PLAN VIEW

PROPOSED ELEVATIONS:

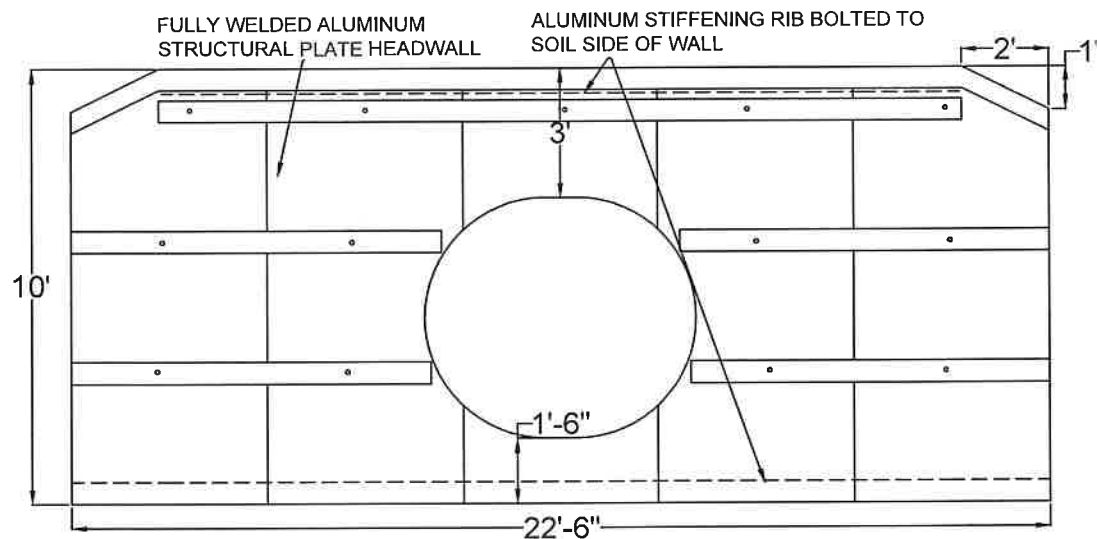
- EP INLET= 100.00
- EP OUTLET= 99.05
- TOP HW IN= 99.00
- TOP HW OUT= 98.00
- TOP PIPE= 95.00
- INV STREAM= 89.15
- INV PIPE= 88.00

- NOTES: 1) CUT TREE ON OUTLET END
- 2) POWER LINE RUNS ACROSS

DESCRIPTION
 NCDOT WILSON CO
 5357 ERNEST ROAD
 WILSON, NC
 SR 1160

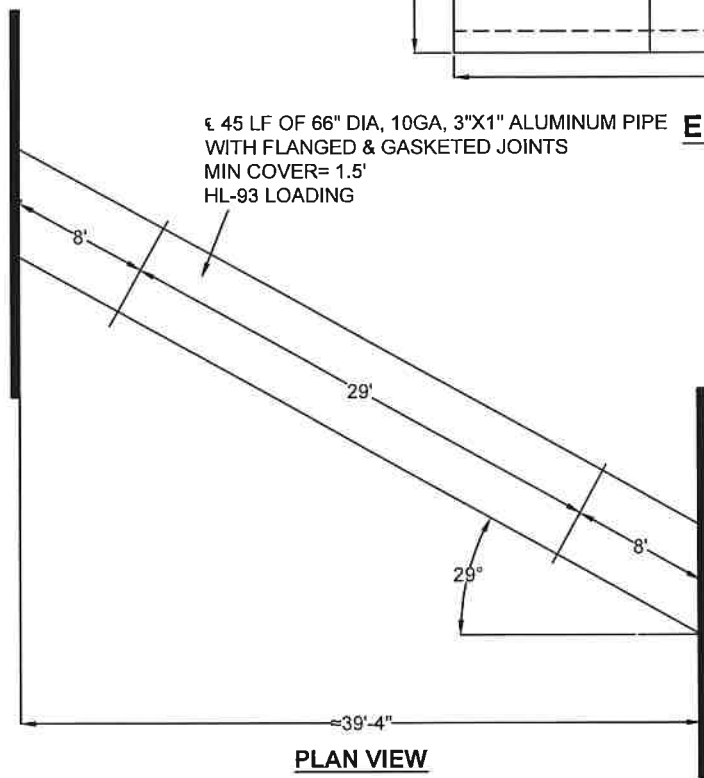
POMONA PIPE PRODUCTS
 4611 DUNDAS DR.
 GREENSBORO, NC 27407
 336-292-8060

DATE: MAR 15, 2021 SHEET
 NOT TO SCALE



END VIEW- INLET & OUTLET HEADWALL

€ 45 LF OF 66" DIA, 10GA, 3"X1" ALUMINUM PIPE WITH FLANGED & GASKETED JOINTS
 MIN COVER= 1.5'
 HL-93 LOADING



PLAN VIEW

PROPOSED ELEVATIONS:

TOP € ROAD= 100.00
 TOP HW= 98.50
 TOP PIPE= 95.50
 INV STREAM= 91.00
 INV PIPE= 90.00

DESCRIPTION
NCDOT WILSON CO 5100 ARTIS ROAD LUCAMA, NC

POMONA PIPE PRODUCTS
 4611 DUNDAS DR.
 GREENSBORO, NC 27407
 336-292-8060

POMONA PIPE PRODUCTS
 POMONAPIPEPRODUCTS.COM

DATE: FEB 21, 2022	SHEET
NOT TO SCALE	