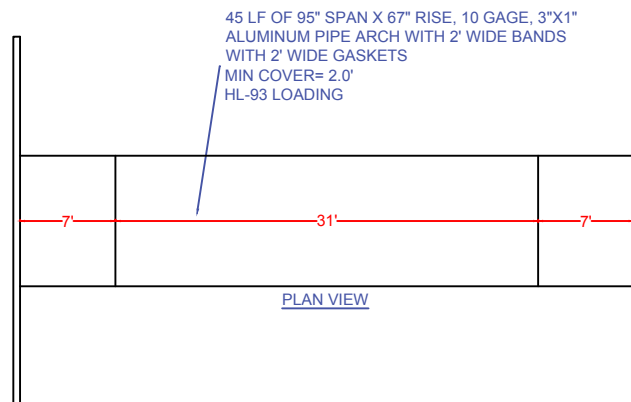
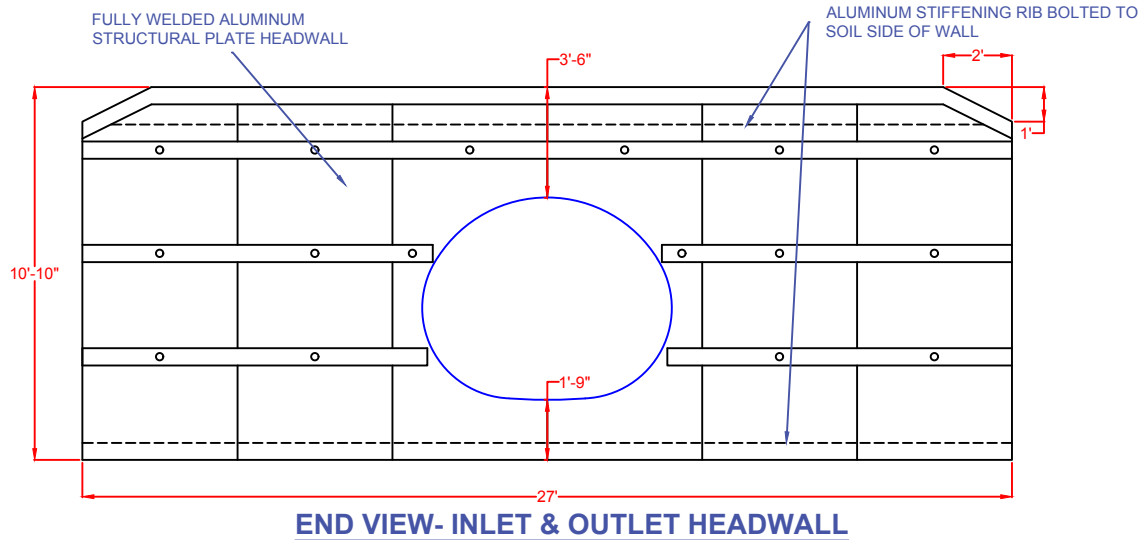


PROPOSED ELEVATIONS:

TOP ϵ ROAD = 100.00
 TOP OF HW = 98.75
 TOP OF PIPE = 95.75
 INV. STREAM = 90.50
 INV. OF PIPE = 89.50

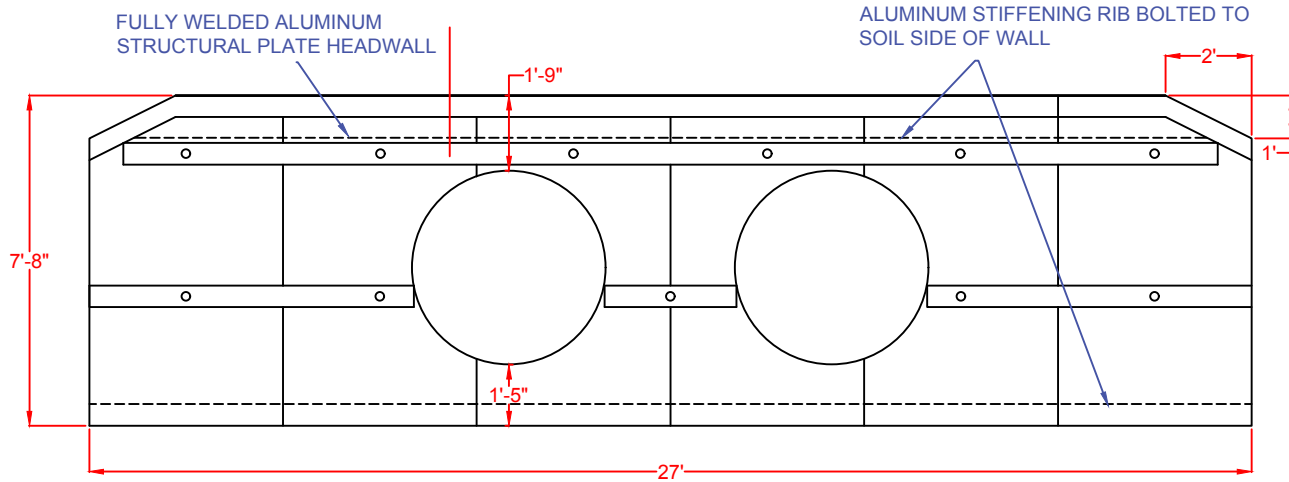
DESCRIPTION	
<p>NC DOT JOHNSTON CO PINE LEVEL-MICRO ROAD SR 2309 SITE 17</p>	
<p>FIRM: POMONA PIPE PRODUCTS 4611 DUNDAS DR. GREENSBORO, NC 27407 336-292-8060</p>	
<p>PROJECT:</p>	
<p>DATE: NOV 11, 2016</p>	<p>SHEET</p>
<p>NOT TO SCALE</p>	



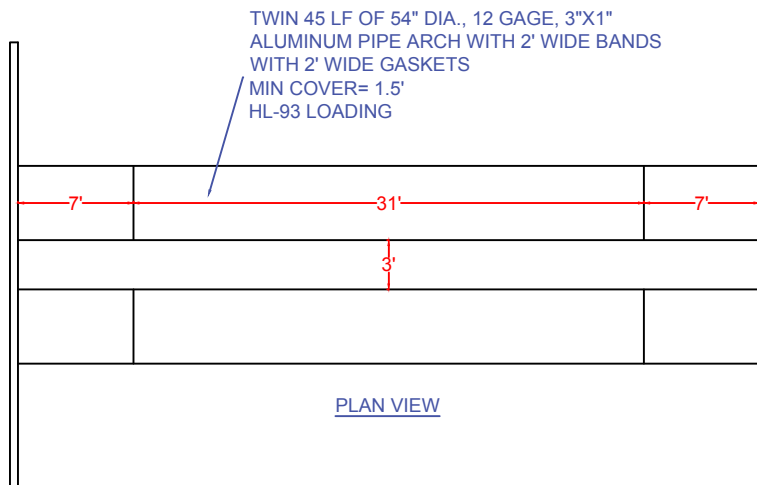
PROPOSED ELEVATIONS:

TOP ϵ ROAD = 100.00
 TOP OF HW = 98.58
 TOP OF PIPE = 95.08
 INV. STREAM = 90.50
 INV. OF PIPE = 89.50

DESCRIPTION	
NCDOT JOHNSTON CO BATTEN FARM ROAD SR 2363 SITE #18	
FIRM: POMONA PIPE PRODUCTS 4611 DUNDAS DR. GREENSBORO, NC 27407 336-292-8060	
PROJECT:	
DATE: NOV 11, 2016	SHEET
NOT TO SCALE	



END VIEW- INLET & OUTLET HEADWALL

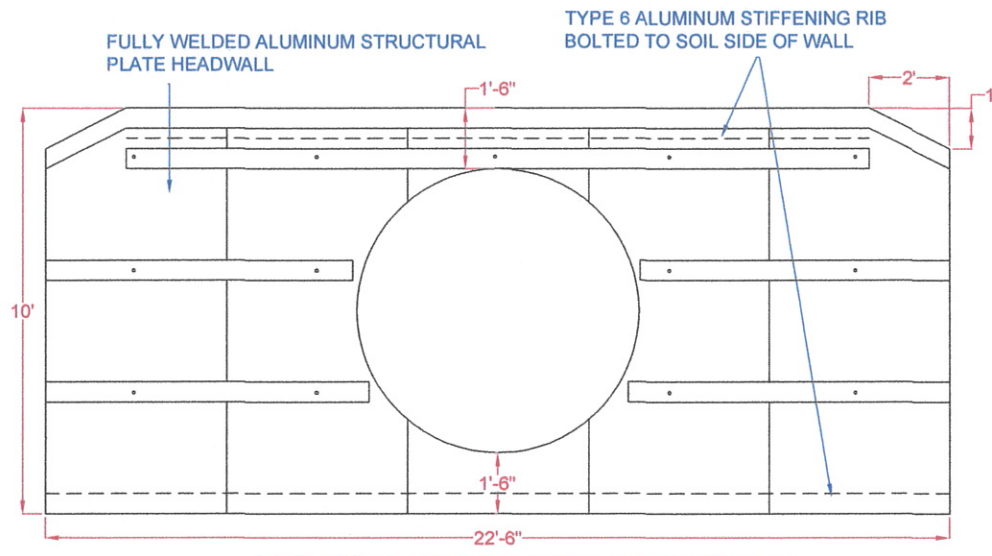


PLAN VIEW

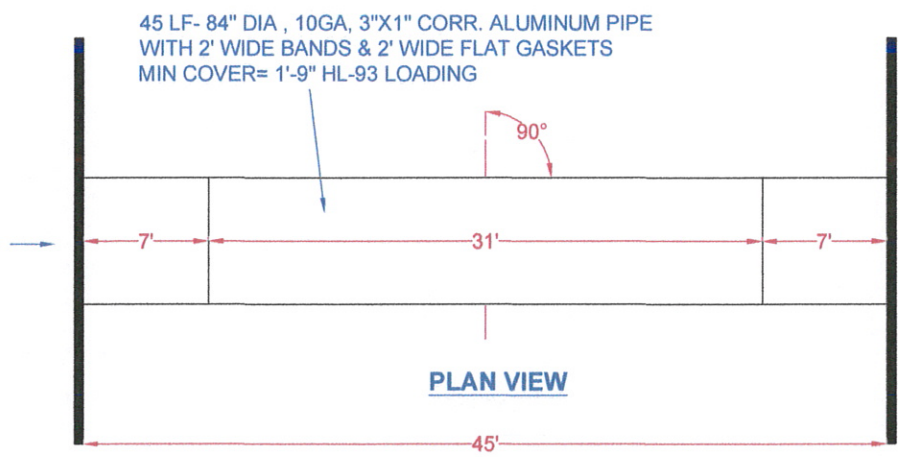
PROPOSED ELEVATIONS:

TOP ϵ ROAD = 100.00
 TOP OF HW = 98.58
 TOP OF PIPE = 96.83
 INV. STREAM = 93.33
 INV. OF PIPE = 92.33

DESCRIPTION	
<p>NCDOT JOHNSTON CO HICKORY CROSSROADS SR2344 SITE 40</p>	
FIRM:	
<p>POMONA PIPE PRODUCTS 4611 DUNDAS DR. GREENSBORO, NC 27407 336-292-8060</p>	
PROJECT:	
<p>DATE: NOV 11, 2016</p>	
SHEET	
NOT TO SCALE	



END VIEW- INLET & OUTLET HEADWALL



PLAN VIEW

PROPOSED ELEVATIONS:

- TOP ϵ ROAD= 100.00
- TOP HW= 99.00
- TOP PIPE= 97.50
- INV. STREAM= 91.50
- INV. PIPE= 90.50

DESCRIPTION	
<p>NCDOT- JOHNSTON CO SR-1575 BENNY RD SITE# 51</p>	
FIRM:	
PROJECT:	
DATE: NOV 28, 2016	SHEET
NOT TO SCALE	