



STATE OF NORTH CAROLINA
DEPARTMENT OF TRANSPORTATION

ROY COOPER
GOVERNOR

JAMES H. TROGDON, III
SECRETARY

August 8, 2017

Addendum No. 1

RE: **JOHNSTON COUNTY PIPE REPLACEMENT**

To Whom It May Concern:


Reference is made to the above-mentioned project. The following changes/additions/deletions have been made:

- The Shop Drawings for Sites 88, 155 and 174 have been revised. Please replace the drawings for these sites with the attached drawings for the corresponding sites.
- The proposed pipe and/or headwalls have been revised. Please replace the Site Information found on page 62 of the proposal with the attached revised Site Information.
- The bid form has been revised to reflect the changes to Sites 88, 155 and 174. There was also an error on the Quantity for Item Numbers 1, 33 and 40. Please replace the Bid Forms found on pages 104 through 107 of the proposal with the attached revised Bid Forms.

This sheet and attachments shall be made a part of the plans and bid documents and shall be submitted with the bid. Bids submitted without the addenda and attachments will be considered non-responsive.

If there are any questions, please contact me at (252) 640-6416.

Sincerely,

DocuSigned by:

BC8FE3BCFE014EA...
8/8/2017

J. Charles Cauley
Division Four Contracts and Proposals Engineer

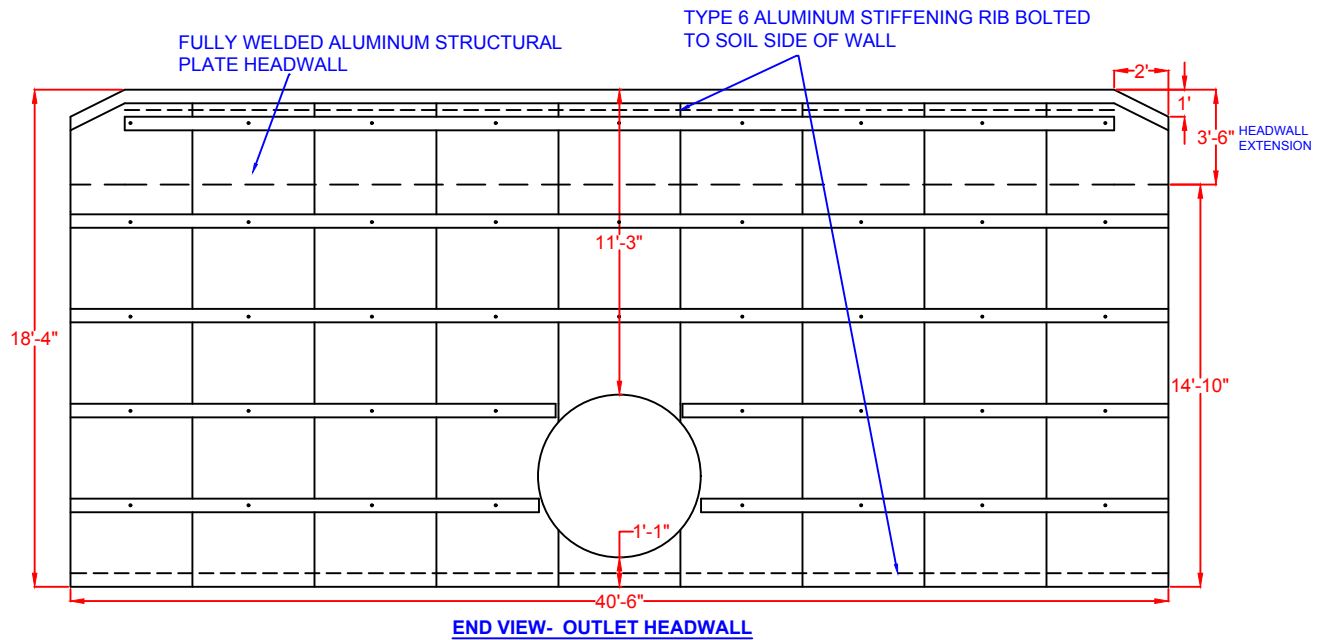
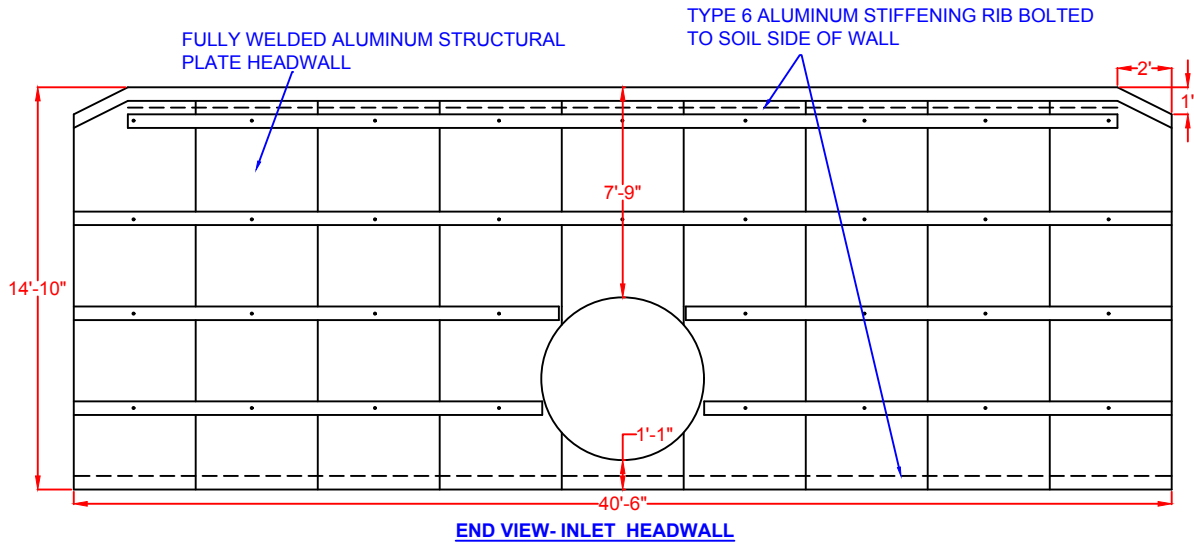
JCC/vpg
Attachments

Mailing Address:
NC DEPARTMENT OF TRANSPORTATION
DIVISION FOUR OFFICE
POST OFFICE BOX 3165
WILSON, NC 27895

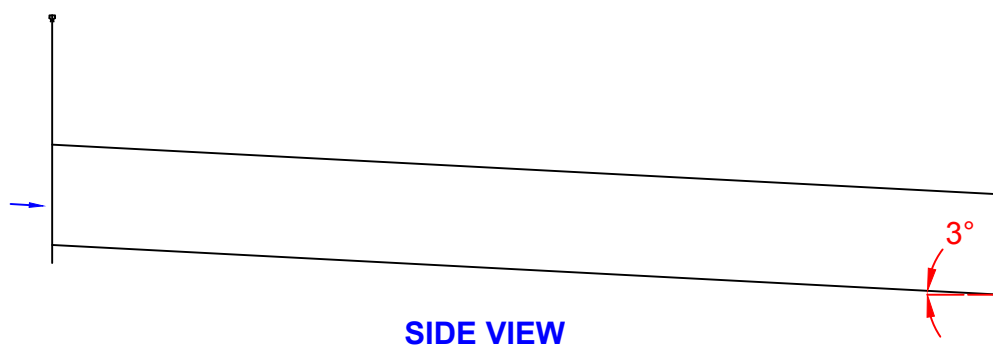
Telephone: (252) 640-6400
Fax: (252) 234-6174
Customer Service: 1-877-368-4968

Website: www.ncdot.gov

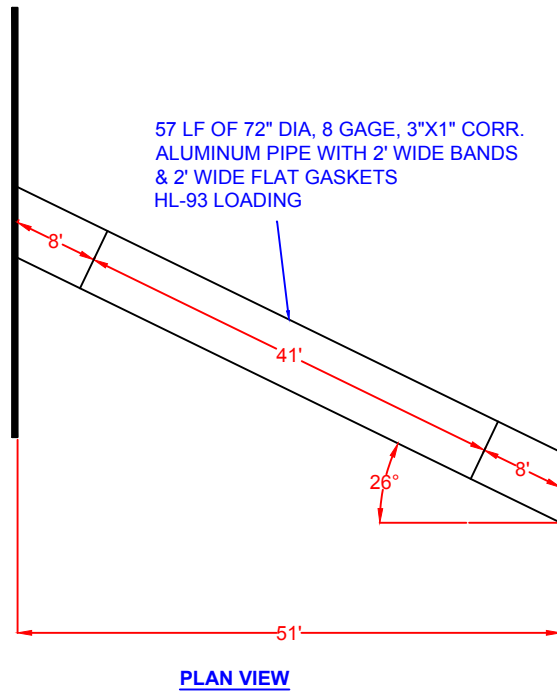
Location:
509 WARD BOULEVARD
WILSON, NC 27895



DESCRIPTION	
<p>NCDOT JOHNSTON CO SR-1331 FEDERAL RD SITE #88</p>	
FIRM:	
PROJECT:	
DATE: AUG 2, 2017	SHEET 1 OF 2
NOT TO SCALE	



57 LF OF 72" DIA, 8 GAGE, 3"X1" CORR.
ALUMINUM PIPE WITH 2' WIDE BANDS
& 2' WIDE FLAT GASKETS
HL-93 LOADING

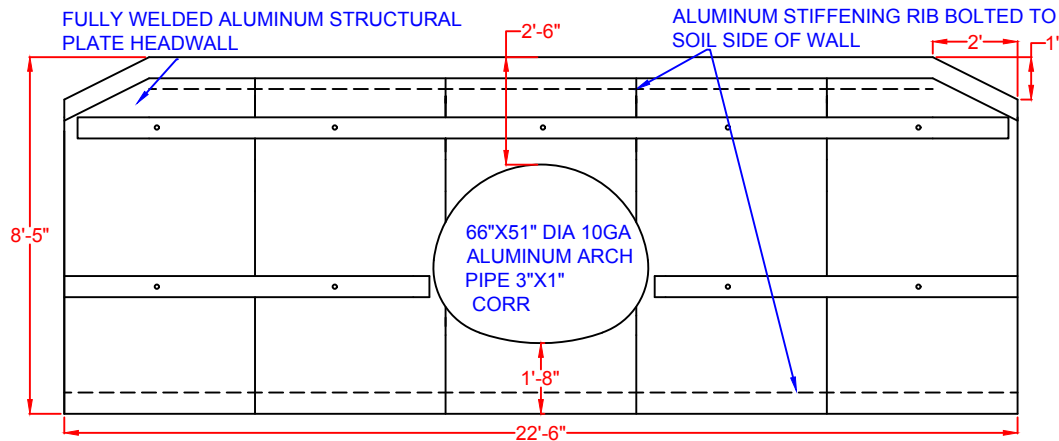


PROPOSED ELEVATIONS:

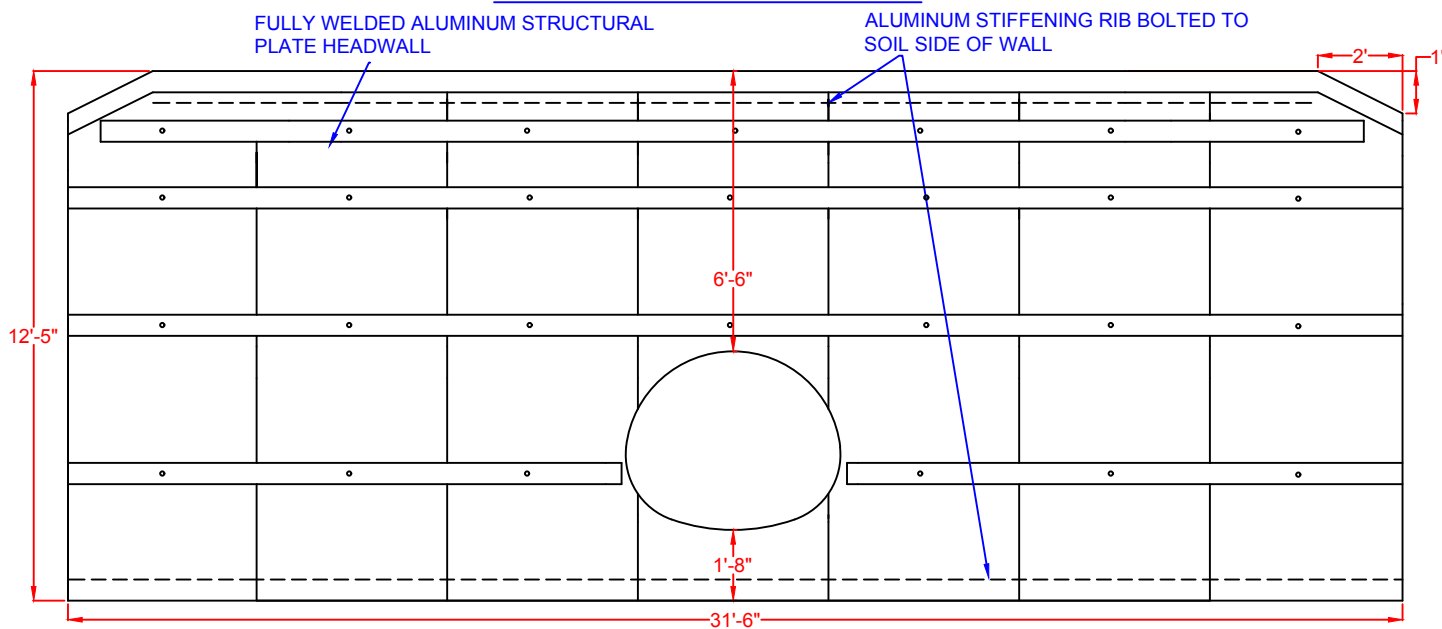
INLET
TOP ϵ ROAD= 100.00
TOP HW= 97.15
TOP OF PIPE= 89.40
INV STREAM= 84.40
INV PIPE= 83.40

OUTLET
TOP HW= 97.75
TOP OF PIPE= 86.50
INV STREAM= 81.00
INV PIPE= 80.50

DESCRIPTION	
NCDOT JOHNSTON CO SR-1331 FEDERAL RD SITE #88	
FIRM:	
PROJECT:	
DATE: AUG 2, 2017	SHEET 2 OF 2
NOT TO SCALE	



END VIEW- INLET HEADWALL



END VIEW- OUTLET HEADWALL

DESCRIPTION

NCDOT JOHNSTON CO
 SR 1330 SITE #155
 3733 POLENTA RD
 CLAYTON NC

FIRM:

PROJECT:

DATE:
 AUG 2, 2017

SHEET
 1 of 2

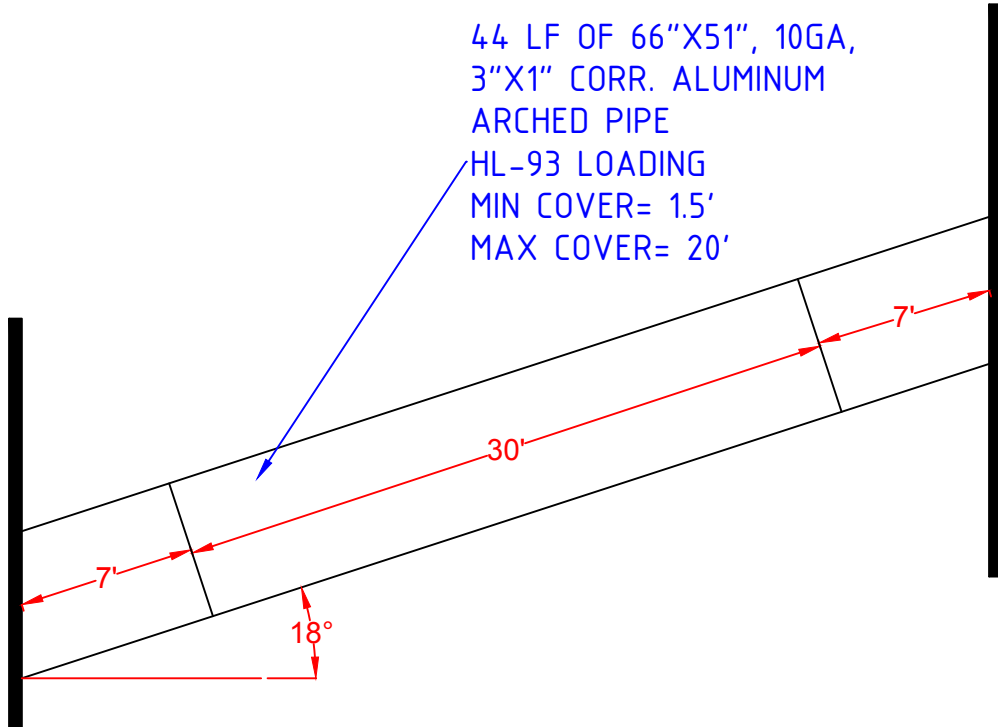
NOT TO SCALE

44 LF OF 66"X51", 10GA,
 3"X1" CORR. ALUMINUM
 ARCHED PIPE
 HL-93 LOADING
 MIN COVER= 1.5'
 MAX COVER= 20'

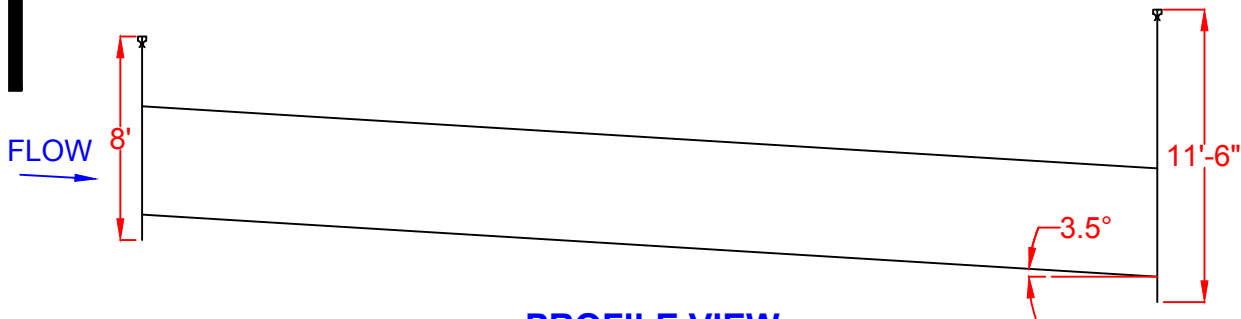
PROPOSED ELEVATIONS:

INLET
 INLET EP=98.40
 TOP OF HW= 97.45
 TOP OF PIPE= 94.95
 INV STREAM= 92.70
 INV OF PIPE= 90.70

OUTLET
 OUTLET EP= 100.00
 TOP OF HW= 98.95
 TOP OF PIPE= 92.45
 INV STREAM= 88.70
 INV PIPE= 88.20



PLAN VIEW



PROFILE VIEW

DESCRIPTION

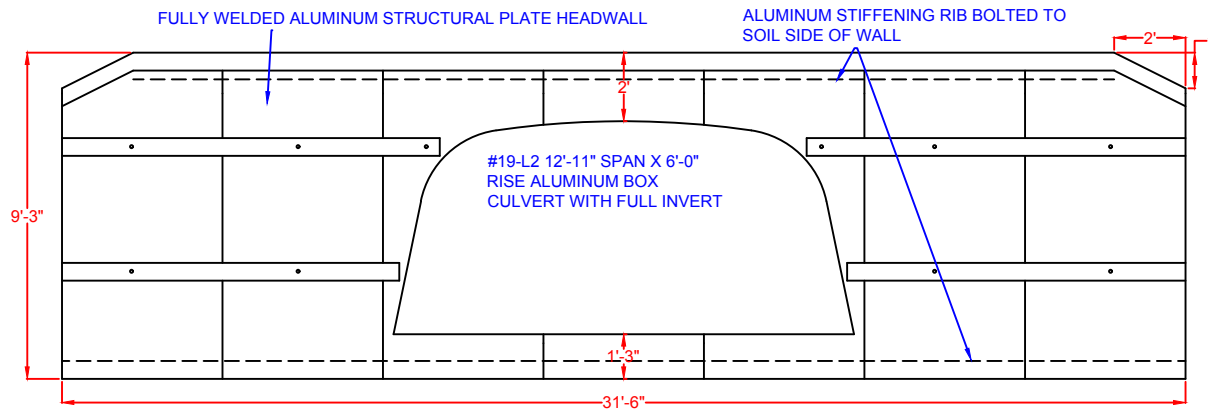
NCDOT JOHNSTON CO
 SR 1330 SIE #155
 3733 POLENTA RD
 CLAYTON NC

FIRM:

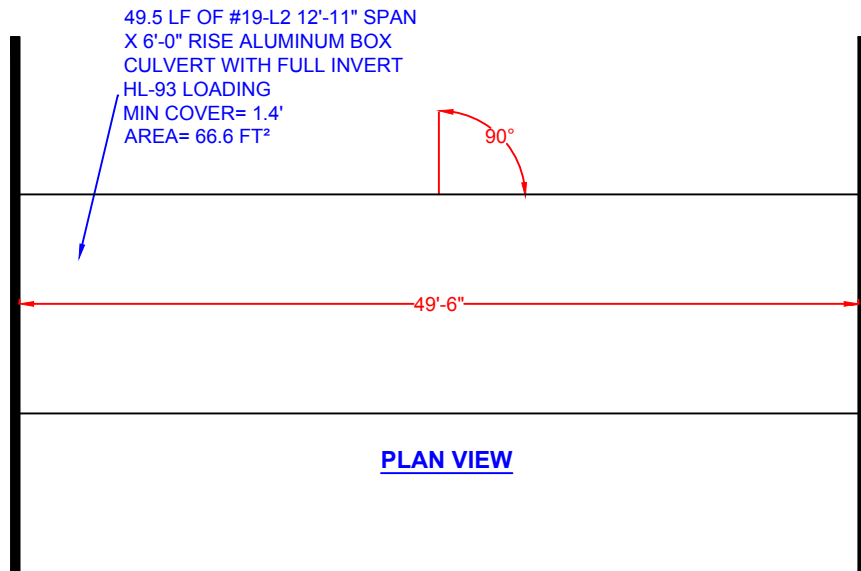
PROJECT:

DATE: AUG 2, 2017 SHEET 2 of 2

NOT TO SCALE



END VIEW- INLET & OUTLET HEADWALL



PLAN VIEW

PROPOSED ELEVATIONS:

- € ROAD= 100.00
- TOP OF WALL= 99.00
- TOP OF PIPE= 97.00
- INV OF STREAM= 92.00
- INV OF PIPE= 91.00

DESCRIPTION	
<p>NCDOT JOHNSTON CO 420 POLENTA RD SR 1330 SMITHFIELD SITE # 174</p>	
FIRM:	
PROJECT:	
DATE: AUG 1, 2017	SHEET
NOT TO SCALE	

Site Information

Site #	WBS	Road NO.	Road Name	Latitude	Longitude	Proposed pipe	Pipe Lngth	Inlet Headwall Sz	Outlet Headwall Sz
17	DF15004.2051032	SR 2309	Pine Level-Micro Rd	35.536372	-78.225037	2 @ 112" x 75" CMPA w/HW	56'	45 LF	45 LF
18	DF15004.2051033	SR 2363	Batten Farm Rd	35.532218	-78.193653	1 @ 95" x 67" CMPA w/HW	45'	27 LF	27 LF
40	DF15004.2051031	SR 2344	Hickory Crossroads	35.564135	-78.127244	2 @ 54" CMP w/HW	45'	27 LF	27 LF
51	DF15004.2051044	SR 1575	Benny Rd	35.590039	-78.423606	1 @ 84" CMP w/HW	45'	22.5 LF	22.5 LF
76	DF15004.2051062	SR 2543	Grabtown Rd	35.426785	-78.272884	1 @ 54" CMP w/HW	48'	27 LF	27 LF
88	DF15004.2051071	SR 1331	Federal Rd	35.447037	-78.528532	1 @ 72" CMP w/HW	57'	40.5 LF	40.5 LF
122	15004.1051034	SR 1008	Harper House Rd	35.334722	-78.216389	1 @ 20'-3" x 8'-5" AABC w/HW	49.5'	40.5 LF	33 LF + 13.5 LF WING
125	15004.1051035	SR 1009	Devil's Race Track Rd	35.325556	-78.283889	1 @ 87" x 63" CMPA w/HW	45'	27 LF	27 LF
131	15004.1051036	SR 1008	Harper House Rd	35.298889	-78.327500	1 @ 21'-7" x 4'-11" AABC w/HW	45'	45 LF	45 LF
155	DF15004.2051119	SR 1330	Polenta Rd	35.553333	-78.526807	1 @ 66" x 51" CMPA w/HW	44'	22.5 LF	31.5 LF
174	DF15004.2051140	SR 1330	Polenta Rd	35.551833	-78.473702	1 @ 12'-11" x 6'-0" AABC w/HW	49.5'	31.5 LF	31.5 LF
205	DF15004.2051164	SR 1330	Polenta Rd	35.557895	-78.519953	1 @ 81" x 59" CMPA w/HW	50'	27 LF	27 LF
209	DF15004.2051168	SR 1550	Winston Rd	35.638331	-78.530122	1 @ 60" CMP w/HW	45'	22.5 LF	22.5 LF
230	17BP.4.C.3	SR 2518	Redhouse Rd	35.449943	-78.230402	1 @ 23'-0" x 6'-1" AABC w/HW	49.5'	40.5 LF	40.5 LF

North Carolina Dept. of Transportation Bid Form

ITEM	SECT	DESCRIPTION	QTY.	UNIT	UNIT PRICE	AMOUNT BID
1	SP	MOBILIZATION	14	EA		
2	SP	BACK HOE	40	HR		
3	SP	EXCAVATOR	80	HR		
4	SP	PIPE TRANSPORT	40	HR		
5	200	CLEARING AND GRUBBING	0.25	ACR		
6	230	BORROW EXCAVATION	250	CY		
7	250	REMOVAL OF EXISTING ASPHALT PAVEMENT	2,000	SY		
8	SP	EXCAVATION	800	CY		
9	270	GEOTEXTILE FOR SOIL STABILIZATION	300	SY		
10	300	FOUNDATION CONDITIONING MATERIAL, MINOR STURCTURES	900	TON		
11	300	FOUNDATION CONDITIONING GEOTEXTILE	900	SY		
12	520	AGGREGATE BASE COURSE	5,000	TON		
13	SP	SITE 17 - INSTALLATION OF NCDOT PROVIDED DUAL 56 LF OF 112" X 75" CMPA w/ 90 LF OF HEADWALLS	112	LF		
14	SP	SITE 18 - INSTALLATION OF NCDOT PROVIDED 45 LF OF 95" X 67" CMPA w/ 54 LF OF HEADWALLS	45	LF		
15	SP	SITE 40 - INSTALLATION OF NCDOT PROVIDED DUAL 45 LF OF 54" CMP w/ 54 LF OF HEADWALLS	90	LF		
16	SP	SITE 51 - INSTALLATION OF NCDOT PROVIDED 45 LF OF 84" CMP w/ 45 LF OF HEADWALLS	45	LF		

North Carolina Dept. of Transportation Bid Form Cont.

ITEM	SECT	DESCRIPTION	QTY.	UNIT	UNIT PRICE	AMOUNT BID
17	SP	SITE 76 - INSTALLATION OF NCDOT PROVIDED 48 LF OF 54" CMP w/ 54 LF OF HEADWALLS	48	LF		
18	SP	SITE 88 - INSTALLATION OF NCDOT PROVIDED 57 LF OF 72" CMP w/ 81 LF OF HEADWALLS	57	LF		
19	SP	SITE 122 - INSTALLATION OF NCDOT PROVIDED 49.5 LF OF 20'-3" X 8'-5" AABC w/ 87 LF OF HEADWALLS	49.5	LF		
20	SP	SITE 125 - INSTALLATION OF NCDOT PROVIDED 45 LF OF 87" X 63" CMPA w/ 54 LF OF HEADWALLS	45	LF		
21	SP	SITE 131 - INSTALLATION OF NCDOT PROVIDED 45 LF OF 21'-7" X 4'-11" AABC w/ 90 LF OF HEADWALLS	45	LF		
22	SP	SITE 155 - INSTALLATION OF NCDOT PROVIDED 44 LF OF 66" X 51" CMPA w/ 54 LF OF HEADWALLS	44	LF		
23	SP	SITE 174 - INSTALLATION OF NCDOT PROVIDED 49.5 LF OF 12'-11" X 6'-0" AABC w/ 63 LF OF HEADWALLS	49.5	LF		
24	SP	SITE 205 - INSTALLATION OF NCDOT PROVIDED 50 LF OF 81" X 59" CMPA w/ 54 LF OF HEADWALLS	50	LF		
25	SP	SITE 209 - INSTALLATION OF NCDOT PROVIDED 45 LF OF 60" CMP w/ 45 LF OF HEADWALLS	45	LF		
26	SP	SITE 230 - INSTALLATION OF NCDOT PROVIDED 49.5 LF OF 23'-0" X 6'-1" AABC w/ 81 LF OF HEADWALLS	49.5	LF		
27	610	ASPHALT CONC BASE COURSE, TYPE B25.0B	300	TON		
28	610	ASPHALT CONC SURFACE COURSE, TYPE S9.5B	120	TON		

North Carolina Dept. of Transportation Bid Form Cont.

ITEM	SECT	DESCRIPTION	QTY.	UNIT	UNIT PRICE	AMOUNT BID
29	610	ASPHALT CONC SURFACE COURSE, TYPE SF9.5A	170	TON		
30	620	ASPHALT BINDER FOR PLANT MIX	25	TON		
31	876	RIP RAP, CLASS B	650	TON		
32	876	GEOTEXTILE FOR DRAINAGE	600	SY		
33	SP	TRAFFIC CONTROL	14	EA		
34	1120	PORTABLE CHANGEABLE MESSAGE SIGN (SHORT TERM)	420	DAY		
35	1605	TEMPORARY SILT FENCE	900	LF		
36	1610	SEDIMENT CONTROL STONE	3	TON		
37	1631	MATTING FOR EROSION CONTROL	600	SY		
38	SP	COIR FIBER MAT	150	SY		
39	1632	1/4" HARDWARE CLOTH	20	LF		
40	SP	SPECIAL STILLING BASIN	14	EA		
41	SP	WATTLE	160	LF		
42	SP	POLYACRYLAMIDE (PAM)	16	LB		
43	1660	SEEDING & MULCHING	1.5	ACR		
44	SP	PUMP AROUND OPERATION SITE 17	1	EA		
45	SP	PUMP AROUND OPERATION SITE 18	1	EA		
46	SP	PUMP AROUND OPERATION SITE 40	1	EA		
47	SP	PUMP AROUND OPERATION SITE 51	1	EA		

North Carolina Dept. of Transportation Bid Form Cont.

ITEM	SECT	DESCRIPTION	QTY.	UNIT	UNIT PRICE	AMOUNT BID
48	SP	PUMP AROUND OPERATION SITE 76	1	EA		
49	SP	PUMP AROUND OPERATION SITE 88	1	EA		
50	SP	PUMP AROUND OPERATION SITE 122	1	EA		
51	SP	PUMP AROUND OPERATION SITE 125	1	EA		
52	SP	PUMP AROUND OPERATION SITE 131	1	EA		
53	SP	PUMP AROUND OPERATION SITE 155	1	EA		
54	SP	PUMP AROUND OPERATION SITE 174	1	EA		
55	SP	PUMP AROUND OPERATION SITE 205	1	EA		
56	SP	PUMP AROUND OPERATION SITE 209	1	EA		
57	SP	PUMP AROUND OPERATION SITE 230	1	EA		
58	SP	IMPERVIOUS DIKE	600	LF		

TOTAL BID FOR PROJECT: _____