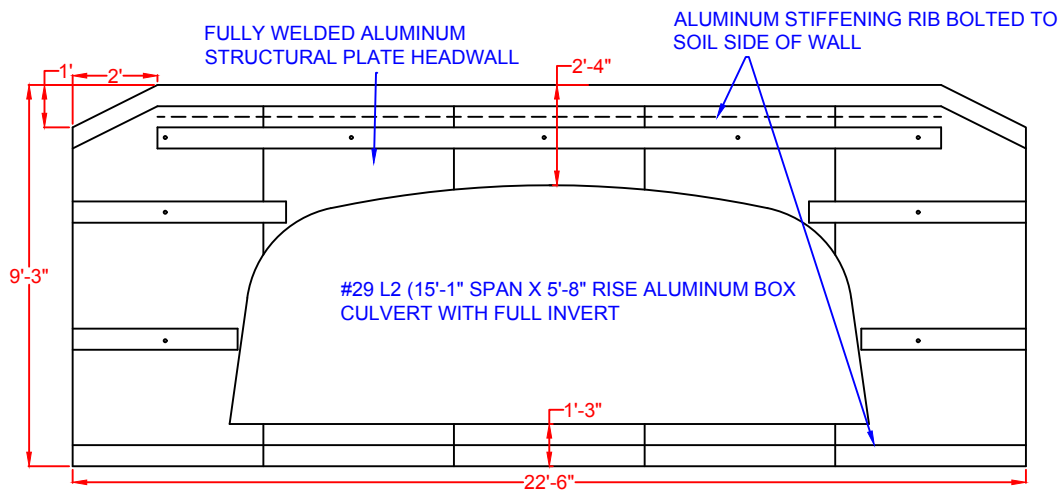


**END VIEW- INLET HEADWALL**

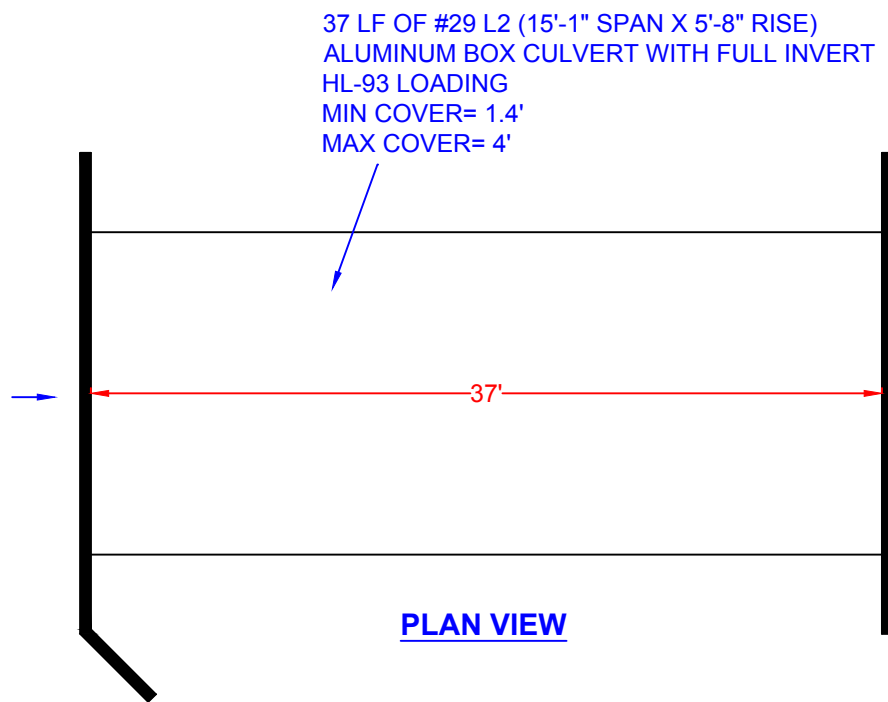


**END VIEW- OUTLET HEADWALL**

**PROPOSED ELEVATIONS:**

- € ROAD= 100.00
- TOP OF WALL= 99.00
- TOP OF PIPE= 96.66
- INV OF STREAM= 92.00
- INV OF PIPE= 91.00

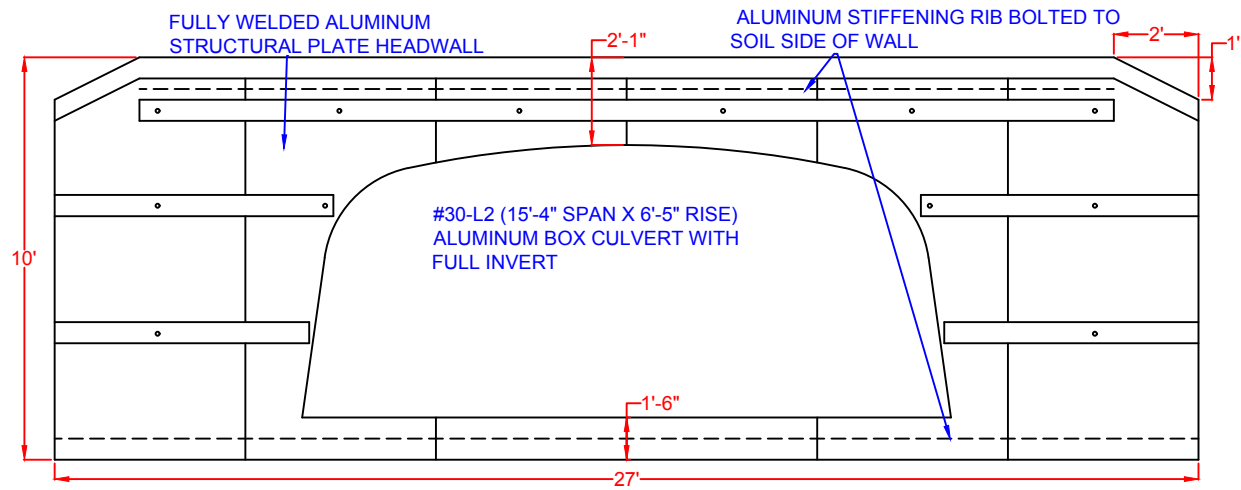
DESCRIPTION	
<p><b>NCDOT NASH CO</b>  <b>SR 1733 PIPE E2277</b>  <b>611 MILL BRANCH RD</b></p>	
FIRM:	
PROJECT:	
DATE: JULY 28, 2017	SHEET
NOT TO SCALE	



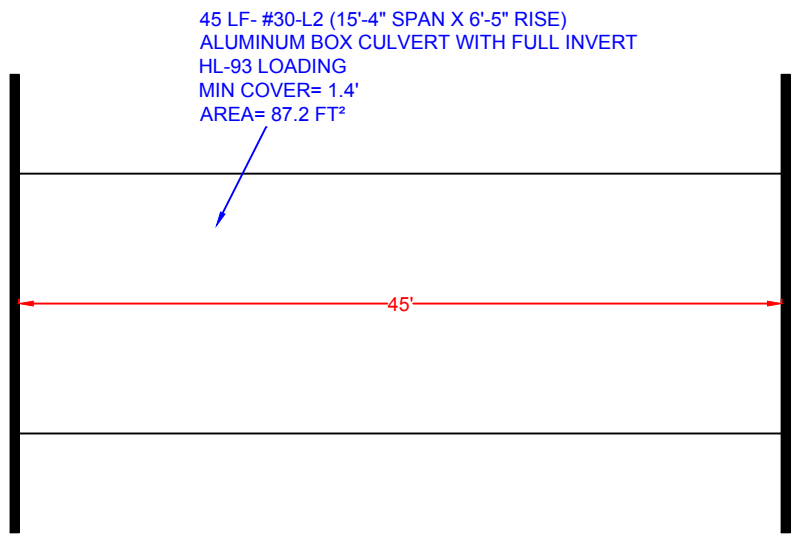
37 LF OF #29 L2 (15'-1" SPAN X 5'-8" RISE)  
 ALUMINUM BOX CULVERT WITH FULL INVERT  
 HL-93 LOADING  
 MIN COVER= 1.4'  
 MAX COVER= 4'

PLAN VIEW

DESCRIPTION	
NCDOT NASH CO SR 1733 PIPE E2277 611 MILL BRANCH RD	
FIRM:	
PROJECT:	
DATE: JULY 28, 2017	SHEET
NOT TO SCALE	



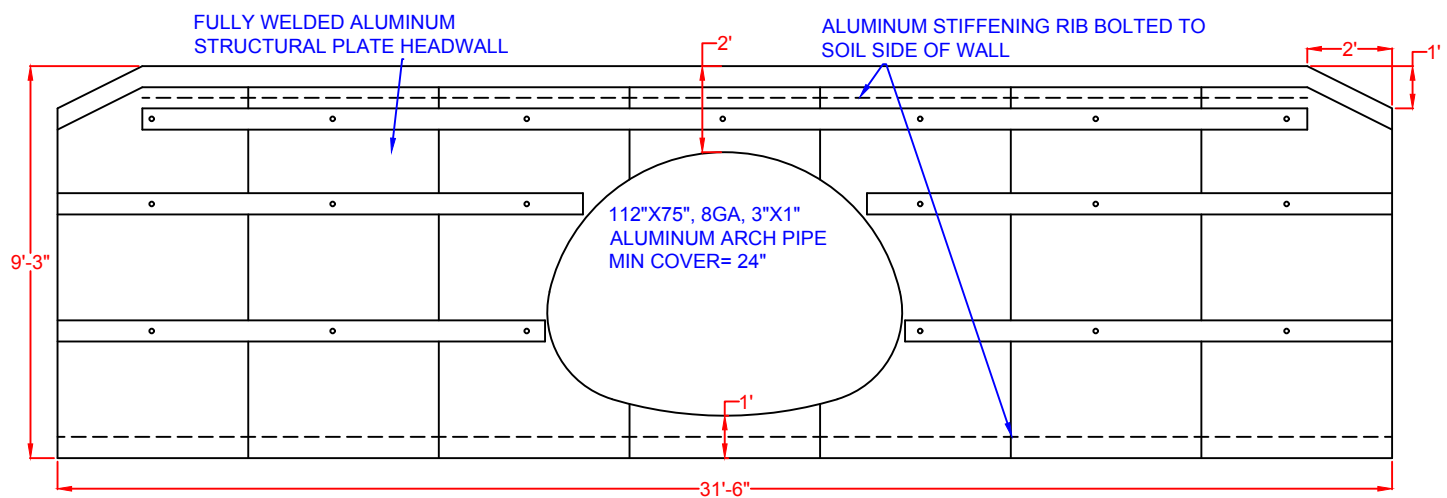
**END VIEW- INLET & OUTLET HEADWALL**



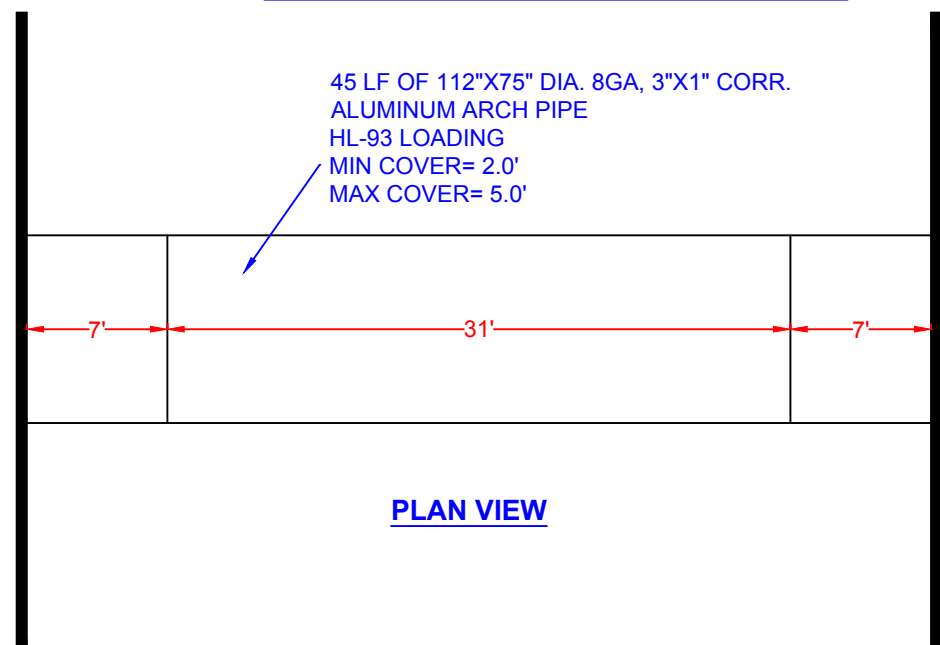
**PROPOSED ELEVATIONS:**

- € ROAD= 100.00
- TOP OF WALL= 99.00
- TOP OF PIPE= 96.92
- INV OF STREAM= 91.50
- INV OF PIPE=90.50

DESCRIPTION	
<p><b>NCDOT WILSON CO</b>  <b>4738 MATHEWS ROAD</b>  <b>SR 1427</b></p>	
FIRM:	
PROJECT:	
DATE: JULY 28, 2017	SHEET
NOT TO SCALE	



**END VIEW- INLET & OUTLET HEADWALL**



**PLAN VIEW**

**PROPOSED ELEVATIONS:**

- € ROAD= 100.00
- TOP OF WALL= 99.25
- TOP OF PIPE= 97.25
- INV OF STREAM= 92.00
- INV OF PIPE= 91.00

DESCRIPTION	
<p><b>NCDOT SR 1106 LEWIS RD FOUNTAIN, NC</b></p>	
FIRM:	
PROJECT:	
DATE: JULY 20, 2017	SHEET
NOT TO SCALE	