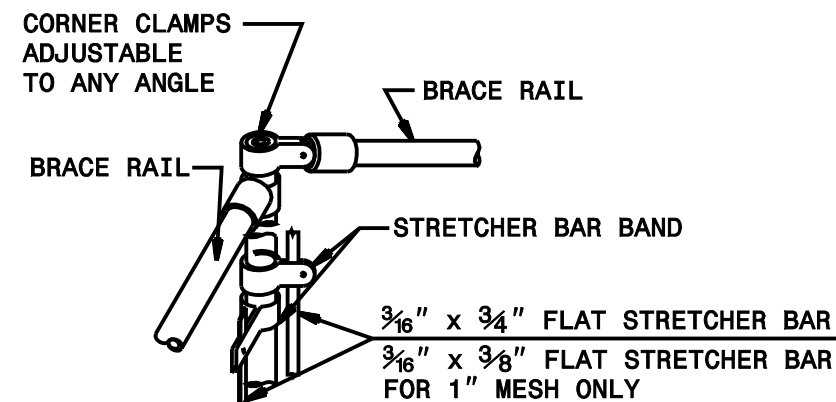
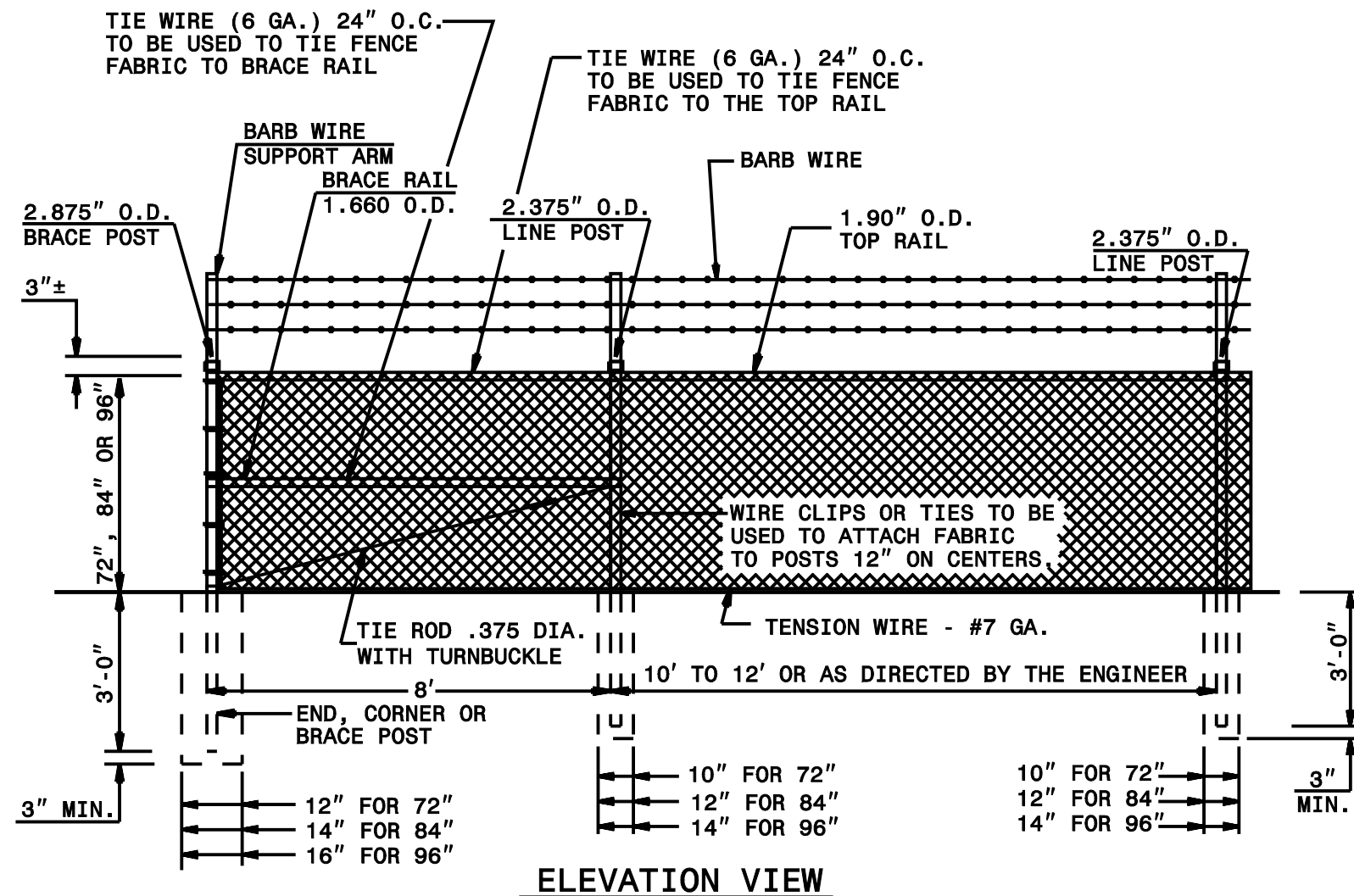


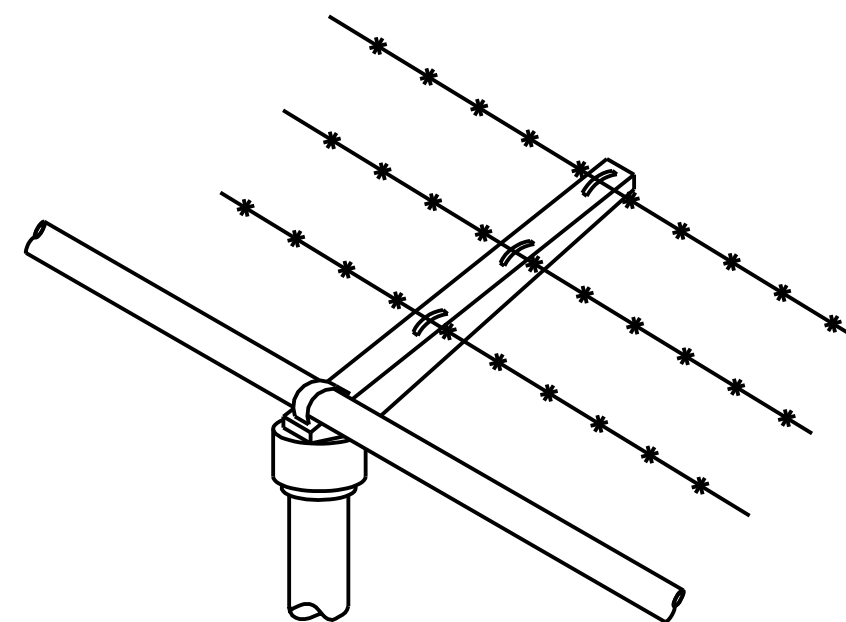
**END, GATE OR BRACE POST
WITH STRETCHER BAR ATTACHMENT**



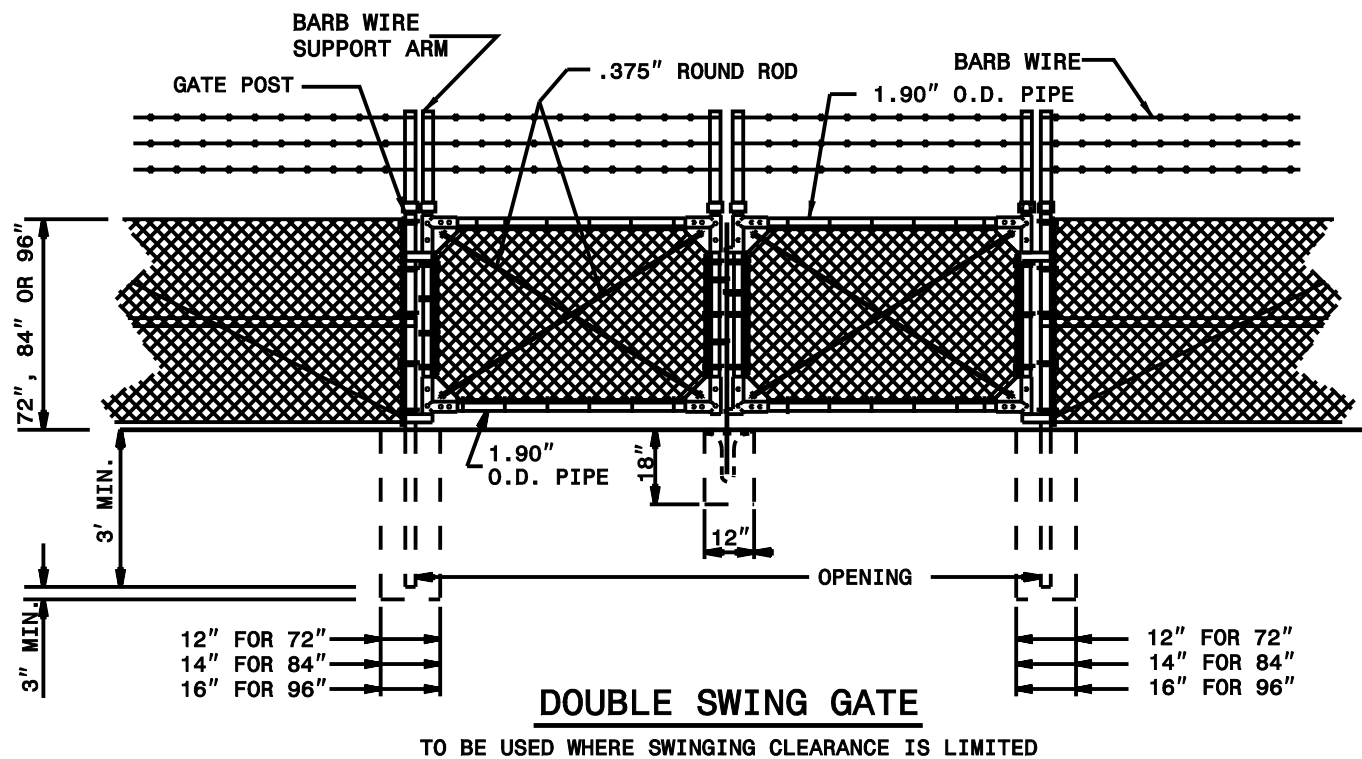
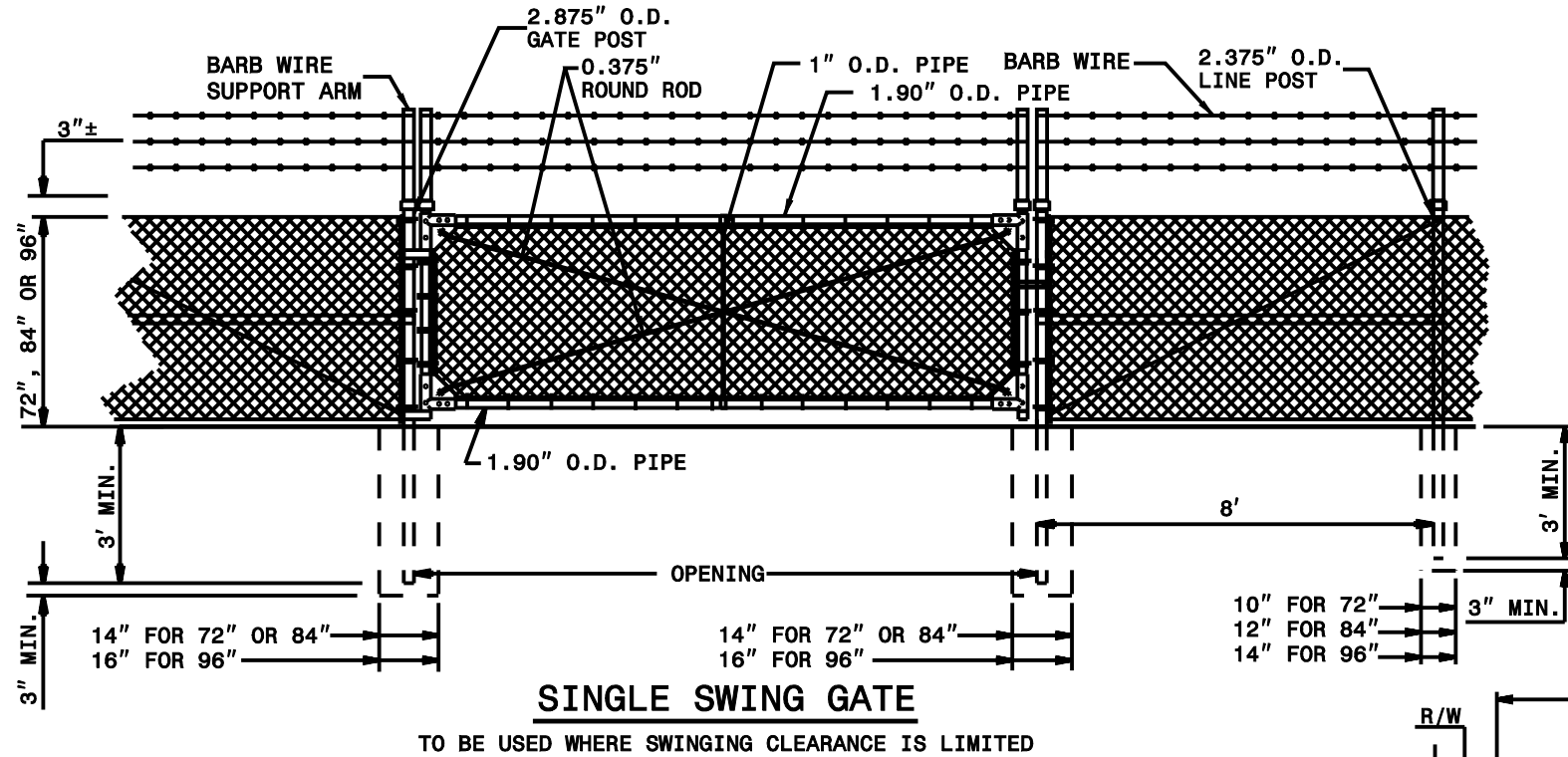
**CORNER WITH STRETCHER
BAR ATTACHMENT**



ELEVATION VIEW



**BARBED WIRE FENCE
SUPPORT ARM**



MAXIMUM WIRE SPACING TO BE 6".
MAXIMUM CLEARANCE BETWEEN LOWEST STRAND AND GROUND TO BE 6".
BRACE POSTS SHALL BE ERECTED BETWEEN END, CORNER OR GATE POSTS AT INTERVALS NOT EXCEEDING 700' ON TANGENTS OR 350' ON SHORT RADIUS CURVES.
ADDITIONAL BRACE POSTS SHALL BE ERECTED IF SO DIRECTED BY THE ENGINEER.
BRACE POSTS SHALL BE BRACED FROM BOTH SIDES OF POST.

NOTE: FENCE HARDWARE VARIES DUE TO DIFFERING MANUFACTURES SUPPLIES.

