

STATE OF NORTH CAROLINA
DEPARTMENT OF TRANSPORTATION
HIGHWAY DIVISION 6

PLANS

Letting Date: January 18, 2023

CONTRACT ID: D6BR.POC.022

TIP NO.: -----

FEDERAL AID NO.: STATE FUNDED

WBS ELEMENT NO.: 6B.207814.2

ROUTE NO.: SR 2513

LOCATION: VARIOUS

COUNTY: ROBESON

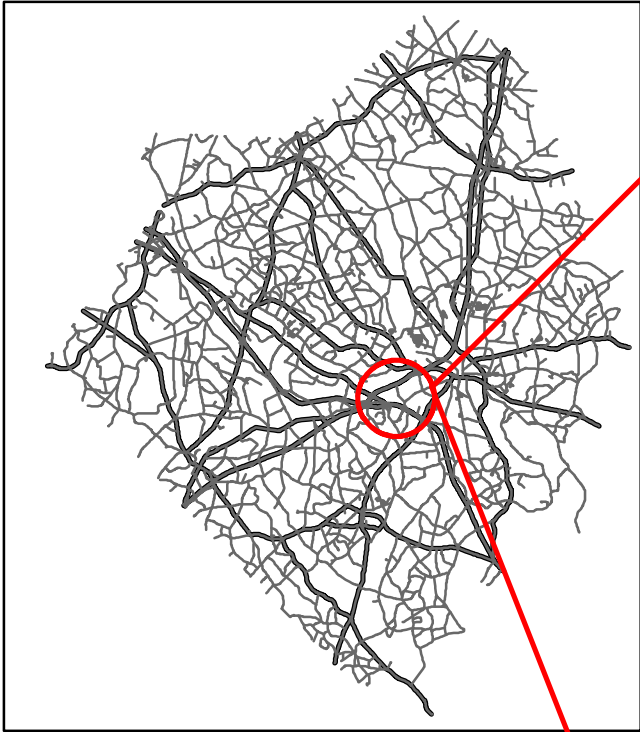
LENGTH OF PROJECT: VARIOUS

TYPE OF WORK: PIPE REMOVAL & REPLACEMENTS

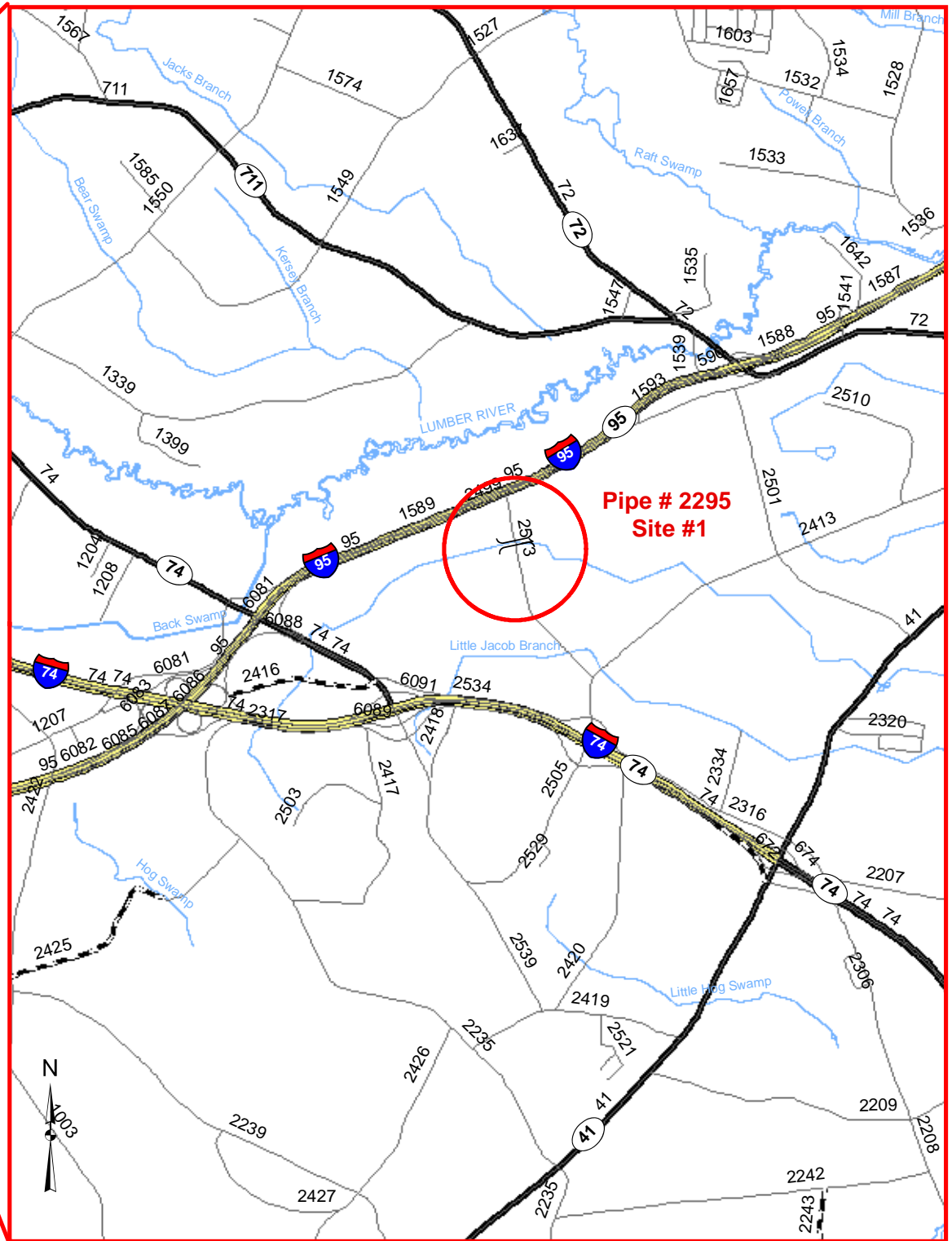
**This electronic collection of documents is provided
for the convenience of the user
and is Not a Certified Document –**

**The documents contained herein were originally issued
and sealed by the individuals whose names and license
numbers appear on each page, on the dates appearing
with their signature on that page.**

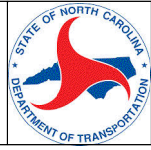
**This file or an individual page
shall not be considered a certified document.**



**Robeson County
VICINITY MAP
SR 2513, Contempora Dr.
0.29 MI S of SR 2499
NON NBIS Bridge Pipe**



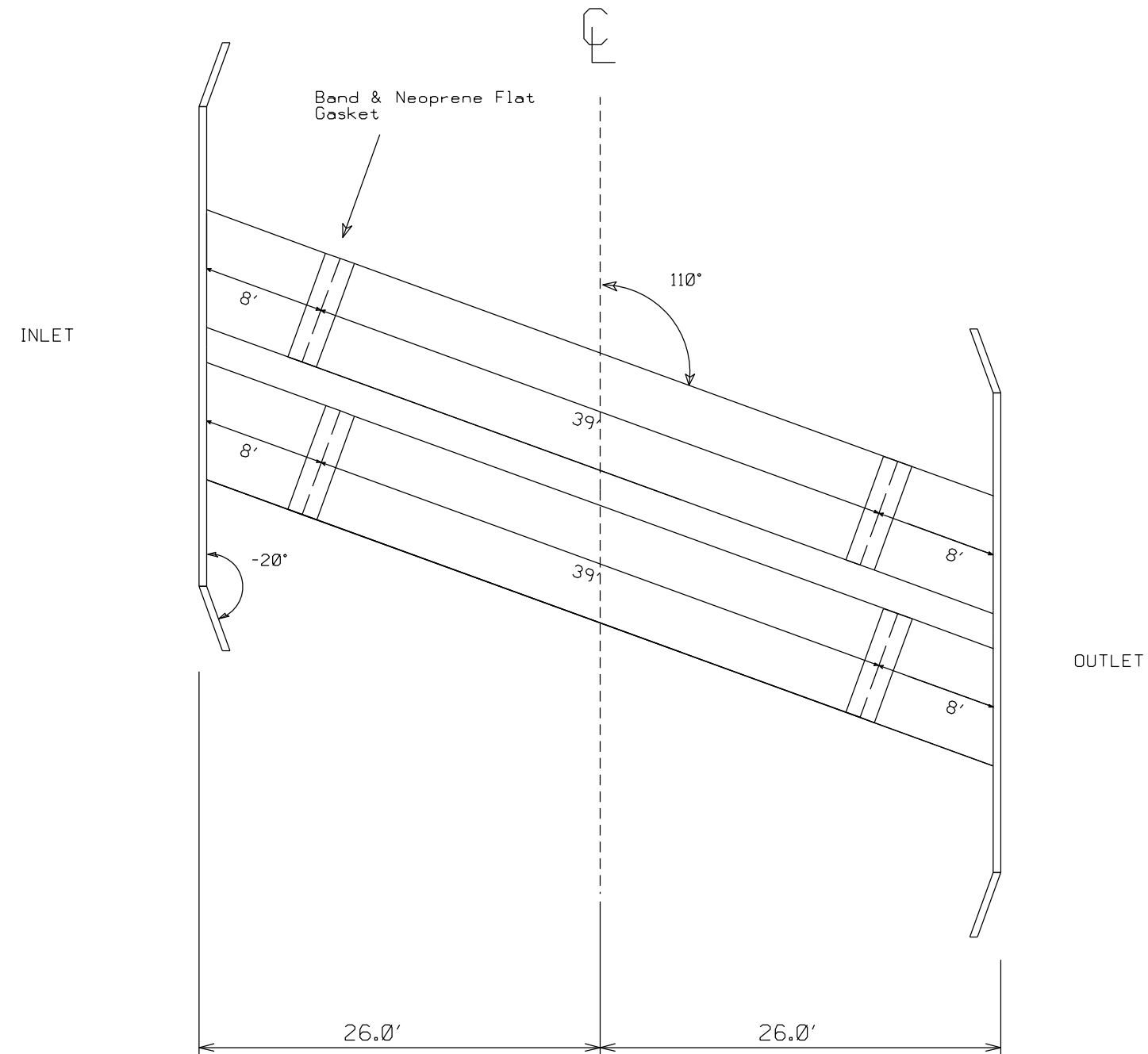
COUNTY:	ROBESON
LOCATION:	SR 2513, SITE #1
EXISTING:	2 = 60" CMP W/HW
PROPOSED:	2 = 87" X 63" CMP W/HWs



LAYOUT FOR FIELD INSTALLATION

SCALE - 1" = 10'

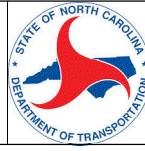
PROFILE LAYOUT



* REFERENCE ONLY -
Tieback and Wellbeam
Locations to be
determined in
Engineered Design

TOTAL LF = 110'

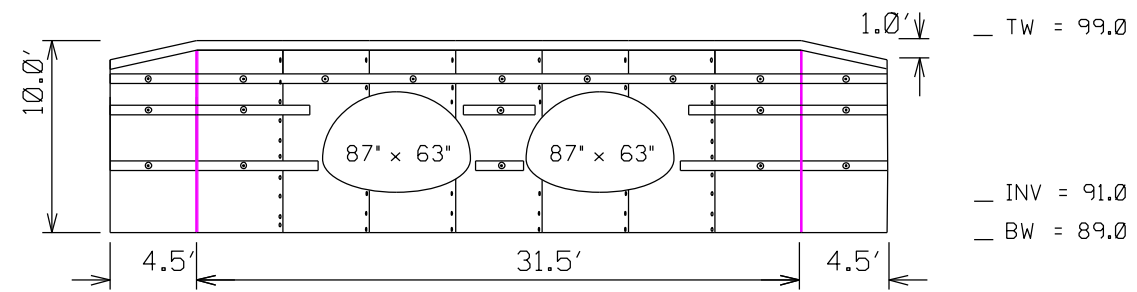
COUNTY:	ROBESON
LOCATION:	SR 2513, SITE #1
EXISTING:	2 = 60" CMP W/HW
PROPOSED:	2 = 87" X 63" CMP W/HW _s



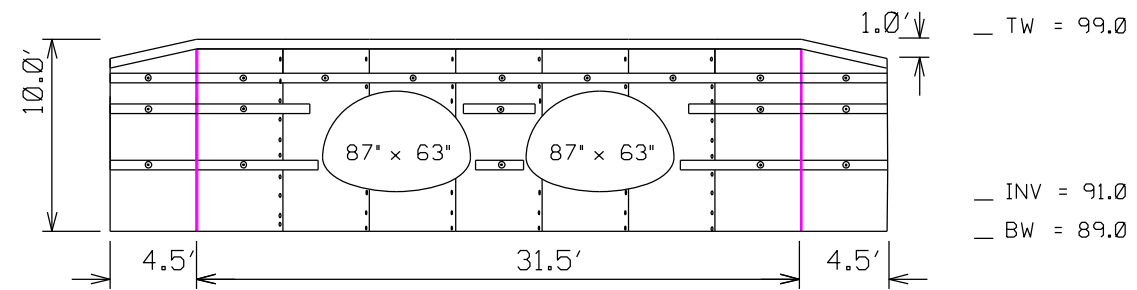
LAYOUT FOR FIELD INSTALLATION

SCALE - 1" = 10'

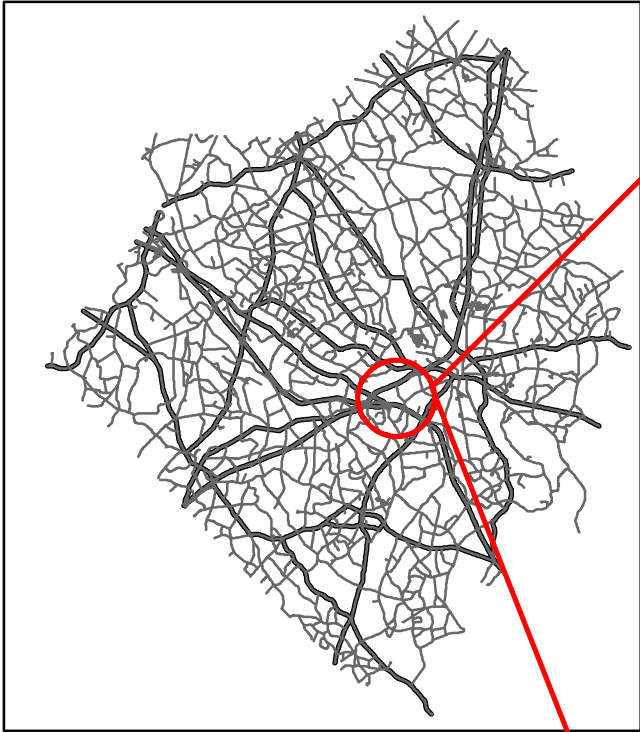
INLET HEADWALL



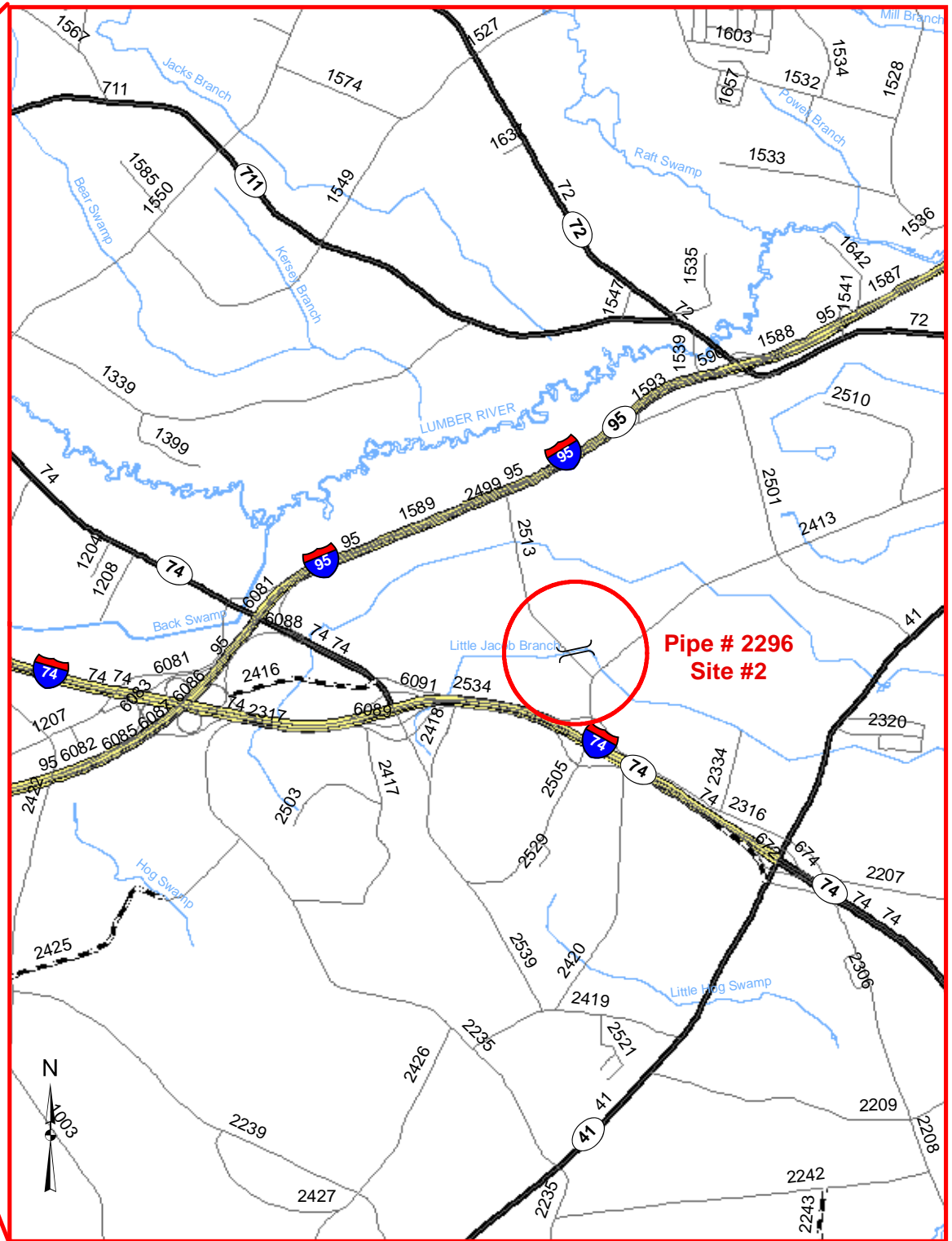
OUTLET HEADWALL



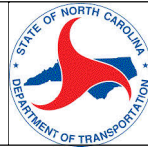
* REFERENCE ONLY -
Tieback and Wellbeam
Locations to be
determined in
Engineered Design



**Robeson County
VICINITY MAP
SR 2513, Contempora Dr.
0.19 MI N of SR 2413
NON NBIS Bridge Pipe**



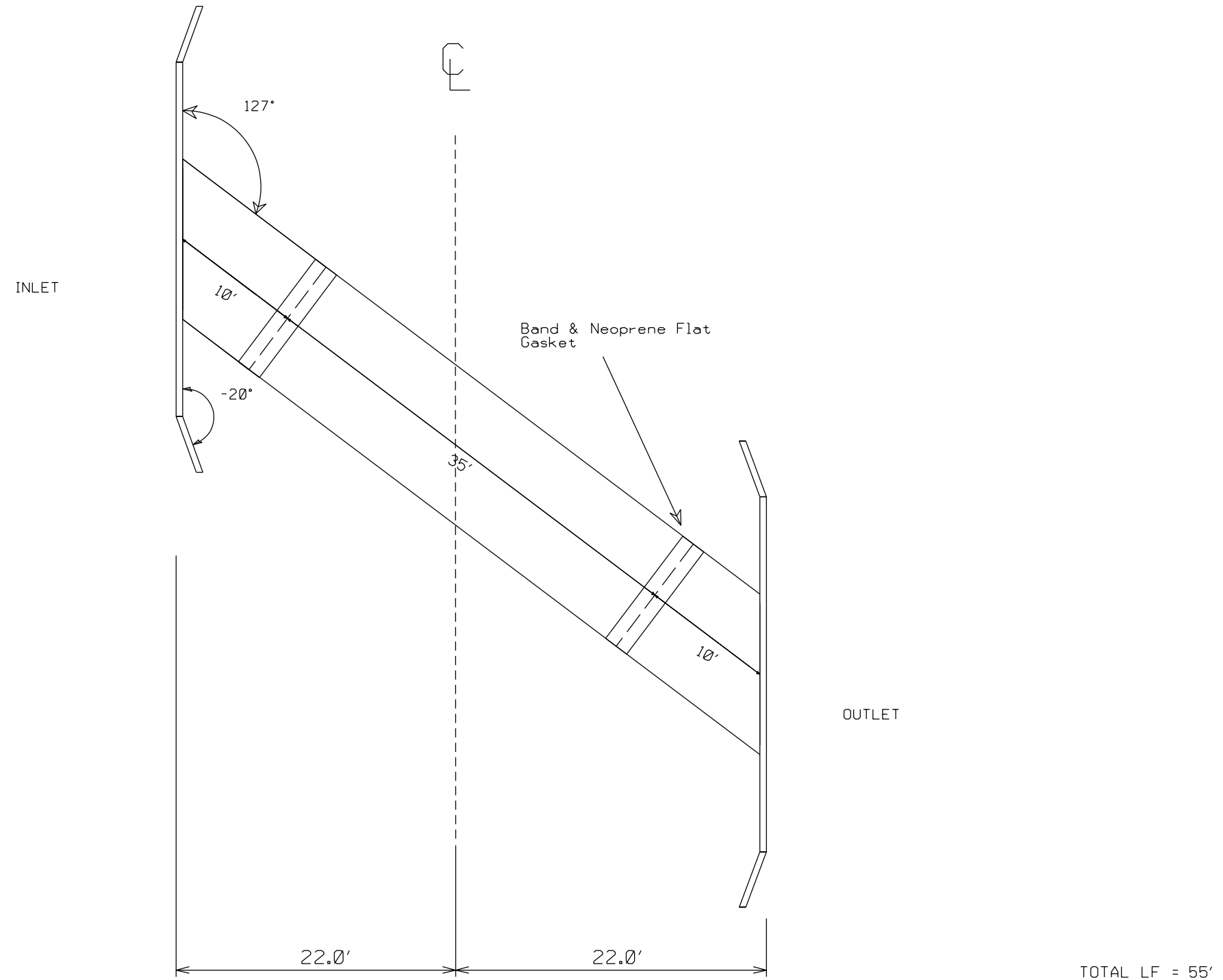
COUNTY:	ROBESON
LOCATION:	SR 2513, SITE #2
EXISTING:	1 = 60" CMP
PROPOSED:	1- 117"X79" CMP W/HWs



LAYOUT FOR FIELD INSTALLATION

SCALE - 1" = 10'

PROFILE LAYOUT



* REFERENCE ONLY -
Tieback and Wellbeam
Locations to be
determined in
Engineered Design

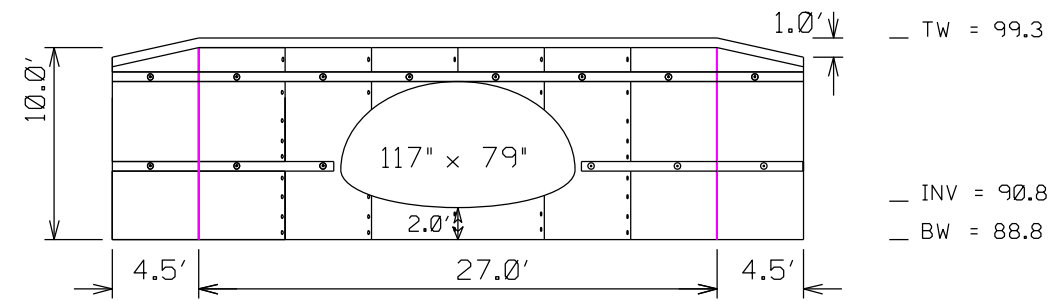
COUNTY:	ROBESON
LOCATION:	SR 2513, SITE #2
EXISTING:	1 - 60" CMP
PROPOSED:	1- 117"X79" CMP W/HWs



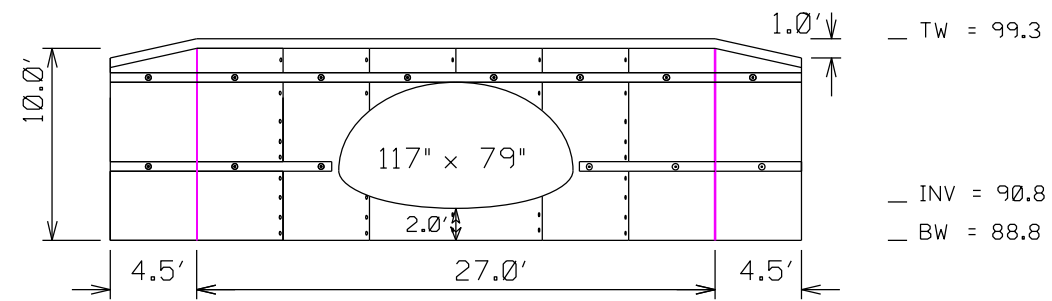
LAYOUT FOR FIELD INSTALLATION

SCALE - 1" = 10'

INLET HEADWALL



OUTLET HEADWALL



* REFERENCE ONLY -
Tieback and Wellbeam
Locations to be
determined in
Engineered Design



DIVISION 6 BRIDGE MAINTENANCE

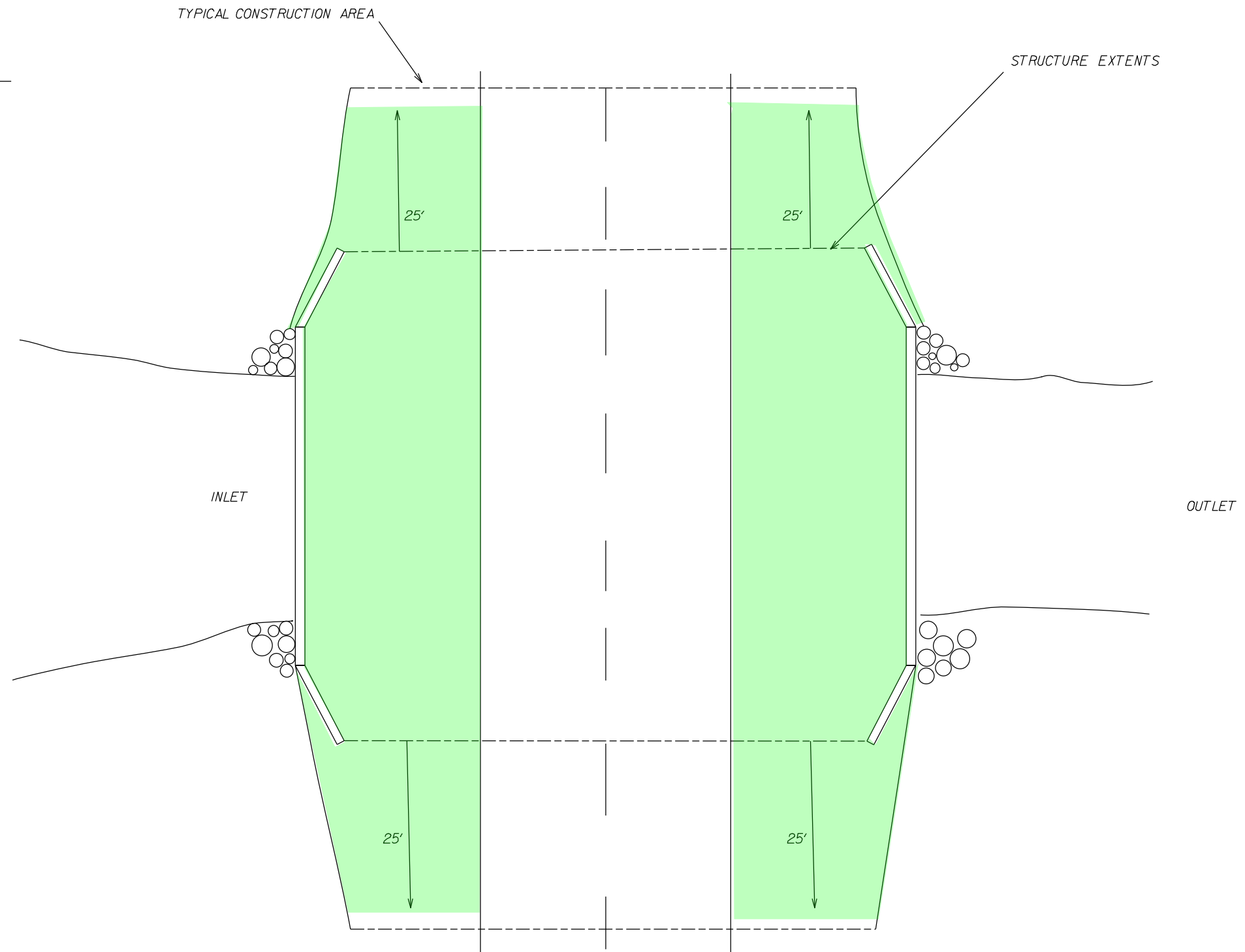
TYPICAL DRAWING SODDING

GENERAL NOTES

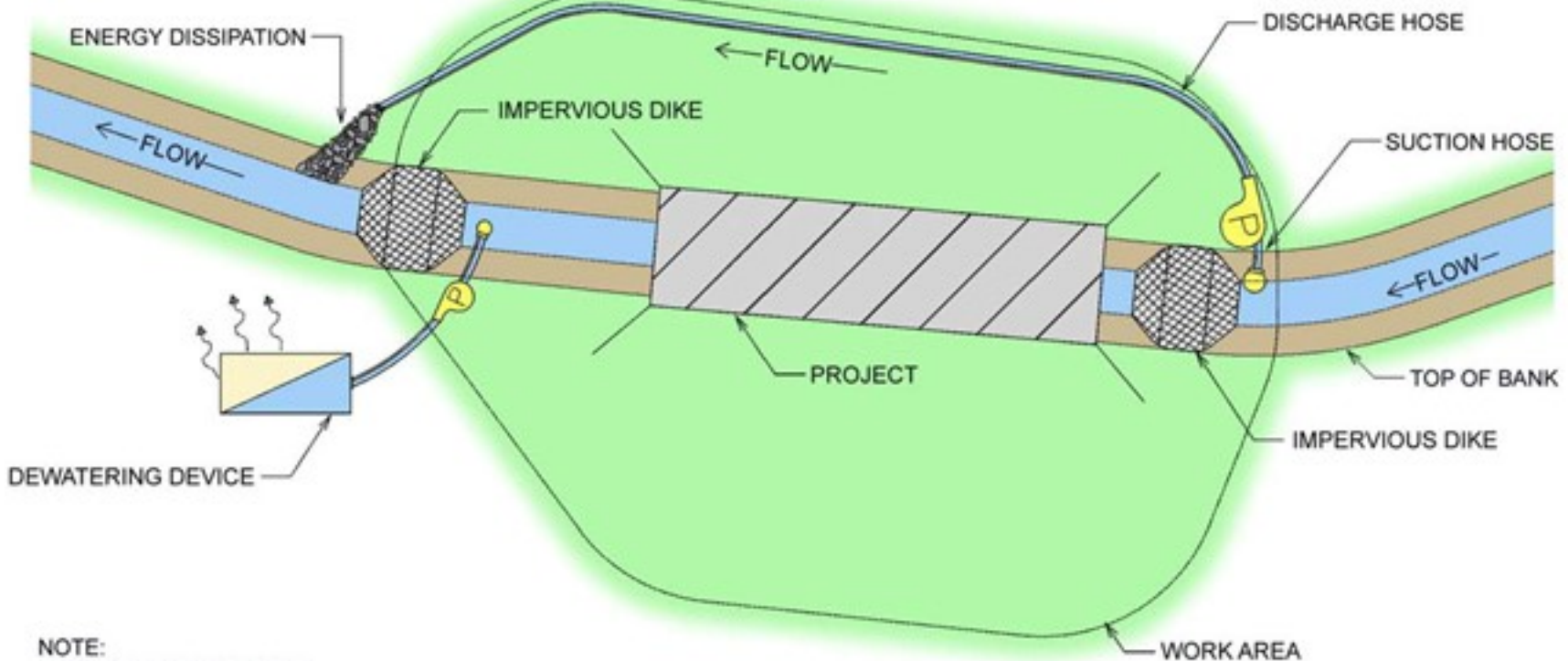
Sod shall be placed on the shoulders within construction limits of Pipe/Structure replacement. Sod shall be placed from Edge of pavement to the top of headwall, Rip Rap or Shoulder point on the Inlet & Outlet.

Sod placement shall extend 25' from the structure's edge ahead and back.

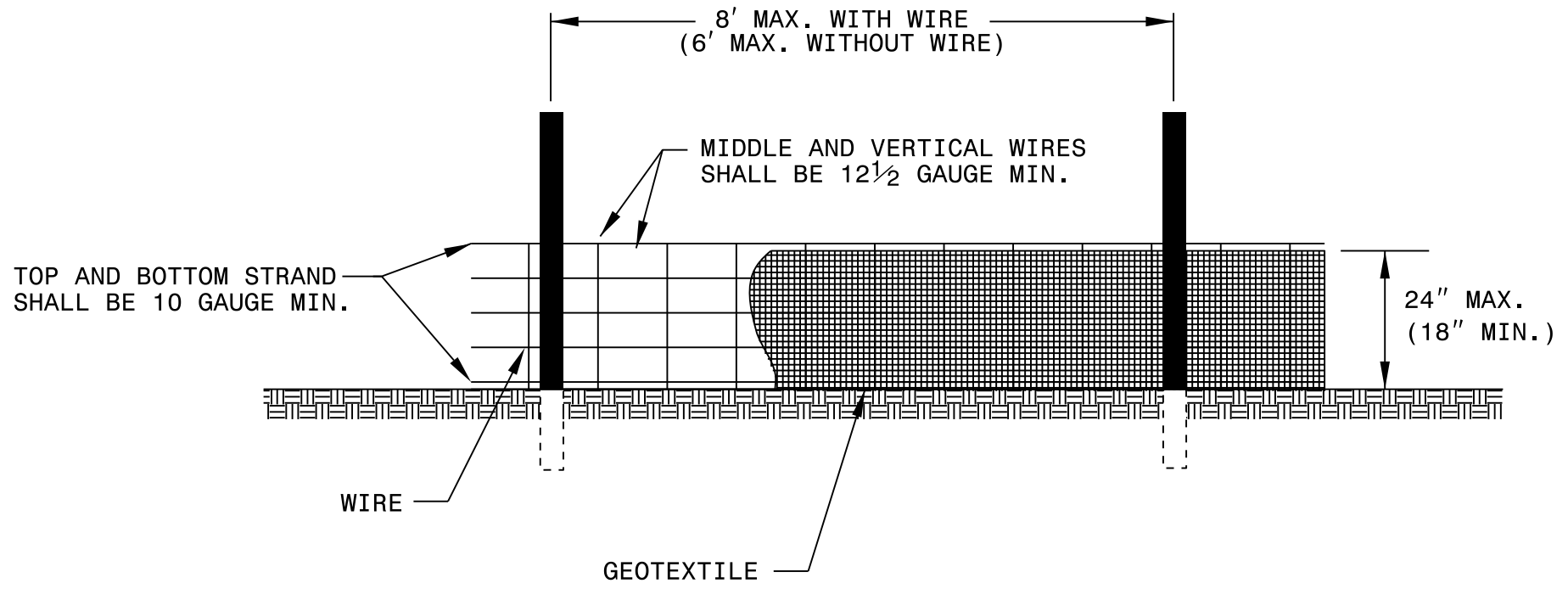
- * All other disturbed areas shall be seeded and mulched per Contract & Standard Specifications.
- * Matting may be used in lieu of Mulch and Tack.



MANAGING THE WATERCOURSE: BYPASS PUMPING



NOTE:
ENSURE TO ANCHOR ALL
PUMPS AND PIPES SECURELY.



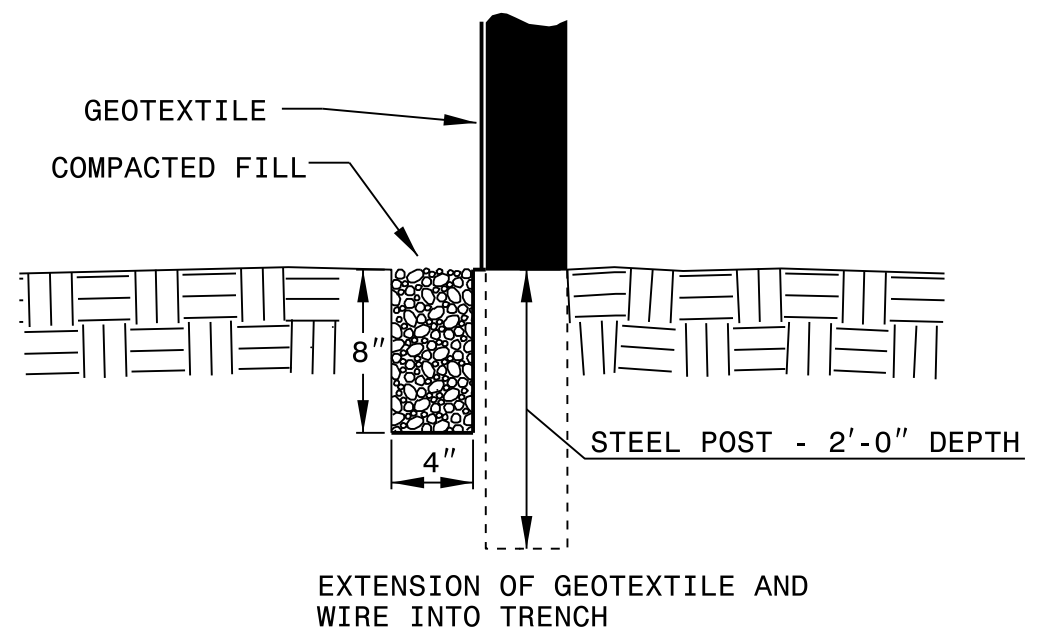
NOTES

USE GEOTEXTILE A MINIMUM OF 36" IN WIDTH AND FASTEN ADEQUATELY TO THE POSTS AND WIRE AS DIRECTED.

USE WIRE A MINIMUM OF 32" IN WIDTH AND WITH A MINIMUM OF 5 LINE WIRES WITH 12" VERTICAL SPACING.

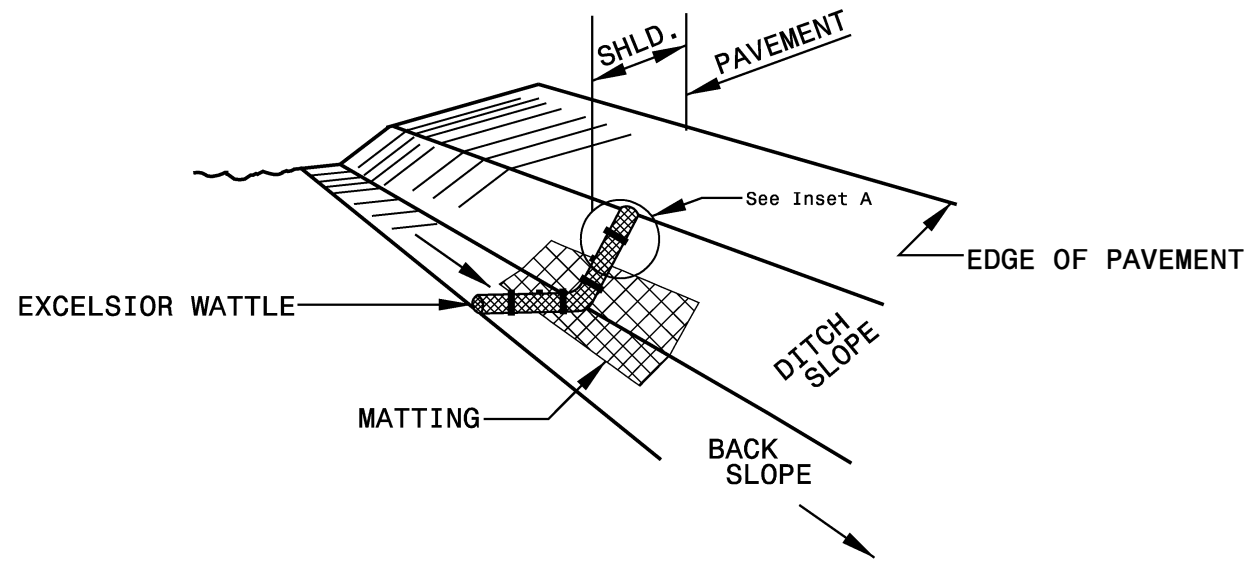
PROVIDE 5'-0" STEEL POST OF THE SELF-FASTENER ANGLE STEEL TYPE.

FOR MECHANICAL SLICING METHOD INSTALLATION, GEOTEXTILE SHALL BE A MAXIMUM OF 18" ABOVE GROUND SURFACE.

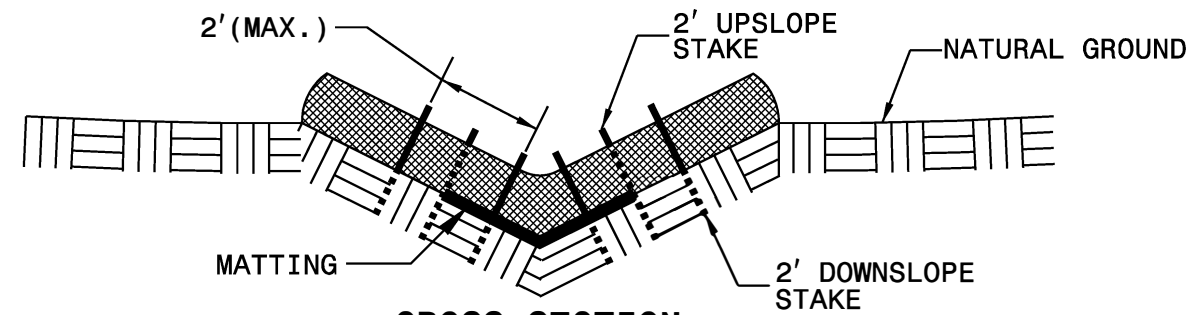


PROJECT REFERENCE NO.	SHEET NO.
RW SHEET NO.	
ROADWAY DESIGN ENGINEER	HYDRAULICS ENGINEER

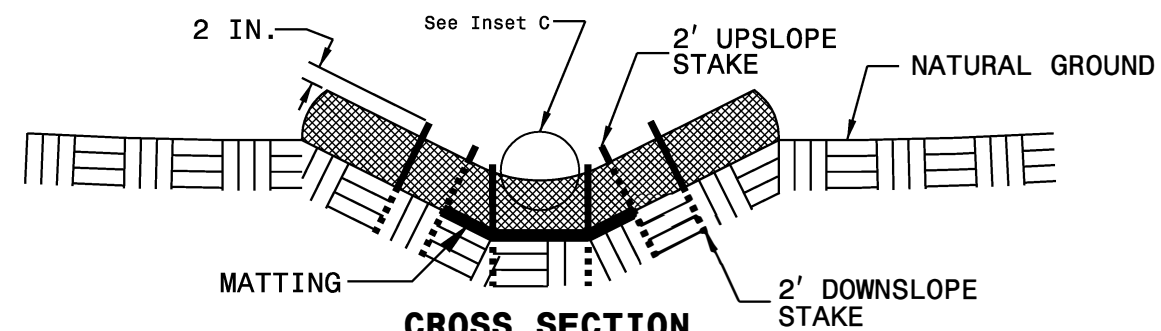
WATTLE WITH POLYACRYLAMIDE DETAIL



ISOMETRIC VIEW



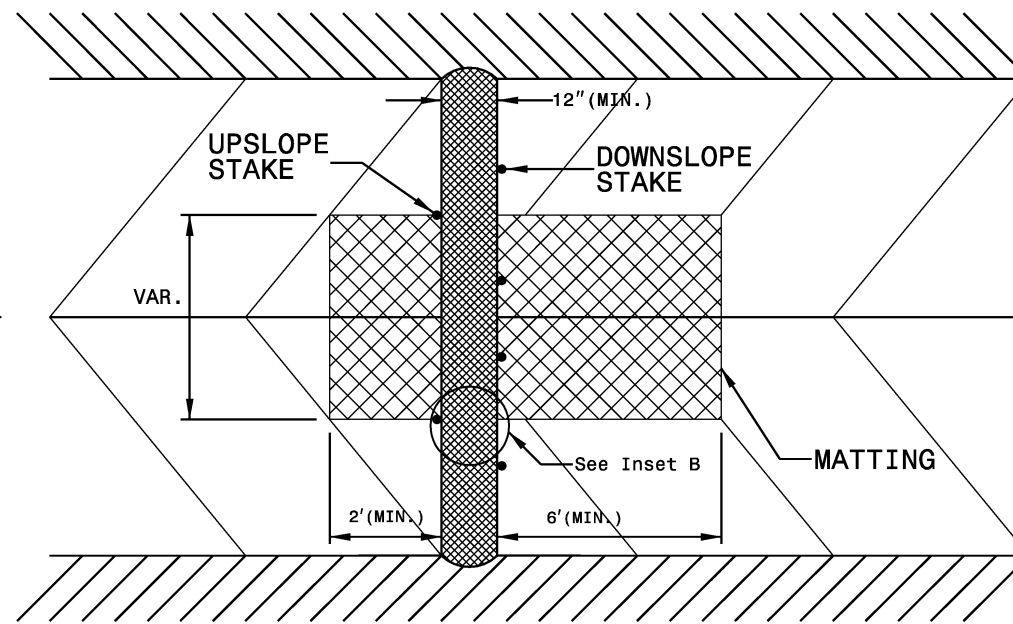
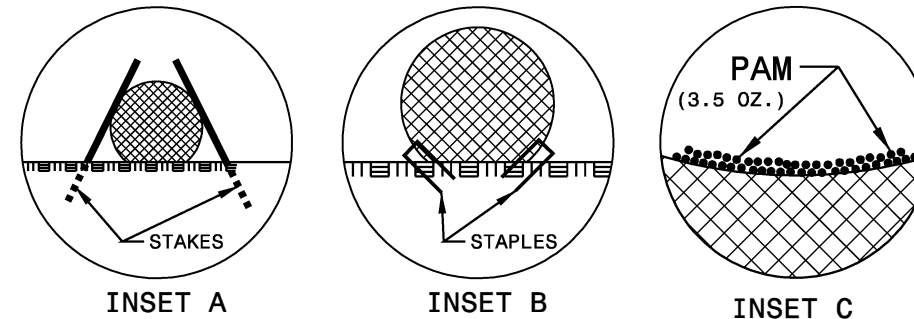
CROSS SECTION VEE DITCH



CROSS SECTION TRAPEZOIDAL DITCH

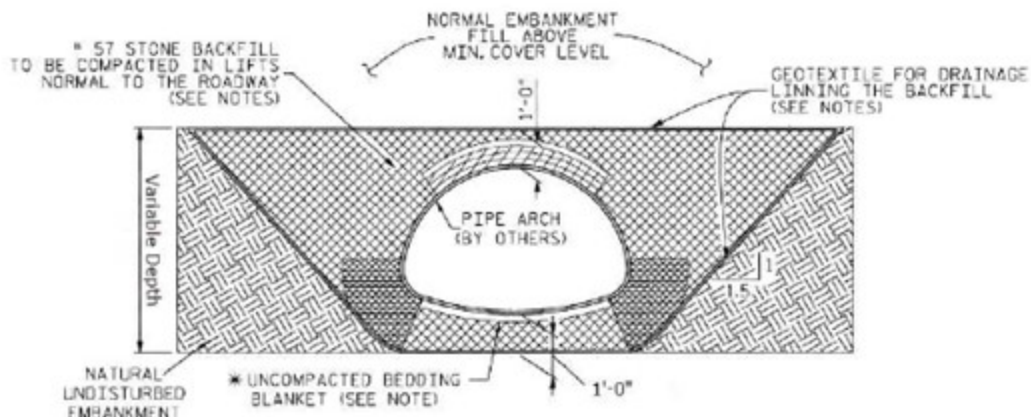
NOTES:

- USE MINIMUM 12 IN. DIAMETER EXCELSIOR WATTLE.
- USE 2 FT. WOODEN STAKES WITH A 2 IN. BY 2 IN. CROSS SECTION.
- INSTALL A MINIMUM OF 2 UPSLOPE STAKES AND 4 DOWNSLOPE STAKES AT AN ANGLE TO WEDGE WATTLE TO BOTTOM OF DITCH.
- PROVIDE STAPLES MADE OF 0.125 IN. DIAMETER STEEL WIRE FORMED INTO A U SHAPE NOT LESS THAN 12" IN LENGTH.
- INSTALL STAPLES APPROXIMATELY EVERY 1 LINEAR FOOT ON BOTH SIDES OF WATTLE AND AT EACH END TO SECURE IT TO THE SOIL.
- INSTALL MATTING IN ACCORDANCE WITH SECTION 1631 OF THE STANDARD SPECIFICATIONS.
- INITIALLY APPLY 3.5 OUNCES OF ANIONIC OR NEUTRALLY CHARGED POLYACRYLAMIDE (PAM) OVER WATTLE WHERE WATER WILL FLOW AND AFTER EVERY RAINFALL EVENT THAT IS EQUAL TO OR EXCEEDS 0.25 IN.



TOP VIEW

TYPICAL BACKFILL SECTION



 CRITICAL BACKFILL ZONE, PRESSURE ON SOIL GREATEST HERE.

 INITIAL LIFTS OVER CROWN OF STRUCTURE AS INDICATED BY SHADED AREA TO BE COMPACTED TO REQUIRED DENSITY WITH HAND OPERATED EQUIPMENT

 * # 57 STONE BACKFILL LIMITS.

NOTES:

ALL BACKFILL TO BE PLACED IN A BALANCED FASHION IN THIN LIFTS (6"-8" LOOSE TYPICALLY) AND COMPACTED TO 90 PERCENT DENSITY PER AASHTO T-180.

GEOTEXTILE FOR DRAINAGE IN FOUNDATION BEDDING AND BACKFILL IS INCIDENTAL TO COST OF PIPE ARCH.

COMPLETE AND REGULAR MONITORING OF THE CSP ARCH SHAPE IS NECESSARY DURING ALL BACKFILLING OF THE STRUCTURE.

PREVENT EXCESSIVE DISTORTION OF SHAPE AS NECESSARY BY VARYING COMPACTION METHODS AND EQUIPMENT.

* SHAPED BED FOR A MINIMUM WIDTH OF $SPAN/2$. MINIMUM BEDDING THICKNESS IS TWICE THE CORRUGATION DEPTH.

EMBANKMENT SLOPE TO BE 1.5:1 MINIMUM SUCH THAT A STABLE EMBANKMENT CAPABLE OF RESISTING SIDE PRESSURES FROM CSP PIPE-ARCH SHAPE WILL BE MAINTAINED THROUGHOUT THE LIFE OF INSTALLATION.

TYPICAL BACKFILL SECTION ALONG PIPE