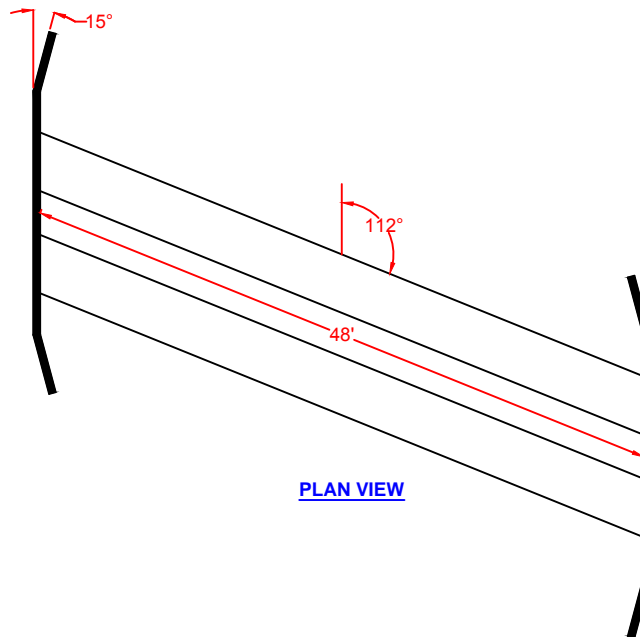


END VIEW-INLET & OUTLET HEADWALL



PLAN VIEW

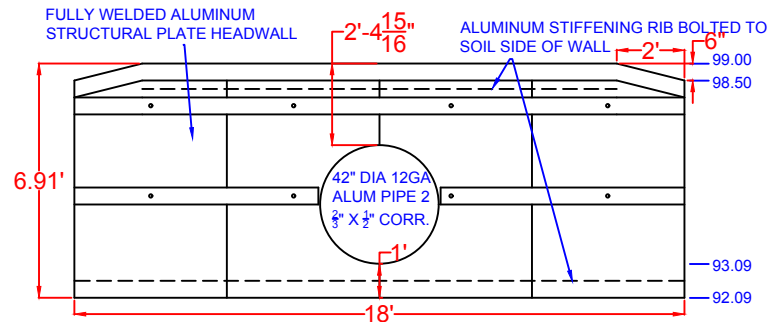
DESCRIPTION

SR-2239
 CENTERVILLE CHURCH RD
 SITE #212
 ROBESON CO

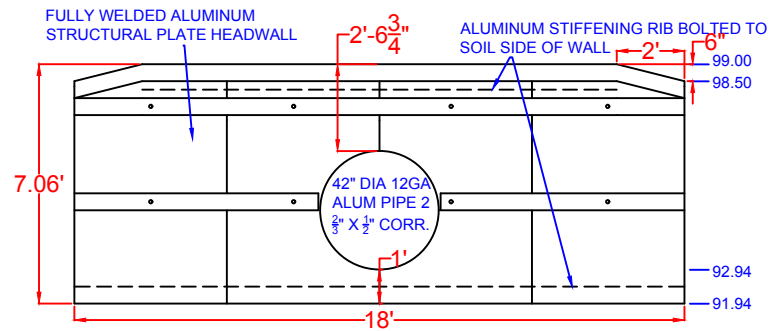
DATE:
 Feb 15, 2018

SHEET

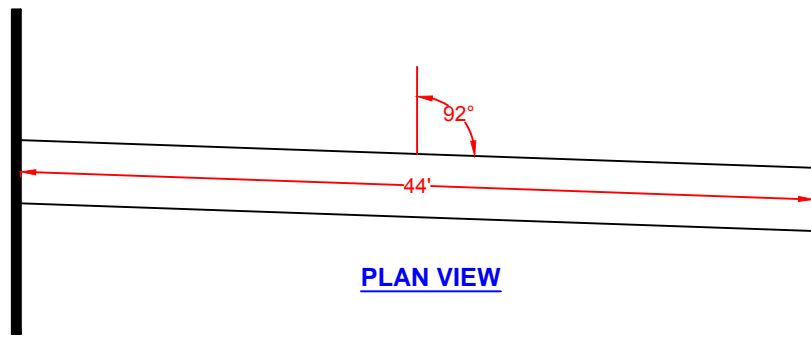
NOT TO SCALE



END VIEW- INLET HEADWALL



END VIEW- OUTLET HEADWALL



PLAN VIEW

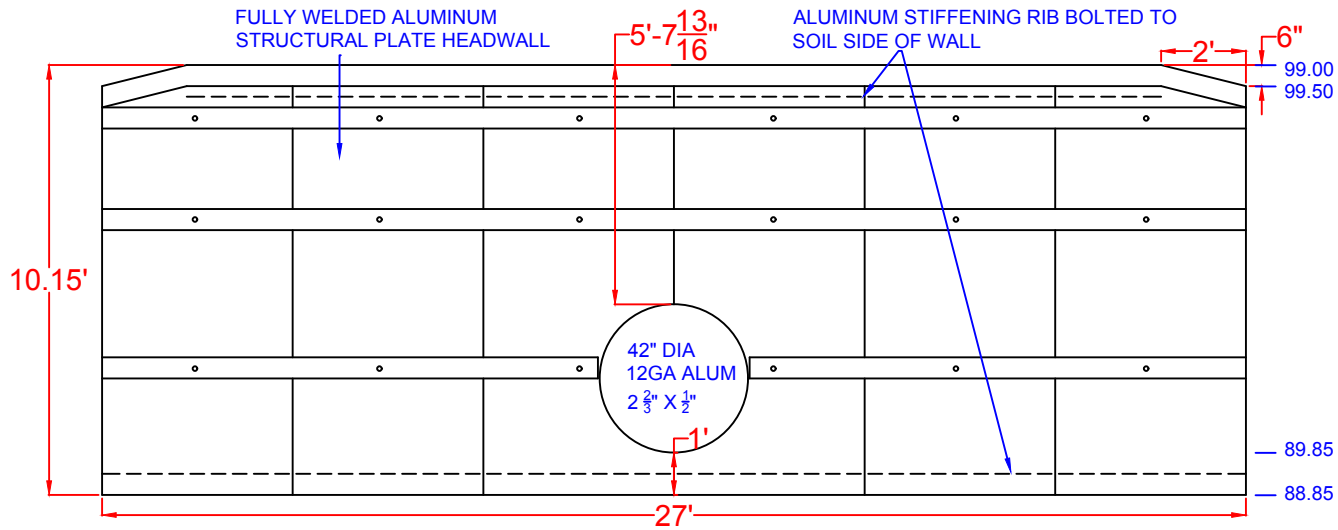
DESCRIPTION

SR-2413 KENNY BIGGS RD
 SITE #227
 ROBESON CO

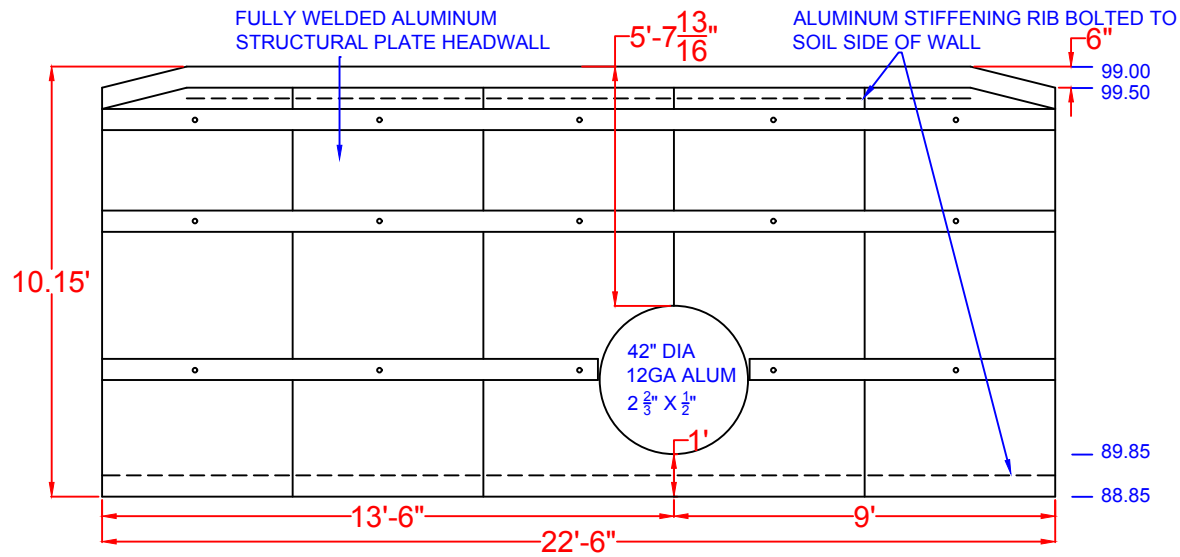
DATE:
 Feb 15, 2018

SHEET

NOT TO SCALE

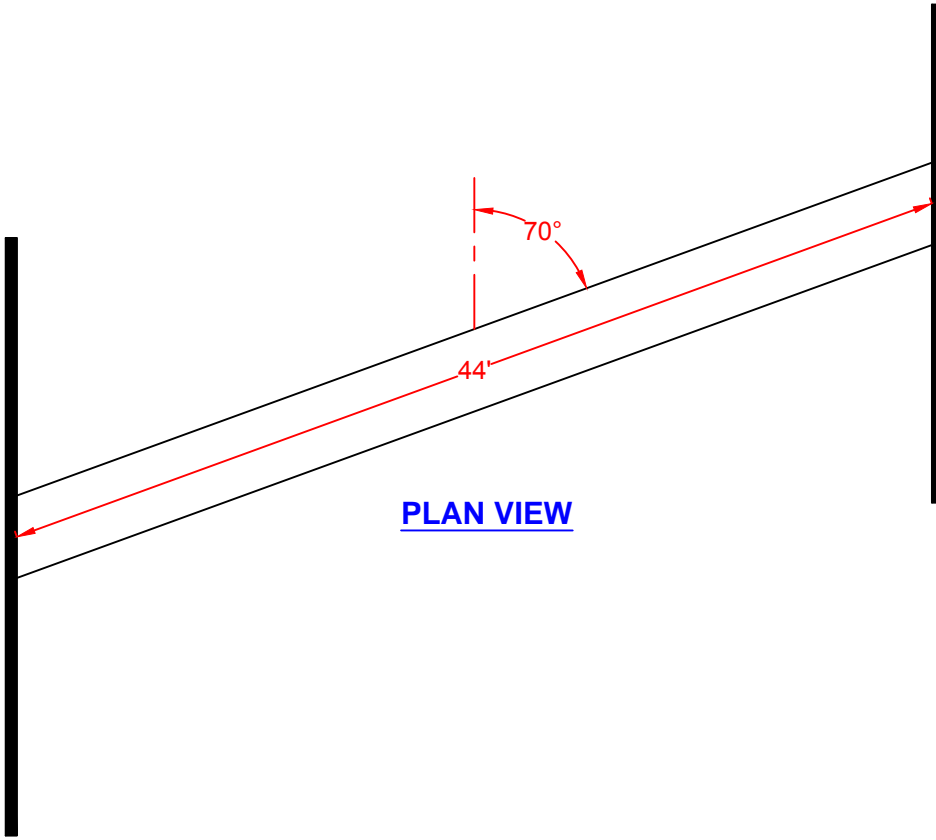


END VIEW- INLET HEADWALL



END VIEW- OUTLET HEADWALL

DESCRIPTION	
SR-2466 MITCHELL RD SITE #221 ROBESON CO	
DATE: FEB 15, 2018	SHEET
NOT TO SCALE	



PLAN VIEW

DESCRIPTION

SR-2466
MITCHELL RD SITE # 221
ROBESON CO

FIRM:

DATE:
FEB 15, 2018

SHEET

NOT TO SCALE