



STATE OF NORTH CAROLINA
DEPARTMENT OF TRANSPORTATION

ROY COOPER
GOVERNOR

J. ERIC BOYETTE
SECRETARY

December 28, 2022

ADDENDUM #1

MEMO TO: Plan Holders

FROM: Jennifer A. Sour
Division Proposal Engineer

DocuSigned by:
Jennifer A. Sour
B213233052CA46B...

CONTRACT ID: DG00605
WBS ELEMENT NO.: 17BP.C.18
COUNTY: ALAMANCE
LOCATION: CULVERT IMPROVEMENTS ON SR 2158 (DARRELL
NEWTON ROAD)
TYPE OF WORK: GRADING, DRAINAGE AND CULVERT

To whom it may concern:

I have been advised that in lieu of the 72" C.S. Pipe Type B, the contractor may use a 72", 8 gage, Type 2 aluminized steel pipe. I have deleted the original pay item (line 7) from the ebx file and created a new pay item (line 330 – Generic Drainage Item). Please replace sheets T-1 thru T-5 with the attached sheets.

I have also added a general detail for the internal band.

You will also need to update the ebx file and replace it with DG00605.001x

If you have any questions, please feel free to contact me at (336) 487-0075. Thank you.

JAS

ec: Website

Mailing Address:
NC DEPARTMENT OF TRANSPORTATION
DIVISION OF HIGHWAYS DIVISION 7
PO BOX 14996
GREENSBORO, NC 27415-4996

Telephone: (336) 487-0075
Fax: (336) 334-3637
Customer Service: 1-877-368-4968

Location:
1584 YANCEYVILLE STREET
GREENSBORO, NC 27405

Website: ncdot.gov

Line #	Item Number	Sec #	Description	Quantity	Unit Cost	Amount
ROADWAY ITEMS						
0001	0000100000-N	800	MOBILIZATION	Lump Sum	L.S.	
0002	0043000000-N	226	GRADING	Lump Sum	L.S.	
0003	0223000000-E	275	ROCK PLATING	350 SY		
0004	0318000000-E	300	FOUNDATION CONDITIONING MATERIAL, MINOR STRUCTURES	5 TON		
0005	0320000000-E	300	FOUNDATION CONDITIONING GEOTEXTILE	15 SY		
0006	0448700000-E	310	42" RC PIPE CULVERTS, CLASS IV	12 LF		
0008	0973100000-E	330	*** WELDED STEEL PIPE, ***** THICK, GRADE B IN SOIL (72", 1.00")	92 LF		
0009	0986000000-E	SP	GENERIC PIPE ITEM 60" CENTRIFUGALLY CAST FIBERGLASS REINFORCED POLYMER MORTAR PIPE LINER	88 LF		
0010	0992000000-E	SP	GENERIC PIPE ITEM CORRUGATED STEEL CONNECTING BAND	1 EA		
0011	0995000000-E	340	PIPE REMOVAL	28 LF		
0012	1077000000-E	SP	#57 STONE	640 TON		
0013	1491000000-E	610	ASPHALT CONC BASE COURSE, TYPE B25.0C	60 TON		
0014	1519000000-E	610	ASPHALT CONC SURFACE COURSE, TYPE S9.5B	40 TON		
0015	1575000000-E	620	ASPHALT BINDER FOR PLANT MIX	10 TON		
0016	2253000000-E	840	PIPE COLLARS	0.89 CY		
0017	3030000000-E	862	STEEL BEAM GUARDRAIL	175 LF		

Line #	Item Number	Sec #	Description	Quantity	Unit Cost	Amount
0018	3150000000-N	862	ADDITIONAL GUARDRAIL POSTS	5 EA		
0019	3195000000-N	862	GUARDRAIL END UNITS, TYPE AT-1	1 EA		
0020	3288000000-N	SP	GUARDRAIL END UNITS, TYPE TL-2	1 EA		
0021	3628000000-E	876	RIP RAP, CLASS I	170 TON		
0022	3635000000-E	876	RIP RAP, CLASS II	40 TON		
0023	3656000000-E	876	GEOTEXTILE FOR DRAINAGE	700 SY		
0024	4400000000-E	1110	WORK ZONE SIGNS (STATIONARY)	489 SF		
0025	4405000000-E	1110	WORK ZONE SIGNS (PORTABLE)	96 SF		
0026	4410000000-E	1110	WORK ZONE SIGNS (BARRICADE MOUNTED)	89 SF		
0027	4422000000-N	1120	PORTABLE CHANGEABLE MESSAGE SIGN (SHORT TERM)	42 DAY		
0028	4430000000-N	1130	DRUMS	20 EA		
0029	4445000000-E	1145	BARRICADES (TYPE III)	48 LF		
0030	4455000000-N	1150	FLAGGER	20 DAY		
0031	4510000000-N	1190	LAW ENFORCEMENT	28 HR		
0032	4685000000-E	1205	THERMOPLASTIC PAVEMENT MARKING LINES (4", 90 MILS)	143 LF		
0033	4835000000-E	1205	PAINT PAVEMENT MARKING LINES (24")	12 LF		
0034	4900000000-N	1251	PERMANENT RAISED PAVEMENT MARKERS	2 EA		

Dec 28, 2022 2:42 PM

ITEMIZED PROPOSAL FOR CONTRACT NO. DG00605

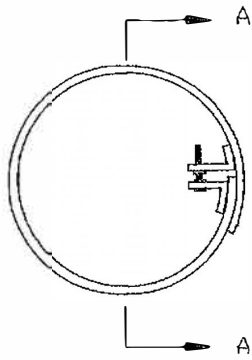
Page 3 of 5

Line #	Item Number	Sec #	Description	Quantity	Unit Cost	Amount
0035	5325800000-E	1510	8" WATER LINE	130 LF		
0036	5329000000-E	1510	DUCTILE IRON WATER PIPE FITTINGS	750 LB		
0037	5546000000-E	1515	8" VALVE	1 EA		
0038	5801000000-E	1530	ABANDON 8" UTILITY PIPE	130 LF		
0039	6000000000-E	1605	TEMPORARY SILT FENCE	455 LF		
0040	6006000000-E	1610	STONE FOR EROSION CONTROL, CLASS A	95 TON		
0041	6009000000-E	1610	STONE FOR EROSION CONTROL, CLASS B	40 TON		
0042	6012000000-E	1610	SEDIMENT CONTROL STONE	100 TON		
0043	6015000000-E	1615	TEMPORARY MULCHING	0.5 ACR		
0044	6018000000-E	1620	SEED FOR TEMPORARY SEEDING	100 LB		
0045	6021000000-E	1620	FERTILIZER FOR TEMPORARY SEEDING	0.5 TON		
0046	6024000000-E	1622	TEMPORARY SLOPE DRAINS	200 LF		
0047	6029000000-E	SP	SAFETY FENCE	980 LF		
0048	6030000000-E	1630	SILT EXCAVATION	40 CY		
0049	6036000000-E	1631	MATTING FOR EROSION CONTROL	500 SY		
0050	6037000000-E	SP	COIR FIBER MAT	100 SY		
0051	6042000000-E	1632	1/4" HARDWARE CLOTH	50 LF		

Line #	Item Number	Sec #	Description	Quantity	Unit Cost	Amount
0052	6045000000-E	SP	*** TEMPORARY PIPE (48")	180 LF		
0053	6070000000-N	1639	SPECIAL STILLING BASINS	4 EA		
0054	6071020000-E	SP	POLYACRYLAMIDE (PAM)	10 LB		
0055	6084000000-E	1660	SEEDING & MULCHING	0.5 ACR		
0056	6087000000-E	1660	MOWING	0.5 ACR		
0057	6090000000-E	1661	SEED FOR REPAIR SEEDING	50 LB		
0058	6093000000-E	1661	FERTILIZER FOR REPAIR SEEDING	0.25 TON		
0059	6096000000-E	1662	SEED FOR SUPPLEMENTAL SEEDING	50 LB		
0060	6108000000-E	1665	FERTILIZER TOPDRESSING	0.25 TON		
0061	6111000000-E	SP	IMPERVIOUS DIKE	55 LF		
0062	6114500000-N	1667	SPECIALIZED HAND MOWING	10 MHR		
0063	6117000000-N	SP	RESPONSE FOR EROSION CONTROL	13 EA		
0064	6117500000-N	SP	CONCRETE WASHOUT STRUCTURE	3 EA		
0065	6123000000-E	1670	REFORESTATION	0.1 ACR		
0330	2484000000-E	SP	GENERIC DRAINAGE ITEM 72", 8 GAGE, TYPE 2 ALUMINIZED STEEL PIPE	20 LF		
CULVERT ITEMS						
0066	8140000000-E	416	CHANNEL EXCAVATION	130 CY		

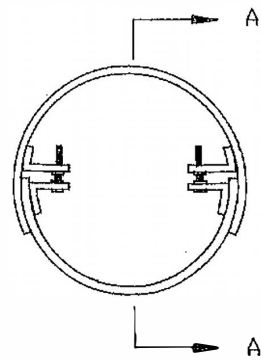
Line #	Item Number	Sec #	Description	Quantity	Unit Cost	Amount
--------	-------------	-------	-------------	----------	-----------	--------

1442/Dec28/Q7623.49/D282924720000/E66 Total Amount Of Bid For Entire Project :



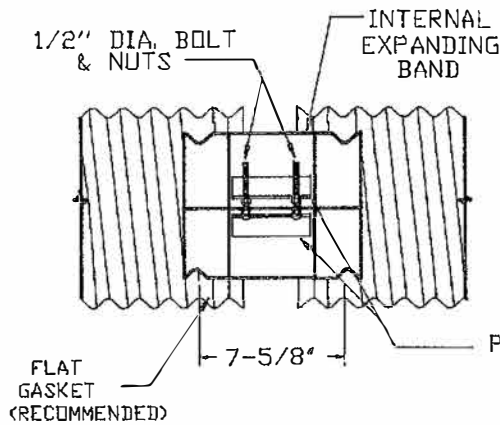
ONE-PIECE BAND

PIPE DIAMETERS 30"-48"
NOT TO SCALE



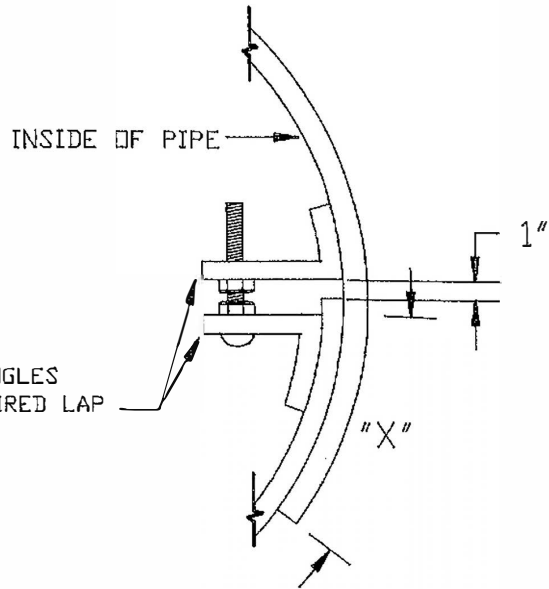
TWO-PIECE BAND

PIPE DIAMETERS 48"-72"
NOT TO SCALE



H-10 BAND SHOWN

SECTION A - A



DETAIL AT BAND ANGLES

GENERAL NOTES.

1. DESIGNED FOR LIPS UP PIPE ENDS. ANY STANDARD BAND CAN BE USED FOR AN INTERNAL EXPANDING BAND. THEY ALL MAKE A ROUGH FIT SO A FLAT GASKET IS RECOMMENDED. EXPANDING BANDS ARE FABRICATED FROM STANDARD STOCK BLANKS AND BAND ANGLES. CORRUGATION SPACING IS THE SAME AS STANDARD BANDS.
2. DISTANCE "X" FOR THE REQUIRED LAP TO BE DETERMINED ON THE BASIS OF INDIVIDUAL PROJECT REQUIREMENTS.
3. ALL FABRICATION IS BASED ON STANDARD MANUFACTURING TOLERANCES.
4. THE DETAILS PRESENTED ARE NOT TO SCALE AND CONCEPTUAL ONLY.

CORRUGATED METAL PIPE
 INTERNAL EXPANDING BAND