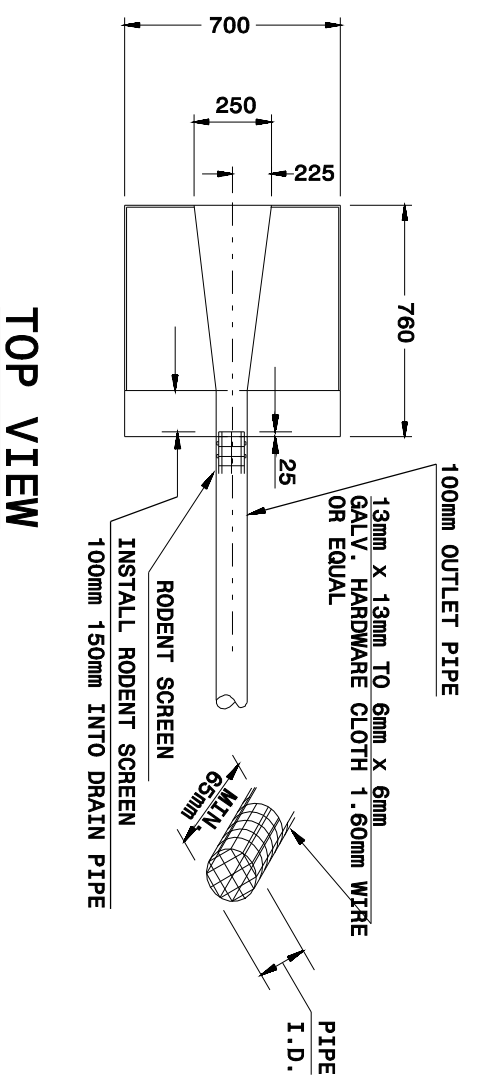
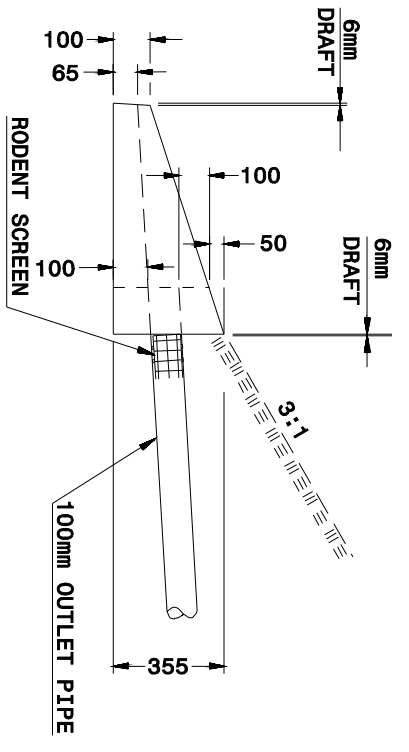


PLAN VIEW

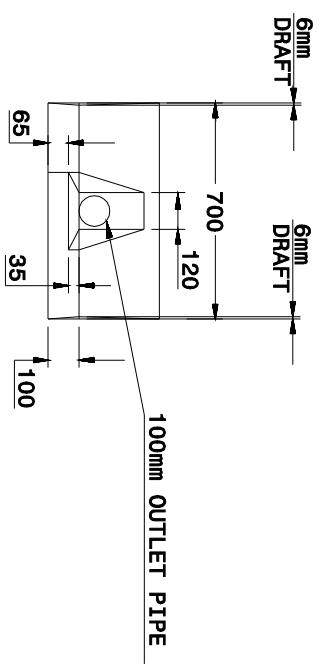


TOP VIEW

**PARTIAL DETAIL OF
RODENT SCREEN**



ELEVATION VIEW



END ELEVATION VIEW

Note:
This drawing is dimensioned in millimeters unless otherwise depicted within the drawing.

THE CONCRETE PAD CONSISTS OF 0.105mm³ OF CLASS "B" CONCRETE.