



STATE OF NORTH CAROLINA
DEPARTMENT OF TRANSPORTATION

ROY COOPER
GOVERNOR

J. ERIC BOYETTE
SECRETARY

October 14, 2021

MEMORANDUM TO: Shane York
Feasibility Studies Unit

FROM: Chris McKoy
Traffic Forecasting Group

SUBJECT: Traffic Forecast for H172313
Graham County
Modernization of SR 1156 (Knight Street) from US 129 to SR
1117 (Moose Branch Road).

Please find attached the 2021/2045 Traffic Forecast for Project H172313 in Graham County.

This forecast represents project No-Build and Build conditions. Modernization improvements are not expected to substantially affect travel demand within the project area.

Fiscal Constraint:

Outside of an MPO area travel demand forecasts assume the construction of projects listed within the State Transportation Improvement Program. This forecast is consistent with the current STIP. No other projects within the STIP affect travel demand at the project.

Development Activity:

There is no substantial current development under construction nor is any planned development expected within the vicinity of the project.

Forecast Methodology:

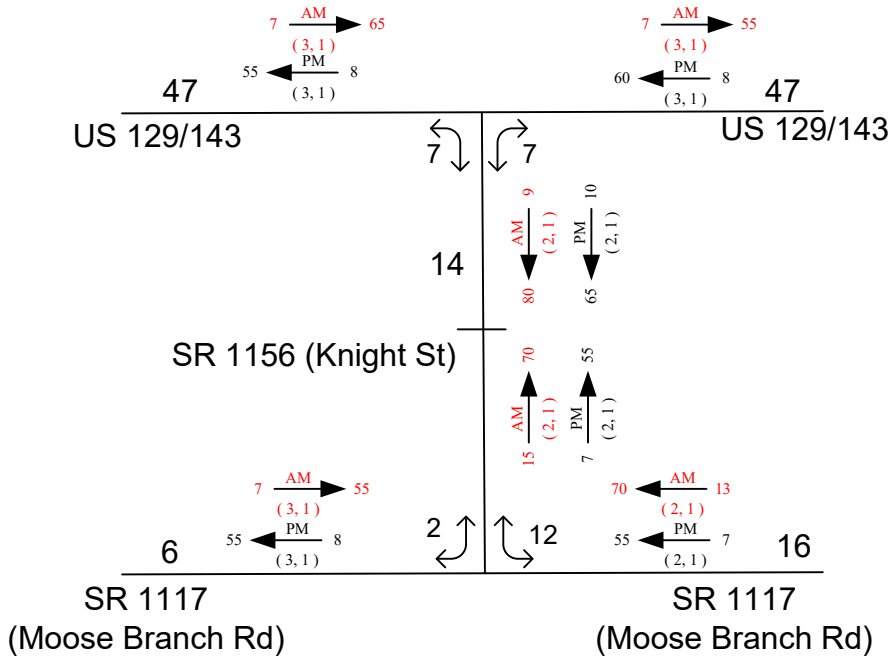
The 2021 Estimate is based upon current traffic counts and historical AADT trends.

The 2045 forecast was developed based upon historic AADT trends and population projections for Graham County prepared by the State Demographers Office. Be aware that negative population growth is projected to 2039. However, a minimal amount of traffic growth has been applied.

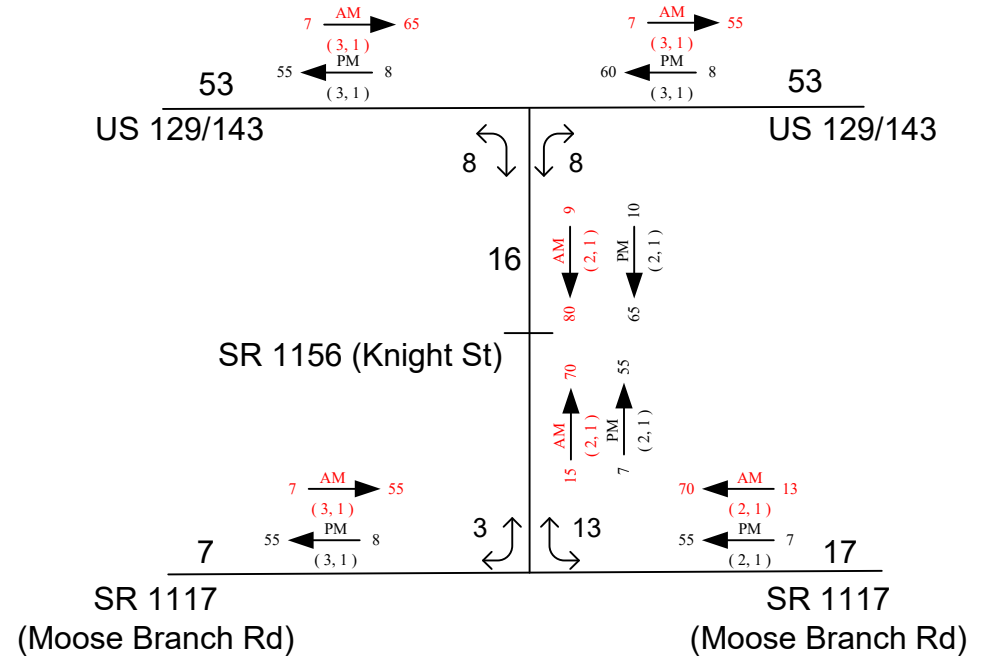
If it is determined that any of these assumptions have become inconsistent with the project and surrounding area activity, please request an updated forecast.

If we can be of any further assistance, please do not hesitate to contact me at 707-0939, email: cdmckoy@ncdot.gov.

2021



2045



Sheet 1 of 1

2021 & 2045 No Build-Build

AVERAGE ANNUAL DAILY TRAFFIC

LEGEND

$K \xrightarrow{\text{AM/PM}} D$
(d, t)

No. of Vehicles Per Day (VPD) in 100s

K Design Hour Factor(%)

1- Less than 50 VPD

PM/AM PM Peak Period
D Peak Hour

X Movement Prohibited

→ Directional Split (%)
→ Indicates Direction of D

(d,t) Duals, TT-STs (%)

SPOT#: H172313

WBS: 34263.1.1

COUNTY: Graham

DIVISION: 14

DATE: 10-14-2021

PREPARED BY: Chris McKoy

LOCATION: SR 1156

PROJECT: Modernization of SR 1156