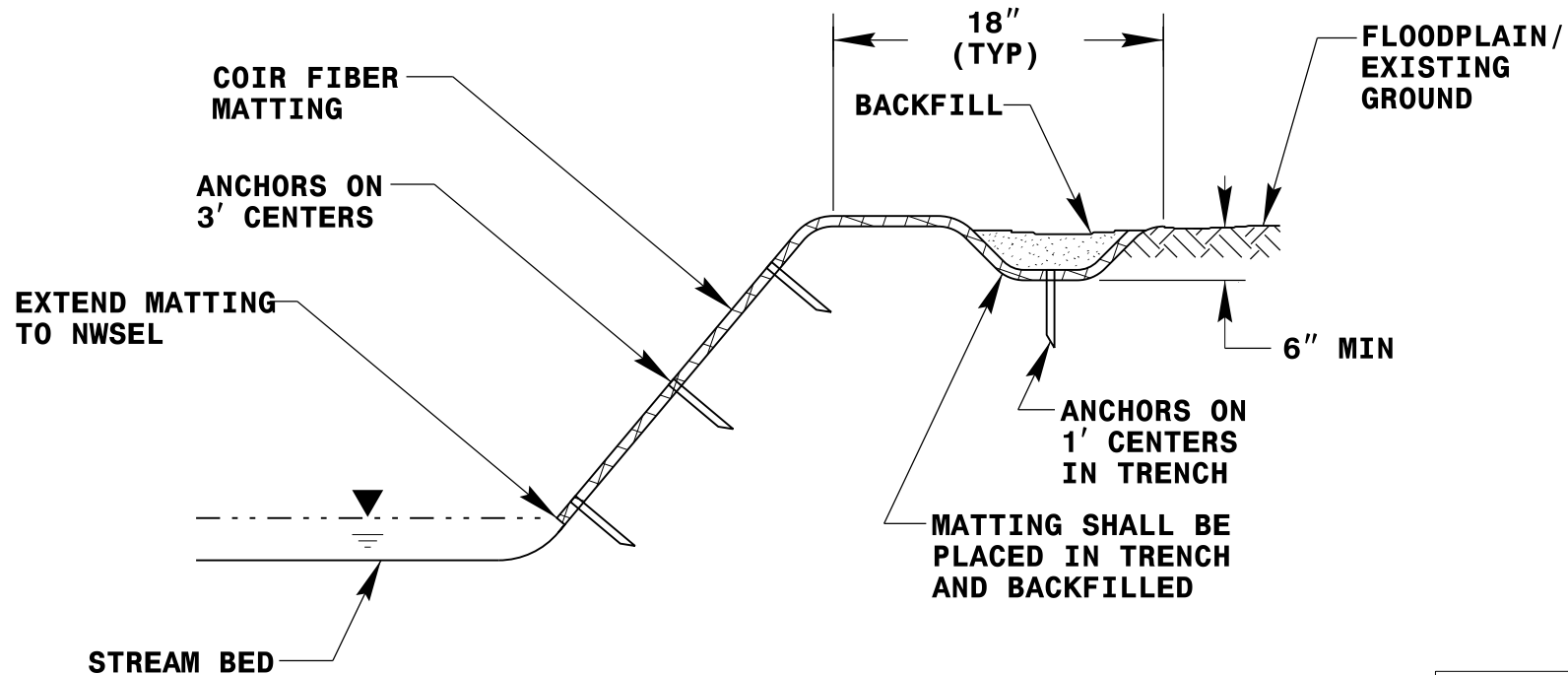
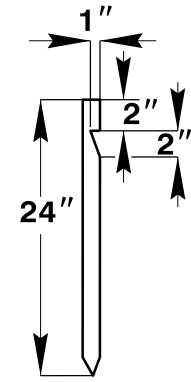


PLAN VIEW

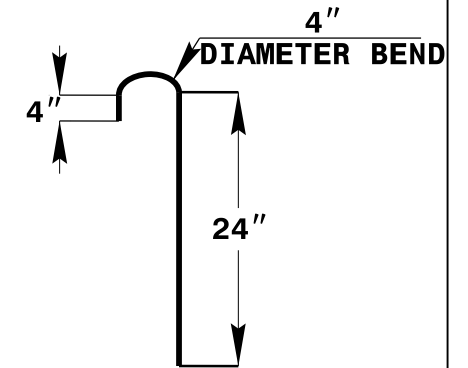


TYPICAL CROSS SECTION

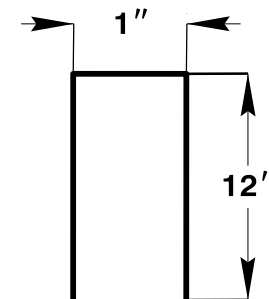
2" x 2" (nominal)
WOODEN STAKE



#4 STEEL
REINFORCEMENT BAR



1" (nominal)
STAPLE



ANCHOR OPTIONS

COIR FIBER MATTING DETAIL

NOT TO SCALE

NOTES:

1. IN AREAS TO BE MATTED, ALL SEEDING, SOIL AMENDMENTS, AND SOIL PREPARATION MUST BE COMPLETED IN ACCORDANCE WITH THE PROJECT SPECIFICATIONS PRIOR TO PLACEMENT OF COIR FIBER MATTING.
2. REBAR OR STAPLES MAY BE USED IN PLACE OF WOODEN STAKES AS DIRECTED BY THE ENGINEER.