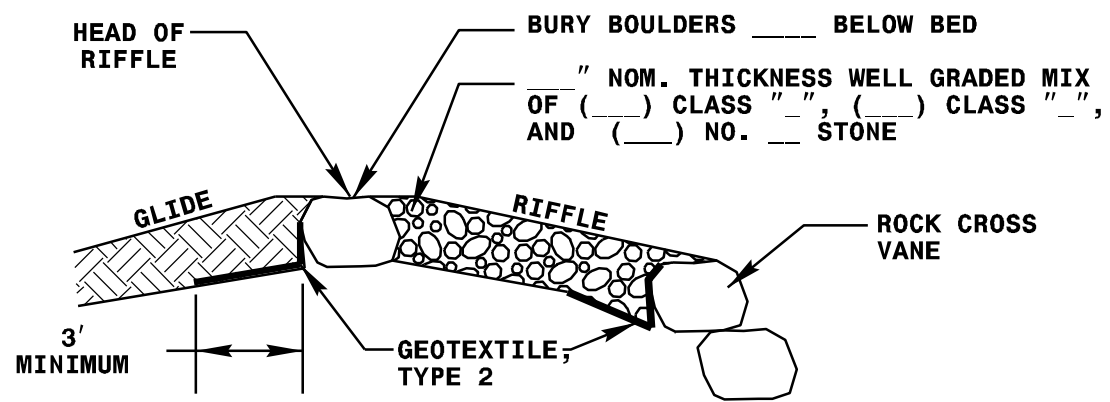
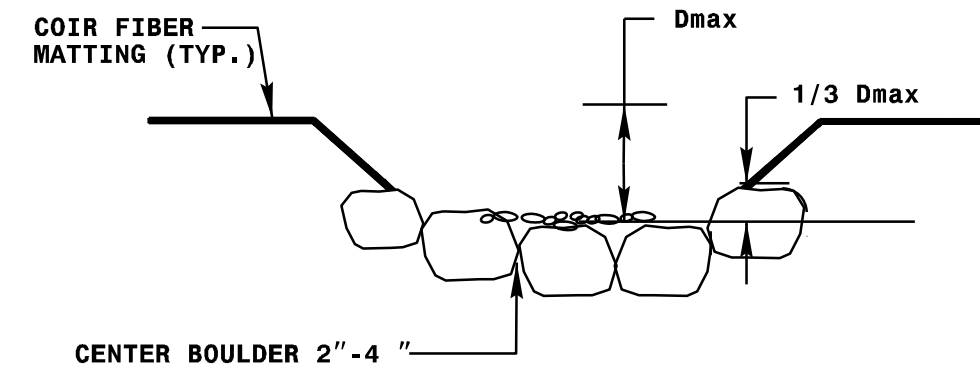


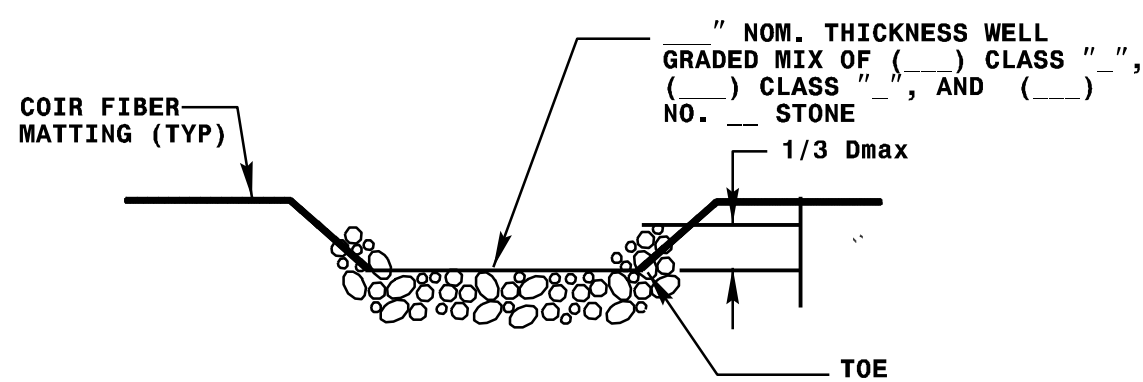
**PLAN VIEW**



**SECTION A-A**



**SECTION B-B**



**SECTION C-C**

REACH	_____
Wbkf (ft)	_____
Dmax (ft)	_____

**CONSTRUCTED RIFFLE DETAIL**

NOT TO SCALE

**NOTE:**  
 1. BOULDERS SHOULD BE NATIVE STONES OR SHOT ROCK, ANGULAR AND OBLONG, WITH AN AXIS APPROXIMATELY \_\_\_\_\_ Lx \_\_\_\_\_ Wx \_\_\_\_\_ D