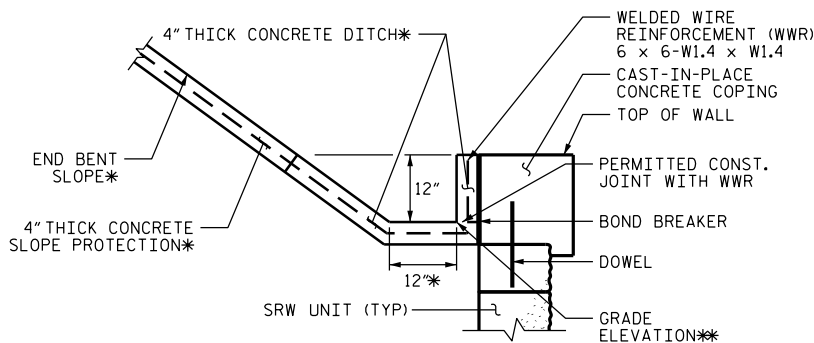
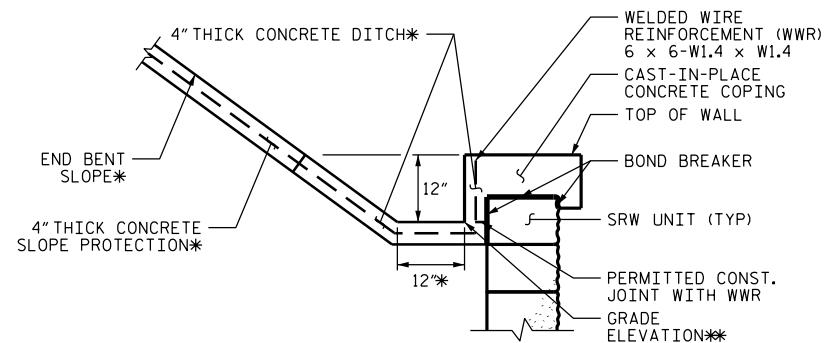
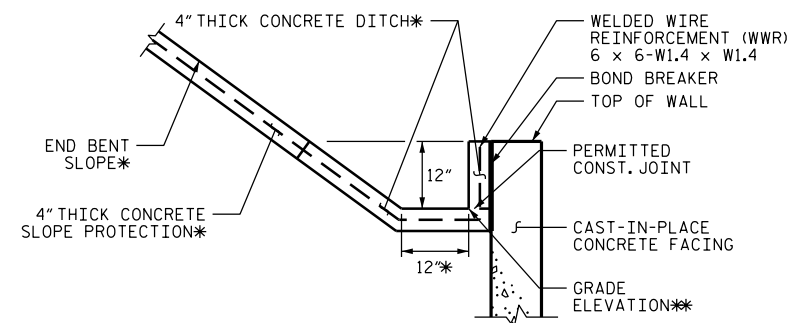


**SOLDIER PILE WALL WITH PRECAST PANELS**

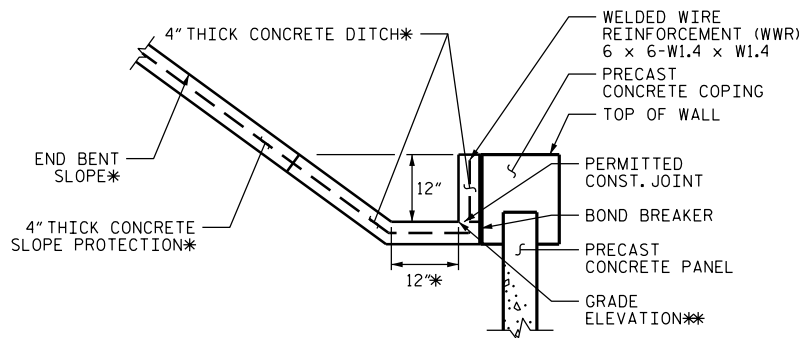
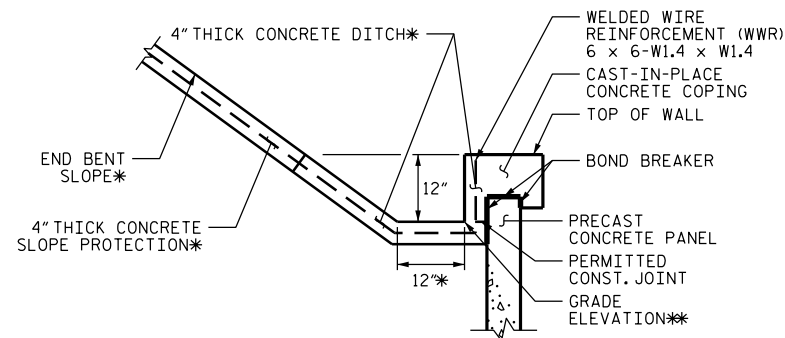


**MSE WALL WITH SEGMENTAL RETAINING WALL (SRW) UNITS**



**CONCRETE DITCH BEHIND WALL WITH CONCRETE SLOPE PROTECTION AND FACING**

\*SEE PLANS FOR CONCRETE DITCH AND END BENT SLOPE DETAILS.  
\*SEE WALL ENVELOPE FOR GRADE ELEVATIONS.



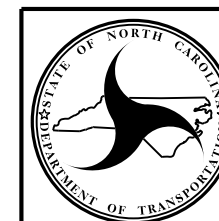
**MSE WALL WITH PRECAST PANELS**

**CONCRETE DITCH BEHIND WALL WITH CONCRETE SLOPE PROTECTION AND COPING**

\*SEE PLANS FOR CONCRETE DITCH AND END BENT SLOPE DETAILS.  
\*SEE WALL ENVELOPE FOR GRADE ELEVATIONS.

FOR CONCRETE DITCHES, SEE SECTION 850 OF THE STANDARD SPECIFICATIONS.  
FOR CONCRETE SLOPE PROTECTION, SEE SECTION 462 OF THE STANDARD SPECIFICATIONS.

**PRELIMINARY PLANS**  
DO NOT USE FOR CONSTRUCTION



**NORTH CAROLINA**  
**DEPARTMENT OF TRANSPORTATION**  
**DIVISION OF HIGHWAYS**

**GEOTECHNICAL**  
**ENGINEERING UNIT**

*STD CELL Wall\_Ditch\_SlopeProtection*

**CONCRETE DITCH BEHIND WALL WITH SLOPE PROTECTION FOR CONCRETE FACING AND COPING**

DATE: 3-17-15