



NC DEPARTMENT OF TRANSPORTATION
 DIVISION OF HIGHWAYS
 STRUCTURE MANAGEMENT UNIT

ATTENTION: Priority Maintenance; Approach Roadway, Typical Section Modified

Structure Safety Report

Routine Element Inspection - Contract

INSPECTION DATE: 04/09/2018

DIVISION: 4 COUNTY: JOHNSTON STRUCTURE NUMBER: 500085 FREQUENCY: 24 MONTHS

FACILITY CARRIED: I95 SBL MILE POST: 90.5

LOCATION: 0.8 MI.N.JCT US301/701

FEATURE INTERSECTED: BLACK CREEK

LATITUDE: 35° 27' 59.08" LONGITUDE: 78° 22' 50.65"

SUPERSTRUCTURE: RC DECK ON I-BEAMS

SUBSTRUCTURE: EBTS:RC CAP/H-PILES @ 8'CTS;IBTS:RCP&BEAM

SPANS: 4 SPANS. SEE SPAN PROFILE SHEET FOR SPAN DETAILS

FRACTURE CRITICAL TEMPORARY SHORING SCOUR CRITICAL SCOUR PLAN OF ACTION

GRADES: DECK 6 SUPERSTRUCTURE 6 SUBSTRUCTURE 6 CULVERT N

POSTED SV: Not Posted POSTED TTST: Not Posted

OTHER SIGNS PRESENT: (2) Delineators



Sign noticed issued for	Number Required
<u>NO</u> WEIGHT LIMIT	<u>0</u>
<u>NO</u> DELINEATORS	<u>0</u>
<u>NO</u> NARROW BRIDGE	<u>0</u>
<u>NO</u> ONE LANE BRIDGE	<u>0</u>
<u>NO</u> LOW CLEARANCE	<u>0</u>

DIRECTION OF INSPECTION S-N

DIRECTION MATCHES PLANS _____

Looking North

INSPECTED BY Cesar O Cuevas	SIGNATURE <i>Cesar O Cuevas</i>	ASSISTED BY Jonathan M Simpson
--------------------------------	------------------------------------	-----------------------------------

Structure Element Scoring

Structure Number: **500085**

Inspection Date **4/9/2018**

Element Number	Parent Number	Element Name	Location	Total Quantity	Level 1 Quantity	Level 2 Quantity	Level 3 Quantity	Level 4 Quantity
12	0	Reinforced Concrete Deck	Deck	6021	6021	0	0	0
107	0	Steel Open Girder/Beam	Beam	812	5	807	0	0
515	107	Steel Protective Coating	Beam	7712	6657	1055	0	0
205	0	Reinforced Concrete Column	Piles and Columns	6	0	1	5	0
215	0	Reinforced Concrete Abutment	Abutments	64	17	47	0	0
225	0	Steel Pile	Piles and Columns	2	2	0	0	0
234	0	Reinforced Concrete Pier Cap	Caps	145	103	33	9	0
301	0	Pourable Joint Seal	Expansion Joints	150	116	24	10	0
311	0	Movable Bearing	Bearing Device	16	0	16	0	0
515	311	Steel Protective Coating	Bearing Device	16	0	16	0	0
313	0	Fixed Bearing	Bearing Device	16	0	16	0	0
515	313	Steel Protective Coating	Bearing Device	16	0	16	0	0
333	0	Other Bridge Railing	Bridge Rail	406	338	53	15	0
515	333	Steel Protective Coating	Bridge Rail	2402	2402	0	0	0
510	0	Wearing Surface	Wearing Surfaces	5685	5684	1	0	0

Summary of Maintenance Needs

Maintenance By Defect

Structure Number: **500085**

Inspection Date: **04/09/2018**

MMS Code	Element Name	Defect Name	Recommended Quantity
3348	Reinforced Concrete Column	Exposed Rebar	7 Each
3348	Reinforced Concrete Column	Cracking (RC and Other)	11 Each
3348	Reinforced Concrete Column	Delamination/Spall	4 Each
3350	Reinforced Concrete Abutment	Delamination/Spall	4 Feet
3348	Reinforced Concrete Pier Cap	Delamination/Spall	2 Feet
3348	Reinforced Concrete Pier Cap	Exposed Rebar	3 Feet
3348	Reinforced Concrete Pier Cap	Cracking (RC and Other)	8 Feet
3310	Pourable Joint Seal	Adjacent Deck or Header	10 Feet
3318	Other Bridge Railing	Delamination/Spall	22 Feet
2816	Wearing Surface	Crack (Wearing Surface)	1 Square Feet
3342	Steel Protective Coating	Effectiveness (Steel Protective Coatings)	1087 Square Feet

Element Structure Maintenance Quantities

Structure Number: **500085**

Inspection Date **04/09/2018**

Location	MMS Code	Description	Maint Quantity	Total Quantity	Severe Quantity	Poor Quantity	Fair Quantity	Good Quantity
Abutments	3350	Maintenance of Concrete Wings and Wall	4	64	0	0	47	17
Beam	3314	Maintenance Steel Superstructure Components	0	812	0	0	807	5
Beam	3342	Clean and Paint Steel	1055	7712	0	0	1055	6657
Bearing Device	3334	Bridge Bearing	0	32	0	0	32	0
Bearing Device	3342	Clean and Paint Steel	32	32	0	0	32	0
Bridge Rail	3318	Maintenance of Concrete Bridge Rail	22	406	0	15	53	338
Bridge Rail	3342	Clean and Paint Steel	0	2402	0	0	0	2402
Caps	3348	Maintenance of Concrete Substructure	13	145	0	9	33	103
Deck	3326	Maintenance of Concrete Deck	0	6021	0	0	0	6021
Expansion Joints	3310	Maintenance of Standard Bridge Expansion Joints	10	150	0	10	24	116
Piles and Columns	3348	Maintenance of Concrete Substructure	22	6	0	5	1	0
Piles and Columns	3354	Maintenance of Steel Substructure Components	0	2	0	0	0	2
Wearing Surfaces	2816	Asphalt Surface Repair	1	5685	0	0	1	5684

Element Condition and Maintenance Data

Structure Number: 500085

Inspection Date: 04/09/2018

Span 1 Left Bridge Rail

Concrete and Metal Railing

Element Number	Element Name	Total Qty	CS1 Qty	CS2 Qty	CS3 Qty	CS4 Qty
333	Other Bridge Railing	52	41	8	3	0 Feet
515	Steel Protective Coating	304	304	0	0	0 Square Feet

Element Number	Defect Type	Defect Description	CS	CS Qty	Maint Qty
333	Delamination/Spall	(3) up to 10" x 6" x 1" deep spall on outside face of concrete rail	3	3	3 Feet
333	Cracking (RC and Other)	(8) hairline vertical and transverse cracks on concrete rail and curb	2	8	Feet

General Comments

Span 1 Right Bridge Rail

Concrete and Metal Railing

Element Number	Element Name	Total Qty	CS1 Qty	CS2 Qty	CS3 Qty	CS4 Qty
333	Other Bridge Railing	52	44	6	2	0 Feet
515	Steel Protective Coating	304	304	0	0	0 Square Feet

Element Number	Defect Type	Defect Description	CS	CS Qty	Maint Qty
333	Delamination/Spall	(2) up to 7" x 6" x 1" deep spall on outside face of rail	3	2	2 Feet
333	Cracking (RC and Other)	(5) hairline vertical and transverse cracks on concrete rail and curb	2	5	Feet
333	Delamination/Spall	3" x 2" x 1/2" deep spall on top of Post 8	2	1	1 Feet

General Comments

Span 1 Beam 1

Plate Girder

Element Number	Element Name	Total Qty	CS1 Qty	CS2 Qty	CS3 Qty	CS4 Qty
107	Steel Open Girder/Beam	52	0	52	0	0 Feet
515	Steel Protective Coating	492	452	40	0	0 Square Feet

Element Number	Defect Type	Defect Description	CS	CS Qty	Maint Qty
107	Corrosion	47' peeling paint with rust on both flanges and web	2	47	Feet
107	Corrosion	Full length surface rust on both flanges and web	2	5	Feet
515	Effectiveness (Steel Protective Coatings)	Substantially effective	2	40	40 Square Feet

General Comments

Temporary Repair - 7" x 31" area of replaced beam at End Bent 1

Span 1 Near Bearing**Fixed Bearing**

Element Number	Element Name	Total Qty	CS1 Qty	CS2 Qty	CS3 Qty	CS4 Qty	
313	Fixed Bearing	1	0	1	0	0	Each
515	Steel Protective Coating	1	0	1	0	0	Square Feet

Element Number	Defect Type	Defect Description	CS	CS Qty	Maint Qty	
313	Corrosion	Peeling paint with rust	2	1		Each
515	Effectiveness (Steel Protective Coatings)	Substantially effective	2	1	1	Square Feet

General Comments**Span 1 Far Bearing****Movable Bearing**

Element Number	Element Name	Total Qty	CS1 Qty	CS2 Qty	CS3 Qty	CS4 Qty	
311	Movable Bearing	1	0	1	0	0	Each
515	Steel Protective Coating	1	0	1	0	0	Square Feet

Element Number	Defect Type	Defect Description	CS	CS Qty	Maint Qty	
311	Corrosion	Peeling paint with rust	2	1		Each
515	Effectiveness (Steel Protective Coatings)	Substantially effective	2	1	1	Square Feet

General Comments**Span 1 Beam 2****Plate Girder**

Element Number	Element Name	Total Qty	CS1 Qty	CS2 Qty	CS3 Qty	CS4 Qty	
107	Steel Open Girder/Beam	52	0	52	0	0	Feet
515	Steel Protective Coating	492	432	60	0	0	Square Feet

Element Number	Defect Type	Defect Description	CS	CS Qty	Maint Qty	
107	Corrosion	48' peeling paint with rust on web	2	48		Feet
107	Corrosion	Full length surface rust on both flanges and web	2	4		Feet
515	Effectiveness (Steel Protective Coatings)	Substantially effective	2	60	60	Square Feet

General Comments

Temporary Repair - 7" x 31" area of replaced beam at End Bent 1

Temporary Repair - 20" x 12" plate welded to bottom flange at Bent 1

Span 1 Near Bearing**Fixed Bearing**

Element Number	Element Name	Total Qty	CS1 Qty	CS2 Qty	CS3 Qty	CS4 Qty	
313	Fixed Bearing	1	0	1	0	0	Each
515	Steel Protective Coating	1	0	1	0	0	Square Feet

Element Number	Defect Type	Defect Description	CS	CS Qty	Maint Qty	
313	Corrosion	Peeling paint with rust	2	1		Each

515	Effectiveness (Steel Protective Coatings)	Substantially effective	2	1	1	Square Feet
------------	---	-------------------------	---	---	---	-------------

General Comments**Span 1 Far Bearing****Movable Bearing**

Element Number	Element Name	Total Qty	CS1 Qty	CS2 Qty	CS3 Qty	CS4 Qty
311	Movable Bearing	1	0	1	0	0 Each
515	Steel Protective Coating	1	0	1	0	0 Square Feet

Element Number	Defect Type	Defect Description	CS	CS Qty	Maint Qty
311	Corrosion	Peeling paint with rust	2	1	Each
515	Effectiveness (Steel Protective Coatings)	Substantially effective	2	1	1 Square Feet

General Comments**Span 1 Beam 3****Plate Girder**

Element Number	Element Name	Total Qty	CS1 Qty	CS2 Qty	CS3 Qty	CS4 Qty
107	Steel Open Girder/Beam	52	0	52	0	0 Feet
515	Steel Protective Coating	492	432	60	0	0 Square Feet

Element Number	Defect Type	Defect Description	CS	CS Qty	Maint Qty
107	Corrosion	48' peeling paint with rust on web	2	48	Feet
107	Corrosion	Full length surface rust on both flanges and web	2	4	Feet
515	Effectiveness (Steel Protective Coatings)	Substantially effective	2	60	60 Square Feet

General Comments

Temporary Repair - 7" x 31" area of replaced beam at End Bent 1

Span 1 Near Bearing**Fixed Bearing**

Element Number	Element Name	Total Qty	CS1 Qty	CS2 Qty	CS3 Qty	CS4 Qty
313	Fixed Bearing	1	0	1	0	0 Each
515	Steel Protective Coating	1	0	1	0	0 Square Feet

Element Number	Defect Type	Defect Description	CS	CS Qty	Maint Qty
313	Corrosion	Peeling paint with rust	2	1	Each
515	Effectiveness (Steel Protective Coatings)	Substantially effective	2	1	1 Square Feet

General Comments

Span 1 Far Bearing
Movable Bearing

Element Number	Element Name	Total Qty	CS1 Qty	CS2 Qty	CS3 Qty	CS4 Qty	
311	Movable Bearing	1	0	1	0	0	Each
515	Steel Protective Coating	1	0	1	0	0	Square Feet

Element Number	Defect Type	Defect Description	CS	CS Qty	Maint Qty	
311	Corrosion	Peeling paint with rust	2	1		Each
515	Effectiveness (Steel Protective Coatings)	Substantially effective	2	1	1	Square Feet

General Comments

Span 1 Beam 4
Plate Girder

Element Number	Element Name	Total Qty	CS1 Qty	CS2 Qty	CS3 Qty	CS4 Qty	
107	Steel Open Girder/Beam	52	2	50	0	0	Feet
515	Steel Protective Coating	492	432	60	0	0	Square Feet

Element Number	Defect Type	Defect Description	CS	CS Qty	Maint Qty	
107	Corrosion	47' peeling paint with rust on both flanges and web	2	47		Feet
107	Corrosion	Full length surface rust on both flanges and web	2	3		Feet
515	Effectiveness (Steel Protective Coatings)	Substantially effective	2	60	60	Square Feet

General Comments

Temporary Repair - 7" x 31" area of replaced beam at End Bent 1

Span 1 Near Bearing
Fixed Bearing

Element Number	Element Name	Total Qty	CS1 Qty	CS2 Qty	CS3 Qty	CS4 Qty	
313	Fixed Bearing	1	0	1	0	0	Each
515	Steel Protective Coating	1	0	1	0	0	Square Feet

Element Number	Defect Type	Defect Description	CS	CS Qty	Maint Qty	
313	Corrosion	Surface rust	2	1		Each
515	Effectiveness (Steel Protective Coatings)	Substantially effective	2	1	1	Square Feet

General Comments

Span 1 Far Bearing
Movable Bearing

Element Number	Element Name	Total Qty	CS1 Qty	CS2 Qty	CS3 Qty	CS4 Qty	
311	Movable Bearing	1	0	1	0	0	Each
515	Steel Protective Coating	1	0	1	0	0	Square Feet

Element Number	Defect Type	Defect Description	CS	CS Qty	Maint Qty	
311	Corrosion	Peeling paint with rust	2	1		Each
515	Effectiveness (Steel Protective Coatings)	Substantially effective	2	1	1	Square Feet

General Comments

Span 1 Expansion Joint
Standard Joint

Element Number	Element Name	Total Qty	CS1 Qty	CS2 Qty	CS3 Qty	CS4 Qty
301	Pourable Joint Seal	30	24	6	0	0 Feet

Element Number	Defect Type	Defect Description	CS	CS Qty	Maint Qty
301	Adjacent Deck or Header	(8) up to 8" x 5" x 1" deep area of missing asphalt wearing surface along joint	2	6	Feet

General Comments

Span 2 Left Bridge Rail
Concrete and Metal Railing

Element Number	Element Name	Total Qty	CS1 Qty	CS2 Qty	CS3 Qty	CS4 Qty
333	Other Bridge Railing	50	43	4	3	0 Feet
515	Steel Protective Coating	299	299	0	0	0 Square Feet

Element Number	Defect Type	Defect Description	CS	CS Qty	Maint Qty
333	Delamination/Spall	(4) up to 9" x 6" x 1" deep spalls on outside face of concrete rail	3	3	3 Feet
333	Cracking (RC and Other)	(4) hairline vertical and transverse cracks on concrete rail and curb	2	4	Feet

General Comments

Span 2 Right Bridge Rail
Concrete and Metal Railing

Element Number	Element Name	Total Qty	CS1 Qty	CS2 Qty	CS3 Qty	CS4 Qty
333	Other Bridge Railing	50	44	6	0	0 Feet
515	Steel Protective Coating	299	299	0	0	0 Square Feet

Element Number	Defect Type	Defect Description	CS	CS Qty	Maint Qty
333	Cracking (RC and Other)	(4) hairline vertical and transverse cracks on concrete rail and curb	2	4	Feet
333	Delamination/Spall	7" x 5" x 1" deep spall on outside face of concrete rail	2	1	1 Feet
333	Patched Area	4" x 3" area of sound patch on top of Post 9	2	1	Feet

General Comments

Span 2 Beam 1
Plate Girder

Element Number	Element Name	Total Qty	CS1 Qty	CS2 Qty	CS3 Qty	CS4 Qty
107	Steel Open Girder/Beam	50	0	50	0	0 Feet
515	Steel Protective Coating	478	438	40	0	0 Square Feet

Element Number	Defect Type	Defect Description	CS	CS Qty	Maint Qty
107	Corrosion	30' peeling paint with rust on both flanges and web	2	30	Feet

107	Corrosion	Full length surface rust on both flanges and web	2	20	Feet
515	Effectiveness (Steel Protective Coatings)	Substantially effective	2	40	40 Square Feet

General Comments**Span 2 Near Bearing****Fixed Bearing**

Element Number	Element Name	Total Qty	CS1 Qty	CS2 Qty	CS3 Qty	CS4 Qty
313	Fixed Bearing	1	0	1	0	0 Each
515	Steel Protective Coating	1	0	1	0	0 Square Feet

Element Number	Defect Type	Defect Description	CS	CS Qty	Maint Qty
313	Corrosion	Peeling paint with rust	2	1	Each
515	Effectiveness (Steel Protective Coatings)	Substantially effective	2	1	1 Square Feet

General Comments**Span 2 Far Bearing****Movable Bearing**

Element Number	Element Name	Total Qty	CS1 Qty	CS2 Qty	CS3 Qty	CS4 Qty
311	Movable Bearing	1	0	1	0	0 Each
515	Steel Protective Coating	1	0	1	0	0 Square Feet

Element Number	Defect Type	Defect Description	CS	CS Qty	Maint Qty
311	Corrosion	Peeling paint with rust	2	1	Each
515	Effectiveness (Steel Protective Coatings)	Substantially effective	2	1	1 Square Feet

General Comments**Span 2 Beam 2****Plate Girder**

Element Number	Element Name	Total Qty	CS1 Qty	CS2 Qty	CS3 Qty	CS4 Qty
107	Steel Open Girder/Beam	50	0	50	0	0 Feet
515	Steel Protective Coating	478	428	50	0	0 Square Feet

Element Number	Defect Type	Defect Description	CS	CS Qty	Maint Qty
107	Corrosion	40' peeling paint with rust on both flanges and web	2	40	Feet
107	Corrosion	Full length surface rust on both flanges and web	2	10	Feet
515	Effectiveness (Steel Protective Coatings)	Substantially effective	2	50	50 Square Feet

General Comments

Temporary Repair - 20" x 12" plate welded to bottom flange at Bent 1

Span 2 Near Bearing**Fixed Bearing**

Element Number	Element Name	Total Qty	CS1 Qty	CS2 Qty	CS3 Qty	CS4 Qty	
313	Fixed Bearing	1	0	1	0	0	Each
515	Steel Protective Coating	1	0	1	0	0	Square Feet

Element Number	Defect Type	Defect Description	CS	CS Qty	Maint Qty	
313	Corrosion	Peeling paint with rust	2	1		Each
515	Effectiveness (Steel Protective Coatings)	Substantially effective	2	1	1	Square Feet

General Comments**Span 2 Far Bearing****Movable Bearing**

Element Number	Element Name	Total Qty	CS1 Qty	CS2 Qty	CS3 Qty	CS4 Qty	
311	Movable Bearing	1	0	1	0	0	Each
515	Steel Protective Coating	1	0	1	0	0	Square Feet

Element Number	Defect Type	Defect Description	CS	CS Qty	Maint Qty	
311	Corrosion	Peeling paint with rust	2	1		Each
515	Effectiveness (Steel Protective Coatings)	Substantially effective	2	1	1	Square Feet

General Comments**Span 2 Beam 3****Plate Girder**

Element Number	Element Name	Total Qty	CS1 Qty	CS2 Qty	CS3 Qty	CS4 Qty	
107	Steel Open Girder/Beam	50	0	50	0	0	Feet
515	Steel Protective Coating	478	358	120	0	0	Square Feet

Element Number	Defect Type	Defect Description	CS	CS Qty	Maint Qty	
107	Corrosion	Full length peeling paint with rust on both flanges and web	2	50		Feet
107	Corrosion	Full length surface rust on both flanges and web	2			Feet
515	Effectiveness (Steel Protective Coatings)	Substantially effective	2	120	120	Square Feet

General Comments**Span 2 Near Bearing****Fixed Bearing**

Element Number	Element Name	Total Qty	CS1 Qty	CS2 Qty	CS3 Qty	CS4 Qty	
313	Fixed Bearing	1	0	1	0	0	Each
515	Steel Protective Coating	1	0	1	0	0	Square Feet

Element Number	Defect Type	Defect Description	CS	CS Qty	Maint Qty	
313	Corrosion	Peeling paint with rust	2	1		Each
515	Effectiveness (Steel Protective Coatings)	Substantially effective	2	1	1	Square Feet

General Comments

Span 2 Far Bearing

Movable Bearing

Element Number	Element Name	Total Qty	CS1 Qty	CS2 Qty	CS3 Qty	CS4 Qty	
311	Movable Bearing	1	0	1	0	0	Each
515	Steel Protective Coating	1	0	1	0	0	Square Feet

Element Number	Defect Type	Defect Description	CS	CS Qty	Maint Qty	
311	Corrosion	Peeling paint with rust	2	1		Each
515	Effectiveness (Steel Protective Coatings)	Substantially effective	2	1	1	Square Feet

General Comments

Span 2 Beam 4

Plate Girder

Element Number	Element Name	Total Qty	CS1 Qty	CS2 Qty	CS3 Qty	CS4 Qty	
107	Steel Open Girder/Beam	50	0	50	0	0	Feet
515	Steel Protective Coating	478	428	50	0	0	Square Feet

Element Number	Defect Type	Defect Description	CS	CS Qty	Maint Qty	
107	Corrosion	Full length peeling paint with rust on both flanges and web	2	50		Feet
107	Corrosion	Full length surface rust on both flanges and web	2			Feet
515	Effectiveness (Steel Protective Coatings)	Substantially effective	2	50	50	Square Feet

General Comments

Span 2 Near Bearing

Fixed Bearing

Element Number	Element Name	Total Qty	CS1 Qty	CS2 Qty	CS3 Qty	CS4 Qty	
313	Fixed Bearing	1	0	1	0	0	Each
515	Steel Protective Coating	1	0	1	0	0	Square Feet

Element Number	Defect Type	Defect Description	CS	CS Qty	Maint Qty	
313	Corrosion	Peeling paint with rust	2	1		Each
515	Effectiveness (Steel Protective Coatings)	Substantially effective	2	1	1	Square Feet

General Comments

Span 2 Far Bearing**Movable Bearing**

Element Number	Element Name	Total Qty	CS1 Qty	CS2 Qty	CS3 Qty	CS4 Qty	
311	Movable Bearing	1	0	1	0	0	Each
515	Steel Protective Coating	1	0	1	0	0	Square Feet

Element Number	Defect Type	Defect Description	CS	CS Qty	Maint Qty	
311	Corrosion	Peeling paint with rust	2	1		Each
515	Effectiveness (Steel Protective Coatings)	Substantially effective	2	1	1	Square Feet

General Comments**Span 2 Expansion Joint****Standard Joint**

Element Number	Element Name	Total Qty	CS1 Qty	CS2 Qty	CS3 Qty	CS4 Qty	
301	Pourable Joint Seal	30	24	0	6	0	Feet

Element Number	Defect Type	Defect Description	CS	CS Qty	Maint Qty	
301	Adjacent Deck or Header	(2) up to 36" x 7" x 1" deep area of missing asphalt wearing surface along joint	3	6	6	Feet

General Comments**Span 3 Wearing Surface****Asphalt Wearing Surface**

Element Number	Element Name	Total Qty	CS1 Qty	CS2 Qty	CS3 Qty	CS4 Qty	
510	Wearing Surface	1,409	1,408	1	0	0	Square Feet

Element Number	Defect Type	Defect Description	CS	CS Qty	Maint Qty	
510	Crack (Wearing Surface)	6" x 6" area of hairline longitudinal and transverse cracks in East lane, 9' from Bent 2	2	1	1	Square Feet

General Comments**Span 3 Left Bridge Rail****Concrete and Metal Railing**

Element Number	Element Name	Total Qty	CS1 Qty	CS2 Qty	CS3 Qty	CS4 Qty	
333	Other Bridge Railing	50	42	8	0	0	Feet
515	Steel Protective Coating	299	299	0	0	0	Square Feet

Element Number	Defect Type	Defect Description	CS	CS Qty	Maint Qty	
333	Cracking (RC and Other)	(4) hairline vertical and transverse cracks on concrete rail and curb	2	4		Feet
333	Delamination/Spall	(5) up to 7" x 8" x 1" deep spalls on outside face of concrete rail	2	3	3	Feet
333	Patched Area	5" x 2" area of sound patch on top of concrete Post 3	2	1		Feet

General Comments

Span 3 Right Bridge Rail
Concrete and Metal Railing

Element Number	Element Name	Total Qty	CS1 Qty	CS2 Qty	CS3 Qty	CS4 Qty
333	Other Bridge Railing	50	45	5	0	0 Feet
515	Steel Protective Coating	299	299	0	0	0 Square Feet

Element Number	Defect Type	Defect Description	CS	CS Qty	Maint Qty
333	Cracking (RC and Other)	(5) hairline vertical and transverse cracks on concrete rail and curb	2	5	Feet

General Comments

Span 3 Beam 1
Plate Girder

Element Number	Element Name	Total Qty	CS1 Qty	CS2 Qty	CS3 Qty	CS4 Qty
107	Steel Open Girder/Beam	50	0	50	0	0 Feet
515	Steel Protective Coating	478	408	70	0	0 Square Feet

Element Number	Defect Type	Defect Description	CS	CS Qty	Maint Qty
107	Corrosion	Full length peeling paint with rust on both flanges and web	2	50	Feet
107	Corrosion	Full length surface rust on both flanges and web	2		Feet
515	Effectiveness (Steel Protective Coatings)	Substantially effective	2	70	70 Square Feet

General Comments

Span 3 Near Bearing
Fixed Bearing

Element Number	Element Name	Total Qty	CS1 Qty	CS2 Qty	CS3 Qty	CS4 Qty
313	Fixed Bearing	1	0	1	0	0 Each
515	Steel Protective Coating	1	0	1	0	0 Square Feet

Element Number	Defect Type	Defect Description	CS	CS Qty	Maint Qty
313	Corrosion	Peeling paint with rust	2	1	Each
515	Effectiveness (Steel Protective Coatings)	Substantially effective	2	1	1 Square Feet

General Comments

Span 3 Far Bearing
Movable Bearing

Element Number	Element Name	Total Qty	CS1 Qty	CS2 Qty	CS3 Qty	CS4 Qty
311	Movable Bearing	1	0	1	0	0 Each
515	Steel Protective Coating	1	0	1	0	0 Square Feet

Element Number	Defect Type	Defect Description	CS	CS Qty	Maint Qty
311	Corrosion	Peeling paint with rust	2	1	Each
515	Effectiveness (Steel Protective Coatings)	Substantially effective	2	1	1 Square Feet

General Comments**Span 3****Beam 2****Plate Girder**

Element Number	Element Name	Total Qty	CS1 Qty	CS2 Qty	CS3 Qty	CS4 Qty	
107	Steel Open Girder/Beam	50	0	50	0	0	Feet
515	Steel Protective Coating	478	368	110	0	0	Square Feet

Element Number	Defect Type	Defect Description	CS	CS Qty	Maint Qty	
107	Corrosion	Full length peeling paint with rust on both flanges and web	2	50		Feet
107	Corrosion	Full length surface rust on both flanges and web	2			Feet
515	Effectiveness (Steel Protective Coatings)	Substantially effective	2	110	110	Square Feet

General Comments**Span 3****Near Bearing****Fixed Bearing**

Element Number	Element Name	Total Qty	CS1 Qty	CS2 Qty	CS3 Qty	CS4 Qty	
313	Fixed Bearing	1	0	1	0	0	Each
515	Steel Protective Coating	1	0	1	0	0	Square Feet

Element Number	Defect Type	Defect Description	CS	CS Qty	Maint Qty	
313	Corrosion	Peeling paint with rust	2	1		Each
515	Effectiveness (Steel Protective Coatings)	Substantially effective	2	1	1	Square Feet

General Comments**Span 3****Far Bearing****Movable Bearing**

Element Number	Element Name	Total Qty	CS1 Qty	CS2 Qty	CS3 Qty	CS4 Qty	
311	Movable Bearing	1	0	1	0	0	Each
515	Steel Protective Coating	1	0	1	0	0	Square Feet

Element Number	Defect Type	Defect Description	CS	CS Qty	Maint Qty	
311	Corrosion	Peeling paint with rust	2	1		Each
515	Effectiveness (Steel Protective Coatings)	Substantially effective	2	1	1	Square Feet

General Comments

Temporary repair - Plate bolted on left side of bearing

Span 3 **Beam 3**
Plate Girder

Element Number	Element Name	Total Qty	CS1 Qty	CS2 Qty	CS3 Qty	CS4 Qty
107	Steel Open Girder/Beam	50	0	50	0	0 Feet
515	Steel Protective Coating	478	408	70	0	0 Square Feet

Element Number	Defect Type	Defect Description	CS	CS Qty	Maint Qty
107	Corrosion	40' peeling paint with rust on both flanges and web	2	40	Feet
107	Corrosion	Full length surface rust on both flanges and web	2	10	Feet
515	Effectiveness (Steel Protective Coatings)	Substantially effective	2	70	70 Square Feet

General Comments

Span 3 **Near Bearing**
Fixed Bearing

Element Number	Element Name	Total Qty	CS1 Qty	CS2 Qty	CS3 Qty	CS4 Qty
313	Fixed Bearing	1	0	1	0	0 Each
515	Steel Protective Coating	1	0	1	0	0 Square Feet

Element Number	Defect Type	Defect Description	CS	CS Qty	Maint Qty
313	Corrosion	Peeling paint with rust	2	1	Each
515	Effectiveness (Steel Protective Coatings)	Substantially effective	2	1	1 Square Feet

General Comments

Span 3 **Far Bearing**
Movable Bearing

Element Number	Element Name	Total Qty	CS1 Qty	CS2 Qty	CS3 Qty	CS4 Qty
311	Movable Bearing	1	0	1	0	0 Each
515	Steel Protective Coating	1	0	1	0	0 Square Feet

Element Number	Defect Type	Defect Description	CS	CS Qty	Maint Qty
311	Corrosion	Peeling paint with rust	2	1	Each
515	Effectiveness (Steel Protective Coatings)	Substantially effective	2	1	1 Square Feet

General Comments

Temporary repair - Plate bolted on left side of bearing

Span 3 **Beam 4**
Plate Girder

Element Number	Element Name	Total Qty	CS1 Qty	CS2 Qty	CS3 Qty	CS4 Qty
107	Steel Open Girder/Beam	50	0	50	0	0 Feet
515	Steel Protective Coating	478	418	60	0	0 Square Feet

Element Number	Defect Type	Defect Description	CS	CS Qty	Maint Qty
107	Corrosion	46' peeling paint with rust on both flanges and web	2	46	Feet
107	Corrosion	Full length surface rust on both flanges and web	2	4	Feet

515	Effectiveness (Steel Protective Coatings)	Substantially effective	2	60	60	Square Feet
------------	---	-------------------------	---	----	----	-------------

General Comments**Span 3 Near Bearing****Fixed Bearing**

Element Number	Element Name	Total Qty	CS1 Qty	CS2 Qty	CS3 Qty	CS4 Qty
313	Fixed Bearing	1	0	1	0	0 Each
515	Steel Protective Coating	1	0	1	0	0 Square Feet

Element Number	Defect Type	Defect Description	CS	CS Qty	Maint Qty
313	Corrosion	Peeling paint with rust	2	1	Each
515	Effectiveness (Steel Protective Coatings)	Substantially effective	2	1	1 Square Feet

General Comments**Span 3 Far Bearing****Movable Bearing**

Element Number	Element Name	Total Qty	CS1 Qty	CS2 Qty	CS3 Qty	CS4 Qty
311	Movable Bearing	1	0	1	0	0 Each
515	Steel Protective Coating	1	0	1	0	0 Square Feet

Element Number	Defect Type	Defect Description	CS	CS Qty	Maint Qty
311	Corrosion	Peeling paint with rust	2	1	Each
515	Effectiveness (Steel Protective Coatings)	Substantially effective	2	1	1 Square Feet

General Comments

Temporary repair - Plate bolted on left side of bearing

Span 3 Expansion Joint**Standard Joint**

Element Number	Element Name	Total Qty	CS1 Qty	CS2 Qty	CS3 Qty	CS4 Qty
301	Pourable Joint Seal	30	14	16	0	0 Feet

Element Number	Defect Type	Defect Description	CS	CS Qty	Maint Qty
301	Adjacent Deck or Header	(2) up to 9" x 4" x 1" deep area of missing asphalt wearing surface along joint	2	2	Feet
301	Seal Cracking	14' x 1' area of up to 1/8" transverse cracks in East lane	2	14	Feet

General Comments**Span 4 Left Bridge Rail****Concrete and Metal Railing**

Element Number	Element Name	Total Qty	CS1 Qty	CS2 Qty	CS3 Qty	CS4 Qty
333	Other Bridge Railing	51	35	10	6	0 Feet
515	Steel Protective Coating	299	299	0	0	0 Square Feet

Element Number	Defect Type	Defect Description	CS	CS Qty	Maint Qty
----------------	-------------	--------------------	----	--------	-----------

Structure Number: **500085**Inspection Date: **04/09/2018**

333	Delamination/Spall	(4) up to 10" x 9" x 1" deep spalls on outside face of concrete rail	3	4	4	Feet
333	Delamination/Spall	1" x 4" x 2" deep spall on concrete Post 6	3	1	1	Feet
333	Delamination/Spall	2" x 10" x 6" deep spall on concrete Post 7	3	1	1	Feet
333	Cracking (RC and Other)	(7) hairline vertical and transverse cracks on concrete rail and curb	2	7		Feet
333	Cracking (RC and Other)	6" hairline diagonal crack on top of concrete rail near Posts 2	2	1		Feet
333	Delamination/Spall	(2) up to 3" x 5" x 1" deep spalls on end post	2	1	1	Feet
333	Delamination/Spall	6" x 1" x 1/2" deep spall with exposed rebar on top of curb, 7' from Bent 3	2	1		Feet

General Comments

22' scrapes on metal rail at End Bent 2

Span 4 Right Bridge Rail**Concrete and Metal Railing**

Element Number	Element Name	Total Qty	CS1 Qty	CS2 Qty	CS3 Qty	CS4 Qty
333	Other Bridge Railing	51	44	6	1	0 Feet
515	Steel Protective Coating	299	299	0	0	0 Square Feet

Element Number	Defect Type	Defect Description	CS	CS Qty	Maint Qty
333	Delamination/Spall	2" x 8" x 10" deep spall with exposed rebar on concrete Post 7 (Post 6 similar)	3	1	1 Feet
333	Cracking (RC and Other)	(5) hairline vertical and transverse cracks on concrete rail and curb	2	5	Feet
333	Delamination/Spall	5" x 4" x 1/2" deep spall on outside face of concrete rail	2	1	1 Feet

General Comments**Span 4 Beam 1****Plate Girder**

Element Number	Element Name	Total Qty	CS1 Qty	CS2 Qty	CS3 Qty	CS4 Qty
107	Steel Open Girder/Beam	51	3	48	0	0 Feet
515	Steel Protective Coating	480	430	50	0	0 Square Feet

Element Number	Defect Type	Defect Description	CS	CS Qty	Maint Qty
107	Corrosion	48' peeling paint with rust on both flanges and web	2	48	Feet
515	Effectiveness (Steel Protective Coatings)	Substantially effective	2	50	50 Square Feet

General Comments**Span 4 Near Bearing****Movable Bearing**

Element Number	Element Name	Total Qty	CS1 Qty	CS2 Qty	CS3 Qty	CS4 Qty
311	Movable Bearing	1	0	1	0	0 Each
515	Steel Protective Coating	1	0	1	0	0 Square Feet

Element Number	Defect Type	Defect Description	CS	CS Qty	Maint Qty
311	Corrosion	Peeling paint with rust	2	1	Each
515	Effectiveness (Steel Protective Coatings)	Substantially effective	2	1	1 Square Feet

General Comments

Span 4 Far Bearing**Fixed Bearing**

Element Number	Element Name	Total Qty	CS1 Qty	CS2 Qty	CS3 Qty	CS4 Qty
313	Fixed Bearing	1	0	1	0	0 Each
515	Steel Protective Coating	1	0	1	0	0 Square Feet

Element Number	Defect Type	Defect Description	CS	CS Qty	Maint Qty
313	Corrosion	Peeling paint with rust	2	1	Each
515	Effectiveness (Steel Protective Coatings)	Substantially effective	2	1	1 Square Feet

General Comments**Span 4 Beam 2****Plate Girder**

Element Number	Element Name	Total Qty	CS1 Qty	CS2 Qty	CS3 Qty	CS4 Qty
107	Steel Open Girder/Beam	51	0	51	0	0 Feet
515	Steel Protective Coating	480	390	90	0	0 Square Feet

Element Number	Defect Type	Defect Description	CS	CS Qty	Maint Qty
107	Corrosion	Full length peeling paint with rust on web	2	51	Feet
107	Corrosion	Full length surface rust on both flanges and web	2		Feet
515	Effectiveness (Steel Protective Coatings)	Substantially effective	2	90	90 Square Feet

General Comments**Span 4 Near Bearing****Movable Bearing**

Element Number	Element Name	Total Qty	CS1 Qty	CS2 Qty	CS3 Qty	CS4 Qty
311	Movable Bearing	1	0	1	0	0 Each
515	Steel Protective Coating	1	0	1	0	0 Square Feet

Element Number	Defect Type	Defect Description	CS	CS Qty	Maint Qty
311	Corrosion	Peeling paint with rust	2	1	Each
515	Effectiveness (Steel Protective Coatings)	Substantially effective	2	1	1 Square Feet

General Comments**Span 4 Far Bearing****Fixed Bearing**

Element Number	Element Name	Total Qty	CS1 Qty	CS2 Qty	CS3 Qty	CS4 Qty
313	Fixed Bearing	1	0	1	0	0 Each
515	Steel Protective Coating	1	0	1	0	0 Square Feet

Element Number	Defect Type	Defect Description	CS	CS Qty	Maint Qty
----------------	-------------	--------------------	----	--------	-----------

Structure Number: **500085**Inspection Date: **04/09/2018**

313	Corrosion	Peeling paint with rust	2	1	Each
515	Effectiveness (Steel Protective Coatings)	Substantially effective	2	1	1 Square Feet

General Comments**Span 4 Beam 3****Plate Girder**

Element Number	Element Name	Total Qty	CS1 Qty	CS2 Qty	CS3 Qty	CS4 Qty
107	Steel Open Girder/Beam	51	0	51	0	0 Feet
515	Steel Protective Coating	480	430	50	0	0 Square Feet

Element Number	Defect Type	Defect Description	CS	CS Qty	Maint Qty
107	Corrosion	45' peeling paint with rust on bottom flange and web	2	45	Feet
107	Corrosion	Full length surface rust on both flanges and web	2	6	Feet
515	Effectiveness (Steel Protective Coatings)	Substantially effective	2	50	50 Square Feet

General Comments**Span 4 Near Bearing****Movable Bearing**

Element Number	Element Name	Total Qty	CS1 Qty	CS2 Qty	CS3 Qty	CS4 Qty
311	Movable Bearing	1	0	1	0	0 Each
515	Steel Protective Coating	1	0	1	0	0 Square Feet

Element Number	Defect Type	Defect Description	CS	CS Qty	Maint Qty
311	Corrosion	Peeling paint with rust	2	1	Each
515	Effectiveness (Steel Protective Coatings)	Substantially effective	2	1	1 Square Feet

General Comments**Span 4 Far Bearing****Fixed Bearing**

Element Number	Element Name	Total Qty	CS1 Qty	CS2 Qty	CS3 Qty	CS4 Qty
313	Fixed Bearing	1	0	1	0	0 Each
515	Steel Protective Coating	1	0	1	0	0 Square Feet

Element Number	Defect Type	Defect Description	CS	CS Qty	Maint Qty
313	Corrosion	Surface rust	2	1	Each
515	Effectiveness (Steel Protective Coatings)	Substantially effective	2	1	1 Square Feet

General Comments

Span 4**Beam 4****Plate Girder**

Element Number	Element Name	Total Qty	CS1 Qty	CS2 Qty	CS3 Qty	CS4 Qty
107	Steel Open Girder/Beam	51	0	51	0	0 Feet
515	Steel Protective Coating	480	405	75	0	0 Square Feet

Element Number	Defect Type	Defect Description	CS	CS Qty	Maint Qty
107	Corrosion	Full length peeling paint with rust on both flanges and web	2	51	Feet
515	Effectiveness (Steel Protective Coatings)	Substantially effective	2	75	75 Square Feet

General Comments**Span 4****Near Bearing****Movable Bearing**

Element Number	Element Name	Total Qty	CS1 Qty	CS2 Qty	CS3 Qty	CS4 Qty
311	Movable Bearing	1	0	1	0	0 Each
515	Steel Protective Coating	1	0	1	0	0 Square Feet

Element Number	Defect Type	Defect Description	CS	CS Qty	Maint Qty
311	Corrosion	Peeling paint with rust	2	1	Each
515	Effectiveness (Steel Protective Coatings)	Substantially effective	2	1	1 Square Feet

General Comments**Span 4****Far Bearing****Fixed Bearing**

Element Number	Element Name	Total Qty	CS1 Qty	CS2 Qty	CS3 Qty	CS4 Qty
313	Fixed Bearing	1	0	1	0	0 Each
515	Steel Protective Coating	1	0	1	0	0 Square Feet

Element Number	Defect Type	Defect Description	CS	CS Qty	Maint Qty
313	Corrosion	Peeling paint with rust	2	1	Each
515	Effectiveness (Steel Protective Coatings)	Substantially effective	2	1	1 Square Feet

General Comments**Span 4****Expansion Joint****Standard Joint**

Element Number	Element Name	Total Qty	CS1 Qty	CS2 Qty	CS3 Qty	CS4 Qty
301	Pourable Joint Seal	30	26	0	4	0 Feet

Element Number	Defect Type	Defect Description	CS	CS Qty	Maint Qty
301	Adjacent Deck or Header	(2) up to 20" x 20" x 1/2" deep area of missing asphalt wearing surface along joint	3	4	4 Feet

General Comments

Span 4 Expansion Joint**Standard Joint**

Element Number	Element Name	Total Qty	CS1 Qty	CS2 Qty	CS3 Qty	CS4 Qty
301	Pourable Joint Seal	30	28	2	0	0 Feet

Element Number	Defect Type	Defect Description	CS	CS Qty	Maint Qty
301	Seal Cracking	2' transverse crack in West lane	2	2	Feet

General Comments**Bent 1 Cap 1****Reinforced Concrete Pier Cap**

Element Number	Element Name	Total Qty	CS1 Qty	CS2 Qty	CS3 Qty	CS4 Qty
234	Reinforced Concrete Pier Cap	27	19	6	2	0 Feet

Element Number	Defect Type	Defect Description	CS	CS Qty	Maint Qty
234	Cracking (RC and Other)	18" up to 1/8" horizontal crack on Span 1 face under Bay 1	3	2	2 Feet
234	Cracking (RC and Other)	42" x 24" area of hairline vertical and horizontal cracks on Span 1 face under Bay 1	2	4	Feet
234	Delamination/Spall	12" x 24" area of delamination with hairline vertical, diagonal cracks on Span 1 face at West end	2	1	1 Feet
234	Exposed Rebar	(2) up to 3" x 3" x 1" deep spall with exposed rebar on corbel on Span 1 face	2	1	1 Feet

General Comments**Bent 1 Pile 1****Reinforced Concrete Column**

Element Number	Element Name	Total Qty	CS1 Qty	CS2 Qty	CS3 Qty	CS4 Qty
205	Reinforced Concrete Column	1	0	0	1	0 Each

Element Number	Defect Type	Defect Description	CS	CS Qty	Maint Qty
205	Cracking (RC and Other)	30" up to 1/8" vertical crack on Span 1 face	3		3 Each
205	Exposed Rebar	12" x 5" x 1" deep spall with exposed rebar on Span 1 face (PM)	3	1	1 Each
205	Exposed Rebar	2" x 6" x 1/2" deep spall with exposed rebar on Span 1 face of strut	2		1 Each

General Comments**Bent 1 Pile 2****Reinforced Concrete Column**

Element Number	Element Name	Total Qty	CS1 Qty	CS2 Qty	CS3 Qty	CS4 Qty
205	Reinforced Concrete Column	1	0	0	1	0 Each

Element Number	Defect Type	Defect Description	CS	CS Qty	Maint Qty
205	Cracking (RC and Other)	18" up to 1/16" vertical crack on Span 1 face	3	1	2 Each
205	Exposed Rebar	(2) up to 3" x 2" x 1/2" deep spall with exposed rebar on corbel and strut on Span 1 face	2		1 Each
205	Exposed Rebar	4" x 1" x 1/2" deep spall with exposed rebar on Span 1 face of corbel	2		1 Each

General Comments**End Bent 1 Cap 1****Reinforced Concrete Pier Cap**

Element Number	Element Name	Total Qty	CS1 Qty	CS2 Qty	CS3 Qty	CS4 Qty
234	Reinforced Concrete Pier Cap	32	16	12	4	0 Feet

Element Number	Defect Type	Defect Description	CS	CS Qty	Maint Qty
234	Cracking (RC and Other)	16" up to 1/16" diagonal crack under Beam 4 (Beam 1 similar)	3	3	3 Feet
234	Delamination/Spall	4" x 4" x 2" deep spall on Pile Cap 1	3	1	1 Feet
234	Cracking (RC and Other)	14" hairline vertical crack under Beam 4	2	1	Feet
234	Cracking (RC and Other)	5' hairline horizontal crack under Bay 1	2	5	Feet
234	Cracking (RC and Other)	6' x 1' area of delamination with hairline vertical and horizontal cracks under Bay 2	2	6	Feet

General Comments**End Bent 1 Abutment****Reinforced Concrete Abutment**

Element Number	Element Name	Total Qty	CS1 Qty	CS2 Qty	CS3 Qty	CS4 Qty
215	Reinforced Concrete Abutment	32	11	21	0	0 Feet

Element Number	Defect Type	Defect Description	CS	CS Qty	Maint Qty
215	Cracking (RC and Other)	28" hairline horizontal crack at West end	2	3	Feet
215	Cracking (RC and Other)	6' hairline horizontal crack in Bay 3 (Bays 1 and 2 similar)	2	18	Feet

General Comments**Bent 2 Cap 1****Reinforced Concrete Pier Cap**

Element Number	Element Name	Total Qty	CS1 Qty	CS2 Qty	CS3 Qty	CS4 Qty
234	Reinforced Concrete Pier Cap	27	16	11	0	0 Feet

Element Number	Defect Type	Defect Description	CS	CS Qty	Maint Qty
234	Patched Area	30" x 30" area of sound patch on East face	2	3	Feet
234	Patched Area	4' x 15" area of sound patch on Span 2 face under Beam 2 (Beam 3 similar)	2	8	Feet

General Comments**Bent 2 Pile 1****Reinforced Concrete Column**

Element Number	Element Name	Total Qty	CS1 Qty	CS2 Qty	CS3 Qty	CS4 Qty
205	Reinforced Concrete Column	1	0	0	1	0 Each

Element Number	Defect Type	Defect Description	CS	CS Qty	Maint Qty
----------------	-------------	--------------------	----	--------	-----------

Structure Number: **500085**

Inspection Date: **04/09/2018**

205	Delamination/Spall	10" x 2" x 2" deep spall on Span 3 face of strut	3	1	1	Each
205	Abrasion/Wear (PSC/RC)	4' abrasion at waterline	2			Each
205	Delamination/Spall	4" x 2" area of honeycombing on Southeast corner	2		1	Each
205	Delamination/Spall	4" x 3" x 1" deep spall on Span 3 face of corbel under strut	2		1	Each
205	Exposed Rebar	2" x 6" x 1/2" deep spall with exposed rebar on Span 3 face of strut	2		1	Each

General Comments

Bent 2 Pile 2 Reinforced Concrete Column

Element Number	Element Name	Total Qty	CS1 Qty	CS2 Qty	CS3 Qty	CS4 Qty
205	Reinforced Concrete Column	1	0	1	0	0 Each

Element Number	Defect Type	Defect Description	CS	CS Qty	Maint Qty
205	Abrasion/Wear (PSC/RC)	4' abrasion at waterline	2	1	Each
205	Exposed Rebar	2" x 6" x 1/2" deep spall with exposed rebar on Span 3 face of strut	2		1 Each

General Comments

End Bent 2 Cap 1 Reinforced Concrete Pier Cap

Element Number	Element Name	Total Qty	CS1 Qty	CS2 Qty	CS3 Qty	CS4 Qty
234	Reinforced Concrete Pier Cap	32	30	2	0	0 Feet

Element Number	Defect Type	Defect Description	CS	CS Qty	Maint Qty
234	Cracking (RC and Other)	15" hairline horizontal crack under Bay 3	2	2	Feet

General Comments

End Bent 2 Abutment Reinforced Concrete Abutment

Element Number	Element Name	Total Qty	CS1 Qty	CS2 Qty	CS3 Qty	CS4 Qty
215	Reinforced Concrete Abutment	32	6	26	0	0 Feet

Element Number	Defect Type	Defect Description	CS	CS Qty	Maint Qty
215	Cracking (RC and Other)	12" hairline diagonal crack at West end	2	1	Feet
215	Cracking (RC and Other)	6' hairline horizontal crack with efflorescence in Bay 1	2	6	Feet
215	Cracking (RC and Other)	7' hairline horizontal crack with efflorescence in Bay 3	2	7	Feet
215	Cracking (RC and Other)	8' x 2' area of delaminated patch in Bay 2	2	8	Feet
215	Delamination/Spall	(2) up to 24" x 12" area of delamination in Bay 1	2	4	4 Feet

General Comments

Bent 3 Cap 1**Reinforced Concrete Pier Cap**

Element Number	Element Name	Total Qty	CS1 Qty	CS2 Qty	CS3 Qty	CS4 Qty
234	Reinforced Concrete Pier Cap	27	22	2	3	0 Feet

Element Number	Defect Type	Defect Description	CS	CS Qty	Maint Qty
234	Cracking (RC and Other)	30" up to 1/16" horizontal crack on Span 3 face	3	3	3 Feet
234	Exposed Rebar	(2) up to 3" x 6" x 1" deep spall with exposed rebar on West face of corbel	2	1	1 Feet
234	Exposed Rebar	4" x 6" x 1" deep spall with exposed rebar on Span 3 face at East end	2	1	1 Feet

General Comments**Bent 3 Pile 1****Reinforced Concrete Column**

Element Number	Element Name	Total Qty	CS1 Qty	CS2 Qty	CS3 Qty	CS4 Qty
205	Reinforced Concrete Column	1	0	0	1	0 Each

Element Number	Defect Type	Defect Description	CS	CS Qty	Maint Qty
205	Cracking (RC and Other)	3' up to 1/16" vertical crack on Span 4 face (East face similar)	3	1	6 Each
205	Abrasion/Wear (PSC/RC)	3' abrasion at waterline	2		Each

General Comments**Bent 3 Pile 2****Reinforced Concrete Column**

Element Number	Element Name	Total Qty	CS1 Qty	CS2 Qty	CS3 Qty	CS4 Qty
205	Reinforced Concrete Column	1	0	0	1	0 Each

Element Number	Defect Type	Defect Description	CS	CS Qty	Maint Qty
205	Delamination/Spall	4" x 4" x 3" deep spall on Span 3 face of corbel under strut	3		1 Each
205	Exposed Rebar	6" x 8" x 1" deep spall with exposed rebar on Span 3 face of corbel above strut	3	1	1 Each
205	Abrasion/Wear (PSC/RC)	3' abrasion at waterline	2		Each

General Comments

Elements Verified

Location	Name	Component	Element Name	Amount
Span 1	Deck	Reinforced Concrete Deck	Reinforced Concrete Deck	1537
Span 1	Beam 1	Plate Girder	Steel Open Girder/Beam	52
Span 1	Beam 2	Plate Girder	Steel Open Girder/Beam	52
Span 1	Beam 3	Plate Girder	Steel Open Girder/Beam	52
Span 1	Beam 4	Plate Girder	Steel Open Girder/Beam	52
Span 1	Left Bridge Rail	Concrete and Metal Railing	Other Bridge Railing	52
Span 1	Right Bridge Rail	Concrete and Metal Railing	Other Bridge Railing	52
Span 1	Expansion Joint	Standard Joint	Pourable Joint Seal	30
Span 1	Wearing Surface	Asphalt Wearing Surface	Wearing Surface	1451
Span 1	Far Bearing	Movable Bearing	Movable Bearing	1
Span 1	Near Bearing	Fixed Bearing	Fixed Bearing	1
Span 1	Near Bearing	Fixed Bearing	Fixed Bearing	1
Span 1	Far Bearing	Movable Bearing	Movable Bearing	1
Span 1	Far Bearing	Movable Bearing	Movable Bearing	1
Span 1	Near Bearing	Fixed Bearing	Fixed Bearing	1
Span 1	Near Bearing	Fixed Bearing	Fixed Bearing	1
Span 1	Far Bearing	Movable Bearing	Movable Bearing	1
Span 2	Deck	Reinforced Concrete Deck	Reinforced Concrete Deck	1492
Span 2	Beam 1	Plate Girder	Steel Open Girder/Beam	50
Span 2	Beam 2	Plate Girder	Steel Open Girder/Beam	50
Span 2	Beam 3	Plate Girder	Steel Open Girder/Beam	50
Span 2	Beam 4	Plate Girder	Steel Open Girder/Beam	50
Span 2	Left Bridge Rail	Concrete and Metal Railing	Other Bridge Railing	50
Span 2	Right Bridge Rail	Concrete and Metal Railing	Other Bridge Railing	50
Span 2	Expansion Joint	Standard Joint	Pourable Joint Seal	30
Span 2	Wearing Surface	Asphalt Wearing Surface	Wearing Surface	1409
Span 2	Far Bearing	Movable Bearing	Movable Bearing	1
Span 2	Near Bearing	Fixed Bearing	Fixed Bearing	1
Span 2	Near Bearing	Fixed Bearing	Fixed Bearing	1
Span 2	Far Bearing	Movable Bearing	Movable Bearing	1
Span 2	Near Bearing	Fixed Bearing	Fixed Bearing	1
Span 2	Far Bearing	Movable Bearing	Movable Bearing	1
Span 2	Far Bearing	Movable Bearing	Movable Bearing	1
Span 2	Near Bearing	Fixed Bearing	Fixed Bearing	1
Span 3	Deck	Reinforced Concrete Deck	Reinforced Concrete Deck	1492
Span 3	Beam 1	Plate Girder	Steel Open Girder/Beam	50
Span 3	Beam 2	Plate Girder	Steel Open Girder/Beam	50
Span 3	Beam 3	Plate Girder	Steel Open Girder/Beam	50
Span 3	Beam 4	Plate Girder	Steel Open Girder/Beam	50
Span 3	Left Bridge Rail	Concrete and Metal Railing	Other Bridge Railing	50
Span 3	Right Bridge Rail	Concrete and Metal Railing	Other Bridge Railing	50
Span 3	Expansion Joint	Standard Joint	Pourable Joint Seal	30
Span 3	Wearing Surface	Asphalt Wearing Surface	Wearing Surface	1409
Span 3	Near Bearing	Fixed Bearing	Fixed Bearing	1
Span 3	Far Bearing	Movable Bearing	Movable Bearing	1

Elements Verified

Location	Name	Component	Element Name	Amount
Span 3	Far Bearing	Movable Bearing	Movable Bearing	1
Span 3	Near Bearing	Fixed Bearing	Fixed Bearing	1
Span 3	Near Bearing	Fixed Bearing	Fixed Bearing	1
Span 3	Far Bearing	Movable Bearing	Movable Bearing	1
Span 3	Far Bearing	Movable Bearing	Movable Bearing	1
Span 3	Near Bearing	Fixed Bearing	Fixed Bearing	1
Span 4	Deck	Reinforced Concrete Deck	Reinforced Concrete Deck	1500
Span 4	Beam 1	Plate Girder	Steel Open Girder/Beam	51
Span 4	Beam 2	Plate Girder	Steel Open Girder/Beam	51
Span 4	Beam 3	Plate Girder	Steel Open Girder/Beam	51
Span 4	Beam 4	Plate Girder	Steel Open Girder/Beam	51
Span 4	Left Bridge Rail	Concrete and Metal Railing	Other Bridge Railing	51
Span 4	Right Bridge Rail	Concrete and Metal Railing	Other Bridge Railing	51
Span 4	Expansion Joint	Standard Joint	Pourable Joint Seal	30
Span 4	Expansion Joint	Standard Joint	Pourable Joint Seal	30
Span 4	Wearing Surface	Asphalt Wearing Surface	Wearing Surface	1416
Span 4	Near Bearing	Movable Bearing	Movable Bearing	1
Span 4	Far Bearing	Fixed Bearing	Fixed Bearing	1
Span 4	Far Bearing	Fixed Bearing	Fixed Bearing	1
Span 4	Near Bearing	Movable Bearing	Movable Bearing	1
Span 4	Near Bearing	Movable Bearing	Movable Bearing	1
Span 4	Far Bearing	Fixed Bearing	Fixed Bearing	1
Span 4	Far Bearing	Fixed Bearing	Fixed Bearing	1
Span 4	Near Bearing	Movable Bearing	Movable Bearing	1
Bent 1	Cap 1	Reinforced Concrete Pier Cap	Reinforced Concrete Pier Cap	27
Bent 1	Pile 1	Reinforced Concrete Column	Reinforced Concrete Column	1
Bent 1	Pile 2	Reinforced Concrete Column	Reinforced Concrete Column	1
End Bent 1	Cap 1	Reinforced Concrete Pier Cap	Reinforced Concrete Pier Cap	32
End Bent 1	Abutment	Reinforced Concrete Abutment	Reinforced Concrete Abutment	32
Bent 2	Cap 1	Reinforced Concrete Pier Cap	Reinforced Concrete Pier Cap	27
Bent 2	Pile 1	Reinforced Concrete Column	Reinforced Concrete Column	1
Bent 2	Pile 2	Reinforced Concrete Column	Reinforced Concrete Column	1
End Bent 2	Cap 1	Reinforced Concrete Pier Cap	Reinforced Concrete Pier Cap	32
End Bent 2	Abutment	Reinforced Concrete Abutment	Reinforced Concrete Abutment	32
Bent 3	Cap 1	Reinforced Concrete Pier Cap	Reinforced Concrete Pier Cap	27
Bent 3	Pile 1	Reinforced Concrete Column	Reinforced Concrete Column	1
Bent 3	Pile 2	Reinforced Concrete Column	Reinforced Concrete Column	1

General Inspection Notes

National Bridge and NC Inspection Items

Structure Number: 500085

Inspection Date: 04/09/2018

National Bridge Inventory Items

Item	Grade Scale	Grade
Item 58: Deck	0 - 9 , N	6
Item 59: Superstructure	0 - 9 , N	6
Item 60: Substructure	0 - 9 , N	6
Item 61: Channel and Channel Protection	0 - 9 , N	7
Item 62: Culvert	0 - 9 , N	N
Item 71: Waterway Adequacy	0 - 9 , N	7
Item 72: Approach Roadway Alignment	0 - 9 , N	8

Note: If NBI Inspection Item is not present, code NBI item with "N"

NC SMU Inspection Items

Item	Grade Scale	Grade	Maint. Qty.	Maint. Code
Deck Debris	G, F, P, or C	F	6021	3376
Drainage System	G, F, P, or C	F	32	3332
Utilities	G, F, P, or C			
Slope Protection	G, F, P, or C	F	1	3352
Scour	G, F, P, or C	G		
Wingwall	G, F, P, or C	F	3	3350
Field Scour Evaluation		G		
Drift	G, F, P, or C	G	0	3366
Fender System	G, F, P, or C		0	3364
Movable Span Machinery	G, F, P, or C			
Response to Live Load	G, F, P, or C	G		
Estimated Remaining Life	0 - 100 Years	10		
Superstructure Paint Code		A		

Note: If NC SMU Inspection Item is not present, leave NC SMU item blank

Inspection Information

Item	Grade Scale	Grade
Sign Noticed Issued	YES/NO	N
Priority Maintenance Request Submitted	YES/NO	Y
Inspection Time	Hours	5
Traffic Control Time	Hours	
Snooper Time	Hours	
Ladder Used	YES/NO	Y
Bucket Truck Used	YES/NO	N
Boat Used	YES/NO	N
Other Equipment Used	YES/NO	N

National Bridge and NC SMU Inspection Item Details

Structure Number: 500085

Inspection Date: 04/09/2018

Item	Deck Debris	Grade	F	Maint Code	3376	Qty.	6021
-------------	-------------	--------------	---	-------------------	------	-------------	------

Details Full length x 1' dirt and debris in West gutter

Item	Drainage System	Grade	F	Maint Code	3332	Qty.	32
-------------	-----------------	--------------	---	-------------------	------	-------------	----

Details (32) clogged deck drains

Item	Slope Protection	Grade	F	Maint Code	3352	Qty.	1
-------------	------------------	--------------	---	-------------------	------	-------------	---

Details 12" x 3" area of up to 24" undermining under End Bent 2 slope protection at East end (West end similar)

Item	Wingwalls	Grade	F	Maint Code	3350	Qty.	3
-------------	-----------	--------------	---	-------------------	------	-------------	---

Details 24" x 12" x 2" deep spall on Northwest wingwall

14" x 5" x 1" deep spall on Southeast wingwall

(2) up to 6" x 3" x 1" deep spalls on Southwest wingwall



Span 4 Right Bridge Rail: 2" x 8" x 10" deep spall with exposed rebar on concrete Post 7 (Post 6 similar)



Span 4 Right Bridge Rail: 5" x 4" x 1/2" deep spall on outside face of concrete rail



Expansion Joint : (2) up to 20" x 20" x 1/2" deep area of missing asphalt wearing surface along joint



Span 3 Wearing Surface: 6" x 6" area of hairline longitudinal and transverse cracks in East lane, 9' from Bent 2



Expansion Joint: 14' x 1' area of up to 1/8" transverse cracks in East lane



Full length x 1' dirt and debris in West gutter



Expansion Joint : (2) up to 36" x 7" x 1" deep area of missing asphalt wearing surface along joint



Span 2 Left Bridge Rail: (4) hairline vertical and transverse cracks on concrete rail and curb



Span 4 Left Bridge Rail: 6" x 1" x 1/2" deep spall with exposed rebar on top of curb, 7' from Bent 3



Span 4 Left Bridge Rail: 2" x 10" x 6" deep spall on concrete Post 7



Span 4 Left Bridge Rail: 22' scrapes on metal rail at End Bent 2



End Bent 2 Abutment/Backwall : (2) up to 24" x 12" area of delamination in Bay 1



End Bent 2 Abutment/Backwall : 7' hairline horizontal crack with efflorescence in Bay 3



12" x 3" area of up to 24" undermining under End Bent 2 slope protection at East end (West end similar)



24" x 12" x 2" deep spall on Northwest wingwall



Span 4 Beam 4: Full length peeling paint with rust on both flanges and web



Span 3 Beam 4 Far Bearing: Temporary repair - Plate bolted on left side of bearing



Bent 3 Pile 1: 3' up to 1/16" vertical crack on Span 4 face (East face similar)



Bent 3 Cap 1: 30" up to 1/16" horizontal crack on Span 3 face



Bent 3 Cap 1: 4" x 6" x 1" deep spall with exposed rebar on Span 3 face at East end



Bent 3 Pile 2: 4" x 4" x 3" deep spall on Span 3 face of corbel under strut



Bent 3 Pile 2: 6" x 8" x 1" deep spall with exposed rebar on Span 3 face of corbel above strut



Bent 3 Cap 1: (2) up to 3" x 6" x 1" deep spall with exposed rebar on West face of corbel



Span 1 Beam 1: Temporary Repair - 7" x 31" area of replaced beam at End Bent 1



End Bent 1 Cap 1: 16" up to 1/16" diagonal crack under Beam 4



Span 1 Beam 2: Temporary Repair - 20" x 12" plate welded to bottom flange at Bent 1



Span 1 Beam 1 Near Bearing: Peeling paint with rust



Span 1 Beam 2: 48' peeling paint with rust on web



Bent 1 Cap 1: 12" x 24" area of delamination with hairline vertical, diagonal cracks on Span 1 face at West end



Bent 1 Pile 1: 12" x 5" x 1" deep spall with exposed rebar on Span 1 face (PM)



Looking South



Northeast delineator (Northwest similar)



West bridge rail (East bridge rail similar)



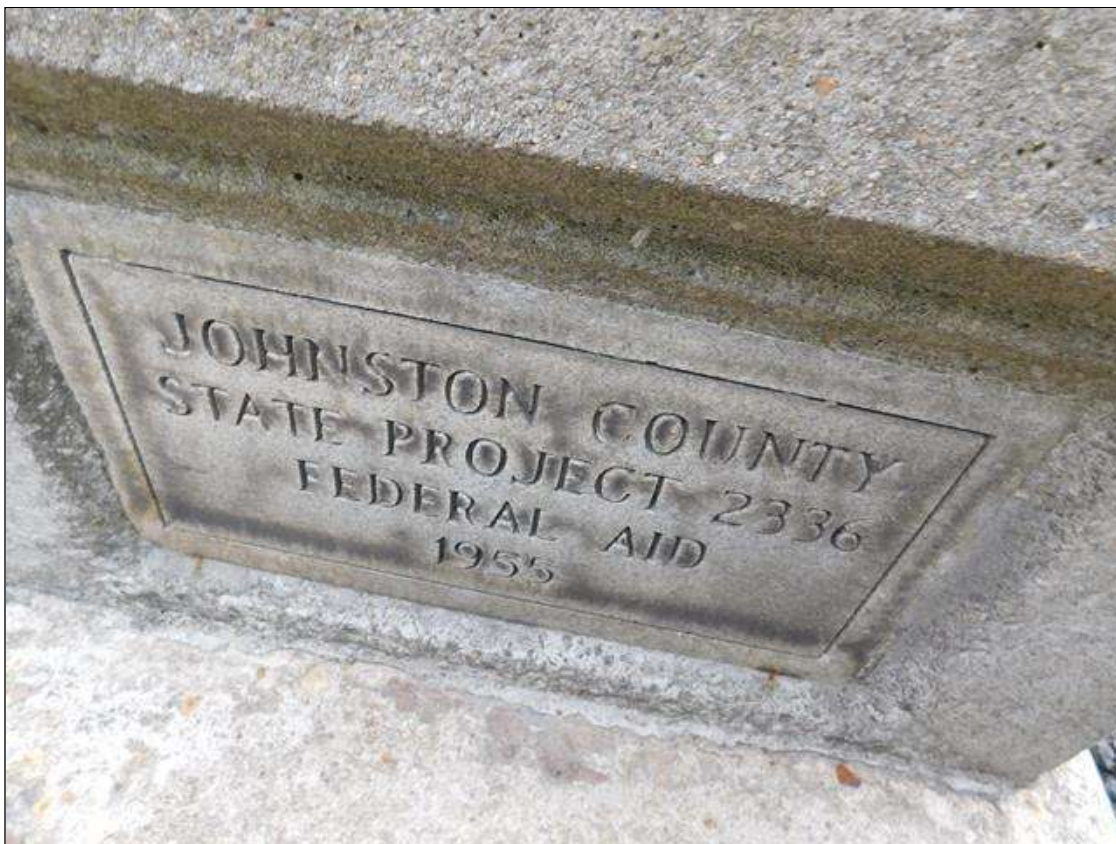
Downstream view, looking East



Bent 1 joint (Bents 2 and 3 joints similar)



End Bent 1 joint (End Bent 2 joint similar)



Bridge plaque at Southeast corner (Northwest corner similar)



Looking North



Upstream view, looking West



Northwest wingwall (All others similar)



End Bent 2 (End Bent 1 similar)



Intermediate diaphragm



End Bent bearing (Beam 2, End Bent 2 shown)



Bent bearing (Beam 4, Bent 3 shown)



Bent 3 (Bents 1 and 2 similar)



Upstream view, looking East



Downstream profile, looking West



Underside of superstructure (Span 3 shown)

Stream Bed Soundings

(Profile diagram on following sheet)

County **JOHNSTON**

Structure Number: **500085**

Inspection Date **04/11/2018**

Sounding recorded from: **Top of Bridge Rail**

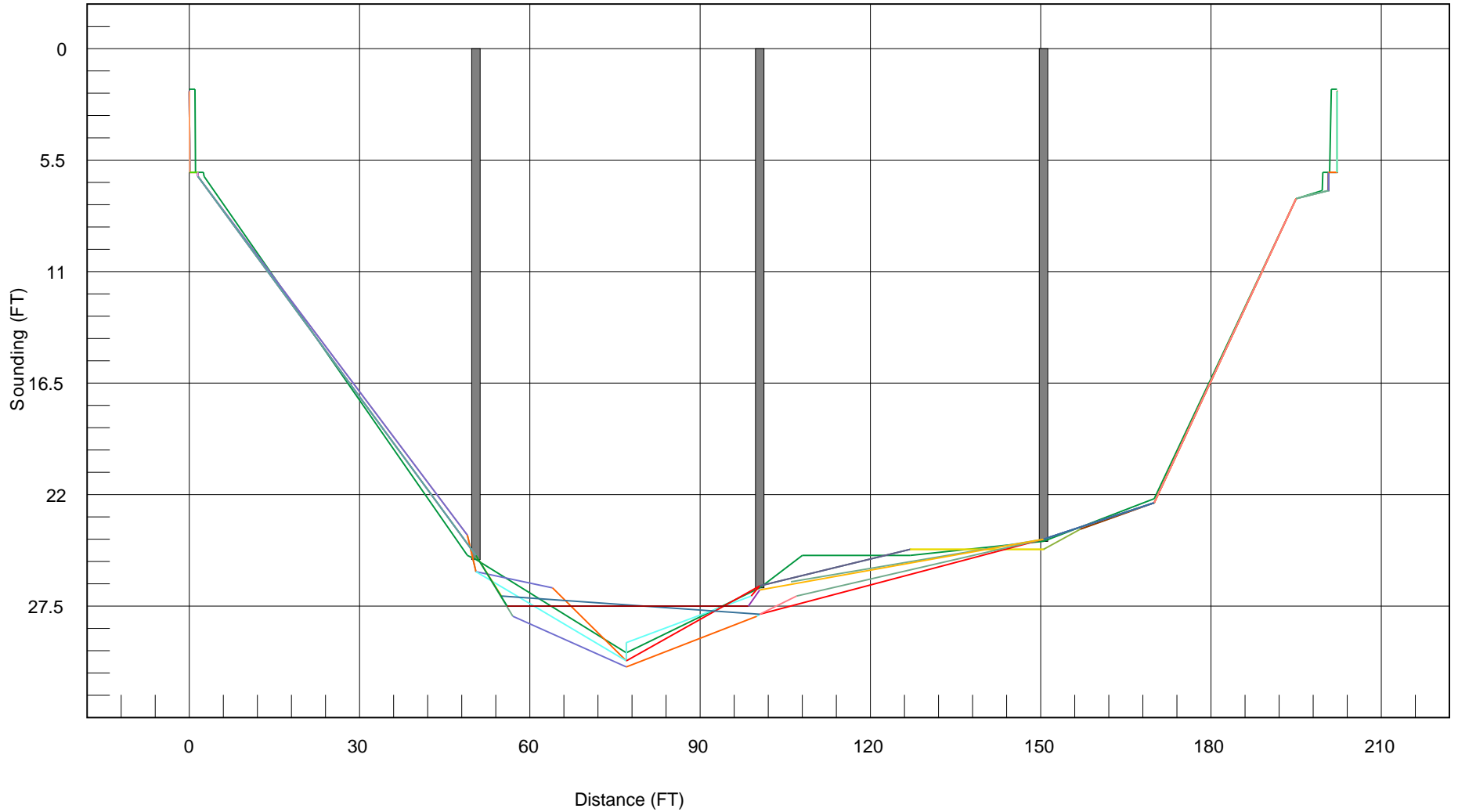
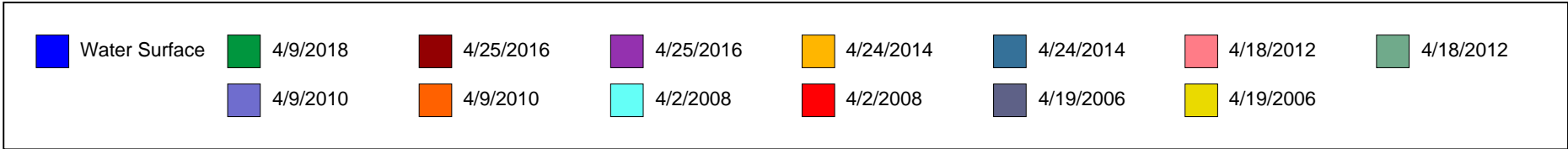
Highwater Mark Distance

Location of Highwater Mark

Distance (Station) ft.	Downstream Sounding ft.	Upstream Sounding ft.	Description
0.000	2.000	0.000	TOP OF BACKWALL
1.000	2.000	0.000	TOP OF BACKWALL
1.100	6.100	0.000	TOP OF CAP
2.500	6.100	0.000	TOP OF CAP
2.600	6.300	6.400	FACE OF CAP
49.000	25.000	0.000	WATER SURFACE/WATER EDGE
50.500	25.200	26.800	Bent 1
77.000	29.800	0.000	
100.500	26.600	28.500	Bent 2
108.000	25.000	0.000	WATER SURFACE/WATER EDGE
127.000	25.000	0.000	
150.500	24.300	24.700	Bent 3
170.000	22.200	0.000	
195.000	7.400	0.000	
199.600	7.000	7.100	FACE OF CAP
199.700	6.100	0.000	TOP OF CAP
200.900	6.100	0.000	TOP OF CAP
201.200	2.000	0.000	TOP OF BACKWALL
202.200	2.000	0.000	TOP OF BACKWALL

STREAMBED PROFILE (Downstream)

Top of Rail = 0FT (Sounding)

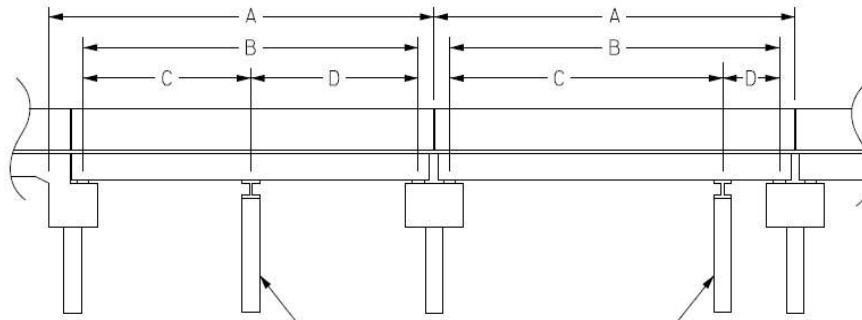


Structure Data Worksheet

Span Profile

County: **JOHNSTON**

Structure Number: **500085**



A: SPAN LENGTH
 B: BEARING TO BEARING
 C: DISTANCE FROM NEAR BEARING
 D: DISTANCE TO FAR BEARING

Span Number	Span Length	Bearing to Bearing	Crutch/ Helper Bent	Distance to Near Bearing	Distance to Far Bearing
1	51.500	49.800			
2	50.000	49.000			
3	50.000	49.000			
4	50.250	48.250			

NATIONAL BRIDGE INVENTORY----- STRUCTURE INVENTORY AND APPRAISAL

Run Date: 04/12/2019

IDENTIFICATION

(1) STATE NAME -NORTH CAROLINA BRIDGE **500085**
 (8) STRUCTURE NUMBER(FEDERAL) 000000001010085
 (5) INVENTORY ROUTE (ON/UNDER) - ON 11000950
 (2) STATE HIGHWAY DEPARTMENT DISTRICT 3
 (3) COUNTY CODE 101 (4) PLACE CODE 24520
 (6) FEATURE INTERSECTED - BLACK CREEK
 (7) FACILITY CARRIED I95 SBL
 (9) LOCATION 0.8 MI.N.JCT US301/701
 (11)MILEPOINT 90.5
 (16)LAT 35° 27' 59.08" (17)LONG 78° 22' 50.65"
 (98)BORDER BRIDGE STATE CODE PCT SHARE
 (99)BORDER BRIDGE STRUCTURE NO

SUFFICIENCY RATING = 48.24
 STATUS = Structurally Deficient

CLASSIFICATION **CODE**

(112)NBIS BRIDGE SYSTEM - YES
 (104)HIGHWAY SYSTEM Is on the NHS 1
 (26) FUNCTIONAL CLASS - Arterial - Interstate 11
 (100)STRAHNET HIGHWAY - Interstate STRAHNET Route 1
 (101)PARALLEL STRUCTURE - Left Parallel Structure L
 (102)DIRECTION OF TRAFFIC - 1-way Traffic 1
 (103)TEMPORARY STRUCTURE - Temporary Structure/Conditions T
 (110)DESIGNATED NATIONAL NETWORK - On the National Network 1
 (20) TOLL On Free Road 3
 (31) MAINTAIN - State Highway Agency 01
 (22) OWNER - State Highway Agency 01
 (37) HISTORICAL SIGNIFICANCE - Not Eligible 5

STRUCTURE TYPE AND MATERIAL

(43) STRUCTURE TYPE MAIN: Steel
 TYPE - Stringer Mutlibeam or Girder CODE 302
 (44) STRUCTURE TYPE APPR :
 TYPE - CODE 000
 (45) NUMBER OF SPANS IN MAIN UNIT 4
 (46) NUMBER OF APPROACH SPANS
 (107)DECK STRUCTURE TYPE - 1 CODE
 (108)WEARING SURFACE / PROTECTIVE SYSTEM :
 (A) TYPE OF WEARING SURFACE - Bituminous CODE 6
 (B) TYPE OF MEMBRANE - None CODE 0
 (C) TYPE OF DECK PROTECTION - None CODE 0

CONDITION **CODE**

(58) DECK 6
 (59) SUPERSTRUCTURE 4
 (60) SUBSTRUCTURE 6
 (61) CHANNEL & CHANNEL PROTECTION 7
 (62) CULVERTS N

LOAD RATING AND POSTING **CODE**

(31) DESIGN LOAD HS 20 + MOD 6
 (63) OPERATING RATING METHOD - Load Factor 1
 (64) OPERATING RATING - HS-37 66
 (65) INVENTORY RATING METHOD - Load Factor 1
 (66) INVENTORY RATING - HS-22 39
 (70) BRIDGE POSTING - No Posting Required 5
 (41) STRUCTURE OPEN, POSTED ,OR CLOSED D
 DESCRIPTION - Open Temporary Shoring

AGE AND SERVICE

(27) YEAR BUILT 1955
 (106)YEAR RECONSTRUCTED
 (42) TYPE OF SERVICE : ON - Highway
 UNDER - Waterway CODE 15
 (28) LANES: ON STRUCTURE 2 UNDER STRUCTURE 0
 (29) AVERAGE DAILY TRAFFIC 23000
 (30) YEAR OF ADT 2017 (109) TRUCK ADT PCT 16%
 (19) BYPASS OR DETOUR LENGTH 1 MI

APPRAISAL **CODE**

(67) STRUCTURAL EVALUATION 4
 (68) DECK GEOMETRY 3
 (69) UNDERCLEARANCES,VERTI & HORIZ N
 (71) WATERWAY ADEQUACY 7
 (72) APPROACH ROADWAY ALIGNMENT 8
 (36) TRAFFIC SAFETY FEATURES 0111
 (113)SCOUR CRITICAL BRIDGES 8

GEOMETRIC DATA

(48) LENGTH OF MAXIMUM SPAN 50 FT
 (49) STRUCTURE LENGTH 202 FT
 (50)CURB OR SIDEWALK: LEFT 0 FT RIGHT 0 FT
 (51) BRIDGE ROADWAY WIDTH CURB TO CURB 28.167 FT
 (52) DECK WIDTH OUT TO OUT 33.5 FT
 (32) APPROACH ROADWAY WIDTH (W/SHOULDERS) 28 FT
 (33) BRIDGE MEDIAN - Open Median CODE 1
 (34) SKEW 0° (35) STRUCTURE FLARED 0
 (10) INVENTORY ROUTE MIN VERT CLEAR 999.9 FT
 (47) INVENTORY ROUTE TOTAL HORIZ CLEAR 28.167 FT
 (53) MIN VERT CLEAR OVER BRIDGE RDWY 999.9 FT
 (54) MIN VERT UNDERCLEAR REF Not a Highway or Railroad 0 FT
 (55) MIN LAT UNDERCLEAR RT REF Not a Highway or Railroad 000 FT
 (56) MIN LAT UNDERCLEAR LT REF - 000 FT

PROPOSED IMPROVEMENTS

(75) TYPE OF WORK - CODE
 (76) LENGTH OF STRUCTURE IMPROVEMENT
 (94) BRIDGE IMPROVEMENT COST
 (95) ROADWAY IMPROVEMENT COST
 (96) TOTAL PROJECT COST
 (97) YEAR OF IMPROVEMENT COST ESTIMATE
 (114)FUTURE ADT 46000 (115) YEAR FUTURE ADT 2025

INSPECTIONS

(90) INSPECTION DATE 04/09/2018
 (92) CRITICAL FEATURE INSPECTION : (93) CFI DATE
 A) FRACTURE CRIT DETAIL - NO A)
 B) UNDERWATER INSP - NO B)
 C) OTHER SPECIAL INSP NO C)
 SCOUR

NAVIGATION DATA

(38) NAVIGATION CONTROL - No Navigational Control CODE 0
 (111)PIER PROTECTION - CODE
 (39) NAVIGATION VERTICAL CLEARANCE 0
 (116)VERT - LIFT BRIDGE NAV MIN VERT CLEAR FT
 (40) NAVIGATION HORIZONTAL CLEARANCE 0 FT

BRIDGE MANAGEMENT UNIT

DATA ON EXISTING STRUCTURE

Run Date: 04/12/2019

COUNTY : JOHNSTON DIVISION : 4 DISTRICT : 3 STRUCTURE NUMBER : 500085 LENGTH : 202 FEET

ROUTE CARRIED : I95 SBL FEATURE INTERSECTED : BLACK CREEK

LOCATED : 0.8 MI.N.JCT US301/701 BRIDGE NAME : CITY : *FOUR OAKS

FUNC. CLASS : 11 SYST.ON : FA SYST.UNDER : NFA ADT & YR : 23000 2017 RAIL TYPE : LT 333 RT 333

BUILT : 1955 BY : SHPWC PROJ : 2336 FED.AID PROJ : DESIGN LOAD : HS 20 + MOD

REHAB : BY : PROJ : ALIGNMENT : TAN. SKEW : 90 LANES : ON 2 UNDER 0

NAVIGATION : VC 0 FT HC 0 FT HT. CRN. TO BED : 28 FT WATER DEPTH : 5 FT

SUPERSTRUCTURE : RC DECK ON I-BEAMS

SUBSTRUCTURE : EBTS:RC CAP/H-PILES @ 8'CTS;IBTS:RCP&BEAM

SPANS : 1@51'6", 2@50', 1@50'3"

BEAMS OR GIRDERS : 4 LINES W33X130 I-BEAMS @ 8'CENTERS

FLOOR : 7 RC/4" AWS ENCROACHMENT : DECK (OUT TO OUT) : 33.5 FT

CLEAR ROADWAY : 28.167 FT BETWEEN RAILS : 28.167 FT SIDEWALK OR CURB : LT 0 FT RT 0 FT

VERT.CL.OVER : 999.9 FT

INV.RTG. : HS-22 OPE.RTG. : HS-37 CONTR.MEMBER : I-Bm Ext POSTED : SV TTST DATE

SYSTEM : Primary Interstate GREEN LINE ROUTE : Y

UNDER ROUTES AND CLEARANCES

REMARKS :

BRIDGE INSPECTOR'S RECOMMENDATION FOR MAINTENANCE REPAIRS

Bridge: 500085

County JOHNSTON

Date: 04/09/2018

These Repairs Should Be Made Within Twelve Months From Date Of This Inspection

MMS Code	Description of Function	Unit	Quantity	Remarks	Est. Cost
3348	Maintain Concrete Substructure Components	LF	1	Bent 1 Pile 1: 12" x 5" x 1" deep spall with exposed rebar on Span 1 face (PM)	

Key



Priority Maintenance Item



Critical Finding Item



Priority Maintenance Level Not Determined

BRIDGE INSPECTOR'S RECOMMENDATION FOR PRIORITY MAINTENANCE REPAIRS

Bridge: 500085 County JOHNSTON

THE FOLLOWING MAINTENANCE ITEMS HAVE BEEN SUBMITTED IN CONJUNCTION WITH A PRIORITY MAINTENANCE REQUEST

MMS Code	MMS Description	Quantity
3348	Maintain Concrete Substructure Components	1 LF
Location:		
Bent/Span No.		
Priority Level	Status	
Recommended	Routine Maintenance	
Submitted Date:	Submitted By:	Assisted By:
04/13/2018	Cesar O Cuevas	
Details		
Bent 1 Pile 1: 12" x 5" x 1" deep spall with exposed rebar on Span 1 face (PM)		

Bridge Inspection Field Sketch



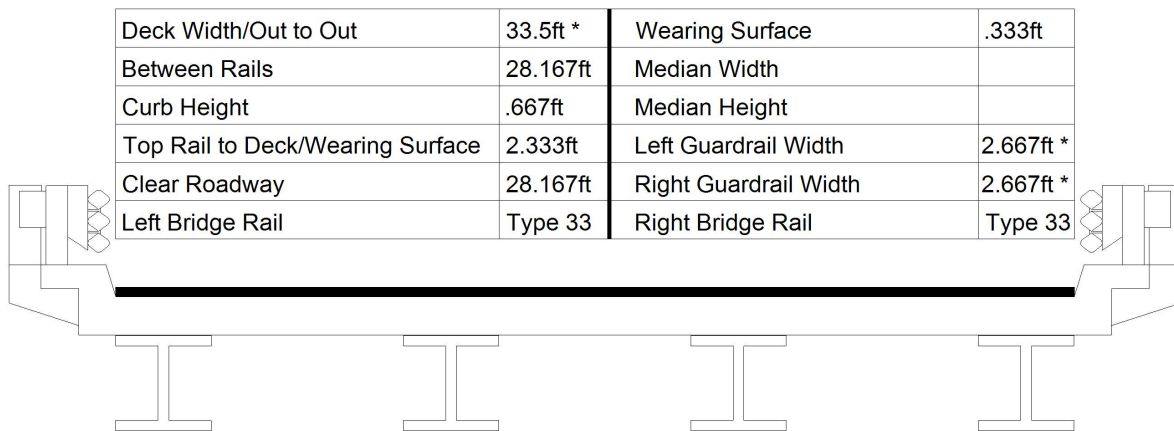
Roadway	24ft Wide	2 Paved Lanes	Looking South *
Left Shoulder	2ft Wide *	2ft Paved *	
Right Shoulder	2ft Wide *	2ft Paved *	
Left Guardrail	2ft from road *		
Right Guardrail	2ft from road *		

* Measurement modified

SKETCH MODIFIED 4/9/18 BY COC

Title APPROACH ROADWAY		Description LOOKING SOUTH	
Bridge No: 500085	Drawn By: GGW	Date: 04/13/2006	File Name: S0214000202

Bridge Inspection Field Sketch



Measurements for Span #	1		
Deck Thickness	.583	Left Overhang	4.75 *
Top of Rail to Bottom of Beam	5.833	Right Overhang	4.75 *

Beam No	Beam Type	Spacing	Comments
1	Steel I Beam	8ft	W33 X 130 IBEAM
2	Steel I Beam	8ft	W33 X 130 IBEAM
3	Steel I Beam	8ft	W33 X 130 IBEAM
4	Steel I Beam		W33 X 130 IBEAM

* Measurement modified

SKETCH MODIFIED 4/9/18 BY COC

Title

TYPICAL SECTION

Description

LOOKING NORTH

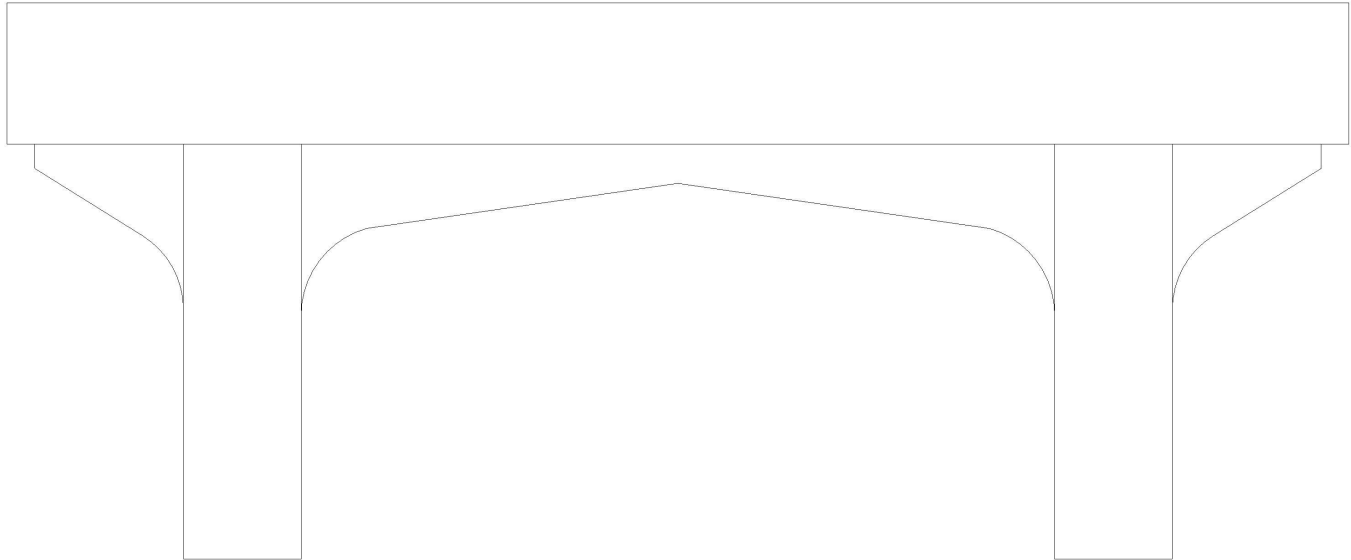
Bridge No: 500085

Drawn By: GGW

Date: 04/13/2006

File Name: S0214000203

Bridge Inspection Field Sketch



Cap Information			Material Cast-in-Place Concrete							
Length	Width	Height	Left Overhang	Right Overhang	Left Beam to End of Cap.	Right Beam to End of Cap.				
27.000 ft.	2.500 ft.	2.500 ft.	5.000 ft.	5.000 ft.	1.500 ft.	1.500 ft.				
Subcap Information			Material							
Length	Width	Height	Left Overhang	Right Overhang	Left Pile to Splice.					
Sill Information			Material							
Length	Width	Height								
Pile #	Material	Spacing	Width/Dia.	Height	Length	Orientation	Driven?	Replacement?	Removed?	Collar?
1	Concrete	17 ft.	2.333 ft.			Vertical	No	No	No	No
2	Concrete		2.333 ft.			Vertical	No	No	No	No
							SKETCH VERIFIED 4/9/18 BY COC			
Bent/Abutment #: 1			Similar Bents: BENTS 2 & 3							

Title				Description			
SUBSTRUCTURE				INTERIOR BENT 1			
CHECKED BY: WCM 4/25/2016							
Bridge No: 500085	Drawn By: WTW	Date: 4/23/2014	File Name: S0018014612				