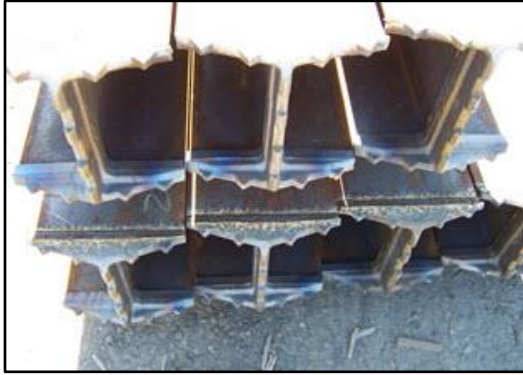




North Carolina Department of Transportation
Materials and Tests Unit – Product Evaluation Program
Innovative Technologies and Products Awareness Report
April 6th, 2022



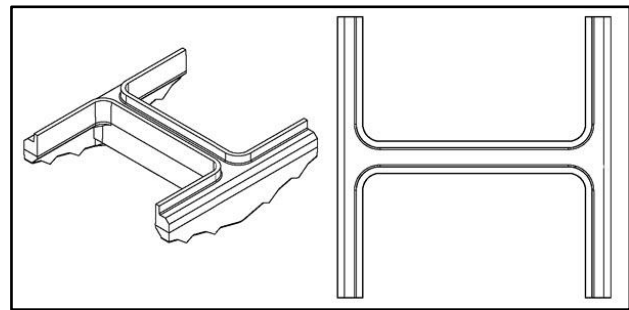
PRODUCT INNOVATION – H-Pile Points (10” and 12”)



Stack of H-Piles with CSC pile tips welded on their ends – image from CSC website

H-Pile Points are manufactured by the Eagle Foundry in Eagle Creek, Oregon and are distributed through Construction Supply Company (CSC) out of Tualatin, Oregon. They are currently approved and listed on the Approved Products List (APL) as NP21-9031 (12” version), and NP21-9034 (10” version). The H-pile points are used to strengthen pile ends by absorbing impact and distributing load uniformly thereby reducing risk of pile failure. They also save time/money by driving piles more efficiently and they protect the piles from damage due to underground obstructions. For more information, please visit:

http://www.cscinc.biz/Heavy_Duty_H-Pile_Tip_teeth.html



CAD drawing of H-Pile point - image from CSC H-Pile point data sheet

PRODUCT HIGHLIGHT – E-TUFF® 7097



Workers applying and spreading E-TUFF® 7097 on a bridge deck – image from PSI

E-TUFF® 7097 is manufactured by Poly-Tuff Systems International (PSI) Highway Division out of Las Vegas, Nevada. It is currently approved for use as an epoxy overlay to maintain bridge decks and is listed on the APL as NP21-9029. E-Tuff® 7097 is a two component, 1:1 ratio, 100% solids, low modulus, low viscosity, moisture tolerant, rapid setting, adhesive and epoxy binder. It is used primarily for bonding skid resistant materials to hardened concrete and as a binder in epoxy mortars. It has a gel time of 20 minutes and a cure time of 2-6 hours depending upon ambient temperatures. For more information, please visit:

https://polytuffus.com/highway_division/epoxies.php