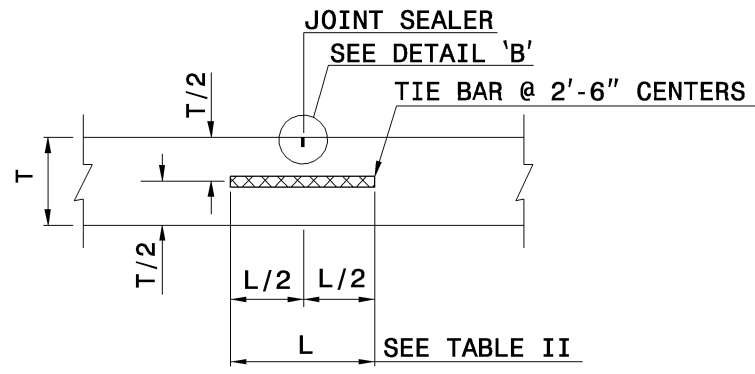
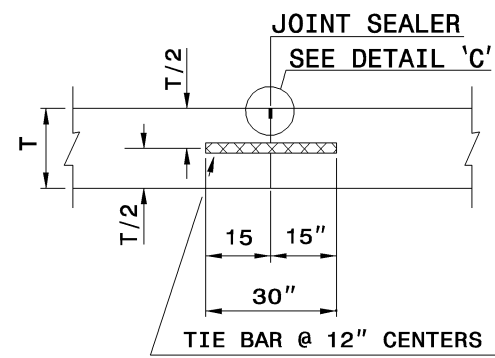


LONGITUDINAL CONSTRUCTION JOINT



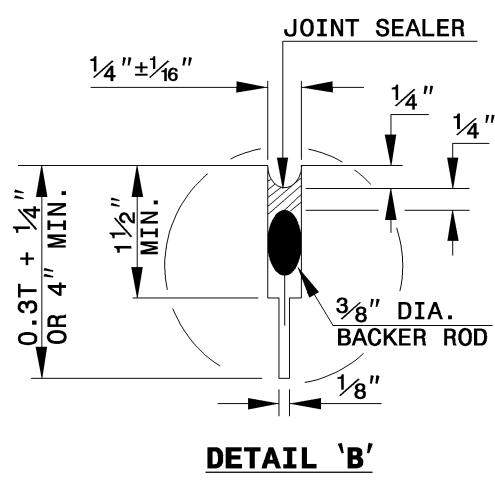
LONGITUDINAL JOINT



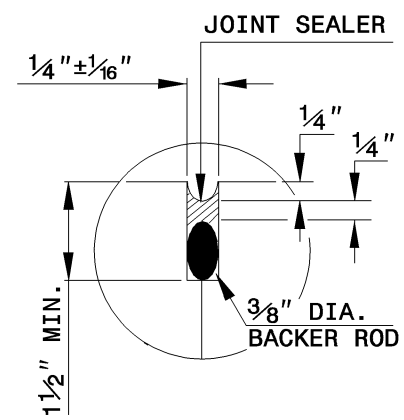
EMERGENCY TRANSVERSE CONSTRUCTION JOINT

GENERAL NOTES:

- CONSTRUCT TRANSVERSE CONSTRUCTION JOINTS AT THE END OF EACH DAY'S OPERATION (PLANNED JOINT) OR WHEN THE PLACING OF CONCRETE IS SUSPENDED FOR MORE THAN 30 MINUTES (EMERGENCY JOINT).
- USE AN APPROVED HEADER AT EMERGENCY JOINTS STD. DWG. 700.04 AND DESIGNED TO PERMIT THE PLACEMENT OF AND CORRECTLY HOLD IN PLACE TIE BARS.
- USE TIE BARS OF THE SAME DIAMETER AS DOWEL BARS FOR EMERGENCY TRANSVERSE CONSTRUCTION JOINTS.
- LOCATE PLANNED TRANSVERSE CONSTRUCTION JOINTS AT THE SPACING REQUIRED FOR CONTRACTION JOINTS. USE AN APPROVED METHOD OF INSTALLING DOWELS IN ALL PLANNED TRANSVERSE CONSTRUCTION JOINTS.
- DO NOT LOCATE EMERGENCY TRANSVERSE CONSTRUCTION JOINTS LESS THAN 6' FROM ANY CONTRACTION JOINT OR PLANNED CONSTRUCTION JOINT.
- DO NOT PLACE TIE BARS IN LONGITUDINAL JOINTS WITHIN 1'-4" OF A TRANSVERSE JOINT.
- WHEN UTILIZING AN EARLY ENTRY SAW, CUT THE JOINT TO A MINIMUM DEPTH OF 4".



DETAIL 'B'



DETAIL 'C'

TABLE II - LONGITUDINAL TIE BARS		
SLAB THICKNESS	TIE BAR DIA. "D"	TIE BAR LENGTH "L"
8 1/2" OR LESS	1/2"	30"
9" OR ABOVE	5/8"	30"