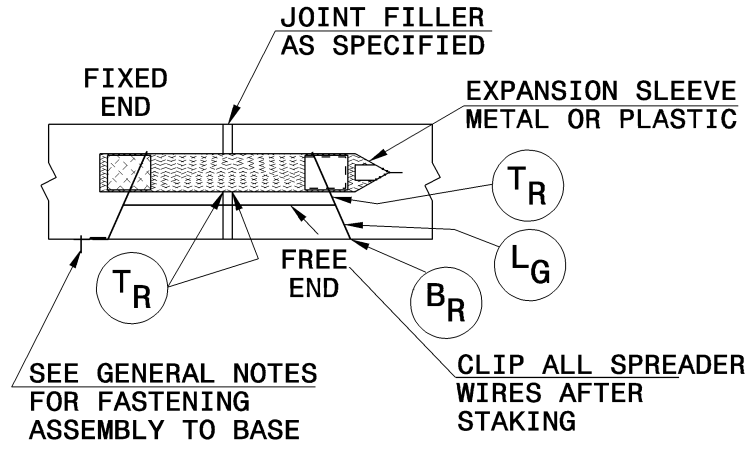
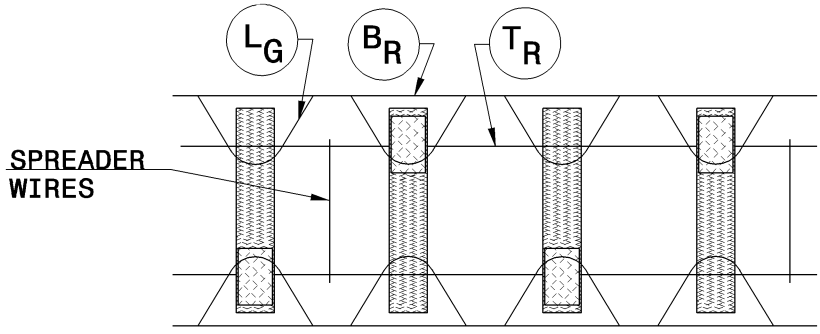


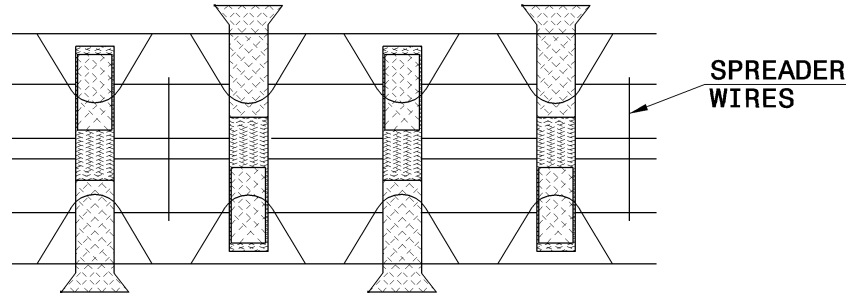
SECTION - CONTRACTION



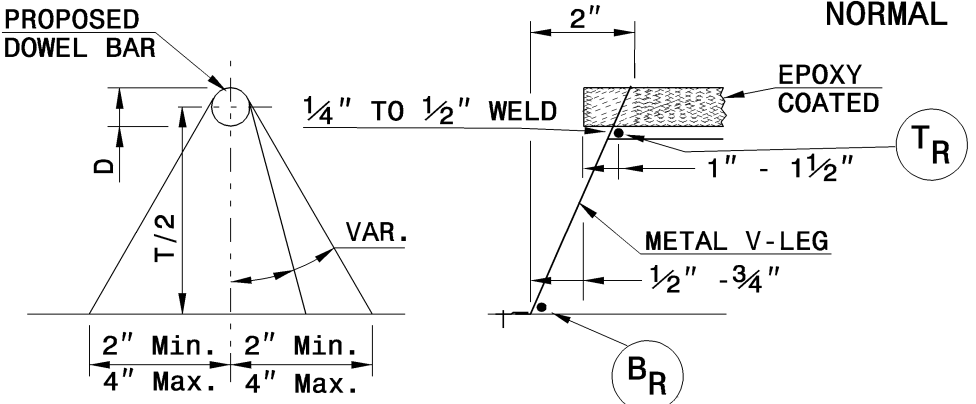
SECTION - EXPANSION



PARTIAL PLAN CONTRACTION
NORMAL



PARTIAL PLAN EXPANSION
NORMAL



CROSS SECTIONAL VIEWS