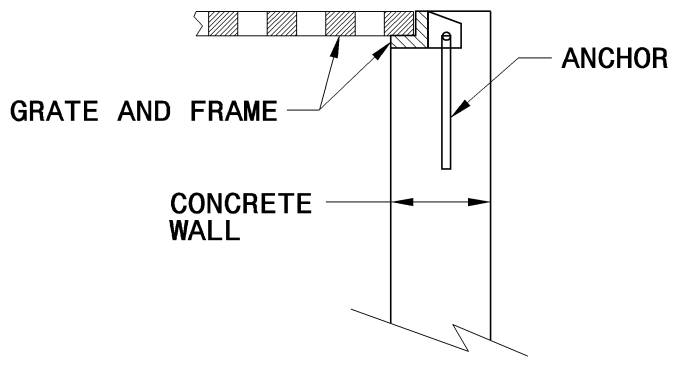
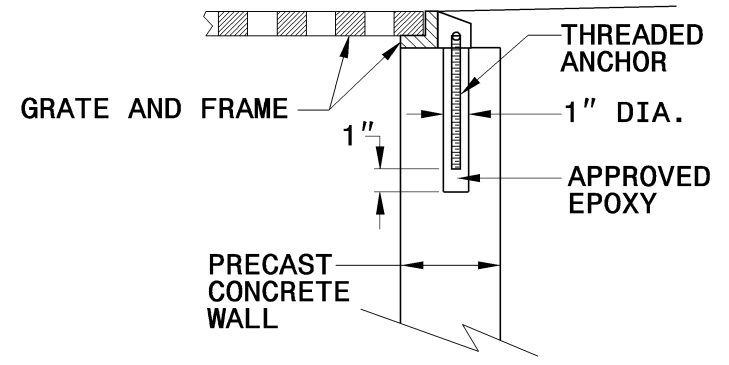


BRICK MASONRY CONSTRUCTION



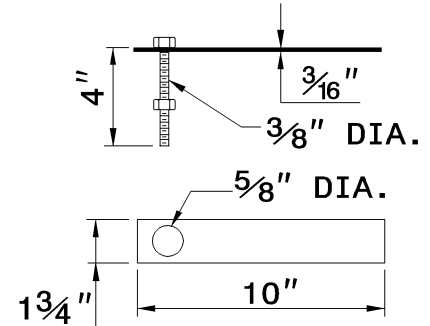
CONCRETE CONSTRUCTION



PRECAST CONCRETE CONSTRUCTION

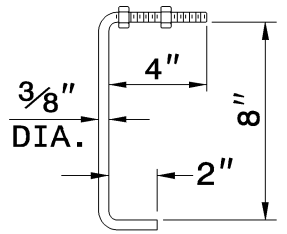
DETAIL SHOWING ANCHORAGE OF FRAME FOR GRATED DROP INLET

NOTE:
CONSTRUCT GRATED DROP INLET TO COINCIDE WITH NORMAL OR SUPERELEVATED SHOULDER OR PAVEMENT SLOPE.



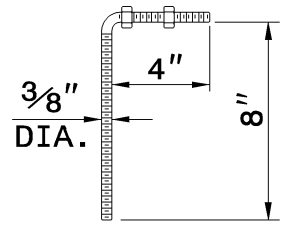
MASONRY ANCHOR

3/8" DIA. BOLT WITH PLATE



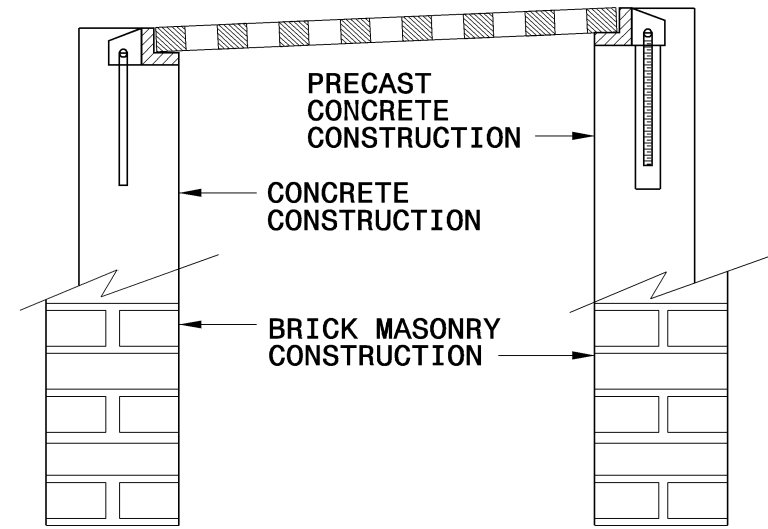
CONCRETE ANCHOR

3/8" DIA. BENT BAR



PRECAST CONCRETE ANCHOR

3/8" DIA. BENT BAR



FRAME AND GRATE INSTALLATION FOR NORMAL CROWN AND SUPERELEVATED SECTIONS