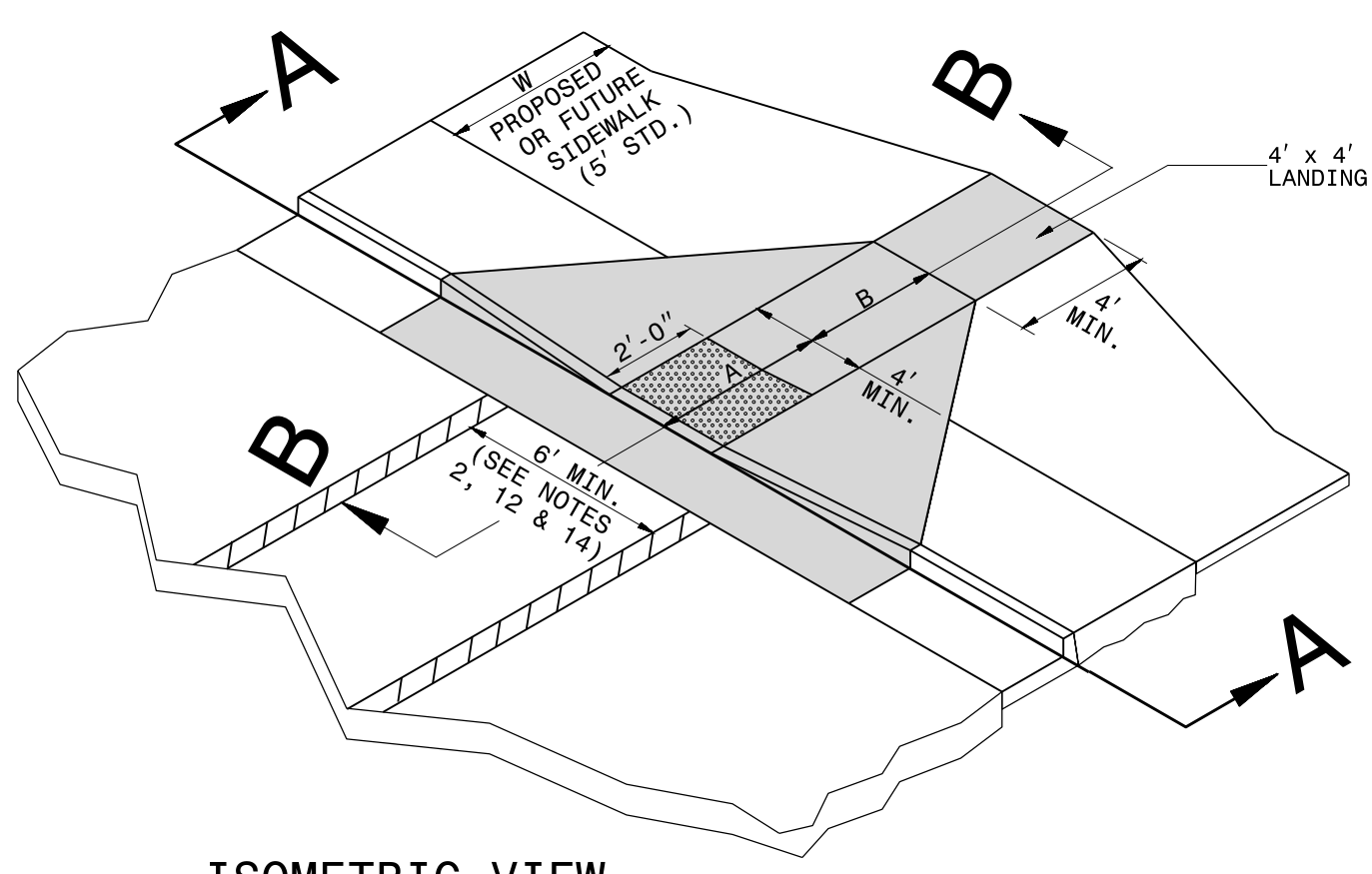


STATE OF NORTH CAROLINA
 DEPT. OF TRANSPORTATION
 DIVISION OF HIGHWAYS
 RALEIGH, N.C.

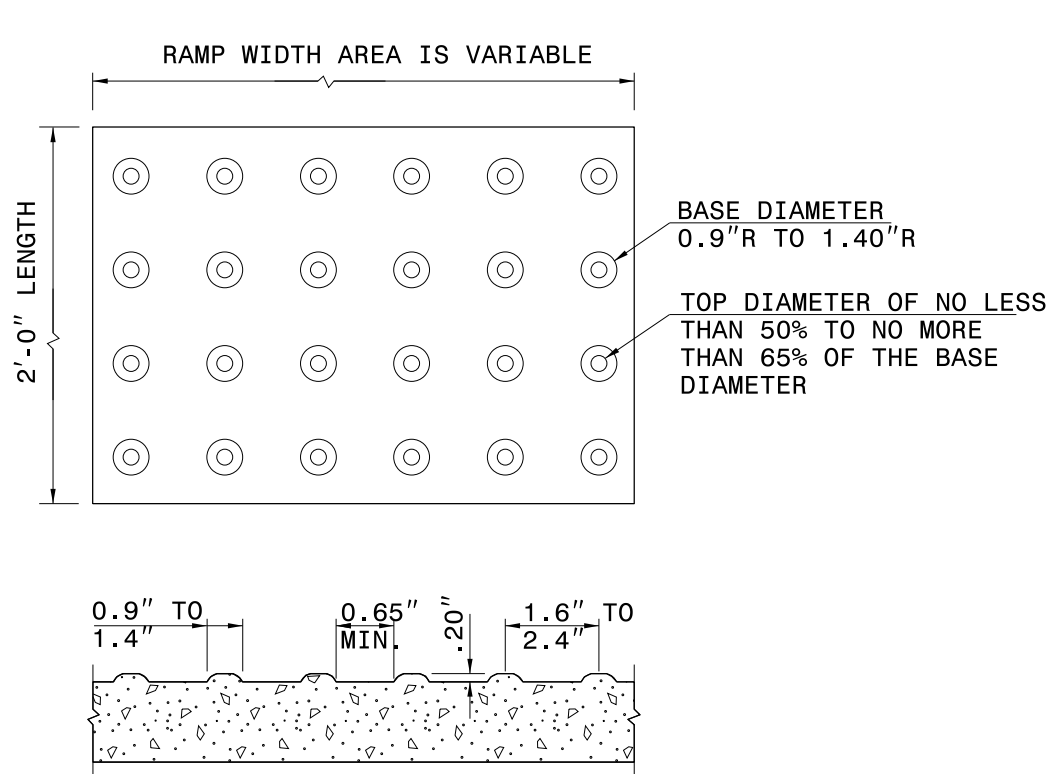
ENGLISH DETAIL DRAWING FOR
CURB RAMP
 PROPOSED CURB AND GUTTER

SHEET 1 OF 3
848D05



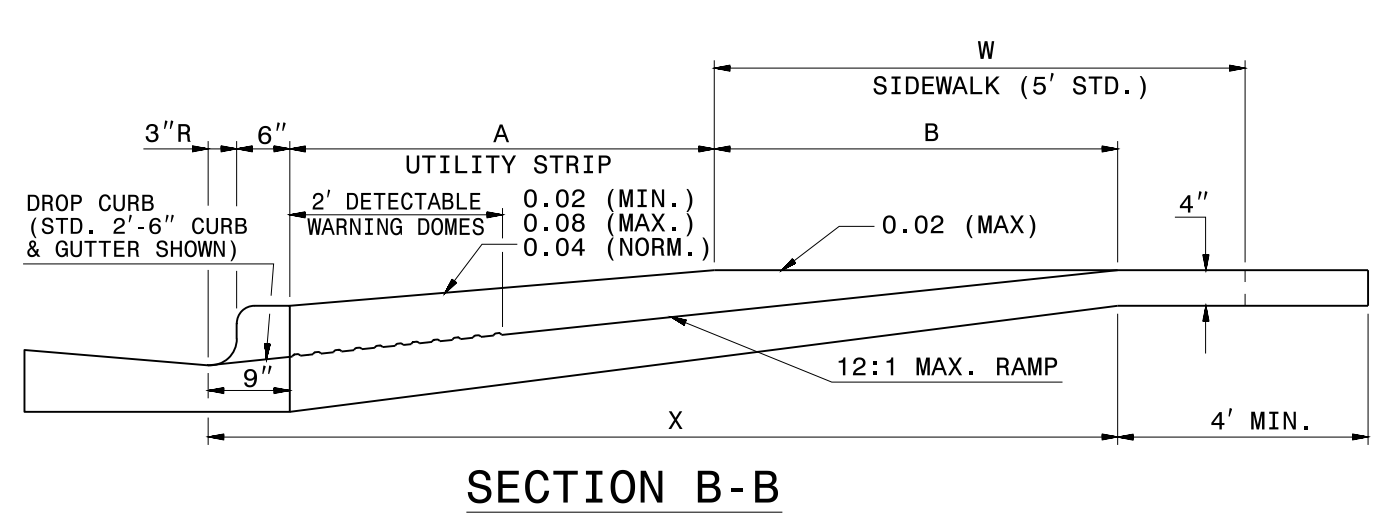
PAY LIMITS FOR CURB RAMP

- NOTES:
1. DETECTABLE WARNING DOMES WILL COVER 2'-0" LENGTH AND FULL WIDTH OF THE RAMP FLOOR AS SHOWN ON THE DETAILS.
 2. DETECTABLE WARNING DOMES WILL CONTRAST VISIBILITY WITH ADJOINING SURFACE, EITHER LIGHT-ON-DARK, OR DARK-ON-LIGHT SEQUENCE COVERING THE ENTIRE RAMP.

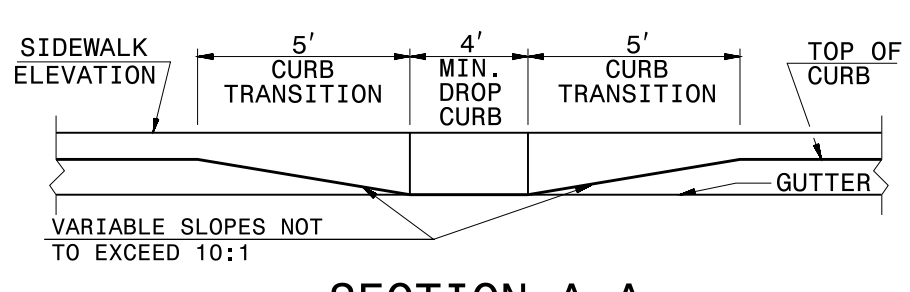


W	A	W+A+9"	X	B
5'	0.0'	5.8'	5.8'	5.0'
6'	0.0'	6.8'	6.8'	6.0'
7'	0.0'	7.8'	7.3'	6.5'
8'	0.0'	8.8'	7.3'	6.5'
5'	2.0'	7.8'	7.8'	5.0'
5'	2.5'	8.3'	8.1'	4.8'
5'	3.0'	8.8'	8.3'	4.4'
5'	3.5'	9.3'	8.4'	4.1'
5'	4.0'	9.8'	8.6'	3.8'
5'	4.5'	10.3'	8.7'	3.4'
5'	5.0'	10.8'	8.9'	3.1'

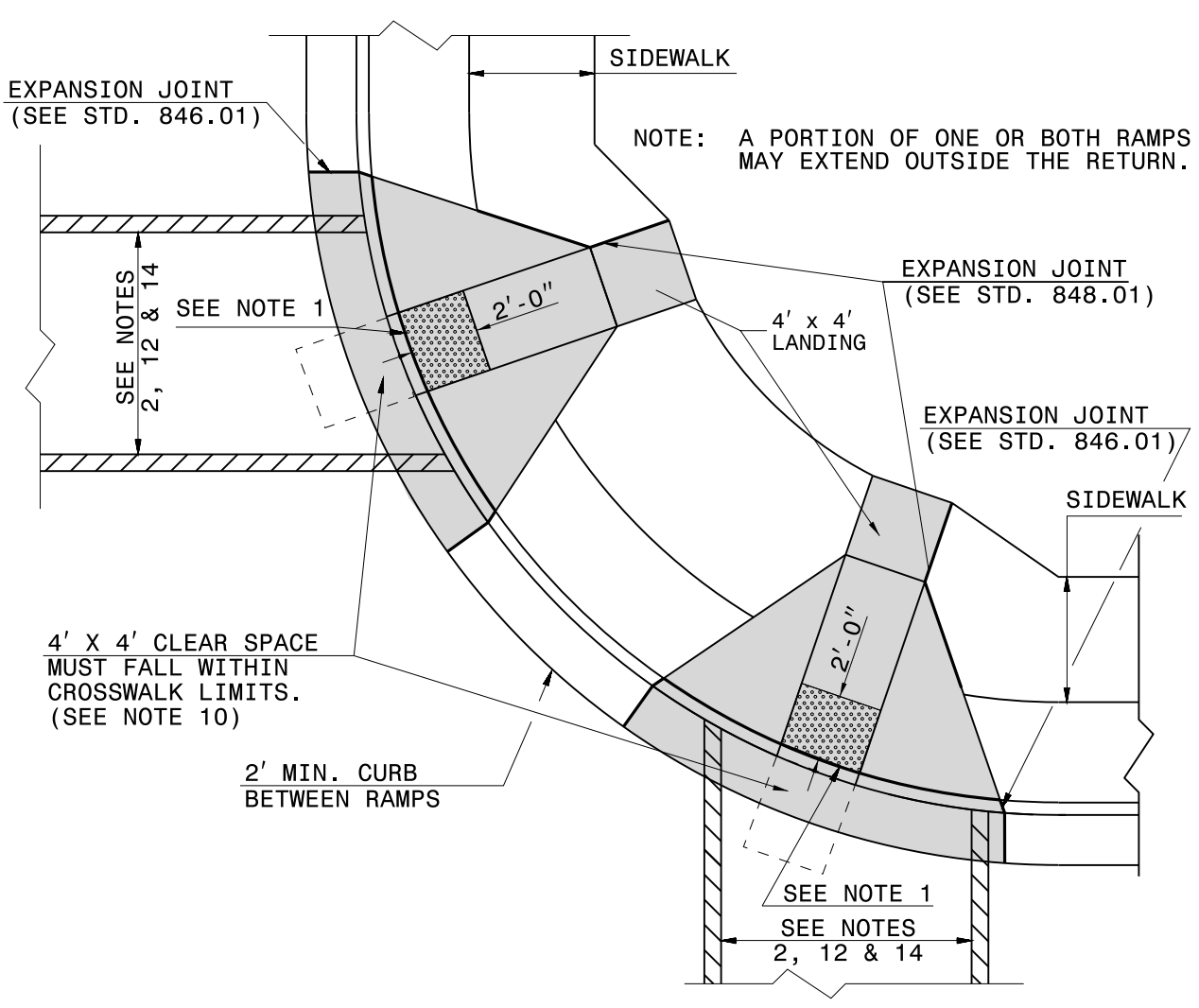
$B = X - (A + 9")$
 B = DISTANCE FROM FRONT EDGE OF SIDEWALK TO BACK POINT OF 12:1 (8.33%) SLOPE.
 * BACK OF SIDEWALK DROP REQUIRED FOR ALL SIDEWALK SLOPES.
 ** BACK OF SIDEWALK DROP REQUIRED FOR SIDEWALK SLOPES 0.04.



SECTION B-B



SECTION A-A



PLAN VIEW

DUAL RAMPS
 ANY RADII
 (4' MIN. FLOOR WIDTH)

STATE OF NORTH CAROLINA
 DEPT. OF TRANSPORTATION
 DIVISION OF HIGHWAYS
 RALEIGH, N.C.

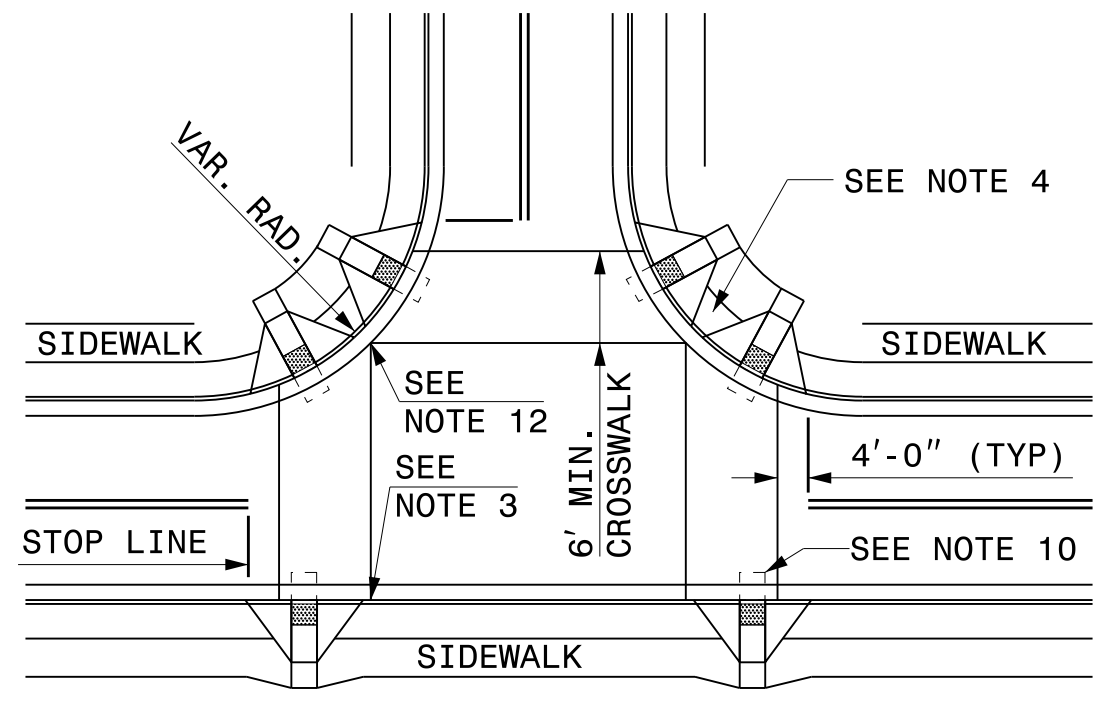
ENGLISH DETAIL DRAWING FOR
CURB RAMP
 PROPOSED CURB AND GUTTER

SHEET 1 OF 3
848D05

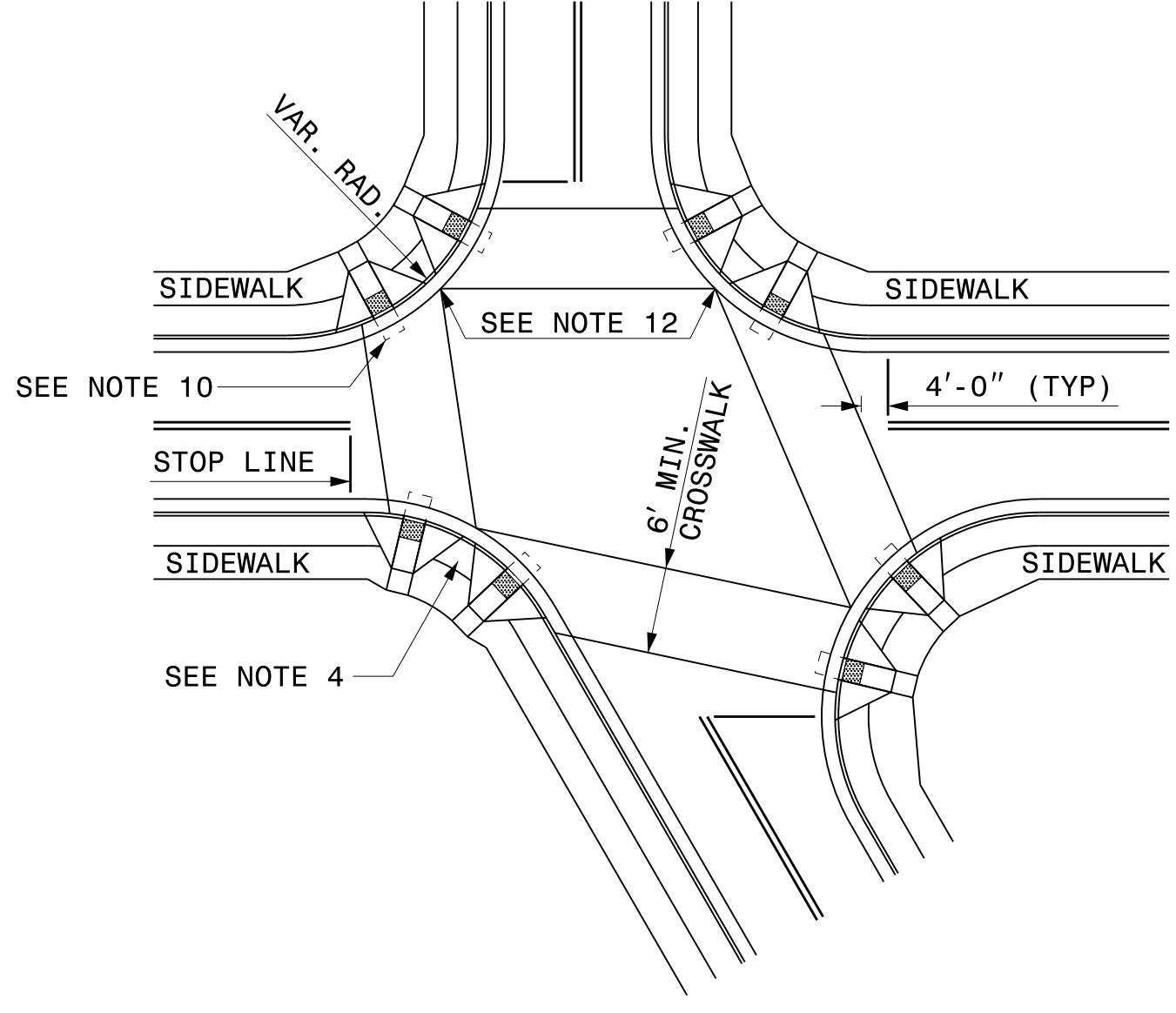
STATE OF NORTH CAROLINA
 DEPT. OF TRANSPORTATION
 DIVISION OF HIGHWAYS
 RALEIGH, N.C.

ENGLISH DETAIL DRAWING FOR
CURB RAMP
 PROPOSED CURB AND GUTTER

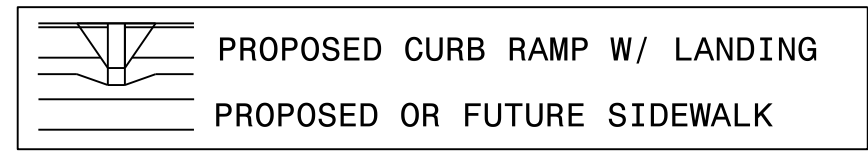
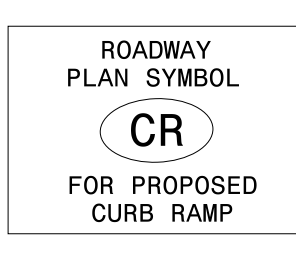
SHEET 2 OF 3
848D05



DETAIL SHOWING TYPICAL LOCATION OF CURB RAMPS, PEDESTRIAN CROSSWALKS AND STOP LINES FOR TEE INTERSECTIONS



DETAIL SHOWING TYPICAL LOCATION OF CURB RAMPS, PEDESTRIAN CROSSWALKS AND STOP LINES



ALLOWABLE LOCATIONS
 DUAL RAMP RADII.....ANY

STATE OF NORTH CAROLINA
 DEPT. OF TRANSPORTATION
 DIVISION OF HIGHWAYS
 RALEIGH, N.C.

ENGLISH DETAIL DRAWING FOR
CURB RAMP
 PROPOSED CURB AND GUTTER

SHEET 2 OF 3
848D05

CONTRACT STANDARDS
 AND DEVELOPMENT UNIT
 Office 919-250-4128 FAX 919-250-4119

SEE PLATE FOR TITLE

ORIGINAL BY: STD.NO. 848.05 DATE: 4-22-10
 MODIFIED BY: DATE:
 CHECKED BY: DATE:
 FILE SPEC.: SpecialDetails/Franchard/STDs/848d05.dgn