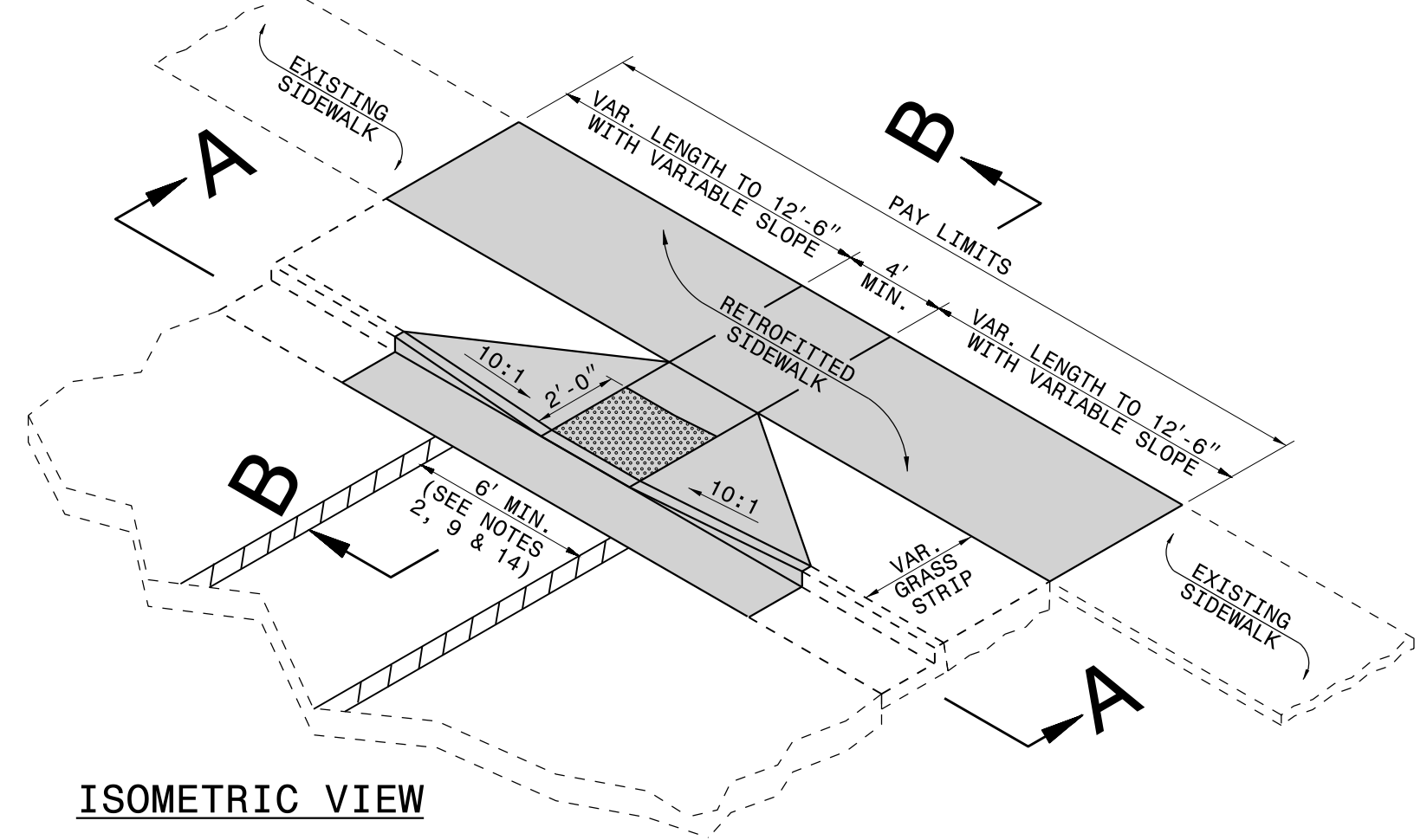


STATE OF NORTH CAROLINA
 DEPT. OF TRANSPORTATION
 DIVISION OF HIGHWAYS
 RALEIGH, N.C.

ENGLISH DETAIL DRAWING FOR
CURB RAMP
 EXISTING CURB AND GUTTER

SHEET 1 OF 5
848D06

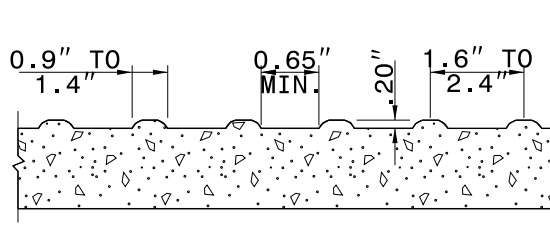
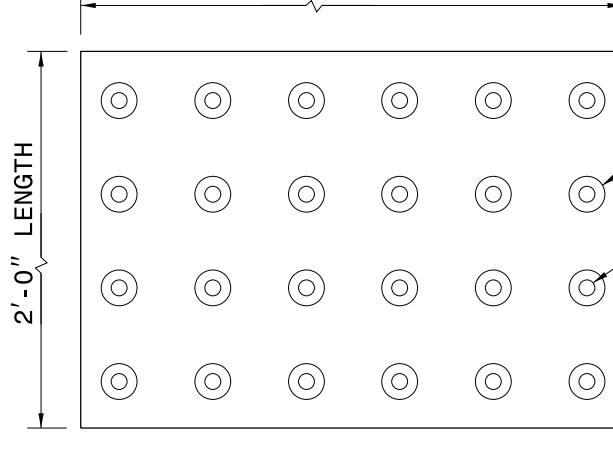
CURB RAMP AND EXISTING SIDEWALK WITH GRASS STRIP



ISOMETRIC VIEW

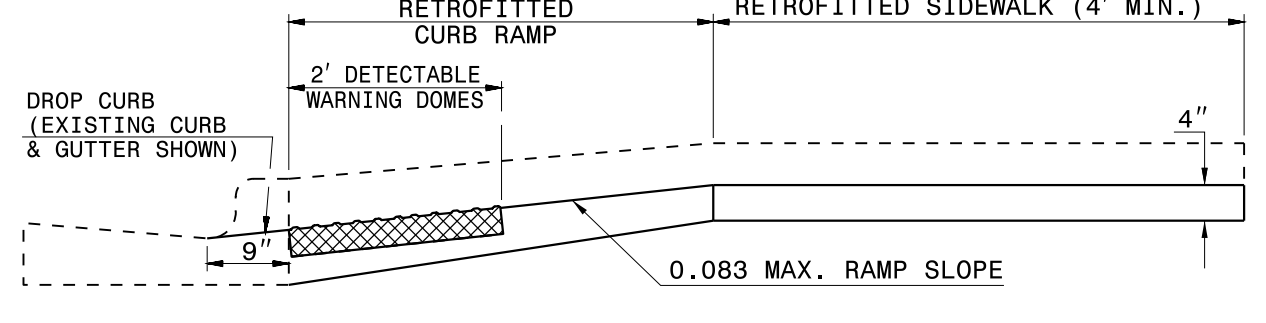
PAY LIMITS OF CURB RAMP

RAMP WIDTH AREA IS VARIABLE

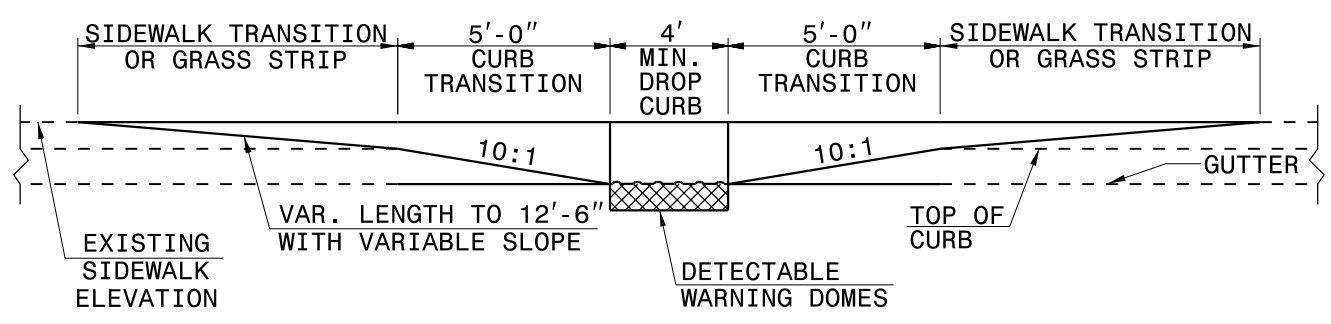


DETECTABLE WARNING DOMES

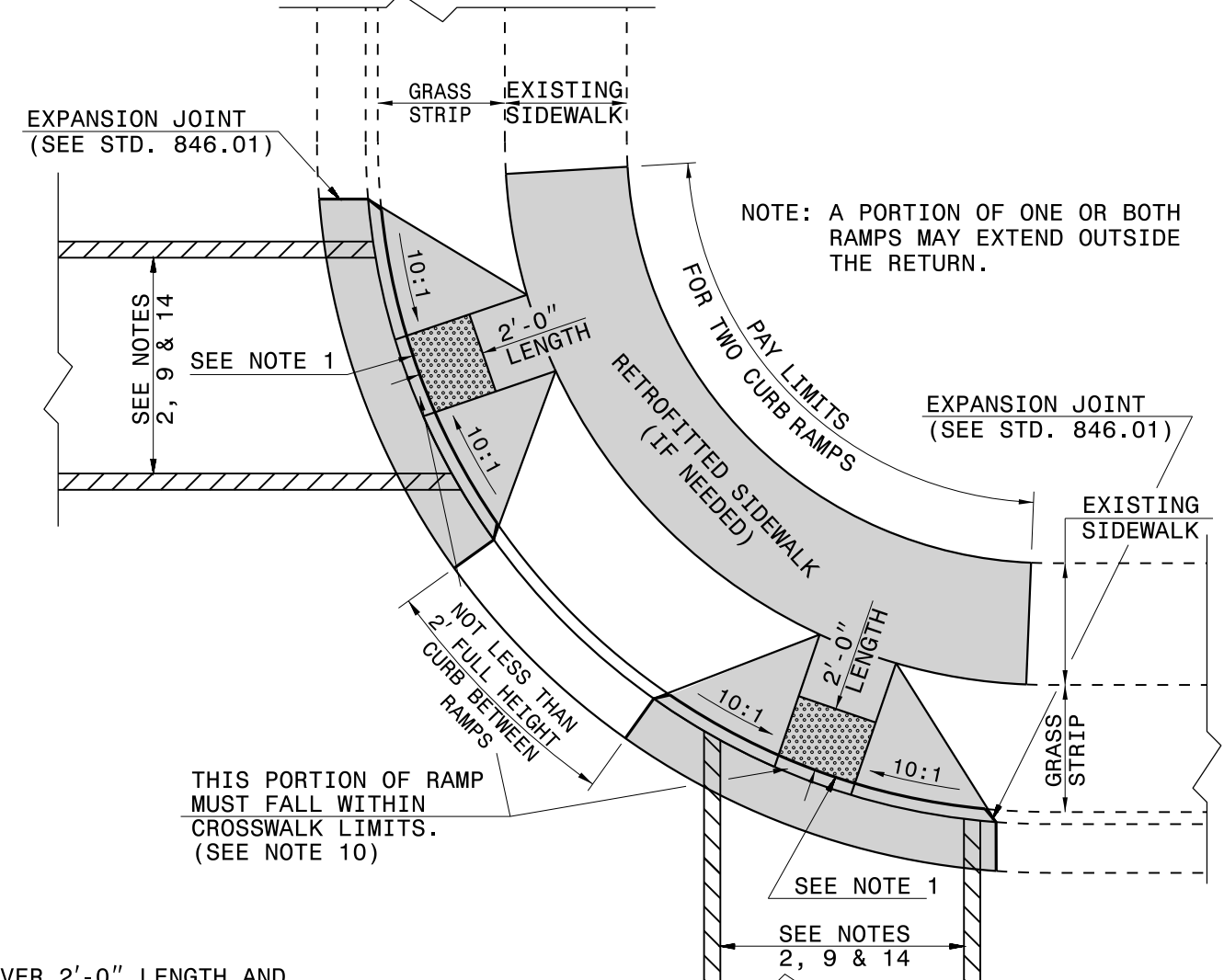
- NOTES:
 1. PLACE DETECTABLE WARNING DOMES TO COVER 2'-0" LENGTH AND FULL WIDTH OF THE RAMP FLOOR AS SHOWN ON THE DETAILS.
 2. OBTAIN VISIBLE CONTRAST WITH ADJOINING SURFACE, EITHER LIGHT-ON-DARK, OR DARK-ON-LIGHT SEQUENCE COVERING THE ENTIRE RAMP.



SECTION B-B



SECTION A-A



PLAN VIEW

DUAL RAMPS
 ANY RADII
 (40" MIN. FLOOR WIDTH)

STATE OF NORTH CAROLINA
 DEPT. OF TRANSPORTATION
 DIVISION OF HIGHWAYS
 RALEIGH, N.C.

ENGLISH DETAIL DRAWING FOR
CURB RAMP
 EXISTING CURB AND GUTTER

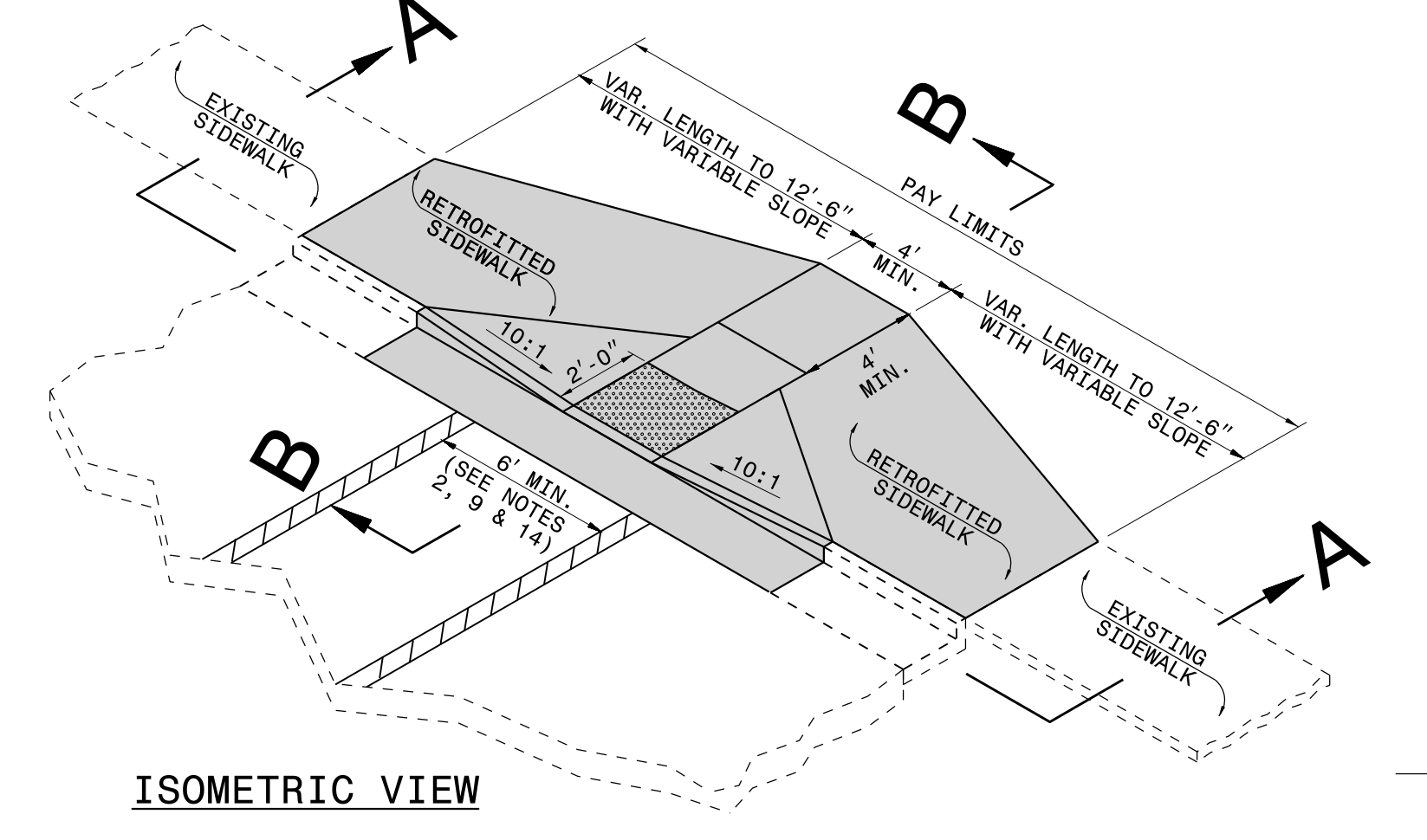
SHEET 1 OF 5
848D06

STATE OF NORTH CAROLINA
 DEPT. OF TRANSPORTATION
 DIVISION OF HIGHWAYS
 RALEIGH, N.C.

ENGLISH DETAIL DRAWING FOR
CURB RAMP
 EXISTING CURB AND GUTTER

SHEET 2 OF 5
848D06

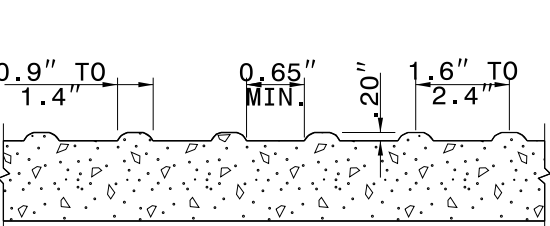
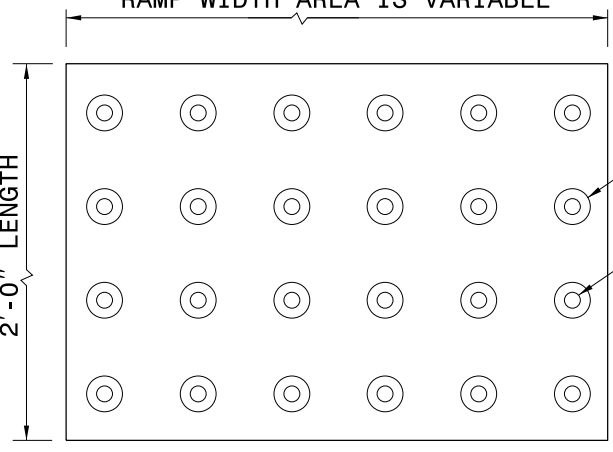
CURB RAMPS AND EXISTING SIDEWALK ADJACENT TO CURB



ISOMETRIC VIEW

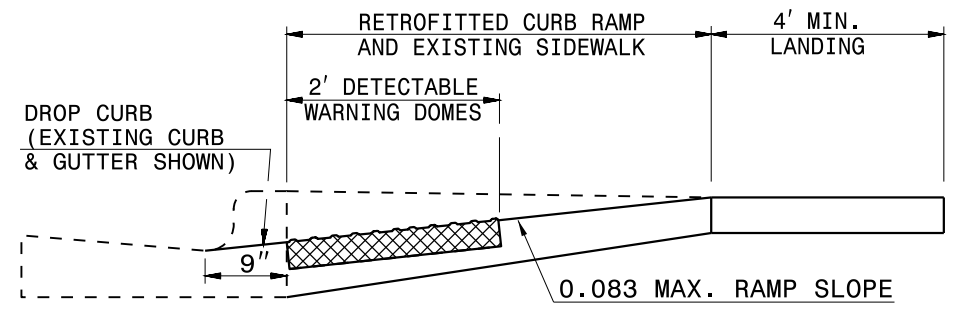
PAY LIMITS OF CURB RAMP

RAMP WIDTH AREA IS VARIABLE

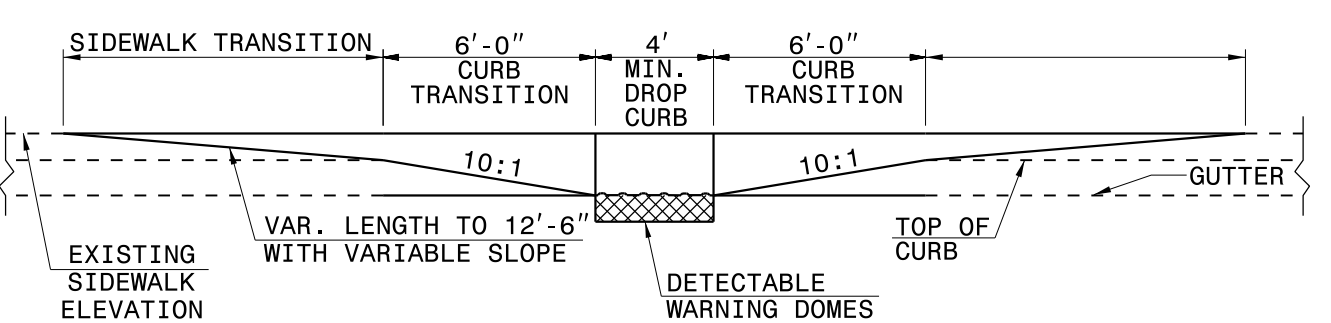


DETECTABLE WARNING DOMES

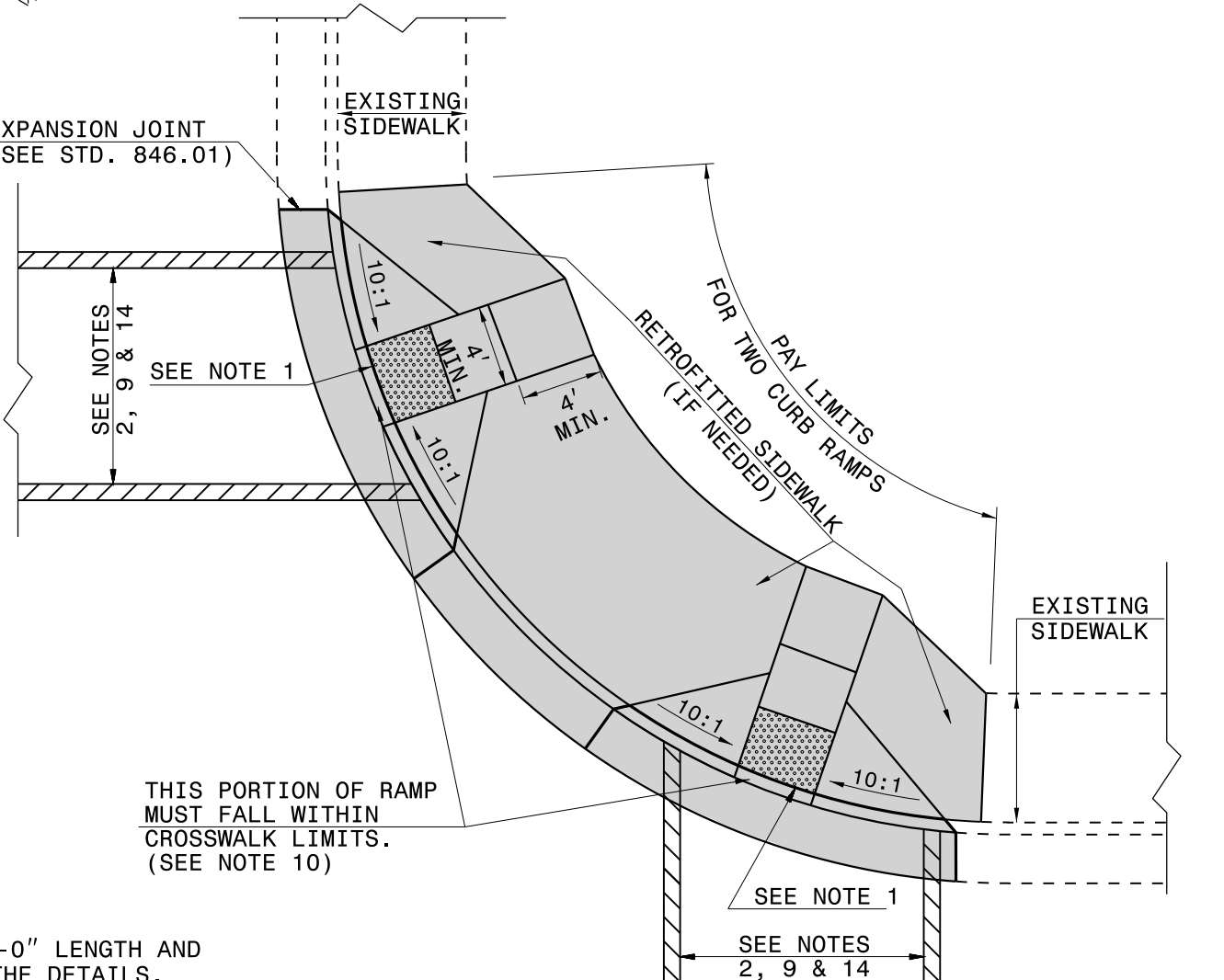
- NOTES:
 1. PLACE DETECTABLE WARNING DOMES TO COVER 2'-0" LENGTH AND FULL WIDTH OF THE RAMP FLOOR AS SHOWN ON THE DETAILS.
 2. OBTAIN VISIBLE CONTRAST WITH ADJOINING SURFACE, EITHER LIGHT-ON-DARK, OR DARK-ON-LIGHT SEQUENCE COVERING THE ENTIRE RAMP.



SECTION B-B



SECTION A-A



PLAN VIEW

DUAL RAMPS
 ANY RADII
 (40" MIN. FLOOR WIDTH)

STATE OF NORTH CAROLINA
 DEPT. OF TRANSPORTATION
 DIVISION OF HIGHWAYS
 RALEIGH, N.C.

ENGLISH DETAIL DRAWING FOR
CURB RAMP
 EXISTING CURB AND GUTTER

SHEET 2 OF 5
848D06

CONTRACT STANDARDS AND
 DEVELOPMENT UNIT
 Office 919-250-4128 FAX 919-250-4119

SEE PLATE FOR TITLE

ORIGINAL BY: STD.NO. 848.06 DATE: 4-22-10
 MODIFIED BY: DATE:
 CHECKED BY: DATE:
 FILE SPEC.: SpecialDetails/Forward/STD/848D06.dgn