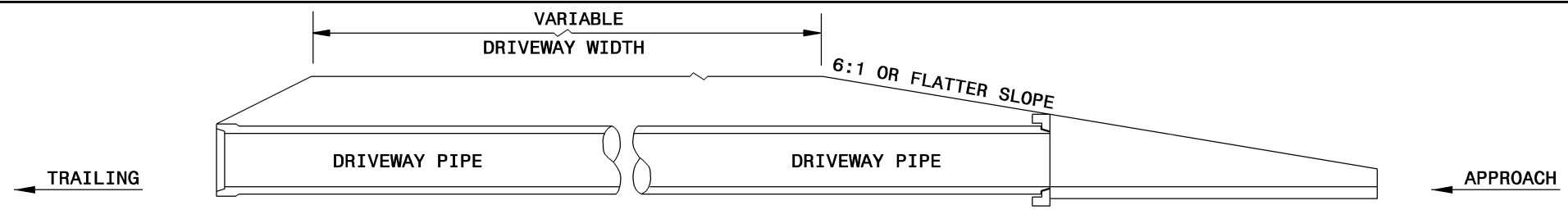
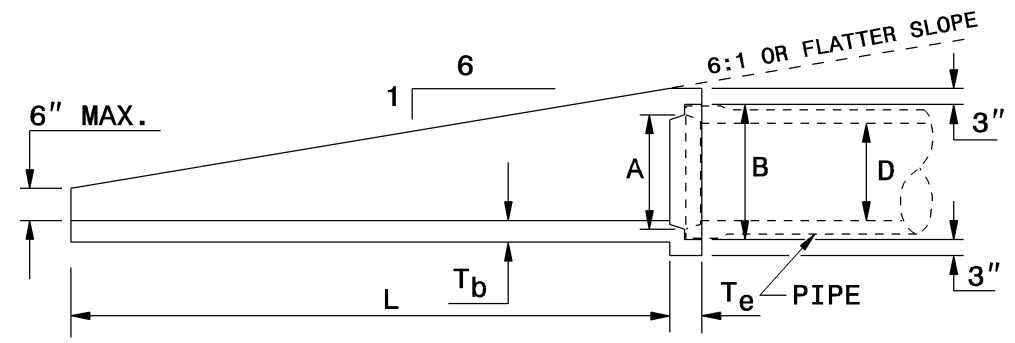


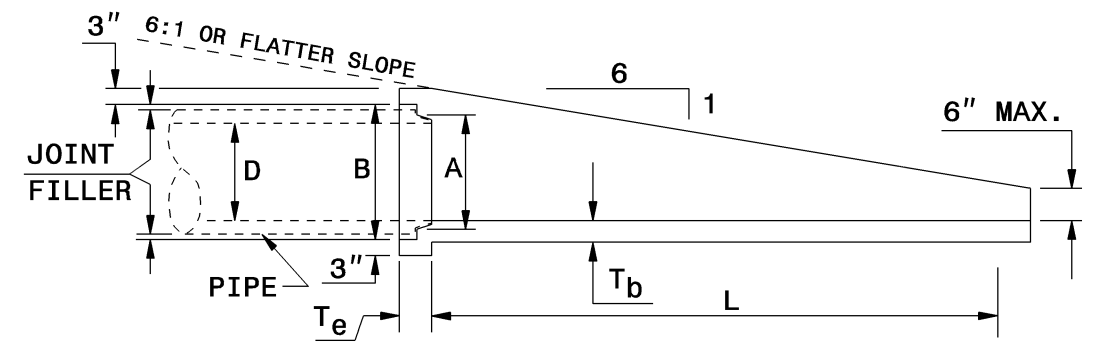
7-06



DRIVEWAY PIPE TYPICAL SECTION

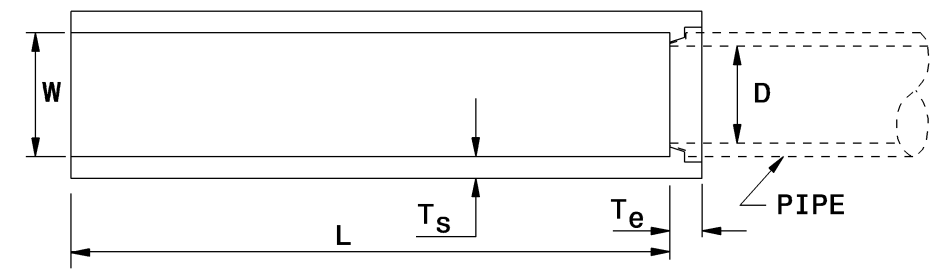


GROOVE INSTALLATION

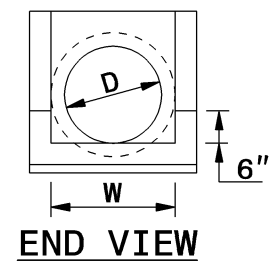


TONGUE INSTALLATION

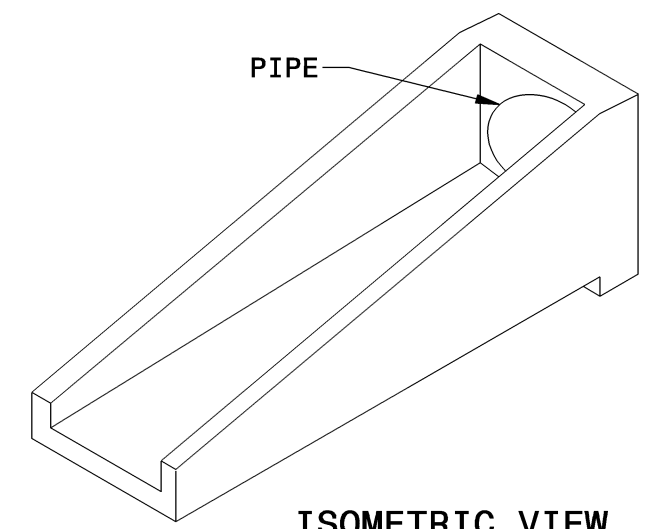
SIDE VIEW



PLAN VIEW



END VIEW



ISOMETRIC VIEW

END TREATMENT DIMENSIONS							
D	L	W	T _s	T _b	T _e	A	B
15"	7'-6"	19"	4"	4"	6"	17 ³ / ₄ "	20 ⁷ / ₈ "
18"	9'-0"	23"	4"	4"	6"	21 ¹ / ₄ "	25"
24"	12'-6"	30"	4"	4"	6"	27 ⁷ / ₈ "	32"

- NOTES:
1. CONSTRUCT PIPE END SECTION USING #4 REBAR SPACED 9" EACH WAY AND MEET ALL REQUIREMENTS OF STD. SPEC. 310.
2. CHAMFER ALL EXPOSED CORNERS ³/₄".

7-06