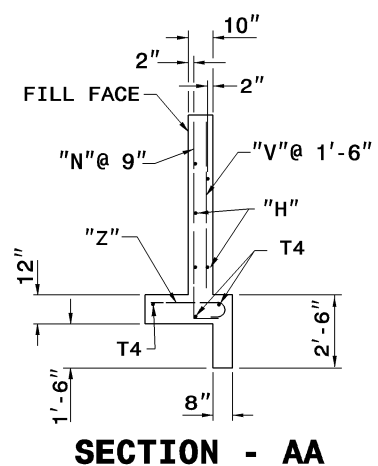


7-06

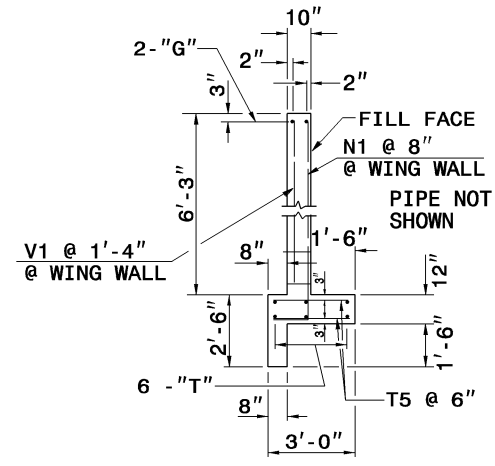
ENGLISH STANDARD DRAWING FOR

REINFORCED CONCRETE ENDWALL

FOR DOUBLE & TRIPLE 54" PIPE - 90° SKEW



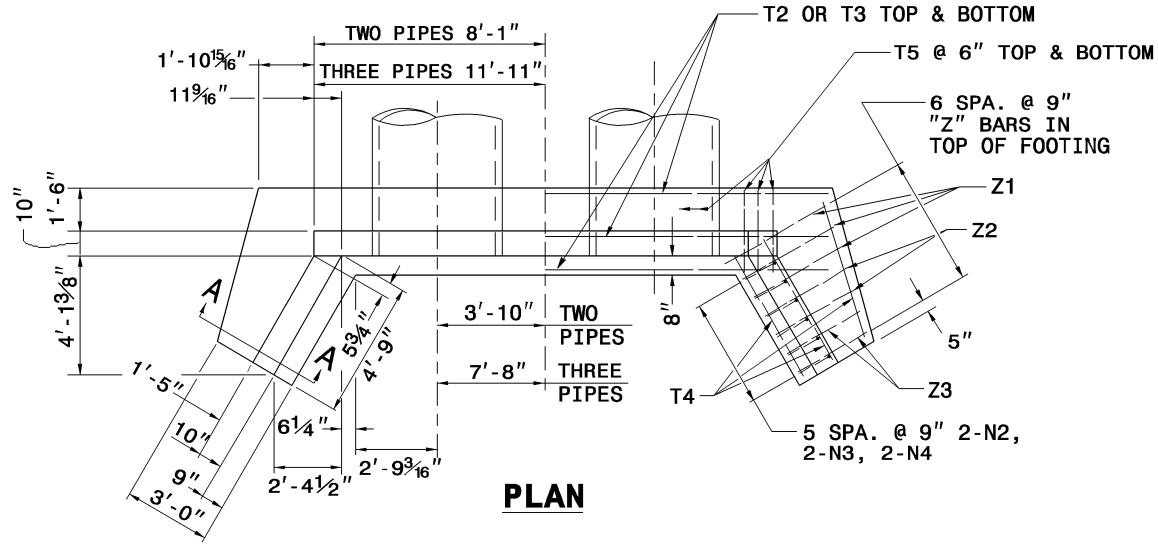
SECTION - AA



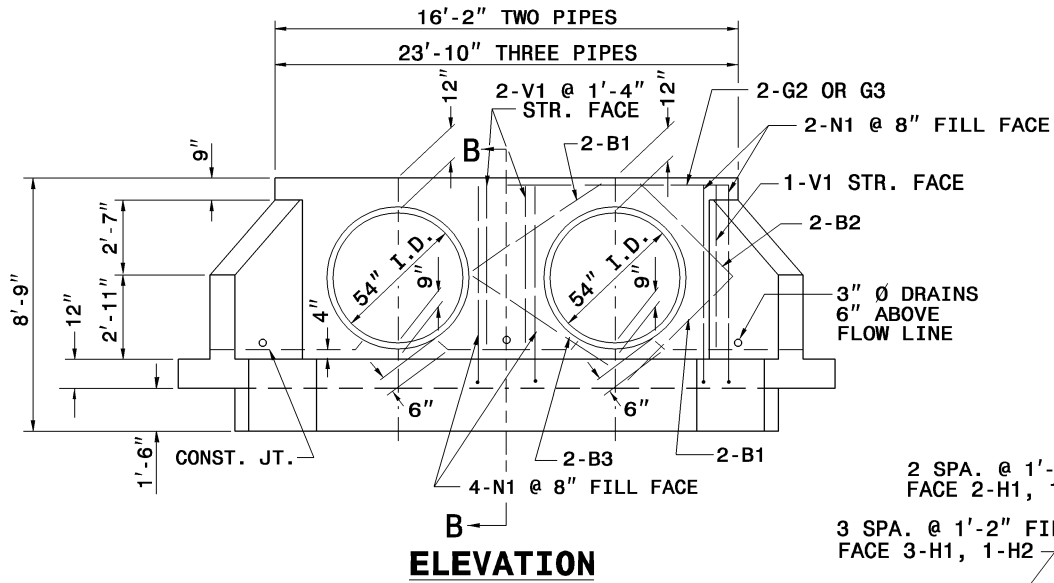
SECTION - BB

SEE STD. # 838.45 FOR GENERAL NOTES.

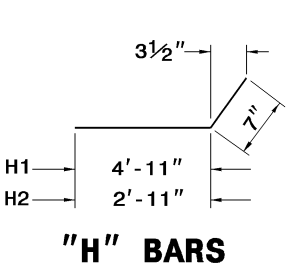
| BILL OF MATERIAL FOR ENDWALL | | | | | | |
|------------------------------|------|---------|-----|---------|-----|--------|
| REINF. STEEL | | 2 PIPES | | 3 PIPES | | |
| BAR | SIZE | LENGTH | NO. | WEIGHT | NO. | WEIGHT |
| B1 | #4 | 5'-6" | 8 | 29 | 12 | 44 |
| B2 | #4 | 4'-6" | 4 | 12 | 4 | 12 |
| B3 | #4 | 6'-0" | 4 | 16 | 8 | 32 |
| G1 | #7 | 8'-2" | - | - | - | - |
| G2 | #7 | 15'-10" | 2 | 65 | - | - |
| G3 | #7 | 23'-6" | - | - | 2 | 96 |
| H1 | #4 | 5'-6" | 10 | 37 | 10 | 37 |
| H2 | #4 | 3'-6" | 4 | 9 | 4 | 9 |
| N1 | #4 | 7'-11" | 8 | 42 | 12 | 63 |
| N2 | #4 | 6'-7" | 4 | 18 | 4 | 18 |
| N3 | #4 | 5'-8" | 4 | 15 | 4 | 15 |
| N4 | #4 | 4'-9" | 4 | 13 | 4 | 13 |
| T1 | #4 | 11'-10" | - | - | - | - |
| T2 | #4 | 19'-6" | 6 | 78 | - | - |
| T3 | #4 | 27'-2" | - | - | 6 | 109 |
| T4 | #4 | 5'-3" | 6 | 21 | 6 | 21 |
| T5 | #4 | 2'-6" | 64 | 107 | 96 | 160 |
| V1 | #4 | 5'-9" | 4 | 15 | 6 | 23 |
| V2 | #4 | 4'-10" | 2 | 6 | 2 | 6 |
| V3 | #4 | 3'-11" | 2 | 5 | 2 | 5 |
| V4 | #4 | 3'-1" | 2 | 4 | 2 | 4 |
| Z1 | #4 | 3'-11" | 6 | 16 | 6 | 16 |
| Z2 | #4 | 3'-6" | 4 | 9 | 4 | 9 |
| Z3 | #4 | 3'-1" | 4 | 8 | 4 | 8 |
| REINF. STEEL LBS. | | | 525 | 700 | | |
| CON./R.C. CU. YDS | | | 6.9 | 8.8 | | |



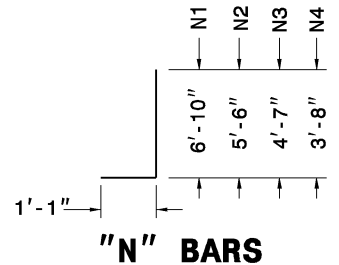
PLAN



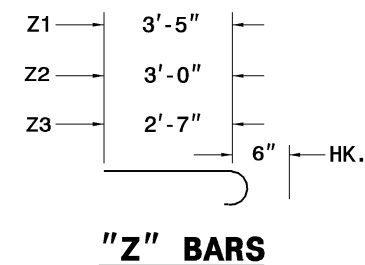
ELEVATION



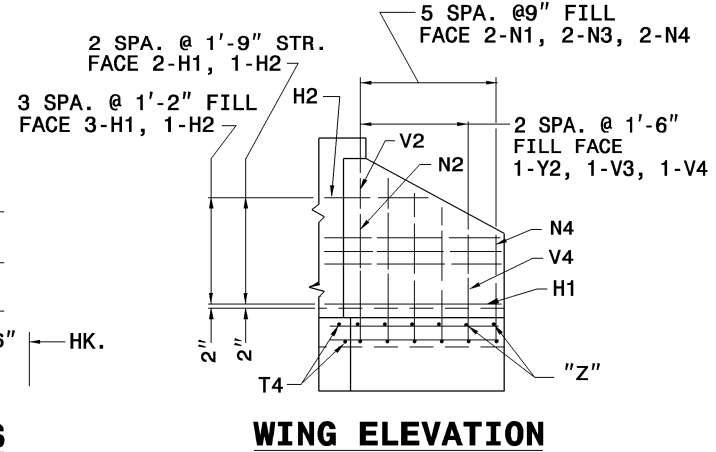
"H" BARS



"N" BARS



"Z" BARS



WING ELEVATION

"H", "N", & "Z" BAR DIMENSIONS ARE OUT TO OUT.

7-06

ENGLISH STANDARD DRAWING FOR

REINFORCED CONCRETE ENDWALL

FOR DOUBLE & TRIPLE 54" PIPE - 90° SKEW