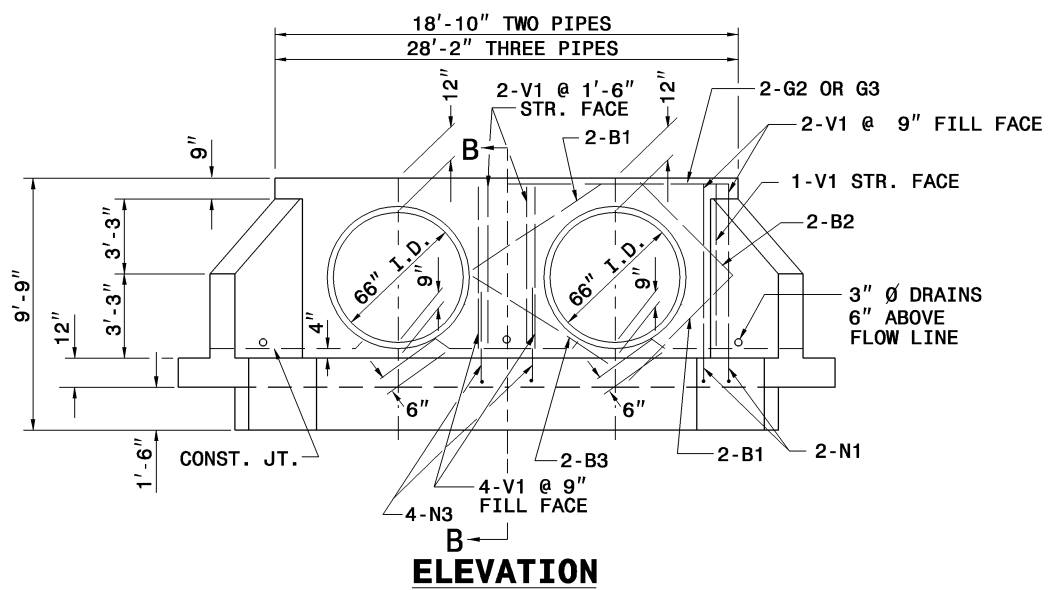
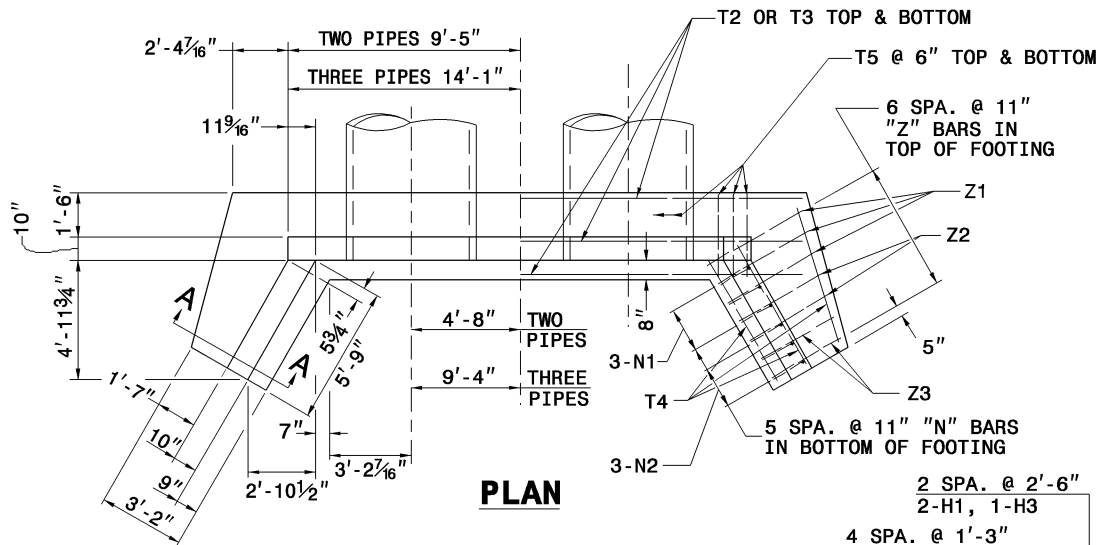


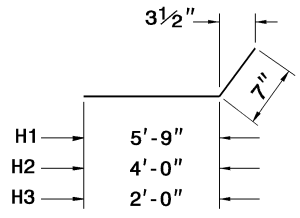
7-06



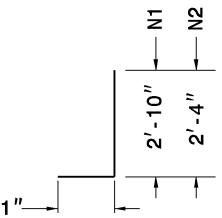
ELEVATION



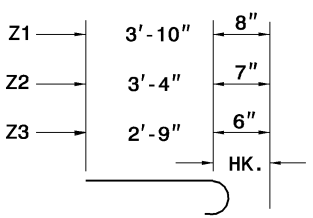
PLAN



"H" BARS

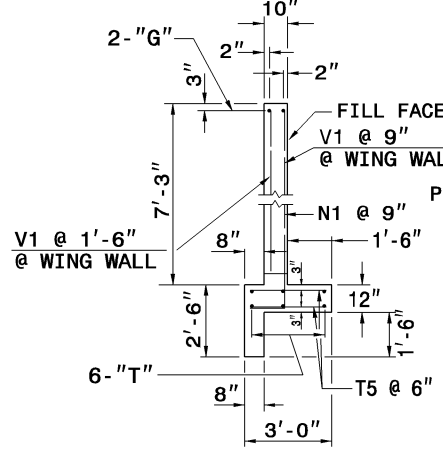


"N" BARS

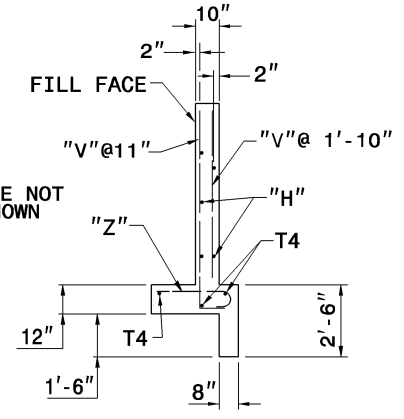


"Z" BARS

"H", "N", & "Z" BAR DIMENSIONS ARE OUT TO OUT.



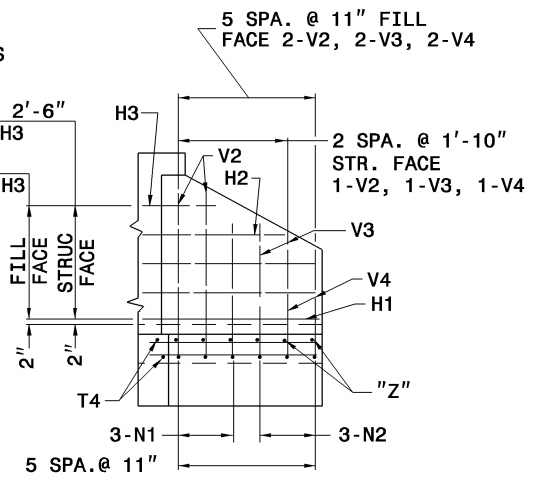
SECTION - BB



SECTION - AA

SEE STD. # 838.45 FOR GENERAL NOTES.

BILL OF MATERIAL FOR ENDWALL									
REINF. STEEL			2 PIPES		3 PIPES				
BAR	SIZE	LENGTH	NO.	WEIGHT	NO.	WEIGHT			
B1	#4	5'-6"	8	29	12	44			
B2	#4	4'-6"	4	12	4	12			
B3	#4	7'-0"	4	19	8	37			
G2	#7	18'-6"	2	76	-	-			
G3	#7	27'-10"	-	-	2	114			
H1	#4	6'-4"	10	42	10	42			
H2	#4	4'-7"	2	6	2	6			
H3	#4	2'-7"	4	7	4	7			
N1	#5	3'-11"	14	57	18	74			
N2	#4	3'-5"	6	14	6	14			
T2	#4	23'-0"	6	92					
T3	#4	16'-10"			12	135			
T4	#4	6'-0"	6	24	6	24			
T5	#4	2'-6"	76	127	112	187			
V1	#4	6'-9"	12	54	18	81			
V2	#4	5'-2"	6	21	6	21			
V3	#4	4'-1"	6	16	6	16			
V4	#4	2'-11"	6	12	6	12			
Z1	#6	4'-6"	6	41	6	41			
Z2	#6	3'-11"	4	16	4	16			
Z3	#4	3'-3"	4	9	4	9			
REINF. STEEL LBS.				674		892			
CON./R.C. CU. YDS				8.7		11.1			



WING ELEVATION

7-06