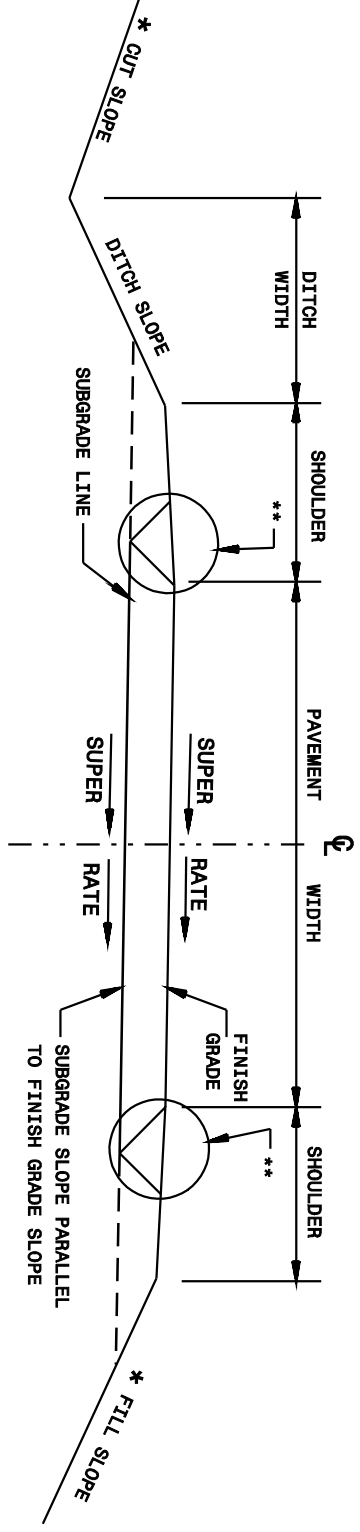


TYPICAL NORMAL CROWN SECTION



TYPICAL SUPERELEVATED SECTION

* SEE PLANS FOR METHOD OF CONSTRUCTING CUT AND FILL SLOPES.

** TRENCH OR GRADED SECTION SEE PLANS.

Note:
This drawing is dimensioned in millimeters unless otherwise depicted within the drawing.