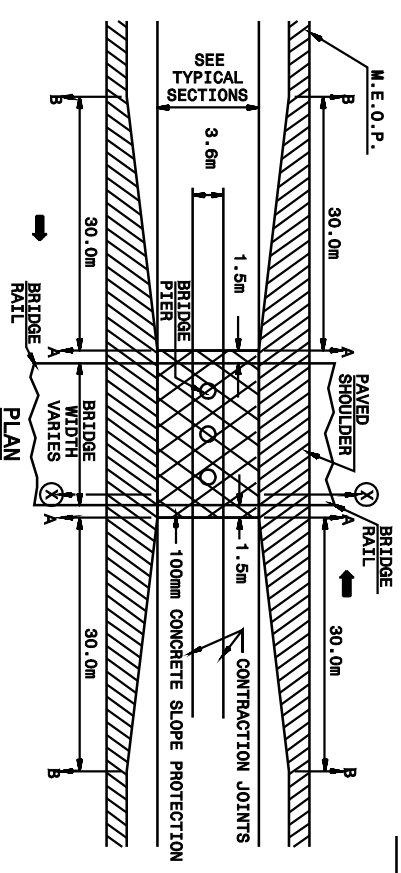
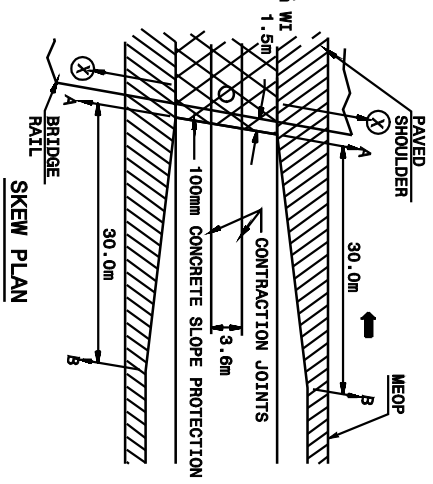
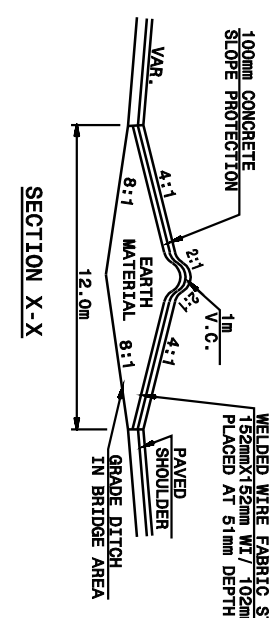
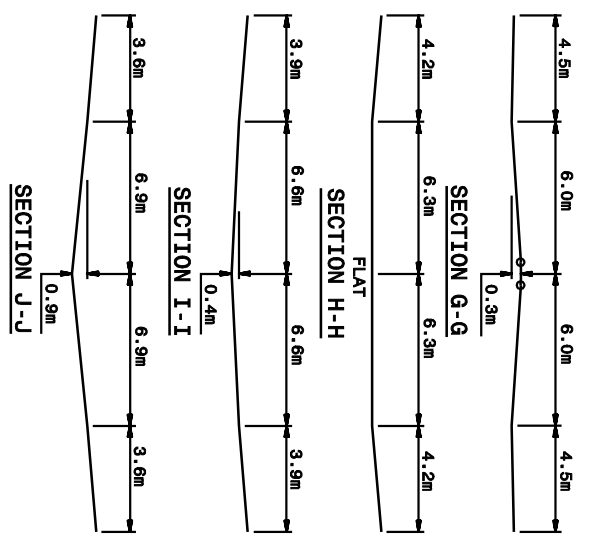
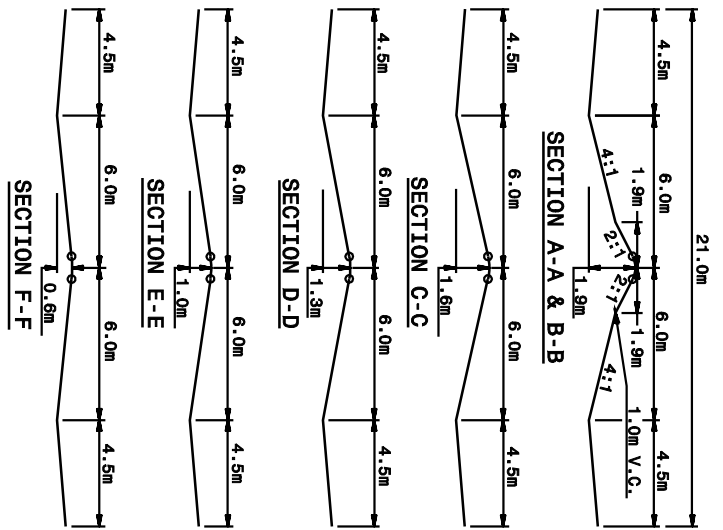
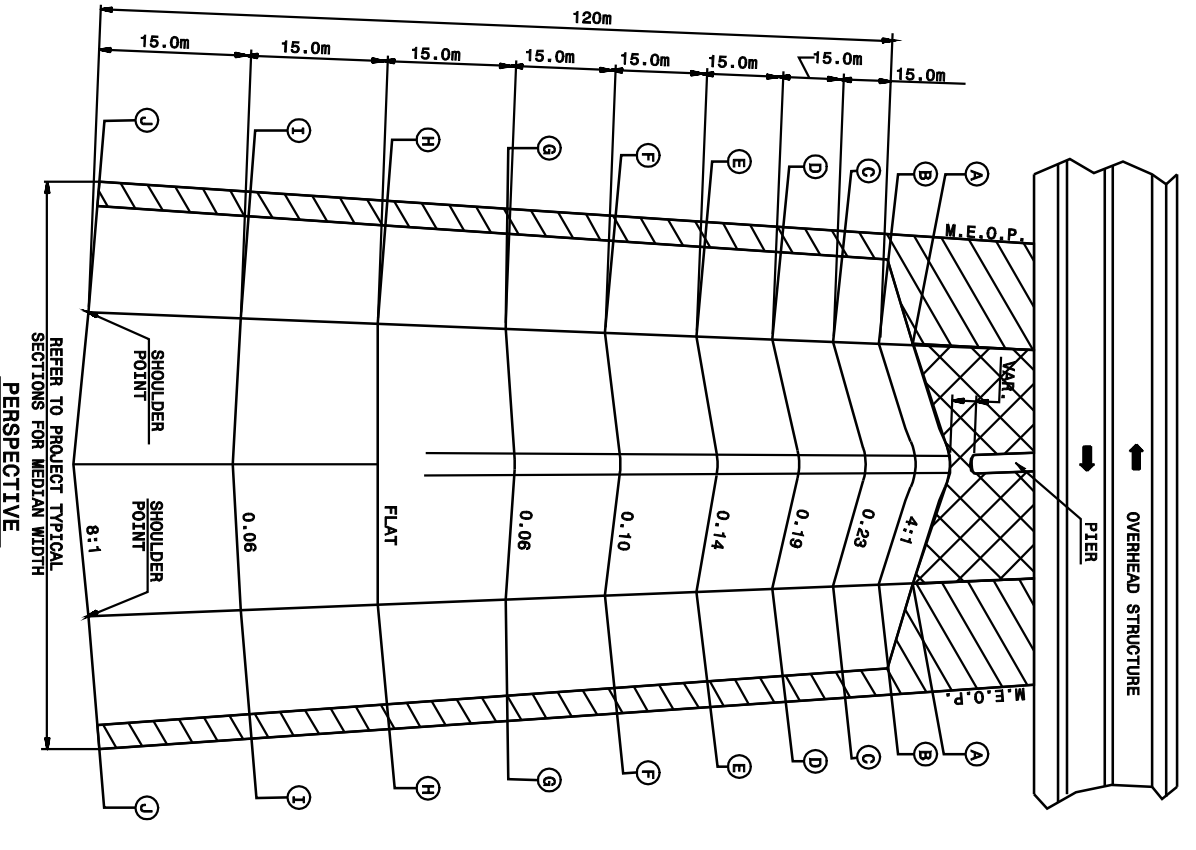


7-06

METRIC STANDARD DRAWING FOR
**EARTH BERM MEDIAN
PIER PROTECTION**



METRIC STANDARD DRAWING FOR
**EARTH BERM MEDIAN
PIER PROTECTION**

7-06