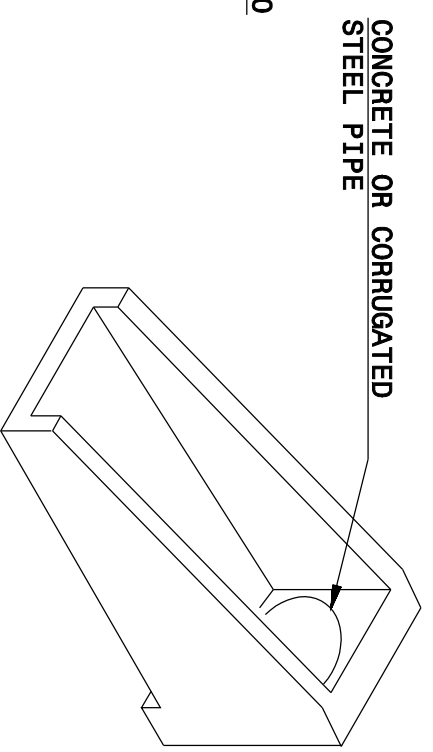
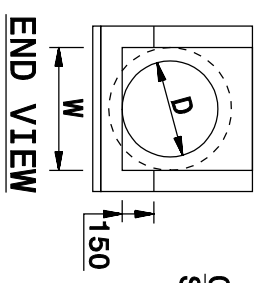
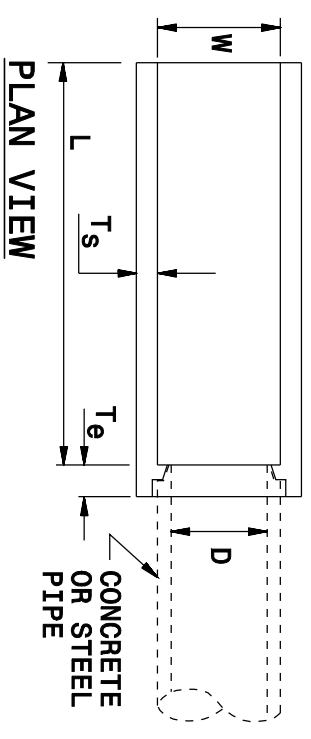
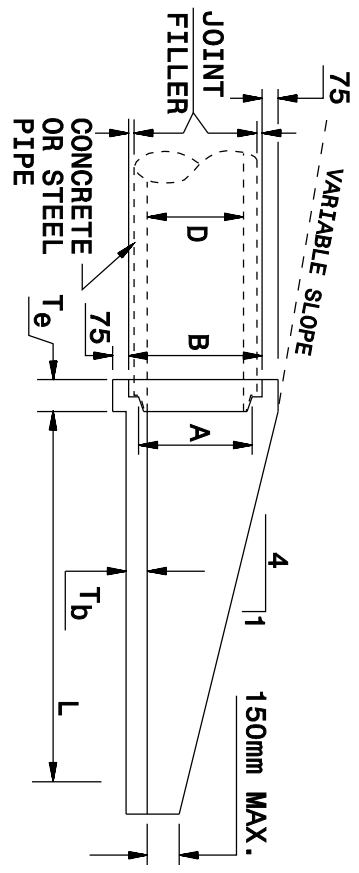
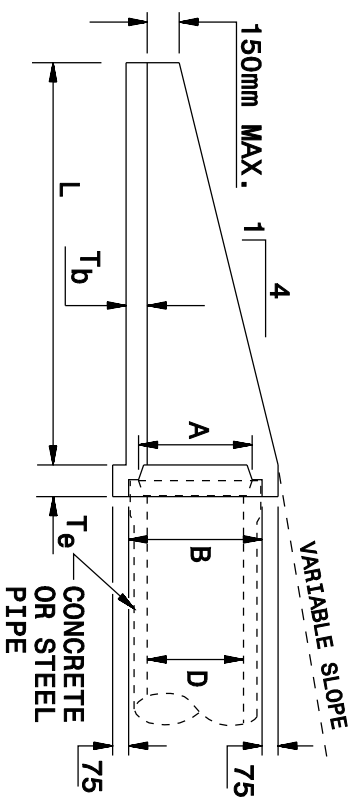
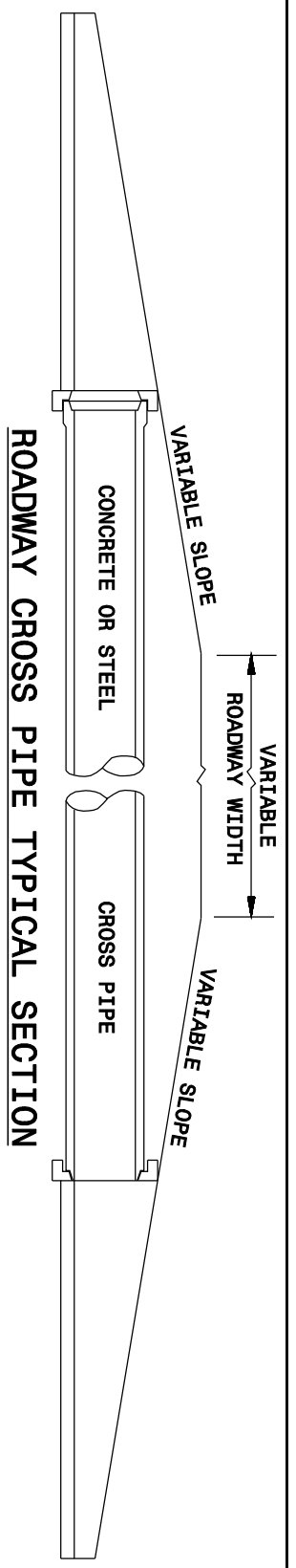


7-06

METRIC STANDARD DRAWING FOR
CROSS PIPE END SECTION
PRECAST CONCRETE SECTION
FOR 450mm TO 750mm PIPE

SHEET 1 OF 1

310.03



END TREATMENT DIMENSIONS

D	L	W	T _s	T _b	T _e	A	B
450	1.8m	585	100	100	150	540	25"
600	2.5m	760	100	100	150	710	32"
750	3.1m	940	100	100	150	855	39"

Note:
This drawing is dimensioned in millimeters unless otherwise depicted within the drawing.

NOTES:

1. CONSTRUCT PIPE END SECTION USING #13 REBAR SPACED 230mm EACH WAY AND MEET ALL REQUIREMENTS OF STANDARD SPECIFICATION 310 AS OUTLINED FOR "CONCRETE FLARED END SECTIONS."
2. CHAMFER ALL EXPOSED CORNERS 20mm.

ISOMETRIC VIEW

7-06

METRIC STANDARD DRAWING FOR
CROSS PIPE END SECTION
PRECAST CONCRETE SECTION
FOR 450mm TO 750mm PIPE

SHEET 1 OF 1

310.03