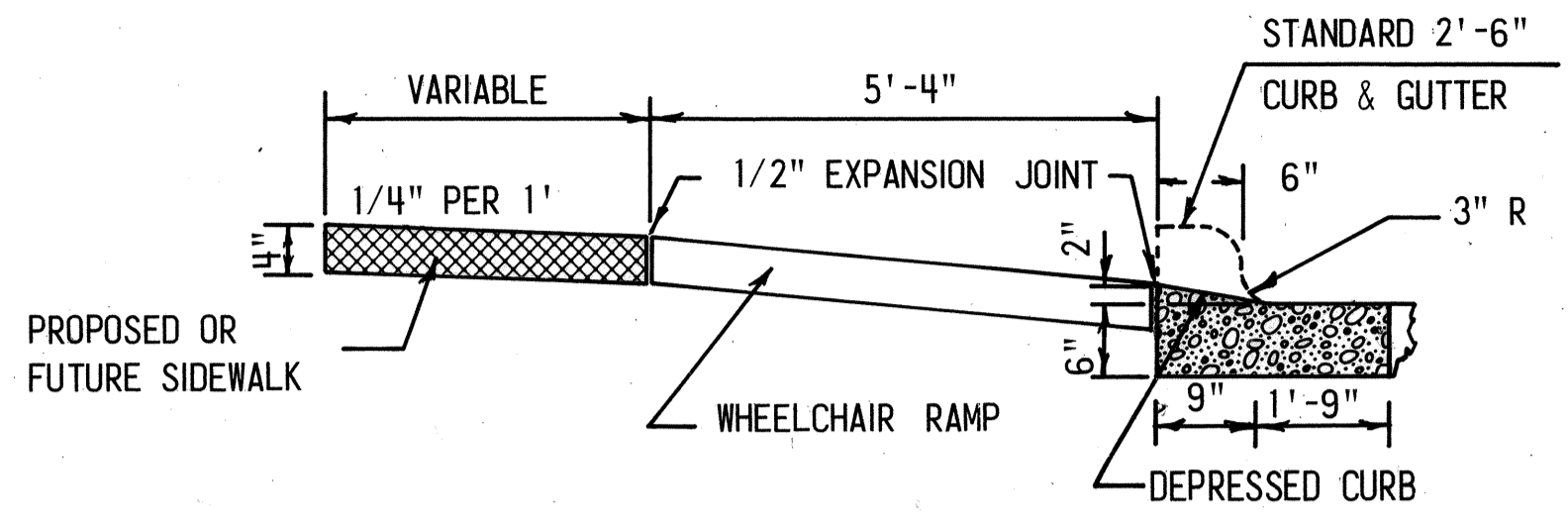
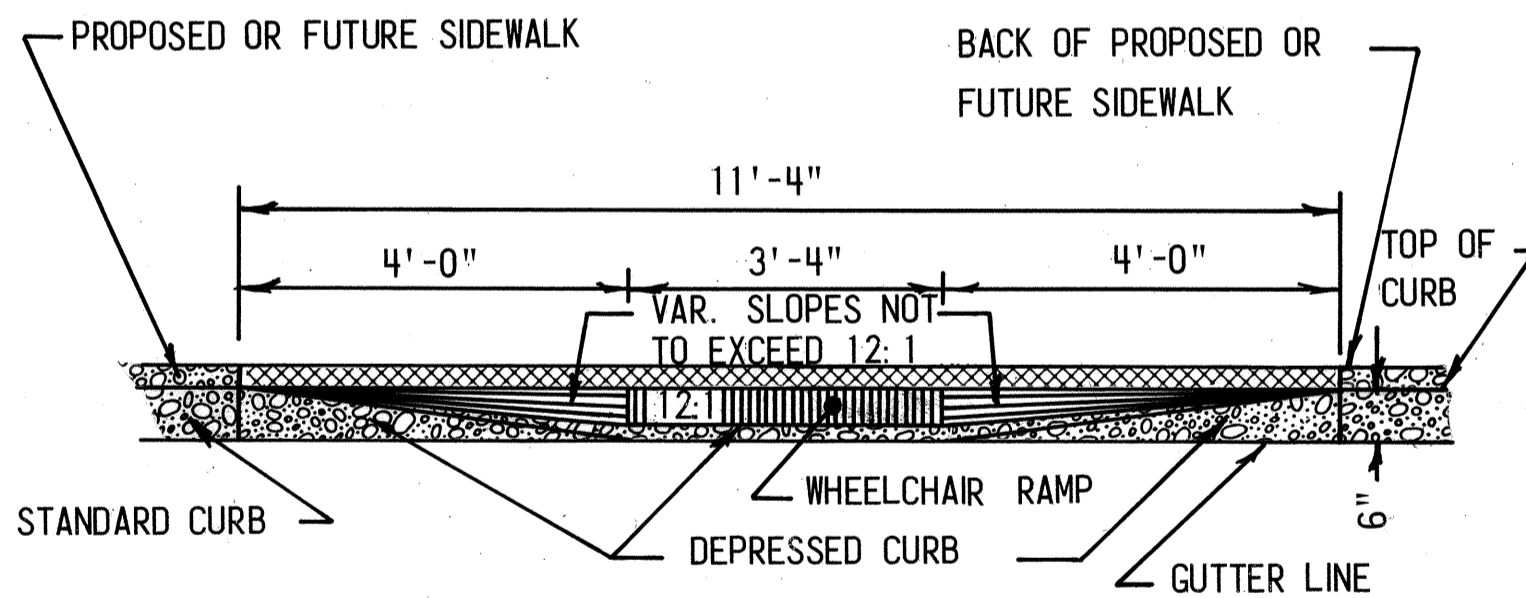


**PLAN**

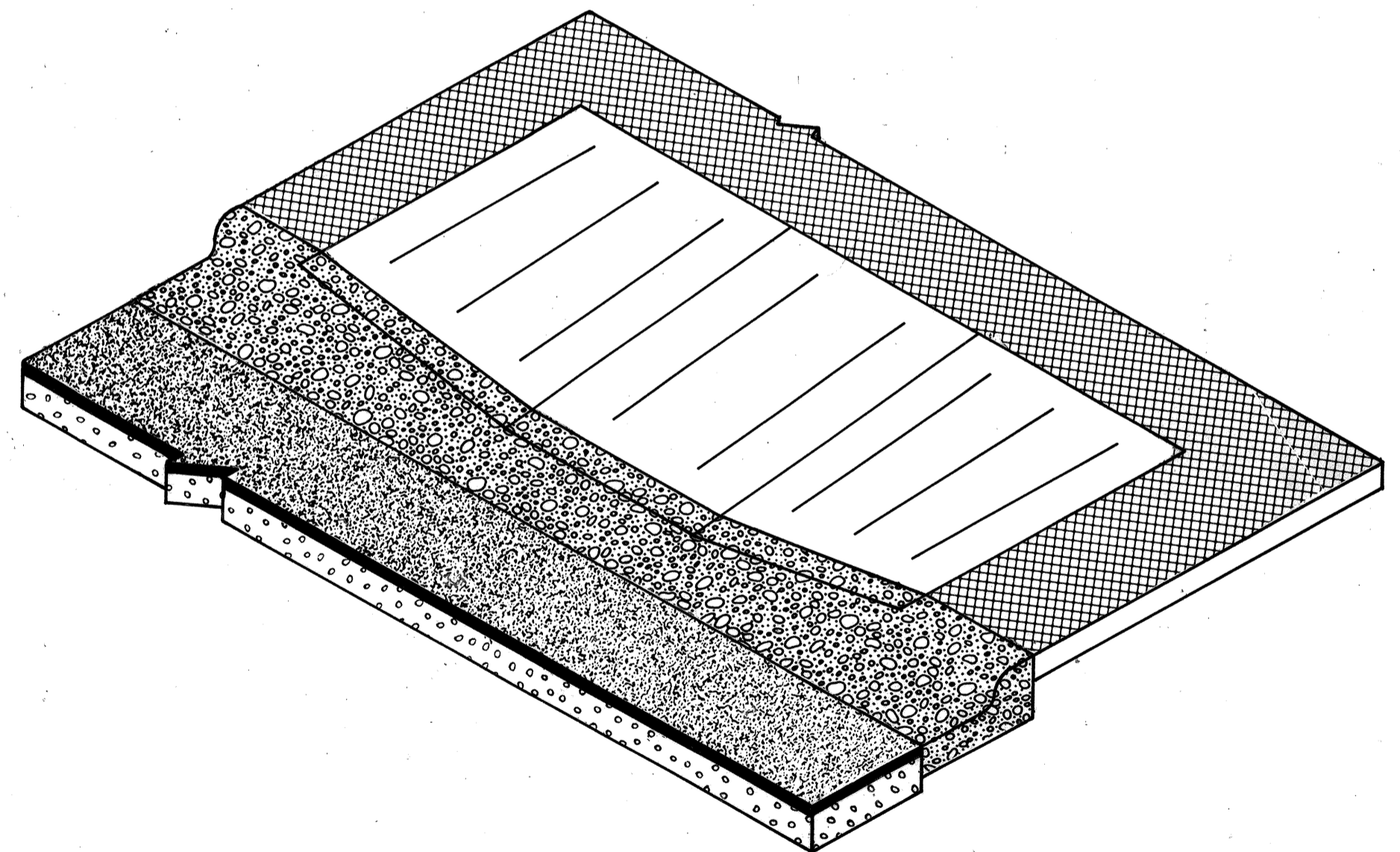
4" CONCRETE WHEELCHAIR RAMP SQ. YDS. = 6.72



**SECTION-AA**



**SECTION-BB**



REVISIONS		
NO.	DATE	DESCRIPTION
A	12-19-89	General Statute Note Revised

**STANDARD WHEELCHAIR RAMP**