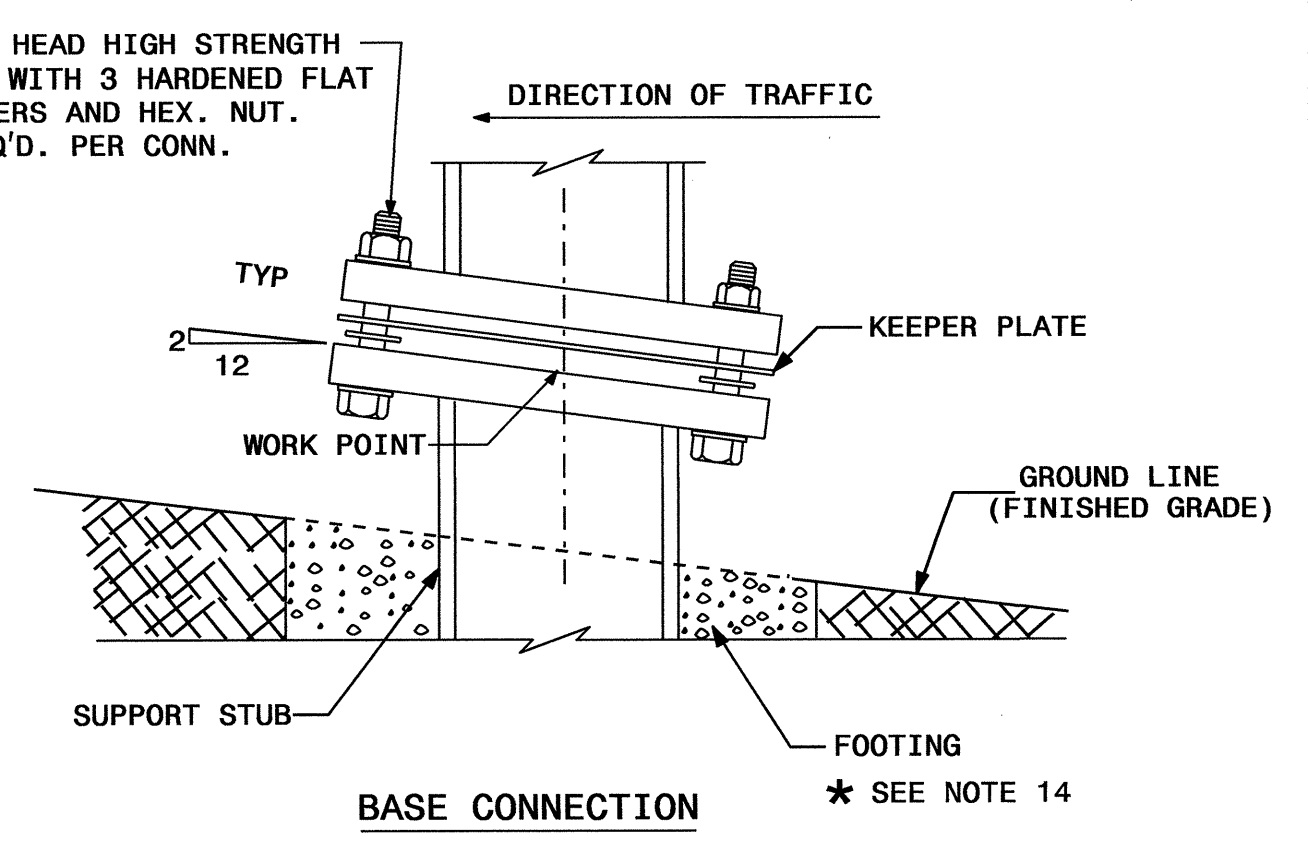
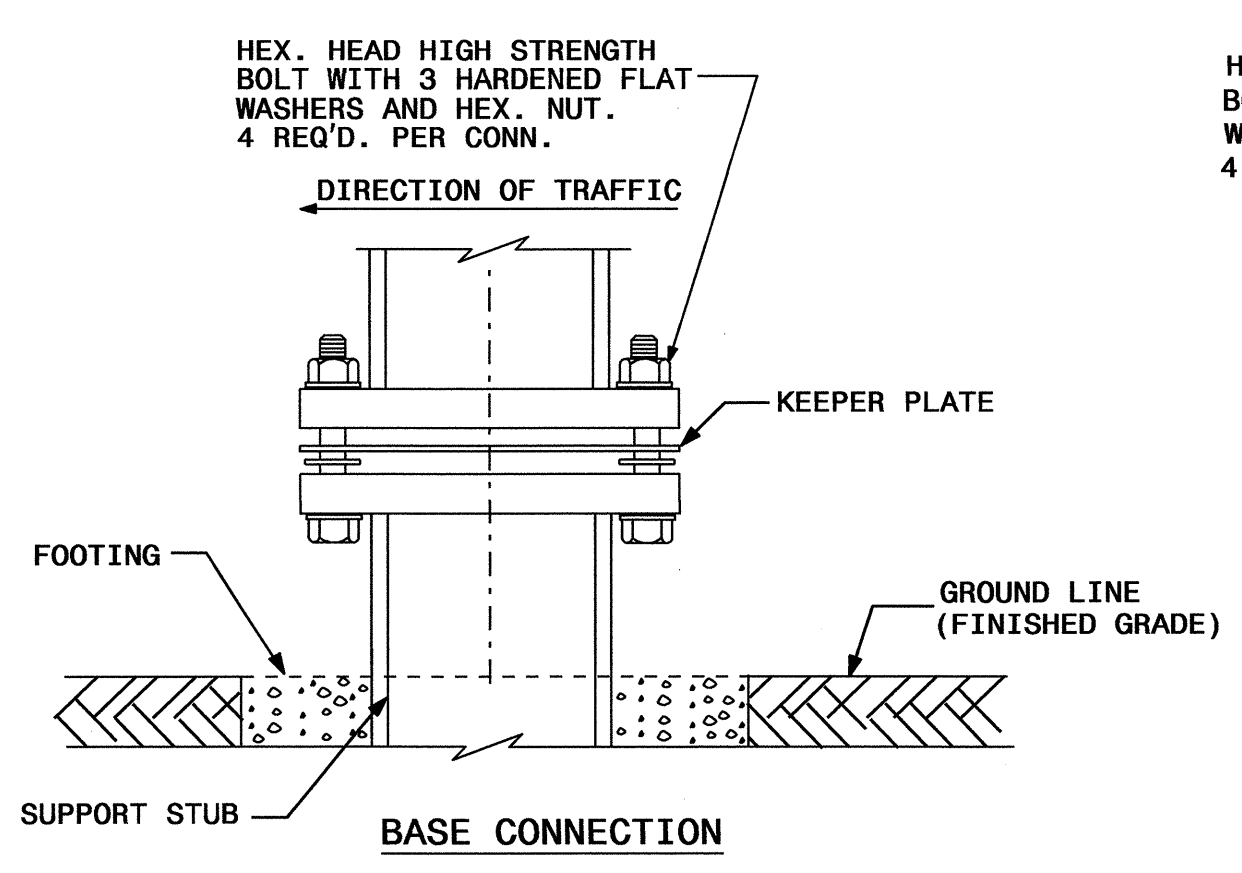
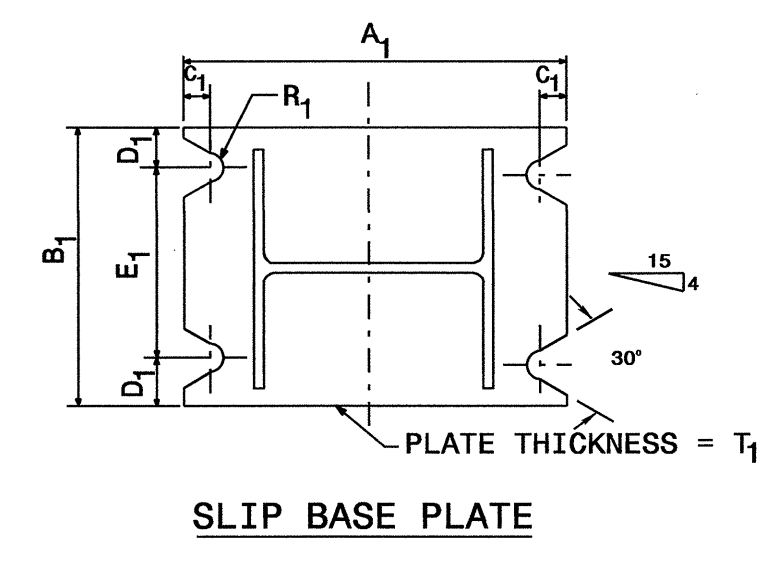
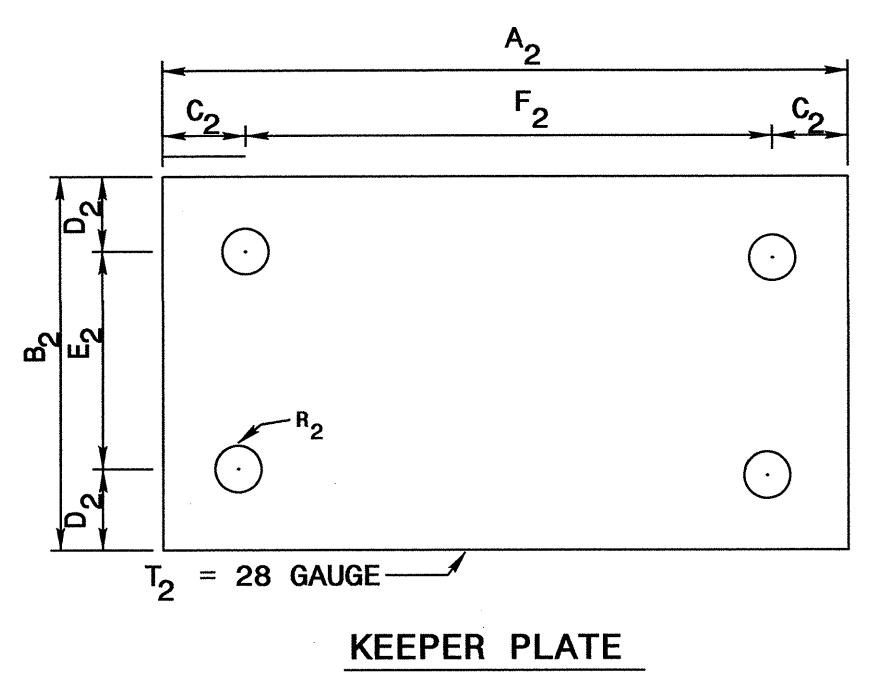
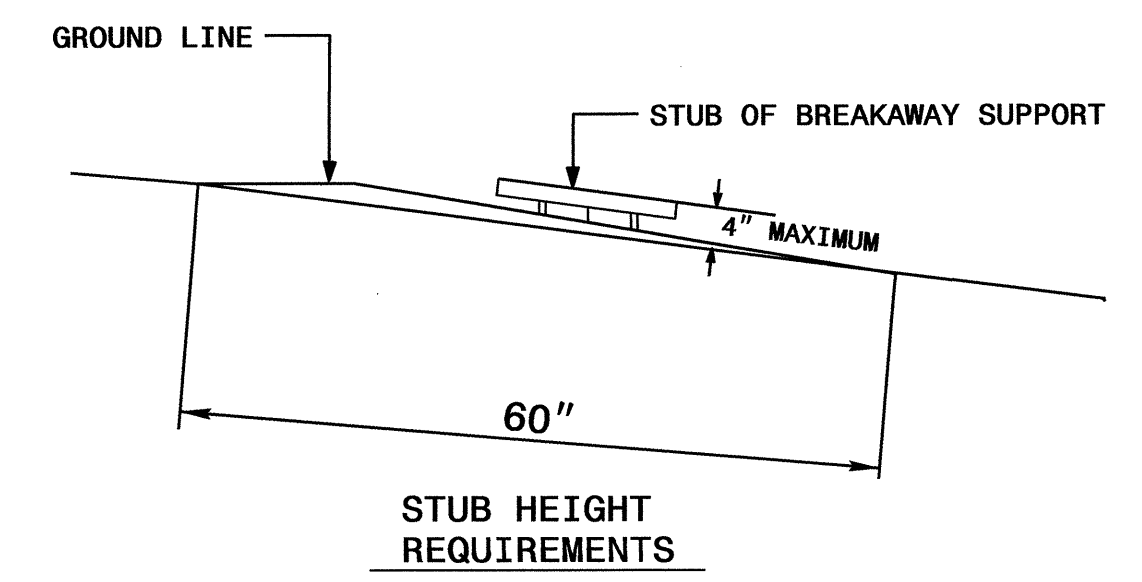
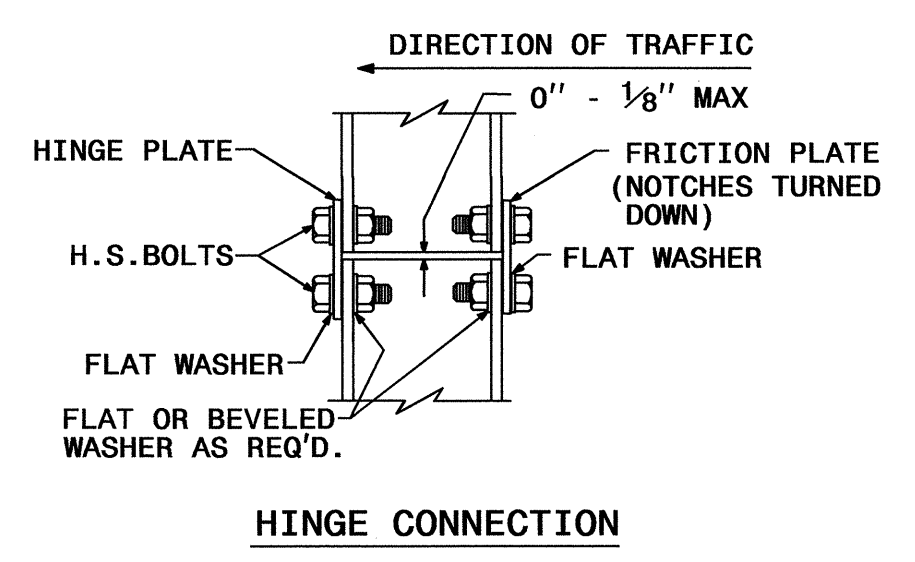
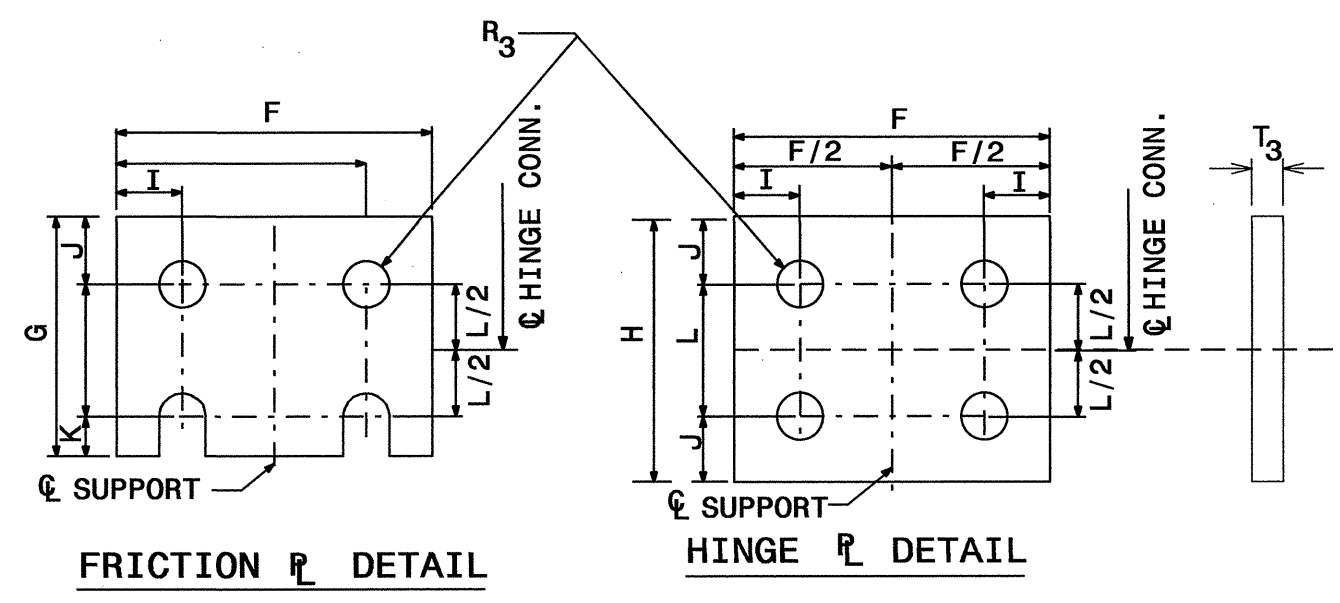
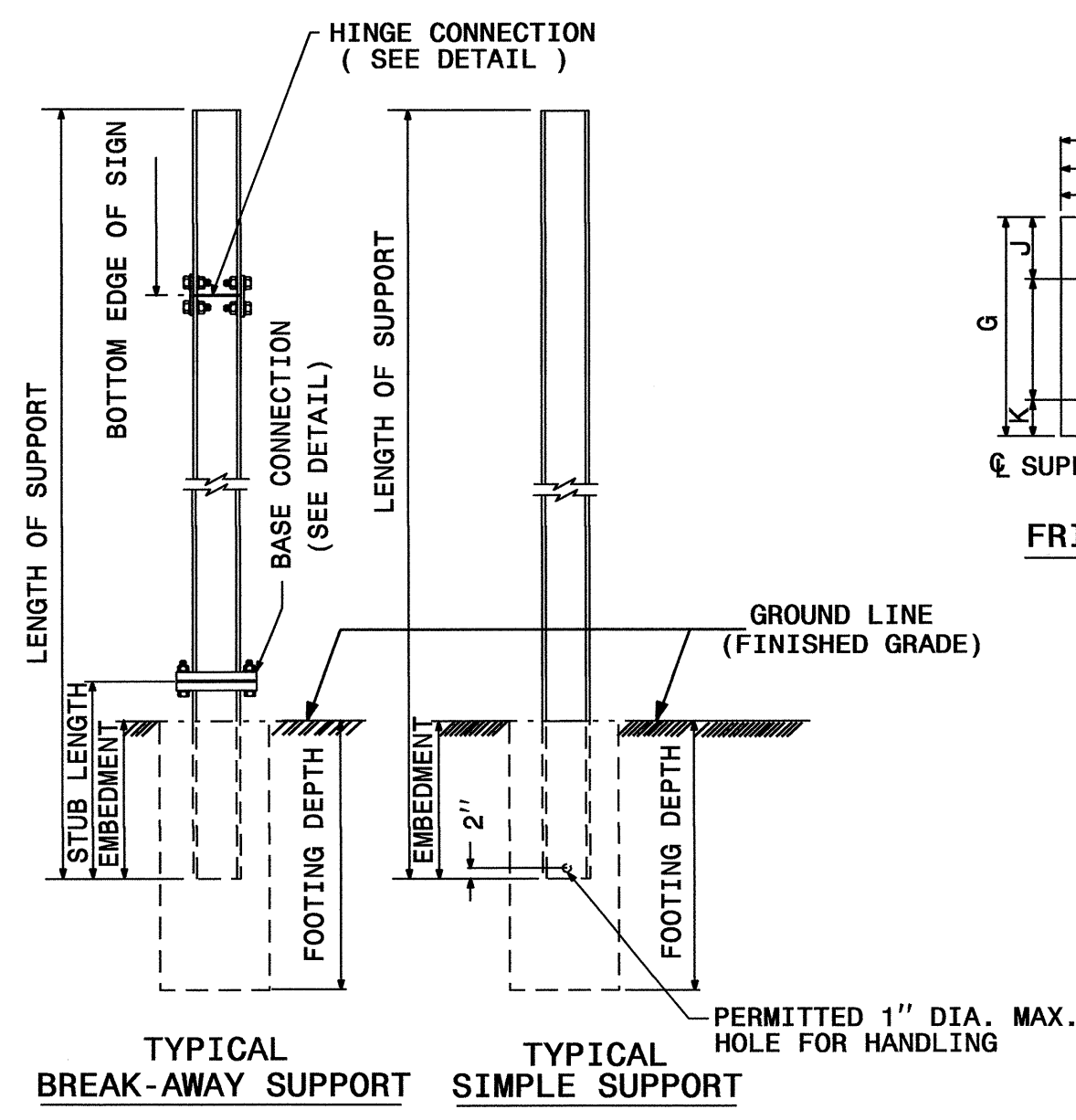


26-JUL-2013 09:37 STA:\3D\Standard\Drawings\2012 Standard Drawings\Division 9 Find\090310.sgm.sht01.dwg support.t Revised.L7-3-13.dgn

STATE OF NORTH CAROLINA
DEPT. OF TRANSPORTATION
DIVISION OF HIGHWAYS
RALEIGH, N.C.

1-12
ENGLISH STANDARD DRAWING FOR
GROUND MOUNTED SIGN SUPPORTS
SHEET 1 OF 3
903D10



SEE SHEET 2 OF 3 FOR
BASE CONNECTION DATA
HINGE CONNECTION DATA
& FOUNDATION DATA
SEE SHEET 3 OF 3 FOR
GENERAL NOTES.

1-12
STATE OF NORTH CAROLINA
DEPT. OF TRANSPORTATION
DIVISION OF HIGHWAYS
RALEIGH, N.C.

ENGLISH STANDARD DRAWING FOR
GROUND MOUNTED SIGN SUPPORTS
SHEET 1 OF 3
903D10

TIP NO.	SHEET NO.
APPROVED: <i>RW</i>	
DATE: 7/26/13	
SEAL	

REVISED SIGNING
ROADWAY STANDARD DRAWING