

STATE OF NORTH CAROLINA
DEPT. OF TRANSPORTATION
DIVISION OF HIGHWAYS
RALEIGH, N.C.

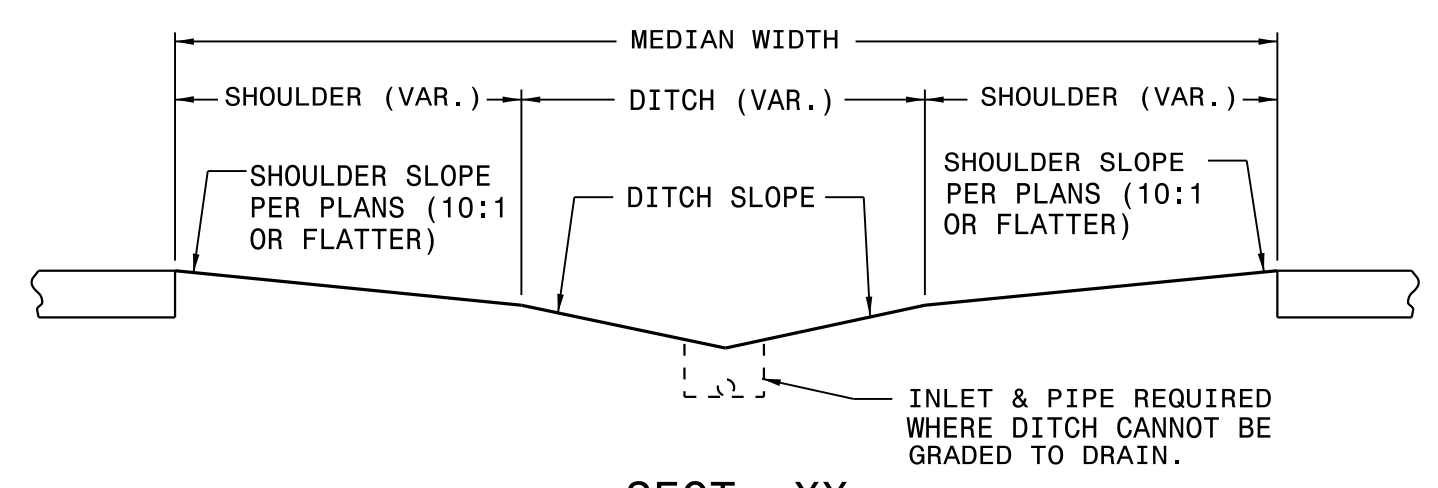
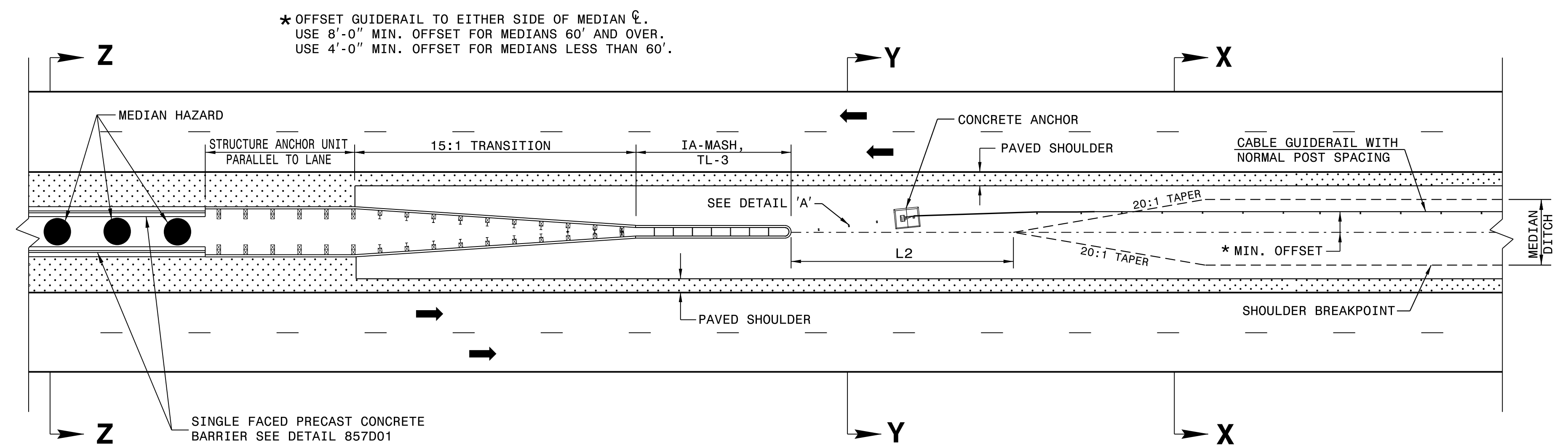
ROADWAY DETAIL DRAWING FOR
CABLE GUIDERAIL
MEDIAN HAZARD GUIDERAIL LAYOUT

SHEET 1 OF 12
865D01

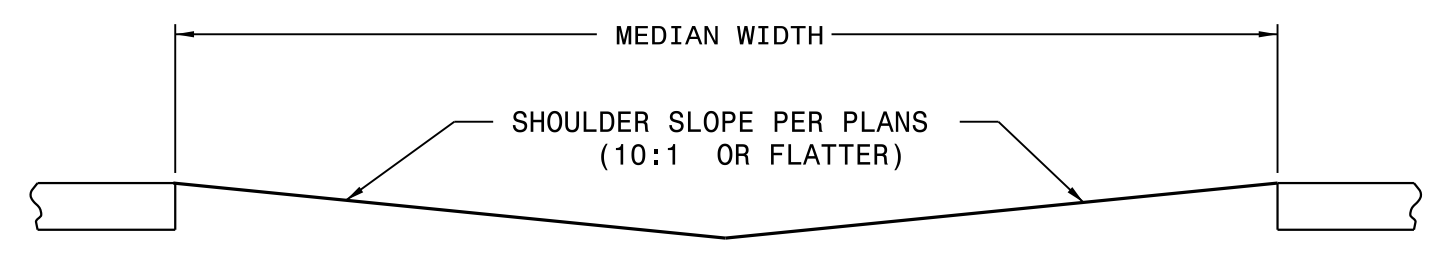
STATE OF NORTH CAROLINA
DEPT. OF TRANSPORTATION
DIVISION OF HIGHWAYS
RALEIGH, N.C.

ROADWAY DETAIL DRAWING FOR
CABLE GUIDERAIL
MEDIAN HAZARD GUIDERAIL LAYOUT

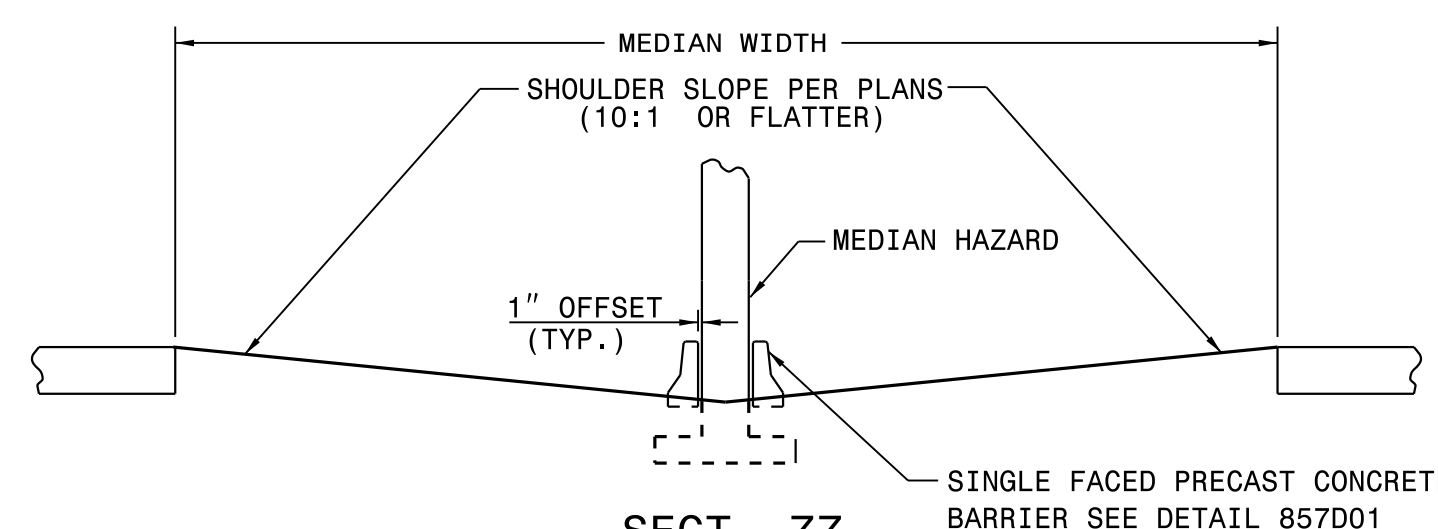
SHEET 1 OF 12
865D01



SECT. XX

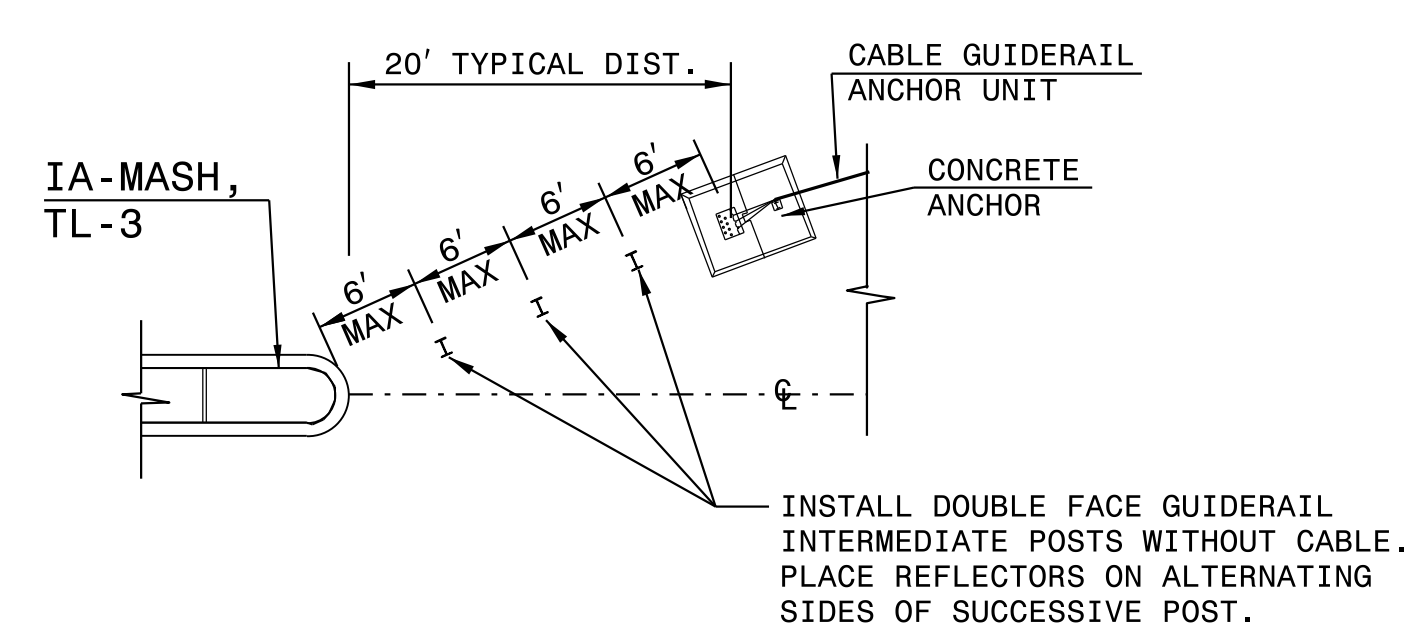


SECT. YY



SECT. ZZ

LIMITS OF -L2-	
MEDIAN WIDTH	-L2- DIMENSION
30'	80.0'
36'	60.0'
40' & ABOVE	40.0'



NOTE: POSTS WILL ONLY BE PLACED IN ONE OF THE TWO OPENINGS AT EACH MEDIAN HAZARD UNLESS OTHERWISE DIRECTED BY THE ENGINEER.

DETAIL 'A'

DETAIL OF TREATMENT AT MEDIAN HAZARDS



DOCUMENT NOT CONSIDERED FINAL
UNLESS ALL SIGNATURES COMPLETED

CONTRACT STANDARDS
AND DEVELOPMENT UNIT
Office 919-707-6950 FAX 919-250-4119

SEE TITLE BLOCK

ORIGINAL BY: J. HOWERTON DATE: 08-23-18
MODIFIED BY: DATE: _____
CHECKED BY: DATE: _____
FILE SPEC.: _____

31-JAN-2019 10:43 S:\Contracts\Contractors\Sigsbee\Standard Drawings\2018 Standard Drawings\Details in Lieu of Standards\Division 8\865D01 Impact Attenuator Sheet 1.dgn Jhowerton A1 CS0-232955