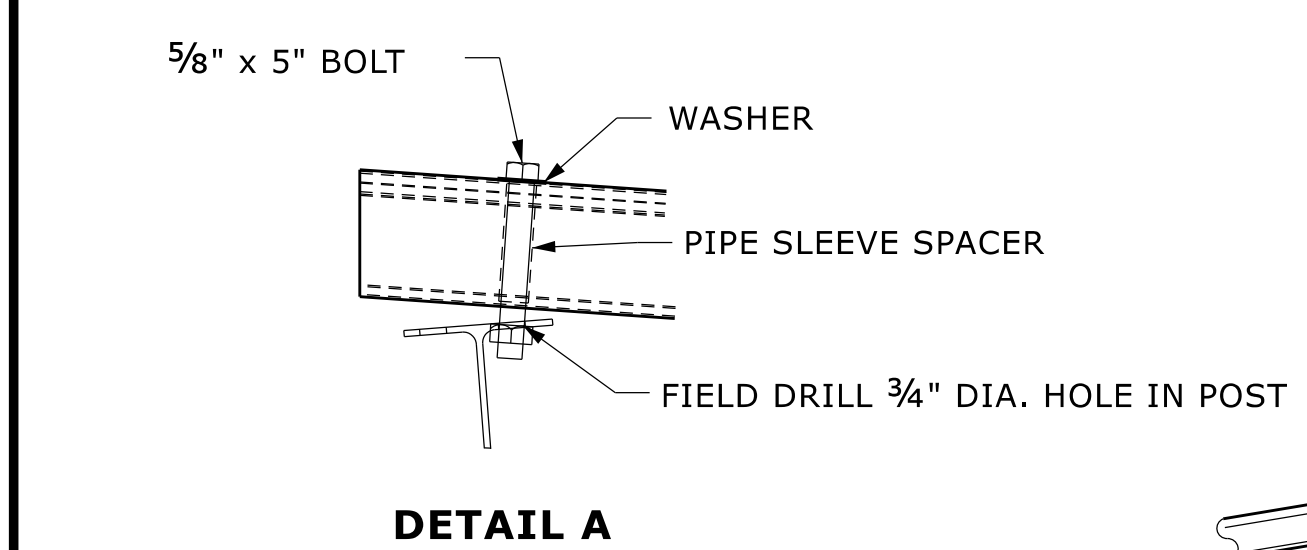
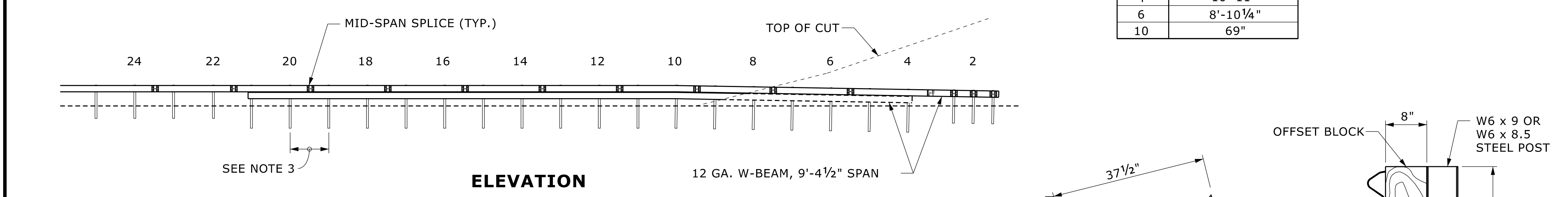
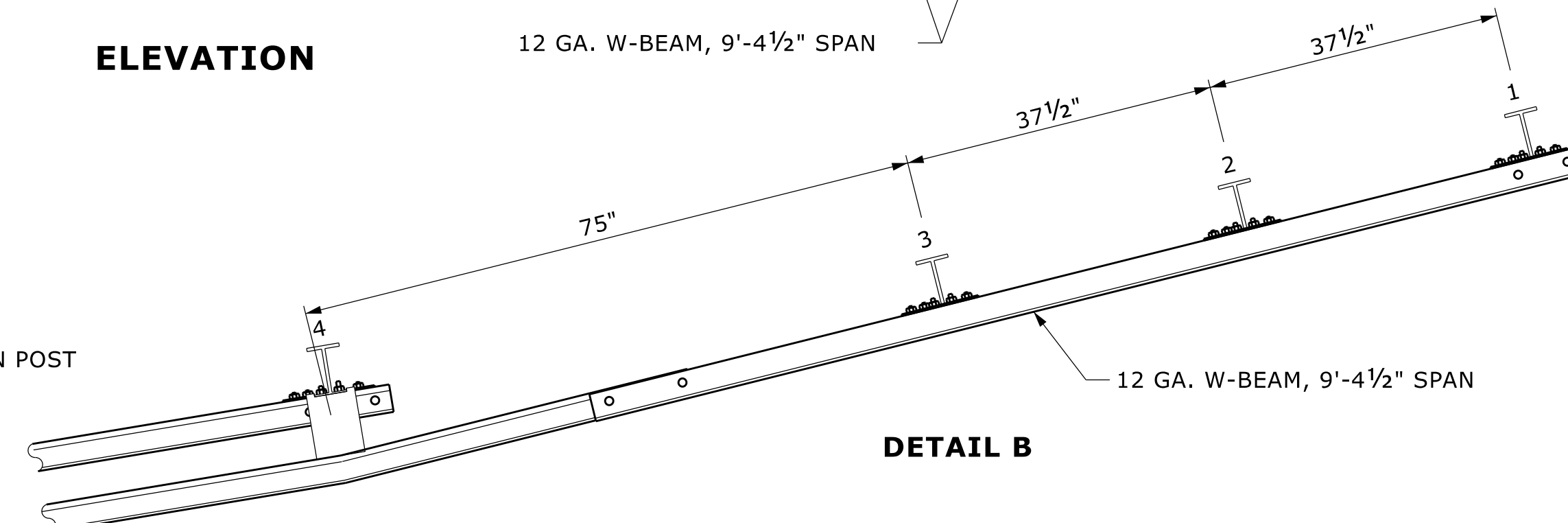


**NOTE:**  
 1. SEE DETAIL SHEET 2 OF 2 FOR OTHER DETAILS.  
 2. STEEL POSTS SHOWN.  
 3. TYPICAL POST SPACING IS 6'-3" UNLESS OTHERWISE NOTED.

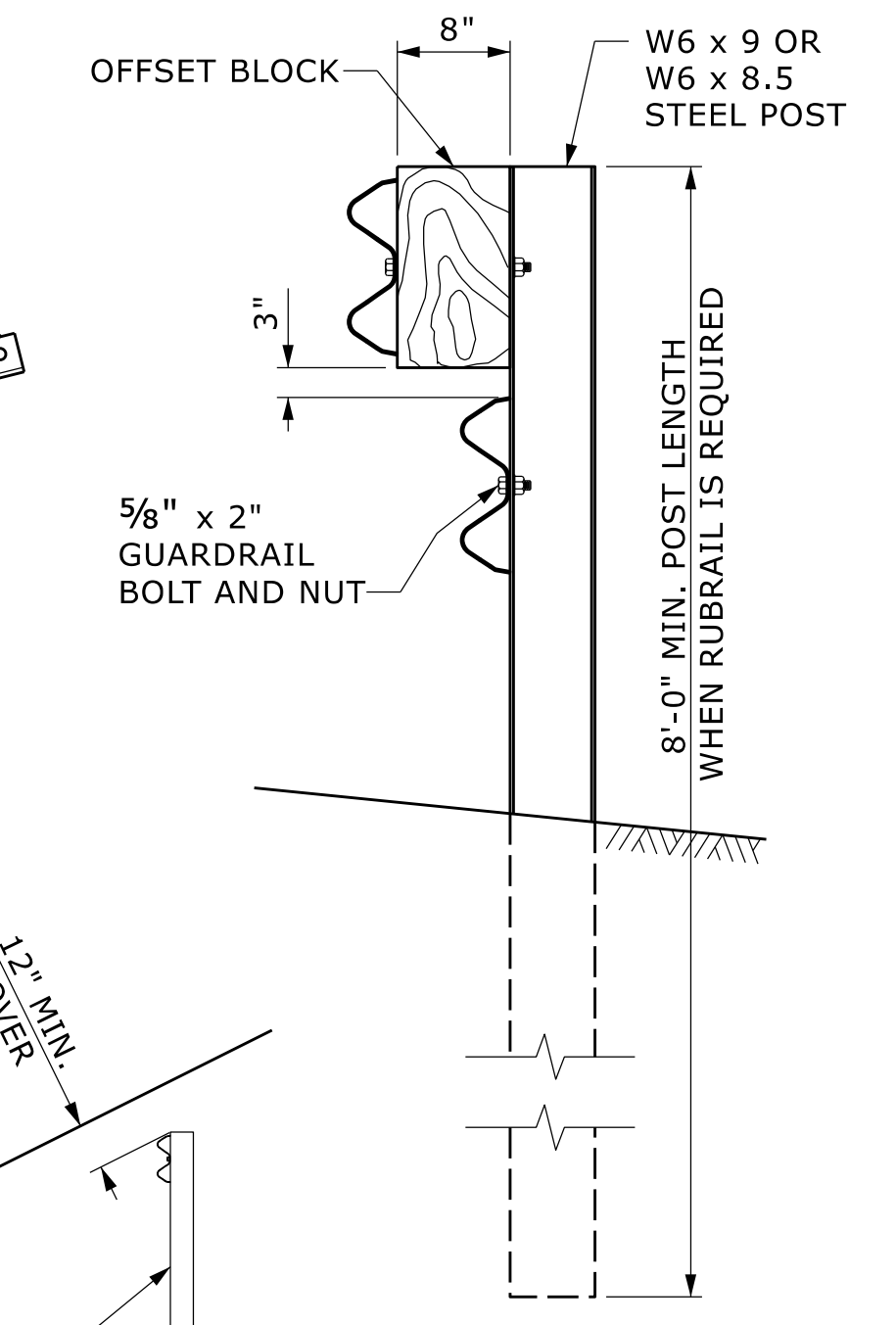
POST OFFSETS FROM EDGE OF SHOULDER	
POST	DISTANCE
1	13'-11 <sup>3</sup> / <sub>4</sub> "
4	10'-11"
6	8'-10 <sup>1</sup> / <sub>4</sub> "
10	69"



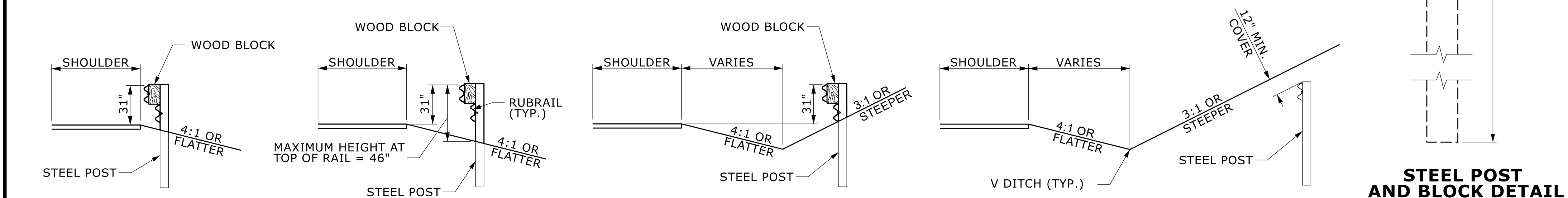
**DETAIL A**



**DETAIL B**



**STEEL POST AND BLOCK DETAIL**



**SECTION A-A**

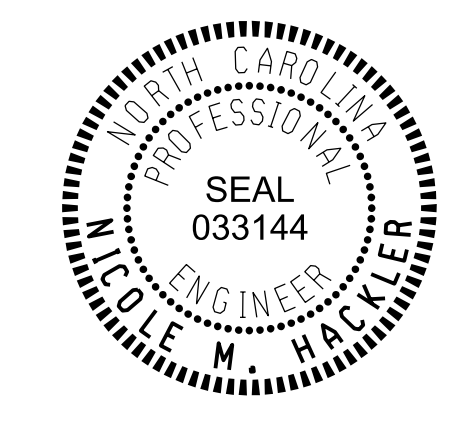
**SECTION B-B**

**SECTION C-C**

**SECTION D-D**

STATE OF NORTH CAROLINA  
 DEPT. OF TRANSPORTATION  
 DIVISION OF HIGHWAYS  
 RALEIGH, N.C.

ROADWAY DETAIL DRAWING FOR  
**GUARDRAIL PLACEMENT**  
 BURIED IN CUT END UNIT



SHEET 14 OF 15  
**862D01**

DOCUMENT NOT CONSIDERED FINAL  
 UNLESS ALL SIGNATURES COMPLETED

**CONTRACTS STANDARDS AND DEVELOPMENT UNIT**  
 Office 919-707-6950 FAX 919-250-4119

**SEE TITLE BLOCK**

ORIGINAL BY: S.CALHOUN DATE: 7-25-2024  
 MODIFIED BY: \_\_\_\_\_ DATE: \_\_\_\_\_  
 CHECKED BY: \_\_\_\_\_ DATE: \_\_\_\_\_  
 FILE SPEC.: \_\_\_\_\_