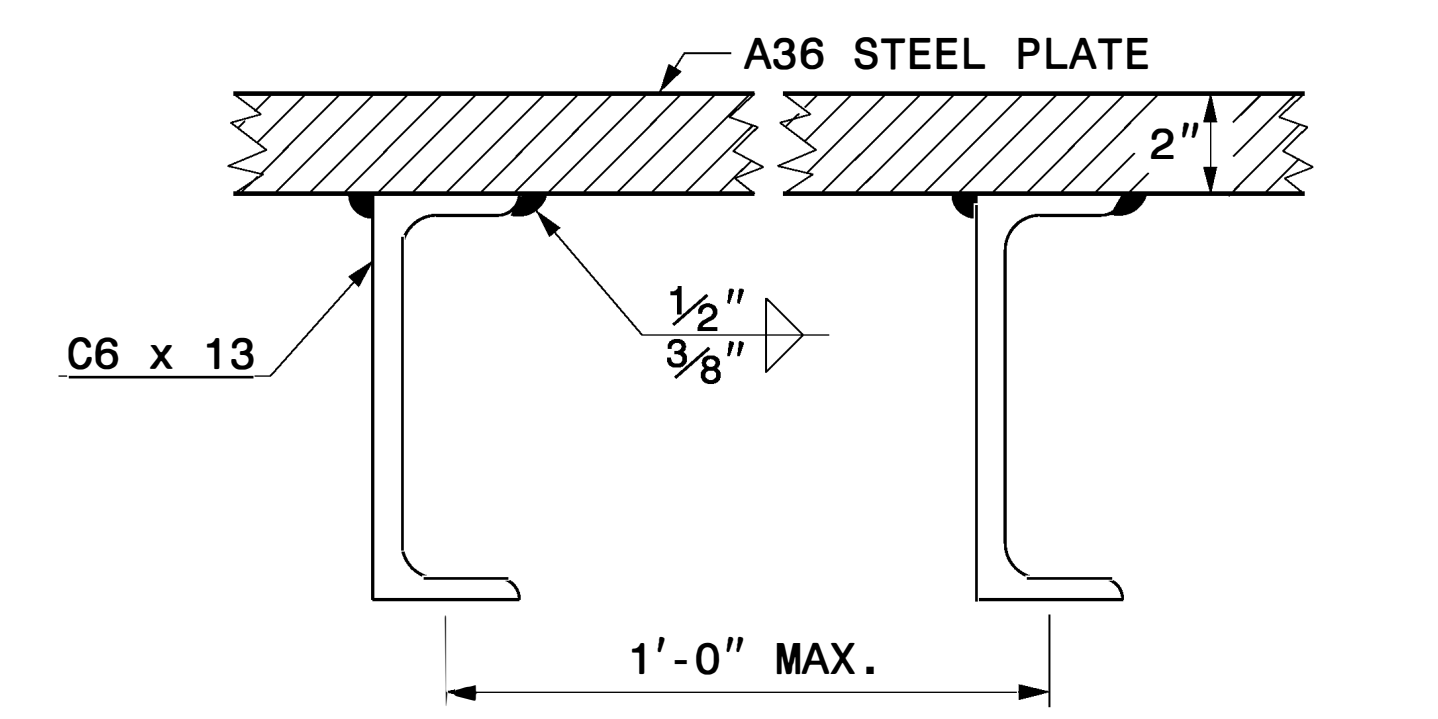
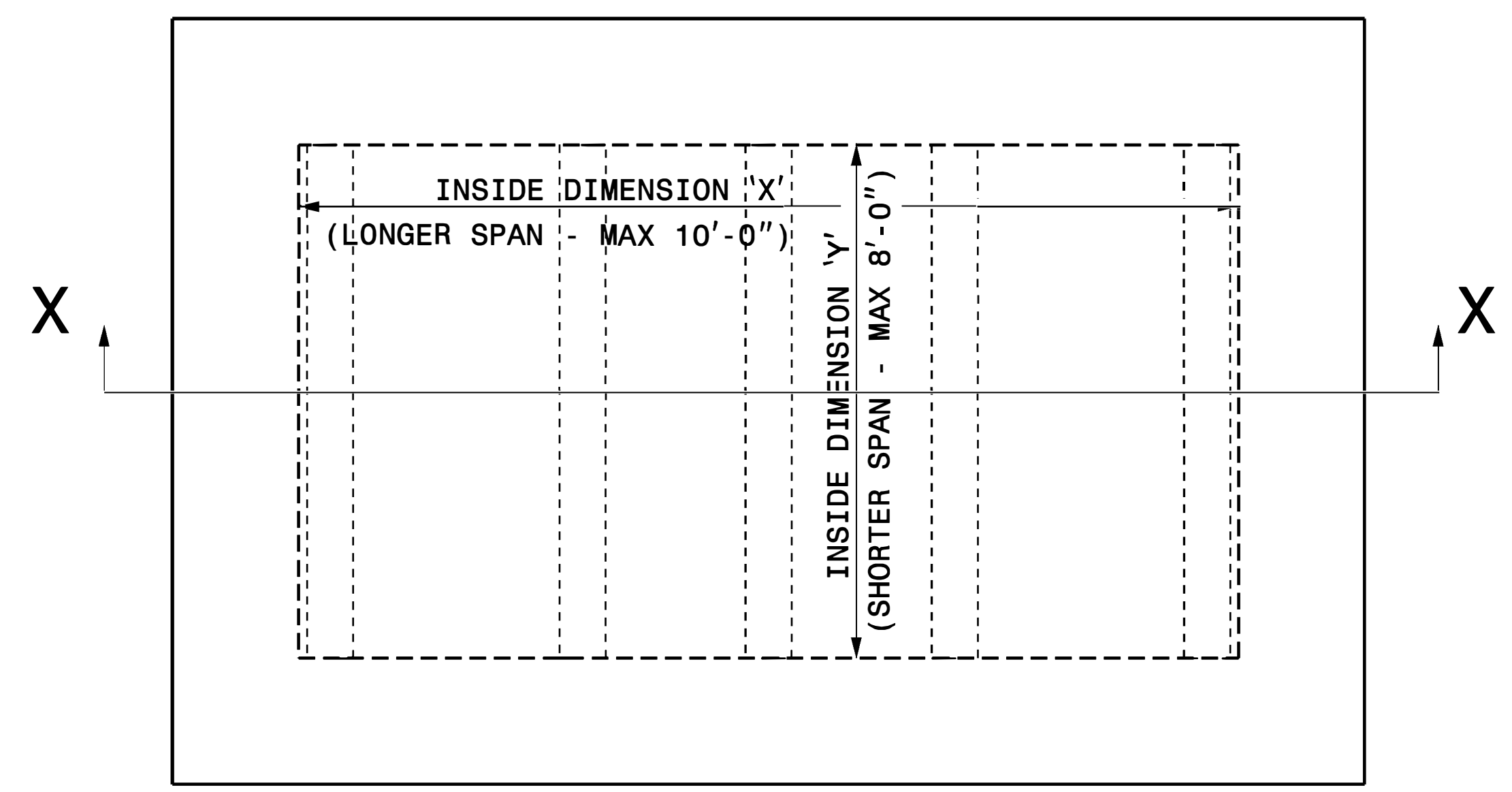


5/14/99



SECTION VIEW OF STEEL TOP PLATE
WELDS SHALL BE AS SPECIFIED BY AWS

GENERAL NOTES:

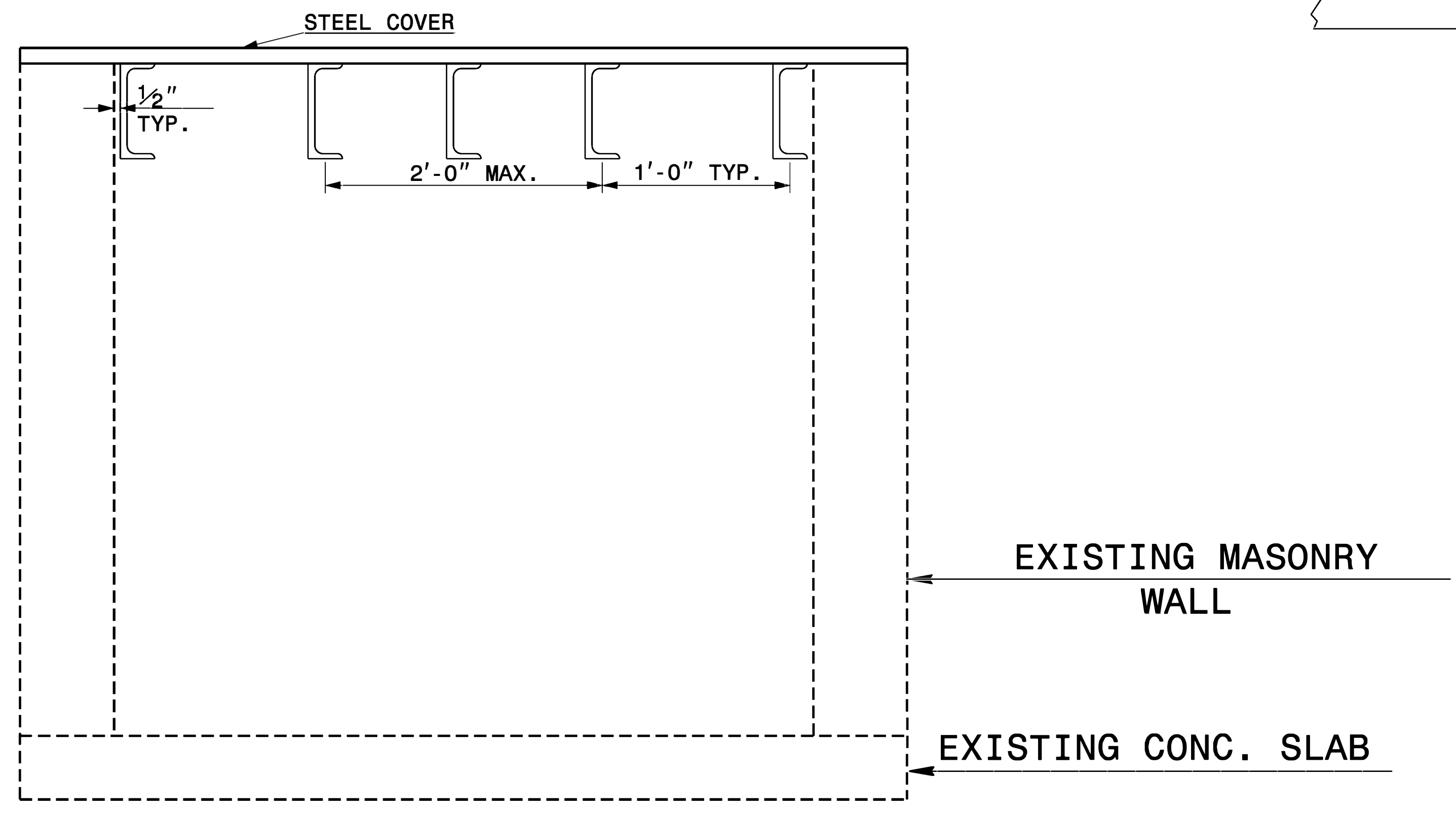
THE DIMENSIONS FOR THE EXISTING BOXES ARE APPROXIMATE AND MAY VARY SLIGHTLY.

ORIENT C CHANNELS TO RUN PERPENDICULAR TO TRAFFIC

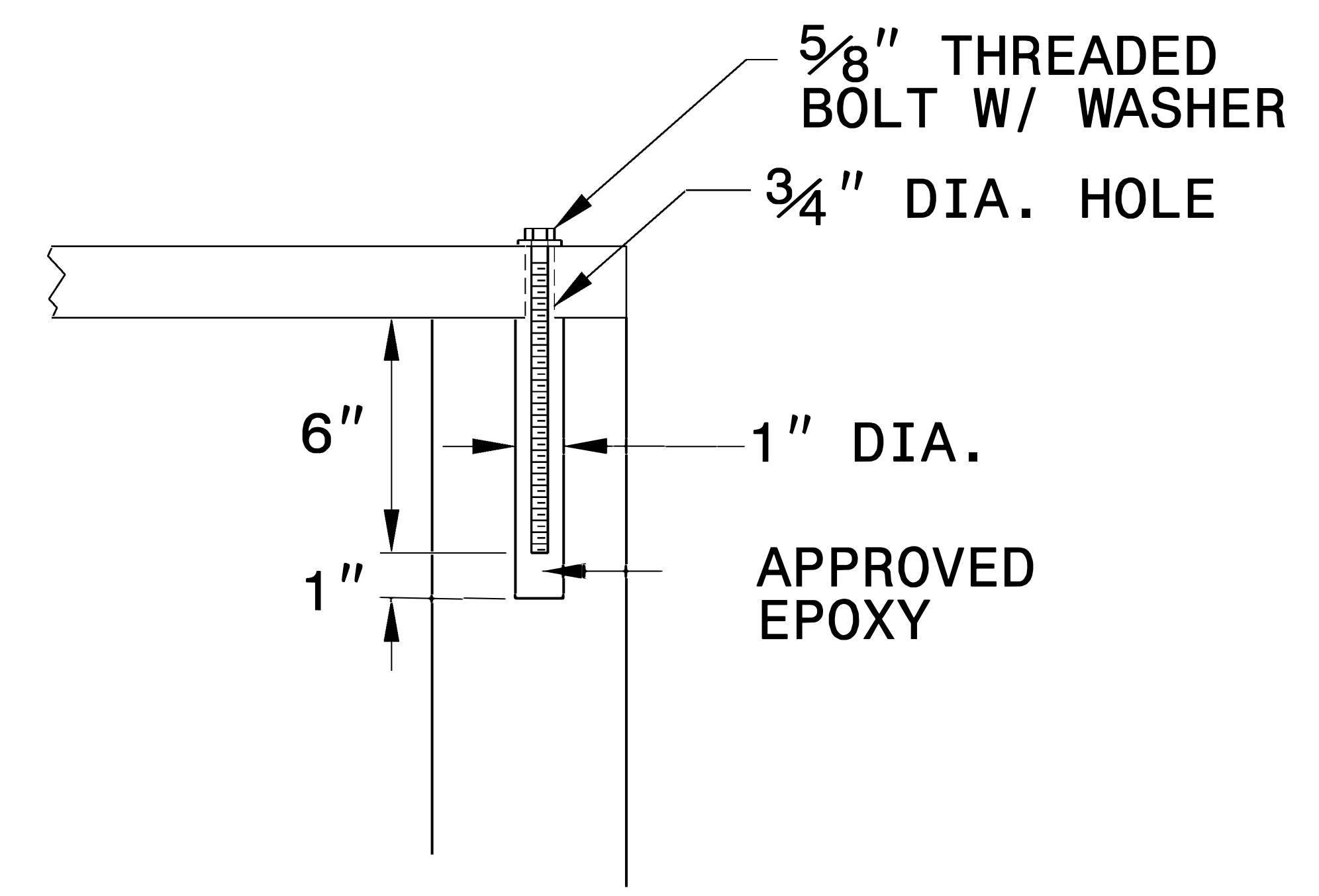
PLACE ANCHOR BOLTS IN ALL 4 CORNERS OF THE DRAINAGE STRUCTURE

ADD ANCHOR BOLTS IN THE MIDDLE OF WALLS AS DIRECTED BY THE ENGINEER

GALVANIZE STEEL PLATE, C CHANNELS AND ANCHOR BOLTS IN ACCORDANCE WITH SEC. 1076 OF THE STANDARD SPECS.



SECTION X-X



DOCUMENT NOT CONSIDERED FINAL UNLESS ALL SIGNATURES COMPLETED

CONTRACT STANDARDS & DEVELOPMENT UNIT
STANDARDS AND SPECIAL DESIGN
Office 919-707-6950 FAX 919-250-4119

DETAIL TO CONVERT EXISTING DROP INLET OR CATCH BASIN TO TBJB WITH STEEL PLATE

| | |
|--------------------|-------------|
| ORIGINAL BY: _____ | DATE: _____ |
| MODIFIED BY: _____ | DATE: _____ |
| CHECKED BY: _____ | DATE: _____ |
| FILE SPEC.: _____ | |

I8-AUG-2017 10:05 S:\Contracts\Special Details\Jhover-ton\Convert DI or CB to TBJB with Steel Cover.dgn Jhover-ton AT USD-292595